

VIN PLATE DECODING INFORMATION

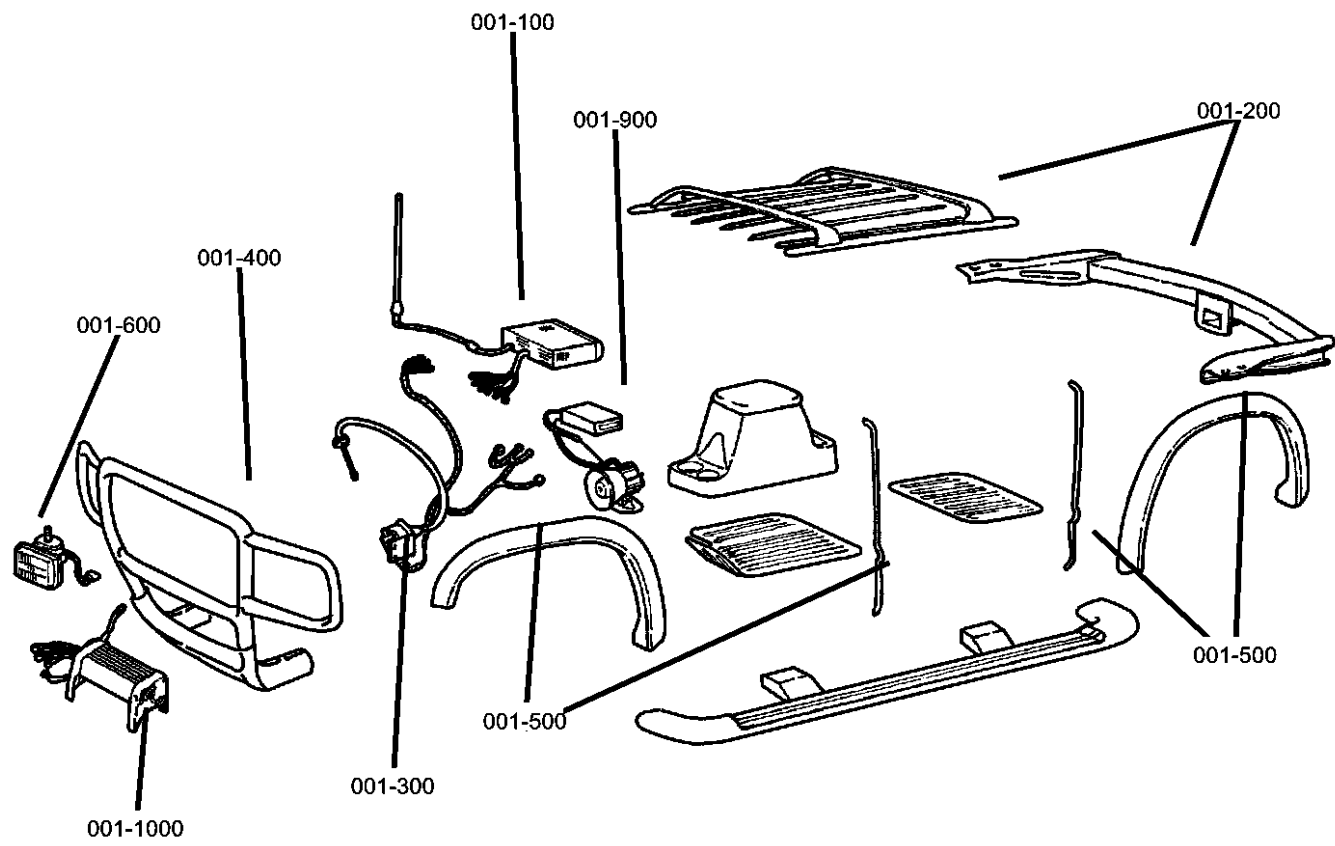
1	2	3	4	5	6	7	8	9	10	11	12 thru 17
Country	Make	Vehicle Type	Other	Line	Series	Body Style	Engine	Check Digit	Model Year	Assy. Plant	Sequence No.

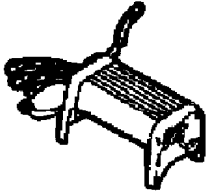

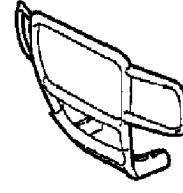
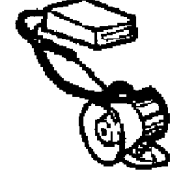
The following table interprets the VIN Plate position shown above.

Position	Interpretation	Codes = Description
1	Country of Origin	1 = Built in U.S by DaimlerChrysler Corporation
2	Assembler	J = Jeep
3	Vehicle Type	4 = Multipurpose Passenger Vehicle
4	GVWR & Pass. Safety	D = 0-1360 kg (1-3000 lbs) E = 1361-1814 kg (3001-4000 lbs) F = 1815-2267 kg (4001-5000 lbs) G = 2268-2721 kg (5001-6000 lbs) H = 2722-3175 kg (6001-7000 lbs) J = 3176-3628 kg (7001-8000 lbs) K = 3629-4082 kg (8001-9000 lbs) L = 4083-4535 kg (9001-10000 lbs) M = 4536-6350 kg (10001-14000 lbs)
5	Vehicle Line	X = Grand Cherokee 4x2 (LHD) W = Grand Cherokee 4x4 (LHD)
6	Series	4 = Laredo - High Line 5 = Limited - Premium
7	Body Style	8 = 4 Dr. Sport Utility
8	Engine	S = 4.0L 6 Cyl. Gas (ERH) N = 4.7L 8 Cyl. Gas (EVA)
9	Check Digit	0 = Check Digit 0 = Check Digit
10	Model Year	1 = 2001
11	Assembly Plant	C = Jefferson North Assembly
12 thru 17	Vehicle Build Sequence	Model Year Assembly Sequence

Group - 1

Component Parts for Mopar Accessories

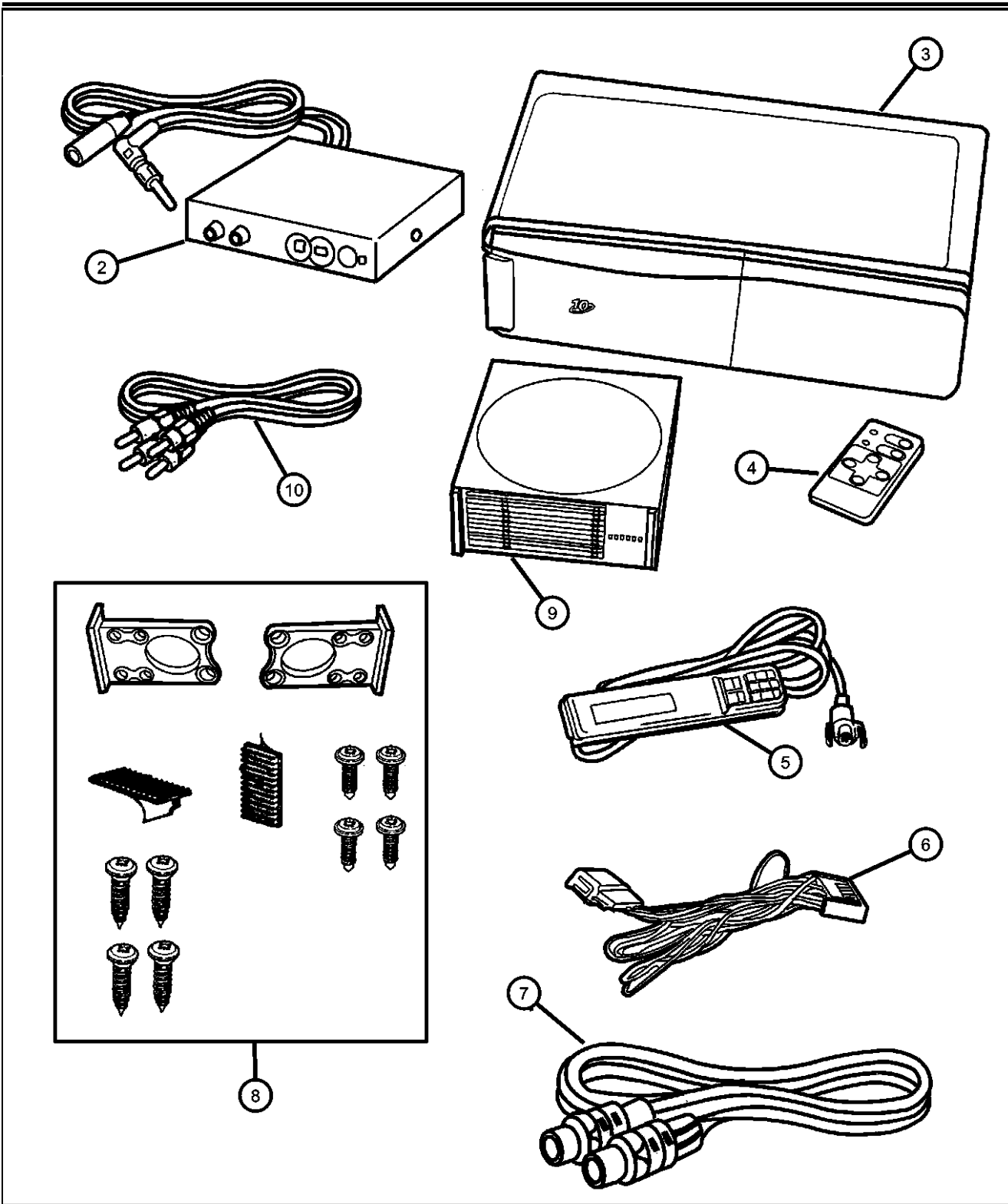


<p>001-100 Audio & Electronics</p> 	<p>001-1000 4 - Wheeling & Off Road</p> 	<p>001-200 Carriers & Cargo Hauling</p> 	<p>001-300 Driving Convenience</p> 
<p>001-400 Exterior Appearance</p> 	<p>001-500 Exterior Protection</p> 	<p>001-600 Fog Lights & Electrical</p> 	<p>001-900 Security</p> 

Group - 1 Component Parts for Mopar Accessories

Illustration Title	Group-Fig. No.
Audio & Electronics	
Player Kit - FM Modulated	Fig. 1 - 110
Player Kit	Fig. 1 - 115
Navigation Kit	Fig. 1 - 140
Speaker Kit - Sub Woofer	Fig. 1 - 150
Carriers & Cargo Hauling	
Bike Carrier - Fold Down	Fig. 1 - 210
Bike Carrier - Hitch Mount	Fig. 1 - 211
Bike Carrier - Roof Mount	Fig. 1 - 212
Bike Carrier - Roof Mount Upright	Fig. 1 - 214
Carrier Kit - Canoe	Fig. 1 - 220
Carrier Kit - Water Sports	Fig. 1 - 222
Carrier Kit - Ski Hitch Mount	Fig. 1 - 230
Carrier Kit - Ski (Two Pair)	Fig. 1 - 232
Carrier Kit - Ski (Four Pair)	Fig. 1 - 234
Carrier Kit - Ski (Six Pair)	Fig. 1 - 236
Box Kit - Storage (Interior)	Fig. 1 - 260
Utility Bar Package - Roof	Fig. 1 - 262
Carrier Kit - Multipurpose	Fig. 1 - 270
Carrier Kit - Basket Type	Fig. 1 - 272
Luggage Carrier - Roof Mount	Fig. 1 - 274
Receiver Kit - Trailer Tow	Fig. 1 - 280
Adapter Kit - Ball Mount	Fig. 1 - 282
Driving Convenience	
Mounting Kit - Cellular Phone	Fig. 1 - 310
Filter Kit - Cabin Air	Fig. 1 - 315
Exterior Appearance	
Brush Guards	Fig. 1 - 410
Grille Guards	Fig. 1 - 412
Running Boards	Fig. 1 - 430
Side Step Kit	Fig. 1 - 432
Exterior Protection	
Shield Kit, Air Front	Fig. 1 - 510
Skid Plate Package - Front	Fig. 1 - 520
Skid Plate Package - Transfer Case	Fig. 1 - 522
Fog Lights & Electrical	
Heater Kit	Fig. 1 - 610
Light Pkg - Fog	Fig. 1 - 615
Security	
Alarm - EVS Plus System	Fig. 1 - 914
4 - Wheeling & Off Road	
Guard, Rock Rails	Fig. 1 - 1010

Player Kit - FM Modulated
Figure 1-110



ITEM	PART NUMBER	QTY	LINE	SERIES	BODY	ENGINE	TRANS	TRIM	DESCRIPTION
------	-------------	-----	------	--------	------	--------	-------	------	-------------

NOTE: CD Changer sold only in Player Kit # 82204094

1	82204094	1	J, T		74				PLAYER KIT, CD Changer - 10 Disc, Consists of: RF Modulator, Power Cord w/Supression, NIN Cord, RCA Cords, Hand Held Remote, Brackets with Mounting Hardware and Operating Manual, 10 Disc Magazine, FM Modulated MODULATOR, FM Changer
2	04883248	1	J, T		74				CHANGER, CD, (NOT SERVICED)
3	04883248	1							CONTROLLER, CD Wireless
4	04883250	1	J, T		74				CONTROLLER, CD Wired
5	04883249	1	J, T		74				ADAPTOR, A/C
6	04465117AB	1	J, T		74				CABLE, Din, 5- Meter Length
7	04883251	1	J, T		74				HARDWARE KIT, Mounting
8	04883253	1	J, T		74				MAGAZINE, CD Changer, 10 Disc
9	04882371AB	1	J, T		74				CABLE, CD Changer, RCA 5-Meter Length
10	04883252	1	J, T		74				INSTALL KIT, CD Changer - Console
-11	82204864	1	J, T		74				

GRAND CHEROKEE (WJ)

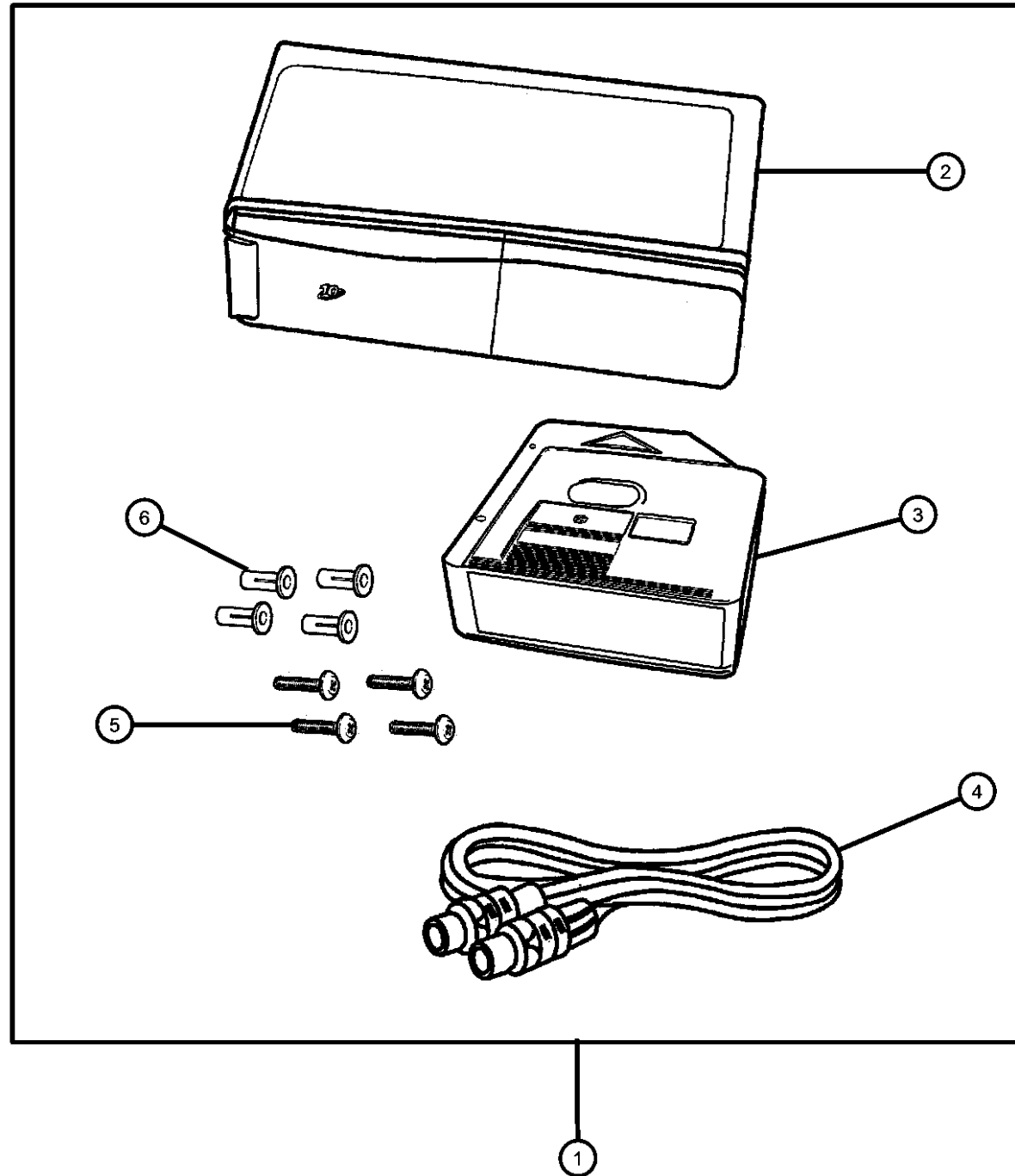
SERIES	LINE	BODY	ENGINE	TRANSMISSION
H = Laredo	T = JEEP - 2WD	74 = SPORT UTILITY 4-DR	ERH = ENGINE - 4.0L POWER TECH I-6	DGK = TRANSMISSION - 4-SPD. AUTOMATIC, 42RE
P = Limited	J = JEEP - 4WD		EVA = ENGINE- 4.7L V8 MPI	DGQ = TRANSMISSION-5SPD AUTOMATIC 5-45RFE
				DGO = ALL AUTOMATIC TRANSMISSIONS

AR = use ase required - = Non illustrated part

2001 WJ

Player Kit
Figure 1-115

ITEM	PART NUMBER	QTY	LINE	SERIES	BODY	ENGINE	TRANS	TRIM	DESCRIPTION
1	82204627	1	J, T		74				PLAYER KIT, CD Changer - 10 Disc
2	56042129AC	1	J, T		74				CHANGER, CD
3	04858564	1	J, T		74				MAGAZINE, CD Changer, 10 Disc
4	05013661AA	1	J, T		74				CABLE, Din
5	06100047	4							NUT AND WASHER, Hex Nut-Coned Washer, M6 x 1.00
6	06505002AA	4							STUD



GRAND CHEROKEE (WJ)

SERIES LINE
H = Laredo T = JEEP - 2WD
P = Limited J = JEEP - 4WD

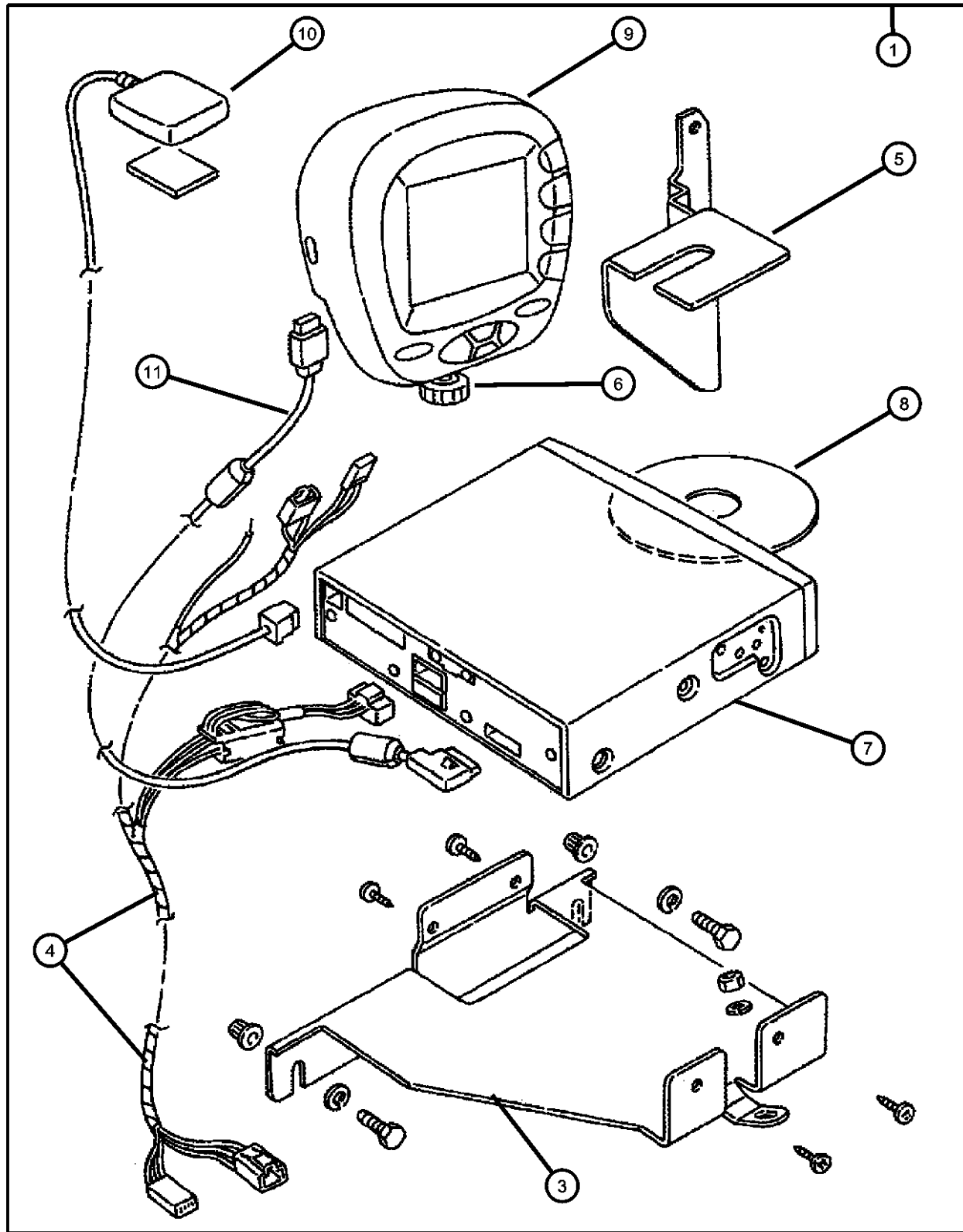
BODY
74 = SPORT UTILITY 4-DR

ENGINE
ERH = ENGINE - 4.0L
POWER TECH I-6
EVA = ENGINE- 4.7L V8 MPI

TRANSMISSION
DGK = TRANSMISSION - 4-SPD.
AUTOMATIC, 42RE
DGQ = TRANSMISSION-5SPD
AUTOMATIC 5-45RFE
DGO = ALL AUTOMATIC
TRANSMISSIONS

AR = use ase required - = Non illustrated part

Navigation Kit
Figure 1-140



ITEM	PART NUMBER	QTY	LINE	SERIES	BODY	ENGINE	TRANS	TRIM	DESCRIPTION
1									NAVIGATION KIT, Vehicle
	82205773	1	J, T		74				Western U.S.
	82205774	1	J, T		74				Central U.S.
	82205775	1	J, T		74				Eastern U.S.
-2	82203459	1	J, T		74				INSTALL KIT, Vehicle Navigation System
3	05017423AA	1	J, T		74				BRACKET, Navigation Controller, Also Serviced in Install Kit
4	05017421AA	1	J, T		74				WIRING, Navigation System, Also Serviced in Install Kit
5	05017422AA	1	J, T		74				BRACKET, Navigation Display, Also Serviced in Install Kit
6	05017422AA	1							SCREW, Thumb, Also Serviced in Install Kit, (NOT SERVICED)
7	05017419AB	1	J, T		74				CONTROLLER, Vehicle Navigation
8									COMPACT DISC, Navigation
	05017415AB	1	J, T		74				Western U.S.
	05017416AB	1	J, T		74				Central U.S.
	05017417AB	1	J, T		74				Eastern U.S.
9	05017418AA	1	J, T		74				MODULE, Navigation Display
10	05017420AA	1	J, T		74				ANTENNA, Global Positioning
11	05017433AA	1	J, T		74				WIRING, Navigation Display

GRAND CHEROKEE (WJ)

SERIES LINE
H = Laredo T = JEEP - 2WD
P = Limited J = JEEP - 4WD

BODY
74 = SPORT UTILITY 4-DR

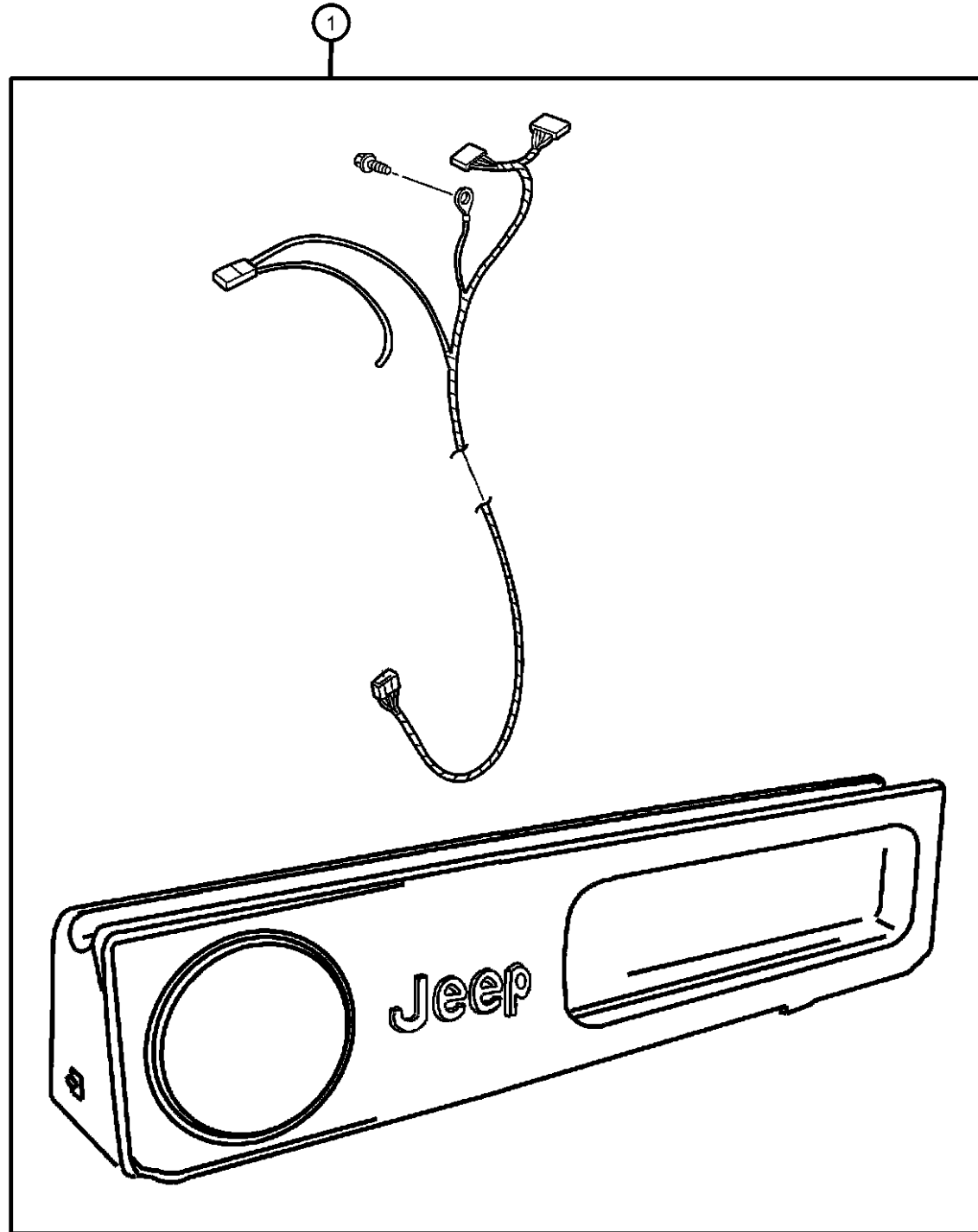
ENGINE
ERH = ENGINE - 4.0L
POWER TECH I-6
EVA = ENGINE- 4.7L V8 MPI

TRANSMISSION
DGK = TRANSMISSION - 4-SPD.
AUTOMATIC, 42RE
DGQ = TRANSMISSION-5SPD
AUTOMATIC 5-45RFE
DGO = ALL AUTOMATIC
TRANSMISSIONS

AR = use ase required - = Non illustrated part

2001 WJ

Speaker Kit - Sub Woofer
Figure 1-150



ITEM	PART NUMBER	QTY	LINE	SERIES	BODY	ENGINE	TRANS	TRIM	DESCRIPTION
------	-------------	-----	------	--------	------	--------	-------	------	-------------

NOTE: Package contains wiring and attaching hardware

1									SPEAKER KIT, Sub Woofer
	82205263	1	J, T		74				Agate
	82205264	1	J, T		74				Camel
	82205265	1	J, T		74				Taupe
-2	05017101AA	1			74				SPEAKER KIT, Subwoofer
-3	05017103AA	1			74				AMPLIFIER, Subwoofer

GRAND CHEROKEE (WJ)

SERIES LINE
H = Laredo T = JEEP - 2WD
P = Limited J = JEEP - 4WD

BODY
74 = SPORT UTILITY 4-DR

ENGINE
ERH = ENGINE - 4.0L
POWER TECH I-6
EVA = ENGINE- 4.7L V8 MPI

TRANSMISSION
DGK = TRANSMISSION - 4-SPD.
AUTOMATIC, 42RE
DGQ = TRANSMISSION-5SPD
AUTOMATIC 5-45RFE
DGO = ALL AUTOMATIC
TRANSMISSIONS

AR = use ase required - = Non illustrated part

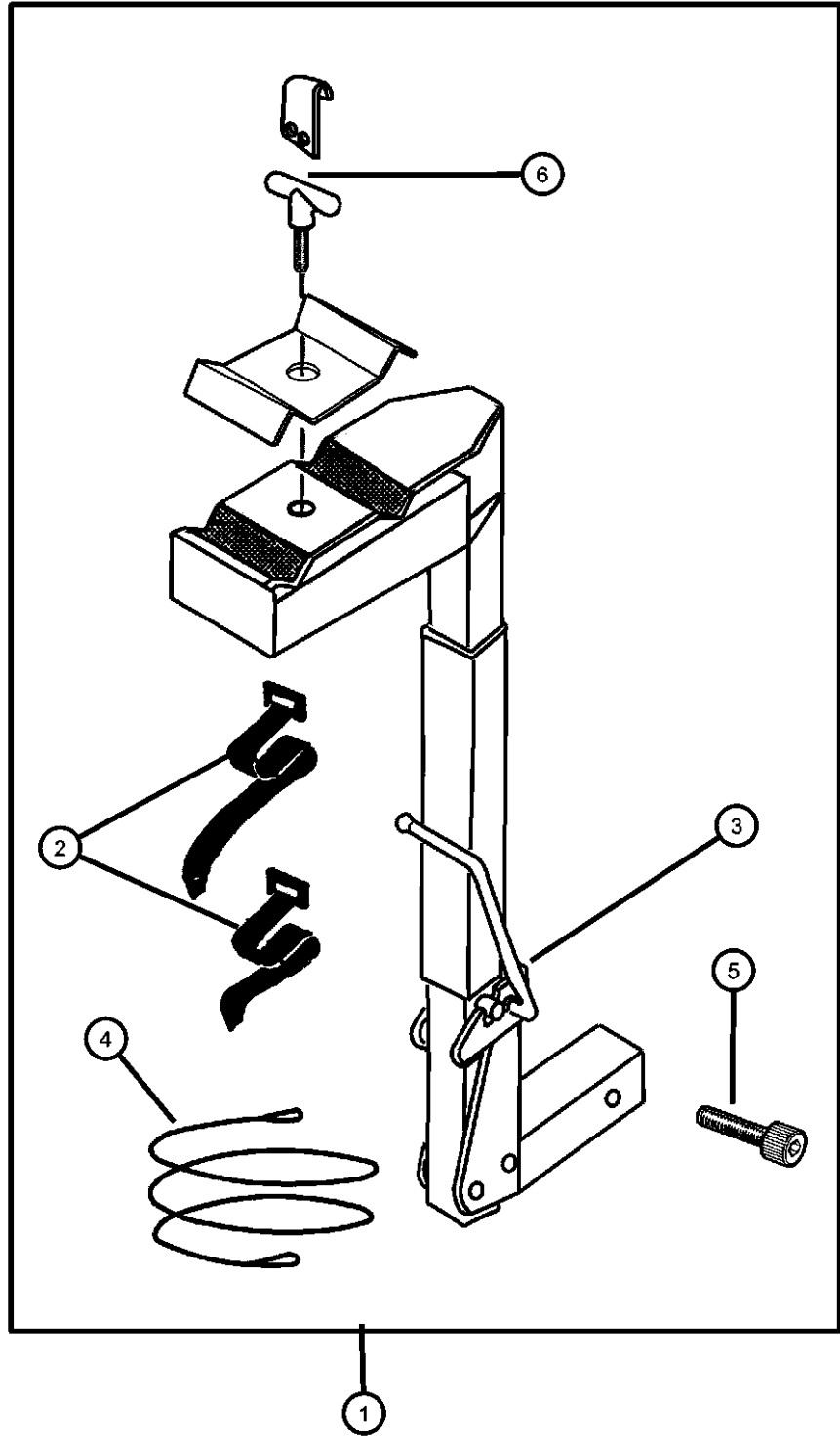
2001 WJ

Bike Carrier - Fold Down
Figure 1-210

ITEM	PART NUMBER	QTY	LINE	SERIES	BODY	ENGINE	TRANS	TRIM	DESCRIPTION
------	-------------	-----	------	--------	------	--------	-------	------	-------------

NOTE: Folds down for access to rear hatch, has anti theft bolts.

1	82204453	1	J, T		74				CARRIER KIT, Bike
2	04762880	1	J, T		74				STRAP KIT, Velcro, Consists of: 1-Long and 1-Short Strap
3	04762881	1	J, T		74				STRAP KIT, Bike Carrier Latch, Consists of: 1- Rubber Strap
4	04762882	1	J, T		74				LOCK KIT, Bike Carrier Handle
5	05016776AA	1	J, T		74				BOLT KIT, Security
6	05016657AA	1	J, T		74				HARDWARE KIT, Accessory, T-Handle



GRAND CHEROKEE (WJ)

SERIES	LINE
H = Laredo	T = JEEP - 2WD
P = Limited	J = JEEP - 4WD

BODY
74 = SPORT UTILITY 4-DR

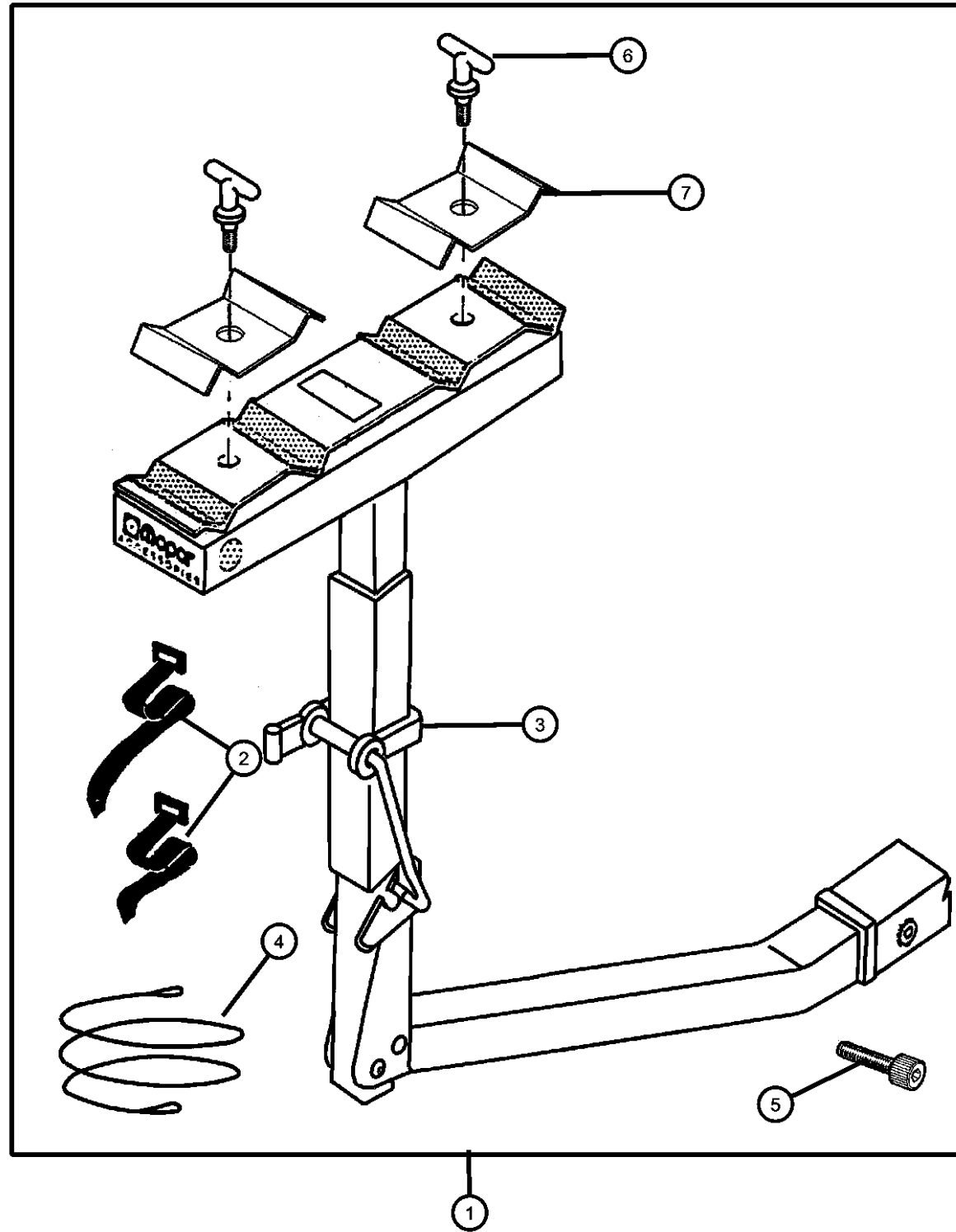
ENGINE
ERH = ENGINE - 4.0L POWER TECH I-6
EVA = ENGINE- 4.7L V8 MPI

TRANSMISSION
DGK = TRANSMISSION - 4-SPD. AUTOMATIC, 42RE
DGQ = TRANSMISSION-5SPD AUTOMATIC 5-45RFE
DGO = ALL AUTOMATIC TRANSMISSIONS

AR = use ase required - = Non illustrated part

2001 WJ

Bike Carrier - Hitch Mount
Figure 1-211



ITEM	PART NUMBER	QTY	LINE	SERIES	BODY	ENGINE	TRANS	TRIM	DESCRIPTION
1	82204328	1	J, T		74				CARRIER KIT, Bike, 2-Inch hitch opening, Four Bike
2	04762880	1	J, T		74				STRAP KIT, Velcro, Consists of: 1-Long and 1- Short
3	05016775AA	1	J, T		74				STRAP KIT, Bike Carrier Latch, Consists of: 2- Rubber Straps
4	04762882	1	J, T		74				LOCK KIT, Bike Carrier Handle
5	05016776AA	1	J, T		74				BOLT KIT, Security, Consists of: 1-Security Bolt, 1-Security Wrench, washer and nut. For use with a 2 inch Receiver.
6	05016657AA	1	J, T		74				HARDWARE KIT, Accessory, T-Handle
7	05016657AA	1	J, T		74				HARDWARE KIT, Accessory, Top Clamp -82204328 uses Two Total

GRAND CHEROKEE (WJ)

SERIES LINE
H = Laredo T = JEEP - 2WD
P = Limited J = JEEP - 4WD

BODY
74 = SPORT UTILITY 4-DR

ENGINE
ERH = ENGINE - 4.0L
POWER TECH I-6
EVA = ENGINE- 4.7L V8 MPI

TRANSMISSION
DGK = TRANSMISSION - 4-SPD.
AUTOMATIC, 42RE
DGQ = TRANSMISSION-5SPD
AUTOMATIC 5-45RFE
DGO = ALL AUTOMATIC
TRANSMISSIONS

AR = use ase required - = Non illustrated part

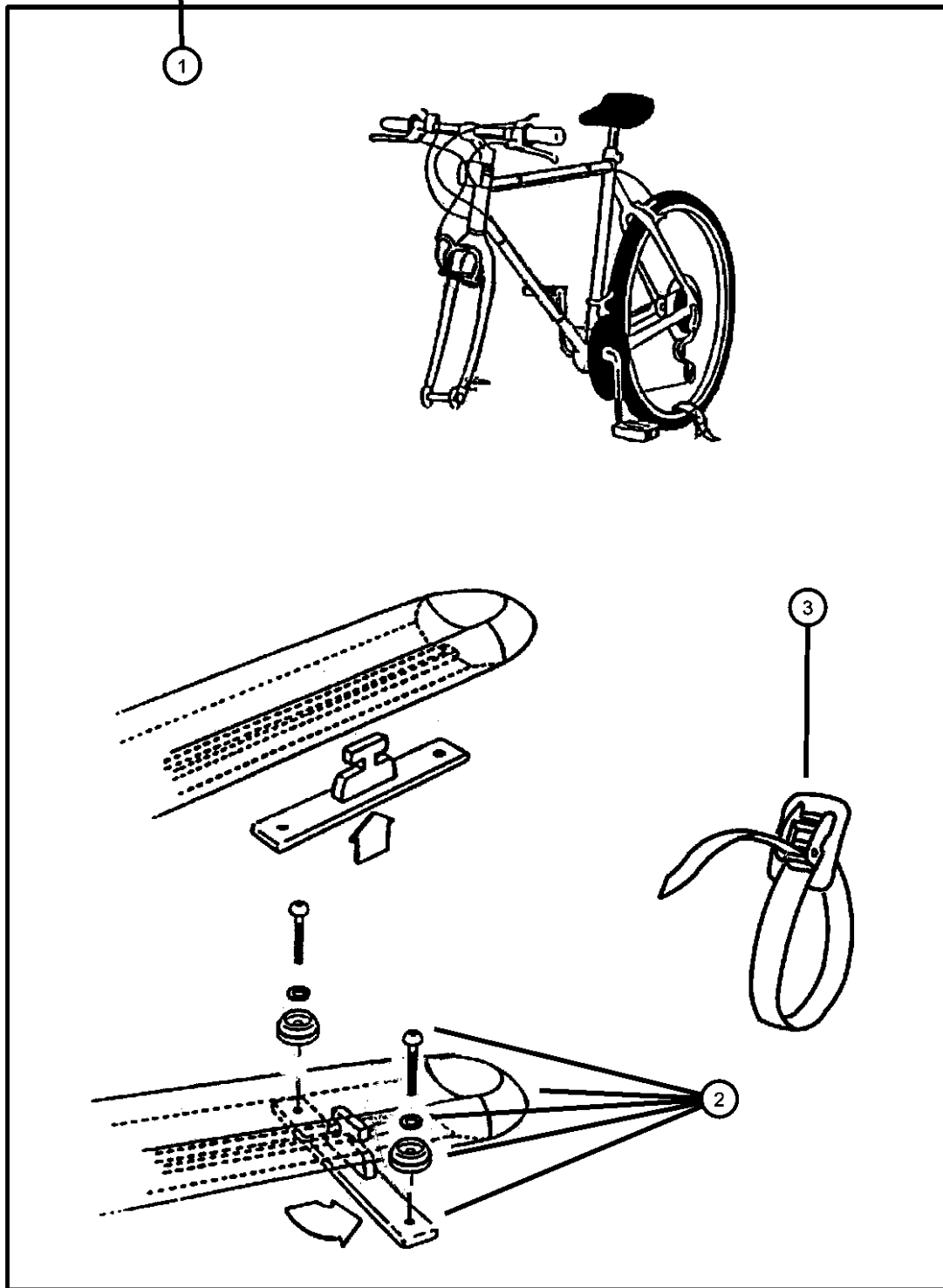
2001 WJ

Bike Carrier - Roof Mount
Figure 1-212

ITEM	PART NUMBER	QTY	LINE	SERIES	BODY	ENGINE	TRANS	TRIM	DESCRIPTION
------	-------------	-----	------	--------	------	--------	-------	------	-------------

NOTE: Hardware Kit also contained in Carrier Kit.

1	82300585	1	J, T		74				CARRIER KIT, Bike, Fork - Mount
2	05016512AA	1	J, T		74				HARDWARE KIT, Accessory
3	05016513AA	1	J, T		74				STRAP, Cargo Tie Down



GRAND CHEROKEE (WJ)

SERIES	LINE	BODY	ENGINE	TRANSMISSION
H = Laredo	T = JEEP - 2WD	74 = SPORT UTILITY 4-DR	ERH = ENGINE - 4.0L POWER TECH I-6	DGK = TRANSMISSION - 4-SPD. AUTOMATIC, 42RE
P = Limited	J = JEEP - 4WD		EVA = ENGINE- 4.7L V8 MPI	DGQ = TRANSMISSION-5SPD AUTOMATIC 5-45RFE DGO = ALL AUTOMATIC TRANSMISSIONS

AR = use ase required - = Non illustrated part

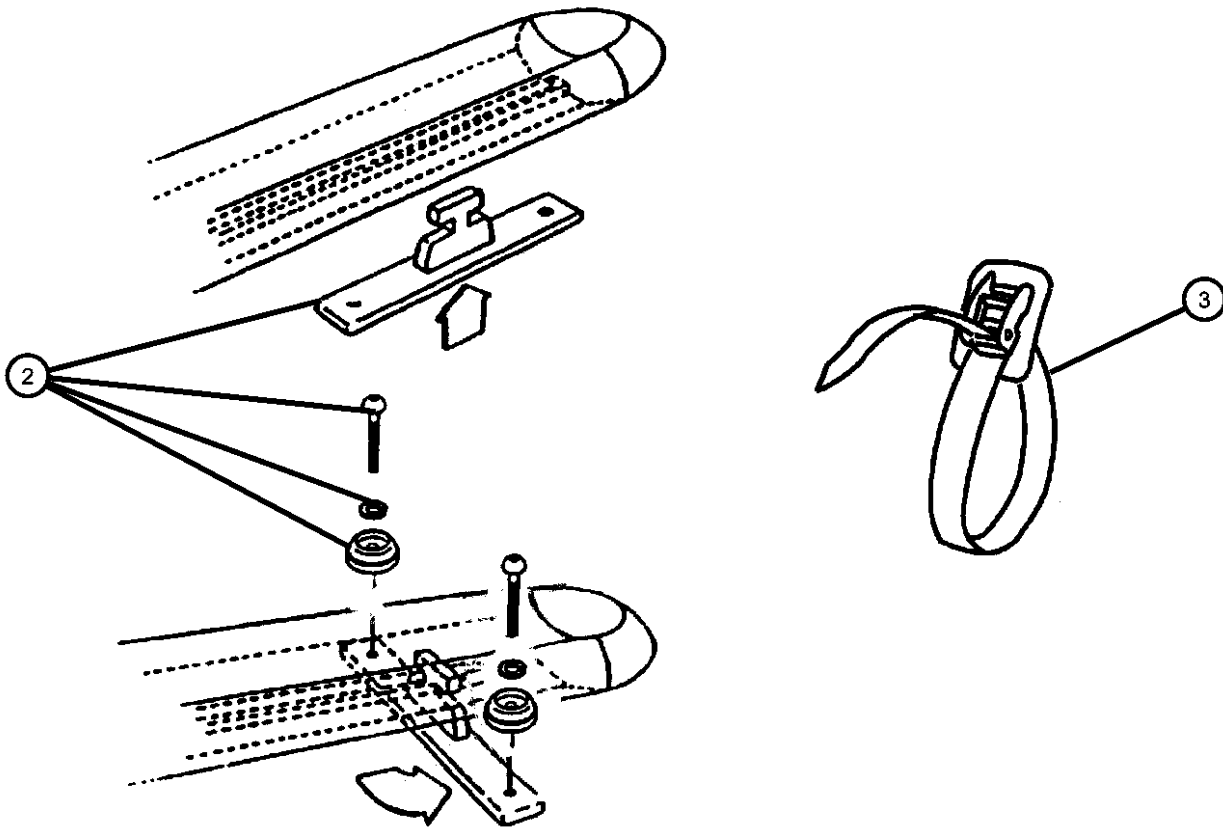
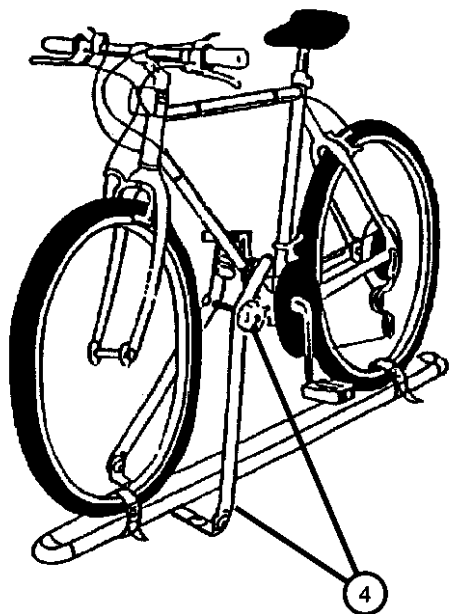
2001 WJ

Bike Carrier - Roof Mount Upright
Figure 1-214

ITEM	PART NUMBER	QTY	LINE	SERIES	BODY	ENGINE	TRANS	TRIM	DESCRIPTION
------	-------------	-----	------	--------	------	--------	-------	------	-------------

NOTE: Kit has Upright Clamp for Bike

1	82203471	1	J, T		74				CARRIER KIT, Bike
2	05016512AA	1	J, T		74				HARDWARE KIT, Accessory
3	05016513AA	1	J, T		74				STRAP, Cargo Tie Down
4	05018194AA	1	J, T		74				HARDWARE KIT, Bike Carrier

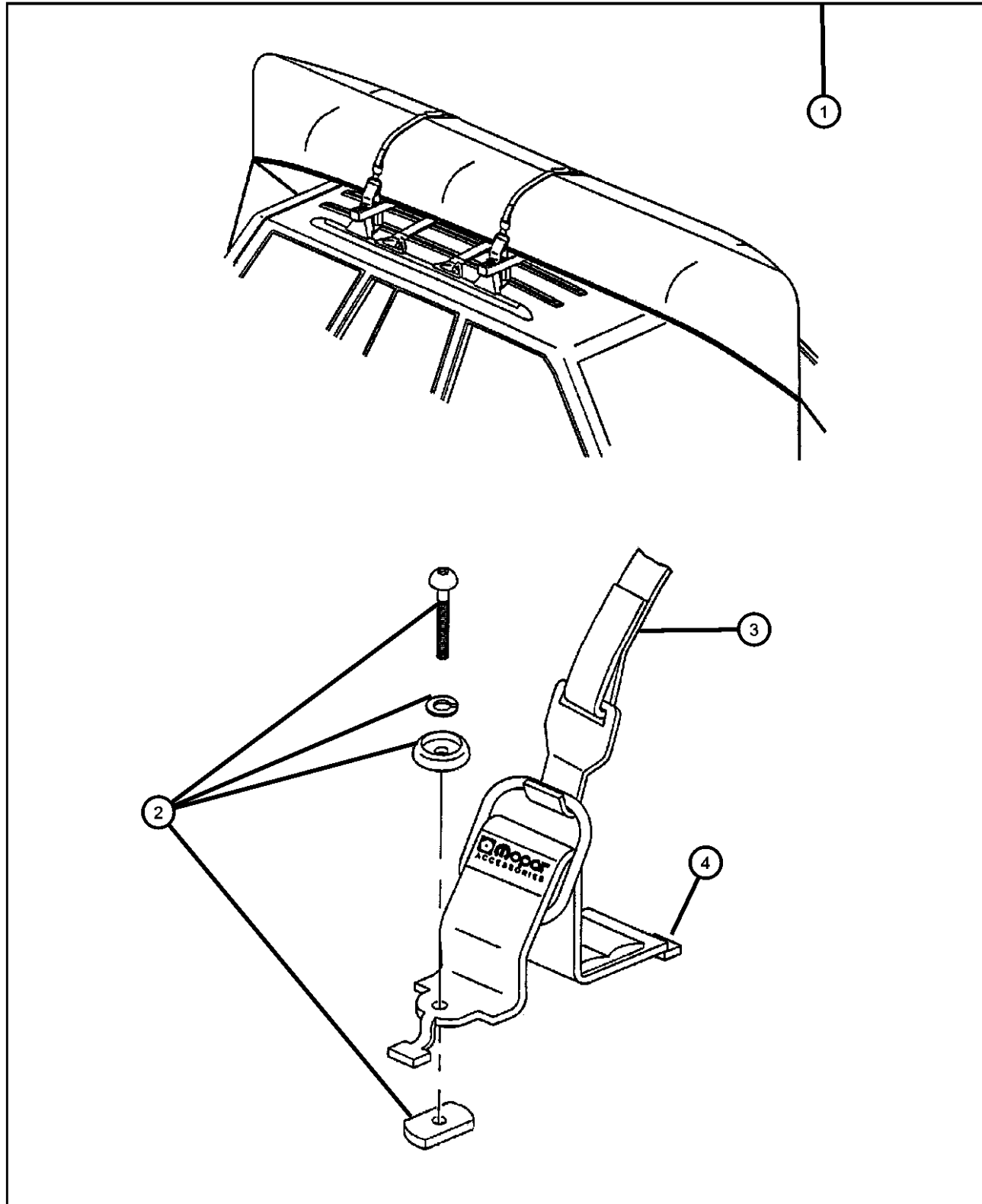


GRAND CHEROKEE (WJ)

SERIES	LINE	BODY	ENGINE	TRANSMISSION
H = Laredo	T = JEEP - 2WD	74 = SPORT UTILITY 4-DR	ERH = ENGINE - 4.0L POWER TECH I-6 EVA = ENGINE- 4.7L V8 MPI	DGK = TRANSMISSION - 4-SPD. AUTOMATIC, 42RE DGQ = TRANSMISSION-5SPD AUTOMATIC 5-45RFE DGO = ALL AUTOMATIC TRANSMISSIONS
P = Limited	J = JEEP - 4WD			

AR = use ase required - = Non illustrated part

Carrier Kit - Canoe
Figure 1-220



ITEM	PART NUMBER	QTY	LINE	SERIES	BODY	ENGINE	TRANS	TRIM	DESCRIPTION
NOTE: Use only with Sport Utility Bar									
NOTE: Hardware Kit also contained in Carrier Kit									
1	82204700	1	J, T		74				CARRIER KIT, Water Sports
2	05016389AA	1	J, T		74				HARDWARE KIT, Accessory
3	05016511AA	1	J, T		74				STRAP, Cargo Tie Down
4	05016510AA	1	J, T		74				BRACKET, Cargo Tie Down

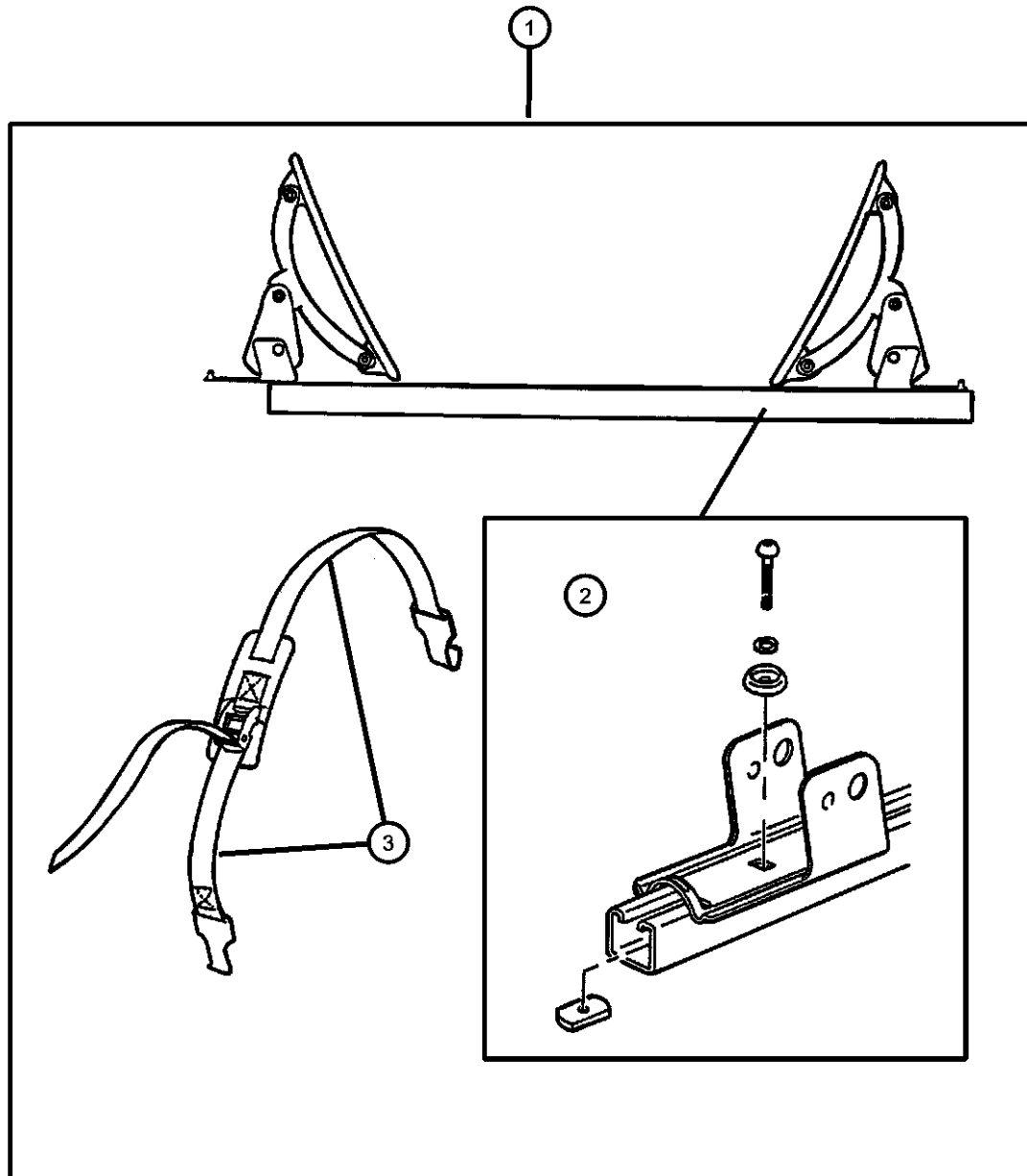
GRAND CHEROKEE (WJ)

SERIES	LINE	BODY	ENGINE	TRANSMISSION
H = Laredo	T = JEEP - 2WD	74 = SPORT UTILITY 4-DR	ERH = ENGINE - 4.0L POWER TECH I-6	DGK = TRANSMISSION - 4-SPD. AUTOMATIC, 42RE
P = Limited	J = JEEP - 4WD		EVA = ENGINE- 4.7L V8 MPI	DGQ = TRANSMISSION-5SPD AUTOMATIC 5-45RFE DGO = ALL AUTOMATIC TRANSMISSIONS

AR = use ase required - = Non illustrated part

Carrier Kit - Water Sports
Figure 1-222

ITEM	PART NUMBER	QTY	LINE	SERIES	BODY	ENGINE	TRANS	TRIM	DESCRIPTION
1	82204701	1	J, T		74				CARRIER KIT, Water Sports
2	05016389AA	1	J, T		74				HARDWARE KIT, Accessory, Consists of: 4-25MM Button Head Screws, 4-30MM Button Head Screws, 4-Lock Washers,4-Dome Washers, 4-Rubber Washers and 4-T-Nuts
3	05016511AA	1	J, T		74				STRAP, Cargo Tie Down



GRAND CHEROKEE (WJ)

SERIES LINE
H = Laredo T = JEEP - 2WD
P = Limited J = JEEP - 4WD

BODY
74 = SPORT UTILITY 4-DR

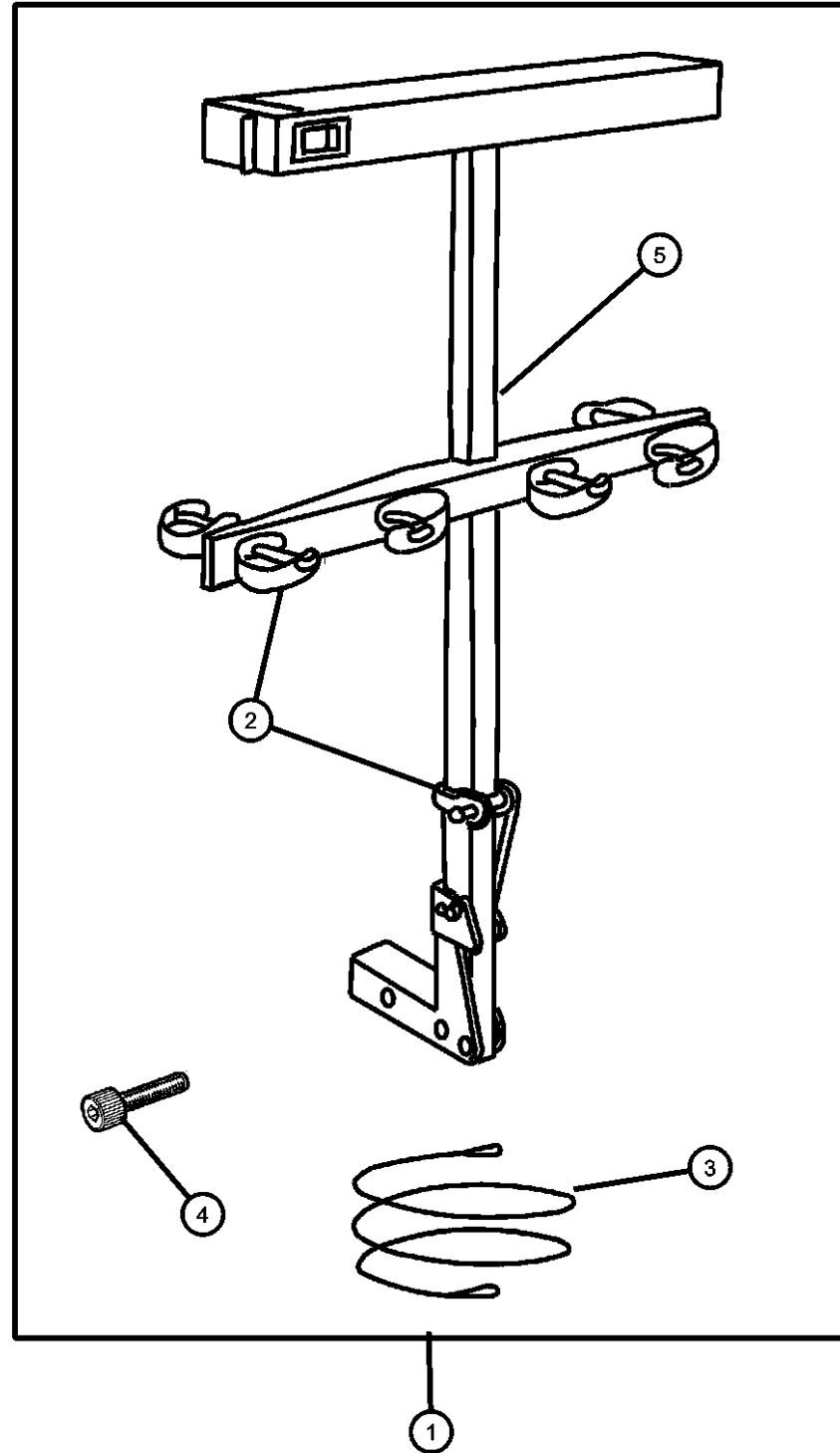
ENGINE
ERH = ENGINE - 4.0L
POWER TECH I-6
EVA = ENGINE- 4.7L V8 MPI

TRANSMISSION
DGK = TRANSMISSION - 4-SPD.
AUTOMATIC, 42RE
DGQ = TRANSMISSION-5SPD
AUTOMATIC 5-45RFE
DGO = ALL AUTOMATIC
TRANSMISSIONS

AR = use ase required - = Non illustrated part

2001 WJ

Carrier Kit - Ski Hitch Mount
Figure 1-230



ITEM	PART NUMBER	QTY	LINE	SERIES	BODY	ENGINE	TRANS	TRIM	DESCRIPTION
1	82204455	1	J, T		74				CARRIER KIT, Ski - 4 Pair, 2' Receiver
2	04762881	1	J, T		74				STRAP KIT, Bike Carrier Latch, Consists of: 1- Rubber Strap
3	04762882	1	J, T		74				LOCK KIT, Bike Carrier Handle
4	05016776AA	1	J, T		74				BOLT KIT, Security, Consists of: 1-Security Bolt, 1- Security Wrench, 1- Washer and Nut
5	05016610AA	1	J, T		74				HARDWARE KIT, Accessory, T-Handle

GRAND CHEROKEE (WJ)

SERIES	LINE
H = Laredo	T = JEEP - 2WD
P = Limited	J = JEEP - 4WD

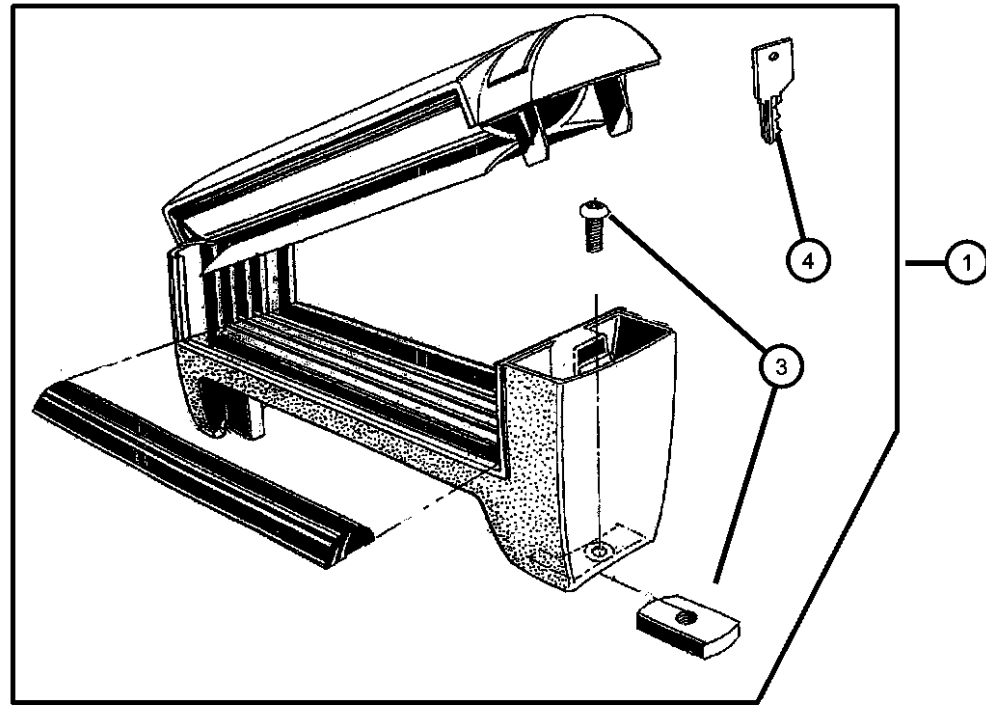
BODY
74 = SPORT UTILITY 4-DR

ENGINE
ERH = ENGINE - 4.0L POWER TECH I-6
EVA = ENGINE- 4.7L V8 MPI

TRANSMISSION
DGK = TRANSMISSION - 4-SPD. AUTOMATIC, 42RE
DGQ = TRANSMISSION-5SPD AUTOMATIC 5-45RFE
DGO = ALL AUTOMATIC TRANSMISSIONS

AR = use ase required - = Non illustrated part

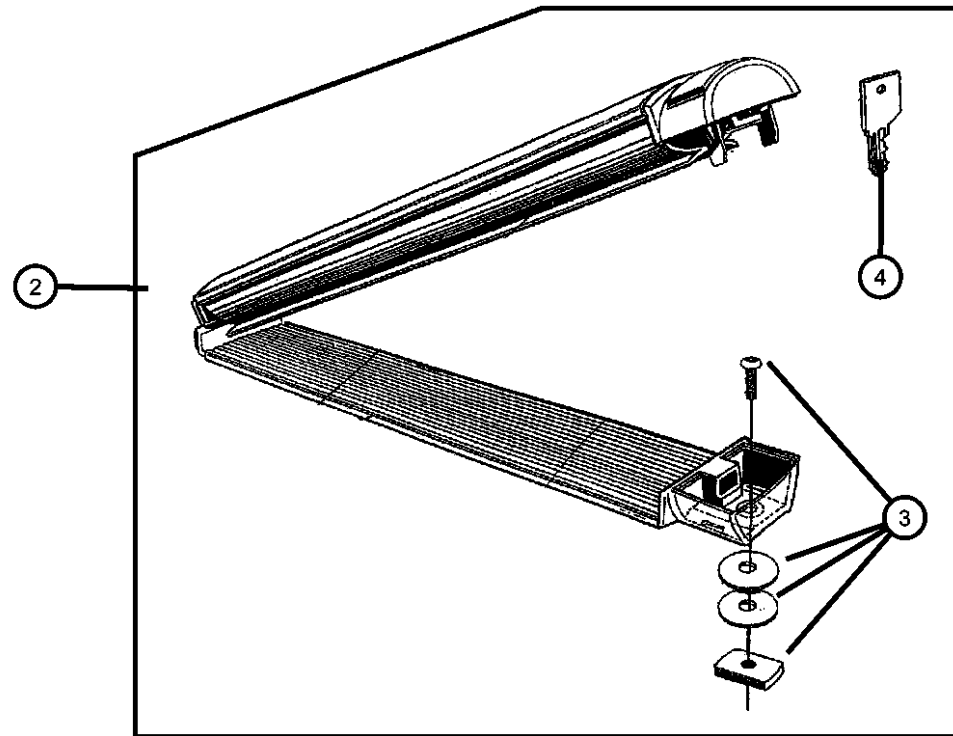
Carrier Kit - Ski (Two Pair)
Figure 1-232



ITEM	PART NUMBER	QTY	LINE	SERIES	BODY	ENGINE	TRANS	TRIM	DESCRIPTION
------	-------------	-----	------	--------	------	--------	-------	------	-------------

NOTE: New keys are Vendor Ship Direct.

1	82203474	1							CARRIER KIT, Ski - 2 Pair, High Mount
2	82203472	1							CARRIER KIT, Ski
3	05018389AA	1							HARDWARE KIT, Mounting High Mount
	05019077AA	1							
4	05019077AA	1							KEY, Master, (NOT SERVICED)
-5	05016513AA	1	J, T					74	STRAP, Cargo Tie Down



GRAND CHEROKEE (WJ)

SERIES LINE
H = Laredo T = JEEP - 2WD
P = Limited J = JEEP - 4WD

BODY
74 = SPORT UTILITY 4-DR

ENGINE
ERH = ENGINE - 4.0L
POWER TECH I-6
EVA = ENGINE- 4.7L V8 MPI

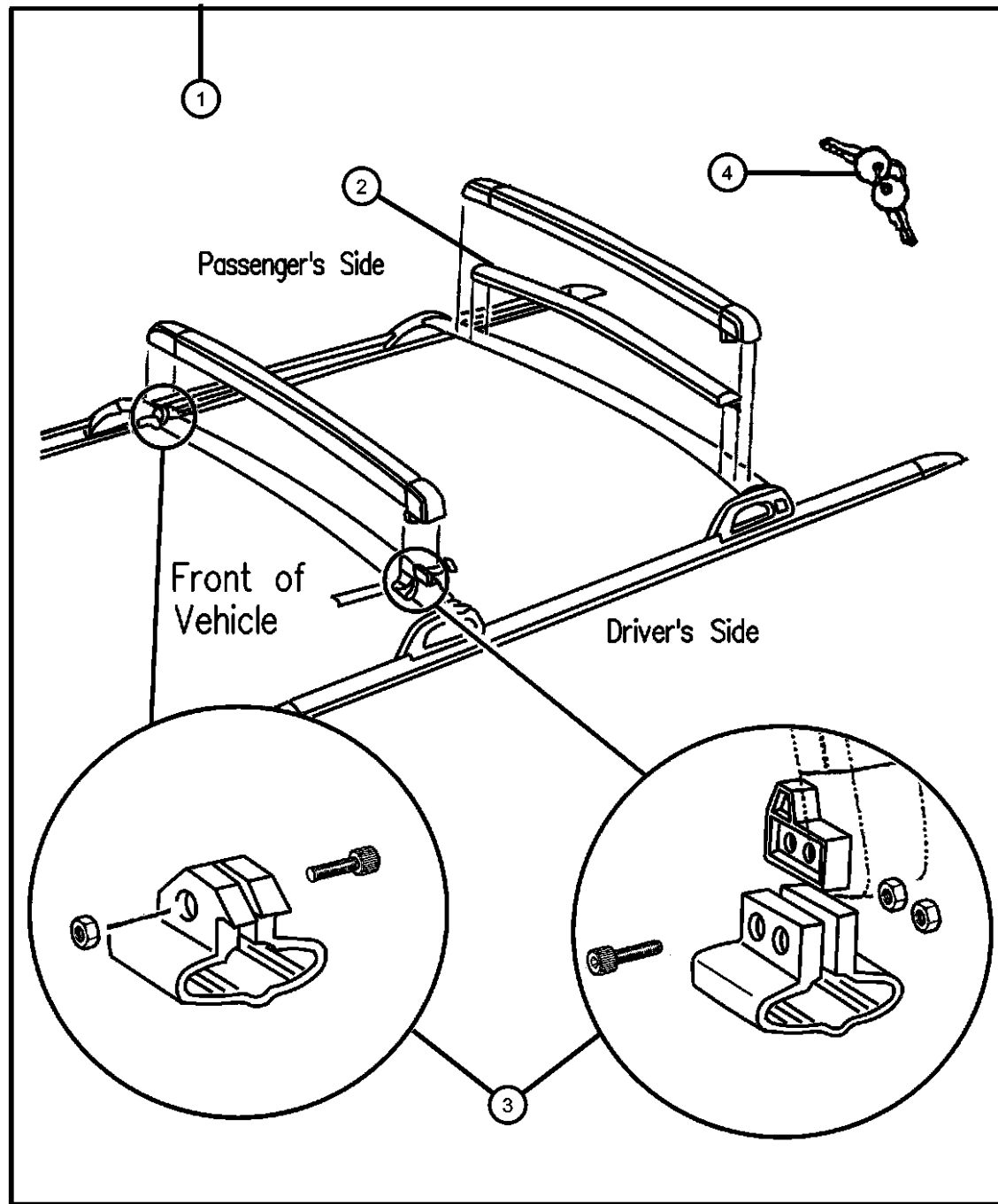
TRANSMISSION
DGK = TRANSMISSION - 4-SPD.
AUTOMATIC, 42RE
DGQ = TRANSMISSION-5SPD
AUTOMATIC 5-45RFE
DGO = ALL AUTOMATIC
TRANSMISSIONS

AR = use ase required - = Non illustrated part

2001 WJ

Carrier Kit - Ski (Four Pair)
Figure 1-234

ITEM	PART NUMBER	QTY	LINE	SERIES	BODY	ENGINE	TRANS	TRIM	DESCRIPTION
1	82204101	1	J, T		74				CARRIER KIT, Ski - 4 Pair
2	04797617	1	J, T		74				PAD, Crossbar, Comes in 36 Inches, Cut to Size.
3	04797618	1	J, T		74				HARDWARE KIT, Accessory
4	04796058	1	J, T		74				LOCK KIT, Carrier, Consists of: 2-Lock Assy, with Keys and 2-Clips



GRAND CHEROKEE (WJ)

SERIES LINE
H = Laredo T = JEEP - 2WD
P = Limited J = JEEP - 4WD

BODY
74 = SPORT UTILITY 4-DR

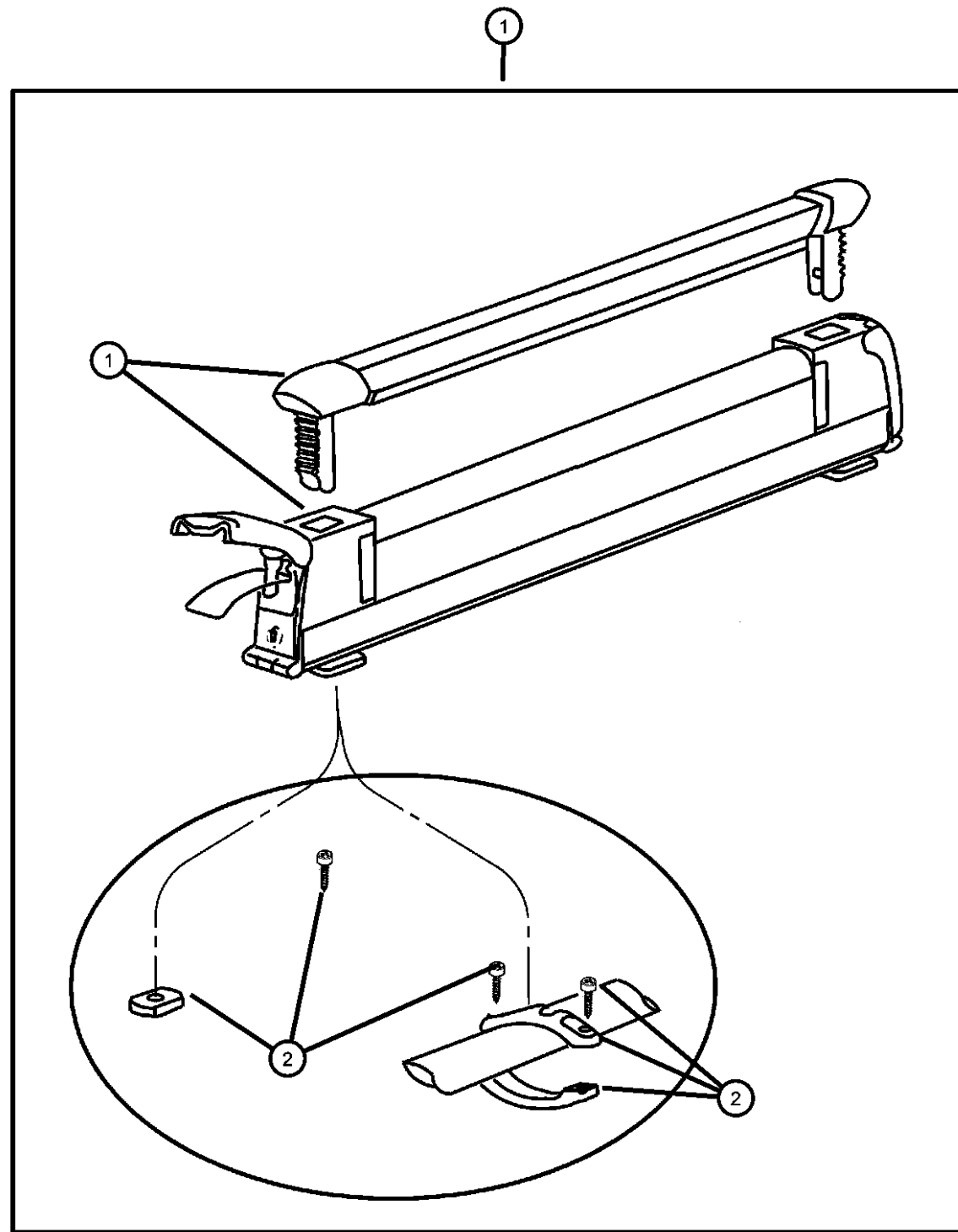
ENGINE
ERH = ENGINE - 4.0L
POWER TECH I-6
EVA = ENGINE- 4.7L V8 MPI

TRANSMISSION
DGK = TRANSMISSION - 4-SPD.
AUTOMATIC, 42RE
DGQ = TRANSMISSION-5SPD
AUTOMATIC 5-45RFE
DGO = ALL AUTOMATIC
TRANSMISSIONS

AR = use ase required - = Non illustrated part

2001 WJ

Carrier Kit - Ski (Six Pair)
Figure 1-236



ITEM	PART NUMBER	QTY	LINE	SERIES	BODY	ENGINE	TRANS	TRIM	DESCRIPTION
1	82205994	1							CARRIER KIT, Ski
2	05019362AA	1							HARDWARE KIT, Mounting

GRAND CHEROKEE (WJ)

SERIES LINE
H = Laredo T = JEEP - 2WD
P = Limited J = JEEP - 4WD

BODY
74 = SPORT UTILITY 4-DR

ENGINE
ERH = ENGINE - 4.0L
POWER TECH I-6
EVA = ENGINE- 4.7L V8 MPI

TRANSMISSION
DGK = TRANSMISSION - 4-SPD.
AUTOMATIC, 42RE
DGQ = TRANSMISSION-5SPD
AUTOMATIC 5-45RFE
DGO = ALL AUTOMATIC
TRANSMISSIONS

AR = use ase required - = Non illustrated part

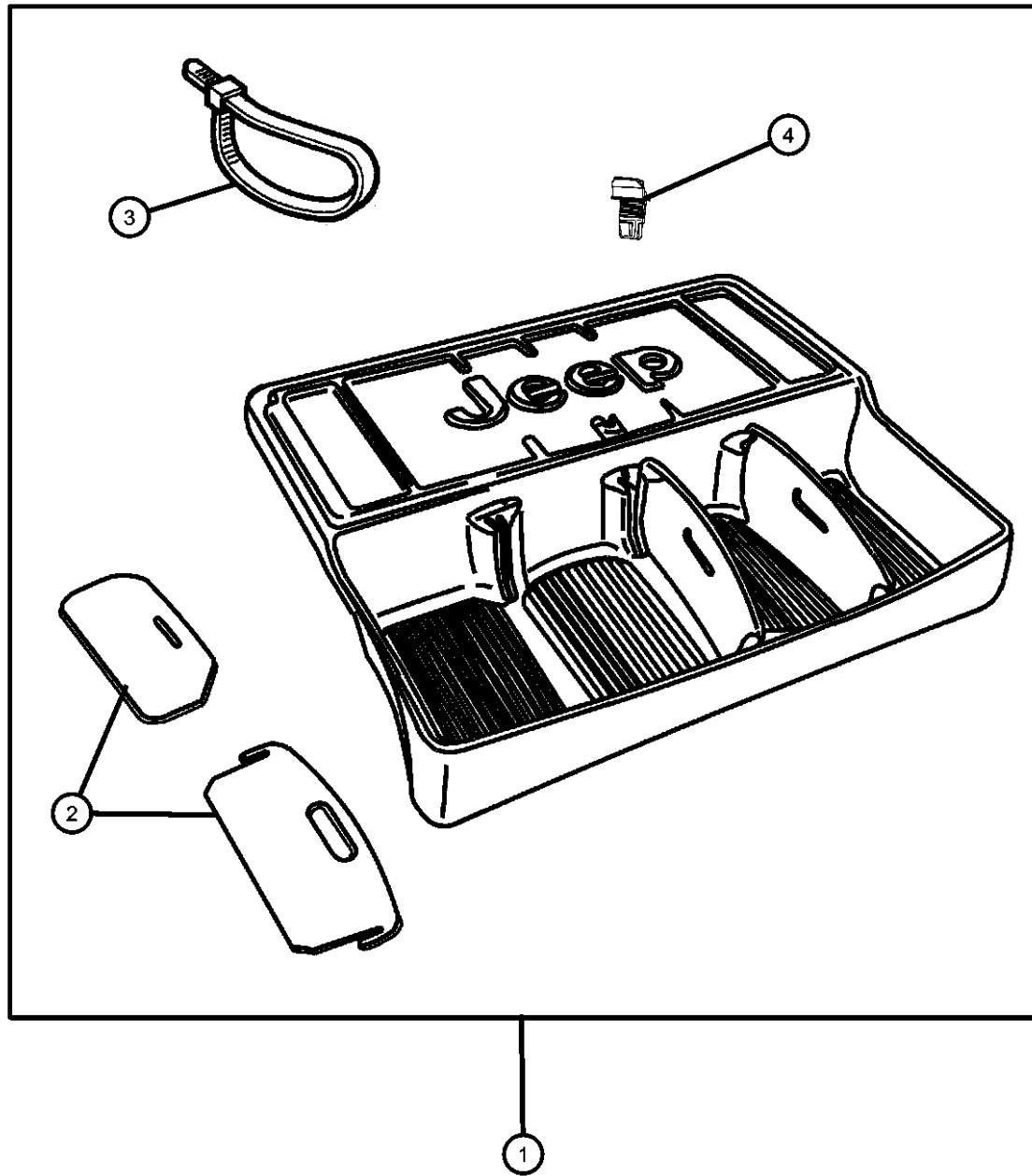
2001 WJ

Box Kit - Storage (Interior)
Figure 1-260

ITEM	PART NUMBER	QTY	LINE	SERIES	BODY	ENGINE	TRANS	TRIM	DESCRIPTION
------	-------------	-----	------	--------	------	--------	-------	------	-------------

NOTE: Mounts Behind Rear Seat. Box is approximately 45" W/18"D/8"H. The tray is located between the box & liftgate - Molded unit has lockable

1	82205010	1	J, T		74				BOX KIT, Storage-Interior, Consists of: Items 2 thru 4
2	05016544AA	1	J, T		74				DIVIDER KIT, Cargo, Drop-in Dividers: 4 Total: 2-Front, 2-Rear
3	05016545AA	1	J, T		74				STRAP, Cargo Tie Down, Used to Attach Box to Load Floor
4	05016546AA	1	J, T		74				LOCK KIT, Storage, Consists of: Keys & Cylinder



GRAND CHEROKEE (WJ)

SERIES LINE
H = Laredo T = JEEP - 2WD
P = Limited J = JEEP - 4WD

BODY
74 = SPORT UTILITY 4-DR

ENGINE
ERH = ENGINE - 4.0L
POWER TECH I-6
EVA = ENGINE- 4.7L V8 MPI

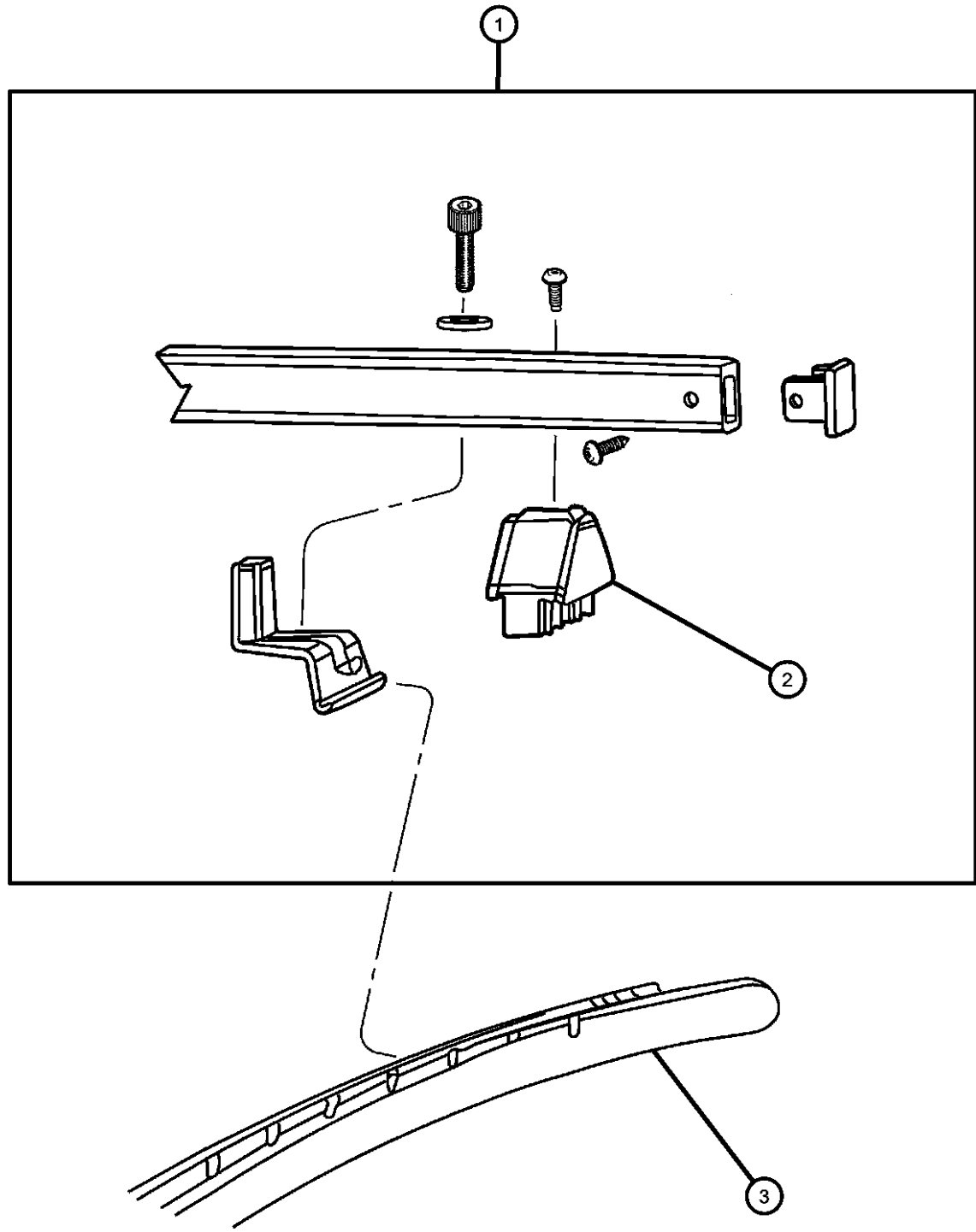
TRANSMISSION
DGK = TRANSMISSION - 4-SPD.
AUTOMATIC, 42RE
DGQ = TRANSMISSION-5SPD
AUTOMATIC 5-45RFE
DGO = ALL AUTOMATIC
TRANSMISSIONS

AR = use ase required - = Non illustrated part

2001 WJ

Utility Bar Package - Roof
Figure 1-262

ITEM	PART NUMBER	QTY	LINE	SERIES	BODY	ENGINE	TRANS	TRIM	DESCRIPTION
------	-------------	-----	------	--------	------	--------	-------	------	-------------



NOTE; Utility type rack, used with other roof top accessories.

1	82204497	1	J, T		74				RACK KIT, Sport - Rail Mount
2	05066452AA	1	J, T		74				SUPPORT, Roof Rack
3	55136848AB	1							RAIL, Luggage Rack Side, not serviced with this kit

GRAND CHEROKEE (WJ)

SERIES	LINE	BODY	ENGINE	TRANSMISSION
H = Laredo	T = JEEP - 2WD	74 = SPORT UTILITY 4-DR	ERH = ENGINE - 4.0L POWER TECH I-6	DGK = TRANSMISSION - 4-SPD. AUTOMATIC, 42RE
P = Limited	J = JEEP - 4WD		EVA = ENGINE- 4.7L V8 MPI	DGQ = TRANSMISSION-5SPD AUTOMATIC 5-45RFE
				DGO = ALL AUTOMATIC TRANSMISSIONS

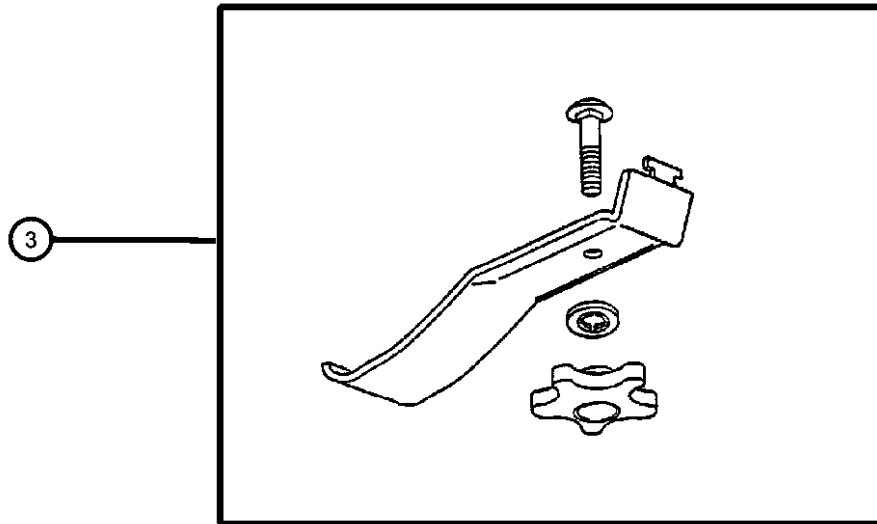
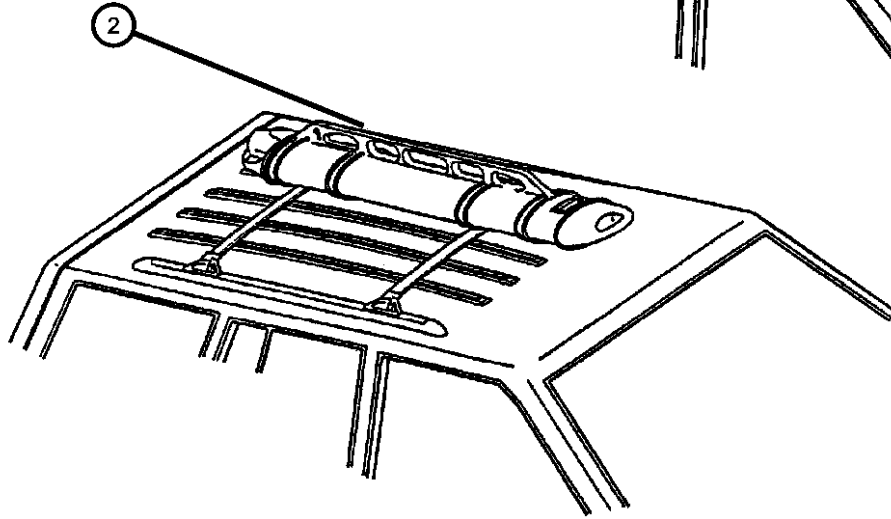
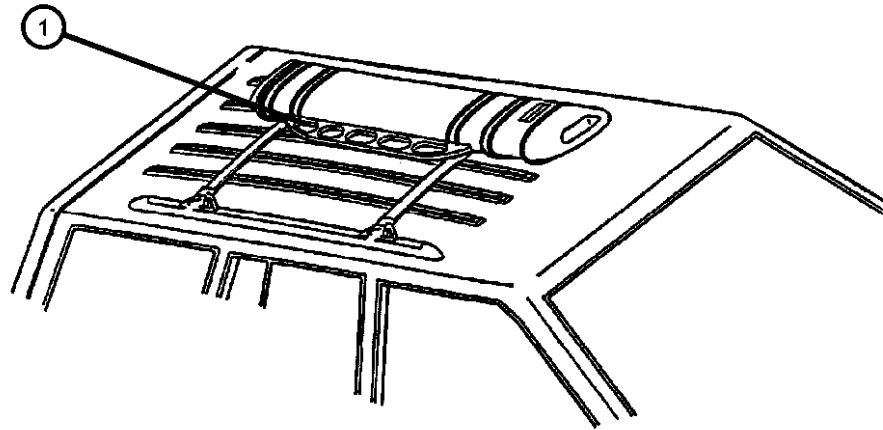
AR = use ase required - = Non illustrated part

Carrier Kit - Multipurpose
Figure 1-270

ITEM	PART NUMBER	QTY	LINE	SERIES	BODY	ENGINE	TRANS	TRIM	DESCRIPTION
------	-------------	-----	------	--------	------	--------	-------	------	-------------

NOTE: Use only with Sport Utility Bar
 NOTE: Carrier Kits - Multipurpose: Skis or Fishing Pole
 Snow Board or Surfboard
 NOTE: Hardware Kit also contained in Carrier Kit

1	82204699	1	J, T		74				CARRIER KIT, Wind/Surf Boards, For Snowboard or Surfboard
2	82204698	1	J, T		74				CARRIER KIT, Ski, For Skis, Fishing Poles
3	05016509AA	1	J, T		74				HARDWARE KIT, Accessory
-4	05016617AA	1	J, T		74				LOCK KIT, Carrier, 2-Locks, keyed the same



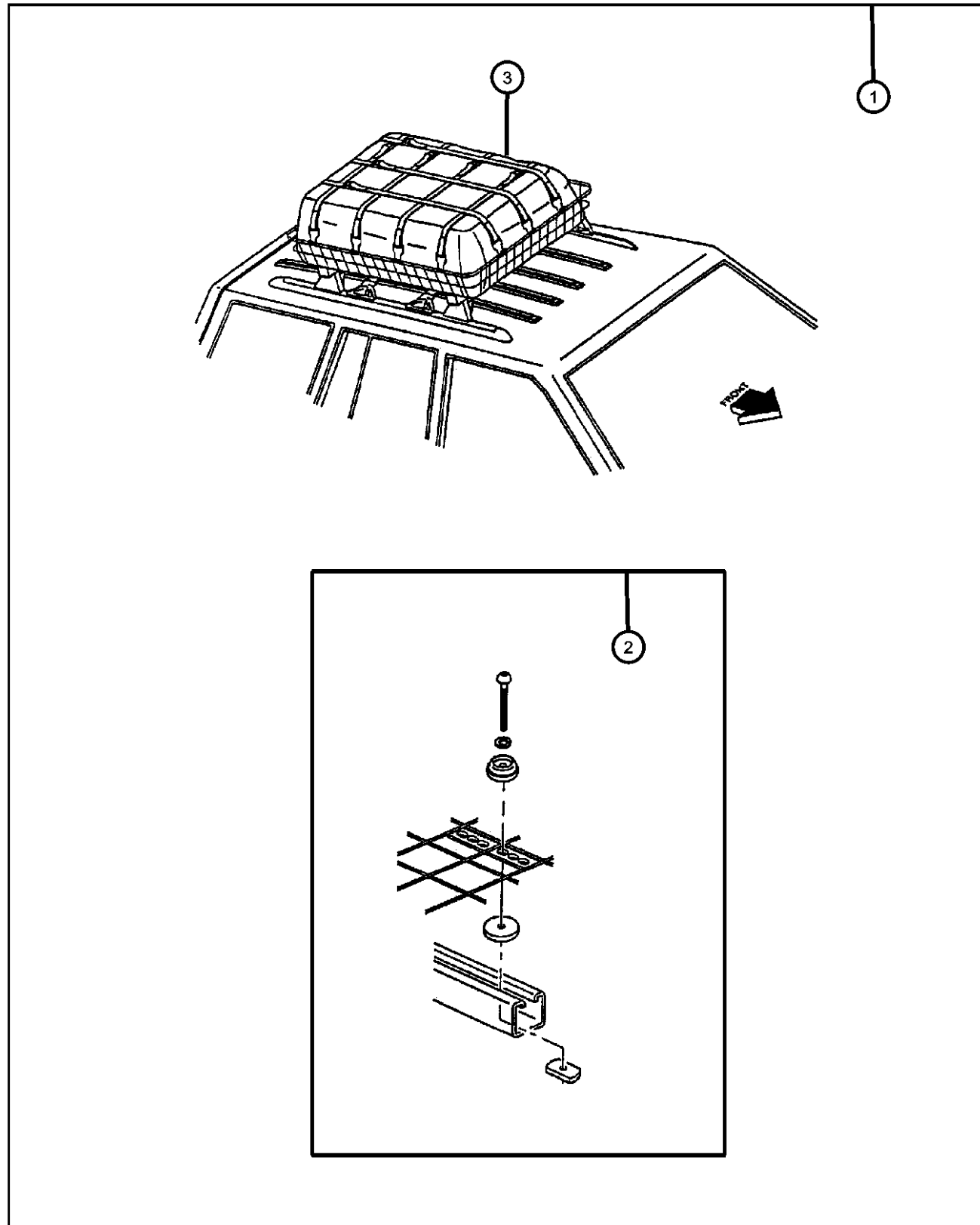
GRAND CHEROKEE (WJ)

SERIES	LINE	BODY	ENGINE	TRANSMISSION
H = Laredo	T = JEEP - 2WD	74 = SPORT UTILITY 4-DR	ERH = ENGINE - 4.0L POWER TECH I-6	DGK = TRANSMISSION - 4-SPD. AUTOMATIC, 42RE
P = Limited	J = JEEP - 4WD		EVA = ENGINE- 4.7L V8 MPI	DGQ = TRANSMISSION-5SPD AUTOMATIC 5-45RFE DGO = ALL AUTOMATIC TRANSMISSIONS

AR = use ase required - = Non illustrated part

2001 WJ

Carrier Kit - Basket Type
Figure 1-272



ITEM	PART NUMBER	QTY	LINE	SERIES	BODY	ENGINE	TRANS	TRIM	DESCRIPTION
------	-------------	-----	------	--------	------	--------	-------	------	-------------

NOTE: Use only with Sport Utility Bar

1	82204697	1	J, T		74				CARRIER KIT, Basket
2	05016389AA	1	J, T		74				HARDWARE KIT, Accessory
3	82204857	1	J, T		74				NET KIT, Cargo

GRAND CHEROKEE (WJ)

SERIES	LINE	BODY	ENGINE	TRANSMISSION
H = Laredo	T = JEEP - 2WD	74 = SPORT UTILITY 4-DR	ERH = ENGINE - 4.0L POWER TECH I-6	DGK = TRANSMISSION - 4-SPD. AUTOMATIC, 42RE
P = Limited	J = JEEP - 4WD		EVA = ENGINE- 4.7L V8 MPI	DGQ = TRANSMISSION-5SPD AUTOMATIC 5-45RFE DGO = ALL AUTOMATIC TRANSMISSIONS

AR = use ase required - = Non illustrated part

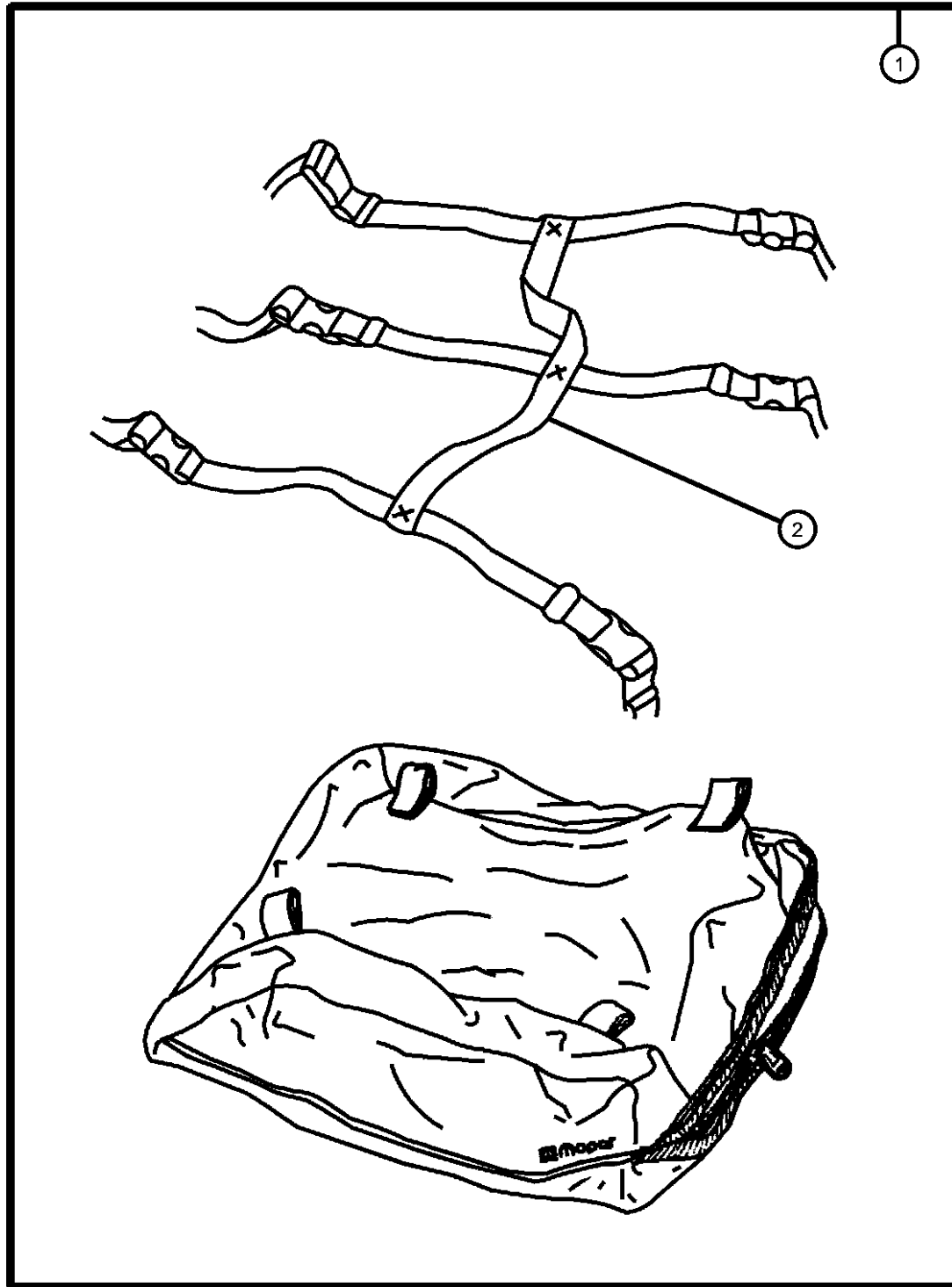
2001 WJ

Luggage Carrier - Roof Mount
Figure 1-274

ITEM	PART NUMBER	QTY	LINE	SERIES	BODY	ENGINE	TRANS	TRIM	DESCRIPTION
------	-------------	-----	------	--------	------	--------	-------	------	-------------

NOTE: Requires Roof Rack.

1	82204344	1	J, T		74				CARRIER KIT, Luggage
2	05066332AA	1	J, T		74				STRAP KIT, Luggage Carrier, Consists of: 6- Tie Straps, 6- Locking Buckles, 6- Quick Release Connectors and 6- Elastic Loops



GRAND CHEROKEE (WJ)

SERIES LINE
H = Laredo T = JEEP - 2WD
P = Limited J = JEEP - 4WD

BODY
74 = SPORT UTILITY 4-DR

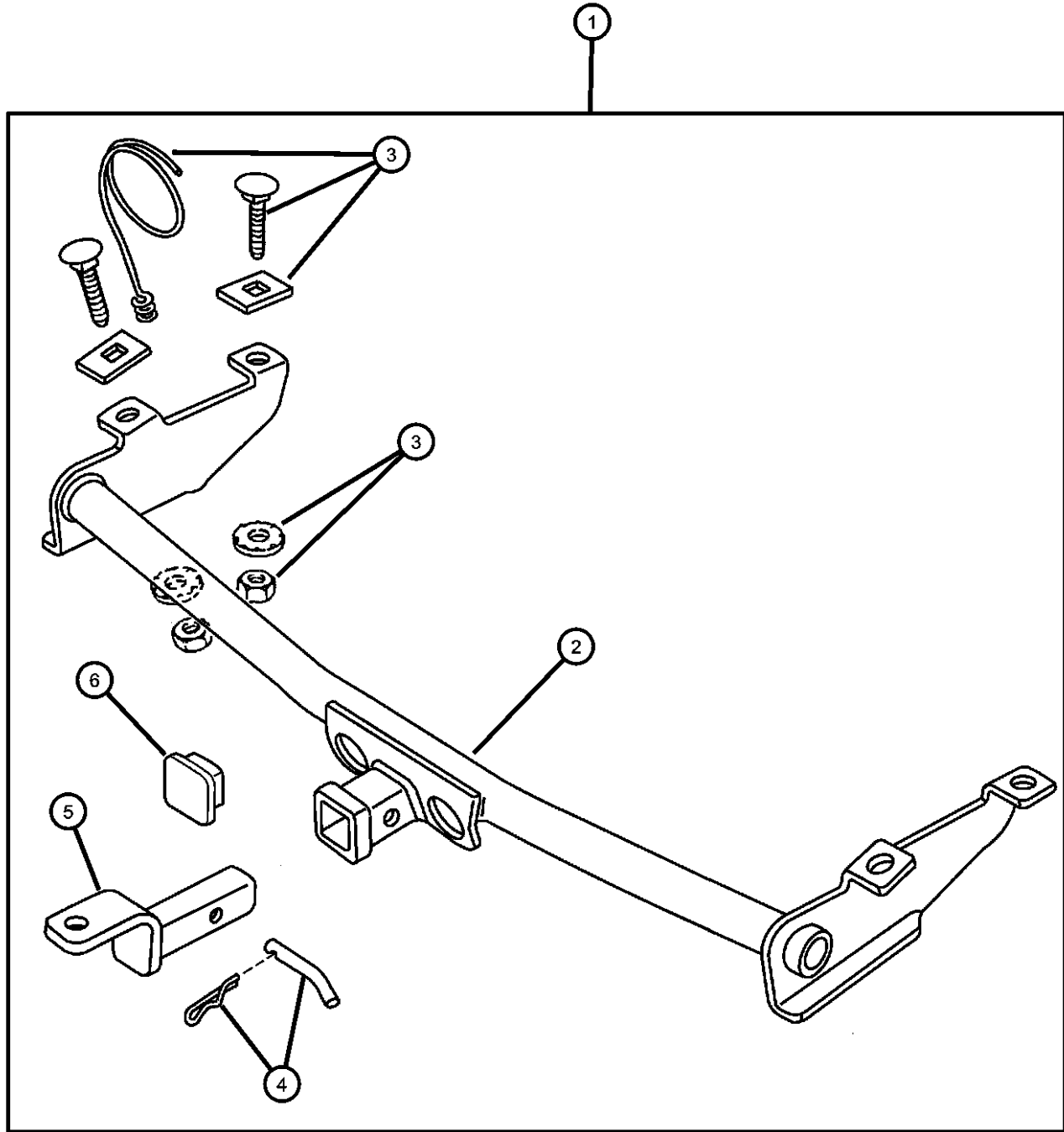
ENGINE
ERH = ENGINE - 4.0L
POWER TECH I-6
EVA = ENGINE- 4.7L V8 MPI

TRANSMISSION
DGK = TRANSMISSION - 4-SPD.
AUTOMATIC, 42RE
DGQ = TRANSMISSION-5SPD
AUTOMATIC 5-45RFE
DGO = ALL AUTOMATIC
TRANSMISSIONS

AR = use ase required - = Non illustrated part

2001 WJ

Receiver Kit - Trailer Tow
Figure 1-280



ITEM	PART NUMBER	QTY	LINE	SERIES	BODY	ENGINE	TRANS	TRIM	DESCRIPTION
------	-------------	-----	------	--------	------	--------	-------	------	-------------

NOTE: To order quantities of 10 - of 82204491 use 82204902

1	82204491	1							RECEIVER KIT, Trailer Tow
	82206837	1	J, T		74				Required color-coded fascia
2	82206837	1							HITCH, Trailer, (NOT SERVICED),
3	82206842	1	J, T		74				ADAPTER PACKAGE, Trailer Tow
4	05016666AA	1	J, T		74				PIN, Hitch
5	05016666AA	1							DRAWBAR, Attachment, Serviced
									in Kit, (NOT SERVICED)
6									COVER KIT, Trailer Tow
	82203600	1	J, T		74				Jeep Logo
	82203602	1	J, T		74				Mopar Logo
-7									BEZEL PACKAGE, Trailer Hitch
	82204628	1	J, T		74				Black, Paintable, Limited
	82204630	1	J, T		74				Driftwood, Laredo
	82205791	1	J, T		74				Dark Grey, Laredo
	82206826	1	J, T		74				Dark Blue, Laredo
	82206827	1	J, T		74				Dark Garnet Red, Laredo
-8	82400554	1	J, T		74				WIRING PACKAGE, Pigtail
									Adaptor - 7 Way

GRAND CHEROKEE (WJ)

SERIES LINE
H = Laredo T = JEEP - 2WD
P = Limited J = JEEP - 4WD

BODY
74 = SPORT UTILITY 4-DR

ENGINE
ERH = ENGINE - 4.0L
POWER TECH I-6
EVA = ENGINE- 4.7L V8 MPI

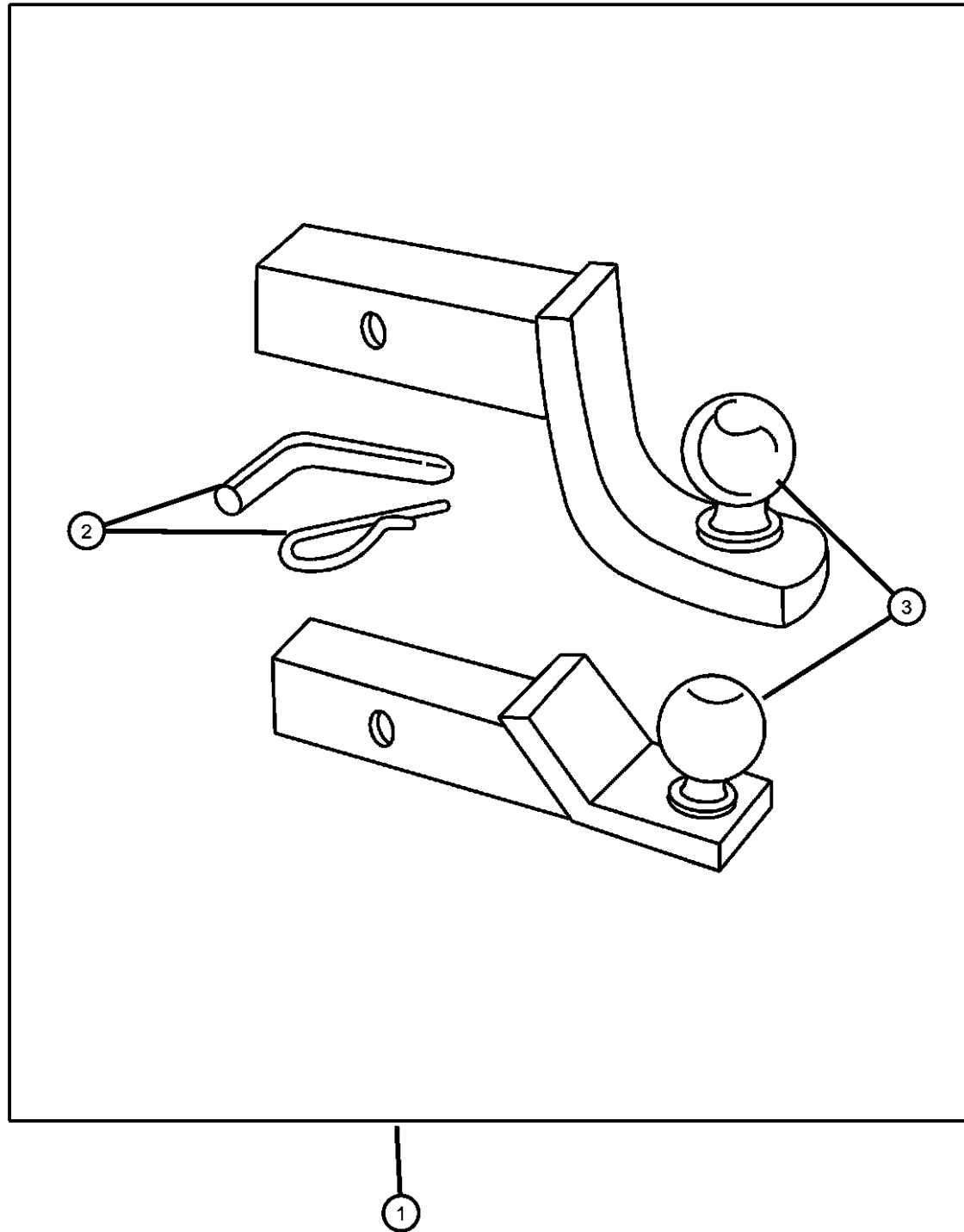
TRANSMISSION
DGK = TRANSMISSION - 4-SPD.
AUTOMATIC, 42RE
DGQ = TRANSMISSION-5SPD
AUTOMATIC 5-45RFE
DGO = ALL AUTOMATIC
TRANSMISSIONS

AR = use ase required - = Non illustrated part

2001 WJ

Adapter Kit - Ball Mount
Figure 1-282

ITEM	PART NUMBER	QTY	LINE	SERIES	BODY	ENGINE	TRANS	TRIM	DESCRIPTION
1									ADAPTER KIT, Ball Mount
	82200248	1	J, T		74				3/4 inch Shank
	82201148	1	J, T		74				1 inch Shank,1.75 Rise, 1.00 Drop
	82201149	1	J, T		74				1 inch Shank,3.00 Rise,2.25 Drop
2	05016666AA	1	J, T		74				PIN, Hitch
3									BALL KIT, Trailer Tow
	82401197	1	J, T		74				1-7/8 inch Ball, 2000 #
	82401218	1	J, T		74				1-5/16 inch Ball, 2000 #



GRAND CHEROKEE (WJ)

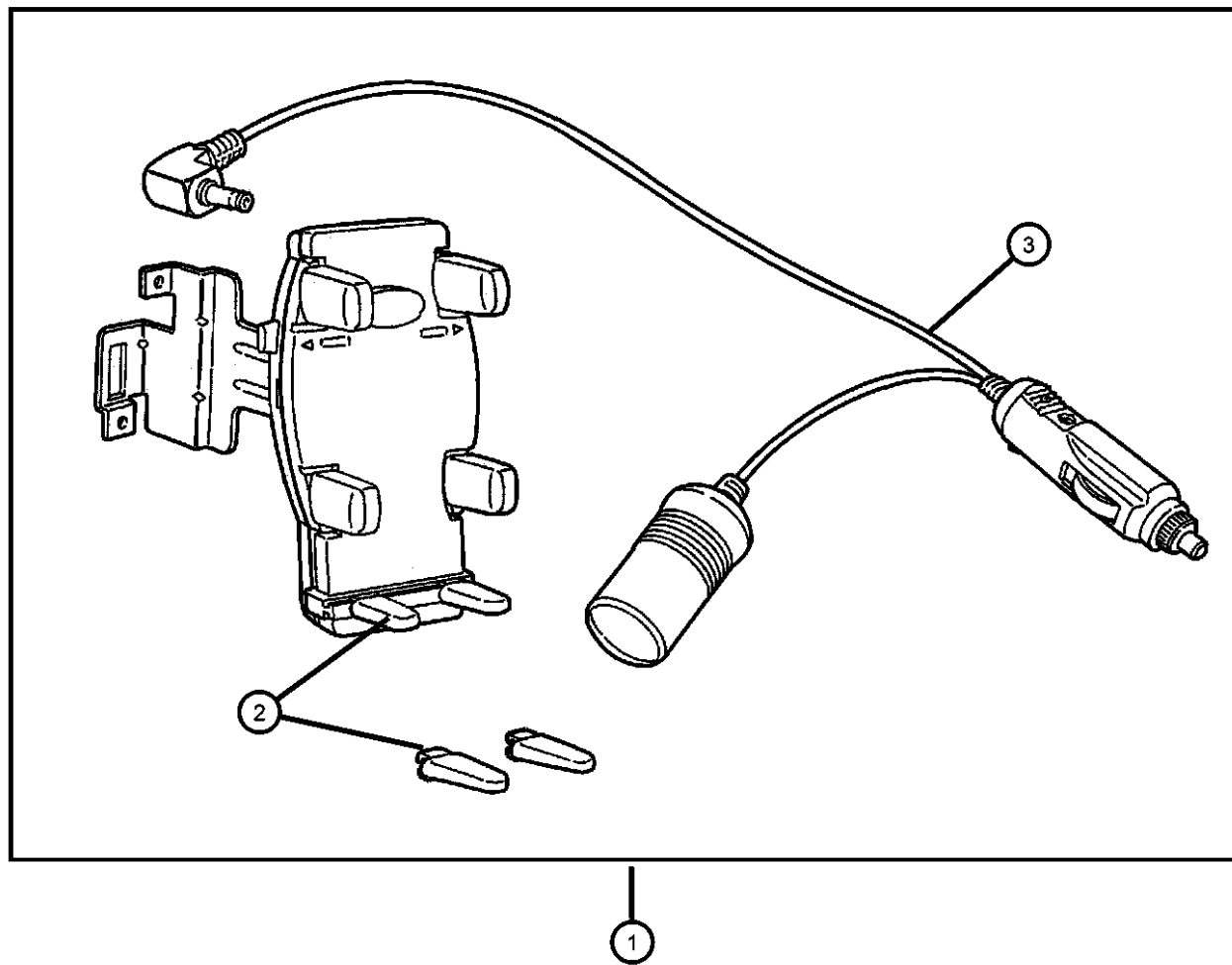
SERIES	LINE	BODY	ENGINE	TRANSMISSION
H = Laredo	T = JEEP - 2WD	74 = SPORT UTILITY 4-DR	ERH = ENGINE - 4.0L POWER TECH I-6	DGK = TRANSMISSION - 4-SPD. AUTOMATIC,42RE
P = Limited	J = JEEP - 4WD		EVA = ENGINE- 4.7L V8 MPI	DGQ = TRANSMISSION-5SPD AUTOMATIC 5-45RFE DGO = ALL AUTOMATIC TRANSMISSIONS

AR = use ase required - = Non illustrated part

2001 WJ

Mounting Kit - Cellular Phone
Figure 1-310

ITEM	PART NUMBER	QTY	LINE	SERIES	BODY	ENGINE	TRANS	TRIM	DESCRIPTION
NOTE: Smart Holder and Bracket Assy. with Jeep Logo, Bracket to be black powder coated low gloss.									
NOTE: Holds any wireless handset. Installs to instrument panel.									
1	82204332	1							MOUNTING KIT, Cellular Phone
2	82204332	1							HARDWARE KIT, Accessory, (NOT SERVICED)
3	05016536AA	1							CORD, Cellular Phone, 18 Inch length



GRAND CHEROKEE (WJ)

SERIES	LINE	BODY	ENGINE	TRANSMISSION
H = Laredo	T = JEEP - 2WD	74 = SPORT UTILITY 4-DR	ERH = ENGINE - 4.0L POWER TECH I-6	DGK = TRANSMISSION - 4-SPD. AUTOMATIC, 42RE
P = Limited	J = JEEP - 4WD		EVA = ENGINE- 4.7L V8 MPI	DGQ = TRANSMISSION-5SPD AUTOMATIC 5-45RFE DGO = ALL AUTOMATIC TRANSMISSIONS

AR = use ase required - = Non illustrated part

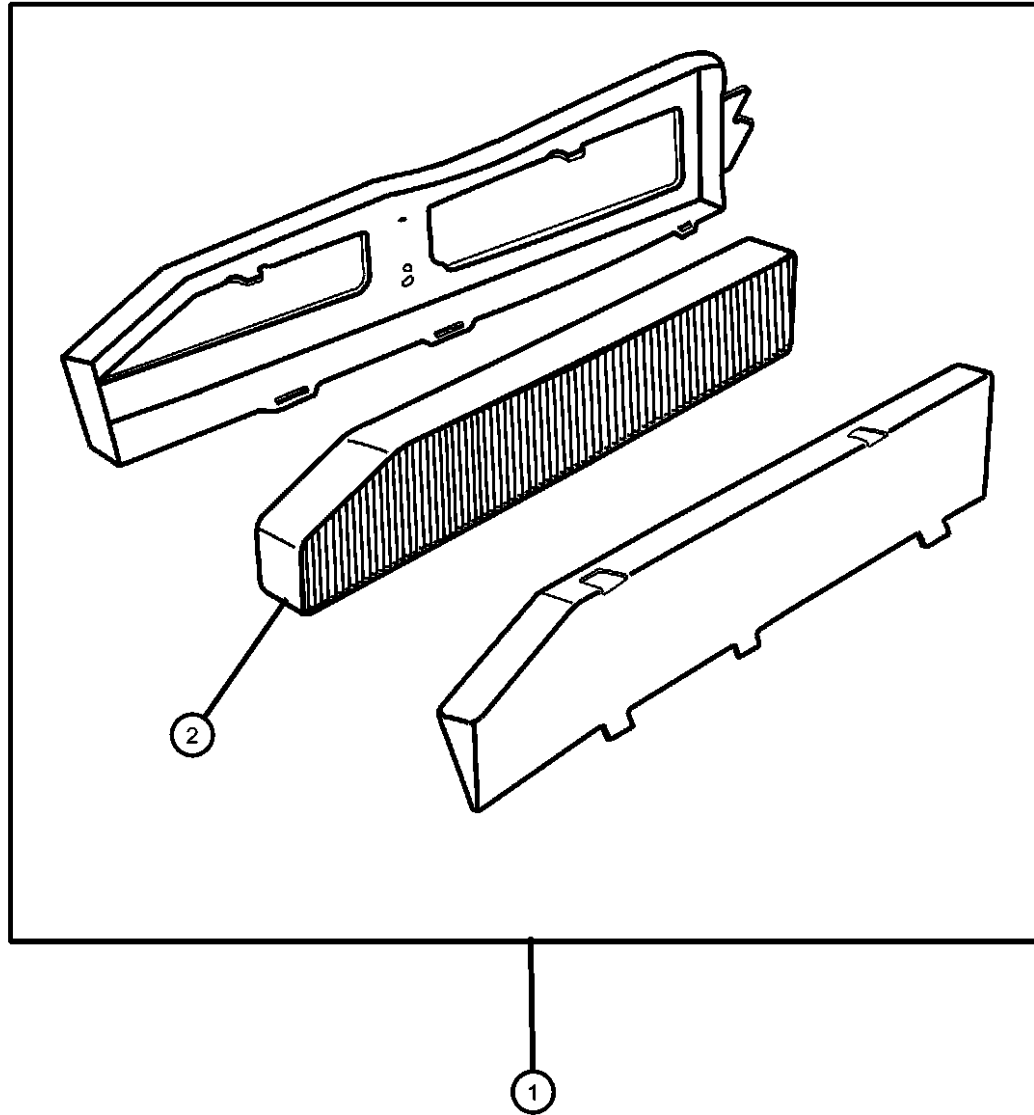
2001 WJ

Filter Kit - Cabin Air
Figure 1-315

ITEM	PART NUMBER	QTY	LINE	SERIES	BODY	ENGINE	TRANS	TRIM	DESCRIPTION
------	-------------	-----	------	--------	------	--------	-------	------	-------------

NOTE: Triple layer filters install in the fresh air intake within the plenum area. Reduces pollen, mold & other allergens.
 NOTE: Heating, ventilating & air conditioning continue to function as designed. Recommended service 2yrs/24,000 miles.

1	82204691	1	J, T		74				FILTER KIT, Cabin Air
2	05013595AA	1	J, T		74				FILTER, Air



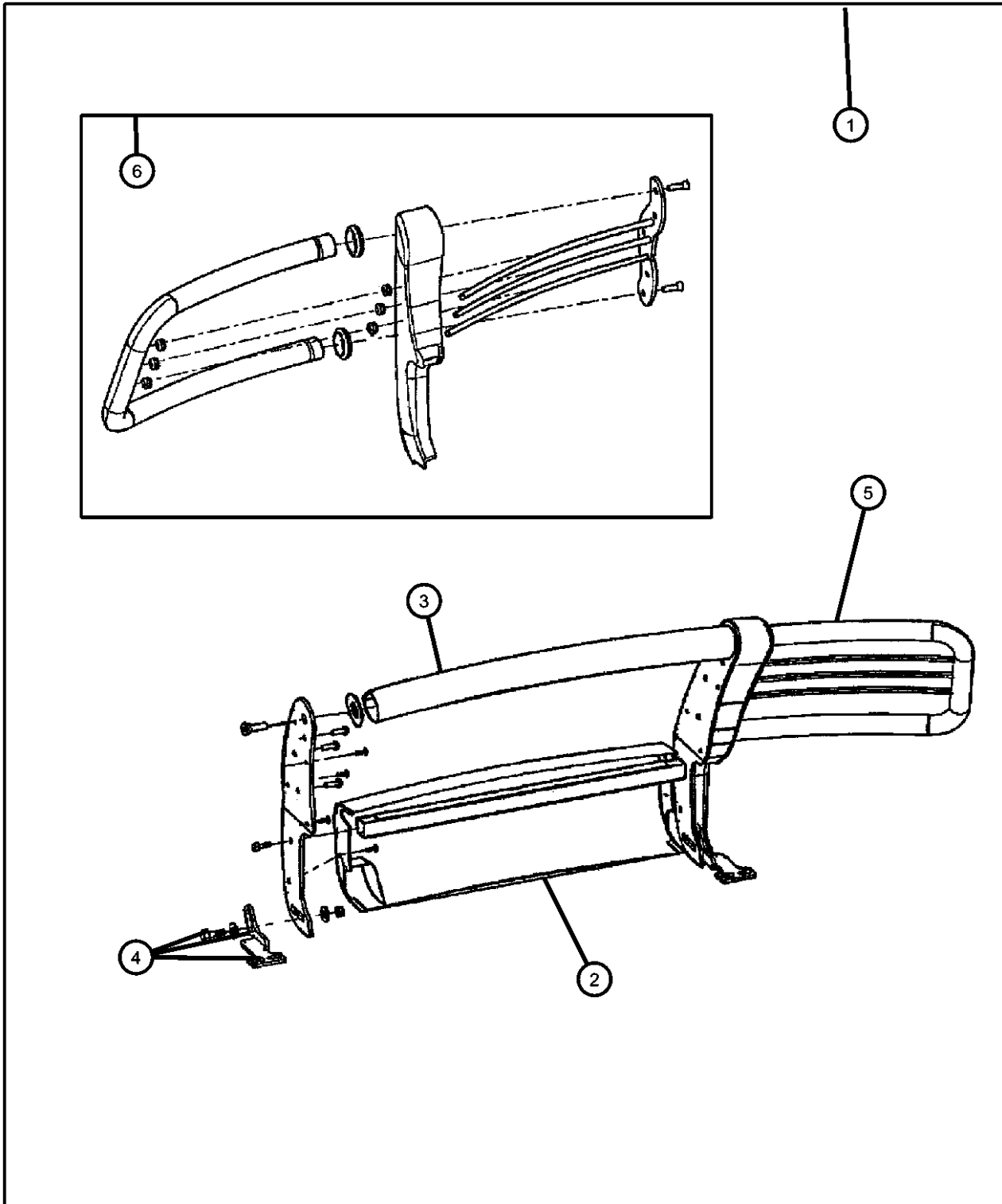
GRAND CHEROKEE (WJ)

SERIES	LINE	BODY	ENGINE	TRANSMISSION
H = Laredo	T = JEEP - 2WD	74 = SPORT UTILITY 4-DR	ERH = ENGINE - 4.0L POWER TECH I-6	DGK = TRANSMISSION - 4-SPD. AUTOMATIC, 42RE
P = Limited	J = JEEP - 4WD		EVA = ENGINE- 4.7L V8 MPI	DGQ = TRANSMISSION-5SPD AUTOMATIC 5-45RFE DGO = ALL AUTOMATIC TRANSMISSIONS

AR = use ase required - = Non illustrated part

2001 WJ

Brush Guards
Figure 1-410



ITEM	PART NUMBER	QTY	LINE	SERIES	BODY	ENGINE	TRANS	TRIM	DESCRIPTION
1	82205161	1	J, T		74				GUARD KIT, Brush Medium Driftwood
	82205162	1	J, T		74				Black Steel
	82205163	1	J, T		74				Natural Aluminum
	82205164	1	J, T		74				Chromed Steel
	82205223	1	J, T		74				Dark Gray [XS9]
2	05016829AA	1	J, T		74				COVER, Grille Guard Lower Black
	05016830AA	1	J, T		74				Driftwood
	05016832AA	1	J, T		74				Dark Gray
3	05016833AA	1	J, T		74				CROSS BAR, Grille Guard, Chrome
4	05016849AA	1	J, T		74				BRACKET KIT, Brush/Grille Guard
5	05016858AA	1	J, T		74				GUARD, Brush - Right Side Medium Driftwood
	05016860AA	1	J, T		74				Black
	05016862AA	1	J, T		74				Natural Aluminum
	05016864AA	1	J, T		74				Chromed
	05016866AA	1	J, T		74				Dark Gray [XS9]
6	05016859AA	1	J, T		74				GUARD, Brush - Left Side Medium Driftwood
	05016861AA	1	J, T		74				Black
	05016863AA	1	J, T		74				Natural Aluminum
	05016865AA	1	J, T		74				Chromed
	05016867AA	1	J, T		74				Dark Gray [XS9]

GRAND CHEROKEE (WJ)

SERIES LINE
H = Laredo T = JEEP - 2WD
P = Limited J = JEEP - 4WD

BODY
74 = SPORT UTILITY 4-DR

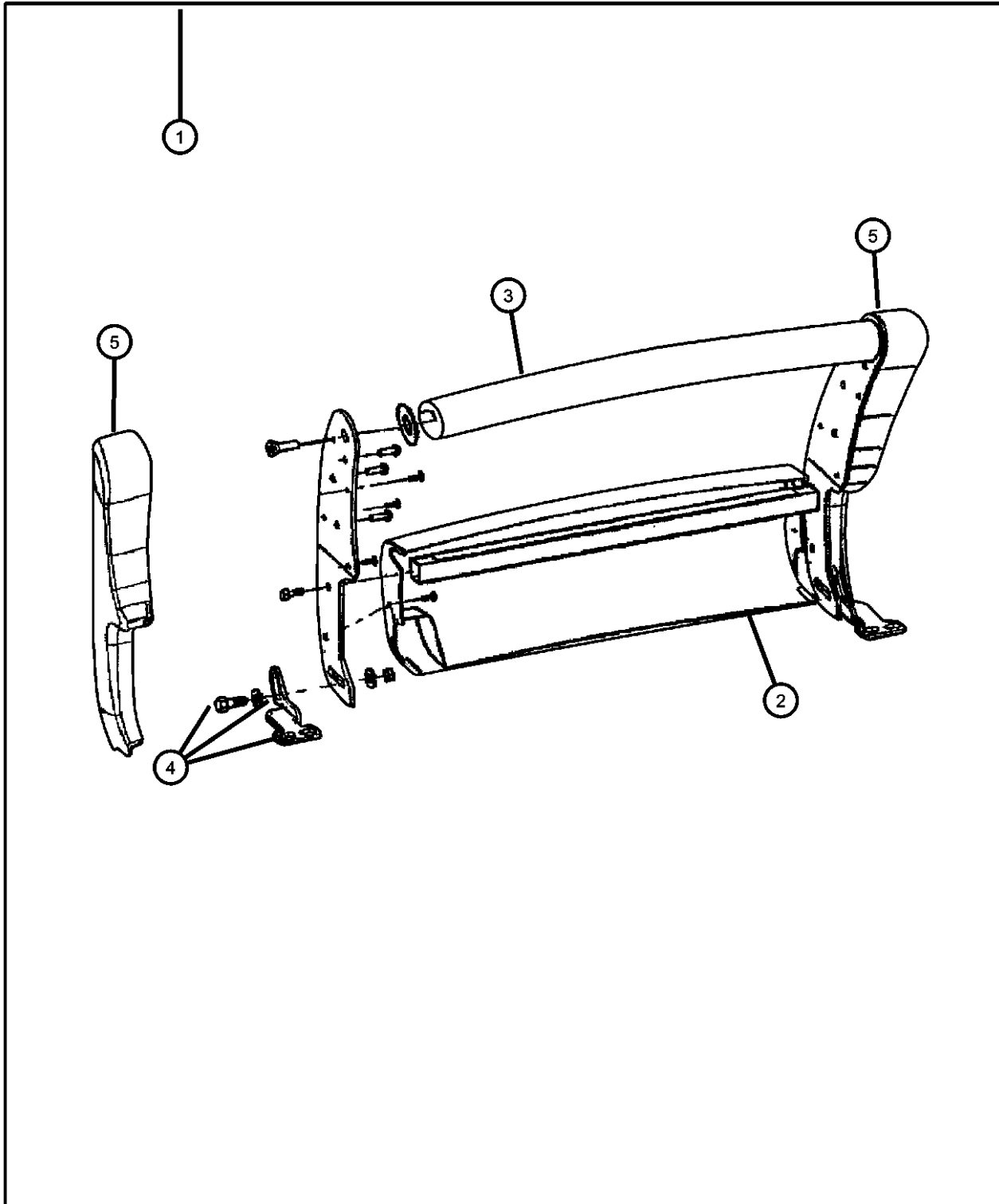
ENGINE
ERH = ENGINE - 4.0L
POWER TECH I-6
EVA = ENGINE- 4.7L V8 MPI

TRANSMISSION
DGK = TRANSMISSION - 4-SPD.
AUTOMATIC, 42RE
DGQ = TRANSMISSION-5SPD
AUTOMATIC 5-45RFE
DGO = ALL AUTOMATIC
TRANSMISSIONS

AR = use ase required - = Non illustrated part

2001 WJ

**Grille Guards
Figure 1-412**



ITEM	PART NUMBER	QTY	LINE	SERIES	BODY	ENGINE	TRANS	TRIM	DESCRIPTION
------	-------------	-----	------	--------	------	--------	-------	------	-------------

NOTE: Bracket Kit also includes 2-Upper Stiffener Brackets.

1									GUARD KIT, Grille
	82204590	1	J, T		74				Chromed Steel
	82204591	1	J, T		74				Natural Aluminum
	82204592	1	J, T		74				Black Steel
	82204594	1	J, T		74				Medium Driftwood
	82205222	1	J, T		74				Dark Gray
2									COVER, Grille Guard Lower
	05016829AA	1	J, T		74				Black
	05016830AA	1	J, T		74				Driftwood
	05016832AA	1	J, T		74				Dark Gray
3	05016833AA	1	J, T		74				CROSS BAR, Grille Guard, Chrome
4	05016849AA	1	J, T		74				BRACKET KIT, Brush/Grille Guard
5									COVER, Grille Guard Side
	05016834AA	1	J, T		74				Black, Right
	05016835AA	1	J, T		74				Black, Left
	05016836AA	1	J, T		74				Driftwood, Right
	05016837AA	1	J, T		74				Driftwood, Left
	05016840AA	1	J, T		74				Dark Gray, Right
	05016841AA	1	J, T		74				Dark Gray, Left

GRAND CHEROKEE (WJ)

SERIES LINE
H = Laredo T = JEEP - 2WD
P = Limited J = JEEP - 4WD

BODY
74 = SPORT UTILITY 4-DR

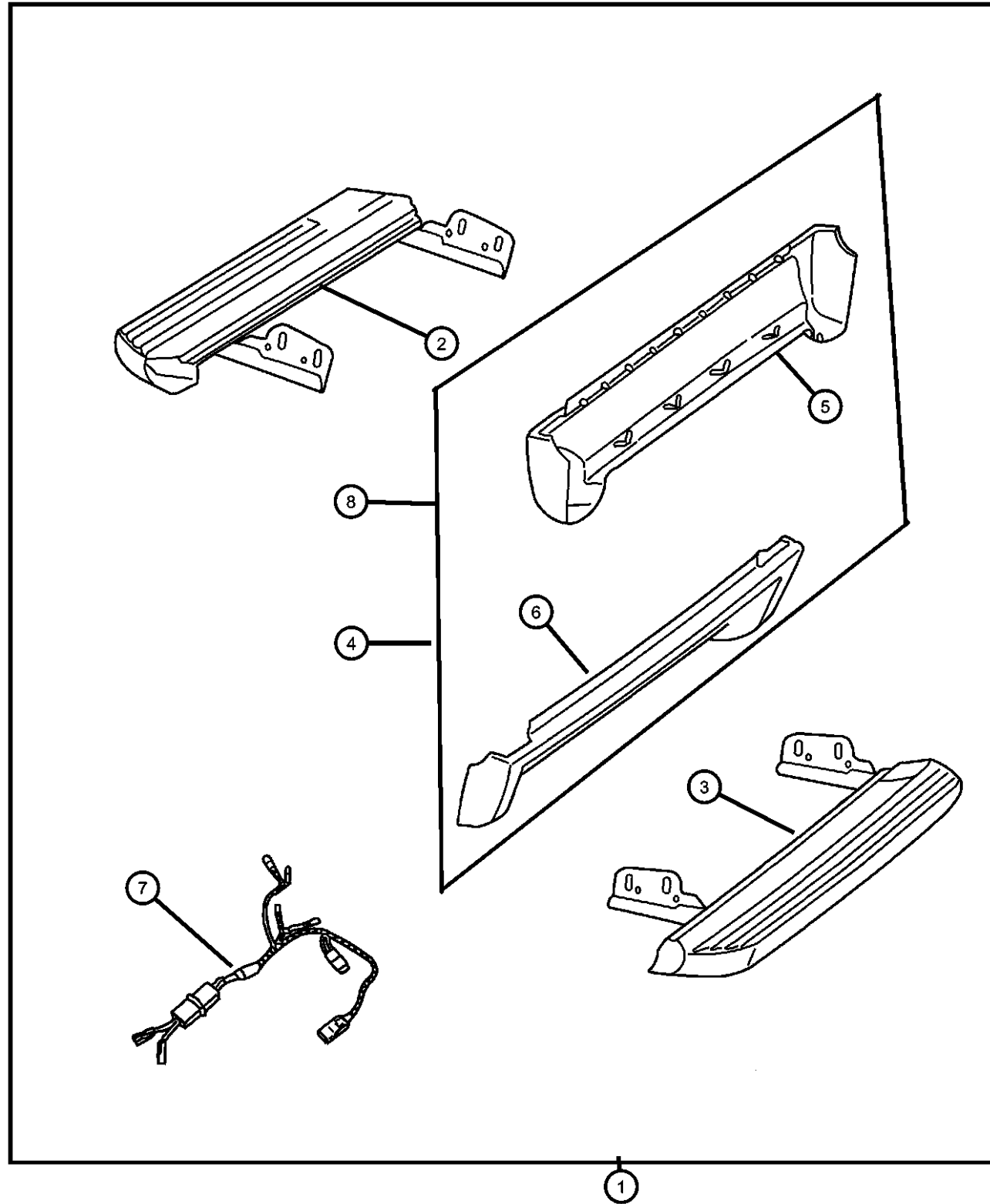
ENGINE
ERH = ENGINE - 4.0L
POWER TECH I-6
EVA = ENGINE- 4.7L V8 MPI

TRANSMISSION
DGK = TRANSMISSION - 4-SPD.
AUTOMATIC, 42RE
DGQ = TRANSMISSION-5SPD
AUTOMATIC 5-45RFE
DGO = ALL AUTOMATIC
TRANSMISSIONS

AR = use ase required - = Non illustrated part

2001 WJ

Running Boards
Figure 1-430



ITEM	PART NUMBER	QTY	LINE	SERIES	BODY	ENGINE	TRANS	TRIM	DESCRIPTION
1	82204577	1	J, T		74				RUNNING BOARD KIT, Full
2	05016364AA	1	J, T		74				RUNNING BOARD, Right Side
3	05016365AA	1	J, T		74				RUNNING BOARD, Left Side
4									CLADDING KIT, Running Board
	82205932	1	J, T		74				Medium Driftwood, Laredo, with Lights
	82205933	1	J, T		74				Dark Grey, Laredo, with Lights
	82206547	1	J, T		74				Steel Blue, Limited, without Lights
	82206548	1	J, T		74				Woodland Brown, Limited, without Lights
	82206549	1	J, T		74				Steel Blue, Limited, with Lights
	82206550	1	J, T		74				Woodland Brown, Limited, with Lights
	82206709	1			74				Dark Metallic Blue, Laredo, without Lights
	82206710	1			74				Dark Garnet Metallic Red, Laredo, without Lights
	82206712	1			74				Dark Metallic Blue, Laredo, with Lights
	82206713	1			74				Dark Garnet Metallic Red, Laredo, with Lights
5	05016348AA	1	J, T		74				CLADDING, Running Board, Right Side, Right Hand, without Lights, Limited
6	05016349AA	1	J, T		74				CLADDING, Running Board, Left Side, Left Hand, without Lights, Limited
7	05017831AA	1	J, T		74				MODULE, Running Board Light
8	82205934	1	J, T		74				CLADDING KIT, Lowerside, Shale Green, Limited with Lights

GRAND CHEROKEE (WJ)

SERIES LINE
H = Laredo T = JEEP - 2WD
P = Limited J = JEEP - 4WD

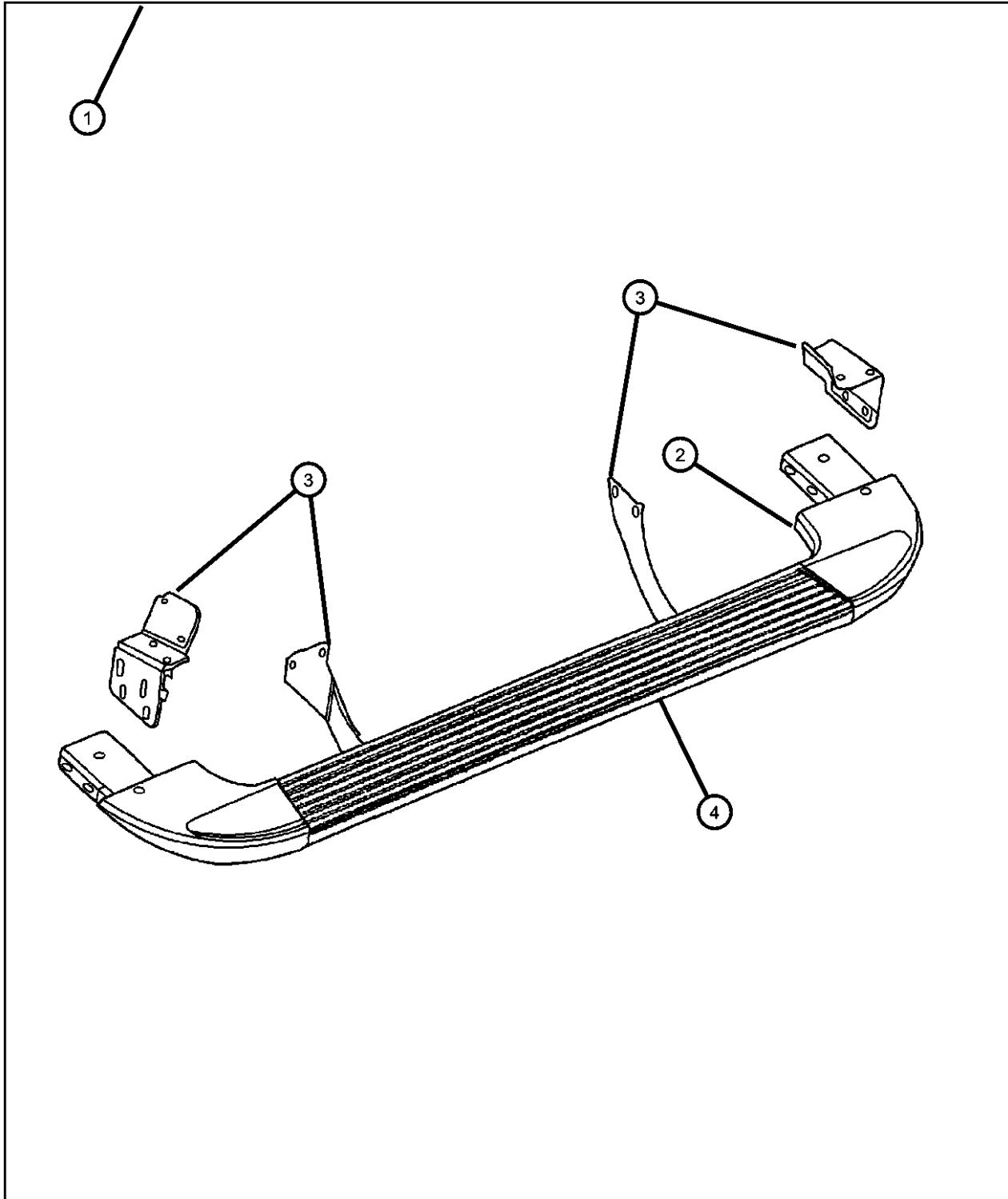
BODY
74 = SPORT UTILITY 4-DR

ENGINE
ERH = ENGINE - 4.0L
POWER TECH I-6
EVA = ENGINE- 4.7L V8 MPI

TRANSMISSION
DGK = TRANSMISSION - 4-SPD.
AUTOMATIC, 42RE
DGQ = TRANSMISSION-5SPD
AUTOMATIC 5-45RFE
DGO = ALL AUTOMATIC
TRANSMISSIONS

AR = use ase required - = Non illustrated part

**Side Step Kit
Figure 1-432**



ITEM	PART NUMBER	QTY	LINE	SERIES	BODY	ENGINE	TRANS	TRIM	DESCRIPTION
------	-------------	-----	------	--------	------	--------	-------	------	-------------

NOTE: Step Kit will service either Right or Left Side. Support Brackets vary from side to side and by Trim Level and must be ordered separately if needed.

1									STEP KIT, Tubular Side
	82204595	1	J, T		74				Laredo only (Chrome)
	82204596	1	J, T		74				Laredo only (Driftwood)
	82204598	1	J, T		74				Laredo only (Black)
	82204599	1	J, T		74				Laredo only (Aluminum)
	82204767	1	J, T		74				Limited only (Chrome)
	82204768	1	J, T		74				Limited only (Black)
	82204769	1	J, T		74				Limited only (Aluminum)
	82205221	1							Laredo only (Dark Gray)
2									STEP KIT, Side, Must Order Support Brackets Separately
	05016656AA	1	J, T		74				Use with 82204595, 82204767 (Chrome)
	05016658AA	1	J, T		74				Use with 82204598, 82204768 (Black)
	05016659AA	1	J, T		74				Use with 82204596 (Driftwood)
	05016660AA	1	J, T		74				Use with 82204599, 82204769 (Aluminum)
	05017502AA	1							Use with 82205221 (Drk Gray)
3									BRACKET KIT, Side Step
	05016662AA	1	J, T		74				Use with 82204767, 82204768, 82204769 Limited only
	05016663AA	1	J, T		74				Use with 82204767, 82204769 82204768 Limited only
	05016664AA	1	J, T		74				Use with 82204595, 82204596, 82204598, 82204599, 82205221 Laredo only
	05016665AA	1	J, T		74				Use with 82204595, 82204596, 82204598, 82204599, 82205221 Laredo only.
4	05016655AA	1	J, T		74				STEP PAD, Side Step, Fits Both Sides

GRAND CHEROKEE (WJ)

SERIES LINE
H = Laredo T = JEEP - 2WD
P = Limited J = JEEP - 4WD

BODY
74 = SPORT UTILITY 4-DR

ENGINE
ERH = ENGINE - 4.0L POWER TECH I-6
EVA = ENGINE- 4.7L V8 MPI

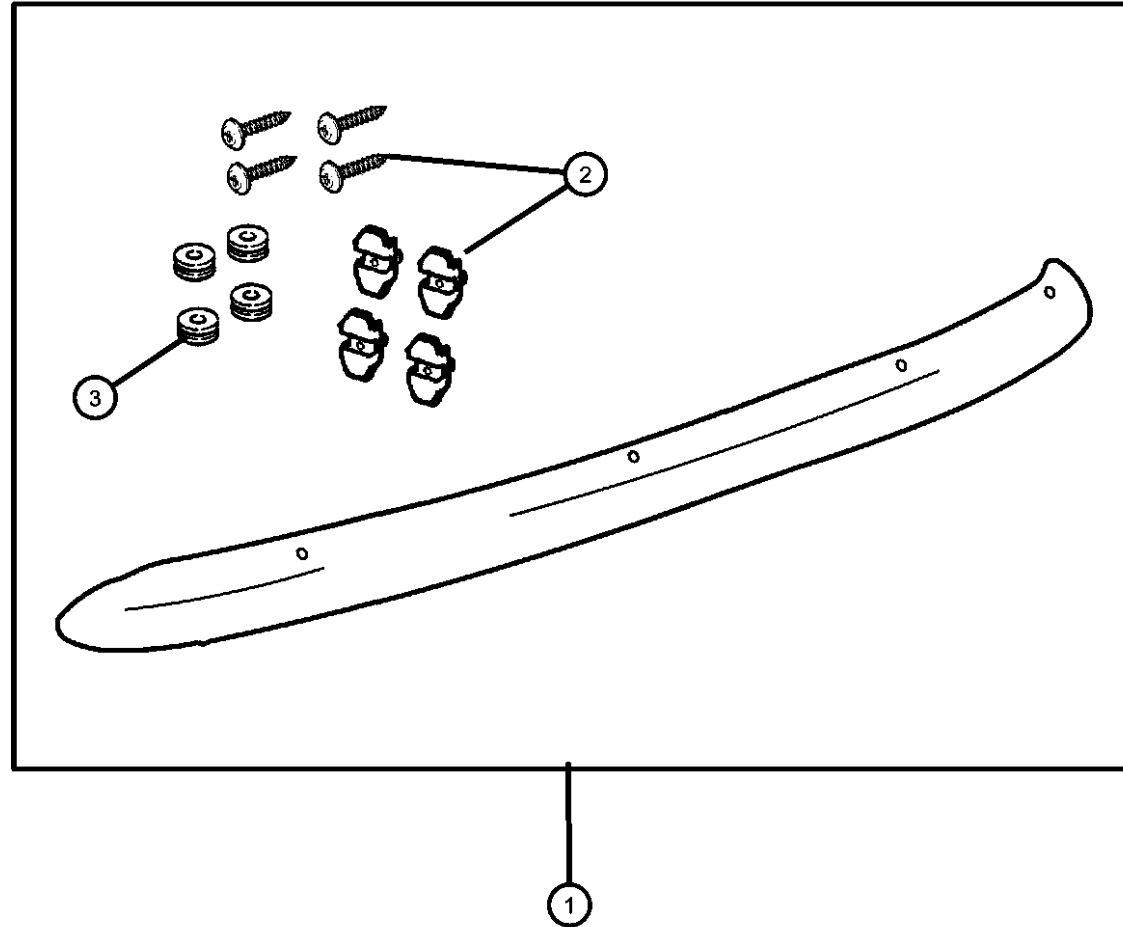
TRANSMISSION
DGK = TRANSMISSION - 4-SPD. AUTOMATIC, 42RE
DGQ = TRANSMISSION-5SPD AUTOMATIC 5-45RFE
DGO = ALL AUTOMATIC TRANSMISSIONS

AR = use ase required - = Non illustrated part

2001 WJ

Shield Kit, Air Front
Figure 1-510

ITEM	PART NUMBER	QTY	LINE	SERIES	BODY	ENGINE	TRANS	TRIM	DESCRIPTION
NOTE: Shield Kit - Color Smoke, Material Lexan.									
NOTE: Order # 82204940 for Multi-Packs of 15.									
1	82204314	1	J, T		74				SHIELD KIT, Air - Front
2	05016373AA	1	J, T		74				RETAINER, Accessories, Consists of: 4-Plastic Retainers and 4-Screws
3	05014754AA	1	J, T		74				SPACER, Air Deflector



GRAND CHEROKEE (WJ)

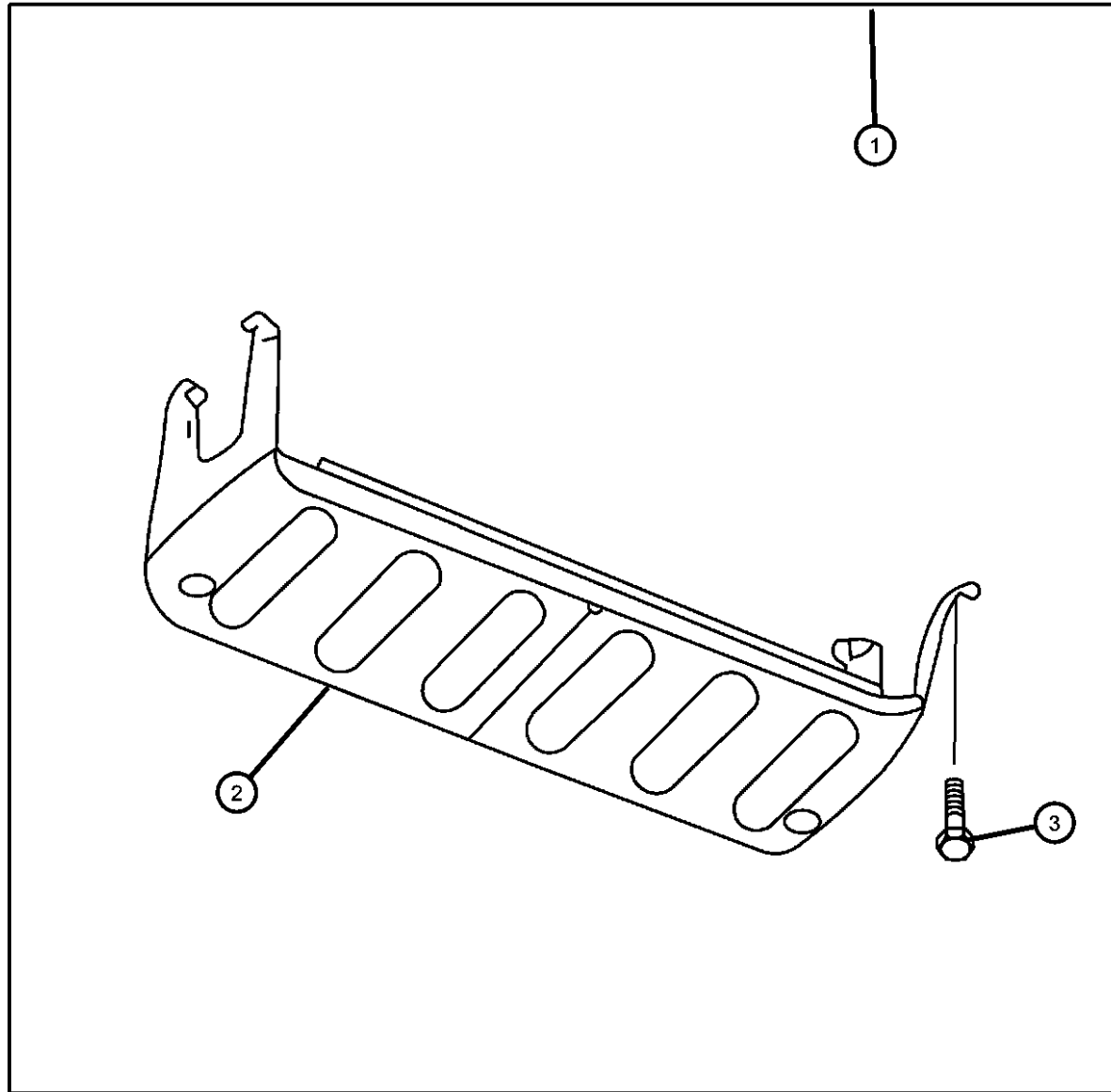
SERIES	LINE	BODY	ENGINE	TRANSMISSION
H = Laredo	T = JEEP - 2WD	74 = SPORT UTILITY 4-DR	ERH = ENGINE - 4.0L POWER TECH I-6	DGK = TRANSMISSION - 4-SPD. AUTOMATIC, 42RE
P = Limited	J = JEEP - 4WD		EVA = ENGINE- 4.7L V8 MPI	DGQ = TRANSMISSION-5SPD AUTOMATIC 5-45RFE DGO = ALL AUTOMATIC TRANSMISSIONS

AR = use ase required - = Non illustrated part

2001 WJ

Skid Plate Package - Front
Figure 1-520

ITEM	PART NUMBER	QTY	LINE	SERIES	BODY	ENGINE	TRANS	TRIM	DESCRIPTION
1	82204488	1	J, T		74				PLATE PACKAGE, Skid - Front
2	52058923	1	J, T		74				SKID PLATE, Front
3	06503571	1	J, T		74				SCREW AND WASHER, M10x1.50x35



GRAND CHEROKEE (WJ)

SERIES

LINE

BODY

ENGINE

TRANSMISSION

H = Laredo

T = JEEP - 2WD

74 = SPORT UTILITY 4-DR

ERH = ENGINE - 4.0L

DGK = TRANSMISSION - 4-SPD.

P = Limited

J = JEEP - 4WD

POWER TECH I-6

AUTOMATIC, 42RE

EVA = ENGINE- 4.7L V8 MPI

DGQ = TRANSMISSION-5SPD

AUTOMATIC 5-45RFE

DGO = ALL AUTOMATIC

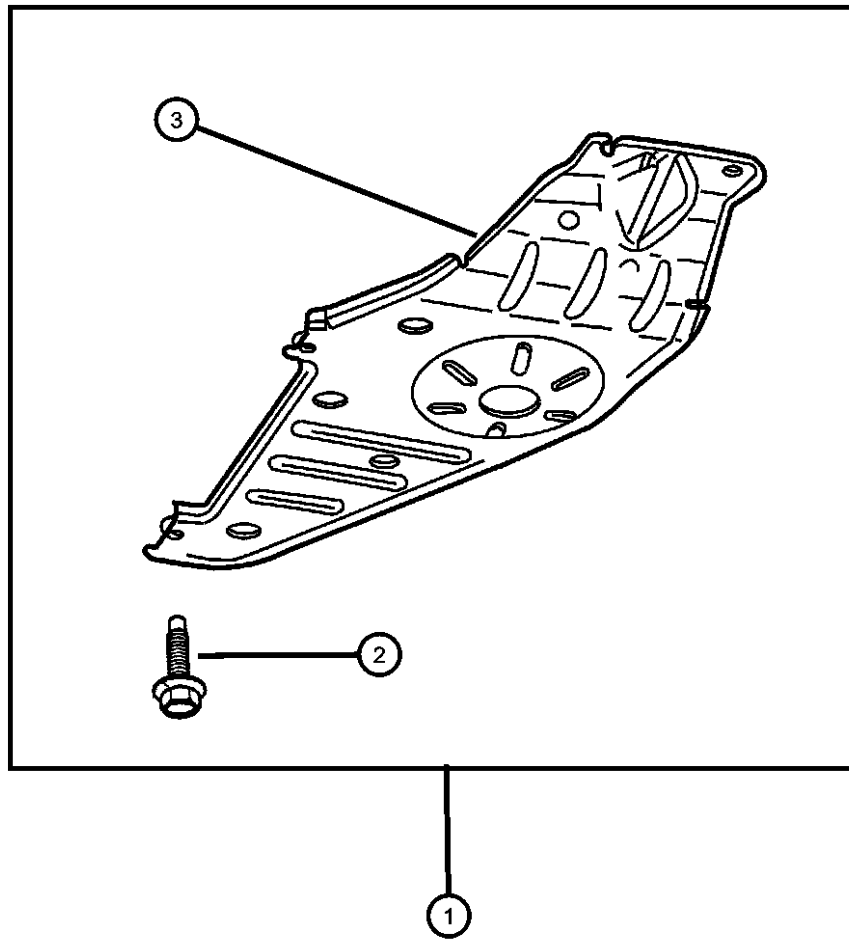
TRANSMISSIONS

AR = use ase required - = Non illustrated part

2001 WJ

Skid Plate Package - Transfer Case
Figure 1-522

ITEM	PART NUMBER	QTY	LINE	SERIES	BODY	ENGINE	TRANS	TRIM	DESCRIPTION
1	82204489	1	J		74				PLATE PACKAGE, Skid - Transfer Case
2	06503571	1	J		74				SCREW AND WASHER, M10x1.50x35
3	52058922	1	J		74				SKID PLATE, Transfer Case
-4	05013886AA	1	J		74				TOOL, Rivnut



GRAND CHEROKEE (WJ)

SERIES	LINE
H = Laredo	T = JEEP - 2WD
P = Limited	J = JEEP - 4WD

BODY
74 = SPORT UTILITY 4-DR

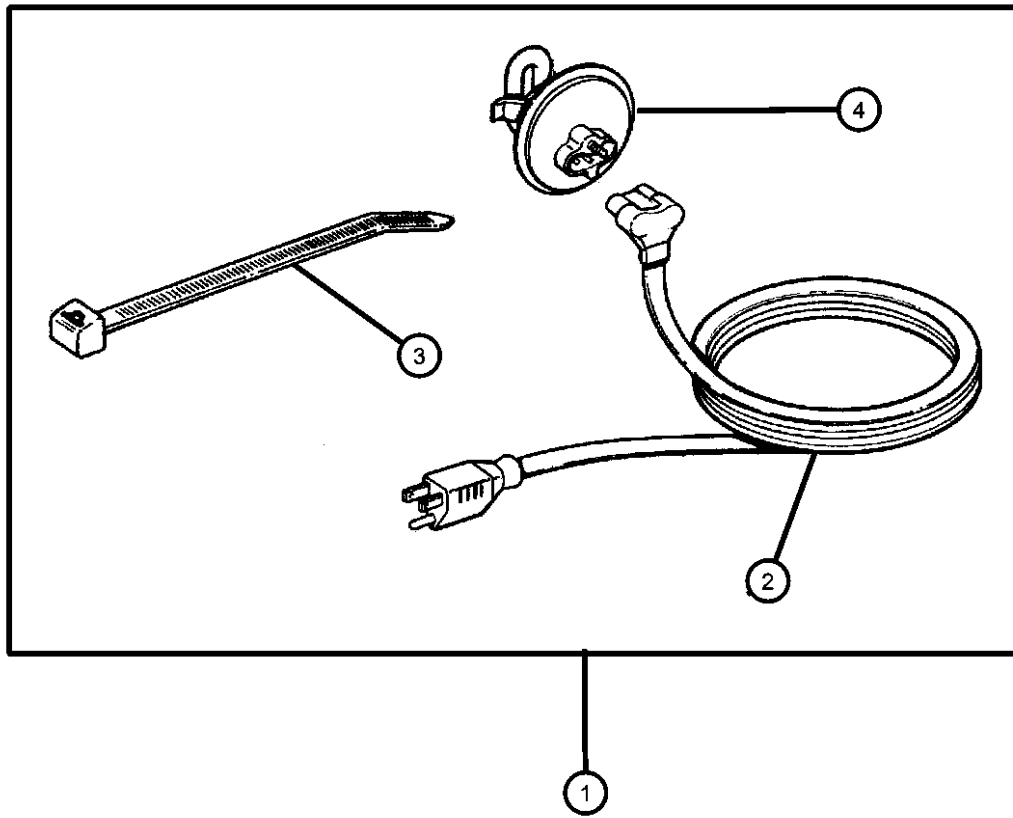
ENGINE
ERH = ENGINE - 4.0L POWER TECH I-6
EVA = ENGINE- 4.7L V8 MPI

TRANSMISSION
DGK = TRANSMISSION - 4-SPD. AUTOMATIC, 42RE
DGQ = TRANSMISSION-5SPD AUTOMATIC 5-45RFE
DGO = ALL AUTOMATIC TRANSMISSIONS

AR = use ase required - = Non illustrated part

Heater Kit
Figure 1-610

ITEM	PART NUMBER	QTY	LINE	SERIES	BODY	ENGINE	TRANS	TRIM	DESCRIPTION
1	82201506	1	J, T		74				HEATER PACKAGE, Engine Block Fits all 4.0L V6 Engines
	82203640	1	J, T		74				Fits all 4.7L V8 Engines
2	56027117	1	J, T		74				CORD, Engine Block Heater 4.7L V8 Engine
	J5752677	1	J, T		74				4.0L V6 Engine
3	04641780	1	J, T		74				STRAP, Tie 4.0L V6 Engine
	56008876	1	J, T		74				4.7L V8 Engine
4	56008876	1							HEATER, Engine Block, Serviced In Assembly, (NOT SERVICED),



GRAND CHEROKEE (WJ)

SERIES

LINE

BODY

ENGINE

TRANSMISSION

H = Laredo

T = JEEP - 2WD

74 = SPORT UTILITY 4-DR

ERH = ENGINE - 4.0L

DGK = TRANSMISSION - 4-SPD.

P = Limited

J = JEEP - 4WD

POWER TECH I-6

AUTOMATIC, 42RE

EVA = ENGINE- 4.7L V8 MPI

DGQ = TRANSMISSION-5SPD

AUTOMATIC 5-45RFE

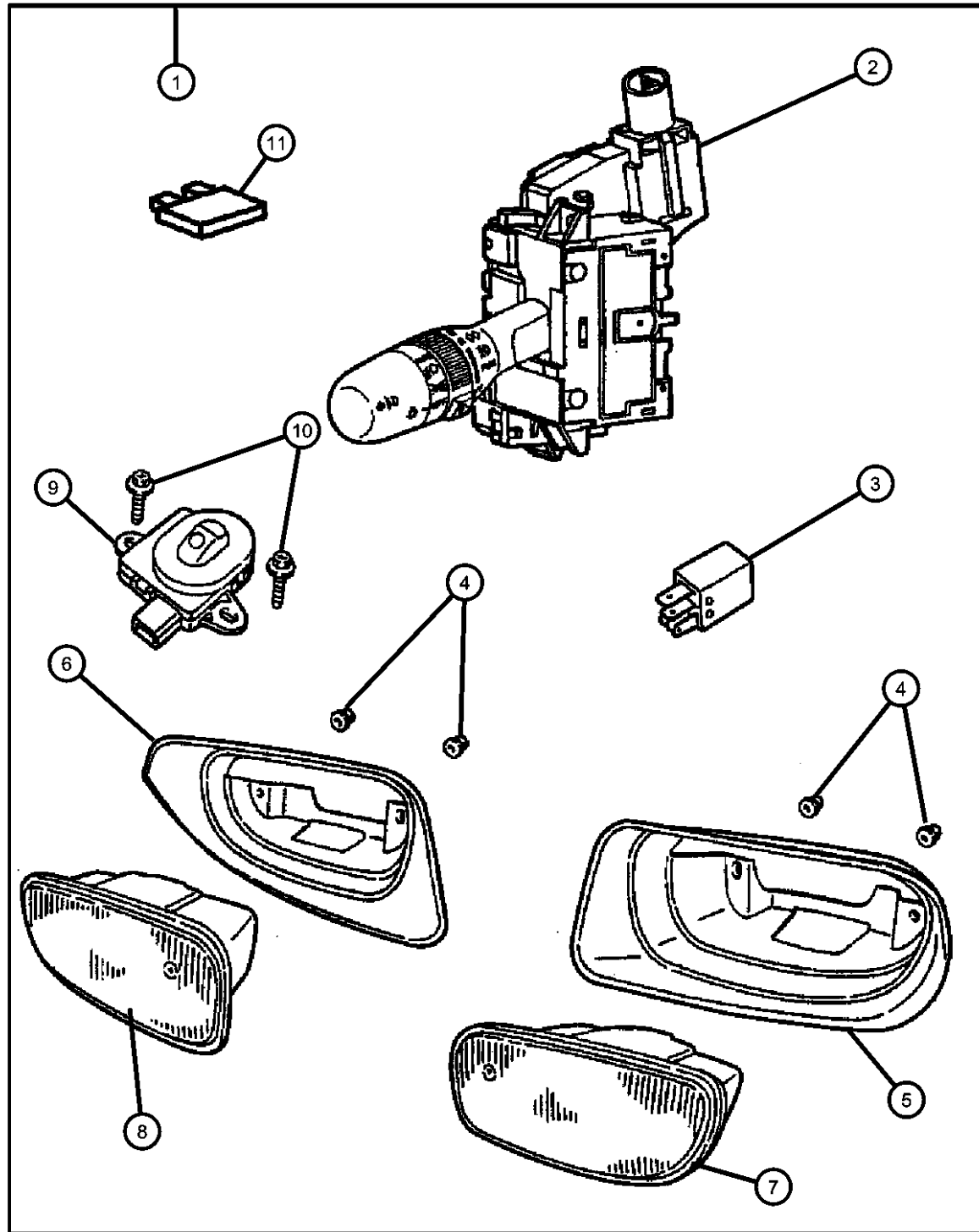
DGO = ALL AUTOMATIC

TRANSMISSIONS

AR = use ase required - = Non illustrated part

2001 WJ

Light Pkg - Fog
Figure 1-615



ITEM	PART NUMBER	QTY	LINE	SERIES	BODY	ENGINE	TRANS	TRIM	DESCRIPTION
1	82206653	1	J, T		74				LIGHT PACKAGE, Fog
2	56042302AG	1	J, T		74				SWITCH, Multifunction
3	04671168	1	J, T		74				RELAY, Mini
4	34201358	1	J, T		74				NUT AND WASHER, Hex Nut-Sealing Washer, M6 x 1.00
5	34201358	1							BEZEL, Fog Lamp, (NOT SERVICED)
6	34201358	1							BEZEL, Fog Lamp, (NOT SERVICED)
7	55155136	1	J, T		74				LAMP, FogRight
8	55155137	1	J, T		74				LAMP, FogLeft
9	56042584AA	1	J, T		74				SENSOR, Headlamp
10	06101946	1	J, T		74				SCREW, Tapping
11	000ATM20	1							FUSE, Mini, 20 AMP, Yellow

GRAND CHEROKEE (WJ)

SERIES LINE
H = Laredo T = JEEP - 2WD
P = Limited J = JEEP - 4WD

BODY
74 = SPORT UTILITY 4-DR

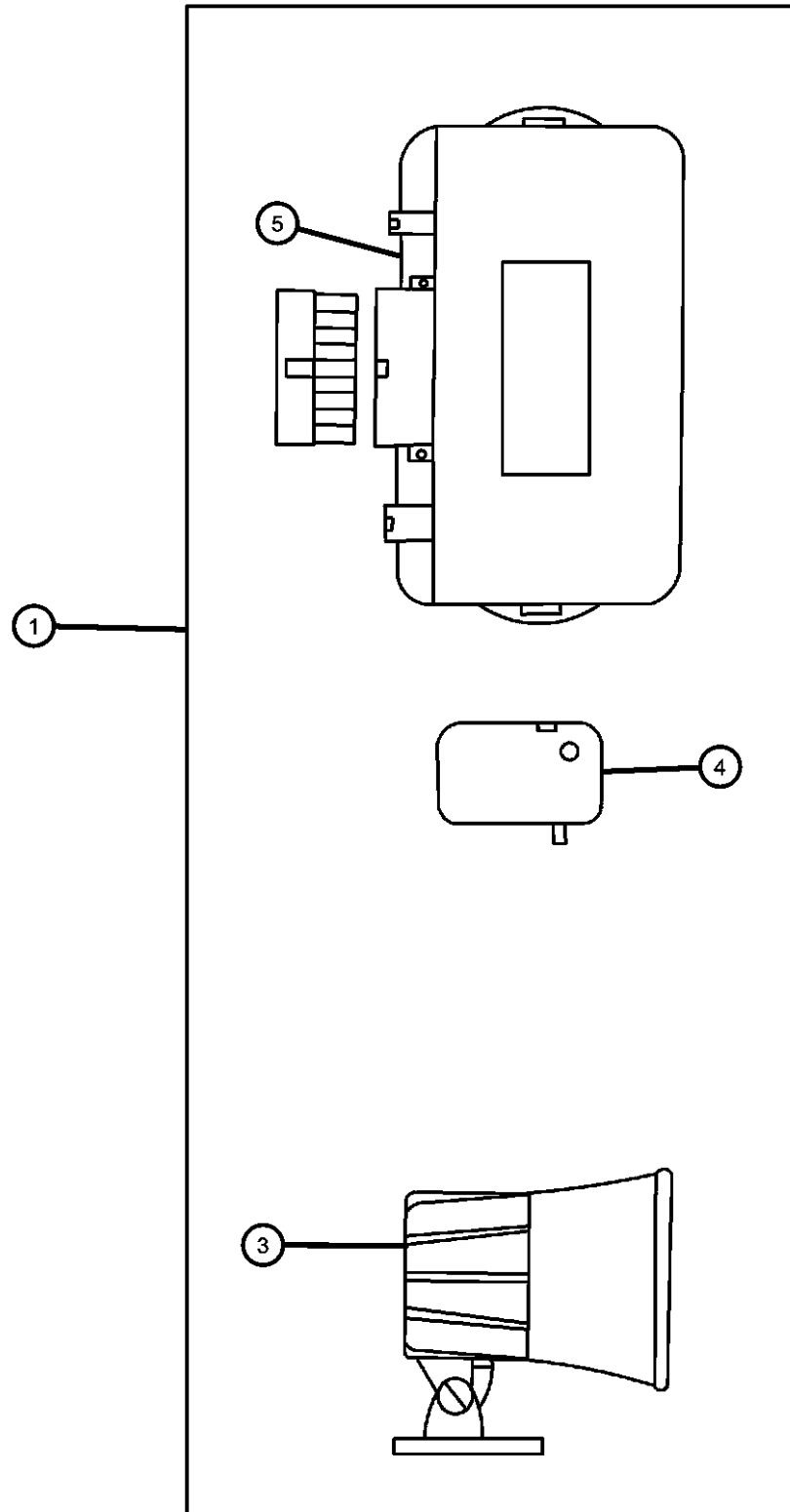
ENGINE
ERH = ENGINE - 4.0L
POWER TECH I-6
EVA = ENGINE- 4.7L V8 MPI

TRANSMISSION
DGK = TRANSMISSION - 4-SPD.
AUTOMATIC, 42RE
DGQ = TRANSMISSION-5SPD
AUTOMATIC 5-45RFE
DGO = ALL AUTOMATIC
TRANSMISSIONS

AR = use ase required - = Non illustrated part

2001 WJ

**Alarm - EVS Plus System
Figure 1-914**



ITEM	PART NUMBER	QTY	LINE	SERIES	BODY	ENGINE	TRANS	TRIM	DESCRIPTION
1	82204268	1	J, T		74				MODULE, Security Alarm
-2	83504802	2							BATTERY, Transmitter
3	82203198	1	J, T		74				SIREN, Alarm
4	04886374AA	1	J, T		74				TRANSMITTER, Alarm or Keyless
5	05011619AA	1	J, T		74				MODULE, Security Alarm
-6	82204688	1	J, T		74				SENSOR KIT, Shock
-7	82204685	1	J, T		74				WIRING KIT, Alarm Security Plus

GRAND CHEROKEE (WJ)

SERIES LINE
H = Laredo T = JEEP - 2WD
P = Limited J = JEEP - 4WD

BODY
74 = SPORT UTILITY 4-DR

ENGINE
ERH = ENGINE - 4.0L
POWER TECH I-6
EVA = ENGINE- 4.7L V8 MPI

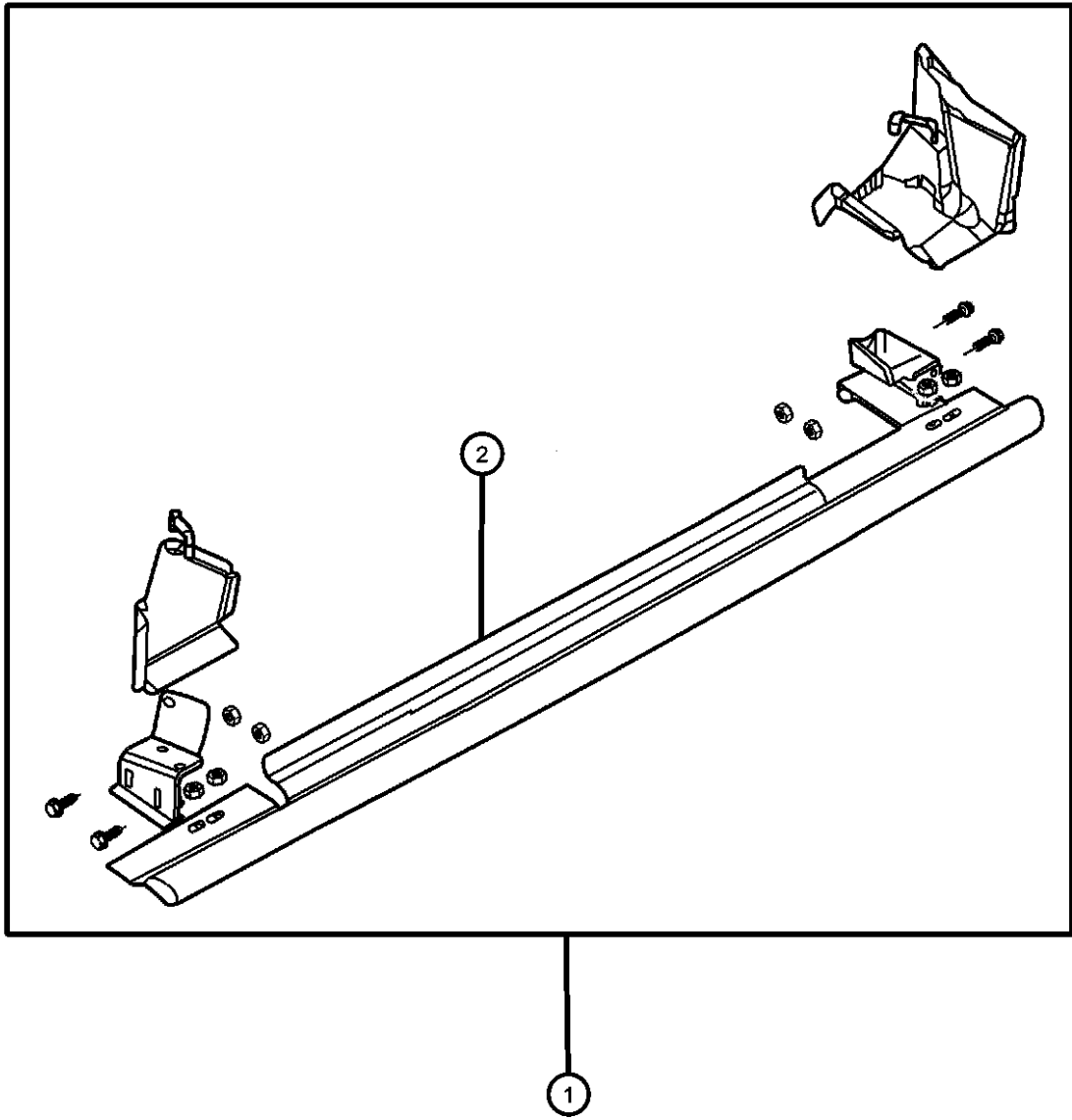
TRANSMISSION
DGK = TRANSMISSION - 4-SPD.
AUTOMATIC, 42RE
DGQ = TRANSMISSION-5SPD
AUTOMATIC 5-45RFE
DGO = ALL AUTOMATIC
TRANSMISSIONS

AR = use ase required - = Non illustrated part

Guard, Rock Rails
Figure 1-1010

ITEM	PART NUMBER	QTY	LINE	SERIES	BODY	ENGINE	TRANS	TRIM	DESCRIPTION
1	82204660	1	J, T		74				GUARD KIT, Bodyside
2									GUARD, Bodyside
	05016850AA	1	J, T		74				Right
	05016851AA	1	J, T		74				Left

NOTE: Brackets and Mounting Hardware Included.



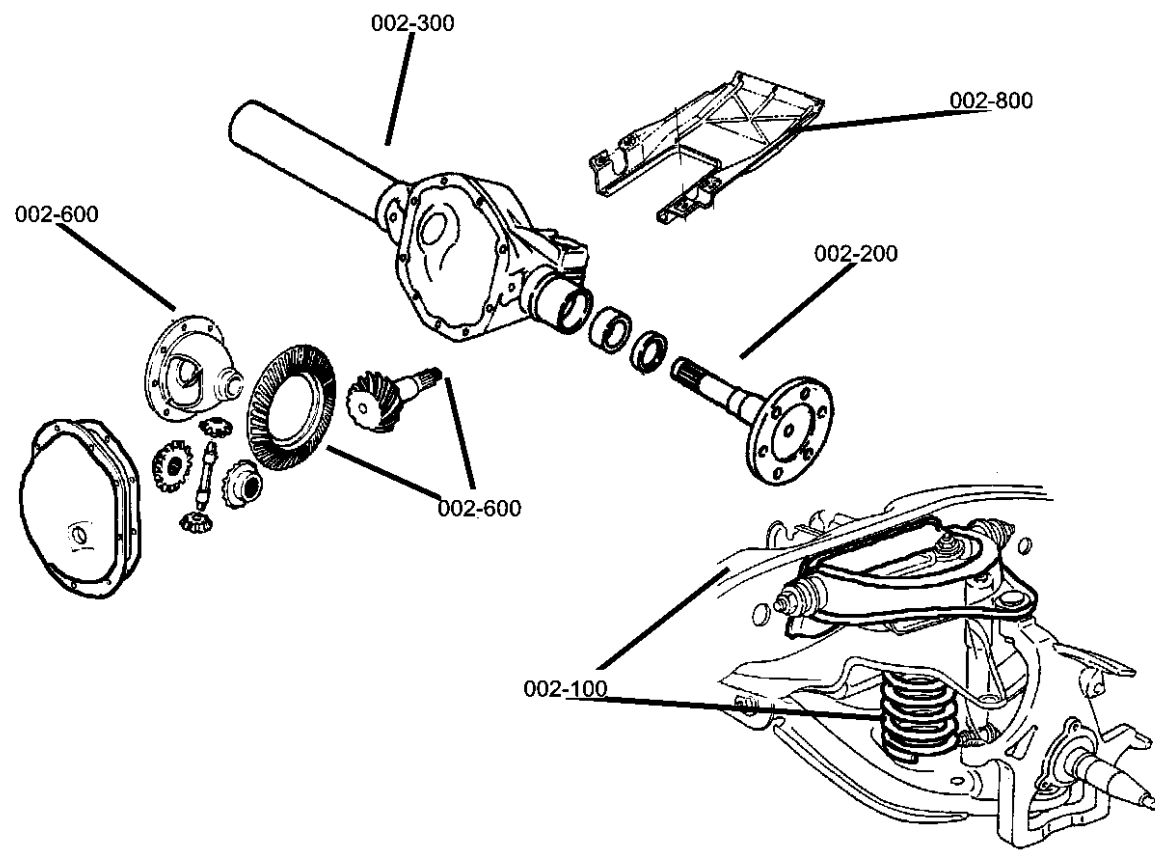
GRAND CHEROKEE (WJ)

SERIES	LINE	BODY	ENGINE	TRANSMISSION
H = Laredo	T = JEEP - 2WD	74 = SPORT UTILITY 4-DR	ERH = ENGINE - 4.0L POWER TECH I-6	DGK = TRANSMISSION - 4-SPD. AUTOMATIC, 42RE
P = Limited	J = JEEP - 4WD		EVA = ENGINE- 4.7L V8 MPI	DGQ = TRANSMISSION-5SPD AUTOMATIC 5-45RFE DGO = ALL AUTOMATIC TRANSMISSIONS

AR = use ase required - = Non illustrated part

Group - 2

Front Suspension & Drive



Group - 2 Front Suspension & Drive

Illustration Title

Group-Fig. No.

Front Suspension

Suspension, Front Springs with Control Arms and Shocks Fig. 2 - 110
 Front Stabilizer Bar and Track Bar Fig. 2 - 120

Front Axle Drive Shafts

Front Axle Shafts Fig. 2 - 210

Front Axle Housing

Housing, Front Axle, 2 Wheel Drive Fig. 2 - 310
 Housing, Front Axle, 4 Wheel Drive Fig. 2 - 320

Front Axle Assembly

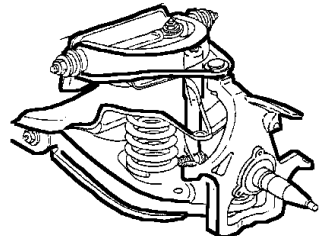
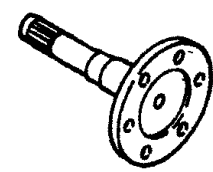
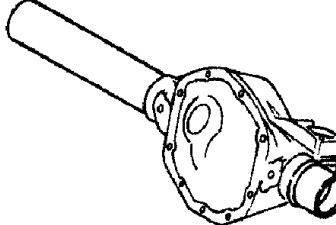
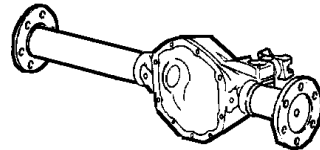
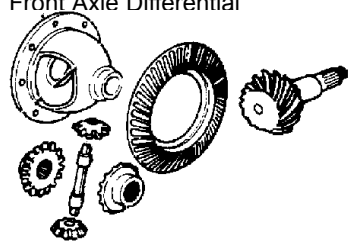
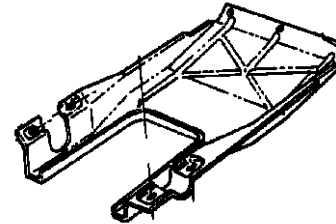
Front Axle Assembly Fig. 2 - 410

Front Axle Differential

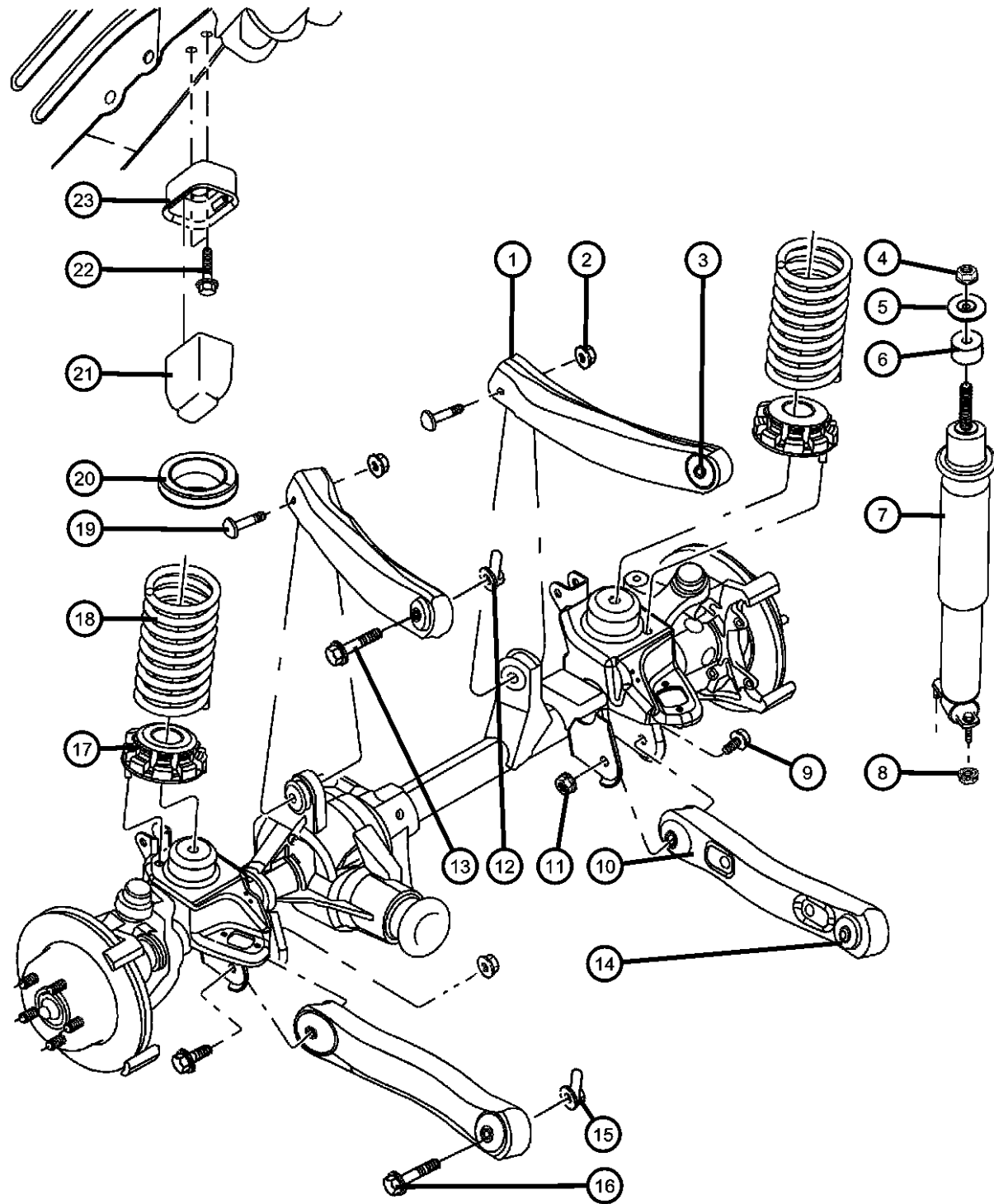
Differential, Front Axle Fig. 2 - 610

Front Axle Skid Plate

Skid Plate, Front Axle Fig. 2 - 810

<p>002-100 Front Suspension</p> 	<p>002-200 Front Axle Drive Shafts</p> 	<p>002-300 Front Axle Housing</p> 	<p>002-400 Front Axle Assembly</p> 
<p>002-600 Front Axle Differential</p> 	<p>002-800 Front Axle Skid Plate</p> 		

Suspension, Front Springs with Control Arms and Shocks
Figure 2-110



ITEM	PART NUMBER	QTY	LINE	SERIES	BODY	ENGINE	TRANS	TRIM	DESCRIPTION
------	-------------	-----	------	--------	------	--------	-------	------	-------------

NOTES:
 ER0 = All 4.0L 6 Cyl Gas Engines
 EV0 = All 4.7L Gas Engines
 SDA = Quadra Coil Suspension(Standard)
 SDJ = Firm Suspension
 SDU = Heavy Duty Suspension
 LCA = Lower Control Arm
 UCA = Upper Control Arm
 Check Vin Number For the 'Z' Code on Front Springs
 Markets:
 U = United States
 C = Canada
 M = Mexico
 B = Export

1	52088208AC	2							ARM, Control, with Bushing, Upper
2	06502696	2							NUT, Hex Flange Lock, M14x1.50, UCA to Axle Mounting
3	52088214	2	J						BUSHING, Control Arm, to Sill, Upper
4	06503073	2							NUT, Nylock Hex, M10x1.5, Shock Mounting, Upper
5	52088517	2							RETAINER, Shock AbsorberUpper
6	52088289	2							GROMMET, Shock AbsorberUpper
7									SHOCK ABSORBER PACKAGE, Suspension, Front
	05014730AH	2							[SDA]
	0SGR5128								Rancho Shock
	G0060052								Mopar V-Line Alternative Part
	0SG23338								Mopar V-Line Alternative Part
	05014732AC	2							[SDU]
	0SGR5128								Rancho Shock
	G0060052								Mopar V-Line Alternative Part
8	06101695	4							NUT, Hex Flange Lock, M8x1.25, Shock Mounting, Lower
9	06505214AA	2							SCREW, Hex Flange Head, M14x2.00x114, LCA to Axle Mounting
10	52088217AB	2							ARM, Control, with Bushing, Lower
11	06502698	3							NUT, Hex Flange Lock, LCA to Axle Mounting
12	06505438AA	2							NUT, Hex, M10-1.5, UCA to Sill Mounting

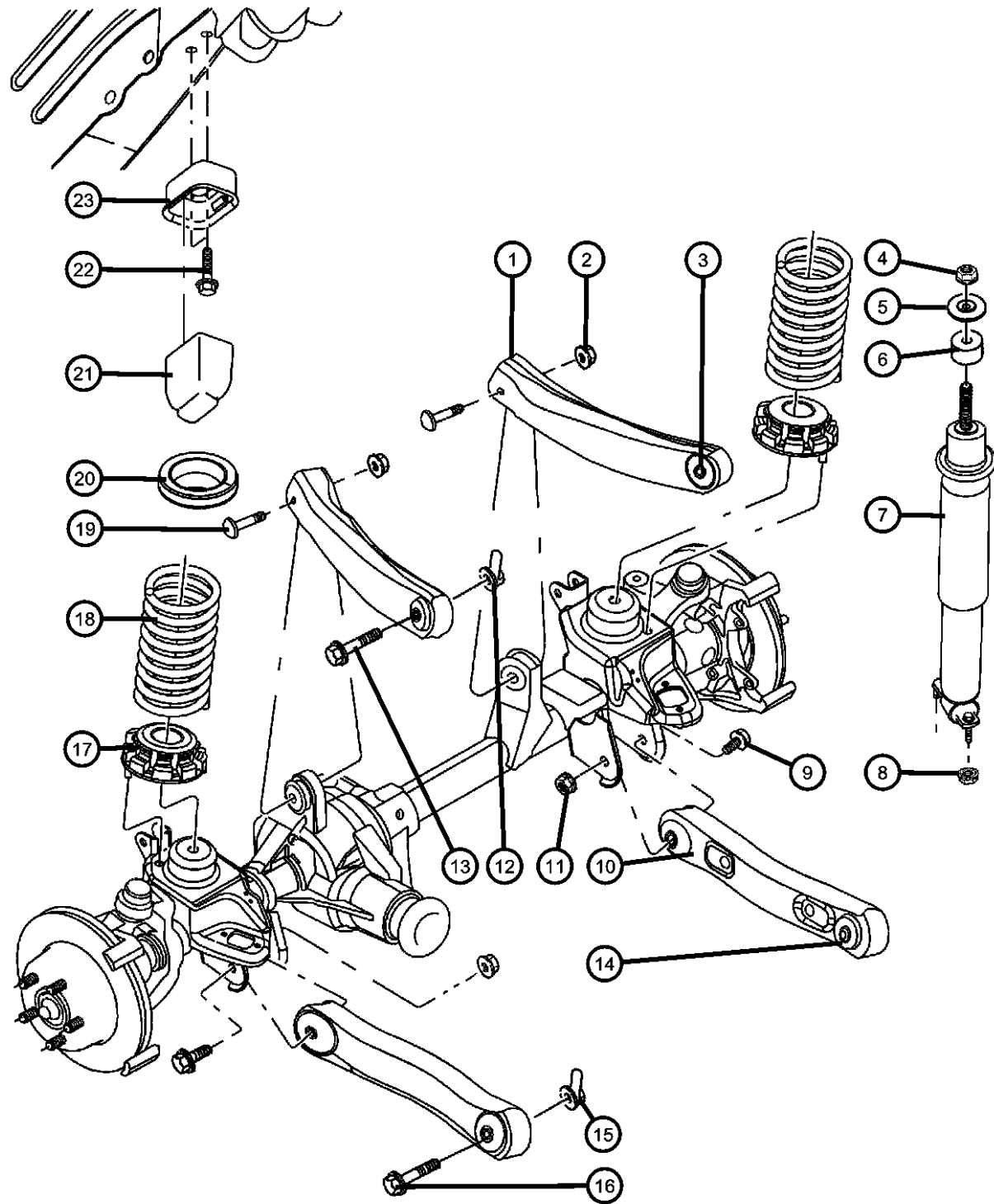
GRAND CHEROKEE (WJ)

SERIES	LINE	BODY	ENGINE	TRANSMISSION
H = Laredo	T = JEEP - 2WD	74 = SPORT UTILITY 4-DR	ERH = ENGINE - 4.0L POWER TECH I-6	DGK = TRANSMISSION - 4-SPD. AUTOMATIC, 42RE
P = Limited	J = JEEP - 4WD		EVA = ENGINE- 4.7L V8 MPI	DGQ = TRANSMISSION-5SPD AUTOMATIC 5-45RFE
				DGO = ALL AUTOMATIC TRANSMISSIONS

AR = use ase required - = Non illustrated part

2001 WJ

Suspension, Front Springs with Control Arms and Shocks
Figure 2-110



ITEM	PART NUMBER	QTY	LINE	SERIES	BODY	ENGINE	TRANS	TRIM	DESCRIPTION
13	06505472AA	2							SCREW, Hex Flange Head, M10x1.50x81, UCA to Sill Mounting
14	52088220	2							BUSHING, Control Arm, UCA to Sill
15	06505439AA	1							NUT AND RETAINER, Hex Flange Locking, M14 x 2.00, LCA to Sill
16	06506033AA	2							BOLT, Hex Flange Head, M14x2.00x105.00, LCA to Sill
17	52088401	2							ISOLATOR, Front Suspension SpringLower
18									SPRING, Front Coil
	52088262	1							[ZKE,ZYE]
	52088263	1							[ZKF,ZYF]
	52088264	1							[ZKG,ZYG]
	52088265	1							[ZKH,ZYH]
	52088267	1							[ZLE,ZZE]
	52088268	1							[ZLF,ZZF]
	52088269	1							[ZK1,ZY1]
	52089421	1							[ZLG,ZZG]
19	06505306AA	2							SCREW, Truss Head, M10x1.5x70, UCA to Axle Mounting
20	52088257AB	2							ISOLATOR, Front Suspension SpringUpper
21	52088256	2							BUMPER, JounceUpper
22	06100584	4				ER0, EVO			BOLT AND CONED WASHER, Hex Head, M8x30x20Upper
23	52088254	2							CUP, Jounce BumperUpper

GRAND CHEROKEE (WJ)

SERIES LINE
H = Laredo T = JEEP - 2WD
P = Limited J = JEEP - 4WD

BODY
74 = SPORT UTILITY 4-DR

ENGINE
ERH = ENGINE - 4.0L POWER TECH I-6
EVA = ENGINE- 4.7L V8 MPI

TRANSMISSION
DGK = TRANSMISSION - 4-SPD. AUTOMATIC, 42RE
DGG = TRANSMISSION-5SPD AUTOMATIC 5-45RFE
DGO = ALL AUTOMATIC TRANSMISSIONS

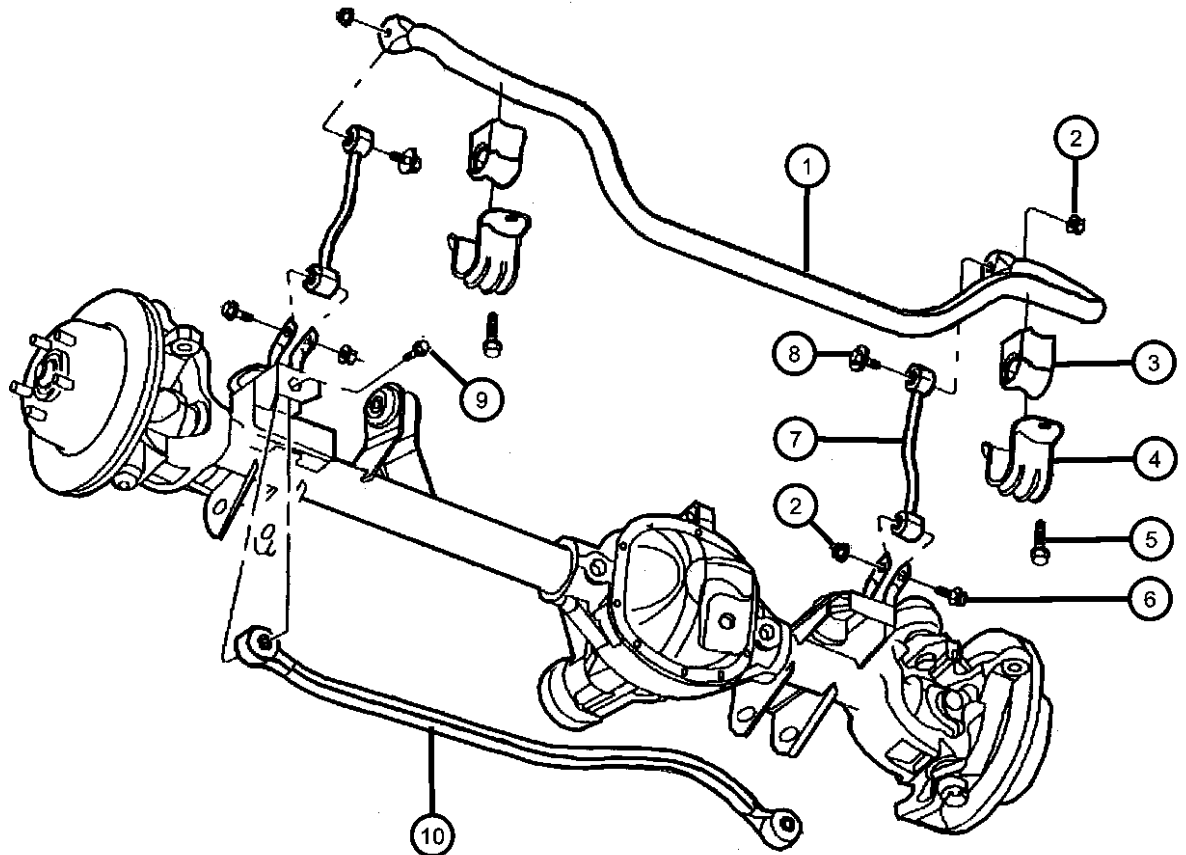
AR = use ase required - = Non illustrated part

2001 WJ

**Front Stabilizer Bar and Track Bar
Figure 2-120**

ITEM	PART NUMBER	QTY	LINE	SERIES	BODY	ENGINE	TRANS	TRIM	DESCRIPTION
------	-------------	-----	------	--------	------	--------	-------	------	-------------

Note:Sales Codes;
ER0 = ALL 4.0L Engine 6 Cyl Gas
EV0 = 4.7L Engine Gas
J = 4 WD-Left Hand Drive
T = 2 WD-Left Hand Drive



1	52088281	1				ER0, EV0			BAR, Front Sway
2	06502697	4							NUT, Hex Flange Lock, M12x1.75
3	52088284AC	2							BUSHING, Stabilizer Bar
4	52088285	2							RETAINER, Stabilizer Bar Grommet
5	06502936	4							SCREW AND WASHER, Hex Head Pilot Point, M12x1.75x45
6	06502473	2							BOLT, Hex Flange Head, M12x1.75x65
7	52088283	2							LINK, Sway Eliminator
8	06505353AA	2							SCREW AND WASHER, M12x1.75x60
9	06506147AA	1							SCREW, Hex Flange Head, M12x1.75x80, Track Bar to Axle, Mounting
10	52088305AB	1		J					TRACK BAR, Front
		1		T					
-11	06505324AA	1							BOLT AND RETAINER, M12x1.75x80, Track Bar to Body, Mounting
-12	06502697	1							NUT, Hex Flange Lock, M12x1.75, Track Bar to Body, Mounting

GRAND CHEROKEE (WJ)

SERIES LINE
H = Laredo T = JEEP - 2WD
P = Limited J = JEEP - 4WD

BODY
74 = SPORT UTILITY 4-DR

ENGINE
ERH = ENGINE - 4.0L
POWER TECH I-6
EVA = ENGINE- 4.7L V8 MPI

TRANSMISSION
DGK = TRANSMISSION - 4-SPD.
AUTOMATIC, 42RE
DGQ = TRANSMISSION-5SPD
AUTOMATIC 5-45RFE
DGO = ALL AUTOMATIC
TRANSMISSIONS

AR = use ase required - = Non illustrated part

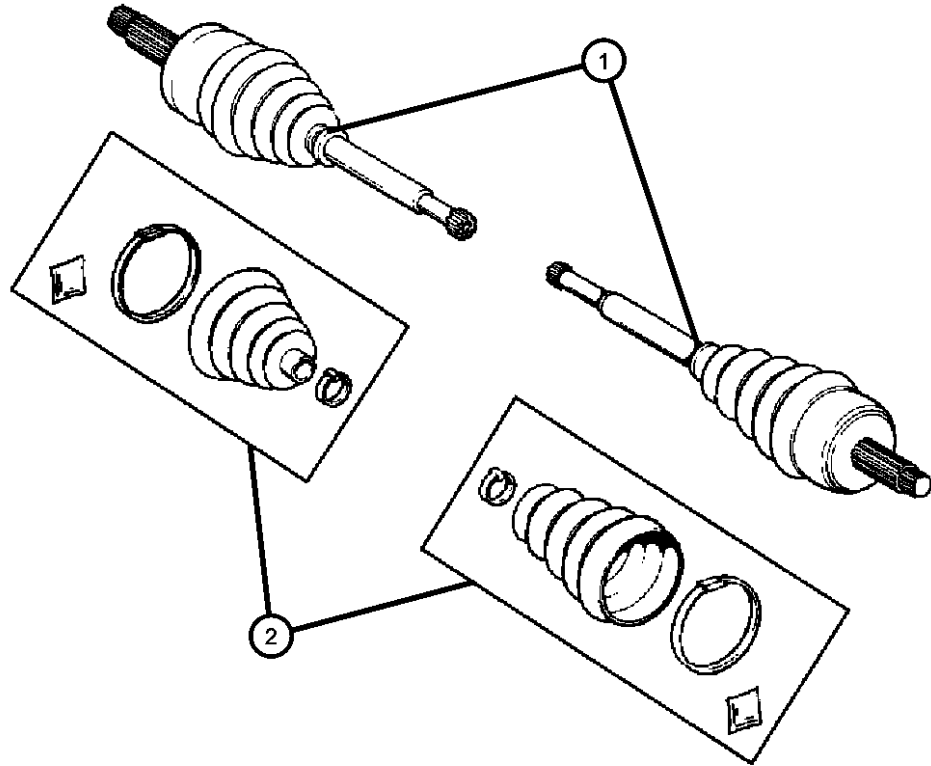
2001 WJ

**Front Axle Shafts
Figure 2-210**

ITEM	PART NUMBER	QTY	LINE	SERIES	BODY	ENGINE	TRANS	TRIM	DESCRIPTION
------	-------------	-----	------	--------	------	--------	-------	------	-------------

NOTE:
DSB = Vari-Lok Progressive Axle
J = 4 Wheel Drive-Left Hand Drive

1									SHAFT, Axle
	05012456AA	1	J						[-DSB], Right
	05012457AA	1	J						[-DSB], Left
	05012748AA	1	J						[+DSB], Right
	05012749AA	1	J						[+DSB], Left
2	04796233	1	J						BOOT KIT, Half Shaft, Consists of 1-Boot,2-Clamps and 1 Grease Packet, Right And Left



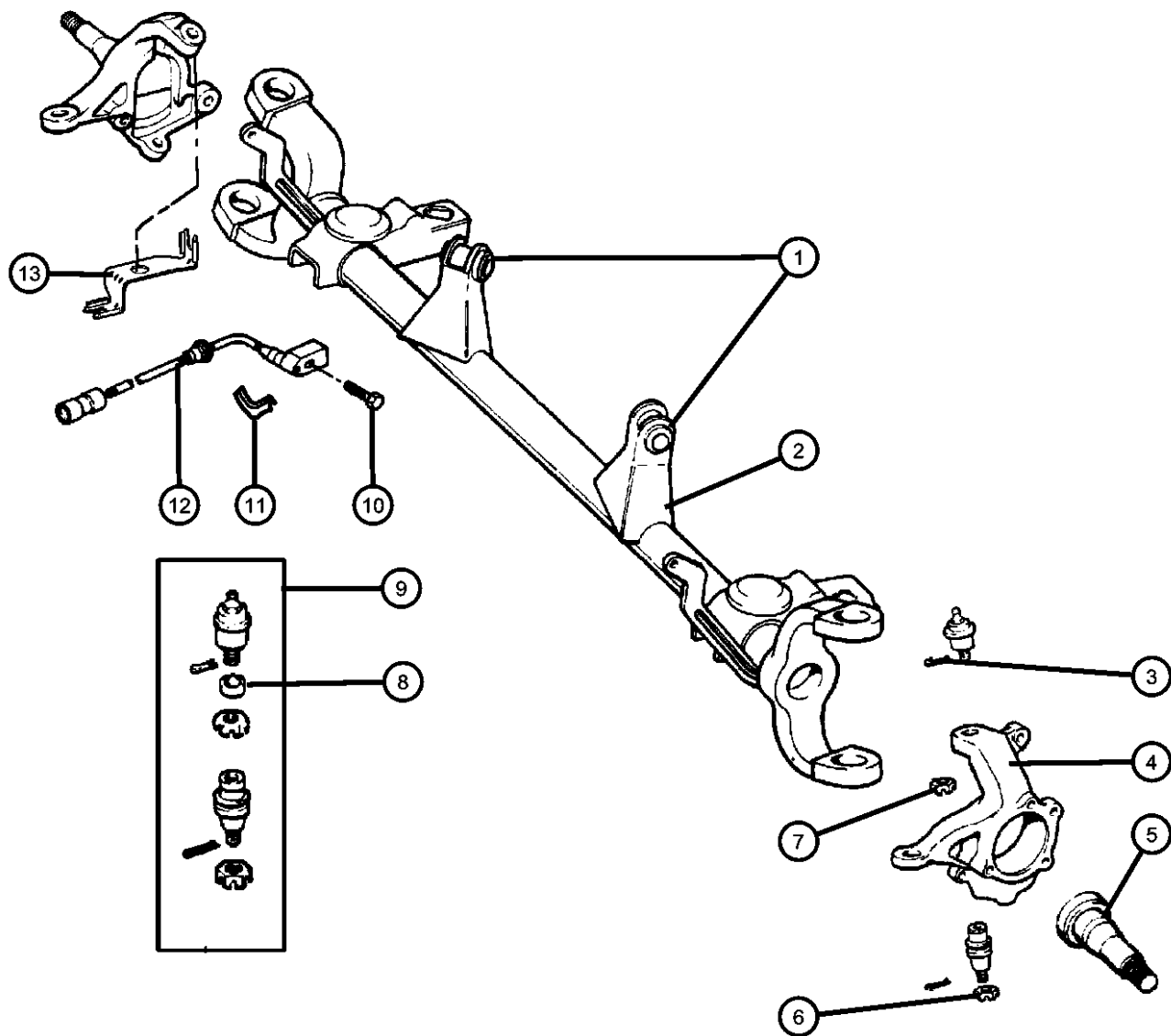
GRAND CHEROKEE (WJ)

SERIES	LINE	BODY	ENGINE	TRANSMISSION
H = Laredo	T = JEEP - 2WD	74 = SPORT UTILITY 4-DR	ERH = ENGINE - 4.0L POWER TECH I-6	DGK = TRANSMISSION - 4-SPD. AUTOMATIC, 42RE
P = Limited	J = JEEP - 4WD		EVA = ENGINE- 4.7L V8 MPI	DGQ = TRANSMISSION-5SPD AUTOMATIC 5-45RFE DGO = ALL AUTOMATIC TRANSMISSIONS

AR = use ase required - = Non illustrated part

2001 WJ

Housing,Front Axle,2 Wheel Drive
Figure 2-310



ITEM	PART NUMBER	QTY	LINE	SERIES	BODY	ENGINE	TRANS	TRIM	DESCRIPTION
T=LHD-2 Wheel Drive									
1	52088214	2	T						BUSHING, Control ArmUpper
2	05012433AA	1	T						HOUSING, Axle
3	11010069	2	T						PIN, Cotter, M4x40.00
4									KNUCKLE, Front
	05011976AA	1	T						Right
	05011977AA	1	T						Left
5	05012438AA	2	T						SHAFT, DummyRight & Left
6	J8123318	2	T						NUT, Upper Ball Joint Mounting
7	J0125258	2	T						NUT, Hex Slotted, Upper Ball Joint Mounting
8	83500203	1	T						RING, Ball JointUpper
9	05012432AA	2	T						BALL JOINT KIT, Knuckle
10	05012434AA	2	T						BOLT, Sensor Mounting
11									BRACKET, Brake Sensor Wire
	05014324AA	1	T						Right
	05014325AA	1	T						Left
12									SENSOR, Wheel Speed
	56041316AB	1	T						Right
	56041317AB	1	T						Left
13									BRACKET, Brake Sensor
	56026766	1	T						Right
	56026767	1	T						Left

GRAND CHEROKEE (WJ)

SERIES LINE
H = Laredo T = JEEP - 2WD
P = Limited J = JEEP - 4WD

BODY
74 = SPORT UTILITY 4-DR

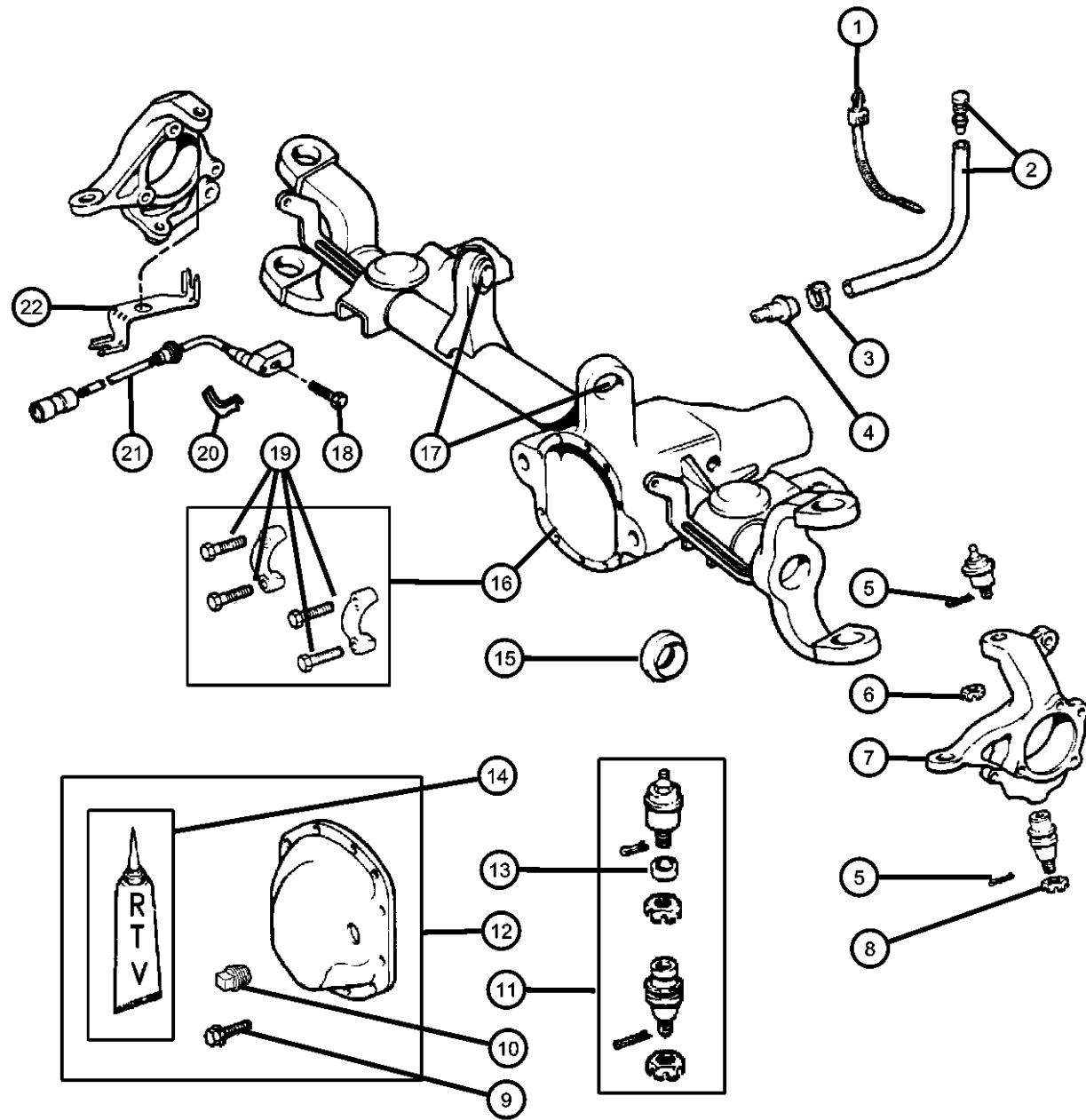
ENGINE
ERH = ENGINE - 4.0L
POWER TECH I-6
EVA = ENGINE- 4.7L V8 MPI

TRANSMISSION
DGK = TRANSMISSION - 4-SPD.
AUTOMATIC,42RE
DGQ = TRANSMISSION-5SPD
AUTOMATIC 5-45RFE
DGO = ALL AUTOMATIC
TRANSMISSIONS

AR = use ase required - = Non illustrated part

2001 WJ

Housing,Front Axle,4 Wheel Drive
Figure 2-320



ITEM	PART NUMBER	QTY	LINE	SERIES	BODY	ENGINE	TRANS	TRIM	DESCRIPTION
NOTE: ER0 = All 4.0L 6 Cyl Gas Engines EV0 = All 4.7L Gas Engines J = 4 Wheel Drive-Left Hand Drive									
1	J4175376	2							STRAP, Tie
2	HFV00516	1	J, U						HOSE, Fuel And Vapor, 25 Foot Roll 5/16"
3	06503573	1							CLIP,Lower
4	05017482AA	1	J						VENT, AxleLower
5	11010069	2	J						PIN, Cotter, M4x40.00Upper And Lower
6	J0125258	1	J						NUT, Hex Slotted
7									KNUCKLE, Front
	05011976AA	1	J						Right
	05011977AA	1	J						Left
8	J8123318	1	J						NUT
9	02954031	10	J						BOLT, Differential Cover
10	J4004751	1	J						PLUG, Differential Cover
11	05012432AA	2	J						BALL JOINT KIT, Knuckle
12	05012451AA	1	J						COVER, Differential
13	83500203	1	J						RING, Ball JointUpper
14	05010884AA	1							SEALANT, RTV
15	04874477	2	J						SEAL, Axle Drive Shaft
16	05012445AB	1	J						HOUSING, Axle
17	52088214	2	J						BUSHING, Control ArmUpper
18	05012434AA	2	J						BOLT, Sensor, Mounting
19	04897482AB	4	J						BOLT, Differential
20									BRACKET, Brake Sensor Wire
	05014324AA	1	J						Right
	05014325AA	1	J						Left
21									SENSOR, Wheel Speed
	56041316AB	1	J						Right
	56041317AB	1	J						Left
22									BRACKET, Brake Sensor
	56026766	1	J						Right
	56026767	1	J						Left

GRAND CHEROKEE (WJ)

SERIES LINE
H = Laredo T = JEEP - 2WD
P = Limited J = JEEP - 4WD

BODY
74 = SPORT UTILITY 4-DR

ENGINE
ERH = ENGINE - 4.0L
POWER TECH I-6
EVA = ENGINE- 4.7L V8 MPI

TRANSMISSION
DGK = TRANSMISSION - 4-SPD.
AUTOMATIC, 42RE
DQG = TRANSMISSION-5SPD
AUTOMATIC 5-45RFE
DGO = ALL AUTOMATIC
TRANSMISSIONS

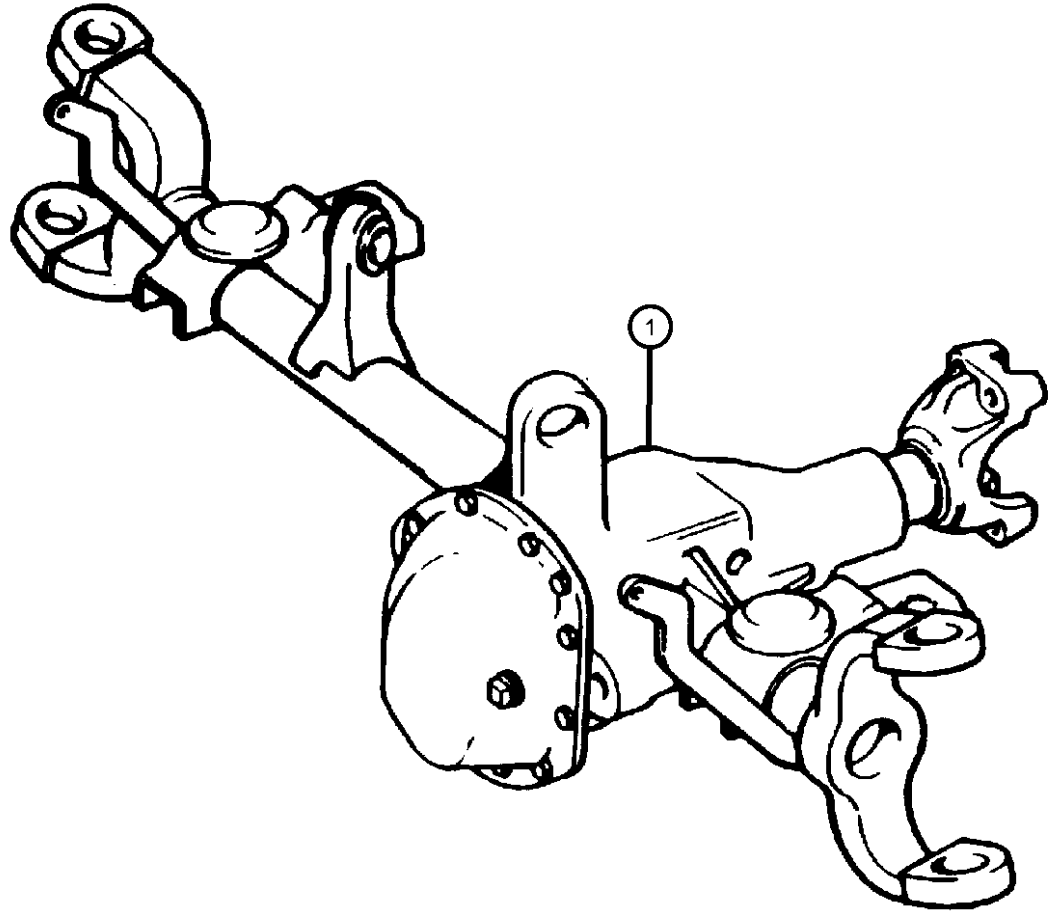
AR = use ase required - = Non illustrated part

2001 WJ

**Front Axle Assembly
Figure 2-410**

ITEM	PART NUMBER	QTY	LINE	SERIES	BODY	ENGINE	TRANS	TRIM	DESCRIPTION
------	-------------	-----	------	--------	------	--------	-------	------	-------------

NOTE:
 DSB = Vari-Lok Progressive Axle
 DHF = Quadra-Trac II on Demand 4 Wheel Drive System
 DHP = Selec-Trac Full Time 4 Wheel Drive System
 DME = 3.73 Ratio
 DMD = 3.55 Ratio
 DMT = 3.91 Ratio
 ER0 = All 4.0L 6 Cyl Gas Engines
 EVO = All 4.7L Gas Engines



1									
	05066445AA	1	J						
	04874468								
	68003054AA								
	04874469								
	68003055AA								
	05066449AA	1	J						
	05073493AA	1	J						
	04874468								
	68003054AA								
	04874469								
	68003055AA								

AXLE, Service Front
 [DME,DHF,DHP] Tag
 52104600AA
 Mopar SAE 80W-90 Gear Lube
 Quart Bottle
 Mopar SAE 80W-90 Gear Lube
 16 Gallon Keg
 Mopar SAE 75W-140 Synthetic
 Gear and Axle Lube Quart
 Mopar SAE 75W-140 Synthetic
 Gear and Axle Lube 16 Gallon
 Keg
 [DME,DHF,DSB] Tag
 52104601AA
 [DMD,DHF,DHP] Tag
 52099187AO
 Mopar SAE 80W-90 Gear Lube
 Quart Bottle
 Mopar SAE 80W-90 Gear Lube
 16 Gallon Keg
 Mopar SAE 75W-140 Synthetic
 Gear and Axle Lube Quart
 Mopar SAE 75W-140 Synthetic
 Gear and Axle Lube 16 Gallon
 Keg

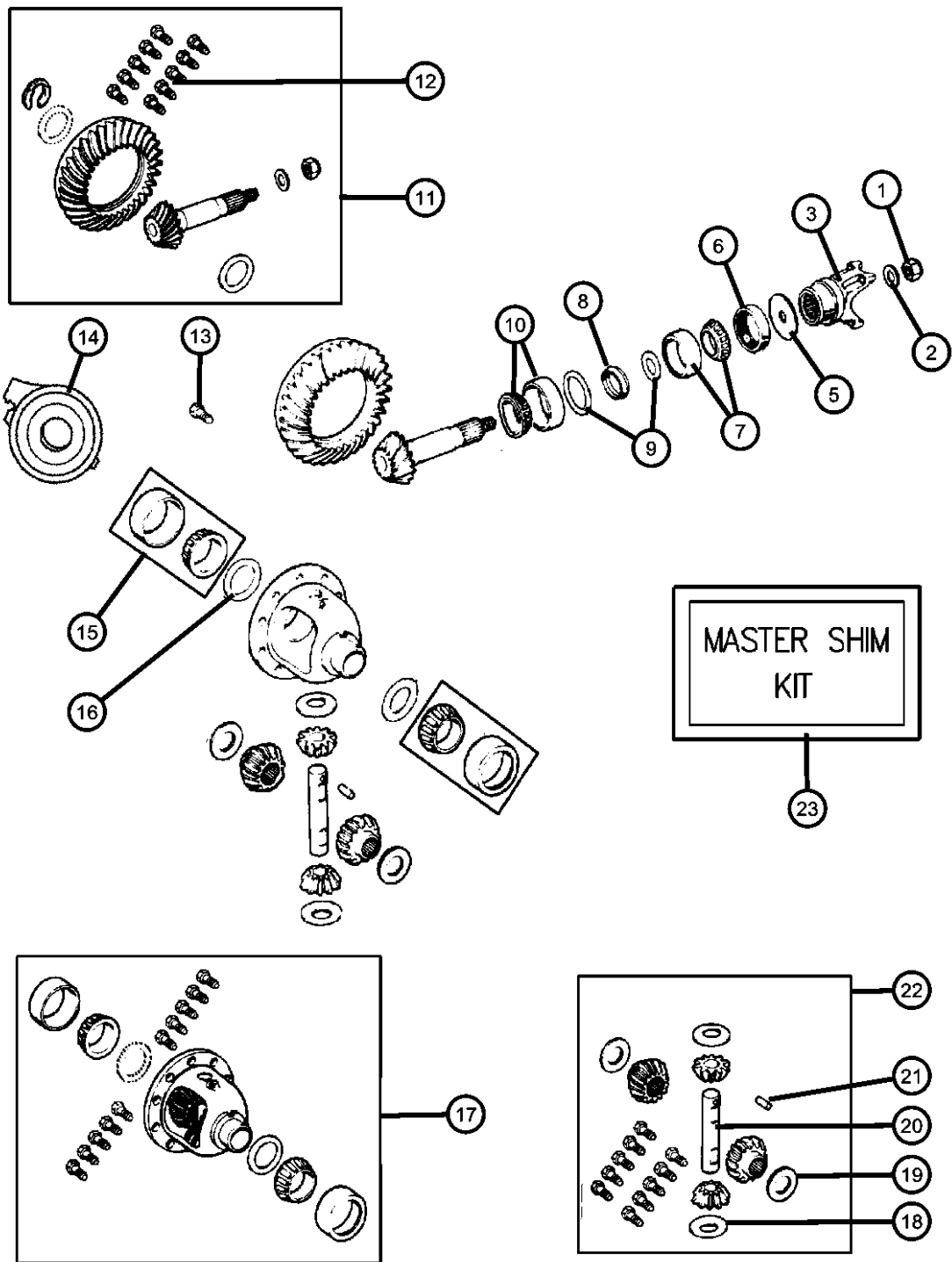
GRAND CHEROKEE (WJ)

SERIES	LINE	BODY	ENGINE	TRANSMISSION
H = Laredo	T = JEEP - 2WD	74 = SPORT UTILITY 4-DR	ERH = ENGINE - 4.0L POWER TECH I-6	DGK = TRANSMISSION - 4-SPD. AUTOMATIC,42RE
P = Limited	J = JEEP - 4WD		EVA = ENGINE- 4.7L V8 MPI	DGQ = TRANSMISSION-5SPD AUTOMATIC 5-45RFE DGO = ALL AUTOMATIC TRANSMISSIONS

AR = use ase required - = Non illustrated part

2001 WJ

Differential, Front Axle
Figure 2-610



ITEM	PART NUMBER	QTY	LINE	SERIES	BODY	ENGINE	TRANS	TRIM	DESCRIPTION
Note:Sales Codes; [DHF] = Quadra-Trac II on Demand 4 Wheel Drive System [DHP]=Selec-Trac Full Time 4 Wheel Drive System [DMD]=Axle Ratio 3.55 [DME]=Axle Ratio 3.73 [DSB]=Axle - Vari-Lok Progressive Front [ER0]=Engines - All 4.0L 6 Cylinder Gas [EV0]=Engines - All 4.7L Gas									
1	01791575	1	J						NUT, Pinion Yoke
2	01791576	1	J						WASHER, Pinion Yoke
3									YOKE, Axle
	05066444AA	1	J						With U-Joint Style Yoke
	05012444AA	1	J						With CV Style Yoke
-4	05012453AA	1	J						O RING, Pinion Flange, Fits Over Hub of Axle Yoke
5	04031974	1	J						SLINGER, Drive Pinion
6	05066446AA	1	J						SEAL, Drive Pinion
7	05252508	1	J						BEARING, Drive Pinion, Bearing and Cup, Front
8	04864845AB	1	J						SPACER, Crush
9									SHIM, Drive Pinion Bearing, Replacement Individual PINION Shims for Master Shim Kit 5017134AA.
	05017139AA	1	J						.052
	05017140AA	1	J						.053
	05017141AA	1	J						.054
	05017142AA	1	J						.055
	05017143AA	1	J						.056
	05017144AA	1	J						.057
	05017145AA	1	J						.058
	05017146AA	1	J						.059
	05017149AA	1	J						.060
	05017150AA	1	J						.061
	05017152AA	1	J						.063
	05017151AA	1	J						.062
	05017153AA	1	J						.064
	05017154AA	1	J						.065

GRAND CHEROKEE (WJ)

SERIES LINE
H = Laredo T = JEEP - 2WD
P = Limited J = JEEP - 4WD

BODY
74 = SPORT UTILITY 4-DR

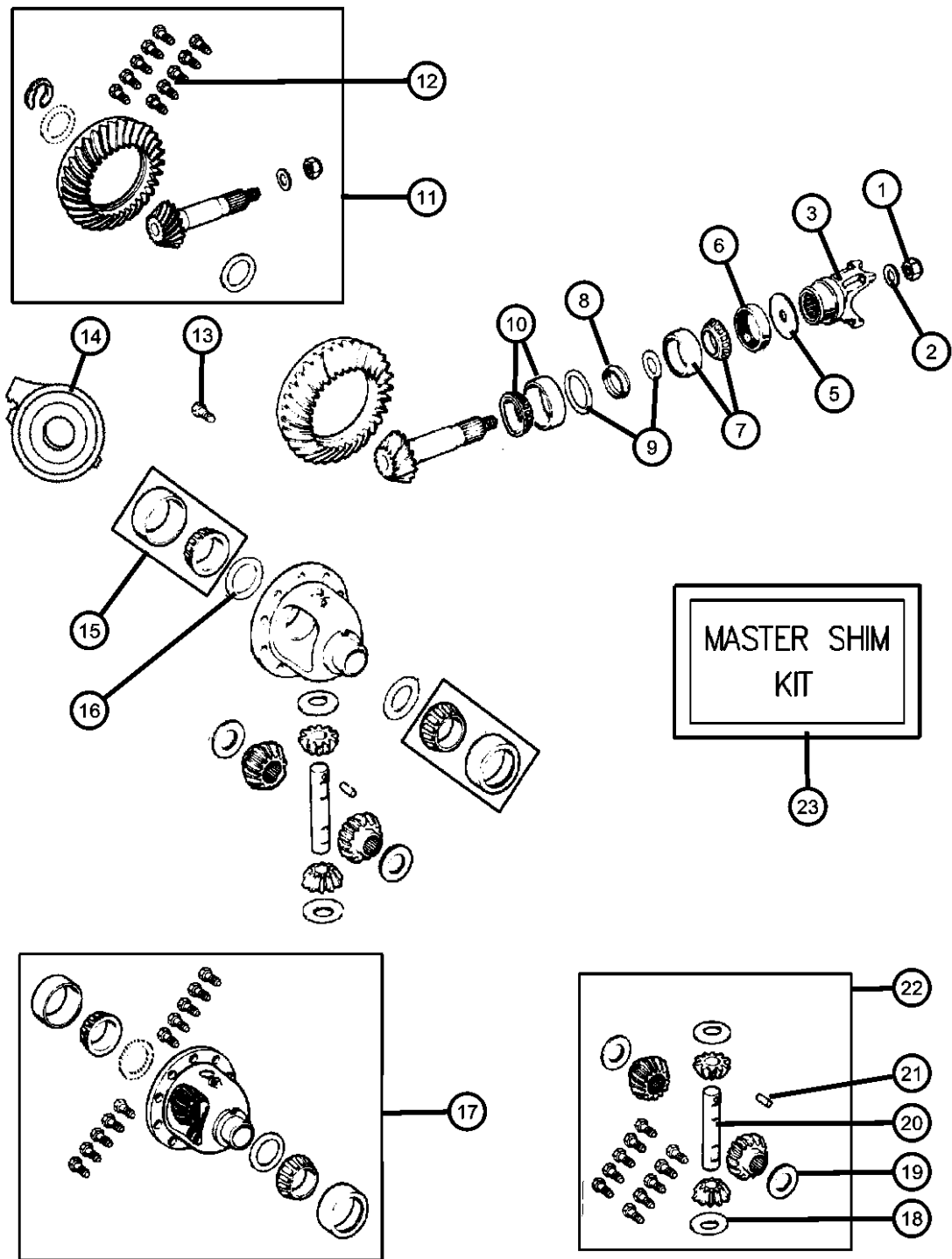
ENGINE
ERH = ENGINE - 4.0L
POWER TECH I-6
EVA = ENGINE- 4.7L V8 MPI

TRANSMISSION
DGK = TRANSMISSION - 4-SPD.
AUTOMATIC, 42RE
DGG = TRANSMISSION-5SPD
AUTOMATIC 5-45RFE
DGO = ALL AUTOMATIC
TRANSMISSIONS

AR = use ase required - = Non illustrated part

2001 WJ

Differential, Front Axle
Figure 2-610



ITEM	PART NUMBER	QTY	LINE	SERIES	BODY	ENGINE	TRANS	TRIM	DESCRIPTION
	05017155AA	1	J						.066
	05017156AA	1	J						.067
10	J8126499	1	J						BEARING, Drive Pinion, Bearing and Cup, Rear
11									GEAR KIT, Ring And Pinion
	05012447AA	1	J			EVO			[DME]
	05012476AB	1	J						[DMD]
12									BOLT KIT
	04720891	1	J			EVO			Consists of 10-5252503 Screws
		1	J			ER0			Consists of 10-5252503 Screws
13	05252503	10	J						SCREW, Drive Gear
14									PLENUM, Differential
	05012725AA	1	J			EVO			[DSB]
		1	J			ER0			[DSB]
15									BEARING, Differential
	J8126500	1	J			EVO			Consists of 2 Bearings and 2 Cups
		1	J			ER0			Consists of 2 Bearings and 2 Cups
16									SHIM, Differential Bearing, Replacement Individual DIFFERENTIAL Shims for Master Kit 5017134AA
	05017218AA	1	J						.109
	05017219AA	1	J						.110
	05017220AA	1	J						.111
	05017221AA	1	J						.112
	05017222AA	1	J						.113
	05017223AA	1	J						.114
	05017224AA	1	J						.115
	05017225AA	1	J						.116
	05017226AA	1	J						.117
	05017227AA	1	J						.118
	05017228AA	1	J						.119
	05017229AA	1	J						.120
	05017231AA	1	J						.122

GRAND CHEROKEE (WJ)

SERIES LINE
H = Laredo T = JEEP - 2WD
P = Limited J = JEEP - 4WD

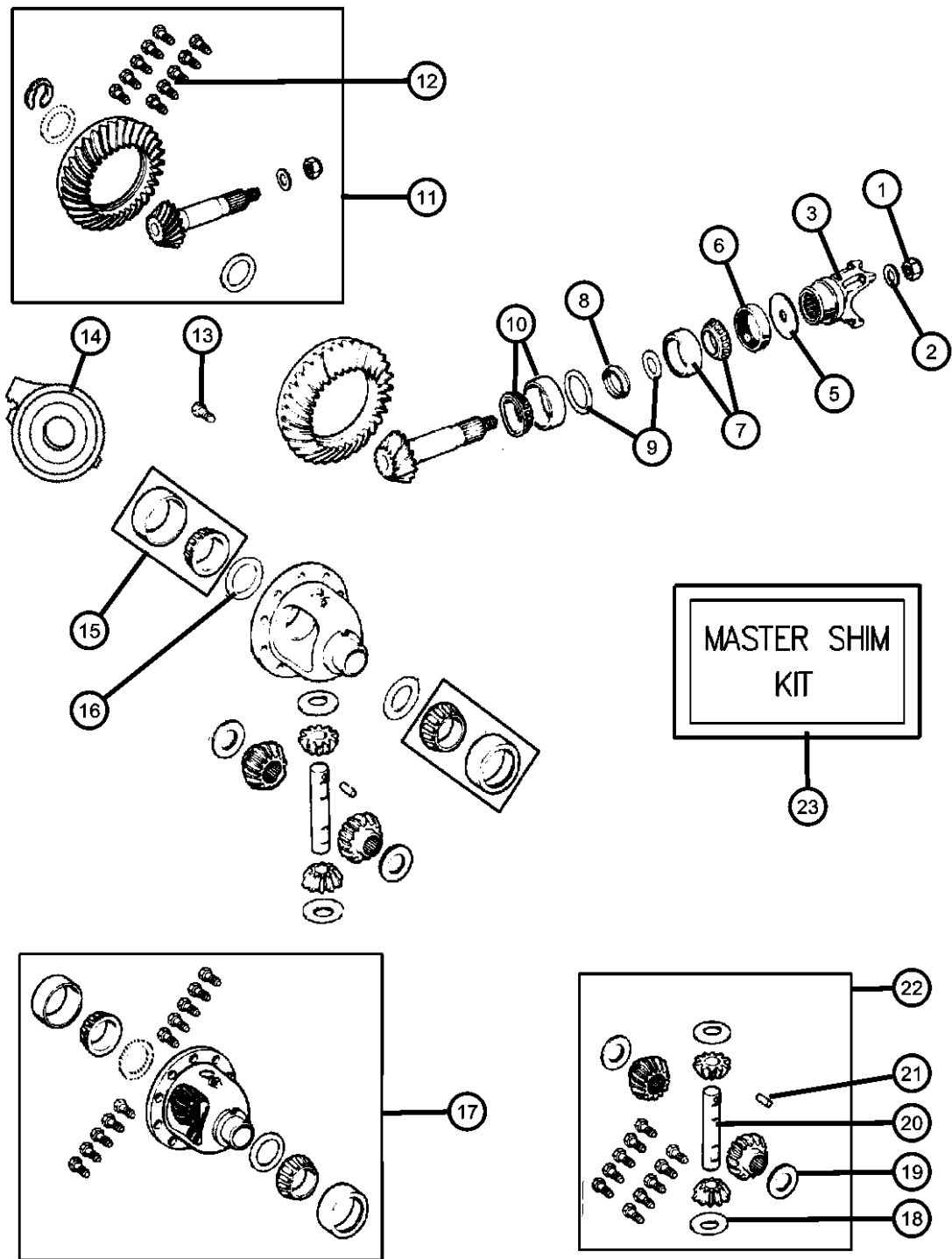
BODY
74 = SPORT UTILITY 4-DR

ENGINE
ERH = ENGINE - 4.0L POWER TECH I-6
EVA = ENGINE- 4.7L V8 MPI

TRANSMISSION
DGK = TRANSMISSION - 4-SPD. AUTOMATIC, 42RE
DGQ = TRANSMISSION-5SPD AUTOMATIC 5-45RFE
DGO = ALL AUTOMATIC TRANSMISSIONS

AR = use ase required - = Non illustrated part

Differential, Front Axle
Figure 2-610



ITEM	PART NUMBER	QTY	LINE	SERIES	BODY	ENGINE	TRANS	TRIM	DESCRIPTION
	05017230AA	1	J						.121
	05017232AA	1	J						.123
	05017233AA	1	J						.124
	05017234AA	1	J						.125
	05017235AA	1	J						.126
	05017236AA	1	J						.127
	05017237AA	1	J						.128
	05017238AA	1	J						.129
	05017239AA	1	J						.130
	05017240AA	1	J						.131
	05017242AA	1	J						.133
	05017241AA	1	J						.132
	05017243AA	1	J						.134
	05017244AA	1	J						.135
	05017245AA	1	J						.136
	05017246AA	1	J						.137
	05017247AA	1	J						.138
	05017249AA	1	J						.140
	05017248AA	1	J						.139
	05017250AA	1	J						.141
	05017251AA	1	J						.142
	05017252AA	1	J						.143
	05017253AA	1	J						.144
	05017254AA	1	J						.145
	05017255AA	1	J						.146
	05017256AA	1	J						.147
	05017257AA	1	J						.148
17									CASE, Differential
	05012477AA	1	J						[DMD,DHF,DHP] Includes Items 15,22
	05012519AA	1	J						[DME,DHF,DSB] With Internal Parts,Without Item 15
	05252590	1	J						[DME,DHF,DHP] Includes Items 15,22
18	J8120831	2	J						WASHER, Flat, without [DSB]-Pinion Gear Thrust

GRAND CHEROKEE (WJ)

SERIES LINE
H = Laredo T = JEEP - 2WD
P = Limited J = JEEP - 4WD

BODY
74 = SPORT UTILITY 4-DR

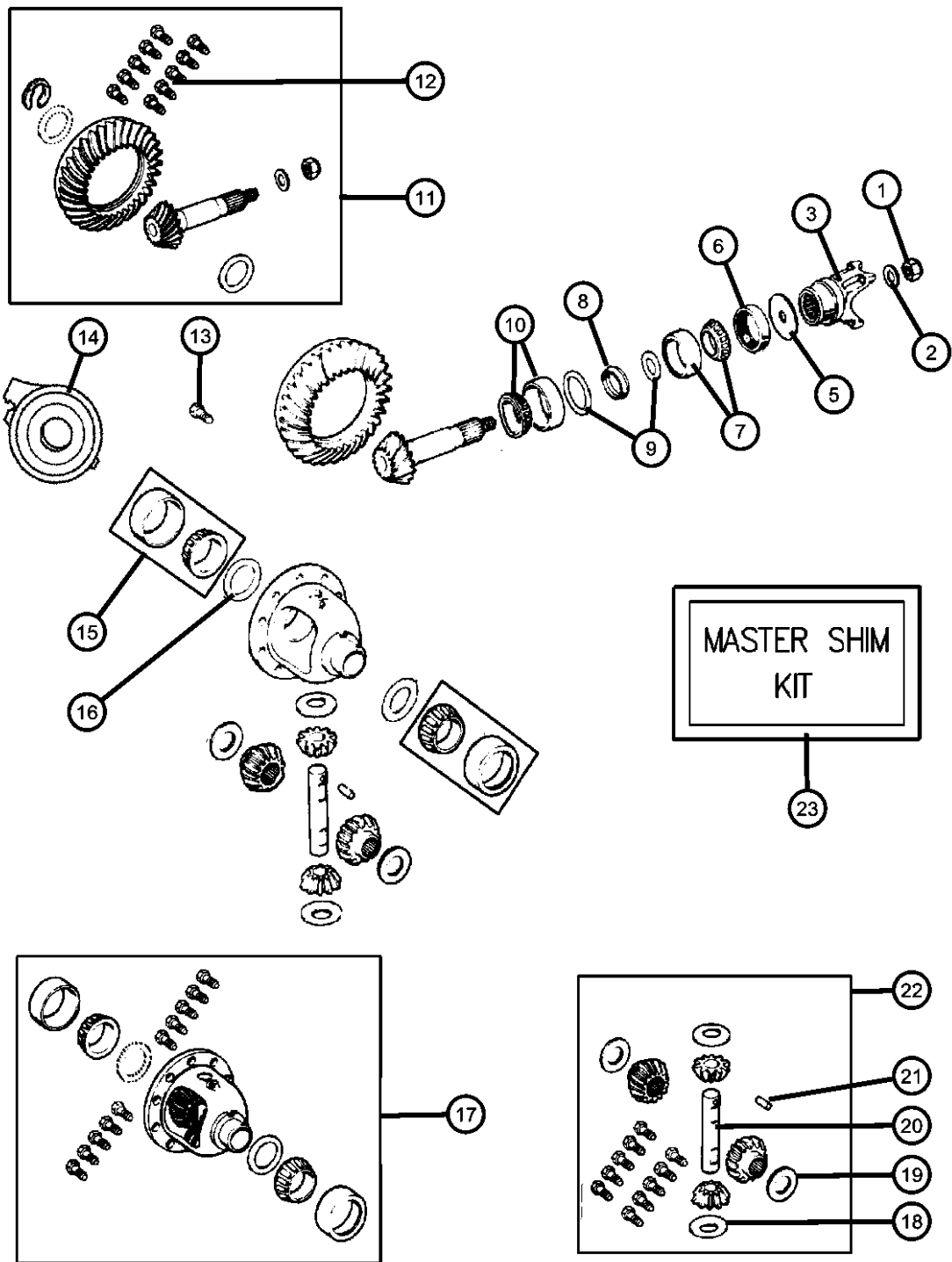
ENGINE
ERH = ENGINE - 4.0L POWER TECH I-6
EVA = ENGINE- 4.7L V8 MPI

TRANSMISSION
DGK = TRANSMISSION - 4-SPD. AUTOMATIC,42RE
DGQ = TRANSMISSION-5SPD AUTOMATIC 5-45RFE
DGO = ALL AUTOMATIC TRANSMISSIONS

AR = use ase required - = Non illustrated part

2001 WJ

Differential, Front Axle
Figure 2-610



ITEM	PART NUMBER	QTY	LINE	SERIES	BODY	ENGINE	TRANS	TRIM	DESCRIPTION
19	J8133724	2	J						WASHER, Flat, without [DSB]-Side Gear Thrust
20	05003840AA	1	J						SHAFT, Differential, without [DSB]
21	01791563	1	J						PIN, Differential Shaft, without [DSB]
22	05252591	1	J						GEAR KIT, Center Differential, without [DSB]
23	05017134AA	1	J						SHIM KIT, Differential, Master Shim Kit for the Complete Differential including All PINION Shims and all DIFFERENTIAL Shims.

GRAND CHEROKEE (WJ)

SERIES LINE
H = Laredo T = JEEP - 2WD
P = Limited J = JEEP - 4WD

BODY
74 = SPORT UTILITY 4-DR

ENGINE
ERH = ENGINE - 4.0L
POWER TECH I-6
EVA = ENGINE- 4.7L V8 MPI

TRANSMISSION
DGK = TRANSMISSION - 4-SPD.
AUTOMATIC, 42RE
DGQ = TRANSMISSION-5SPD
AUTOMATIC 5-45RFE
DGO = ALL AUTOMATIC
TRANSMISSIONS

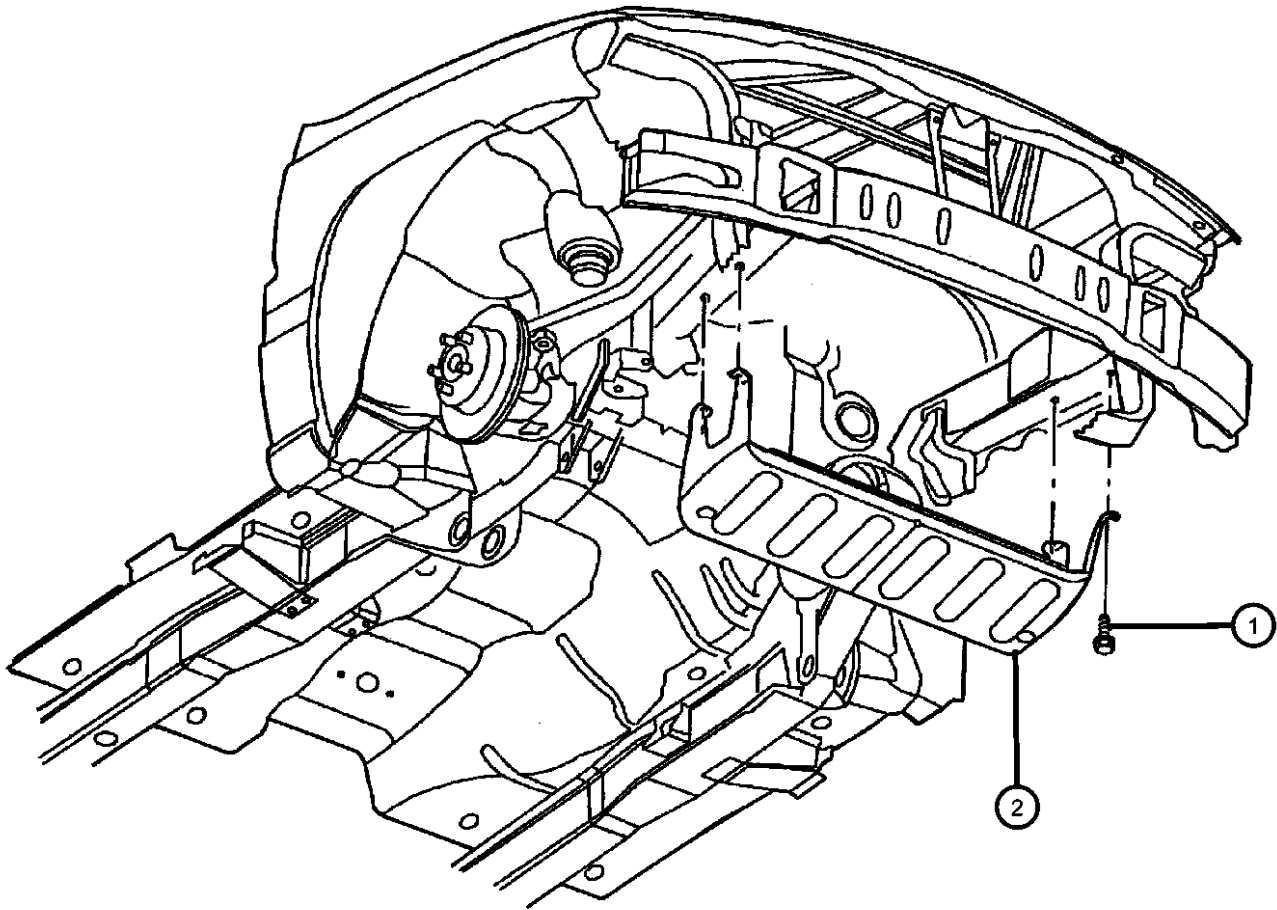
AR = use ase required - = Non illustrated part

2001 WJ

**Skid Plate, Front Axle
Figure 2-810**

ITEM	PART NUMBER	QTY	LINE	SERIES	BODY	ENGINE	TRANS	TRIM	DESCRIPTION
1	06505961AA	4	J						SCREW AND WASHER, Hex Head, M10x1.5x40, Skid Plate to Sill
2	52058923	1	J			ERO, EVO			SKID PLATE, Front

NOTES:
 ERO = All 4.0L 6Cyl Gas Engines
 EVO = All 4.7L Engine Gas Engines
 J = 4 WD-Left Hand Drive



GRAND CHEROKEE (WJ)

SERIES	LINE	BODY	ENGINE	TRANSMISSION
H = Laredo	T = JEEP - 2WD	74 = SPORT UTILITY 4-DR	ERH = ENGINE - 4.0L POWER TECH I-6	DGK = TRANSMISSION - 4-SPD. AUTOMATIC, 42RE
P = Limited	J = JEEP - 4WD		EVA = ENGINE- 4.7L V8 MPI	DGQ = TRANSMISSION-5SPD AUTOMATIC 5-45RFE
				DGO = ALL AUTOMATIC TRANSMISSIONS

AR = use ase required - = Non illustrated part

Group - 3

Rear Axle

Group - 3 Rear Axle

Group-Fig. No.

Illustration Title

Rear Axle

Axle Assembly,Rear Fig. 3 - 110

Differential and Housing

Housing,Rear Axle,Dana Model 35 Fig. 3 - 210

Housing,Rear Axle,Dana Model 44 Fig. 3 - 220

Differential,Without Trac-Lok [DSA],Dana Model 35C/194MM [DRM] Fig. 3 - 230

Differential,With Trac-Lok [DSA],Dana Model 35C/194MM [DRM] Fig. 3 - 240

Differential,Without Trac-Lok,Dana Model 44/226 MM Fig. 3 - 250

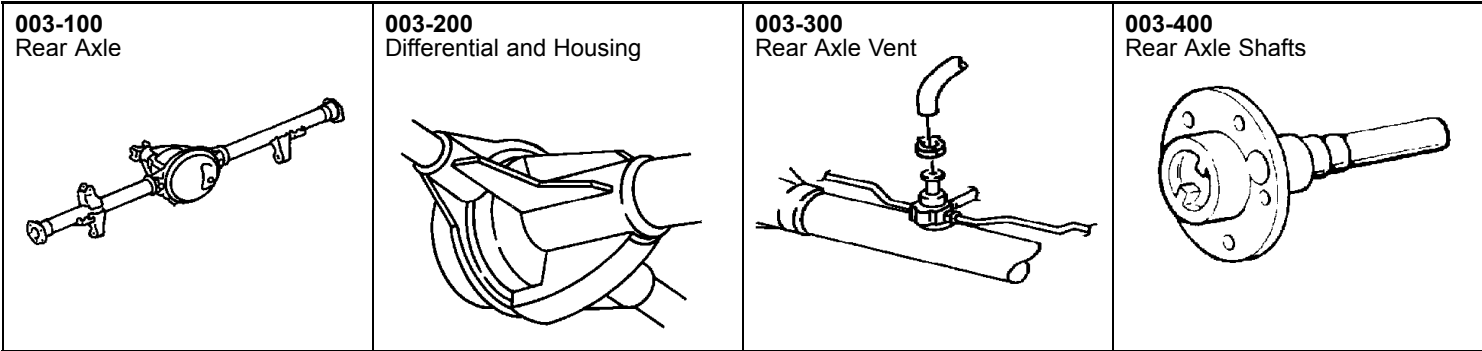
Differential,With Trac-Lok or Vari-Lok Progressive,Dana Model 44/226MM Fig. 3 - 260

Rear Axle Vent

Rear Axle Vent Fig. 3 - 310

Rear Axle Shafts

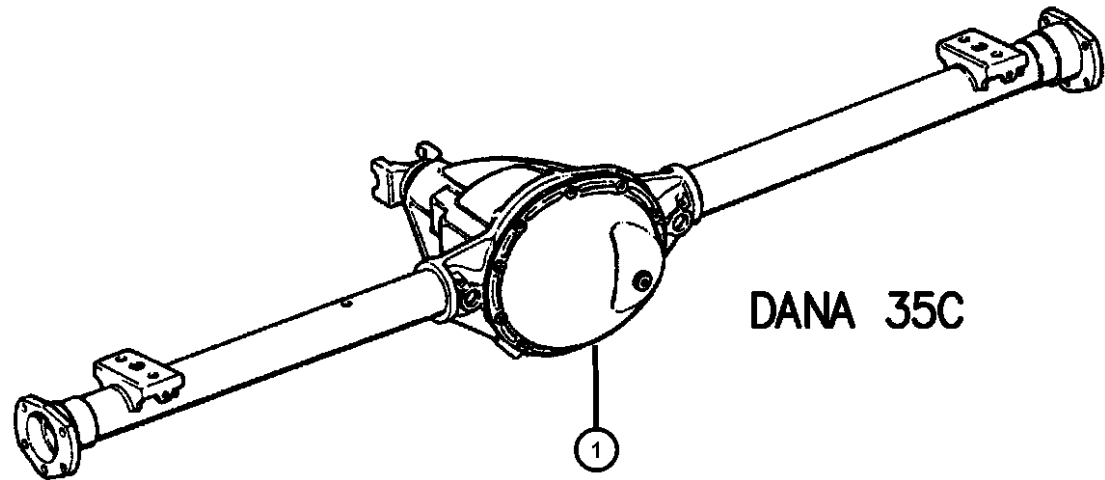
Shaft , Rear Axle Fig. 3 - 410



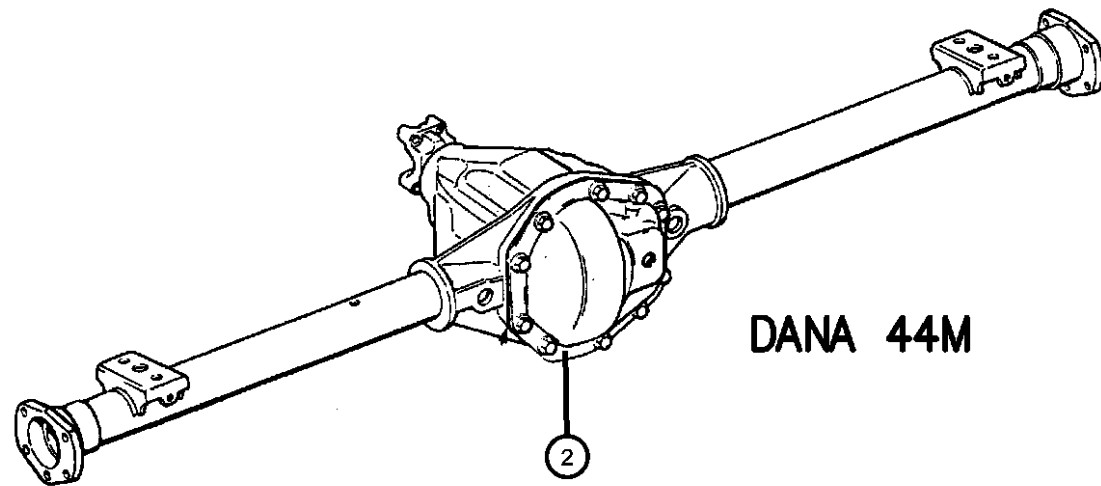
**Axle Assembly,Rear
Figure 3-110**

ITEM	PART NUMBER	QTY	LINE	SERIES	BODY	ENGINE	TRANS	TRIM	DESCRIPTION
------	-------------	-----	------	--------	------	--------	-------	------	-------------

Note:Sales Codes;
 [DMD]=Axle Ratio - 3.55
 [DME]=Axle Ratio - 3.73
 [DRK]=Axle - Rear,Dana 44/226MM
 [DRM]=Axle - Rear,Dana 35C/194MM
 [DSA]=Axle - Trac-Lok Differential
 [DSC]=Axles - Vari-Lok Progressive



DANA 35C



DANA 44M

1									AXLE, Service Rear
	05012812AA	1							[DRM,DME] Tag 52099430AC -Upto and Including 07-17-00
	05012829AA	1							[DRM,DMD] Tag 52099433AC -Upto and Including 07-17-00
	05012832AA	1							[DRM,DME,DSA] Tag 52111996AC -Upto and Including 07-17-00
	05072213AA	1							[DRM,DMD] Tag 52099433AE -07-18-00 and After
	04874468								Mopar SAE 80W-90 Gear Lube Quart Bottle
	68003054AA								Mopar SAE 80W-90 Gear Lube 16 Gallon Keg
	04874469								Mopar SAE 75W-140 Synthetic Gear and Axle Lube Quart
	68003055AA								Mopar SAE 75W-140 Synthetic Gear and Axle Lube 16 Gallon Keg
	05072222AA	1							[DRM,DME] Tag 52099430AE -07-18-00 and After
	04874468								Mopar SAE 80W-90 Gear Lube Quart Bottle
	68003054AA								Mopar SAE 80W-90 Gear Lube 16 Gallon Keg
	04874469								Mopar SAE 75W-140 Synthetic Gear and Axle Lube Quart
	68003055AA								Mopar SAE 75W-140 Synthetic Gear and Axle Lube 16 Gallon Keg
	05072258AA	1							[DRM,DME,DSA] Tag 52111996AE -07-18-00 and After
	04874469								Mopar SAE 75W-140 Synthetic Gear and Axle Lube Quart
	68003055AA								Mopar SAE 75W-140 Synthetic Gear and Axle Lube 16 Gallon Keg
2									AXLE, Service Rear

GRAND CHEROKEE (WJ)

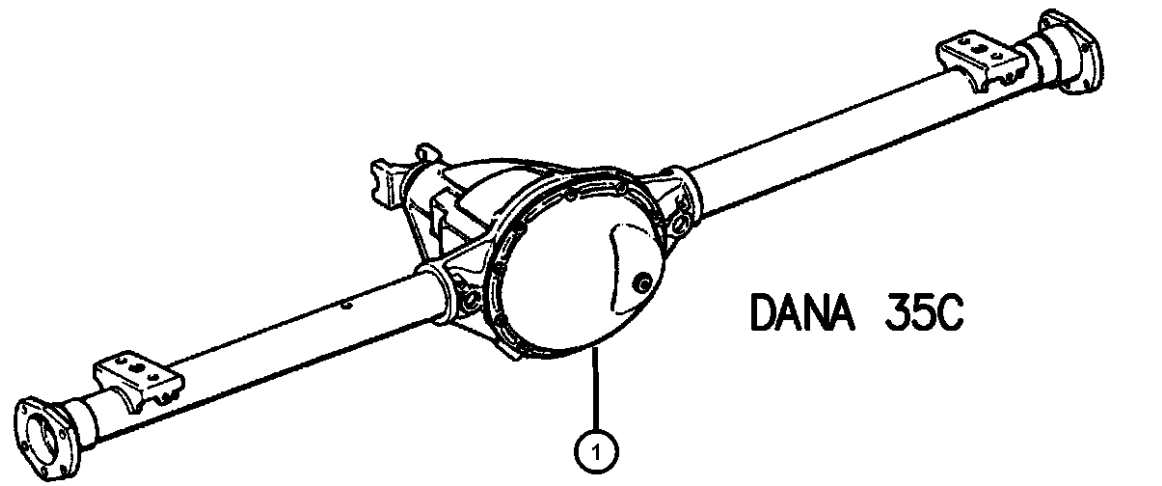
SERIES	LINE	BODY	ENGINE	TRANSMISSION
H = Laredo	T = JEEP - 2WD	74 = SPORT UTILITY 4-DR	ERH = ENGINE - 4.0L POWER TECH I-6	DGK = TRANSMISSION - 4-SPD. AUTOMATIC,42RE
P = Limited	J = JEEP - 4WD		EVA = ENGINE- 4.7L V8 MPI	DGQ = TRANSMISSION-5SPD AUTOMATIC 5-45RFE DGO = ALL AUTOMATIC TRANSMISSIONS

AR = use ase required - = Non illustrated part

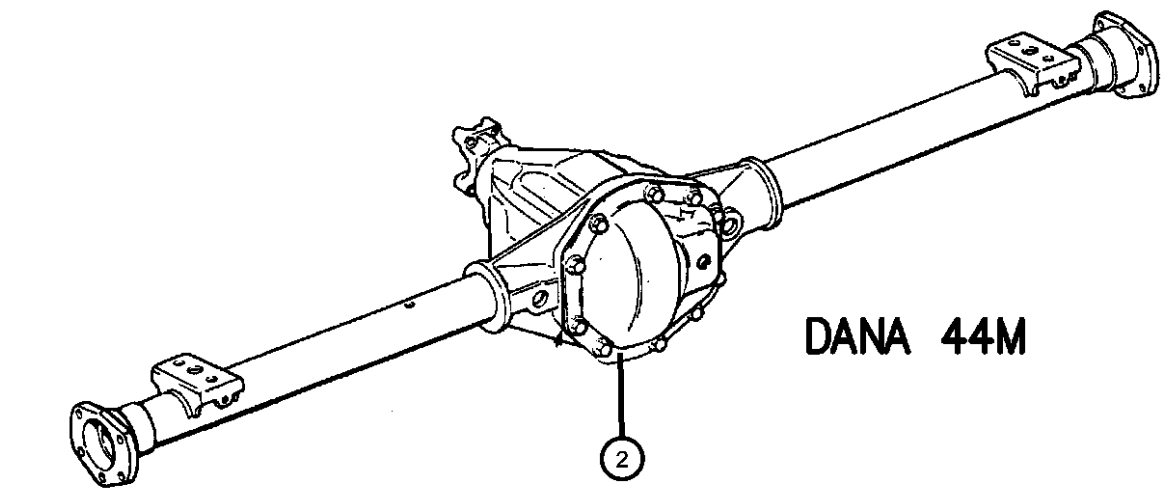
2001 WJ

**Axle Assembly,Rear
Figure 3-110**

ITEM	PART NUMBER	QTY	LINE	SERIES	BODY	ENGINE	TRANS	TRIM	DESCRIPTION
------	-------------	-----	------	--------	------	--------	-------	------	-------------



DANA 35C



DANA 44M

	05012843AA	1							[DRK,DME] Tag 52099429AC -Upto and Including 07-17-00
	05012843AC	1							[DRK,DME] Tag 52099429AE -07-18-00 and After
	04874468								Mopar SAE 80W-90 Gear Lube Quart Bottle
	68003054AA								Mopar SAE 80W-90 Gear Lube 16 Gallon Keg
	04874469								Mopar SAE 75W-140 Synthetic Gear and Axle Lube Quart
	68003055AA								Mopar SAE 75W-140 Synthetic Gear and Axle Lube 16 Gallon Keg
	05012853AA	1							[DRK,DME,DSA] Tag 52111995AC -Upto and Including 07-17-00
	05012853AC	1							[DRK,DME,DSA] Tag 52111995AE -07-18-00 and After
	04874468								Mopar SAE 80W-90 Gear Lube Quart Bottle
	68003054AA								Mopar SAE 80W-90 Gear Lube 16 Gallon Keg
	04874469								Mopar SAE 75W-140 Synthetic Gear and Axle Lube Quart
	68003055AA								Mopar SAE 75W-140 Synthetic Gear and Axle Lube 16 Gallon Keg
	05012868AA	1							[DRK,DME,DSC] Tag 52099426AC -Upto and Including 07-17-00
	05012868AC	1							[DRK,DME,DSC] Tag 52099426AE -07-18-00 and After
	04874468								Mopar SAE 80W-90 Gear Lube Quart Bottle
	68003054AA								Mopar SAE 80W-90 Gear Lube 16 Gallon Keg
	04874469								Mopar SAE 75W-140 Synthetic Gear and Axle Lube Quart
	68003055AA								Mopar SAE 75W-140 Synthetic Gear and Axle Lube 16 Gallon Keg

GRAND CHEROKEE (WJ)

SERIES	LINE
H = Laredo	T = JEEP - 2WD
P = Limited	J = JEEP - 4WD

BODY
74 = SPORT UTILITY 4-DR

ENGINE
ERH = ENGINE - 4.0L
POWER TECH I-6
EVA = ENGINE- 4.7L V8 MPI

TRANSMISSION
DGK = TRANSMISSION - 4-SPD.
AUTOMATIC,42RE
DGQ = TRANSMISSION-5SPD
AUTOMATIC 5-45RFE
DGO = ALL AUTOMATIC
TRANSMISSIONS

AR = use ase required - = Non illustrated part

2001 WJ

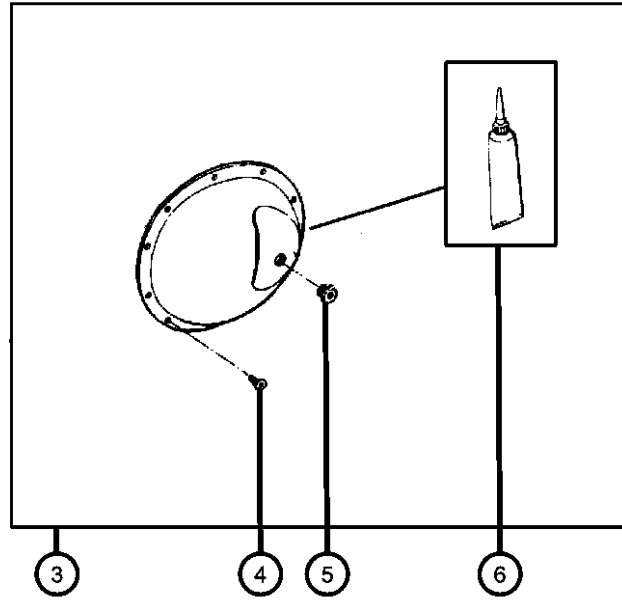
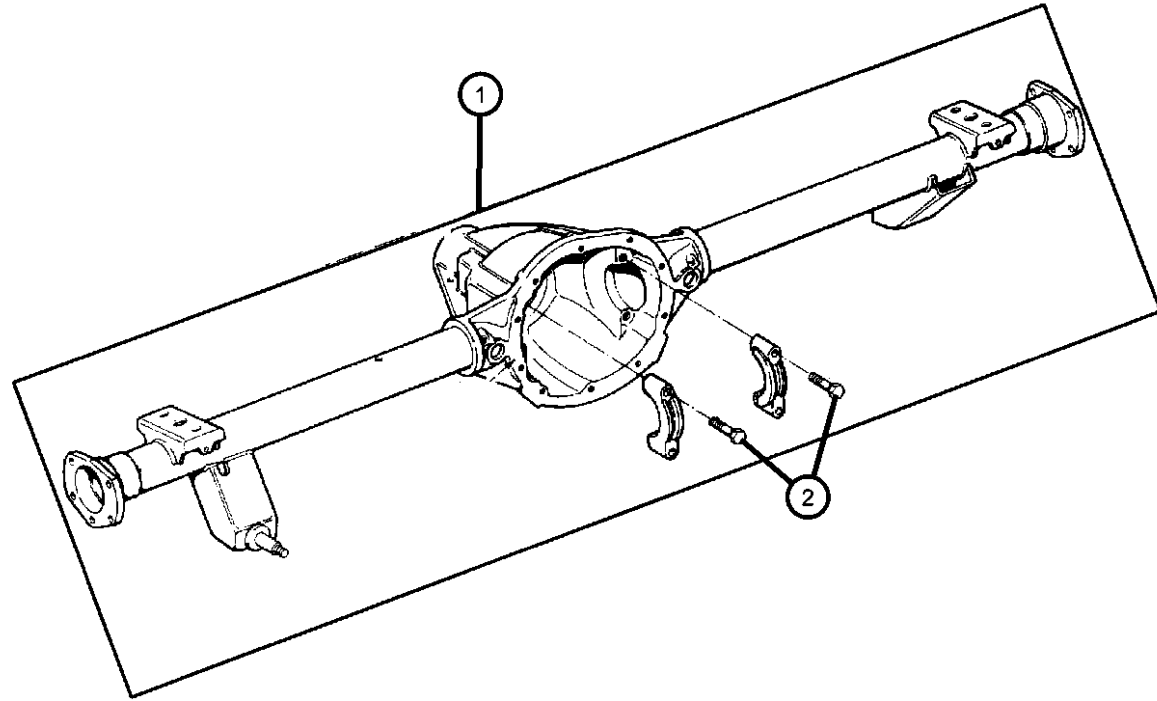
Housing,Rear Axle,Dana Model 35
Figure 3-210

ITEM	PART NUMBER	QTY	LINE	SERIES	BODY	ENGINE	TRANS	TRIM	DESCRIPTION
------	-------------	-----	------	--------	------	--------	-------	------	-------------

Note: DRM=Dana 35 Rear Axle

1	05012805AA	1							HOUSING, Axle
2	04897482AB	4							BOLT, Differential
3	05012811AA	1							COVER, Differential
4	J4006708	10							SCREW, Pan Head, .312-18x.56
5	05252504	1							PLUG, Differential Cover
6	05010884AA	1							SEALANT, RTV

HOUSING, Axle
BOLT, Differential
COVER, Differential
SCREW, Pan Head, .312-18x.56
PLUG, Differential Cover
SEALANT, RTV



GRAND CHEROKEE (WJ)

SERIES LINE
H = Laredo T = JEEP - 2WD
P = Limited J = JEEP - 4WD

BODY
74 = SPORT UTILITY 4-DR

ENGINE
ERH = ENGINE - 4.0L
POWER TECH I-6
EVA = ENGINE- 4.7L V8 MPI

TRANSMISSION
DGK = TRANSMISSION - 4-SPD.
AUTOMATIC,42RE
DGQ = TRANSMISSION-5SPD
AUTOMATIC 5-45RFE
DGO = ALL AUTOMATIC
TRANSMISSIONS

AR = use ase required - = Non illustrated part

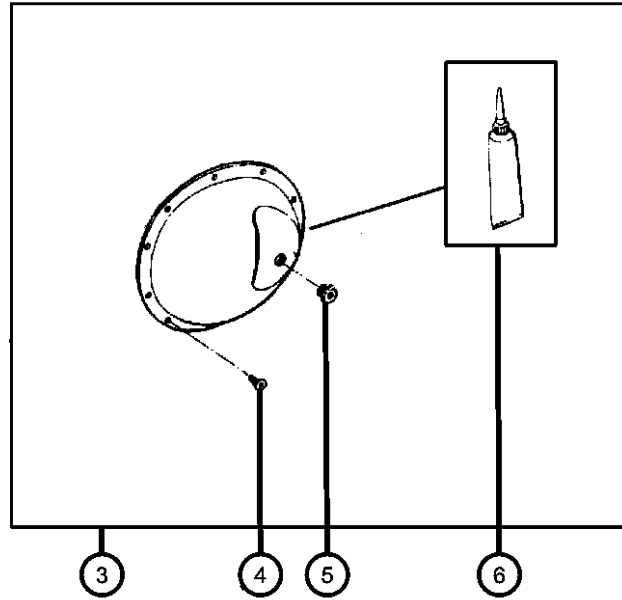
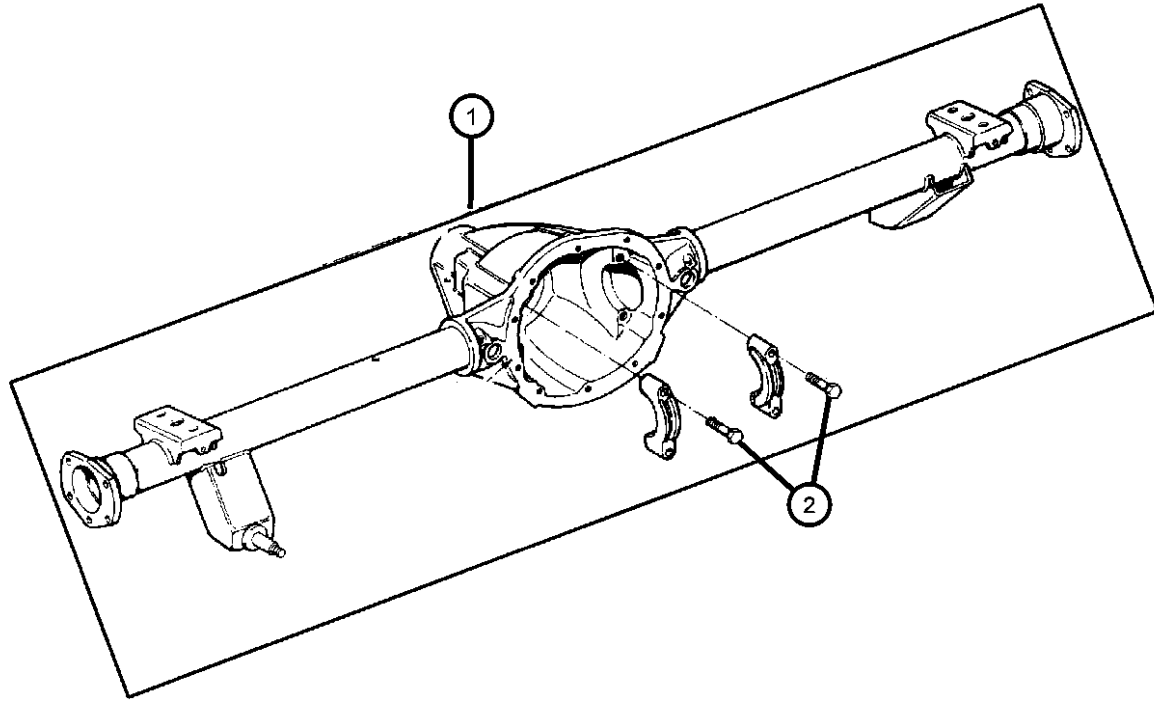
2001 WJ

Housing,Rear Axle,Dana Model 44
Figure 3-220

ITEM	PART NUMBER	QTY	LINE	SERIES	BODY	ENGINE	TRANS	TRIM	DESCRIPTION
------	-------------	-----	------	--------	------	--------	-------	------	-------------

Note:DRK=Dana 44 Rear Axle

1									HOUSING, Axle
	05012837AA	1							Upto and Including 07-17-00
	05012837AB	1							07-18-00 and After
2	J4006553	4							BOLT, Differential
3	05012842AA	1							COVER, Differential
4	J4006708	10							SCREW, Pan Head, .312-18x.56
5	05252504	1							PLUG, Differential Cover
6	05010884AA	1							SEALANT, RTV



GRAND CHEROKEE (WJ)

SERIES LINE
H = Laredo T = JEEP - 2WD
P = Limited J = JEEP - 4WD

BODY
74 = SPORT UTILITY 4-DR

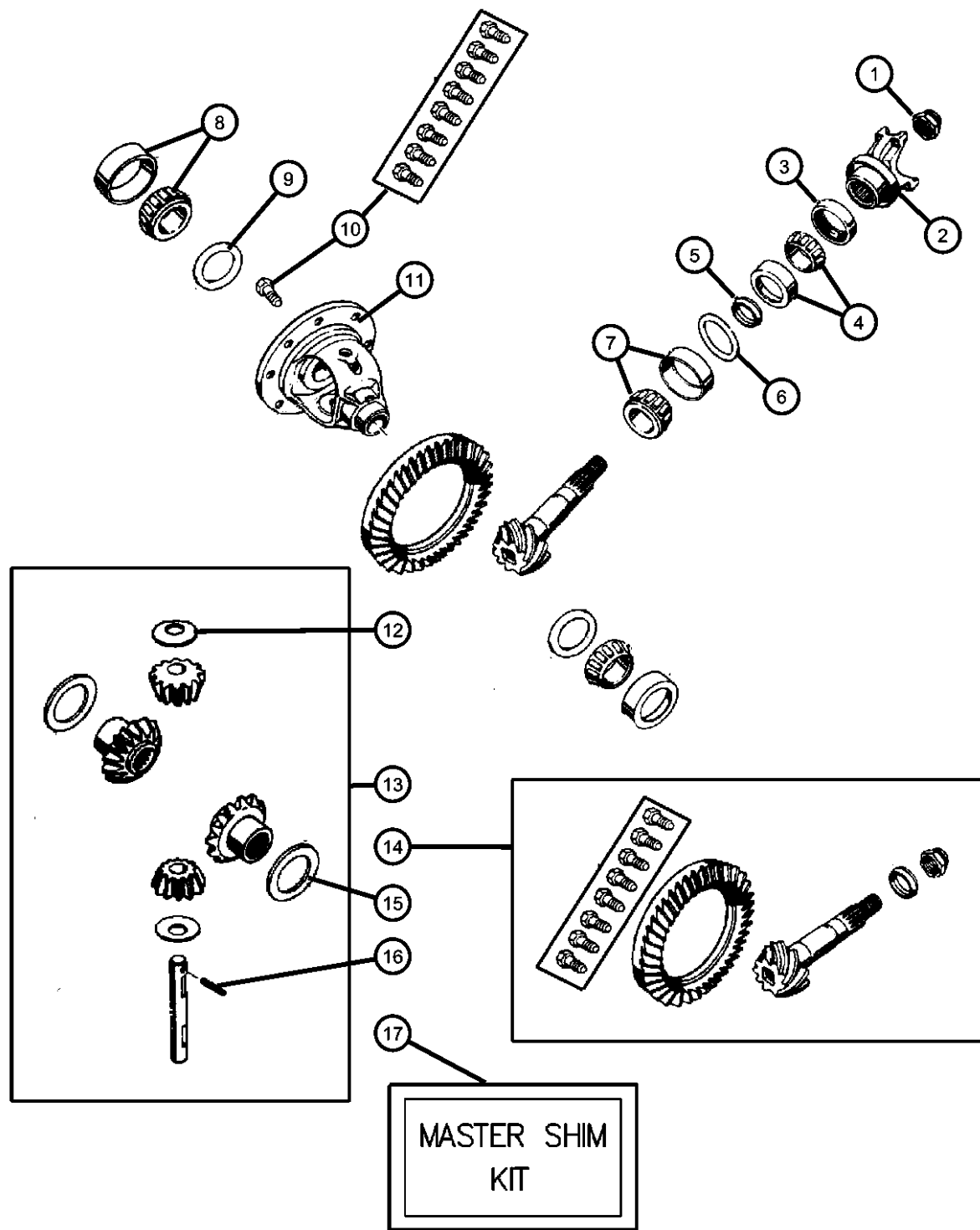
ENGINE
ERH = ENGINE - 4.0L
POWER TECH I-6
EVA = ENGINE- 4.7L V8 MPI

TRANSMISSION
DGK = TRANSMISSION - 4-SPD.
AUTOMATIC,42RE
DGQ = TRANSMISSION-5SPD
AUTOMATIC 5-45RFE
DGO = ALL AUTOMATIC
TRANSMISSIONS

AR = use ase required - = Non illustrated part

2001 WJ

Differential, Without Trac-Lok [DSA], Dana Model 35C/194MM [DRM]
Figure 3-230



ITEM	PART NUMBER	QTY	LINE	SERIES	BODY	ENGINE	TRANS	TRIM	DESCRIPTION
Note: Sales Codes; [DMD]=Axle Ratio - 3.55 [DME]=Axle Ratio - 3.73 [DRM]=Axle - Rear, Dana 35C/194MM [DSA]=Axle - Trac-Lok Differential									
1	04720895	1							NUT, Pinion Yoke
2									YOKE, Axle
	05012806AA	1							Upto and Including 07-17-00
	05072212AA	1							07-18-00 and After
3									SEAL, Drive Pinion
	04883964AA	1							Outer
	05012813AA	1							Inner
4	05252508	1							BEARING, Drive Pinion, Bearing and Cup, Front
5	05012809AA	1							SPACER, Drive Pinion Bearing, Crush
6									SHIM, Drive Pinion Bearing, Replacement Individual PINION Shims for Master Shim Kit
	05017269AA	1							5017214AA .036
	05017270AA	1							.037
	05017271AA	1							.038
	05017272AA	1							.039
	05017273AA	1							.040
	05017274AA	1							.041
	05017275AA	1							.042
	05017276AA	1							.043
	05017277AA	1							.044
	05017278AA	1							.045
	05017279AA	1							.046
	05017280AA	1							.047
	05017281AA	1							.048
	05017282AA	1							.049
	05017283AA	1							.050
	05017288AA	1							.021
7	05252507	1							BEARING, Drive Pinion, Bearing and Cup, Rear

GRAND CHEROKEE (WJ)

SERIES LINE
H = Laredo T = JEEP - 2WD
P = Limited J = JEEP - 4WD

BODY
74 = SPORT UTILITY 4-DR

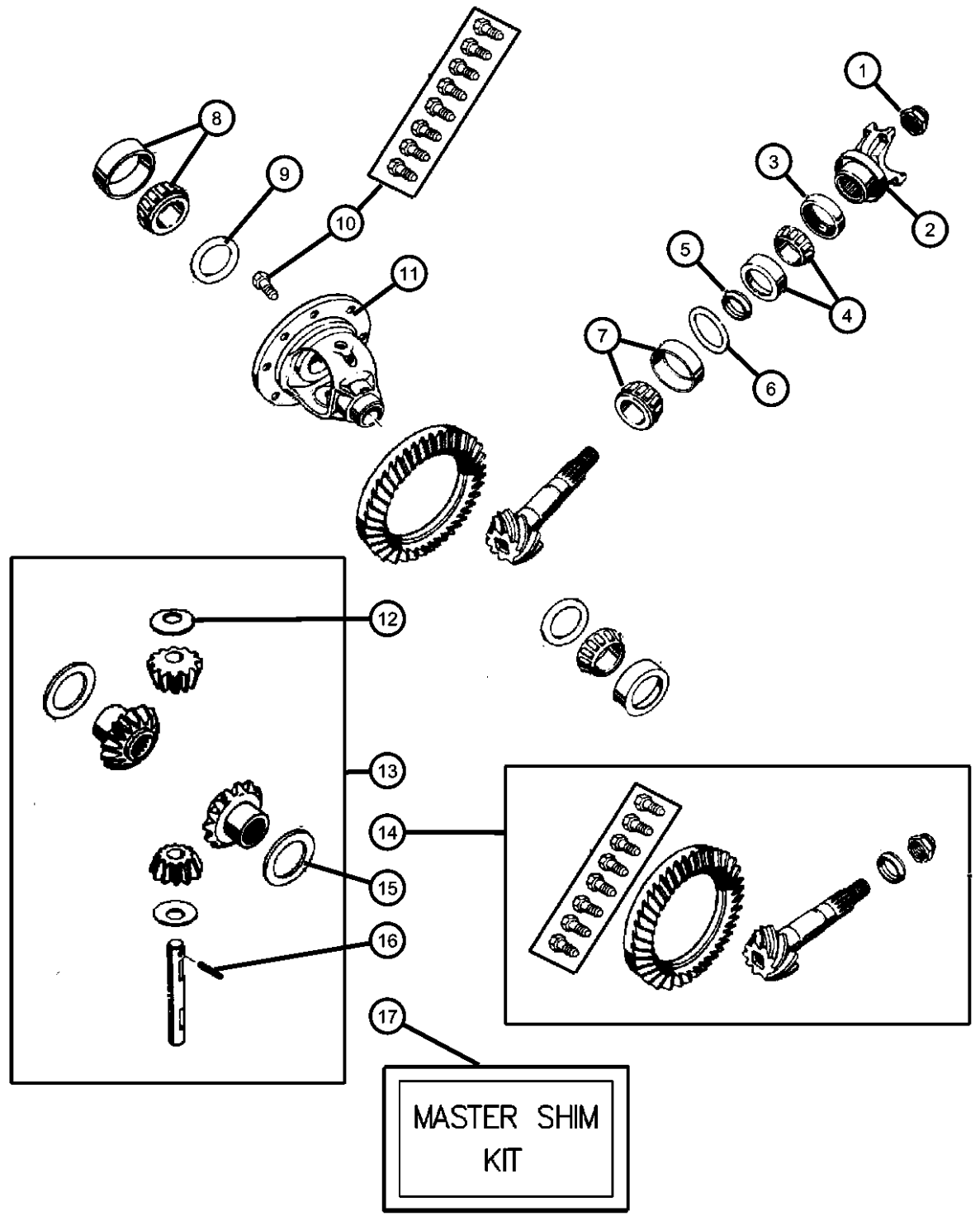
ENGINE
ERH = ENGINE - 4.0L
POWER TECH I-6
EVA = ENGINE- 4.7L V8 MPI

TRANSMISSION
DGK = TRANSMISSION - 4-SPD.
AUTOMATIC, 42RE
DGG = TRANSMISSION-5SPD
AUTOMATIC 5-45RFE
DGO = ALL AUTOMATIC
TRANSMISSIONS

AR = use ase required - = Non illustrated part

2001 WJ

Differential, Without Trac-Lok [DSA], Dana Model 35C/194MM [DRM]
 Figure 3-230



ITEM	PART NUMBER	QTY	LINE	SERIES	BODY	ENGINE	TRANS	TRIM	DESCRIPTION
8	J8126500	1							BEARING, Differential, Contains 2 Bearings and 2 cups
9									SHIM, Differential Bearing, Replacement Individual DIFFERENTIAL Shims for Master Shim Kit 5017214AA
	05017299AA	1							.151
	05017300AA	1							.152
	05017301AA	1							.153
	05017302AA	1							.154
	05017303AA	1							.155
	05017304AA	1							.156
	05017305AA	1							.157
	05017306AA	1							.158
	05017307AA	1							.159
	05017308AA	1							.160
	05017309AA	1							.161
	05017310AA	1							.162
	05017311AA	1							.163
	05017312AA	1							.164
	05017313AA	1							.165
	05017314AA	1							.166
	05017315AA	1							.167
	05017316AA	1							.168
	05017317AA	1							.169
	05017318AA	1							.170
	05017319AA	1							.171
	05017320AA	1							.172
	05017321AA	1							.173
	05017322AA	1							.174
	05017323AA	1							.175
	05017324AA	1							.176
	05017325AA	1							.177
	05017326AA	1							.178

GRAND CHEROKEE (WJ)

SERIES LINE
 H = Laredo T = JEEP - 2WD
 P = Limited J = JEEP - 4WD

BODY
 74 = SPORT UTILITY 4-DR

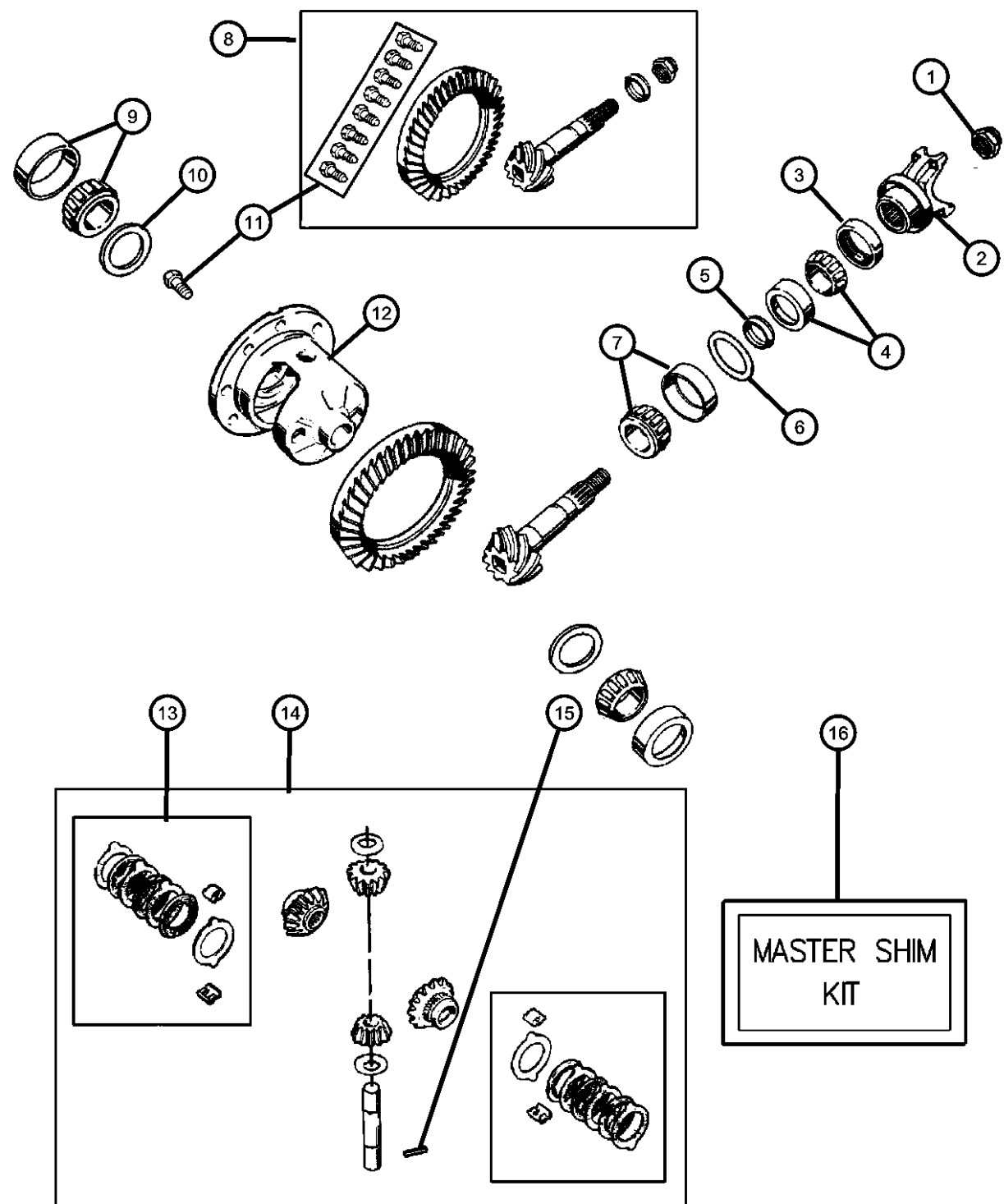
ENGINE
 ERH = ENGINE - 4.0L
 POWER TECH I-6
 EVA = ENGINE- 4.7L V8 MPI

TRANSMISSION
 DGK = TRANSMISSION - 4-SPD.
 AUTOMATIC, 42RE
 DGQ = TRANSMISSION-5SPD
 AUTOMATIC 5-45RFE
 DGO = ALL AUTOMATIC
 TRANSMISSIONS

AR = use ase required - = Non illustrated part

Differential,With Trac-Lok [DSA],Dana Model 35C/194MM [DRM]

Figure 3-240



Note:Sales Codes;
 [DME]=Axle Ratio - 3.73
 [DRM]=Axle - Rear,Dana 35C/194MM
 [DSA]=Axle - Trac-Lok Differential

ITEM	PART NUMBER	QTY	LINE	SERIES	BODY	ENGINE	TRANS	TRIM	DESCRIPTION
1	04720895	1							NUT, Pinion Yoke
2									YOKE, Axle
	05012806AA	1							Up To and Including 07-17-00
	05072212AA	1							07-18-00 and After
3									SEAL, Drive Pinion
	04883964AA	1							Outer
	05012813AA	1							Inner
4	05252508	1							BEARING, Drive Pinion, Bearing and Cup, Front
5	05012809AA	1							SPACER, Drive Pinion Bearing, Crush
6									SHIM, Drive Pinion Bearing, Replacement Individual PINION Shims for Master Shim Kit 5014214AA.
	05017269AA	1							.036
	05017270AA	1							.037
	05017271AA	1							.038
	05017272AA	1							.039
	05017273AA	1							.040
	05017274AA	1							.041
	05017275AA	1							.042
	05017276AA	1							.043
	05017277AA	1							.044
	05017278AA	1							.045
	05017279AA	1							.046
	05017280AA	1							.047
	05017281AA	1							.048
	05017282AA	1							.049
	05017283AA	1							.050
	05017288AA	1							.021
7	05252507	1							BEARING, Drive Pinion, Bearing and Cup, Rear
8	05012807AA	1							GEAR KIT, Ring And Pinion, [DME]

GRAND CHEROKEE (WJ)

SERIES LINE
 H = Laredo T = JEEP - 2WD
 P = Limited J = JEEP - 4WD

BODY
 74 = SPORT UTILITY 4-DR

ENGINE
 ERH = ENGINE - 4.0L
 POWER TECH I-6
 EVA = ENGINE- 4.7L V8 MPI

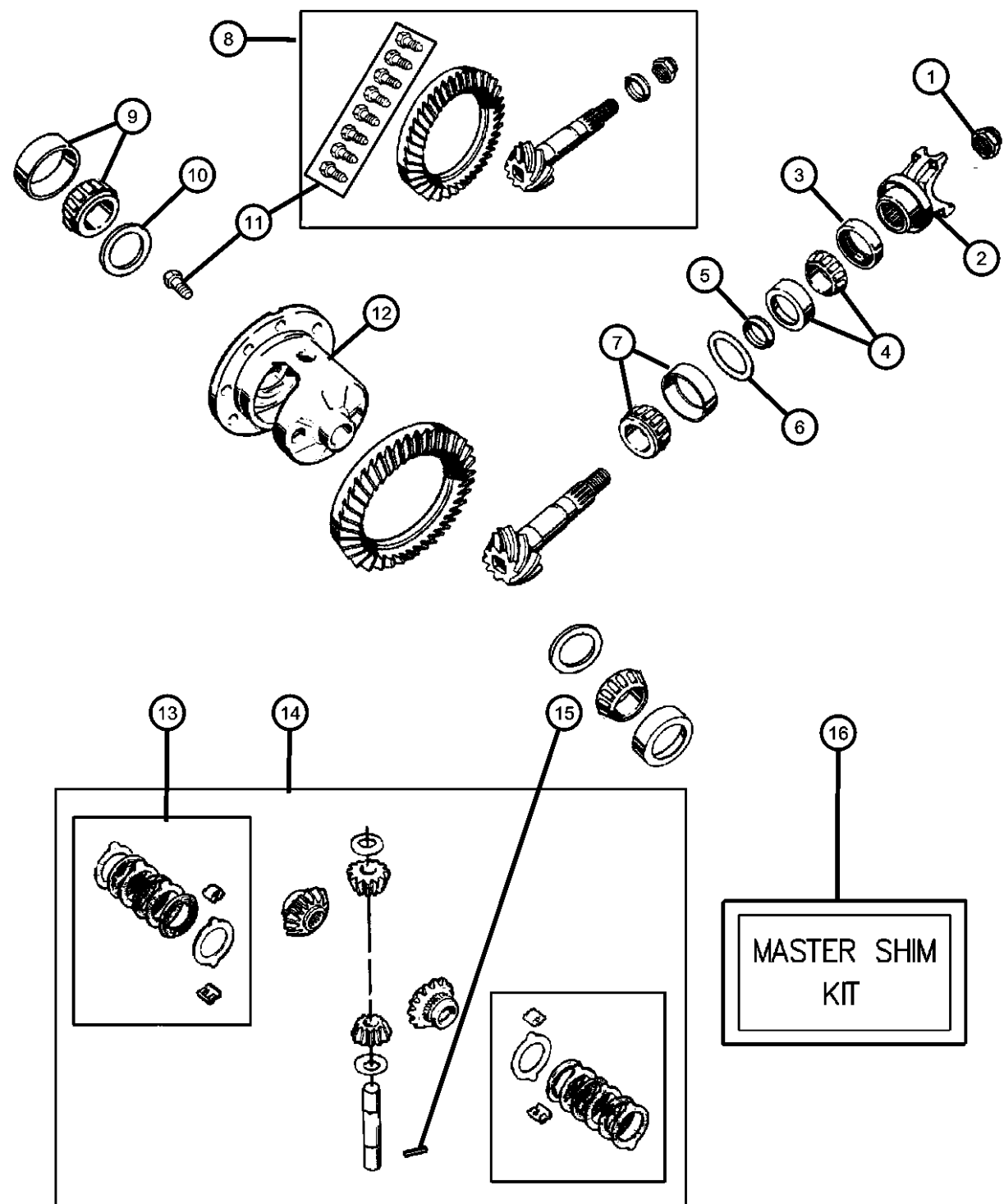
TRANSMISSION
 DGK = TRANSMISSION - 4-SPD.
 AUTOMATIC,42RE
 DGQ = TRANSMISSION-5SPD
 AUTOMATIC 5-45RFE
 DGO = ALL AUTOMATIC
 TRANSMISSIONS

AR = use ase required - = Non illustrated part

2001 WJ

Differential, With Trac-Lok [DSA], Dana Model 35C/194MM [DRM]

Figure 3-240



ITEM	PART NUMBER	QTY	LINE	SERIES	BODY	ENGINE	TRANS	TRIM	DESCRIPTION
9	J8126500	1							BEARING, Differential, Consists of 2 Bearing and 2 Cups
10									SHIM, Differential Bearing, Replacement Individual Differential Shims for Master Shim Kit 5014214AA
	05017299AA	1							.151
	05017300AA	1							.152
	05017301AA	1							.153
	05017302AA	1							.154
	05017303AA	1							.155
	05017304AA	1							.156
	05017305AA	1							.157
	05017306AA	1							.158
	05017307AA	1							.159
	05017308AA	1							.160
	05017309AA	1							.161
	05017310AA	1							.162
	05017311AA	1							.163
	05017312AA	1							.164
	05017313AA	1							.165
	05017314AA	1							.166
	05017315AA	1							.167
	05017316AA	1							.168
	05017317AA	1							.169
	05017318AA	1							.170
	05017319AA	1							.171
	05017320AA	1							.172
	05017321AA	1							.173
	05017322AA	1							.174
	05017323AA	1							.175
	05017324AA	1							.176
	05017325AA	1							.177
	05017326AA	1							.178
	05017327AA	1							.179

GRAND CHEROKEE (WJ)

SERIES LINE
 H = Laredo T = JEEP - 2WD
 P = Limited J = JEEP - 4WD

BODY
 74 = SPORT UTILITY 4-DR

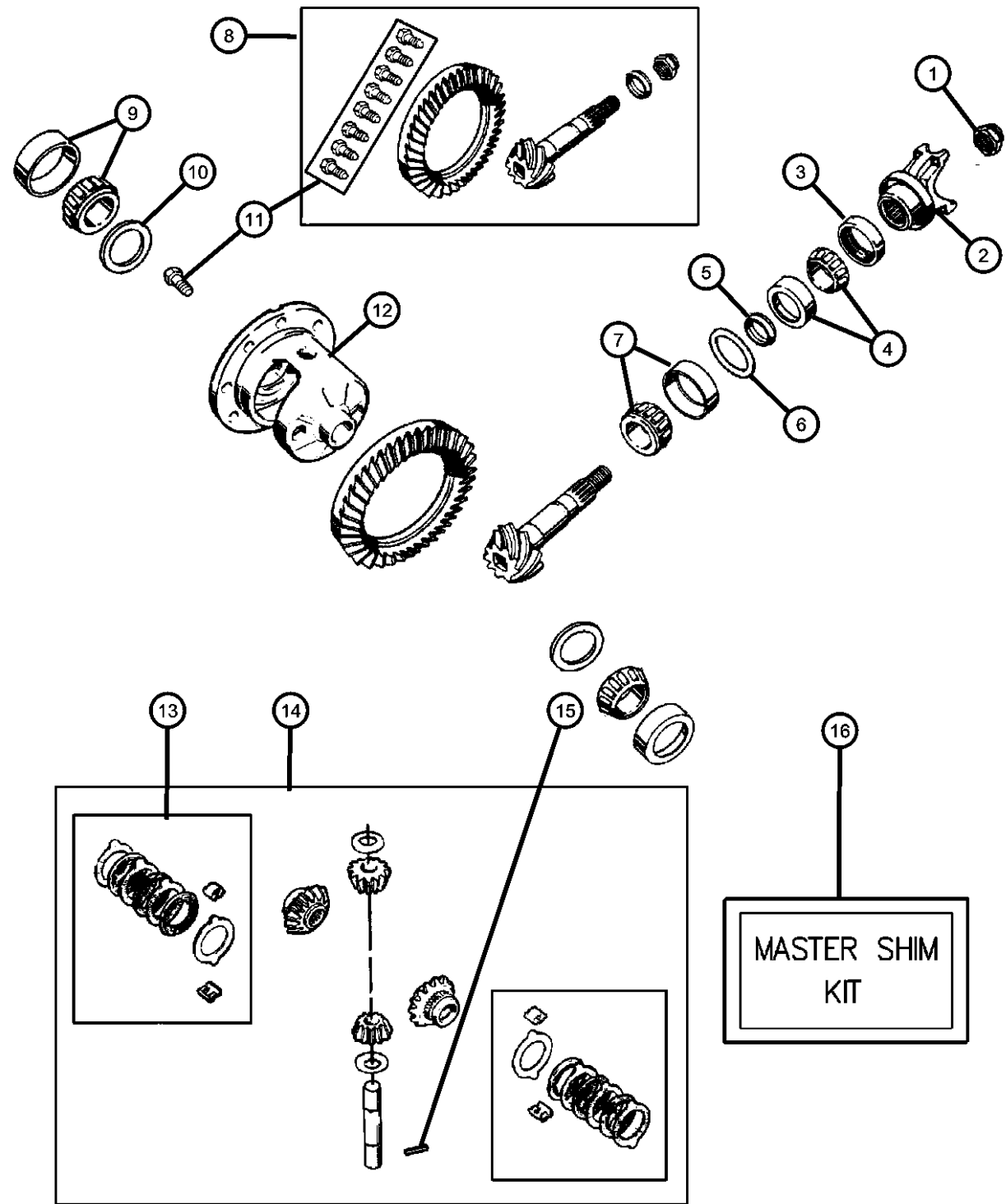
ENGINE
 ERH = ENGINE - 4.0L
 POWER TECH I-6
 EVA = ENGINE- 4.7L V8 MPI

TRANSMISSION
 DGK = TRANSMISSION - 4-SPD.
 AUTOMATIC, 42RE
 DGQ = TRANSMISSION-5SPD
 AUTOMATIC 5-45RFE
 DGO = ALL AUTOMATIC
 TRANSMISSIONS

AR = use ase required - = Non illustrated part

2001 WJ

Differential, With Trac-Lok [DSA], Dana Model 35C/194MM [DRM]
Figure 3-240



ITEM	PART NUMBER	QTY	LINE	SERIES	BODY	ENGINE	TRANS	TRIM	DESCRIPTION
	05017328AA	1							.180
	05017329AA	1							.181
	05017330AA	1							.182
	05017331AA	1							.183
11	05012810AA	1							BOLT KIT
12	05012831AA	1							CASE, Differential, with Internal Parts
13	05252506	1							DISC AND PLATE KIT, Differential
14	04773010	1							GEAR KIT, Center Differential
15	05252502	1							PIN, Differential Shaft
16	05017214AA	1							SHIM KIT, Differential, Master Shim Kit for the Complete Differential containing 16 PINION Shims and 33 DIFFERENTIAL Shims., Contains All Shims for Differential

GRAND CHEROKEE (WJ)

SERIES LINE
H = Laredo T = JEEP - 2WD
P = Limited J = JEEP - 4WD

BODY
74 = SPORT UTILITY 4-DR

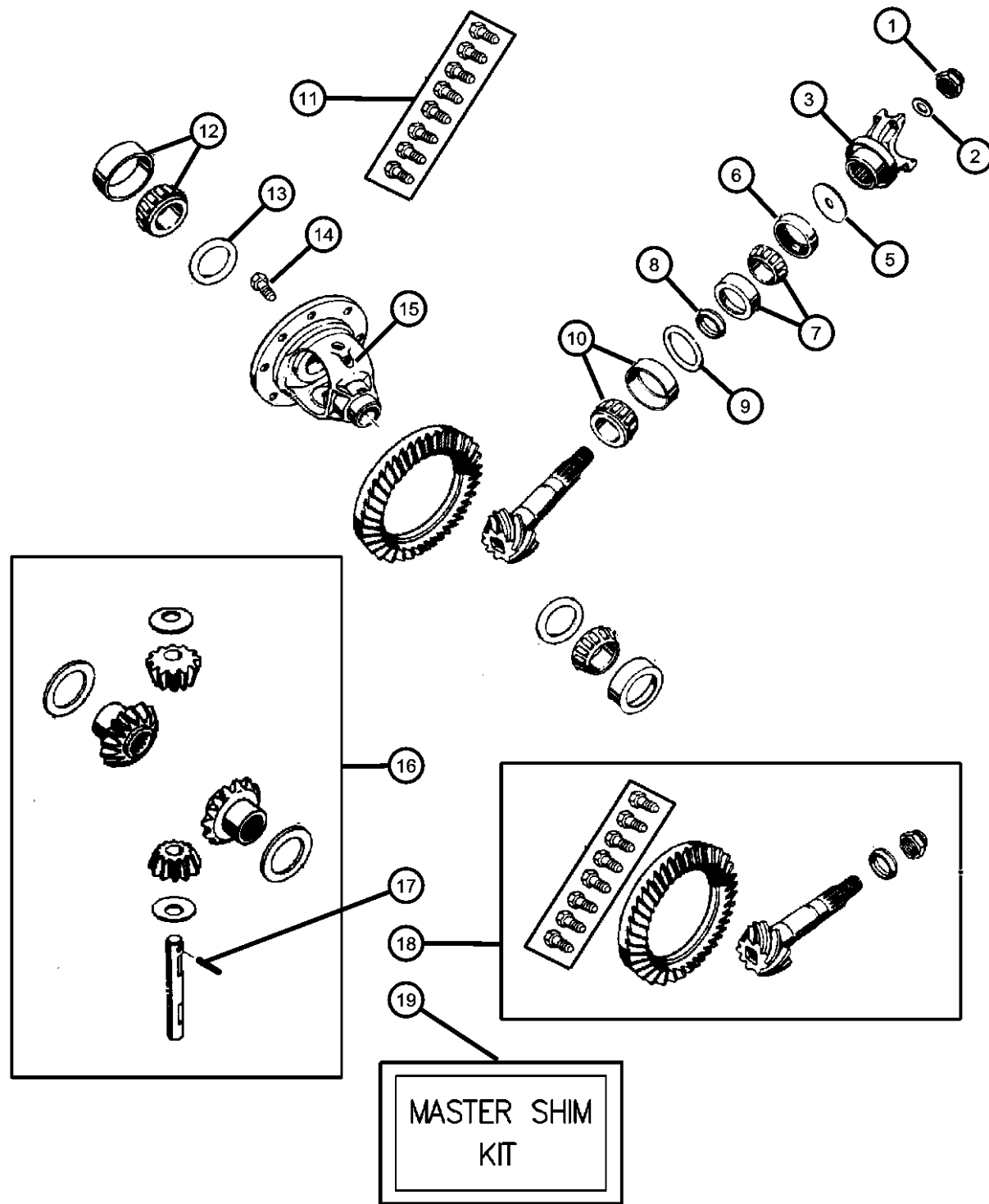
ENGINE
ERH = ENGINE - 4.0L
POWER TECH I-6
EVA = ENGINE- 4.7L V8 MPI

TRANSMISSION
DGK = TRANSMISSION - 4-SPD.
AUTOMATIC, 42RE
DGQ = TRANSMISSION-5SPD
AUTOMATIC 5-45RFE
DGO = ALL AUTOMATIC
TRANSMISSIONS

AR = use ase required - = Non illustrated part

2001 WJ

Differential, Without Trac-Lok, Dana Model 44/226 MM
Figure 3-250



ITEM	PART NUMBER	QTY	LINE	SERIES	BODY	ENGINE	TRANS	TRIM	DESCRIPTION
------	-------------	-----	------	--------	------	--------	-------	------	-------------

Note:
DME = 3.73 Ratio
DSA = Anti-Spin Differential

1	01795173	1							NUT, Pinion Yoke
2	01795175	1							WASHER, Pinion Yoke
3	05012840AA	1							YOKE, Axle
-4	05012847AA	1							O RING, Pinion Flange, Fits Over Hub of Axle Yoke
5	04746867	1							SLINGER, Drive Pinion
6	05072265AA	1							SEAL, Drive Pinion
7	04864210	1							BEARING, Drive Pinion, Bearing and Cup, Front
8	04864214	1							SPACER, Crush
9									SHIM, Drive Pinion Bearing
	05017332AA	1							.040
	05017333AA	1							.041
	05017334AA	1							.042
	05017335AA	1							.043
	05017336AA	1							.044
	05017337AA	1							.045
	05017338AA	1							.046
	05017339AA	1							.047
	05017340AA	1							.048
	05017341AA	1							.049
	05017342AA	1							.050
	05017343AA	1							.051
	05017344AA	1							.052
	05017345AA	1							.053
	05017346AA	1							.054
10	04746979	1							BEARING, Drive Pinion, Bearing and Cup, Rear
11									BOLT KIT
	04720891	2							Contains 10- 3/8-24 x .827' Ring Gear Bolts
	05012810AC	1							Contains 10- 7/16-20 x .750' Ring Gear Bolts
12	04864213	1							BEARING, Differential Case, Contains 2 Bearing and 2 Cups

GRAND CHEROKEE (WJ)

SERIES LINE
H = Laredo T = JEEP - 2WD
P = Limited J = JEEP - 4WD

BODY
74 = SPORT UTILITY 4-DR

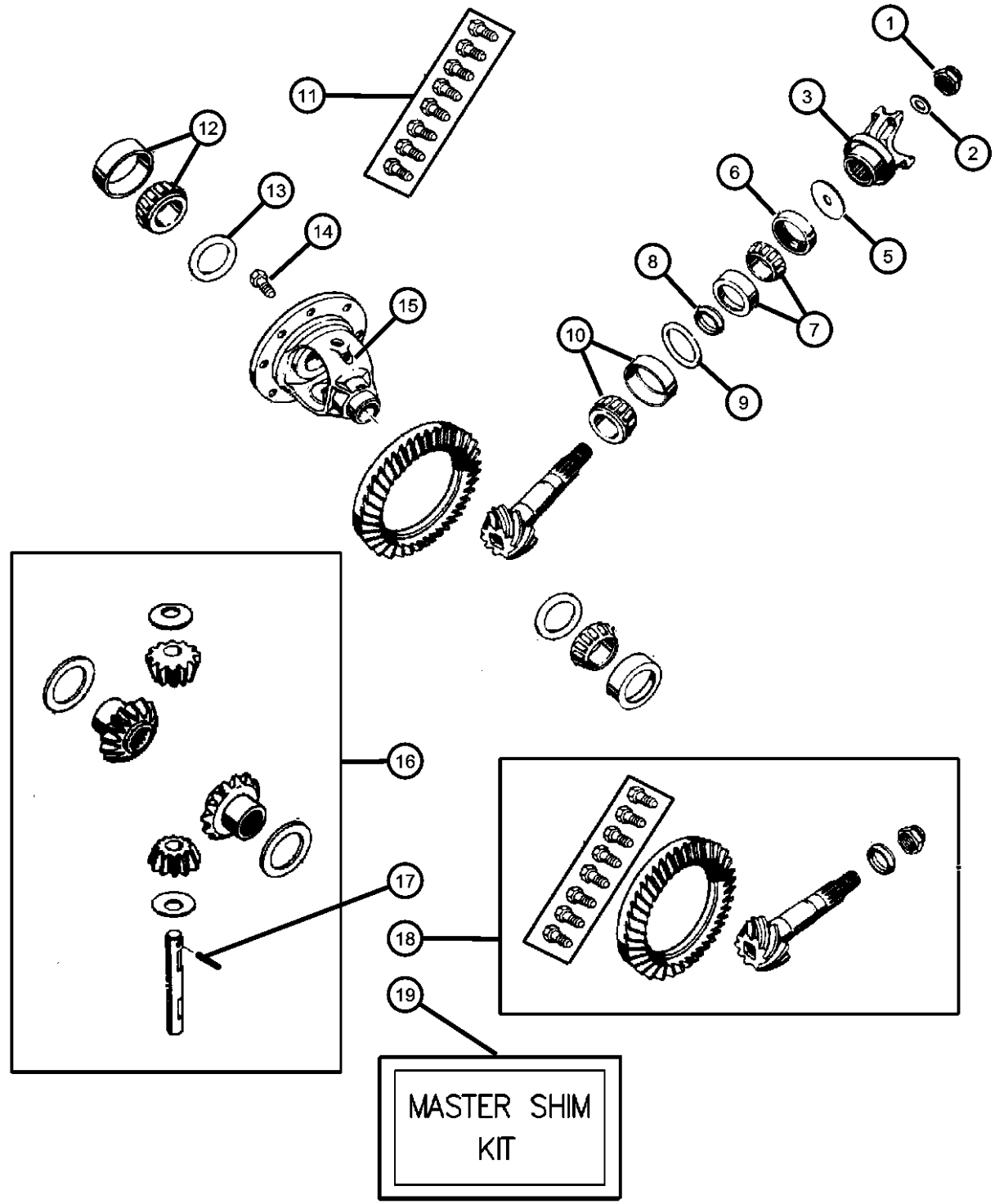
ENGINE
ERH = ENGINE - 4.0L POWER TECH I-6
EVA = ENGINE- 4.7L V8 MPI

TRANSMISSION
DGK = TRANSMISSION - 4-SPD. AUTOMATIC, 42RE
DGQ = TRANSMISSION-5SPD AUTOMATIC 5-45RFE
DGO = ALL AUTOMATIC TRANSMISSIONS

AR = use ase required - = Non illustrated part

2001 WJ

Differential, Without Trac-Lok, Dana Model 44/226 MM
Figure 3-250



ITEM	PART NUMBER	QTY	LINE	SERIES	BODY	ENGINE	TRANS	TRIM	DESCRIPTION
13									SHIM, Differential Bearing
	05017347AA	1							.103
	05017348AA	1							.104
	05017349AA	1							.105
	05017350AA	1							.106
	05017351AA	1							.107
	05017352AA	1							.108
	05017353AA	1							.109
	05017354AA	1							.110
	05017355AA	1							.111
	05017356AA	1							.112
	05017357AA	1							.113
	05017358AA	1							.114
	05017359AA	1							.115
	05017360AA	1							.116
	05017361AA	1							.117
	05017363AA	1							.119
	05017364AA	1							.120
	05017365AA	1							.121
	05017366AA	1							.122
	05017367AA	1							.123
	05017368AA	1							.124
	05017369AA	1							.125
	05017370AA	1							.126
	05017371AA	1							.127
	05017372AA	1							.128
	05017373AA	1							.129
	05017374AA	1							.130
	05017375AA	1							.131
	05017376AA	1							.132
	05017377AA	1							.133
	05017378AA	1							.134
	05017383AA	1							.135

GRAND CHEROKEE (WJ)

SERIES LINE
H = Laredo T = JEEP - 2WD
P = Limited J = JEEP - 4WD

BODY
74 = SPORT UTILITY 4-DR

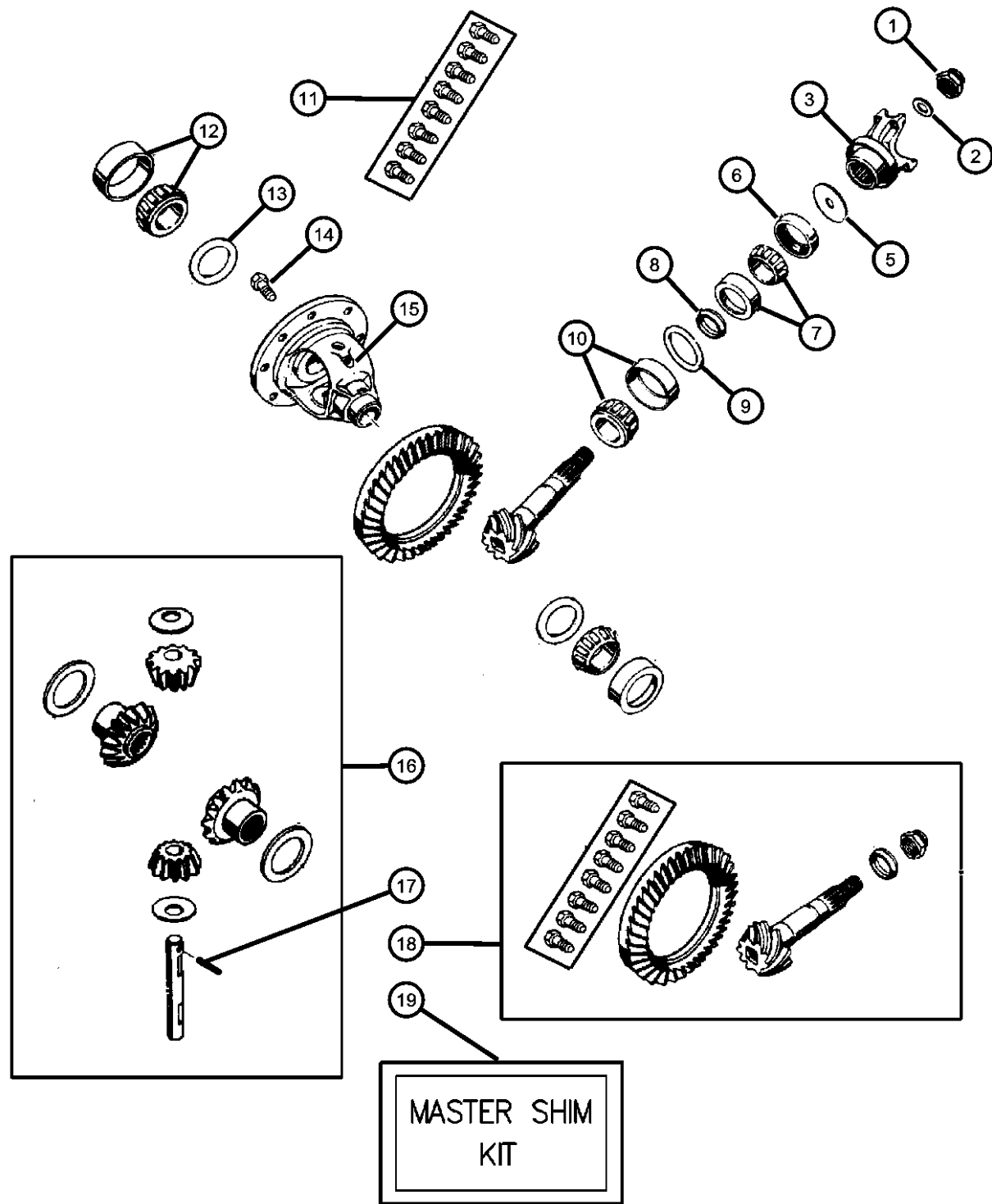
ENGINE
ERH = ENGINE - 4.0L
POWER TECH I-6
EVA = ENGINE- 4.7L V8 MPI

TRANSMISSION
DGK = TRANSMISSION - 4-SPD.
AUTOMATIC, 42RE
DGQ = TRANSMISSION-5SPD
AUTOMATIC 5-45RFE
DGO = ALL AUTOMATIC
TRANSMISSIONS

AR = use ase required - = Non illustrated part

2001 WJ

Differential, Without Trac-Lok, Dana Model 44/226 MM
Figure 3-250



ITEM	PART NUMBER	QTY	LINE	SERIES	BODY	ENGINE	TRANS	TRIM	DESCRIPTION
	05017384AA	1							.136'
	05017385AA	1							.137
	05017386AA	1							.138'
	05017387AA	1							.139
	05017388AA	1							.140
	05017389AA	1							.141
	05017390AA	1							.142
	05017391AA	1							.143
	05017392AA	1							.144
	05017393AA	1							.145'
	05017394AA	1							.146
	05017395AA	1							.147
	05017396AA	1							.148
	05017397AA	1							.149
	05017398AA	1							.150
	05017399AA	1							.151
	05017400AA	1							.152
	05017401AA	1							.153
	05017402AA	1							.154
	05017403AA	1							.155
14	05252503	20							SCREW, Drive Gear, 3/8-24 x .827' Ring Gear Bolt
15									CASE, Differential
	04856357	1							Uses 3/8-24 x .827' Ring Gear Bolts with Internal Parts
	05019855AA	1							Uses 7/16-20 x .750' Ring Gear Bolts with Internal Parts
16	04856366	1							GEAR KIT, Center Differential
17	05015223AA	1							PIN, Differential Shaft
18									GEAR KIT, Ring And Pinion
	05012841AA	1							[DME] with 3/8-24 x .827' Ring Gear Bolts
	05019854AA	1							[DME] with 7/16-20 x .750' Ring Gear Bolts
19	05017215AA	1							SHIM KIT, Differential, Master Shim Kit-Complete-Includes Items 9,13

GRAND CHEROKEE (WJ)

SERIES LINE
H = Laredo T = JEEP - 2WD
P = Limited J = JEEP - 4WD

BODY
74 = SPORT UTILITY 4-DR

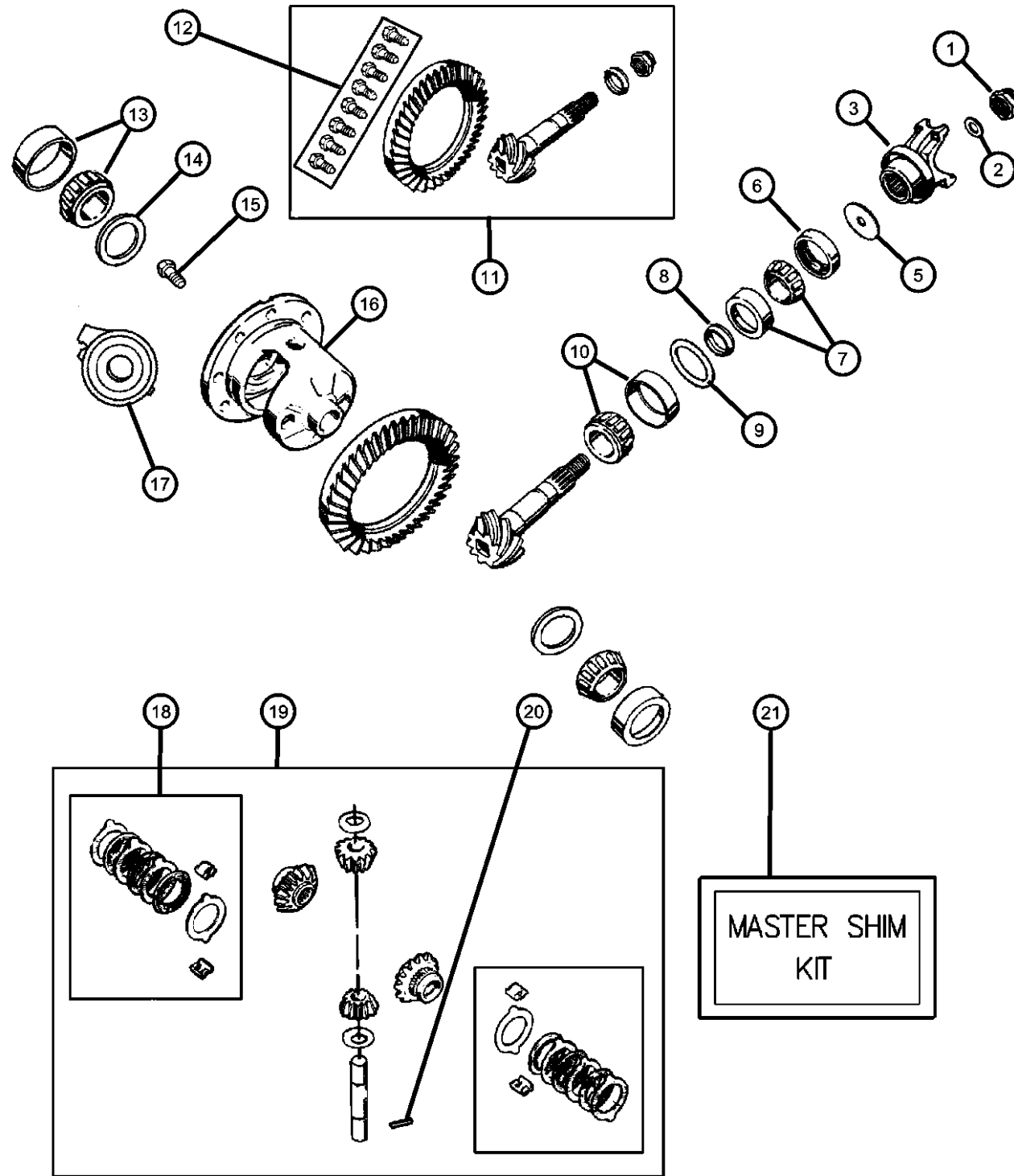
ENGINE
ERH = ENGINE - 4.0L
POWER TECH I-6
EVA = ENGINE- 4.7L V8 MPI

TRANSMISSION
DGK = TRANSMISSION - 4-SPD.
AUTOMATIC, 42RE
DGQ = TRANSMISSION-5SPD
AUTOMATIC 5-45RFE
DGO = ALL AUTOMATIC
TRANSMISSIONS

AR = use ase required - = Non illustrated part

2001 WJ

Differential, With Trac-Lok or Vari-Lok Progressive, Dana Model 44/226MM
Figure 3-260



ITEM	PART NUMBER	QTY	LINE	SERIES	BODY	ENGINE	TRANS	TRIM	DESCRIPTION
------	-------------	-----	------	--------	------	--------	-------	------	-------------

Note: Sales Codes;
 [DME] = Axle Ratio - 3.73
 [DSA] = Axle - Trac-Lok Differential
 [DSC] = Axle - Vari-Lok Progressive, Rear

1	01795173	1							NUT, Pinion Yoke
2	01795175	1							WASHER, Pinion Yoke
3	05012840AA	1							YOKE, Axle
4	05012847AA	1							O RING, Pinion Flange, Fits Over Hub of Axle Yoke
5	04746867	1							SLINGER, Drive Pinion
6	05072265AA	1							SEAL, Drive Pinion
7	04864210	1							BEARING, Drive Pinion, Bearing and Cup, Front
8	04864214	1							SPACER, Crush
9									SHIM, Drive Pinion Bearing, Replacement Individual PINION Shims for Master Shim Kit 5017215AA.
	05017332AA	1							.040
	05017333AA	1							.041
	05017334AA	1							.042
	05017335AA	1							.043
	05017336AA	1							.044
	05017337AA	1							.045
	05017338AA	1							.046
	05017339AA	1							.047
	05017340AA	1							.048
	05017341AA	1							.049
	05017342AA	1							.050
	05017343AA	1							.051
	05017344AA	1							.052
	05017345AA	1							.053
	05017346AA	1							.054
10	04746979	1							BEARING, Drive Pinion, Bearing and Cup, Rear
11									GEAR KIT, Ring And Pinion
	05012841AA	1							[DME] with 3/8-24 x .827" Ring Gear Bolts

GRAND CHEROKEE (WJ)

SERIES LINE
 H = Laredo T = JEEP - 2WD
 P = Limited J = JEEP - 4WD

BODY
 74 = SPORT UTILITY 4-DR

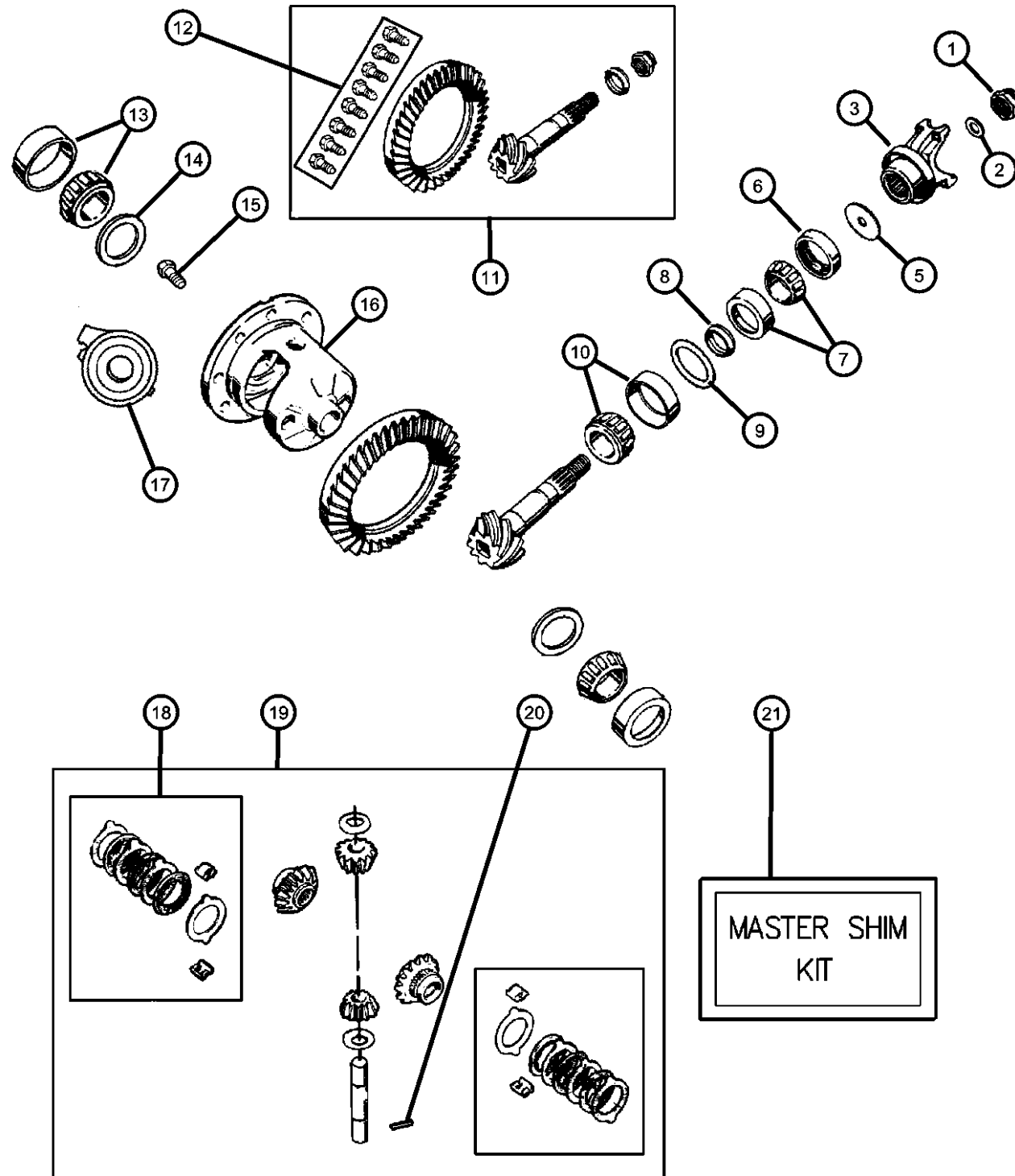
ENGINE
 ERH = ENGINE - 4.0L POWER TECH I-6
 EVA = ENGINE - 4.7L V8 MPI

TRANSMISSION
 DGK = TRANSMISSION - 4-SPD. AUTOMATIC, 42RE
 DGQ = TRANSMISSION-5SPD AUTOMATIC 5-45RFE
 DGO = ALL AUTOMATIC TRANSMISSIONS

AR = use ase required - = Non illustrated part

2001 WJ

Differential, With Trac-Lok or Vari-Lok Progressive, Dana Model 44/226MM
Figure 3-260



ITEM	PART NUMBER	QTY	LINE	SERIES	BODY	ENGINE	TRANS	TRIM	DESCRIPTION
	05019854AB	1							[DME] with 7/16-20 x .750' Ring Gear Bolts
12	04720891	1							BOLT KIT Contains 10- 3/8-24 x .827' Ring Gear Bolts
	05012810AC	1							Contains 10- 7/16-20 x .750' Ring Gear Bolts
13	04864213	1							BEARING, Differential Case, Contains 2 Cups and 2 Cones
14									SHIM, Differential Bearing, Replacement Individual DIFFERENTIAL Shims for Master Shim Kit 5017215AA
	05017347AA	1							.103
	05017348AA	1							.104
	05017349AA	1							.105
	05017350AA	1							.106
	05017351AA	1							.107
	05017352AA	1							.108
	05017353AA	1							.109
	05017354AA	1							.110
	05017355AA	1							.111
	05017356AA	1							.112
	05017357AA	1							.113
	05017358AA	1							.114
	05017359AA	1							.115
	05017360AA	1							.116
	05017361AA	1							.117
	05017362AA	1							.118
	05017363AA	1							.119
	05017364AA	1							.120
	05017365AA	1							.121
	05017366AA	1							.122
	05017367AA	1							.123
	05017368AA	1							.124
	05017369AA	1							.125
	05017370AA	1							.126

GRAND CHEROKEE (WJ)

SERIES LINE
H = Laredo T = JEEP - 2WD
P = Limited J = JEEP - 4WD

BODY
74 = SPORT UTILITY 4-DR

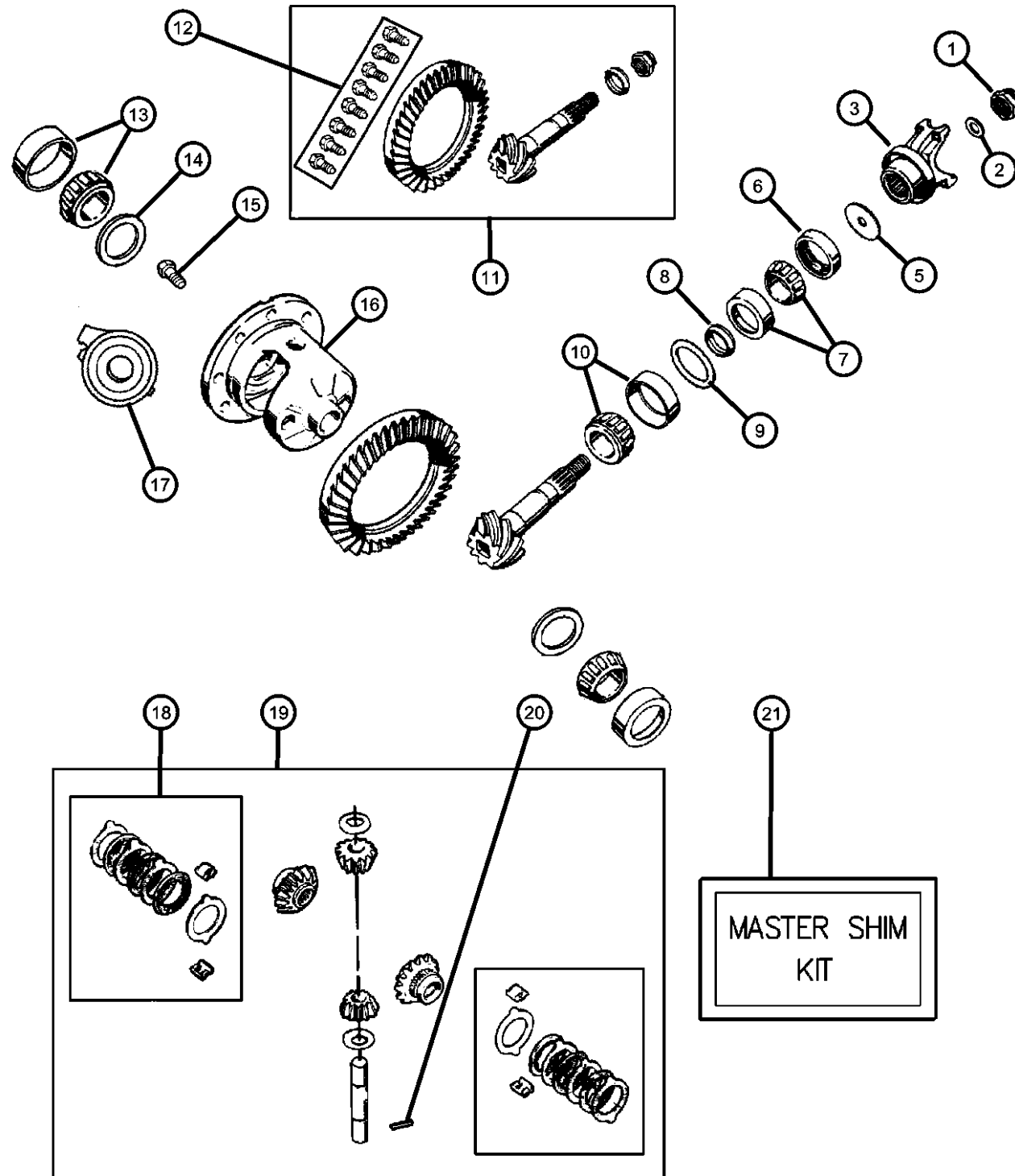
ENGINE
ERH = ENGINE - 4.0L
POWER TECH I-6
EVA = ENGINE- 4.7L V8 MPI

TRANSMISSION
DGK = TRANSMISSION - 4-SPD.
AUTOMATIC, 42RE
DGQ = TRANSMISSION-5SPD
AUTOMATIC 5-45RFE
DGO = ALL AUTOMATIC
TRANSMISSIONS

AR = use ase required - = Non illustrated part

2001 WJ

Differential, With Trac-Lok or Vari-Lok Progressive, Dana Model 44/226MM
Figure 3-260



ITEM	PART NUMBER	QTY	LINE	SERIES	BODY	ENGINE	TRANS	TRIM	DESCRIPTION
	05017371AA	1							.127
	05017372AA	1							.128
	05017373AA	1							.129
	05017374AA	1							.130
	05017375AA	1							.131
	05017376AA	1							.132
	05017377AA	1							.133
	05017378AA	1							.134
	05017383AA	1							.135
	05017384AA	1							.136
	05017385AA	1							.137
	05017386AA	1							.138
	05017387AA	1							.139
	05017388AA	1							.140
	05017389AA	1							.141
	05017390AA	1							.142
	05017391AA	1							.143
	05017392AA	1							.144
	05017393AA	1							.145
	05017394AA	1							.146
	05017395AA	1							.147
	05017396AA	1							.148
	05017397AA	1							.149
	05017398AA	1							.150
	05017399AA	1							.151
	05017400AA	1							.152
	05017401AA	1							.153
	05017402AA	1							.154
	05017403AA	1							.155
15	05252503	10							SCREW, Drive Gear, 3/8-24 x .827'
16									Ring Gear Bolts
	04856355	1							CASE, Differential
									[DSA] 3/8-24 x .827' Ring Gear Bolts with Internal Parts

GRAND CHEROKEE (WJ)

SERIES LINE
H = Laredo T = JEEP - 2WD
P = Limited J = JEEP - 4WD

BODY
74 = SPORT UTILITY 4-DR

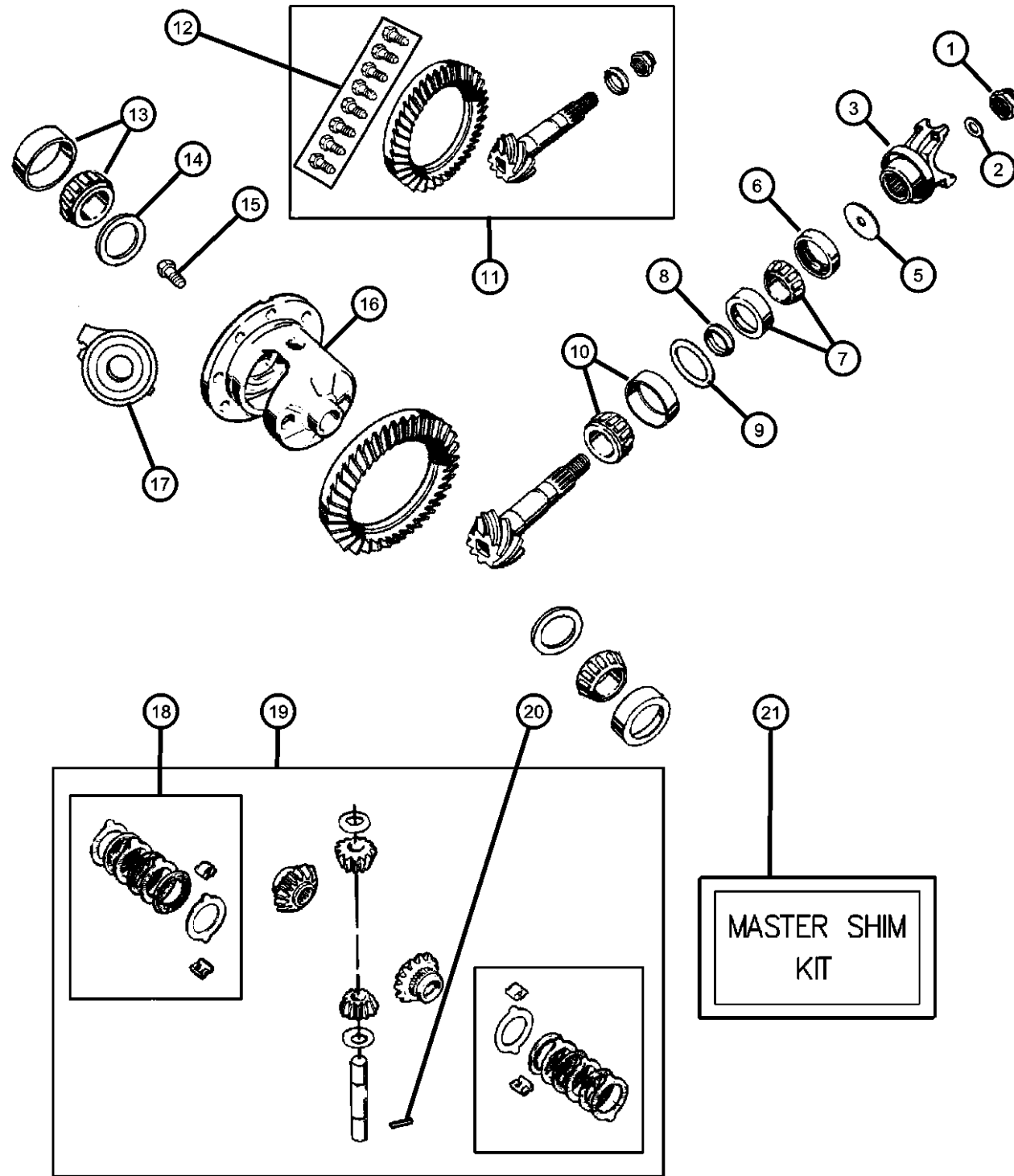
ENGINE
ERH = ENGINE - 4.0L
POWER TECH I-6
EVA = ENGINE- 4.7L V8 MPI

TRANSMISSION
DGK = TRANSMISSION - 4-SPD.
AUTOMATIC, 42RE
DGQ = TRANSMISSION-5SPD
AUTOMATIC 5-45RFE
DGO = ALL AUTOMATIC
TRANSMISSIONS

AR = use ase required - = Non illustrated part

2001 WJ

Differential, With Trac-Lok or Vari-Lok Progressive, Dana Model 44/226MM
Figure 3-260



ITEM	PART NUMBER	QTY	LINE	SERIES	BODY	ENGINE	TRANS	TRIM	DESCRIPTION
	05012869AA	1							[DSC] 3/8-24 x .827' Ring Gear Bolts with Internal Parts
	05019867AA	1							[DSC] 7/16-20 x .750' Ring Gear Bolts with Internal Parts
	05019868AA	1							[DSA] 7/16-20 x .750' Ring Gear Bolts with Internal Parts
17	05012870AA	1							PLENUM, Differential, [DSC]
18	04626720	1							DISC AND PLATE KIT, Differential, [DSA]
19	04856372	1							GEAR KIT, Center Differential, [DSA]
20	05015223AA	1							PIN, Differential Shaft, [DSA]
21	05017215AA	1							SHIM KIT, Differential, Master Shim Kit for the Complete Differential containing PINION Shims and DIFFERENTIAL Shims., Master Shim Kit-Complete- Includes Items 9,14

GRAND CHEROKEE (WJ)

SERIES LINE
H = Laredo T = JEEP - 2WD
P = Limited J = JEEP - 4WD

BODY
74 = SPORT UTILITY 4-DR

ENGINE
ERH = ENGINE - 4.0L
POWER TECH I-6
EVA = ENGINE- 4.7L V8 MPI

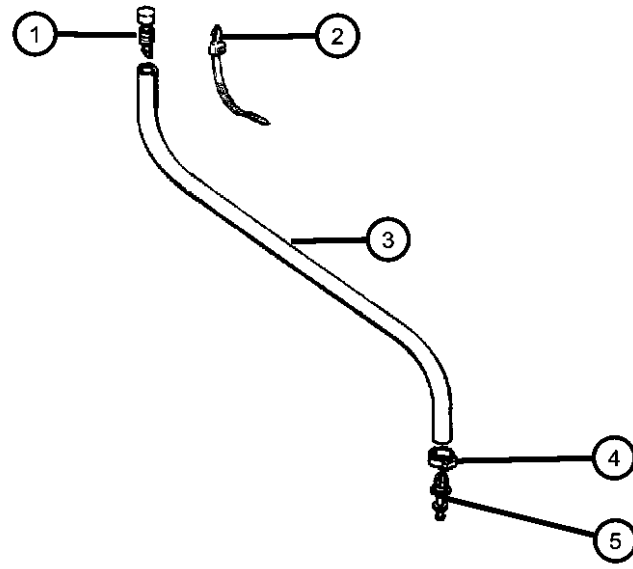
TRANSMISSION
DGK = TRANSMISSION - 4-SPD.
AUTOMATIC, 42RE
DGQ = TRANSMISSION-5SPD
AUTOMATIC 5-45RFE
DGO = ALL AUTOMATIC
TRANSMISSIONS

AR = use ase required - = Non illustrated part

2001 WJ

Rear Axle Vent
Figure 3-310

ITEM	PART NUMBER	QTY	LINE	SERIES	BODY	ENGINE	TRANS	TRIM	DESCRIPTION
1	J5352955	1							VENT, Axle
2	06016076	1							TIE STRAP
3	52098655AB	1							HOSE, Axle Vent
4	06503573	1							CLIP, Lower Clamp to Screw
5	04137696	1							SCREW, Brake Tee, .437-20x2.07, Double Ended Stud



GRAND CHEROKEE (WJ)

SERIES LINE
H = Laredo T = JEEP - 2WD
P = Limited J = JEEP - 4WD

BODY
74 = SPORT UTILITY 4-DR

ENGINE
ERH = ENGINE - 4.0L
POWER TECH I-6
EVA = ENGINE- 4.7L V8 MPI

TRANSMISSION
DGK = TRANSMISSION - 4-SPD.
AUTOMATIC,42RE
DGQ = TRANSMISSION-5SPD
AUTOMATIC 5-45RFE
DGO = ALL AUTOMATIC
TRANSMISSIONS

AR = use ase required - = Non illustrated part

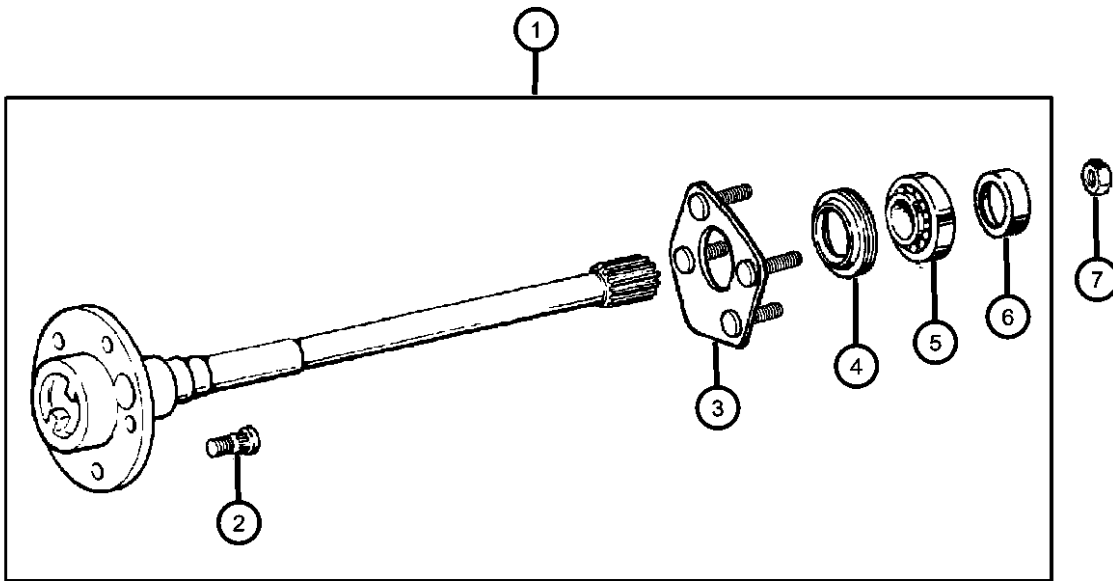
2001 WJ

Shaft , Rear Axle
Figure 3-410

ITEM	PART NUMBER	QTY	LINE	SERIES	BODY	ENGINE	TRANS	TRIM	DESCRIPTION
------	-------------	-----	------	--------	------	--------	-------	------	-------------

NOTES:

DRK = Rear Axle - Dana M44/216MM RBA
 DRM = Rear Axle - Dana M35C/194MM RBI
 DSC = Vari-Lok Differential



1									SHAFT, Axle
	05012820AA	1							[DRM], Right
	05012821AA	1							[DRM], Left
	05012850AA	1							[DRK,-DSC], Right
	05012851AA	1							[DRK,-DSC], Left
	05012872AA	1							[DRK,+DSC], Right
	05012873AA	1							[DRK,+DSC], Left
2	52098680	5							STUD, WheelMounting
3	05012827AA	2							RETAINER, Axle Shaft Seal
4	05012824AA	2							SEAL, Axle Drive Shaft
5	05012825AA	2							BEARING, Axle Shaft
6	05012826AA	1							RING, Axle Shaft
7	J9411783	8							NUT, Hex Flange Lock, Axle Shaft Seal Retainer, Mounting

GRAND CHEROKEE (WJ)

SERIES LINE
 H = Laredo T = JEEP - 2WD
 P = Limited J = JEEP - 4WD

BODY
 74 = SPORT UTILITY 4-DR

ENGINE
 ERH = ENGINE - 4.0L
 POWER TECH I-6
 EVA = ENGINE- 4.7L V8 MPI

TRANSMISSION
 DGK = TRANSMISSION - 4-SPD.
 AUTOMATIC,42RE
 DGQ = TRANSMISSION-5SPD
 AUTOMATIC 5-45RFE
 DGO = ALL AUTOMATIC
 TRANSMISSIONS

AR = use ase required - = Non illustrated part

2001 WJ

Group - 4

Parking Brake


Group - 4 Parking Brake

Group-Fig. No.

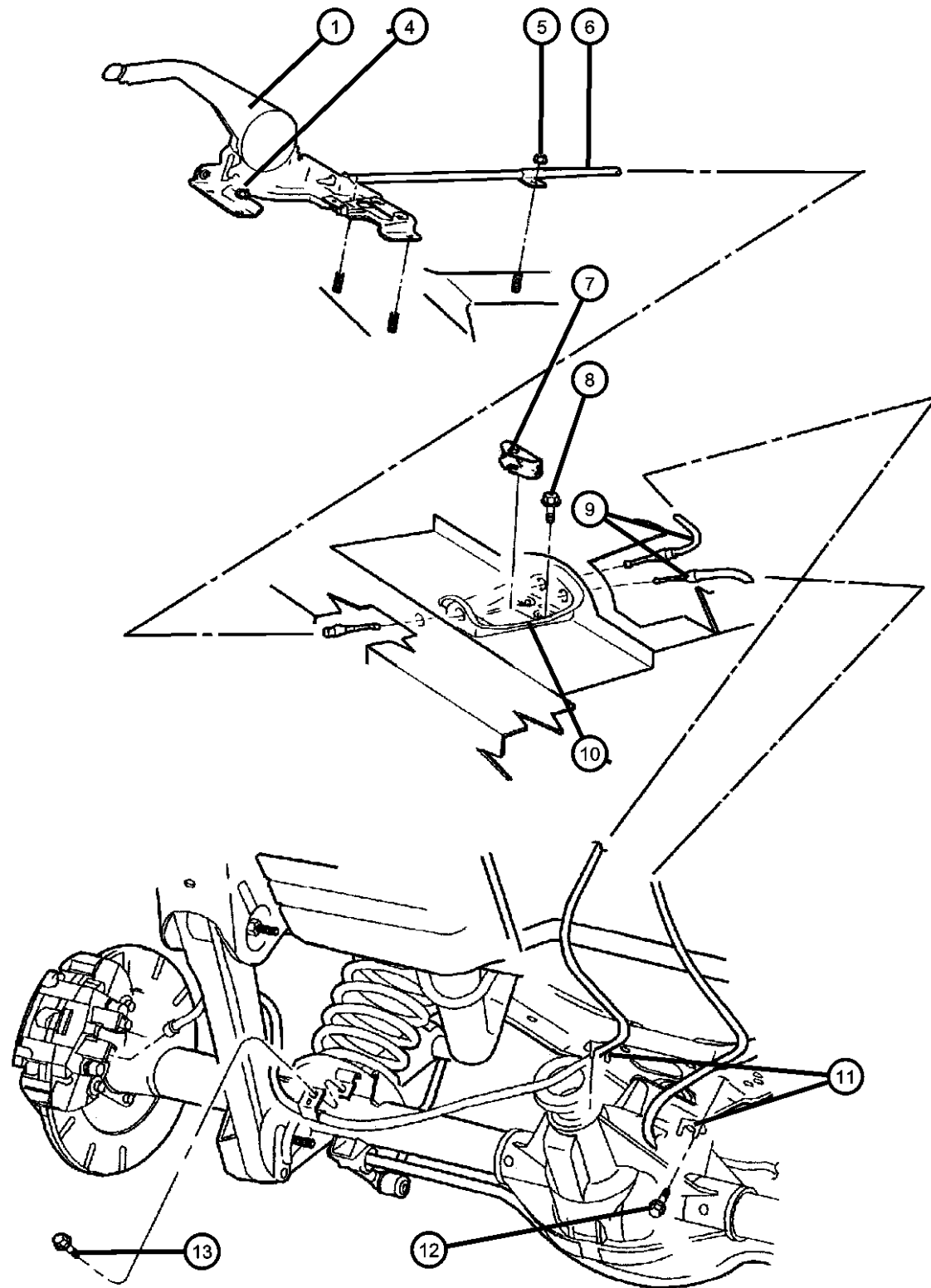
Illustration Title

Parking Brake Lever and Cables

Lever And Cable - Parking Brake Fig. 4 - 110
Rear Disc Parking Brake Assembly..... Fig. 4 - 120

<p>004-100 Parking Brake Lever and Cables</p> 			
--	--	--	--

Lever And Cable - Parking Brake
Figure 4-110



ITEM	PART NUMBER	QTY	LINE	SERIES	BODY	ENGINE	TRANS	TRIM	DESCRIPTION
1	52128246AF	1							LEVER, Park Brake
-2	52127960	1							SWITCH, Parking Brake
-3	05016265AA	1							COVER, Parking Brake
4	06505245AA	4							NUT, M8x1.25, Park Brake Lever Assembly, Mounting
5	06101802	1							NUT, Park Brake Cable, Mounting
6	52128243AA	1							CABLE, Parking BrakeFront
7	52128126	1							EQUALIZER, Parking Brake Cable
8	06502734	3							SCREW, M6x1x20, Cable Bracket, Mounting
9									CABLE, Parking Brake
	52128118AC	1							Right, Rear
	52128119AC	1							Left, Rear
10	52128236AB	1							BRACKET, Cable, Park Brake Reaction
11	52128224AB	2							BRACKET, Cable, UCA, Mounting
12	06505242AA	2							SCREW, Bracket to UCA, Mounting
13	06505242AA	2							SCREW, Hex Flange Head, M6x1.00x15.00, (NOT SERVICED)

GRAND CHEROKEE (WJ)

SERIES LINE
H = Laredo T = JEEP - 2WD
P = Limited J = JEEP - 4WD

BODY
74 = SPORT UTILITY 4-DR

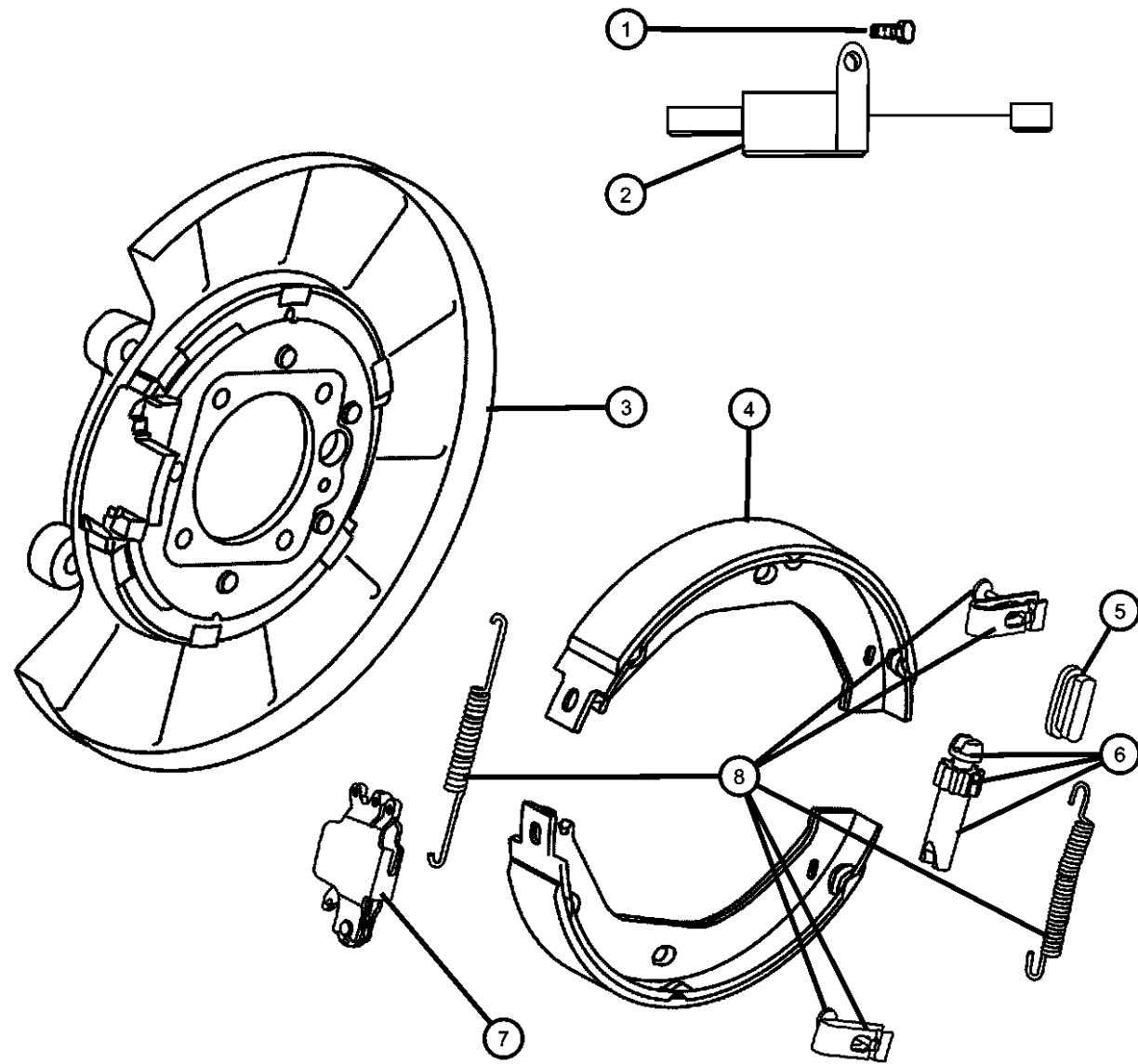
ENGINE
ERH = ENGINE - 4.0L
POWER TECH I-6
EVA = ENGINE- 4.7L V8 MPI

TRANSMISSION
DGK = TRANSMISSION - 4-SPD.
AUTOMATIC, 42RE
DGQ = TRANSMISSION-5SPD
AUTOMATIC 5-45RFE
DGO = ALL AUTOMATIC
TRANSMISSIONS

AR = use ase required - = Non illustrated part

2001 WJ

**Rear Disc Parking Brake Assembly
Figure 4-120**



ITEM	PART NUMBER	QTY	LINE	SERIES	BODY	ENGINE	TRANS	TRIM	DESCRIPTION
Note: 5014038AA Spring Kit , contains 2 Brake Shoe Hold Down Pins, 2 Parking Brake Hold Down Clips, 1 Park Brake Shoe Return Spring Upper and Lower									
1	05012814AA	2							BOLT, ABS SensorRight or Left
2	56041308AA	1							SENSOR, Wheel Speed Right
	56041509AA	1							Left
3	05011982AA	1							PLATE, Brake BackingRight or Left
4	05011988AA	1							SHOE AND LINING KIT, Parking BrakeRight & Left
	BHKP7306								Mopar Parking Brake Hardware Kit
5	05012354AA	1							PLUG, Brake Adjusting HoleRight or Left
6	05011993AA	1							ADJUSTER, Parking BrakeRight or Left
7	05011994AA	1							LEVER, Park BrakeRight or Left
8	05014038AA	1							SPRING KIT, Brake Shoe Hold Down, See Note At Top of Page, Right or Left

GRAND CHEROKEE (WJ)

SERIES	LINE
H = Laredo	T = JEEP - 2WD
P = Limited	J = JEEP - 4WD

BODY
74 = SPORT UTILITY 4-DR

ENGINE
ERH = ENGINE - 4.0L POWER TECH I-6
EVA = ENGINE- 4.7L V8 MPI

TRANSMISSION
DGK = TRANSMISSION - 4-SPD. AUTOMATIC, 42RE
DGQ = TRANSMISSION-5SPD AUTOMATIC 5-45RFE
DGO = ALL AUTOMATIC TRANSMISSIONS

AR = use ase required - = Non illustrated part

2001 WJ

Group - 5

Service Brakes

Group - 5 Service Brakes

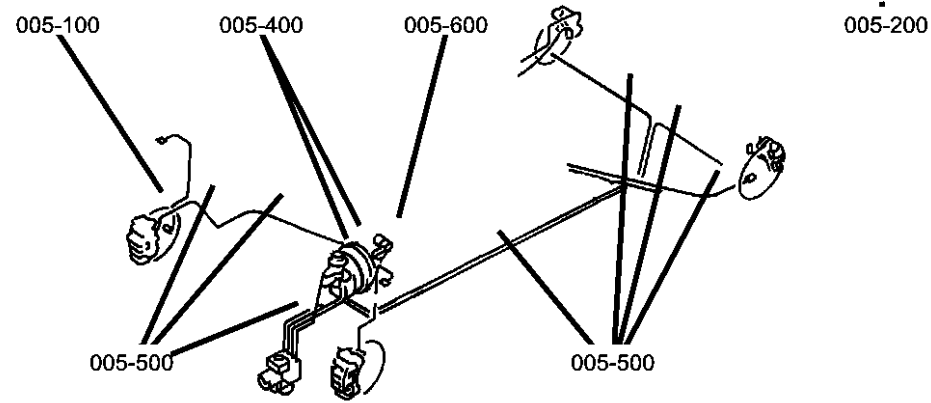


Illustration Title

Group-Fig. No.

Front Brakes

Front Disc Brake Caliper 'Continental Teves' and Rotor Fig. 5 - 110
 Front Disc Brake Caliper 'Akebono' and Rotor Fig. 5 - 120

Rear Brakes

Rear Disc Brake Caliper Fig. 5 - 210

Power Brake Booster

Power Brake Booster Fig. 5 - 310

Brake Master Cylinder

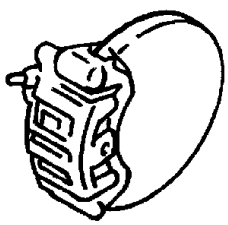
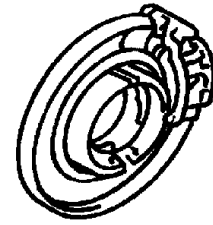
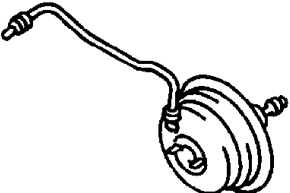
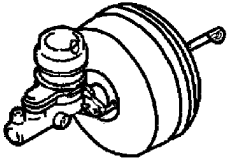
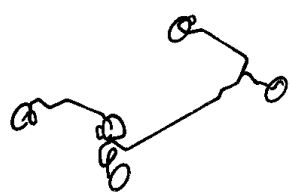

Master Cylinder, Brake Fig. 5 - 410
 Hydraulic Control Unit Fig. 5 - 420

Brake Lines and Hoses

Brake Lines, Front, Right Fig. 5 - 510
 Brakes Lines, Front, Left, and Rear Fig. 5 - 520
 Front Brake Hose at Caliper Fig. 5 - 530
 Rear Brake Lines and Hoses Fig. 5 - 540

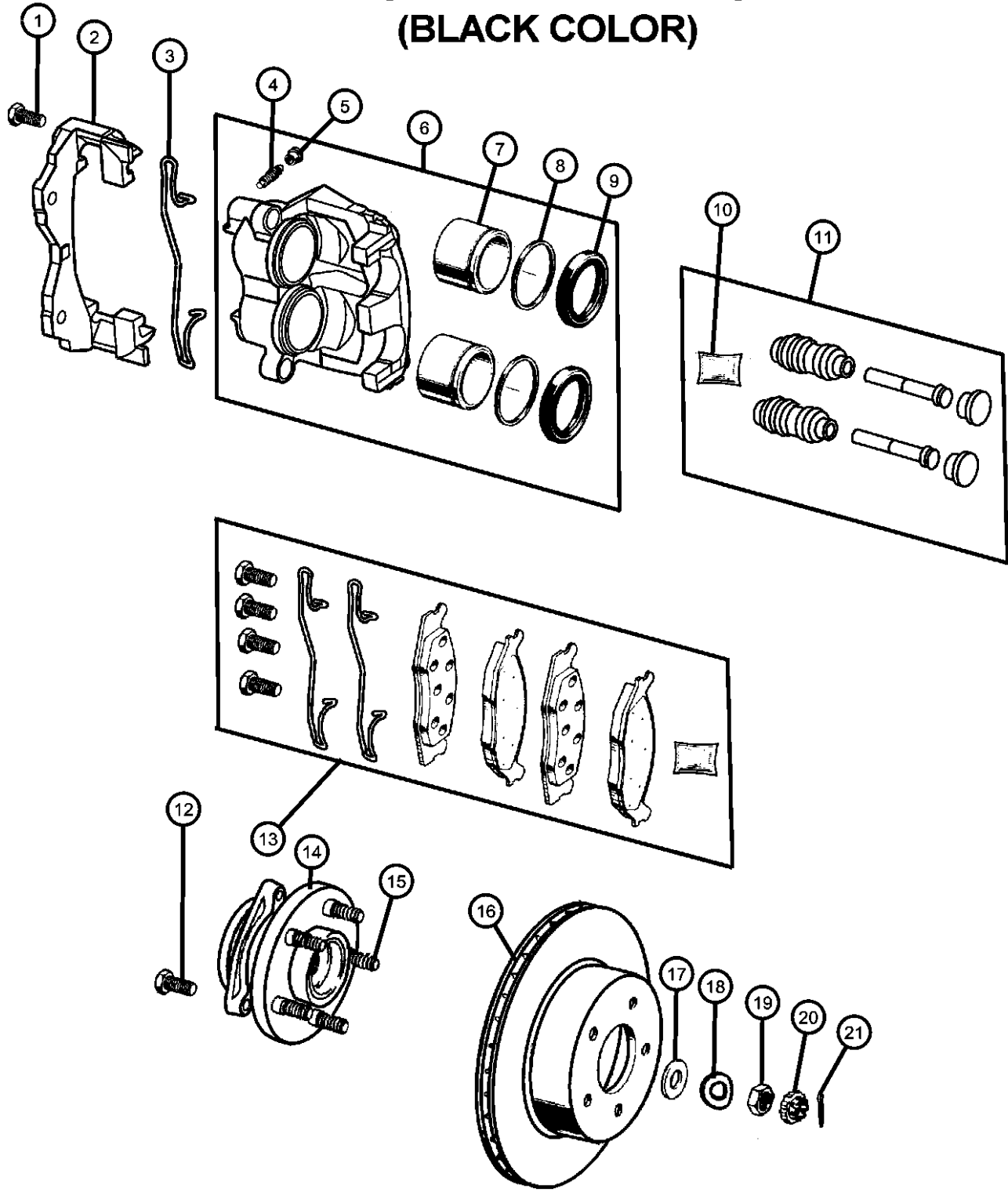
Brake Pedals

Brake Pedal & Bracket Fig. 5 - 610

<p>005-100 Front Brakes</p> 	<p>005-200 Rear Brakes</p> 	<p>005-300 Power Brake Booster</p> 	<p>005-400 Brake Master Cylinder</p> 
<p>005-500 Brake Lines and Hoses</p> 	<p>005-600 Brake Pedals</p> 		

**Front Disc Brake Caliper 'Continental Teves' and Rotor
Figure 5-110**

**"CONTINENTAL TEVES"
(BLACK COLOR)**



ITEM	PART NUMBER	QTY	LINE	SERIES	BODY	ENGINE	TRANS	TRIM	DESCRIPTION
1	05012437AA	4	J						BOLT Caliper Bracket, Mounting
2	05011979AA	4	T						Caliper Bracket, Mounting BRACKET
3	05011971AA	1	J						Caliper, Mounting
4	04126879	1	T						Caliper, Mounting SPRING, Brake Shoe Hold Down
5	04126733	1	J						BLEEDER SCREW, Brake
6	05011972AA	1	T						CALIPER, Disc Brake Right
7	05011973AA	1	J						Right
8	05011983AA	1	T						Left
9	05011984AA	1	J						Left
10	05011985AA	2	T						PISTON, Brake
11	05011987AA	1	J						SEAL, Caliper Piston
12	05011984AA	2	T						BOOT, Brake Piston
13	05011985AA	2	J						BOOT, Brake Piston
14	05011987AA	1							GREASE, Packet
15	05011981AA	1	J						PIN KIT, Disc Brake
16	05011981AA	1	T						PIN KIT, Disc Brake
17		1							BOLT
18		1							BOLT
19		1							BOLT
20		1							BOLT
21		1							BOLT

GRAND CHEROKEE (WJ)

SERIES LINE
H = Laredo T = JEEP - 2WD
P = Limited J = JEEP - 4WD

BODY
74 = SPORT UTILITY 4-DR

ENGINE
ERH = ENGINE - 4.0L
POWER TECH I-6
EVA = ENGINE- 4.7L V8 MPI

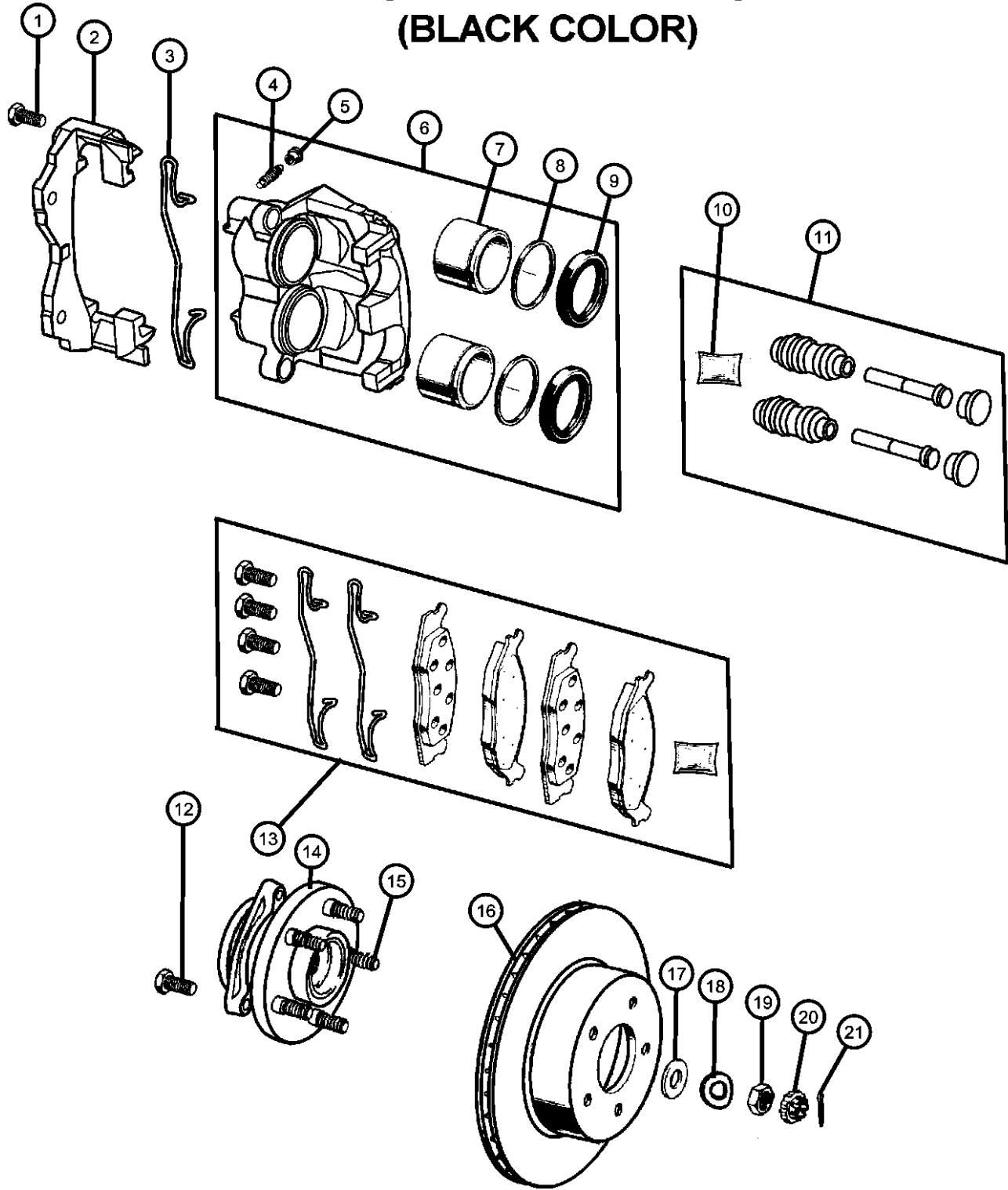
TRANSMISSION
DGK = TRANSMISSION - 4-SPD.
AUTOMATIC, 42RE
DGQ = TRANSMISSION-5SPD
AUTOMATIC 5-45RFE
DGO = ALL AUTOMATIC
TRANSMISSIONS

AR = use ase required - = Non illustrated part

2001 WJ

**Front Disc Brake Caliper 'Continental Teves' and Rotor
Figure 5-110**

**"CONTINENTAL TEVES"
(BLACK COLOR)**



ITEM	PART NUMBER	QTY	LINE	SERIES	BODY	ENGINE	TRANS	TRIM	DESCRIPTION	
13	05012436AA	6	T						Hub and Bearing, Mounting	
		6	J						Hub and Bearing, Mounting	
									PAD KIT, Front Disc Brake	
	05018592AA	1	T						Make It Original Brake Kit	
	VOET3592								Mopar V-Line Alternative Part Ceramic	
	V3013592								Mopar V-Line Alternative Part Disc Hardware	
	BHKH5649								Mopar V-Line Alternative Part Caliper Bolts	
	BHKH5025								Mopar V-Line Alternative Part	
	V1013592AB								Make It New Brake Kits	
	VWJT3592								Keep It New	
	VHDWJ592									
			1	J						Make It Original Brake Kit
	14	VOET3592								Make It Original Brake Kit
V3013592									Mopar V-Line Alternative Part Ceramic	
BHKH5649									Mopar V-Line Alternative Part Disc Hardware	
BHKH5025									Mopar V-Line Alternative Part Caliper Bolts	
V1013592AB									Mopar V-Line Alternative Part	
VWJT3592									Make It New Brake Kits	
VHDWJ592									Keep It New	
									HUB AND BEARING, Brake	
52098679AC		2	J							
		2	T							
15		06036388AA	5							BOLT, Hub and Rotor
										15.3mm Around Serations, Right or Left
		06036424AA	5	T						16.3mm Around Serations, Right or Left
		5	J						16.3mm Around Serations, Right or Left	
									ROTOR, Brake	
16	52098672	2	T							
	V5018672								Mopar V-Line Alternative Brake Rotors	

GRAND CHEROKEE (WJ)

SERIES LINE
H = Laredo T = JEEP - 2WD
P = Limited J = JEEP - 4WD

BODY
74 = SPORT UTILITY 4-DR

ENGINE
ERH = ENGINE - 4.0L POWER TECH I-6
EVA = ENGINE- 4.7L V8 MPI

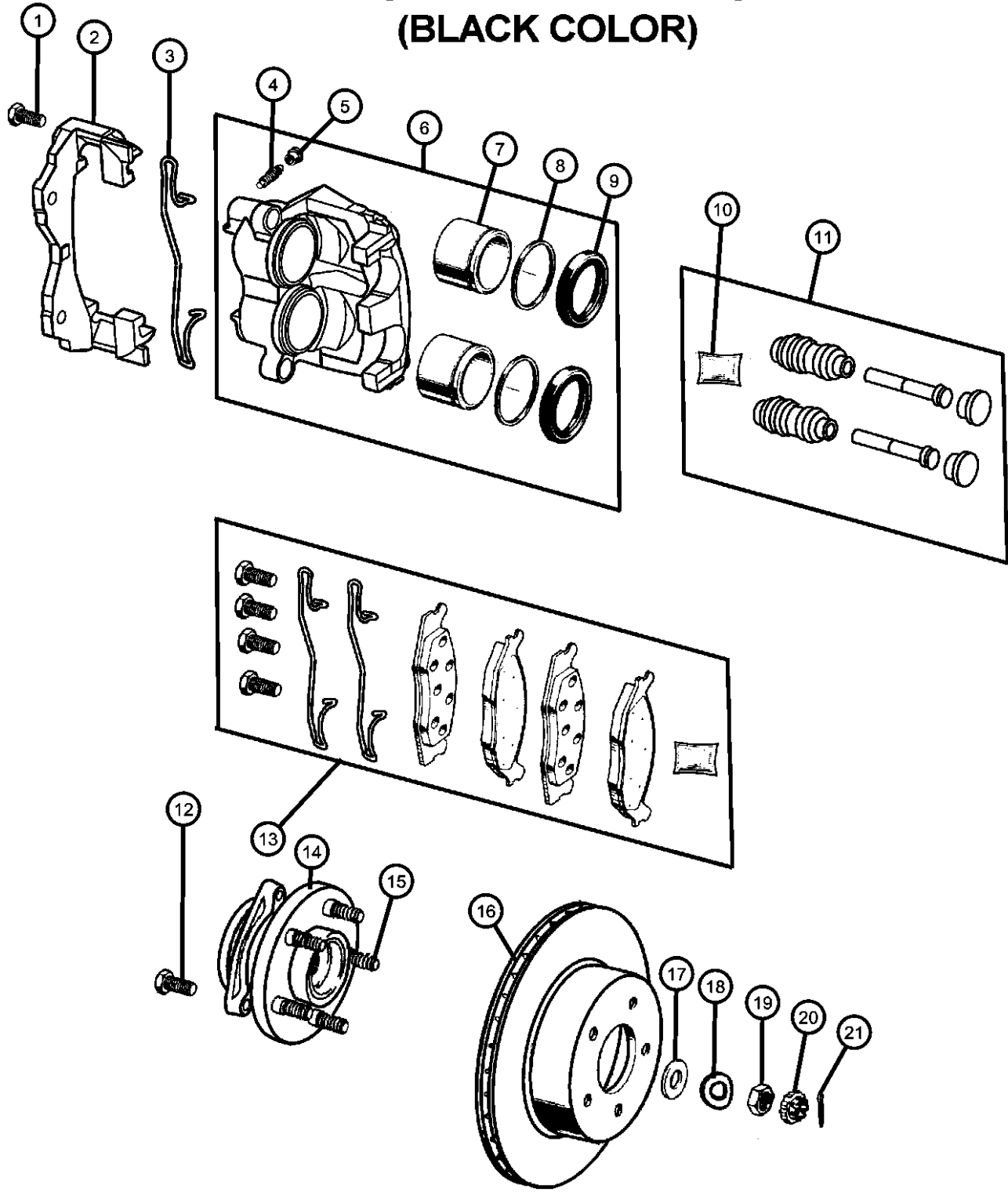
TRANSMISSION
DGK = TRANSMISSION - 4-SPD. AUTOMATIC, 42RE
DGQ = TRANSMISSION-5SPD AUTOMATIC 5-45RFE
DGO = ALL AUTOMATIC TRANSMISSIONS

AR = use ase required - = Non illustrated part

2001 WJ

**Front Disc Brake Caliper 'Continental Teves' and Rotor
Figure 5-110**

**"CONTINENTAL TEVES"
(BLACK COLOR)**



ITEM	PART NUMBER	QTY	LINE	SERIES	BODY	ENGINE	TRANS	TRIM	DESCRIPTION
	V5018672	2	J						Mopar V-Line Alternative Brake Rotors
17	J4200096	2	T						WASHER, Flat
18	04740749	2	J						WASHER, Wave
19	J4200095	2	T						NUT, Hex
20	J4200097	2	T						RETAINER, Hub Nut
21	11010069	2	T						PIN, Cotter, M4x40.00

GRAND CHEROKEE (WJ)

SERIES LINE
H = Laredo T = JEEP - 2WD
P = Limited J = JEEP - 4WD

BODY
74 = SPORT UTILITY 4-DR

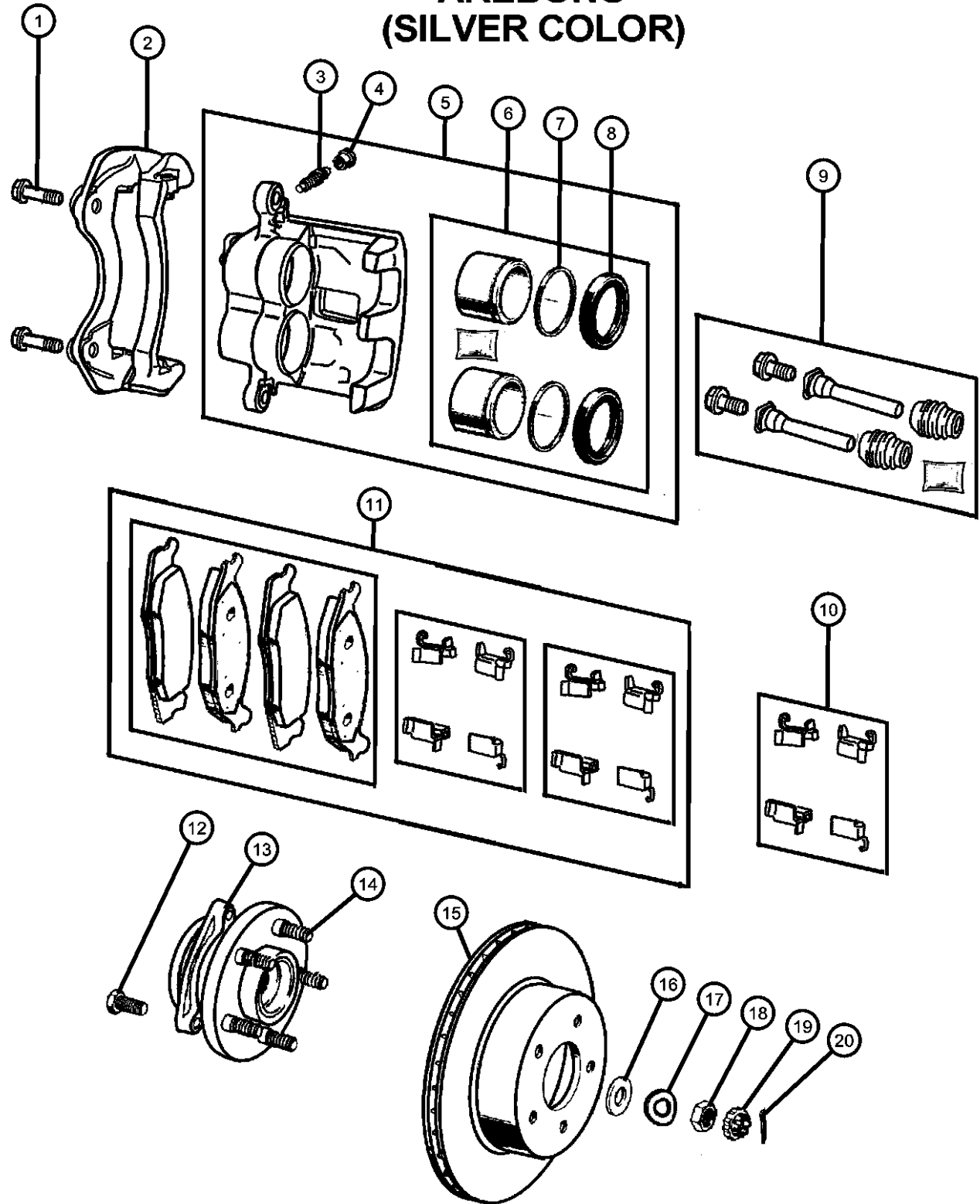
ENGINE
ERH = ENGINE - 4.0L
POWER TECH I-6
EVA = ENGINE- 4.7L V8 MPI

TRANSMISSION
DGK = TRANSMISSION - 4-SPD.
AUTOMATIC, 42RE
DGQ = TRANSMISSION-5SPD
AUTOMATIC 5-45RFE
DGO = ALL AUTOMATIC
TRANSMISSIONS

AR = use ase required - = Non illustrated part

Front Disc Brake Caliper 'Akebono' and Rotor
Figure 5-120

"AKEBONO"
(SILVER COLOR)



ITEM	PART NUMBER	QTY	LINE	SERIES	BODY	ENGINE	TRANS	TRIM	DESCRIPTION
1	05012437AA	4	T						BOLT Caliper Bracket, Mounting
2	05093182AA	4	J						Caliper Bracket, Mounting BRACKET Caliper, Mounting
3	05093189AA	1	T						Caliper, Mounting BLEEDER SCREW, Brake
4	05093190AA	1	J						CAP, Bleeder
5	05093180AA	1	J						CALIPER, Disc Brake Right
	VK318081AA	1	T						Mopar Loaded Brake Caliper Kit (2 Calipers, Brake Friction) Right
	VK318081AA	1	T						Mopar Loaded Brake Caliper Kit (2 Calipers, Brake Friction) Right
	05093181AA	1	J						Mopar Loaded Brake Caliper Kit (2 Calipers, Brake Friction) Left
	VK318081AA	1	T						Mopar Loaded Brake Caliper Kit (2 Calipers, Brake Friction) Left
	VK318081AA	1	T						Mopar Loaded Brake Caliper Kit (2 Calipers, Brake Friction) Left
6	05093186AA	1	J						PISTON KIT, Front Brake
7	05093187AA	2	J						SEAL, Caliper Piston
8	05093188AA	2	J						BOOT, Brake Piston
9	05093184AA	1	J						PIN KIT, Disc Brake

GRAND CHEROKEE (WJ)

SERIES LINE
H = Laredo T = JEEP - 2WD
P = Limited J = JEEP - 4WD

BODY
74 = SPORT UTILITY 4-DR

ENGINE
ERH = ENGINE - 4.0L
POWER TECH I-6
EVA = ENGINE- 4.7L V8 MPI

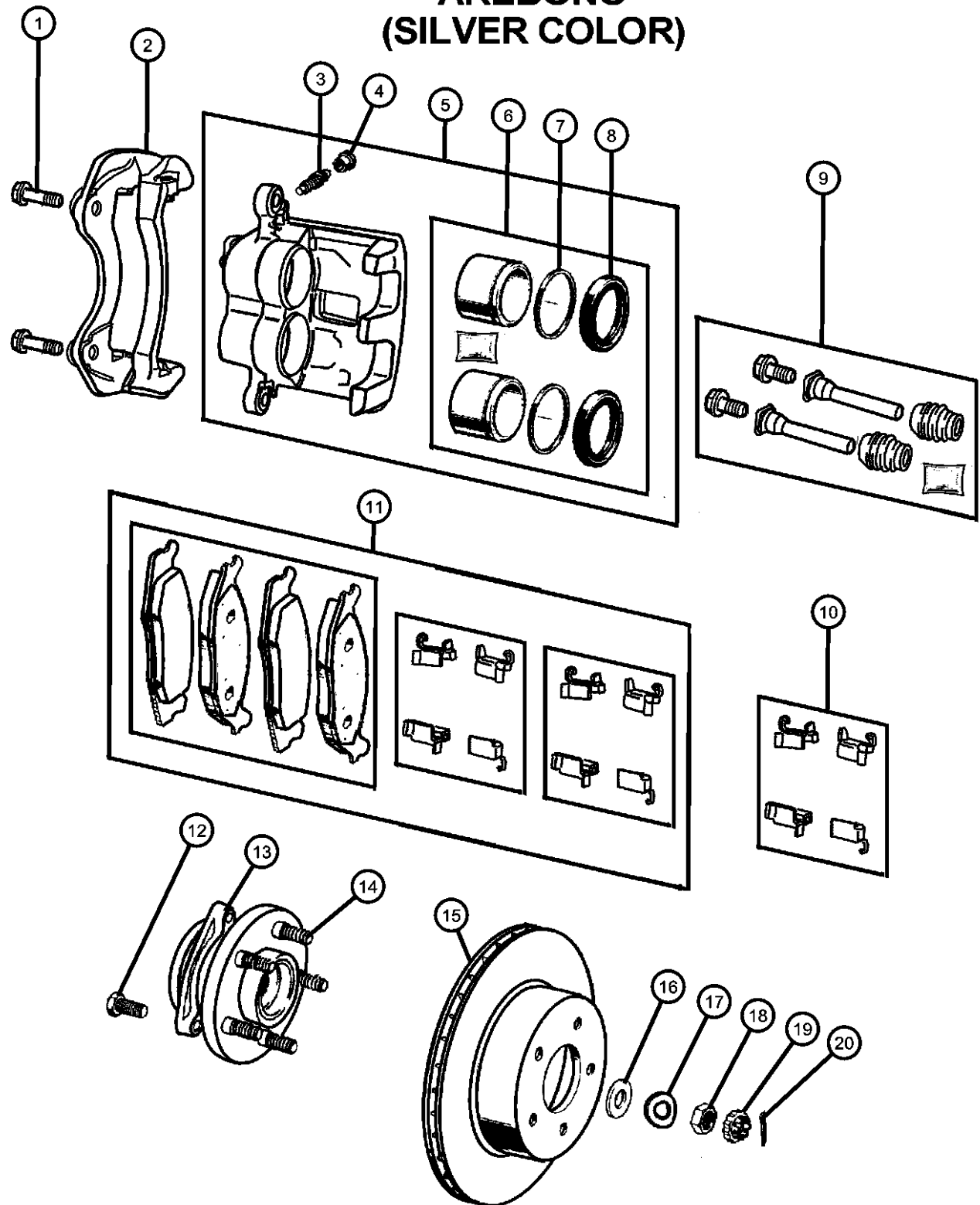
TRANSMISSION
DGK = TRANSMISSION - 4-SPD.
AUTOMATIC, 42RE
DGQ = TRANSMISSION-5SPD
AUTOMATIC 5-45RFE
DGO = ALL AUTOMATIC
TRANSMISSIONS

AR = use ase required - = Non illustrated part

2001 WJ

**Front Disc Brake Caliper 'Akebono' and Rotor
Figure 5-120**

**"AKEBONO"
(SILVER COLOR)**



ITEM	PART NUMBER	QTY	LINE	SERIES	BODY	ENGINE	TRANS	TRIM	DESCRIPTION
10		1	T						SPRING KIT, Brake Shoe Hold Down
	05093185AA	2	J						
		2	T						
11		1	J						PAD KIT, Front Disc Brake
	05093183AA	1	J						
	VOEA3183								Make It Original Brake Kit
	V3013183								Mopar V-Line Alternative Part Ceramic
	V1013183								Mopar V-Line Alternative Part
	BHKH5684								Mopar V-Line Alternative Part Disc Hardware
	BHKH5072								Mopar V-Line Alternative Part Caliper Bolts
	VWJA3183								Make It New Brake Kits
	VK318081AA								Mopar Loaded Brake Caliper Kit (2 Calipers, Brake Friction)
	VHDWJ183								Keep It New
		1	T						
	VOEA3183								Make It Original Brake Kit
	V3013183								Mopar V-Line Alternative Part Ceramic
	V1013183								Mopar V-Line Alternative Part
	BHKH5684								Mopar V-Line Alternative Part Disc Hardware
	BHKH5072								Mopar V-Line Alternative Part Caliper Bolts
	VWJA3183								Make It New Brake Kits
	VK318081AA								Mopar Loaded Brake Caliper Kit (2 Calipers, Brake Friction)
	VHDWJ183								Keep It New
12		6	T						BOLT
	05012436AA	6	J						Hub and Bearing, Mounting
		6	J						Hub and Bearing, Mounting
13		2	T						HUB AND BEARING, Brake
	52098679AD	2	J						

GRAND CHEROKEE (WJ)

SERIES LINE
H = Laredo T = JEEP - 2WD
P = Limited J = JEEP - 4WD

BODY
74 = SPORT UTILITY 4-DR

ENGINE
ERH = ENGINE - 4.0L POWER TECH I-6
EVA = ENGINE- 4.7L V8 MPI

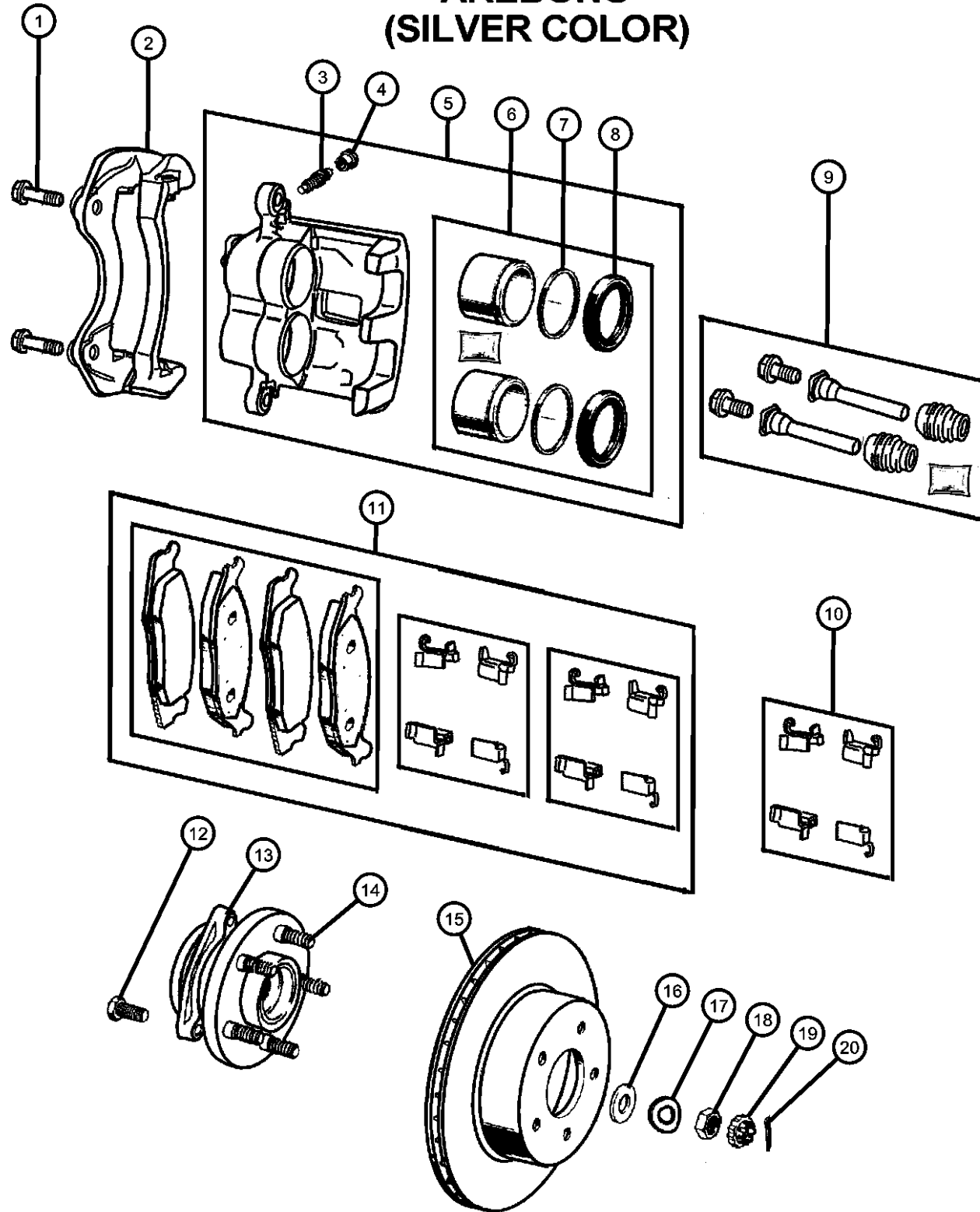
TRANSMISSION
DGK = TRANSMISSION - 4-SPD. AUTOMATIC, 42RE
DGQ = TRANSMISSION-5SPD AUTOMATIC 5-45RFE
DGO = ALL AUTOMATIC TRANSMISSIONS

AR = use ase required - = Non illustrated part

2001 WJ

Front Disc Brake Caliper 'Akebono' and Rotor
Figure 5-120

"AKEBONO"
(SILVER COLOR)



ITEM	PART NUMBER	QTY	LINE	SERIES	BODY	ENGINE	TRANS	TRIM	DESCRIPTION
14	06036388AA	5							BOLT, Hub and Rotor 15.3mm Around Serations, Right or Left
	06036424AA	5	T						16.3mm Around Serations, Right or Left
		5	J						16.3mm Around Serations, Right or Left
15	52098672	2	T						ROTOR, Brake
	V5018672								Mopar V-Line Alternative Brake Rotors
		2	J						Mopar V-Line Alternative Brake Rotors
16	V5018672								WASHER, Flat
	J4200096	2	T						
		2	J						
17	04740749	2	J						WASHER, Wave
		2	T						
18	J4200095	2	J						NUT, Hex
		2	T						
19	J4200097	2	T						RETAINER, Hub Nut
		2	J						
20	11010069	2	T						PIN, Cotter, M4x40.00
		2	J						

GRAND CHEROKEE (WJ)

SERIES LINE
H = Laredo T = JEEP - 2WD
P = Limited J = JEEP - 4WD

BODY
74 = SPORT UTILITY 4-DR

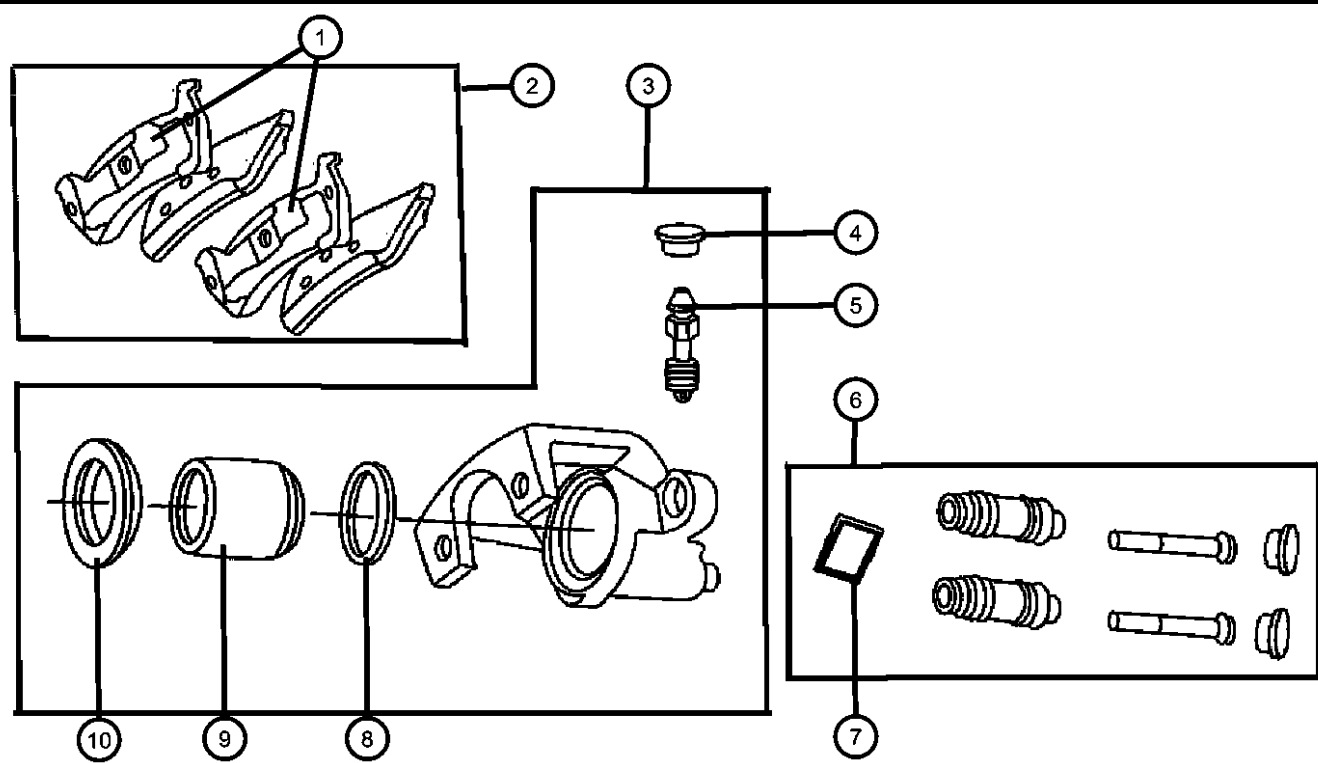
ENGINE
ERH = ENGINE - 4.0L
POWER TECH I-6
EVA = ENGINE- 4.7L V8 MPI

TRANSMISSION
DGK = TRANSMISSION - 4-SPD.
AUTOMATIC, 42RE
DGQ = TRANSMISSION-5SPD
AUTOMATIC 5-45RFE
DGO = ALL AUTOMATIC
TRANSMISSIONS

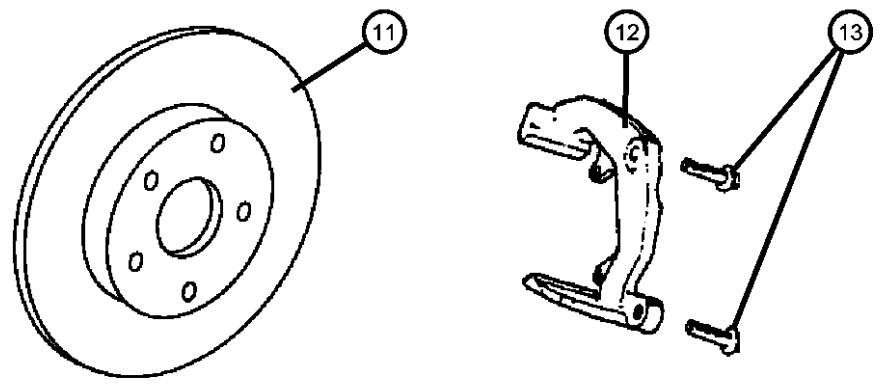
AR = use ase required - = Non illustrated part

2001 WJ

**Rear Disc Brake Caliper
Figure 5-210**



ITEM	PART NUMBER	QTY	LINE	SERIES	BODY	ENGINE	TRANS	TRIM	DESCRIPTION
1	05011978AA	1							SPRING, Brake Shoe Hold Down
2	05011970AA	1							PAD KIT, Rear Disc Brake
	BHKH5025								Mopar V-Line Alternative Part
	BHKH5648								Caliper Bolts
	V2013970AB								Mopar V-Line Alternative Part
	V4010791								Disc Hardware
	VRWJ3970								Mopar V-Line Alternative Part
3									Mopar Make it New Rear
									CALIPER, Disc Brake
	05011974AA	1							Right
	05011975AA	1							Left
4	04126733	1							CAP, Bleeder
5	04126879	1							SCREW, Bleeder
6	05011981AA	1							PIN KIT, Disc Brake
7	05011987AA	1							GREASE, Packet
8	05011984AA	1							SEAL, Caliper Piston
9	05011983AA	1							PISTON, Brake
10	05011985AA	1							BOOT, Brake Piston
11	52098666	2							ROTOR, Brake
	V5018666								Mopar V-Line Alternative Brake Rotors
12	05011980AA	1							BRACKET, Right or Left
13	05012437AA	1							BOLT
-14									SENSOR, Wheel Speed
	56041308AA	2							Right
	56041509AA	1							Left



GRAND CHEROKEE (WJ)

SERIES	LINE	BODY	ENGINE	TRANSMISSION
H = Laredo	T = JEEP - 2WD	74 = SPORT UTILITY 4-DR	ERH = ENGINE - 4.0L POWER TECH I-6	DGK = TRANSMISSION - 4-SPD. AUTOMATIC, 42RE
P = Limited	J = JEEP - 4WD		EVA = ENGINE- 4.7L V8 MPI	DGQ = TRANSMISSION-5SPD AUTOMATIC 5-45RFE
				DGO = ALL AUTOMATIC TRANSMISSIONS

AR = use ase required - = Non illustrated part

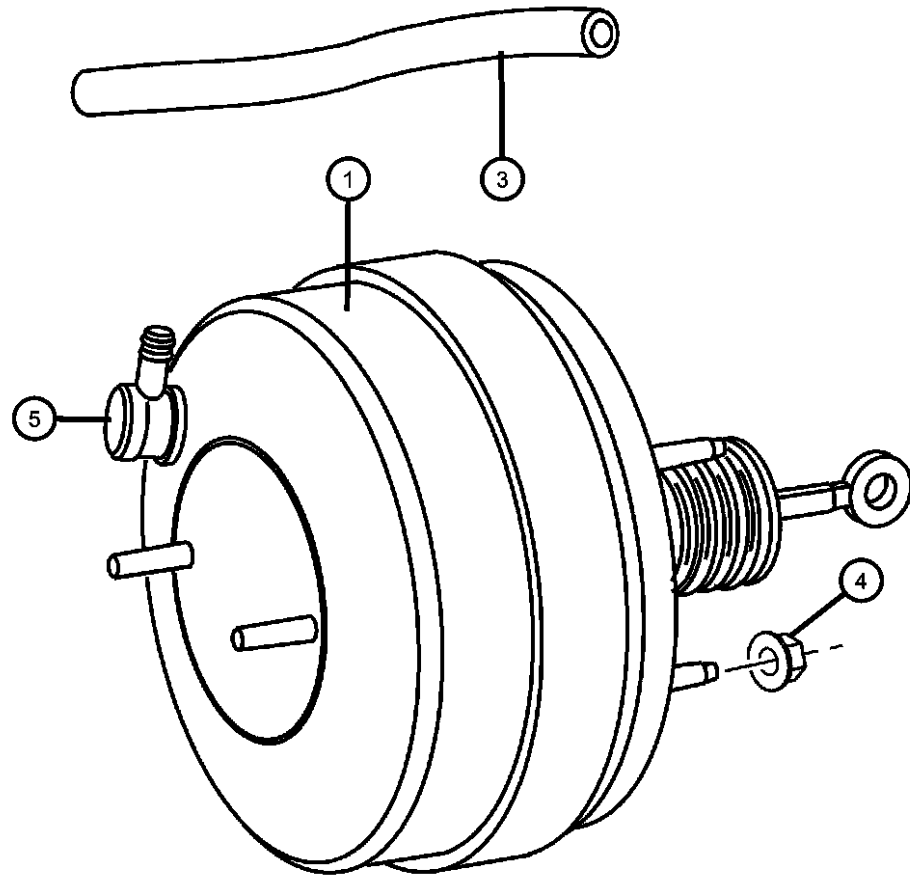
**Power Brake Booster
Figure 5-310**

ITEM	PART NUMBER	QTY	LINE	SERIES	BODY	ENGINE	TRANS	TRIM	DESCRIPTION
------	-------------	-----	------	--------	------	--------	-------	------	-------------

Note:Sales Codes;
[ER0]=Engines - All 4.0L 6 Cylinder Gas
[EV0]=Engines - All 4.7L Gas

1	05011261AB	1							
-2	05012506AA	1							
3									
	52128097	1							
	52128098	1							
4	06100517	4							
5	05011263AA	1							

BOOSTER, Power Brake, Includes item 5
GASKET, Booster to Firewall, Mounting
HOSE, Brake Vacuum
[ER0]
[EV0]
NUT, Hex Flange Lock, Booster to Firewall, Mounting
VALVE, Check, Elbow, With grommet



GRAND CHEROKEE (WJ)

SERIES	LINE
H = Laredo	T = JEEP - 2WD
P = Limited	J = JEEP - 4WD

BODY
74 = SPORT UTILITY 4-DR

ENGINE
ERH = ENGINE - 4.0L POWER TECH I-6
EVA = ENGINE- 4.7L V8 MPI

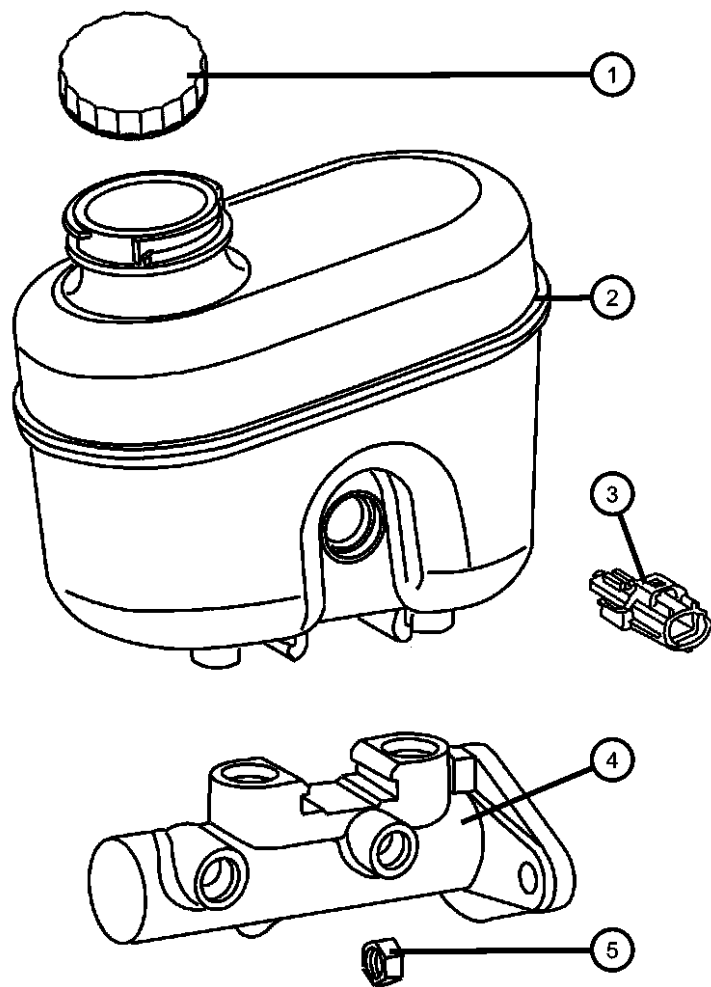
TRANSMISSION
DGK = TRANSMISSION - 4-SPD. AUTOMATIC,42RE
DGQ = TRANSMISSION-5SPD AUTOMATIC 5-45RFE
DGO = ALL AUTOMATIC TRANSMISSIONS

AR = use ase required - = Non illustrated part

2001 WJ

**Master Cylinder, Brake
Figure 5-410**

ITEM	PART NUMBER	QTY	LINE	SERIES	BODY	ENGINE	TRANS	TRIM	DESCRIPTION
1	05014518AA	1							CAP, Master Cylinder Reservoir
2	05011262AA	1							RESERVOIR, Brake Master Cylinder, Includes Items 1,3
3	05013903AA	1							SENSOR, Brake Fluid Level
4	05011260AA	1							MASTER CYLINDER, Brake
5	06101467	2							NUT, Hex Flange, M8x1.25, Master Cylinder to Booster, Mounting



GRAND CHEROKEE (WJ)

SERIES	LINE
H = Laredo	T = JEEP - 2WD
P = Limited	J = JEEP - 4WD

BODY
74 = SPORT UTILITY 4-DR

ENGINE
ERH = ENGINE - 4.0L POWER TECH I-6
EVA = ENGINE- 4.7L V8 MPI

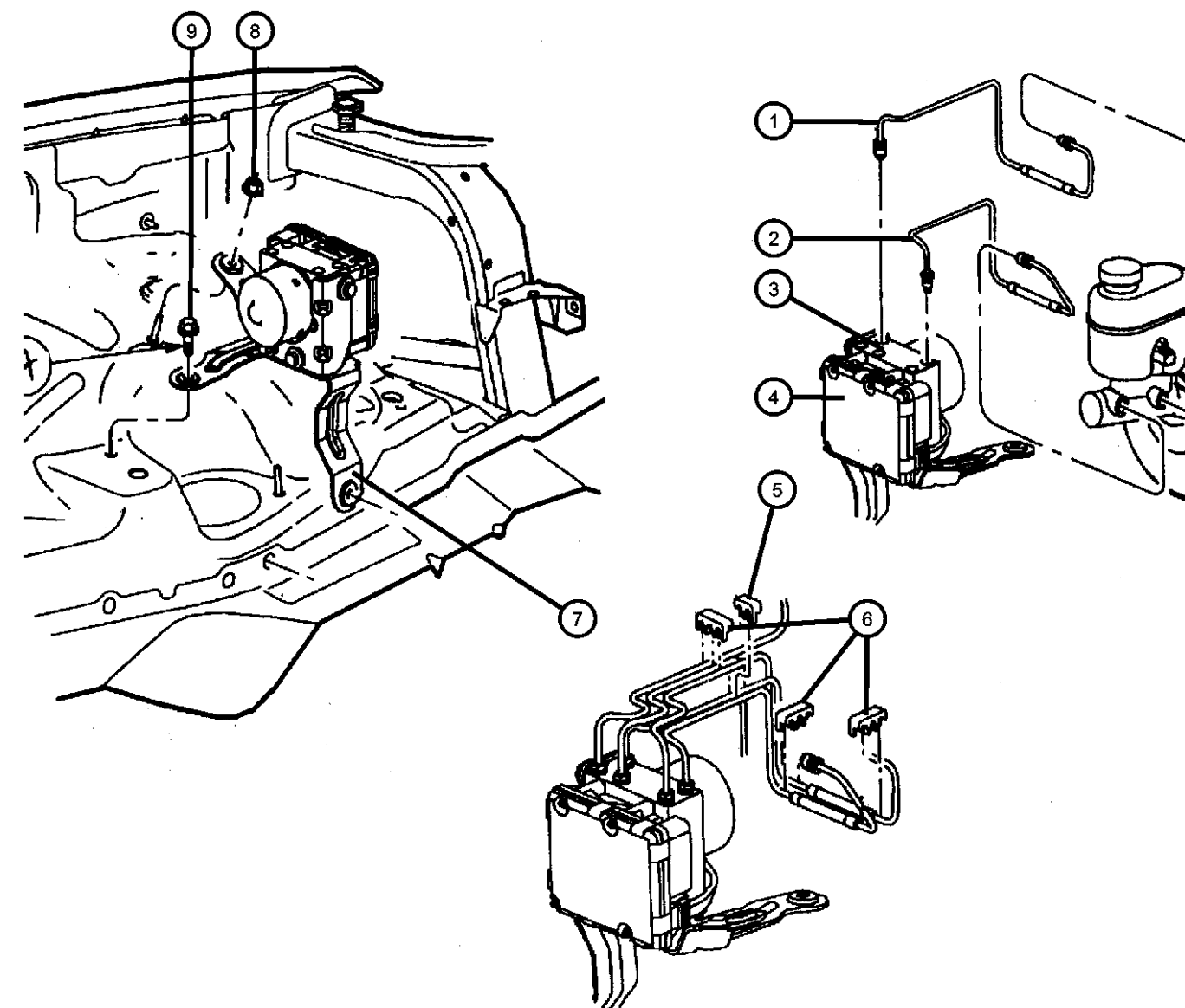
TRANSMISSION
DGK = TRANSMISSION - 4-SPD. AUTOMATIC, 42RE
DGQ = TRANSMISSION-5SPD AUTOMATIC 5-45RFE
DGO = ALL AUTOMATIC TRANSMISSIONS

AR = use ase required - = Non illustrated part

2001 WJ

**Hydraulic Control Unit
Figure 5-420**

ITEM	PART NUMBER	QTY	LINE	SERIES	BODY	ENGINE	TRANS	TRIM	DESCRIPTION
1	52128086	1							HOSE, Brake, Master Cylinder to ICU, Primary
2	52128087	1							HOSE, Brake, Master Cylinder to ICU, Secondary
3	05011259AA	1							CONTROL UNIT, Anti-Lock Brake
4	56041022AH	1							MODULE, Anti-lock Brakes
5	52008940	1							CLIP, Brake Line, 2-Way Brake Tube, Mounting
6	52009163	4							CLIP, Brake Line, 3-Way Brake Tube, Mounting
7	05011257AA	1							BRACKET, Hydraulic Control Unit Mounting
8	34201711	1							NUT, Hex Flange, M8x1.25, ICU Bracket, Mounting
9	06505923AA	2							BOLT, ICU Bracket, Mounting



GRAND CHEROKEE (WJ)

SERIES	LINE	BODY	ENGINE	TRANSMISSION
H = Laredo	T = JEEP - 2WD	74 = SPORT UTILITY 4-DR	ERH = ENGINE - 4.0L POWER TECH I-6	DGK = TRANSMISSION - 4-SPD. AUTOMATIC, 42RE
P = Limited	J = JEEP - 4WD		EVA = ENGINE- 4.7L V8 MPI	DGQ = TRANSMISSION-5SPD AUTOMATIC 5-45RFE
				DGO = ALL AUTOMATIC TRANSMISSIONS

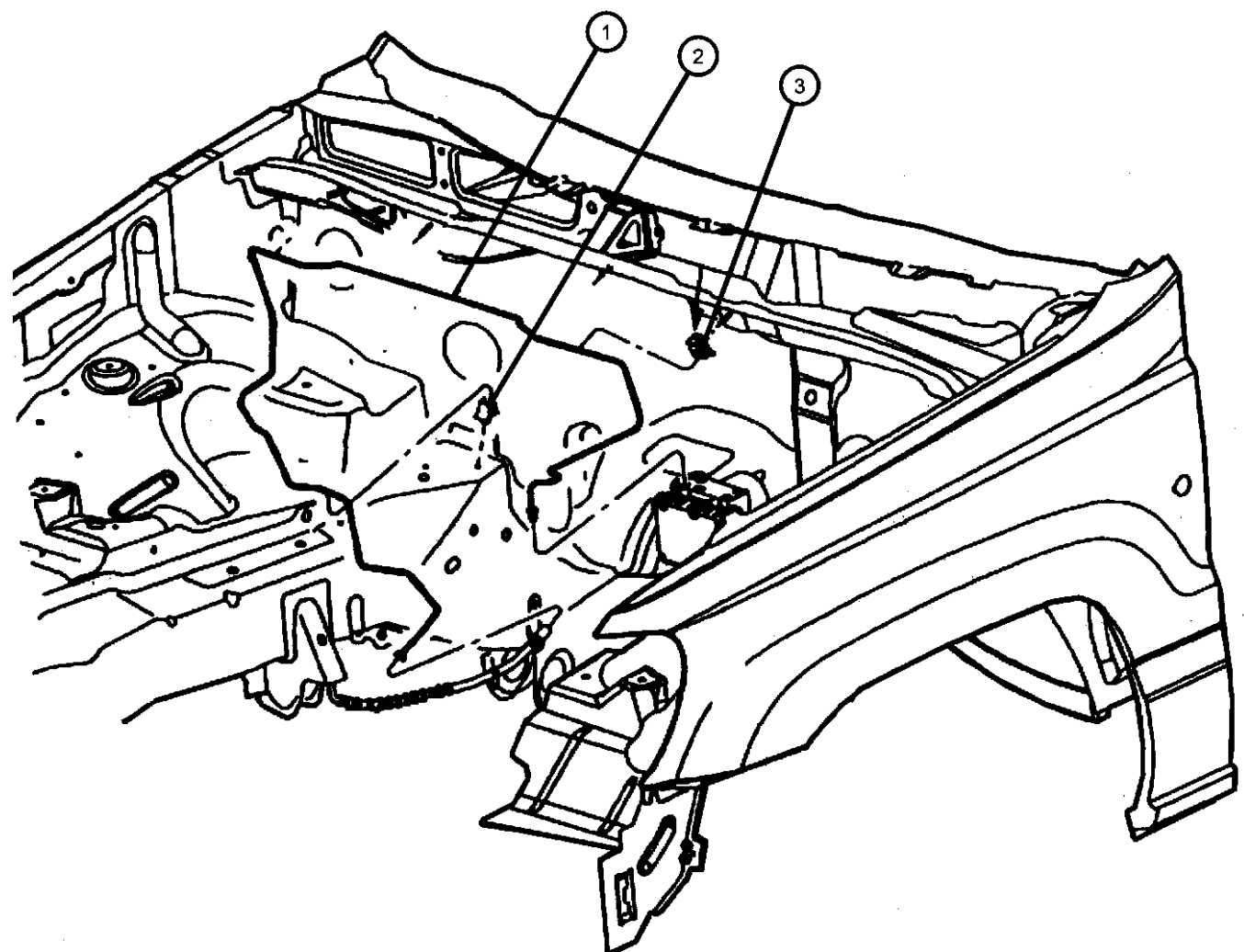
AR = use ase required - = Non illustrated part

**Brake Lines,Front,Right
Figure 5-510**

ITEM	PART NUMBER	QTY	LINE	SERIES	BODY	ENGINE	TRANS	TRIM	DESCRIPTION
------	-------------	-----	------	--------	------	--------	-------	------	-------------

NOTE:
ER0 = All 4.0L 6 Cyl Gas Engines
EV0 = All 4.7L Gas Engines

1	52128366AB	1							TUBE, Brake
2	52009234	3							FASTENER, Push Pin
3	52128214	3							CLIP, Brake Line



GRAND CHEROKEE (WJ)

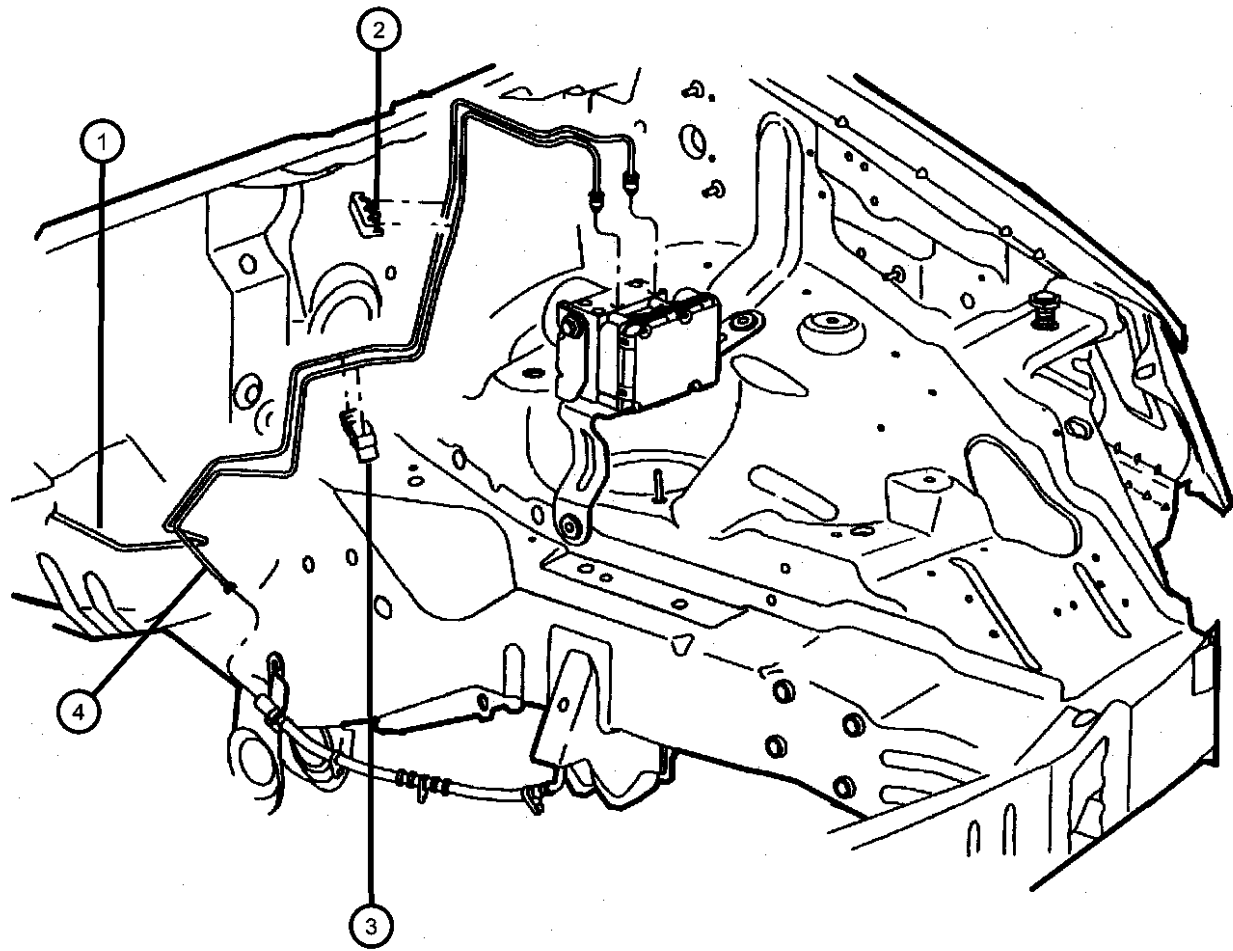
SERIES	LINE	BODY	ENGINE	TRANSMISSION
H = Laredo	T = JEEP - 2WD	74 = SPORT UTILITY 4-DR	ERH = ENGINE - 4.0L POWER TECH I-6	DGK = TRANSMISSION - 4-SPD. AUTOMATIC,42RE
P = Limited	J = JEEP - 4WD		EVA = ENGINE- 4.7L V8 MPI	DGQ = TRANSMISSION-5SPD AUTOMATIC 5-45RFE DGO = ALL AUTOMATIC TRANSMISSIONS

AR = use ase required - = Non illustrated part

2001 WJ

Brakes Lines,Front,Left,and Rear
Figure 5-520

ITEM	PART NUMBER	QTY	LINE	SERIES	BODY	ENGINE	TRANS	TRIM	DESCRIPTION
1	52128074AB	1							TUBE, BrakeRear
2	52009163	4							CLIP, Brake Line
3	52128244AA	1							CLIP, Brake Line
4	52128077AC	1							TUBE, BrakeLeft



GRAND CHEROKEE (WJ)

SERIES	LINE
H = Laredo	T = JEEP - 2WD
P = Limited	J = JEEP - 4WD

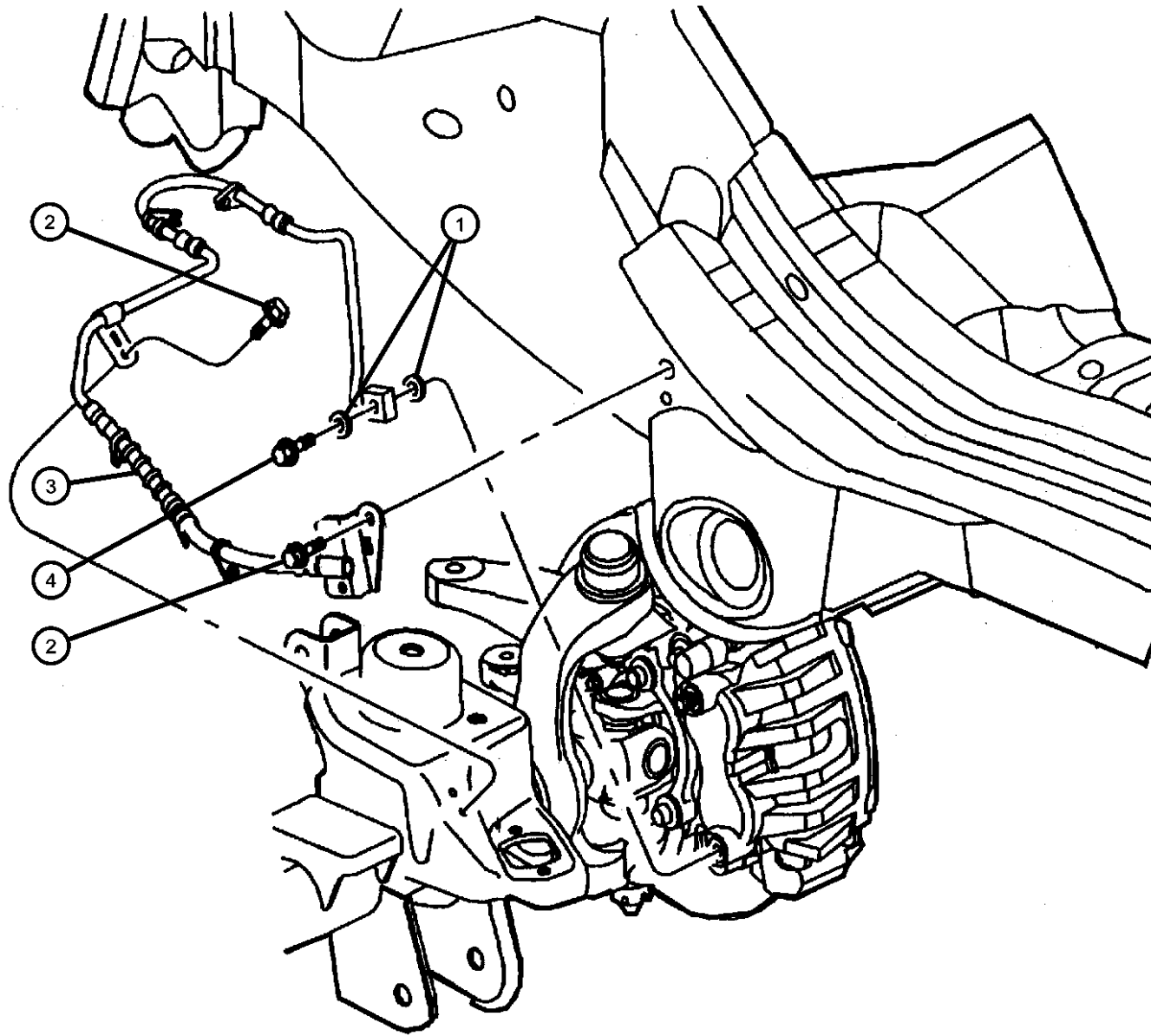
BODY
74 = SPORT UTILITY 4-DR

ENGINE
ERH = ENGINE - 4.0L POWER TECH I-6
EVA = ENGINE- 4.7L V8 MPI

TRANSMISSION
DGK = TRANSMISSION - 4-SPD. AUTOMATIC,42RE
DGQ = TRANSMISSION-5SPD AUTOMATIC 5-45RFE
DGO = ALL AUTOMATIC TRANSMISSIONS

AR = use ase required - = Non illustrated part

Front Brake Hose at Caliper
Figure 5-530



ITEM	PART NUMBER	QTY	LINE	SERIES	BODY	ENGINE	TRANS	TRIM	DESCRIPTION
1	J3237672	8							GASKET, Brake Hose To Caliper
2	J3237672	8							SCREW, Hex Flange Head, M6x1.00x20.00, (NOT SERVICED)
3	52128092AB V1128092AA	1							HOSE, Brake Right Mopar V-Line Alternative Brake Hoses and Tubes
	52128093AB V1128093AA	1							Left Mopar V-Line Alternative Brake Hoses and Tubes
4	J4006700	4							BOLT, Banjo

GRAND CHEROKEE (WJ)

SERIES LINE
H = Laredo T = JEEP - 2WD
P = Limited J = JEEP - 4WD

BODY
74 = SPORT UTILITY 4-DR

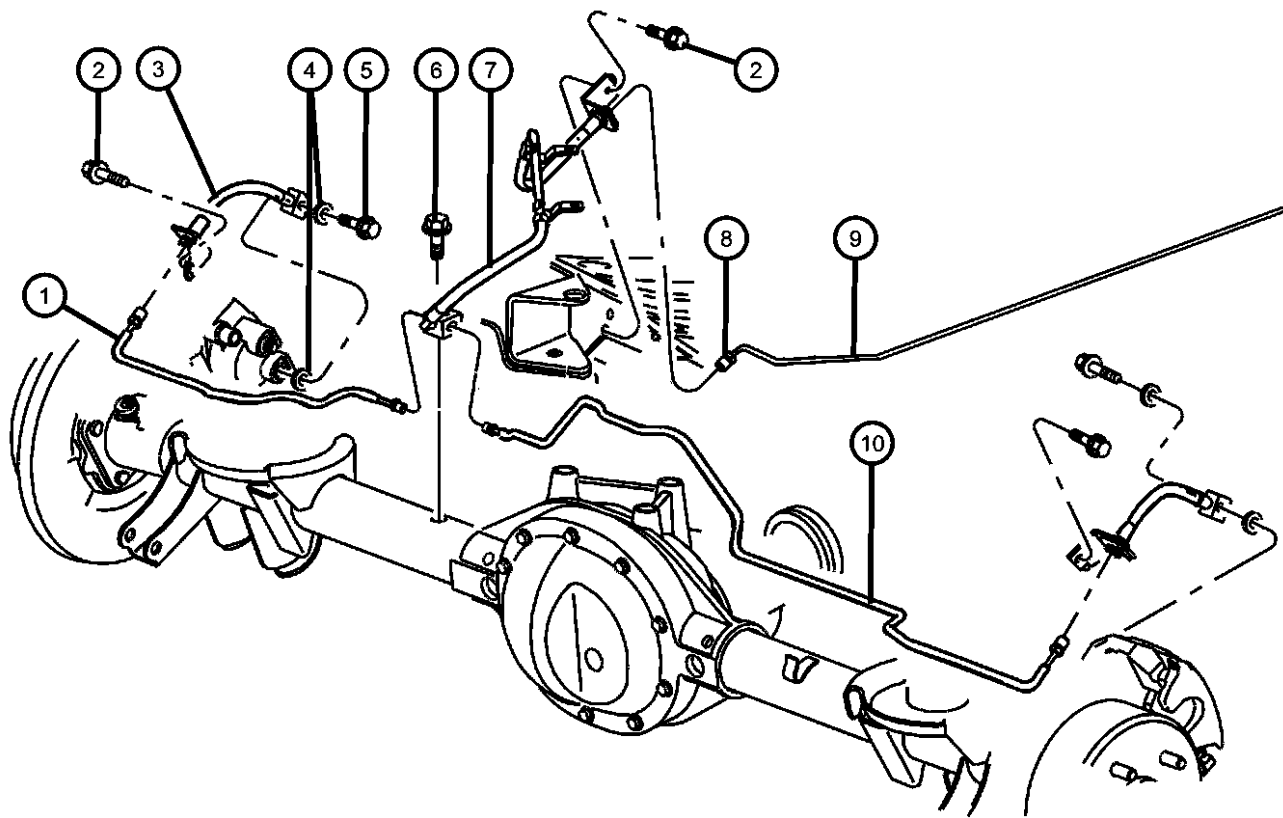
ENGINE
ERH = ENGINE - 4.0L
POWER TECH I-6
EVA = ENGINE- 4.7L V8 MPI

TRANSMISSION
DGK = TRANSMISSION - 4-SPD.
AUTOMATIC, 42RE
DGQ = TRANSMISSION-5SPD
AUTOMATIC 5-45RFE
DGO = ALL AUTOMATIC
TRANSMISSIONS

AR = use ase required - = Non illustrated part

2001 WJ

Rear Brake Lines and Hoses
Figure 5-540



ITEM	PART NUMBER	QTY	LINE	SERIES	BODY	ENGINE	TRANS	TRIM	DESCRIPTION
1	52009353AB	1							TUBE, BrakeLeft
2	52009353AB	1							SCREW, Hex Flange Head, M6x1.00x20.00, Right and Left, (NOT SERVICED)
3									HOSE, Brake
	52128094	1							Right
	52128095	1							Left
4	J3237672	8							GASKET, Brake Hose To CaliperRight & Left
5	J4006700	4							BOLT, BanjoRight & Left
6	04137696	1							SCREW, Brake Tee, .437-20x2.07
7	52128096AB	1							HOSE, Brake, with Tee, Rear
8	06503707	1							NUT, Brake LineRear
9	52128074AB	1							TUBE, BrakeRear
10	52128439AA	1							TUBE, BrakeRight
-11									SENSOR, Wheel Speed
	56041308AA	1							Right
	56041509AA	1							Left

GRAND CHEROKEE (WJ)

SERIES LINE
H = Laredo T = JEEP - 2WD
P = Limited J = JEEP - 4WD

BODY
74 = SPORT UTILITY 4-DR

ENGINE
ERH = ENGINE - 4.0L
POWER TECH I-6
EVA = ENGINE- 4.7L V8 MPI

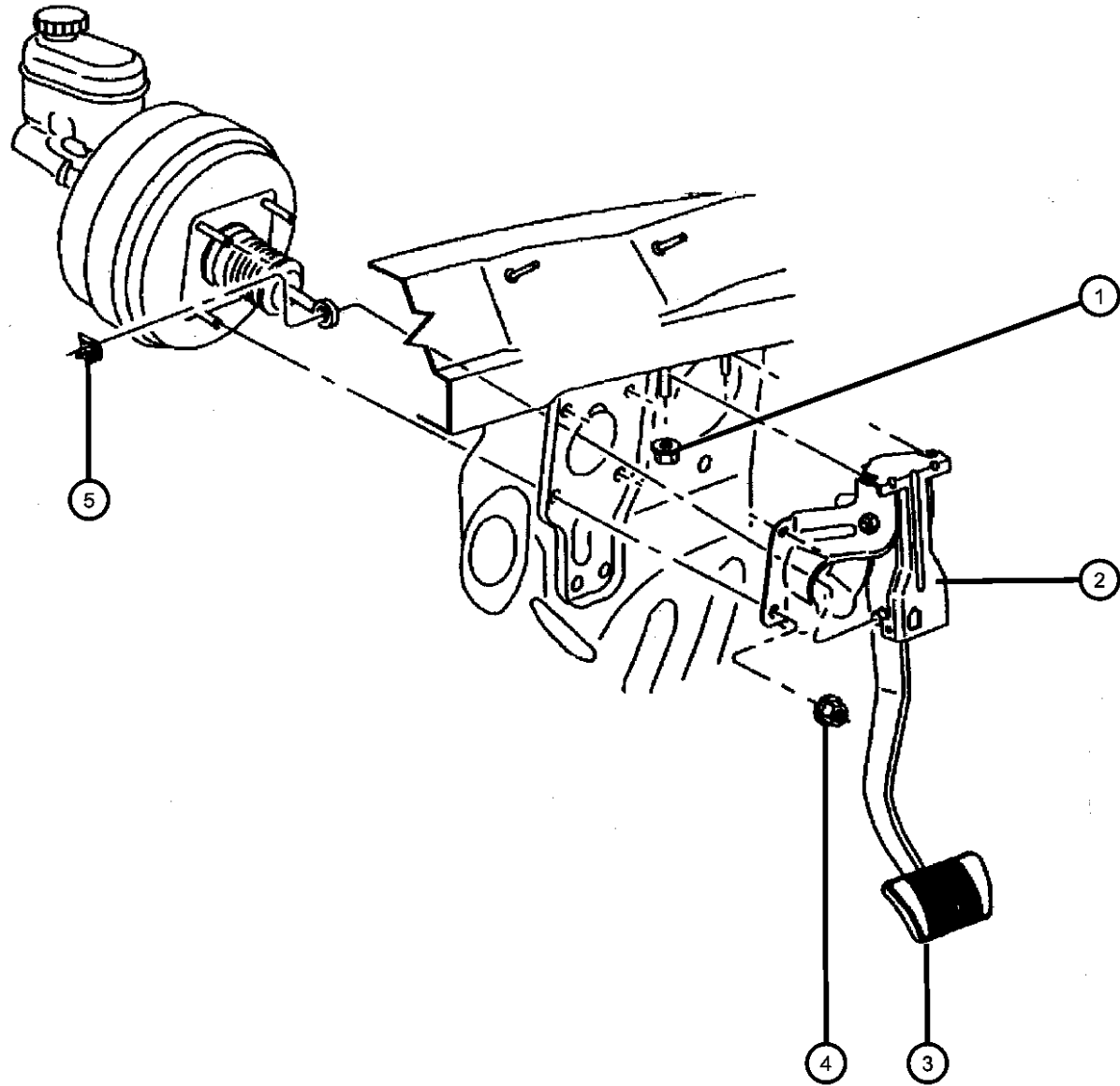
TRANSMISSION
DGK = TRANSMISSION - 4-SPD.
AUTOMATIC, 42RE
DGQ = TRANSMISSION-5SPD
AUTOMATIC 5-45RFE
DGO = ALL AUTOMATIC
TRANSMISSIONS

AR = use ase required - = Non illustrated part

2001 WJ

Brake Pedal & Bracket
Figure 5-610

ITEM	PART NUMBER	QTY	LINE	SERIES	BODY	ENGINE	TRANS	TRIM	DESCRIPTION
1	06100517	2							NUT, Hex Lock, M8x1.25
2	52128148AD	1							PEDAL, Brake
3	05102023AB	1							PAD, Pedal
4	06100517	4							NUT, Hex Lock, M8x1.25, Booster Mounting
5	06035334	1							CLIP, Brake Push Rod



GRAND CHEROKEE (WJ)

SERIES LINE
H = Laredo T = JEEP - 2WD
P = Limited J = JEEP - 4WD

BODY
74 = SPORT UTILITY 4-DR

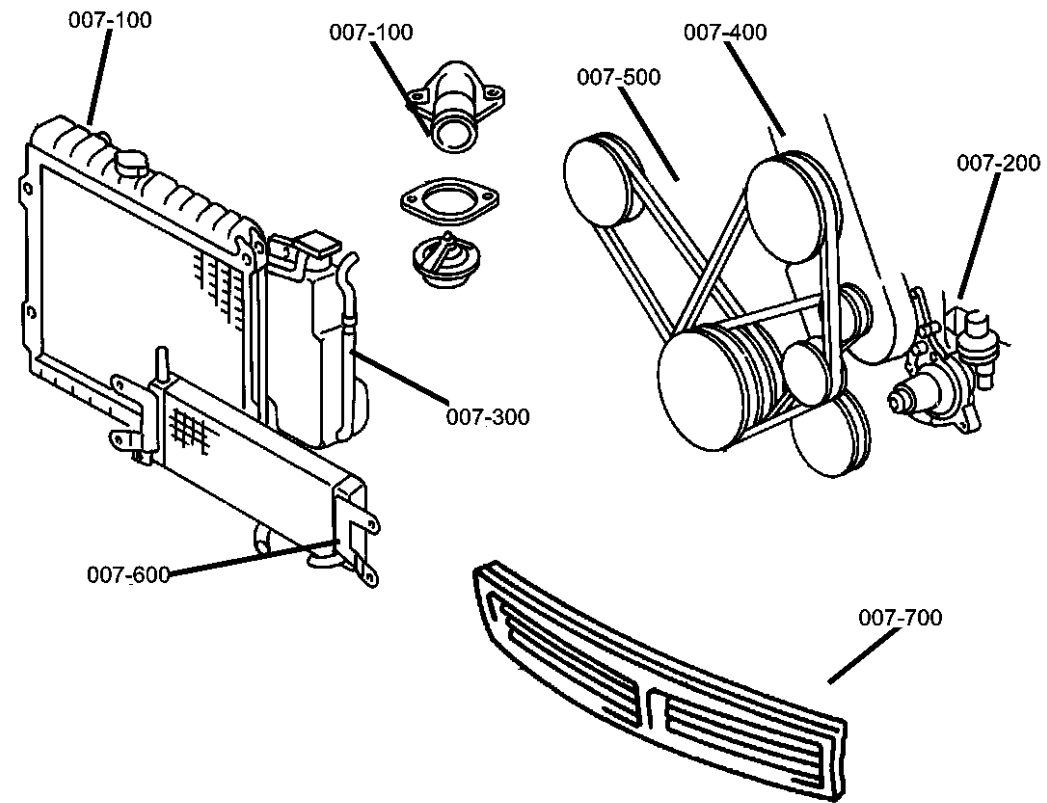
ENGINE
ERH = ENGINE - 4.0L
POWER TECH I-6
EVA = ENGINE- 4.7L V8 MPI

TRANSMISSION
DGK = TRANSMISSION - 4-SPD.
AUTOMATIC, 42RE
DGQ = TRANSMISSION-5SPD
AUTOMATIC 5-45RFE
DGO = ALL AUTOMATIC
TRANSMISSIONS

AR = use ase required - = Non illustrated part

Group - 7

Cooling



Group - 7 Cooling

Illustration Title

Group-Fig. No.

Radiator and Related Parts

Radiator and Related Parts 4.0L Engine	Fig. 7 - 150
Radiator and Related Parts 4.7L Engine	Fig. 7 - 160
Radiator Upper Support	Fig. 7 - 170

Water Pump and Related Parts

Water Pump and Related Parts 4.0L Engine	Fig. 7 - 210
Water Pump and Related Parts 4.7L Engine	Fig. 7 - 220

Tank, Coolant Engine

Coolant Tank, 4.0,4.7L Engine	Fig. 7 - 310
-------------------------------------	--------------

Pulleys and Related Parts

Drive Pulleys 4.0L Engine	Fig. 7 - 420
Drive Pulleys 4.7L Engine	Fig. 7 - 430

Drive Belts

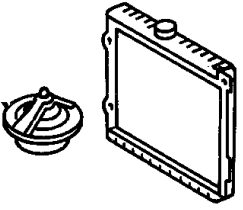
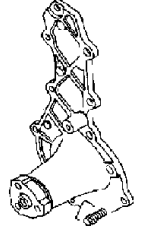
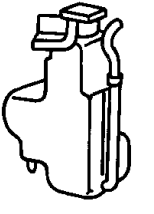
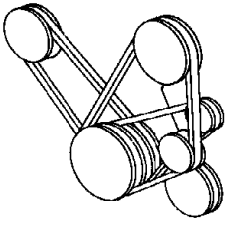
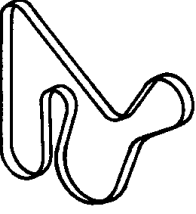
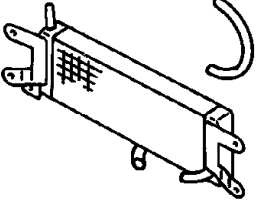
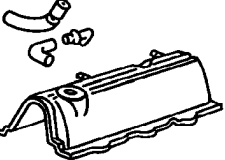
Drive Belts 4.0L and 4.7L Engines	Fig. 7 - 520
---	--------------

Lines, Transmission Oil Cooler

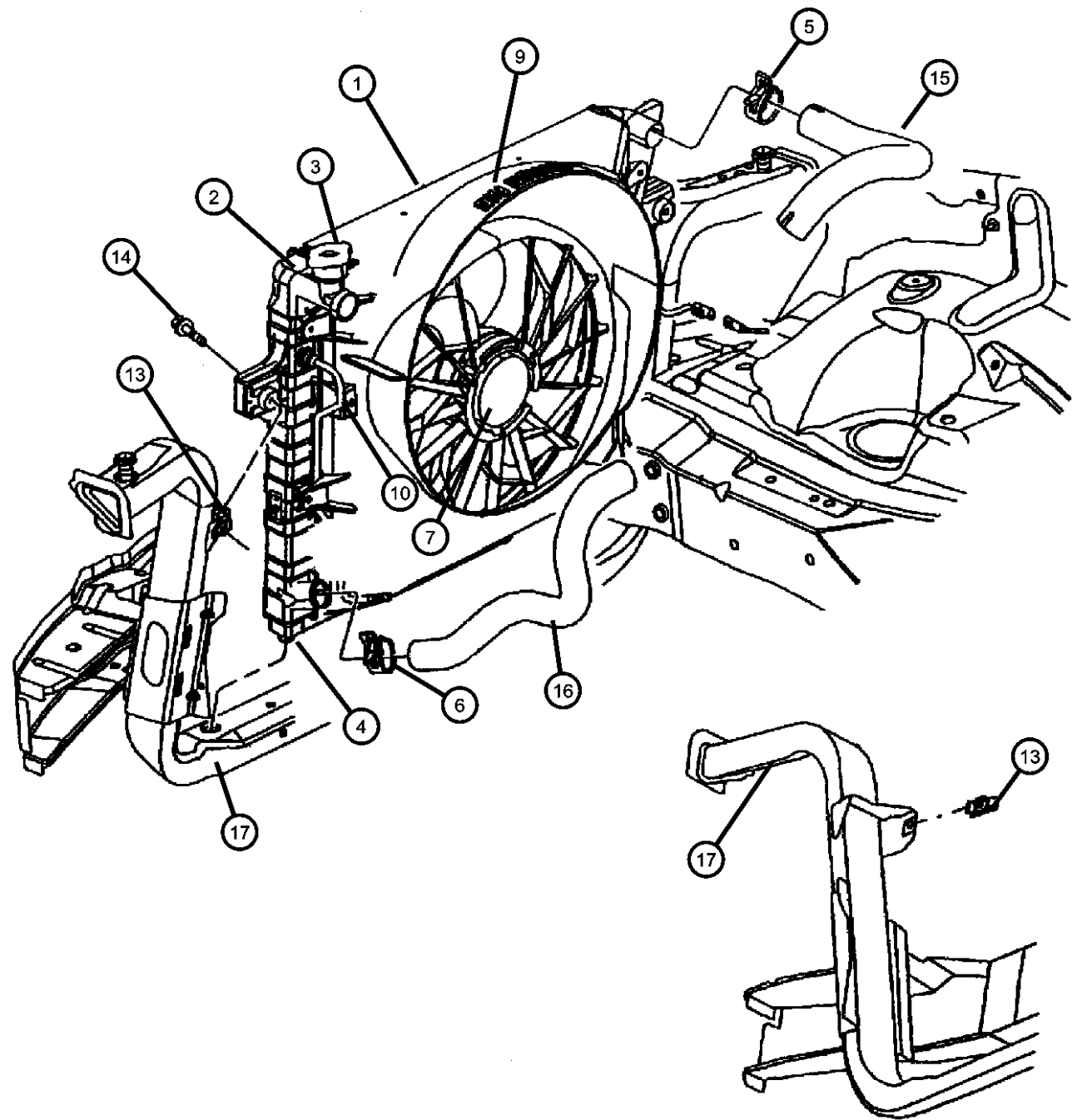
Oil Cooler and Lines 4.0L Engines	Fig. 7 - 610
Oil Cooler and Lines 4.7L Engine	Fig. 7 - 620

Grilles

Grille and Related Parts	Fig. 7 - 720
--------------------------------	--------------

<p>007-100 Radiator and Related Parts</p> 	<p>007-200 Water Pump and Related Parts</p> 	<p>007-300 Tank, Coolant Engine</p> 	<p>007-400 Pulleys and Related Parts</p> 
<p>007-500 Drive Belts</p> 	<p>007-600 Lines, Transmission Oil Cooler</p> 	<p>007-700 Grilles</p> 	

**Radiator and Related Parts 4.0L Engine
Figure 7-150**



ITEM	PART NUMBER	QTY	LINE	SERIES	BODY	ENGINE	TRANS	TRIM	DESCRIPTION
Note: Sales Code ER0 = 4.0L Engine									
Note: Sales Code DG0 = All Auto Trans									
1	55115918AB	1				ER0	DG0		CONDENSER, Air Conditioning
2	52079428AB	1				ER0	DG0		RADIATOR, Engine Cooling
3	52079799AA	1				ER0	DG0		CAP, Radiator
4									ISOLATOR, Radiator
	52079418	2				ER0	DG0		Right
	52079419	2				ER0	DG0		Left
5	52005580	1				ER0, EV0			CLAMP, HOSE, 50X15
6	52005580	1				ER0, EV0			CLAMP, HOSE, 50X15
7									FAN, Cooling
	52079528AB	1				ER0	DG0		Electric Drive
	52079984AA	1				ER0			Manual Drive
-8	52079443	1				ER0			VISCOUS CLUTCH, Fan Drive
9	52079489AB	1				ER0	DG0		SHROUD, Fan
10									TUBE, Oil Cooler
	52079432AB	1				ER0	DG0		Pressure
	52079753AB	1				ER0	DG0		Return
-11	52079430	1				ER0	DG0		SEAL, Radiator Condenser
-12									SEAL, Radiator
	55115922	1				ER0	DG0		Right
	55115923	1				ER0	DG0		Left
13	06505172AA	4				ER0	DG0		U-NUT, M6x1.00
14	06102117AA	4				ER0	DG0		SCREW AND WASHER, Hex Head, M6x1x20
15	52079406AC	1				ER0			HOSE, Radiator Inlet
16	52079401AB	1				ER0			HOSE, Radiator Outlet
17	55135870	1							CROSSMEMBER, Radiator
-18	53020547AB	1				ER0			GASKET, Thermostat
-19	53006192	1				ER0			HOUSING, Thermostat
-20	52028186	1				ER0			THERMOSTAT, 195 Degrees

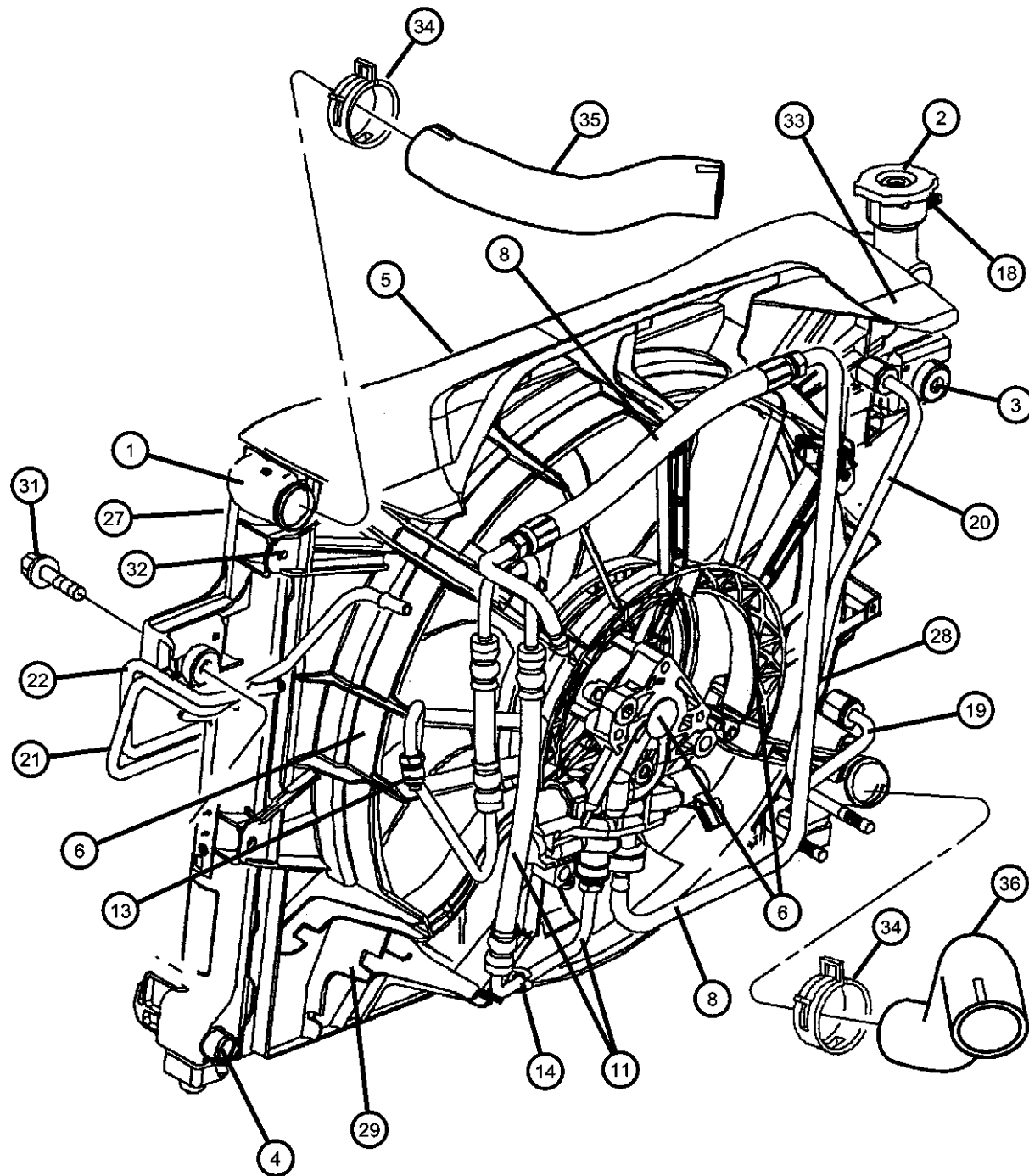
GRAND CHEROKEE (WJ)

SERIES	LINE	BODY	ENGINE	TRANSMISSION
H = Laredo	T = JEEP - 2WD	74 = SPORT UTILITY 4-DR	ERH = ENGINE - 4.0L POWER TECH I-6	DGK = TRANSMISSION - 4-SPD. AUTOMATIC, 42RE
P = Limited	J = JEEP - 4WD		EVA = ENGINE- 4.7L V8 MPI	DGQ = TRANSMISSION-5SPD AUTOMATIC 5-45RFE DGO = ALL AUTOMATIC TRANSMISSIONS

AR = use ase required - = Non illustrated part

2001 WJ

**Radiator and Related Parts 4.7L Engine
Figure 7-160**



Note:

[ER0] = All 4.0L Engines

[EV0] = All 4.7L Engine

[DG4] = Multi - Speed Auto Trans.

ITEM	PART NUMBER	QTY	LINE	SERIES	BODY	ENGINE	TRANS	TRIM	DESCRIPTION
1	52079883AB	1				EV0			RADIATOR, Engine Cooling
2	52079778AA	1				EV0			CAP, Radiator
3									ISOLATOR, Radiator
	52079419	2				EV0			Upper
	52079884AA	2				EV0			Sides
4	52028466	1				EV0			DRAINCOCK, Radiator
5	55115918AB	1				EV0			CONDENSER, Air Conditioning
6	52079860AA	1				EV0			SHROUD, Fan, Contains: Fan, Motor and Shroud
-7	05102210AA	1				EV0			SOLENOID, Hydraulic Fan Control
8	05019708AB	1				EV0			HOSE PACKAGE, Hydraulic Fan
-9	52088914AA	1				EV0			FITTING, Quick Disconnect
-10	05019705AA	1				EV0			O RING
11	52089505AB	1				EV0			HOSE, Power Steering Pressure
-12	52089505AB	1							NUT, M16x1.5, (NOT SERVICED)
13	05205254	2				EV0			O RING, Power Steering Hose
14	52079929AB	2				EV0			CLIP, Line
-15	52080135AA	1				EV0			HARNESS, Jumper
-16	52079632AA	1				EV0			CLAMP, Oil Cooler Tube
-17	04026139	1				EV0			HOSE, Oil Cooler
18	04026139	1							HOSE, Drain, (NOT SERVICED)
19	52079861AA	1				EV0			TUBE, Oil Cooler, Cooling, Pressure
20	52079862AA	1				EV0			TUBE, Oil Cooler, Cooling, Return
21	52079892AB	1				EV0			TUBE, Oil Cooler, Power Steering, Pressure
22	52079893AB	1				EV0			TUBE, Oil Cooler, Power Steering, Return
-23	52079948AA	1				EV0			COOLER, Power Steering
-24	52079414AB	AR				EV0			COOLER, Auxiliary Oil
-25	06035358	1				EV0			CLIP, Oil Cooler Tube
-26	04546594	1				EV0			SLEEVE, Braided Expandable
27	52079886AA	1				EV0			SEAL, Radiator Condenser

GRAND CHEROKEE (WJ)

SERIES LINE
H = Laredo T = JEEP - 2WD
P = Limited J = JEEP - 4WD

BODY
74 = SPORT UTILITY 4-DR

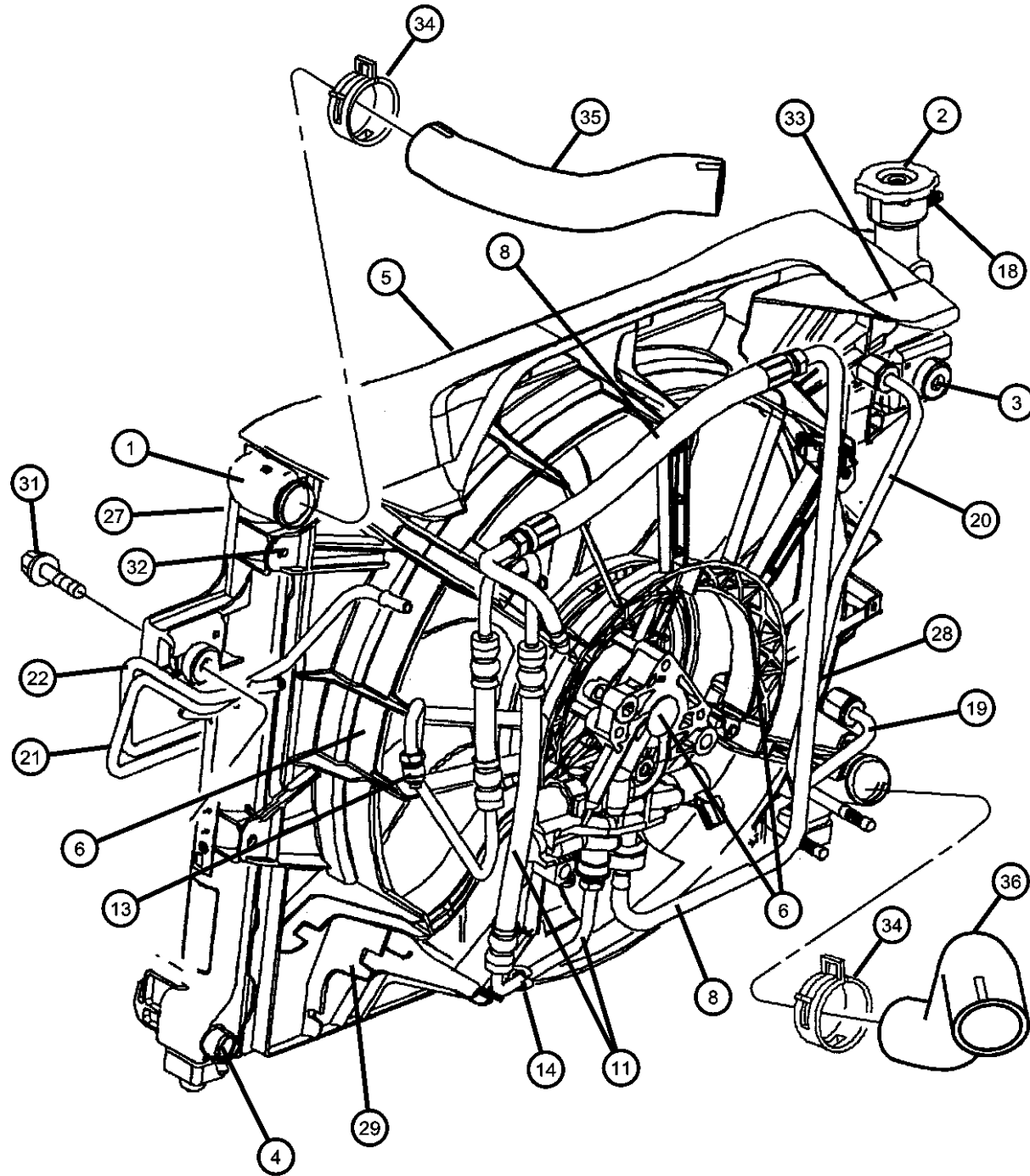
ENGINE
ERH = ENGINE - 4.0L
POWER TECH I-6
EVA = ENGINE- 4.7L V8 MPI

TRANSMISSION
DGK = TRANSMISSION - 4-SPD.
AUTOMATIC, 42RE
DQG = TRANSMISSION-5SPD
AUTOMATIC 5-45RFE
DGO = ALL AUTOMATIC
TRANSMISSIONS

AR = use ase required - = Non illustrated part

2001 WJ

Radiator and Related Parts 4.7L Engine
Figure 7-160



ITEM	PART NUMBER	QTY	LINE	SERIES	BODY	ENGINE	TRANS	TRIM	DESCRIPTION
28	52079887AA	1				EVO			SEAL, RadiatorLeft
29	52079888AA	1				EVO			SEAL, RadiatorRight
-30	06505172AA	4				EVO			U-NUT, M6x1.00
31	06102117AA	4				EVO			SCREW AND WASHER, Hex Head, M6x1x20
32	J4004262	4				EVO			PIN, Push, .15x.41
33	53030960	1				EVO			LABEL, Belt Routing
34	52005580	1				ER0, EVO			CLAMP, Hose to Radiator
35	52079872AA	1				EVO			HOSE, Radiator Inlet
36	52079873AA	1				EVO			HOSE, Radiator Outlet
-37									BRACKET, Radiator
	55136170	1							Right
	55136171	1							Left

GRAND CHEROKEE (WJ)

SERIES LINE
H = Laredo T = JEEP - 2WD
P = Limited J = JEEP - 4WD

BODY
74 = SPORT UTILITY 4-DR

ENGINE
ERH = ENGINE - 4.0L
POWER TECH I-6
EVA = ENGINE- 4.7L V8 MPI

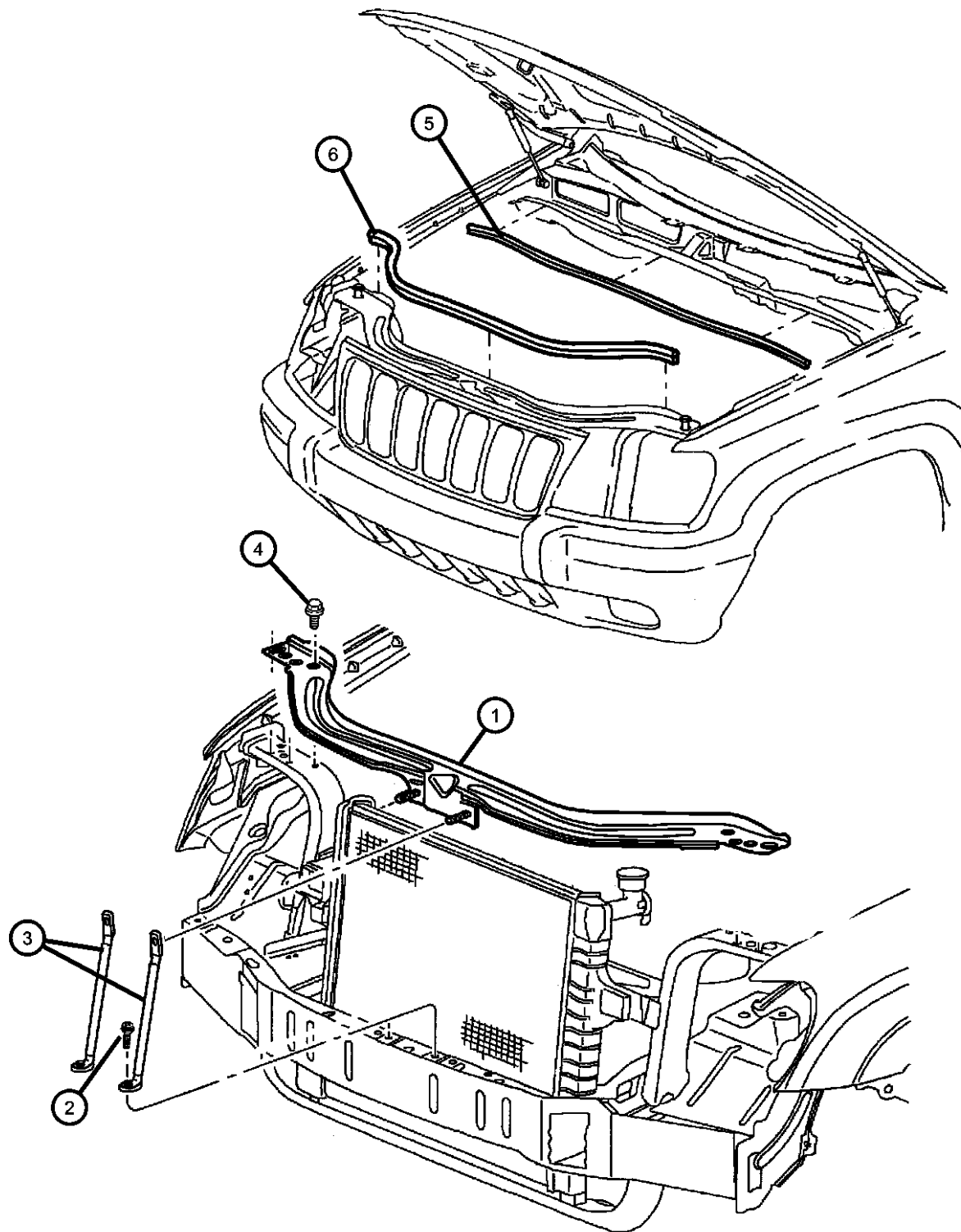
TRANSMISSION
DGK = TRANSMISSION - 4-SPD.
AUTOMATIC, 42RE
DGQ = TRANSMISSION-5SPD
AUTOMATIC 5-45RFE
DGO = ALL AUTOMATIC
TRANSMISSIONS

AR = use ase required - = Non illustrated part

2001 WJ

**Radiator Upper Support
Figure 7-170**

ITEM	PART NUMBER	QTY	LINE	SERIES	BODY	ENGINE	TRANS	TRIM	DESCRIPTION
1	52079416	1							CROSSMEMBER, Radiator
2	06503267	2							SCREW, Round Head, M6x1x25
3	55136273	2							BRACE, Radiator Crossmember
4	06505814AA	4							SCREW, M8x1.25x20
5	55135392AB	1							SEAL, Hood To Plenum
6	55135398AB	1							SEAL, Hood



GRAND CHEROKEE (WJ)

SERIES	LINE
H = Laredo	T = JEEP - 2WD
P = Limited	J = JEEP - 4WD

BODY
74 = SPORT UTILITY 4-DR

ENGINE
ERH = ENGINE - 4.0L POWER TECH I-6
EVA = ENGINE- 4.7L V8 MPI

TRANSMISSION
DGK = TRANSMISSION - 4-SPD. AUTOMATIC, 42RE
DGQ = TRANSMISSION-5SPD AUTOMATIC 5-45RFE
DGO = ALL AUTOMATIC TRANSMISSIONS

AR = use ase required - = Non illustrated part

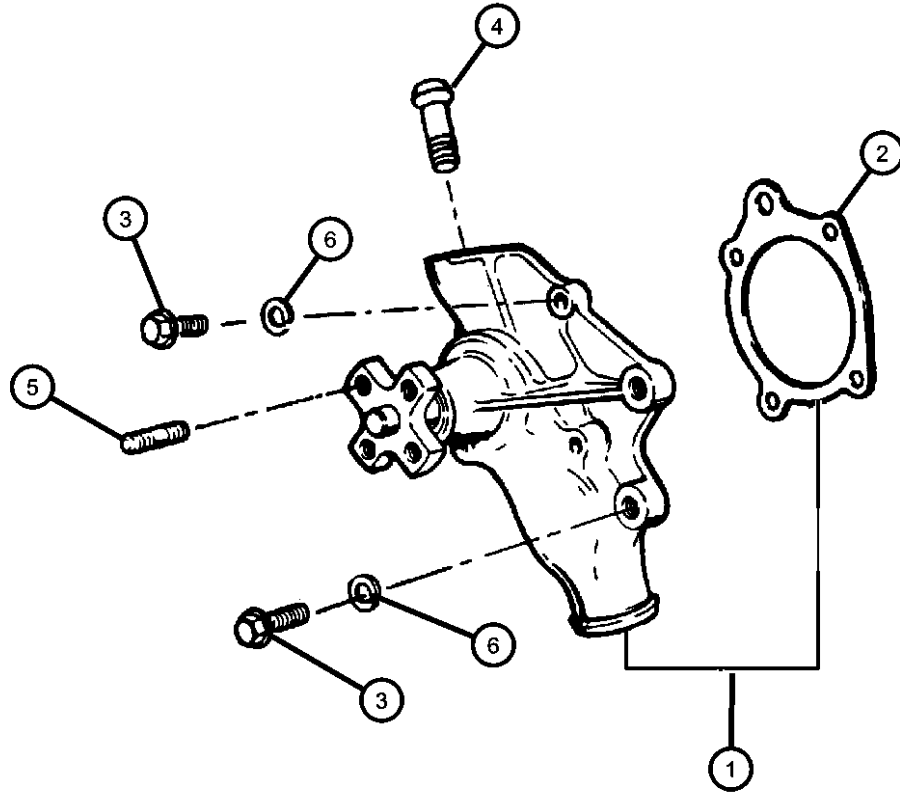
2001 WJ

**Water Pump and Related Parts 4.0L Engine
Figure 7-210**

ITEM	PART NUMBER	QTY	LINE	SERIES	BODY	ENGINE	TRANS	TRIM	DESCRIPTION
------	-------------	-----	------	--------	------	--------	-------	------	-------------

Note: Sales Code ER0 = 4.0L Engine

1	05012366AA	1				ER0			PUMP PACKAGE, Water
2	53010419	1				ER0			GASKET, Water Pump
3	53010419	1							SCREW AND WASHER, Hex Head, .312-18x1.75, (NOT SERVICED)
4	53007978	1				ER0			TUBE, Water Pump Heater Return
5	53007978	1							STUD, .312-18/.312-24x1.250, (NOT SERVICED)
6	05013014AA	1	J			ER0			WASHER



GRAND CHEROKEE (WJ)

SERIES	LINE
H = Laredo	T = JEEP - 2WD
P = Limited	J = JEEP - 4WD

BODY
74 = SPORT UTILITY 4-DR

ENGINE
ERH = ENGINE - 4.0L POWER TECH I-6
EVA = ENGINE- 4.7L V8 MPI

TRANSMISSION
DGK = TRANSMISSION - 4-SPD. AUTOMATIC, 42RE
DGQ = TRANSMISSION-5SPD AUTOMATIC 5-45RFE
DGO = ALL AUTOMATIC TRANSMISSIONS

AR = use ase required - = Non illustrated part

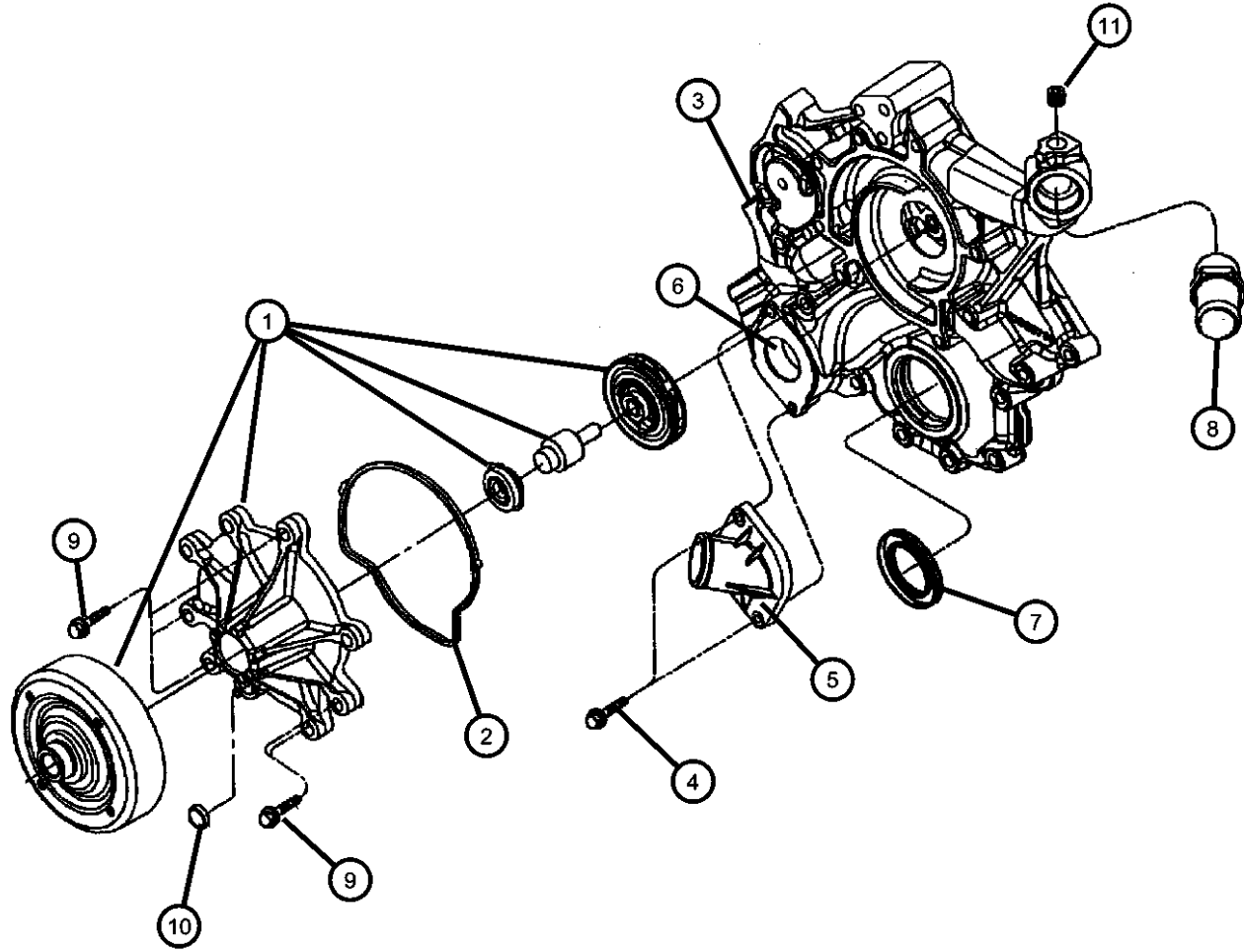
2001 WJ

**Water Pump and Related Parts 4.7L Engine
Figure 7-220**

ITEM	PART NUMBER	QTY	LINE	SERIES	BODY	ENGINE	TRANS	TRIM	DESCRIPTION
------	-------------	-----	------	--------	------	--------	-------	------	-------------

Note: Sales Code EV0 = 4.7L Engine

1	53020873AC	1				EV0			PUMP, Water
2	53020865	1				EV0			GASKET, Water Pump
3	06035854	2				EV0			FITTING, Y-Style
4	06505502AA	2				EV0			SCREW
5	53020887AB	1				EV0			HOUSING, Thermostat
6	52079476AB	1				EV0			THERMOSTAT, with Seal
7	53020790	1				EV0			SEAL, Crankshaft Oil, Front
8	06035961AA	1				EV0			PIPE FITTING, Chain Case Cover, .375-18x2
9	06035961AA	1							SCREW, M6x1x25, (NOT SERVICED)
10	06035961AA	1							PLUG, (NOT SERVICED)
11	06035961AA	1							PLUG, (NOT SERVICED)



GRAND CHEROKEE (WJ)

SERIES LINE
H = Laredo T = JEEP - 2WD
P = Limited J = JEEP - 4WD

BODY
74 = SPORT UTILITY 4-DR

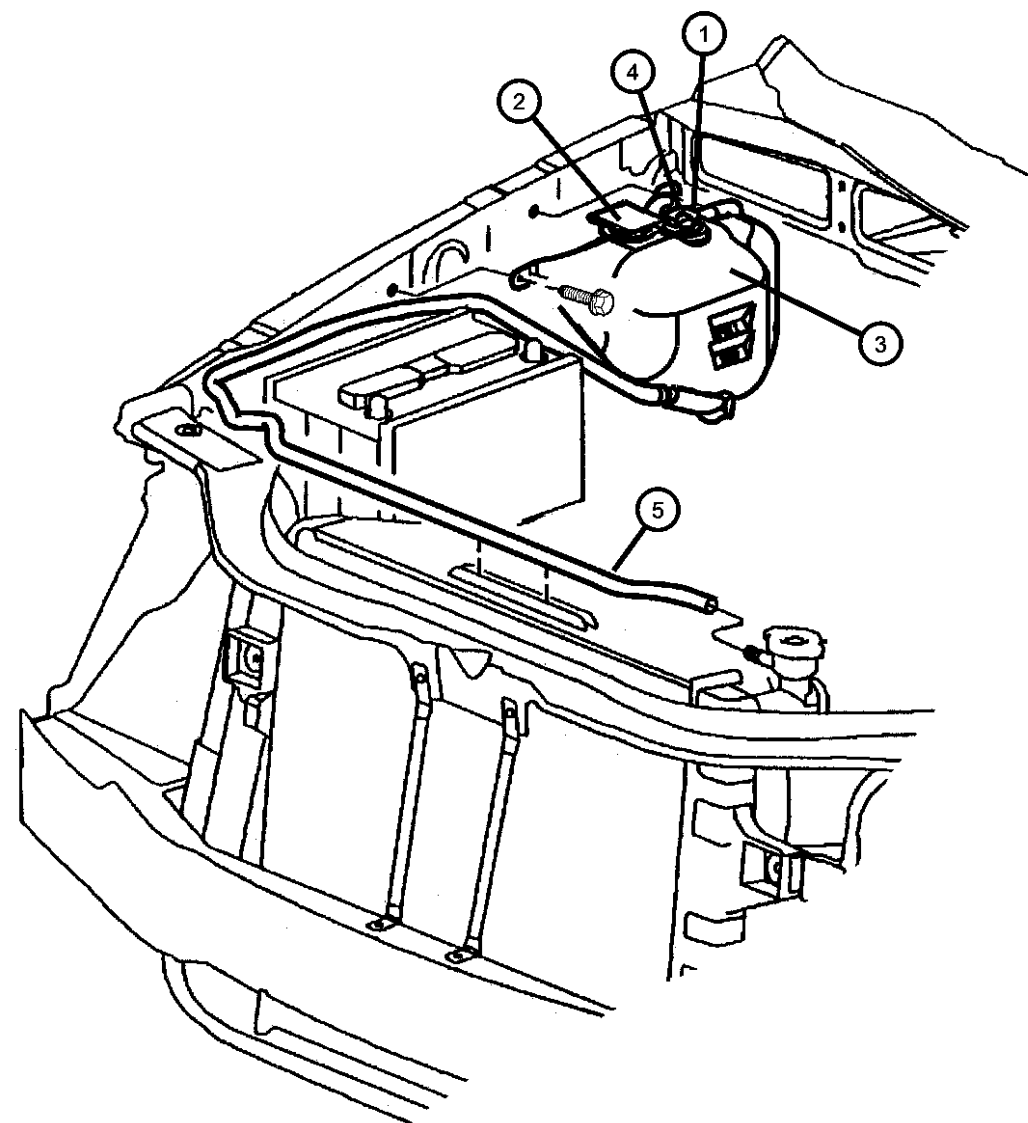
ENGINE
ERH = ENGINE - 4.0L
POWER TECH I-6
EVA = ENGINE- 4.7L V8 MPI

TRANSMISSION
DGK = TRANSMISSION - 4-SPD.
AUTOMATIC, 42RE
DGQ = TRANSMISSION-5SPD
AUTOMATIC 5-45RFE
DGO = ALL AUTOMATIC
TRANSMISSIONS

AR = use ase required - = Non illustrated part

2001 WJ

**Coolant Tank, 4.0,4.7L Engine
Figure 7-310**



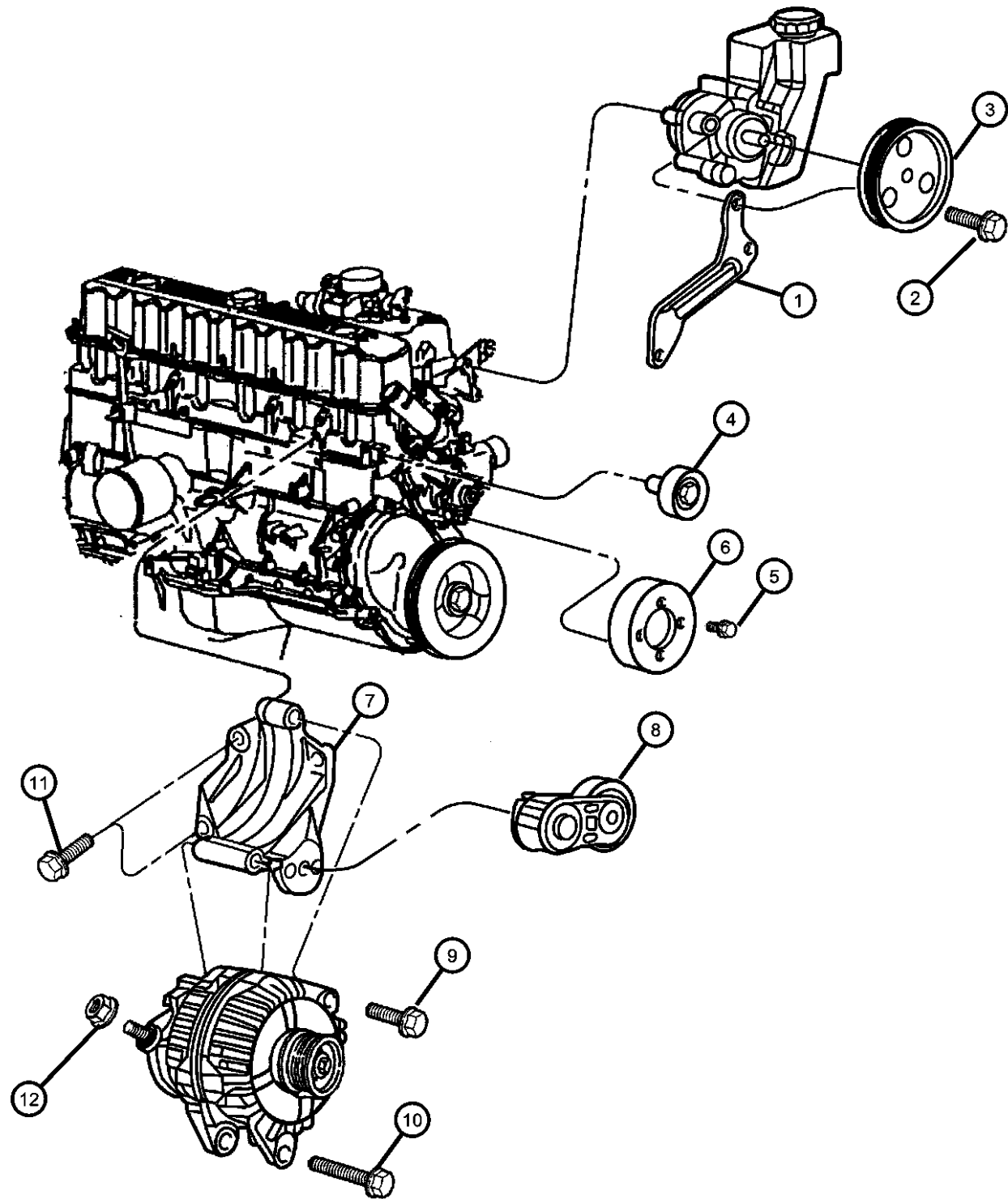
ITEM	PART NUMBER	QTY	LINE	SERIES	BODY	ENGINE	TRANS	TRIM	DESCRIPTION
Note: Sales Code ER0 = 4.0L Engine Note: Sales Code EV0 = 4.7L Engine									
1									GROMMET
	52028254	1				ER0			Sensor Mtg
		1				EV0			
2									CAP, Coolant Reserve Tank
	52079331	1				ER0			
		1				EV0			
3									BOTTLE, Coolant Recovery
	52079461AB	1				EV0			
		1				ER0			
4									SENSOR, Coolant Level
	52079468	1				ER0			
		1				EV0			
5									HOSE, Coolant Reserve Tank
	04026148	1				EV0			
		1				ER0			

GRAND CHEROKEE (WJ)

SERIES	LINE	BODY	ENGINE	TRANSMISSION
H = Laredo	T = JEEP - 2WD	74 = SPORT UTILITY 4-DR	ERH = ENGINE - 4.0L POWER TECH I-6	DGK = TRANSMISSION - 4-SPD. AUTOMATIC, 42RE
P = Limited	J = JEEP - 4WD		EVA = ENGINE- 4.7L V8 MPI	DGQ = TRANSMISSION-5SPD AUTOMATIC 5-45RFE DGO = ALL AUTOMATIC TRANSMISSIONS

AR = use ase required - = Non illustrated part

Drive Pulleys 4.0L Engine
Figure 7-420



ITEM	PART NUMBER	QTY	LINE	SERIES	BODY	ENGINE	TRANS	TRIM	DESCRIPTION
------	-------------	-----	------	--------	------	--------	-------	------	-------------

Note: Sales Code
ER0 = All 4.0L Engines
EVO = All 4.7L Engines

1	04854157	1				ER0			BRACE, Power Steering Pump
2	06502425	3				ER0			SCREW AND WASHER, Hex Head, M8x1.25x95
3	53010258AB	1				ER0, EVO			PULLEY, Power Steering Pump
4	04854092	1				ER0			PULLEY, Idler
5	06034860	4				ER0			BOLT AND WASHER, Implement Attaching
6	04854032	1				ER0			PULLEY, Water Pump
7	04854026	1				ER0			BRACKET, Alternator
8	04854089	1				ER0			TENSIONER, Alternator Belt
9	06505488AA	1				ER0			SCREW AND WASHER, Hex
10	06504344	1				ER0			SCREW AND WASHER, Hex Head
11	00154854AA	4				ER0			SCREW AND WASHER, Hex
12	00154854AA	4							NUT, M8x1.25, (NOT SERVICED)

GRAND CHEROKEE (WJ)

SERIES LINE
H = Laredo T = JEEP - 2WD
P = Limited J = JEEP - 4WD

BODY
74 = SPORT UTILITY 4-DR

ENGINE
ERH = ENGINE - 4.0L
POWER TECH I-6
EVA = ENGINE- 4.7L V8 MPI

TRANSMISSION
DGK = TRANSMISSION - 4-SPD.
AUTOMATIC, 42RE
DGQ = TRANSMISSION-5SPD
AUTOMATIC 5-45RFE
DGO = ALL AUTOMATIC
TRANSMISSIONS

AR = use ase required - = Non illustrated part

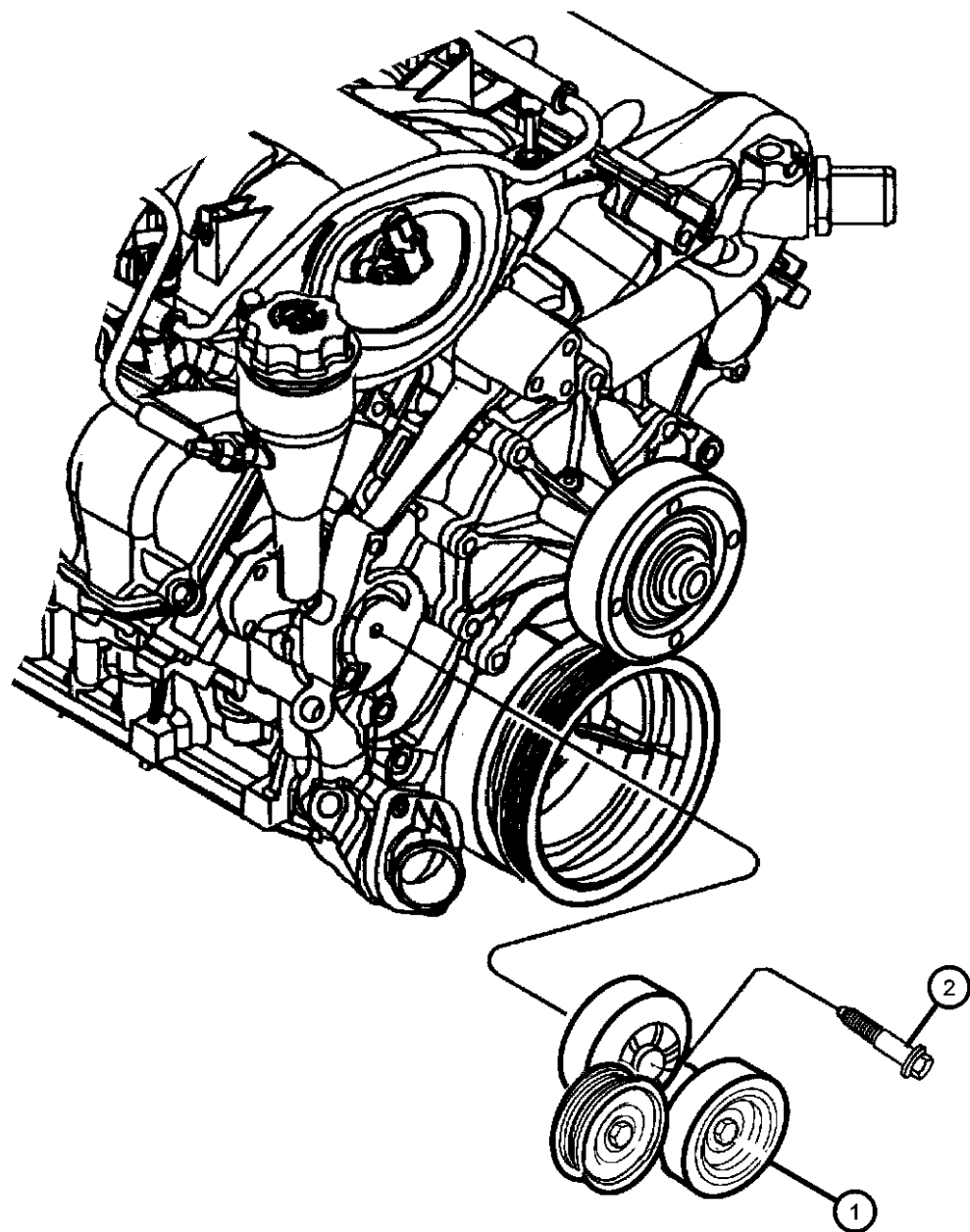
2001 WJ

Drive Pulleys 4.7L Engine
Figure 7-430

ITEM	PART NUMBER	QTY	LINE	SERIES	BODY	ENGINE	TRANS	TRIM	DESCRIPTION
------	-------------	-----	------	--------	------	--------	-------	------	-------------

Note: Sales Code EV0 = 4.7L Engine

1	53030958	1				EV0			TENSIONER, Alternator Belt
2	06504930AA	1				EV0			SCREW AND WASHER, Hex Head, M10x1.5x70



GRAND CHEROKEE (WJ)

SERIES	LINE	BODY	ENGINE	TRANSMISSION
H = Laredo	T = JEEP - 2WD	74 = SPORT UTILITY 4-DR	ERH = ENGINE - 4.0L POWER TECH I-6	DGK = TRANSMISSION - 4-SPD. AUTOMATIC, 42RE
P = Limited	J = JEEP - 4WD		EVA = ENGINE- 4.7L V8 MPI	DGQ = TRANSMISSION-5SPD AUTOMATIC 5-45RFE DGO = ALL AUTOMATIC TRANSMISSIONS

AR = use ase required - = Non illustrated part

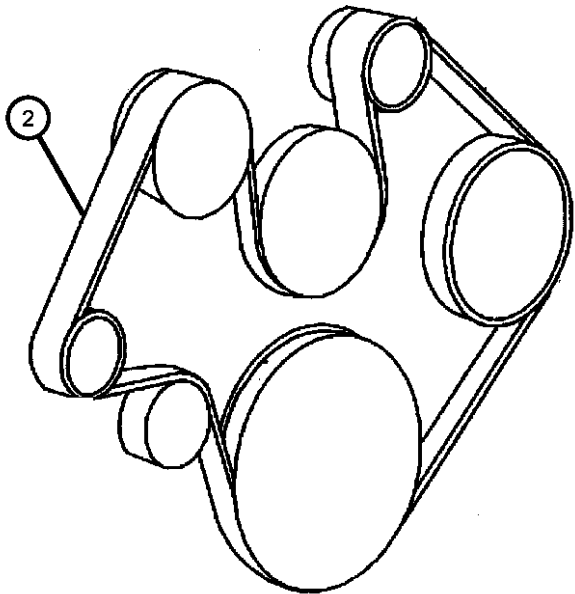
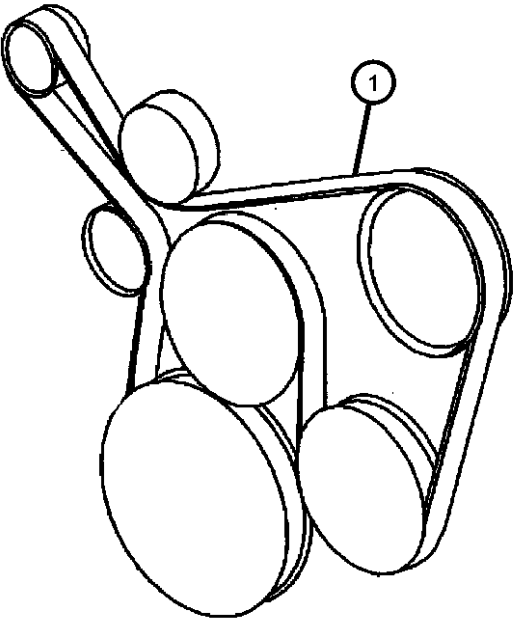
2001 WJ

Drive Belts 4.0L and 4.7L Engines
Figure 7-520

ITEM	PART NUMBER	QTY	LINE	SERIES	BODY	ENGINE	TRANS	TRIM	DESCRIPTION
------	-------------	-----	------	--------	------	--------	-------	------	-------------

Note Sales Code ERO = 4.0L Engine
 Note Sales Code EVO = 4.7L Engine

1	04854033	1				ERO			BELT, Accessory Drive
2	53032037AC	1				EVO			BELT, Accessory Drive



GRAND CHEROKEE (WJ)

SERIES	LINE	BODY	ENGINE	TRANSMISSION
H = Laredo	T = JEEP - 2WD	74 = SPORT UTILITY 4-DR	ERH = ENGINE - 4.0L POWER TECH I-6	DGK = TRANSMISSION - 4-SPD. AUTOMATIC, 42RE
P = Limited	J = JEEP - 4WD		EVA = ENGINE- 4.7L V8 MPI	DGQ = TRANSMISSION-5SPD AUTOMATIC 5-45RFE DGO = ALL AUTOMATIC TRANSMISSIONS

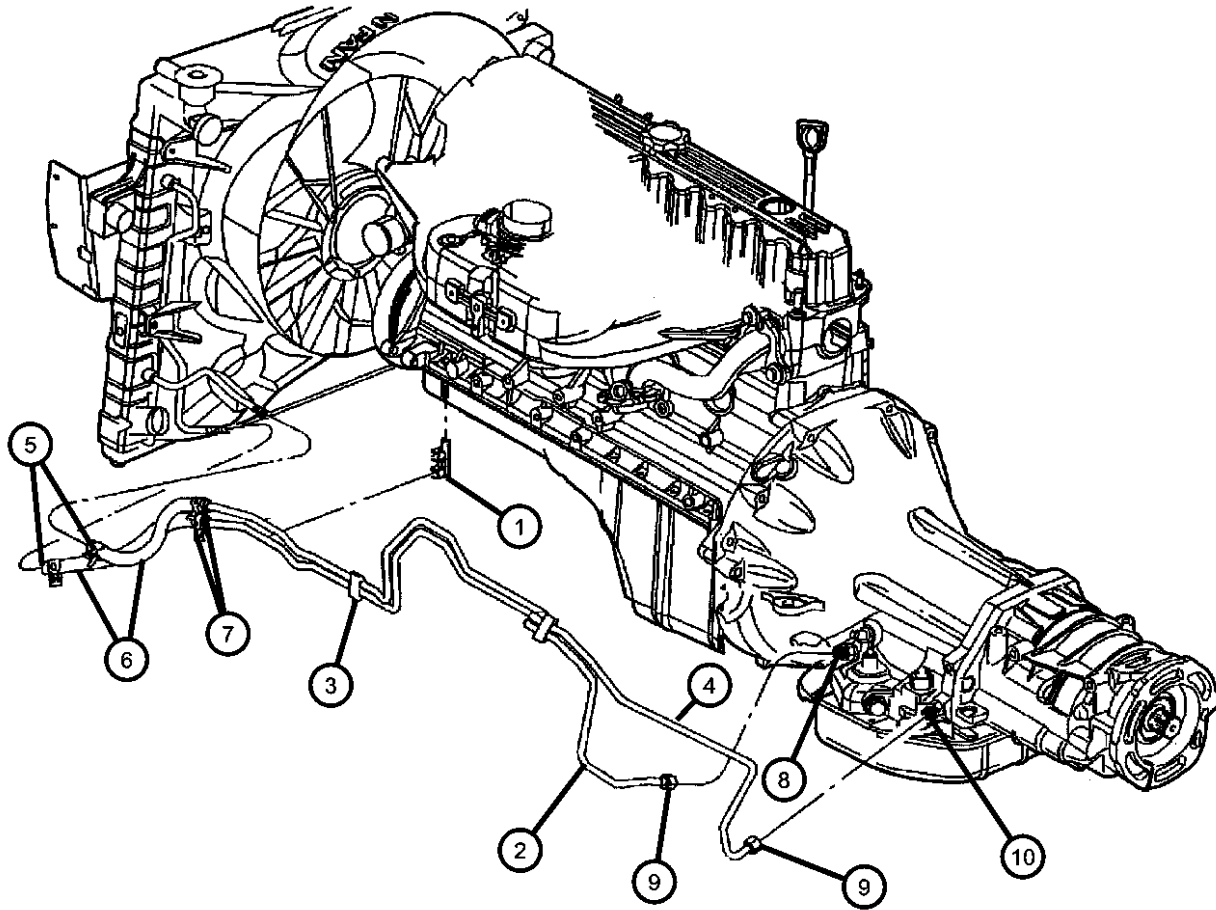
AR = use ase required - = Non illustrated part

**Oil Cooler and Lines 4.0L Engines
Figure 7-610**

ITEM	PART NUMBER	QTY	LINE	SERIES	BODY	ENGINE	TRANS	TRIM	DESCRIPTION
------	-------------	-----	------	--------	------	--------	-------	------	-------------

Note
 ER0 = 4.0L Engine
 DGW = 44RE, Auto Trans
 DGK = 42RE, Auto Trans
 DG4 = 45RFE, Multi-Speed Auto Trans.

1	52079789AA	1					DG0		BRACKET, Transmission Oil Cooler
2	52079369	1					DGK		TUBE, Oil Cooler
3	04815987AA	2					DGK		CLIP, Power Steering Hose
4	52079782AB	1					DGK		TUBE, Oil Cooler
5	52079631AA	1					DGK		CLAMP, Oil Cooler Tube
6	04026139	1					DGK		HOSE, Oil Cooler
7	52079632AA	1					DGK		CLAMP, Oil Cooler Tube
8	52028463AB	1					DGK		VALVE, Oil Cooler Pressure
9	06035503	3					DGK		NUT, .625-18
10									NUT, Transmission Case
	04799433AB	2	T				DG4		
		2	J				DG4		



GRAND CHEROKEE (WJ)

SERIES LINE
 H = Laredo T = JEEP - 2WD
 P = Limited J = JEEP - 4WD

BODY
 74 = SPORT UTILITY 4-DR

ENGINE
 ERH = ENGINE - 4.0L
 POWER TECH I-6
 EVA = ENGINE- 4.7L V8 MPI

TRANSMISSION
 DGK = TRANSMISSION - 4-SPD.
 AUTOMATIC, 42RE
 DGQ = TRANSMISSION-5SPD
 AUTOMATIC 5-45RFE
 DGO = ALL AUTOMATIC
 TRANSMISSIONS

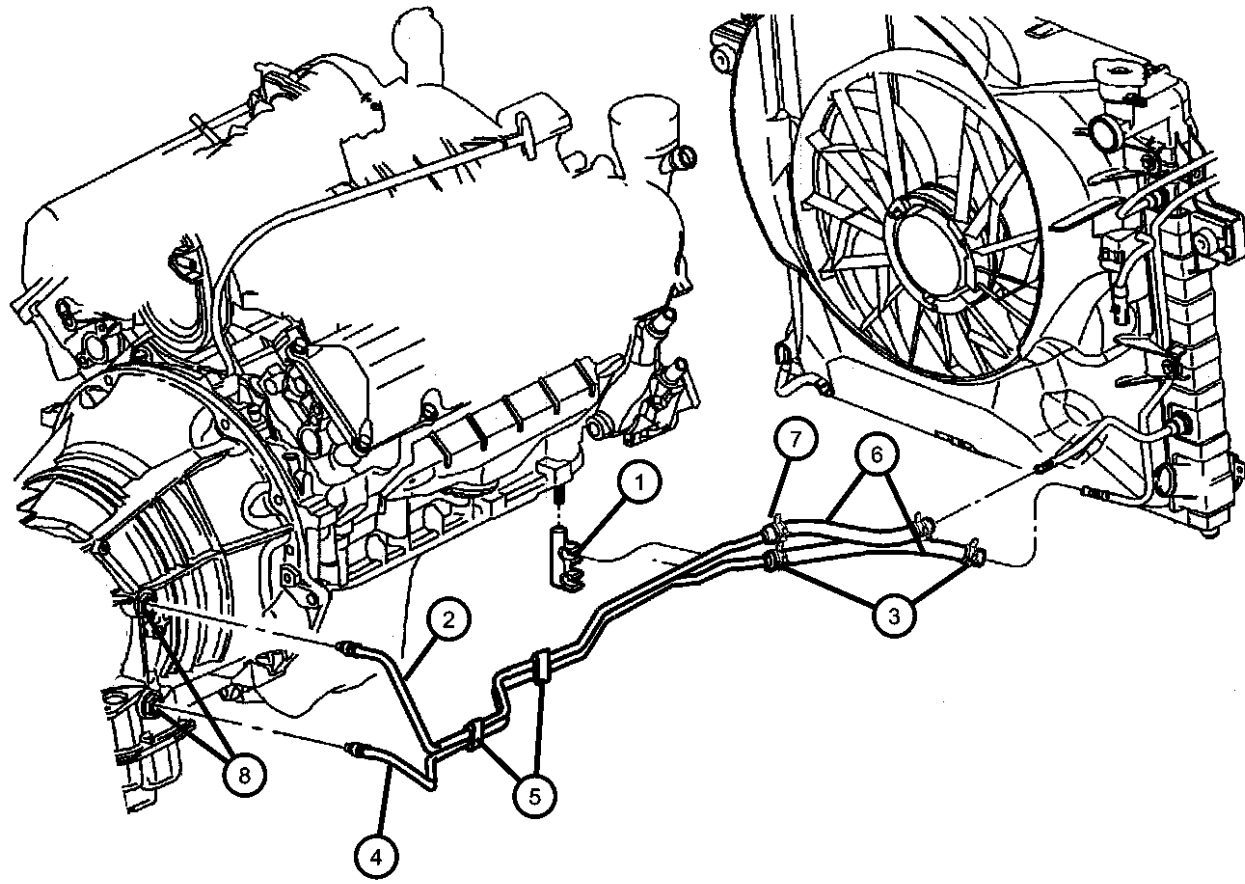
AR = use ase required - = Non illustrated part

2001 WJ

**Oil Cooler and Lines 4.7L Engine
Figure 7-620**

ITEM	PART NUMBER	QTY	LINE	SERIES	BODY	ENGINE	TRANS	TRIM	DESCRIPTION
1	52079789AA	1					DG0		BRACKET, Transmission Oil Cooler
2	52079375	1					DGQ		TUBE, Oil Cooler
3	04815987AA	2					DGQ		CLIP, Power Steering Hose
4	52079783AA	1					DGQ		TUBE, Oil Cooler
5	52079631AA	1					DGQ		CLAMP, Oil Cooler Tube
6	04026139	1					DGQ		HOSE, Oil Cooler
7	52079632AA	1					DGQ		CLAMP, Oil Cooler Tube
8	04799433AB	2	T				DGQ		NUT, Transmission Case
		2	J				DGQ		

Note:
 EV0 = 4.7L Engine
 DG0 = All Automatic Transmissions
 DG4 = Multi - Speed Auto Trans.



GRAND CHEROKEE (WJ)

SERIES LINE
 H = Laredo T = JEEP - 2WD
 P = Limited J = JEEP - 4WD

BODY
 74 = SPORT UTILITY 4-DR

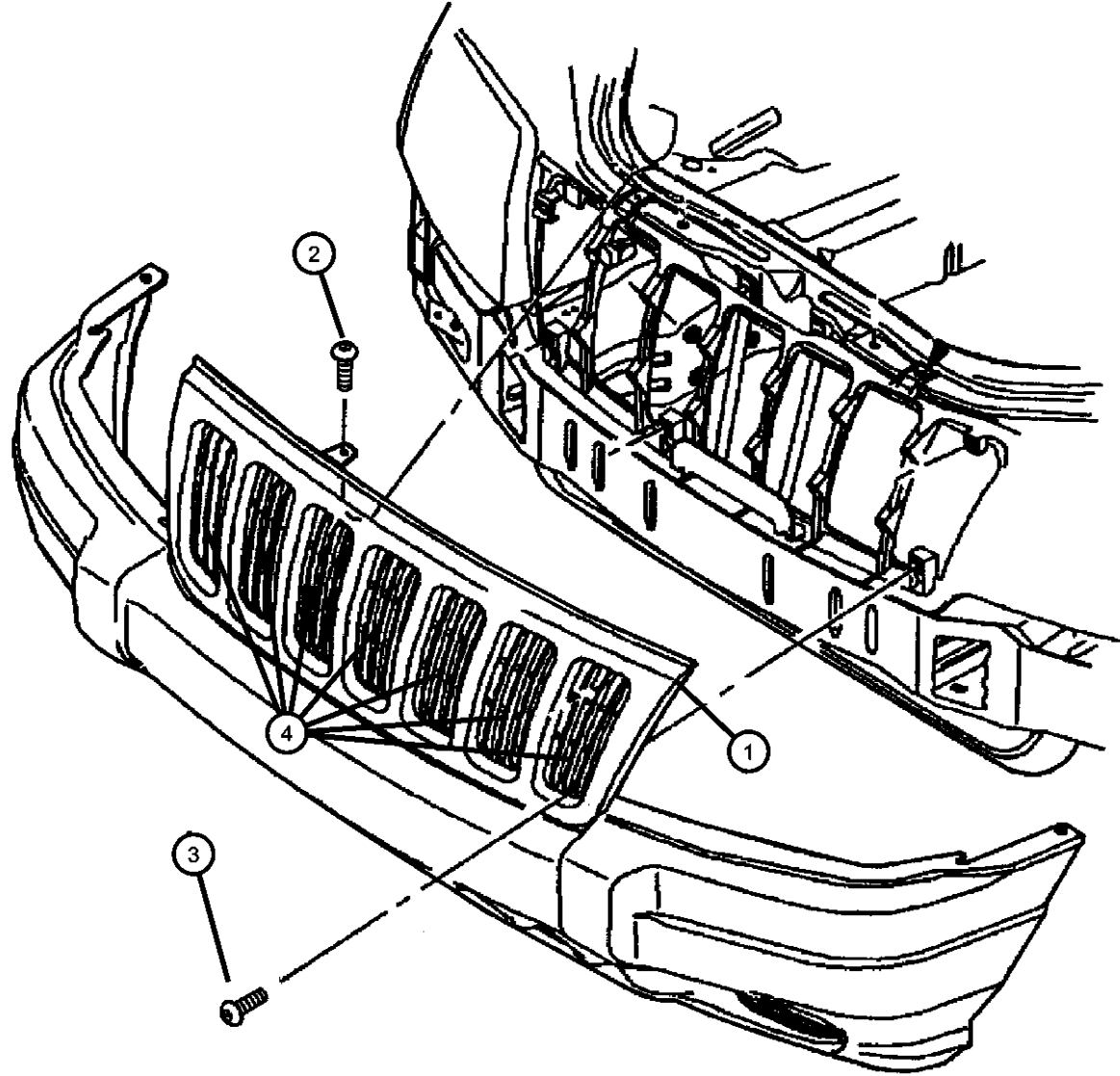
ENGINE
 ERH = ENGINE - 4.0L
 POWER TECH I-6
 EVA = ENGINE- 4.7L V8 MPI

TRANSMISSION
 DGK = TRANSMISSION - 4-SPD.
 AUTOMATIC, 42RE
 DGQ = TRANSMISSION-5SPD
 AUTOMATIC 5-45RFE
 DGO = ALL AUTOMATIC
 TRANSMISSIONS

AR = use ase required - = Non illustrated part

2001 WJ

Grille and Related Parts
Figure 7-720



ITEM	PART NUMBER	QTY	LINE	SERIES	BODY	ENGINE	TRANS	TRIM	DESCRIPTION
1									GRILLE, Fascia
	55155921AA	1							Chrome
	5GL79DX8AA	1							X8, with Chrome Rings
	5GL79PR4AA	1							R4, with Chrome Rings
	5GL79SW1AA	1							W1, with Chrome Rings
	5GL79WB-TAA	1							BT, with Chrome Rings
	5GL79WE-LAA	1							EL, with Chrome Rings
	5GL79WTHAA	1							TH, with Chrome Rings
	5GL79WU-LAA	1							UL, with Chrome Rings
	5GL79XBQAA	1							BQ, with Chrome Rings
	5GL79XGRAA	1							GR, with Chrome Rings
	5GL79XS5AA	1							S5, with Chrome Rings
	5GL79YJRAA	1							JR, with Chrome Rings
	5GL79YUBAA	1							UB, with Chrome Rings
	5GL79ZDRAA	1							DR, with Chrome Rings
2	06505571AA	7							SCREW, Pan Head, M4x1.79x19
3	06505571AA	7							SCREW, (NOT SERVICED)
4	5FT35DX9	1							GRILLE, Texture

GRAND CHEROKEE (WJ)

SERIES LINE
H = Laredo T = JEEP - 2WD
P = Limited J = JEEP - 4WD

BODY
74 = SPORT UTILITY 4-DR

ENGINE
ERH = ENGINE - 4.0L
POWER TECH I-6
EVA = ENGINE- 4.7L V8 MPI

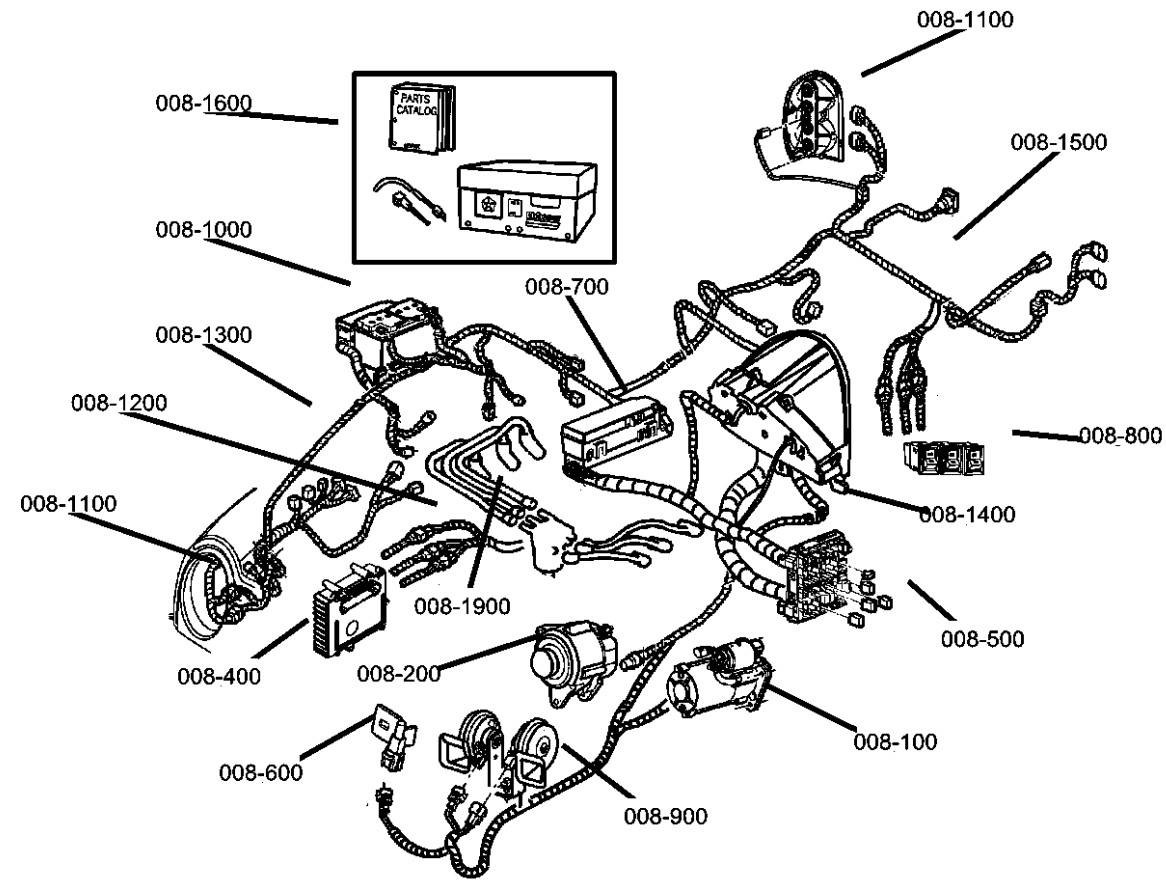
TRANSMISSION
DGK = TRANSMISSION - 4-SPD.
AUTOMATIC, 42RE
DGQ = TRANSMISSION-5SPD
AUTOMATIC 5-45RFE
DGO = ALL AUTOMATIC
TRANSMISSIONS

AR = use ase required - = Non illustrated part

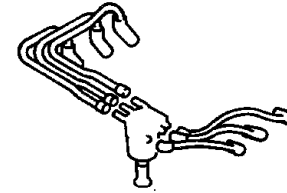
2001 WJ

Group - 8

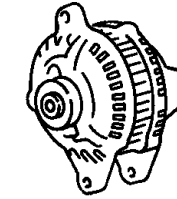
Electrical



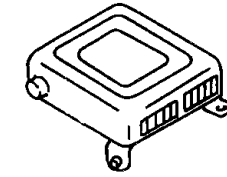
008-1900
Spark Plugs-Cables-Coils



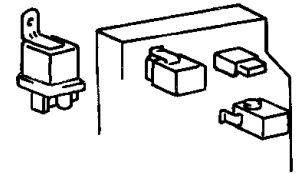
008-200
Alternators



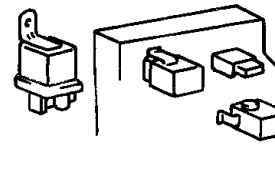
008-400
Modules



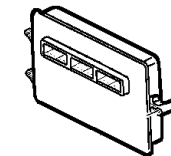
008-500
Relays



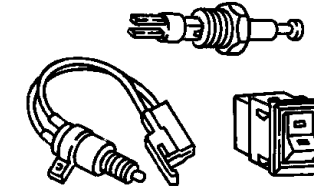
008-600
Sensors



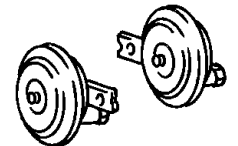
008-700
Single Board Engine Controllers

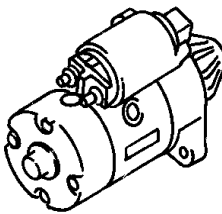
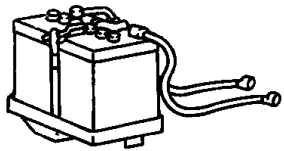
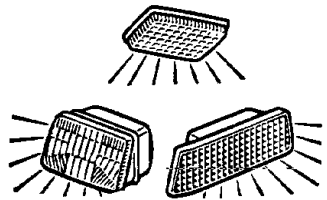
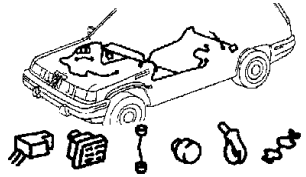


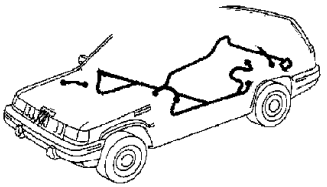


008-800
Switches



008-900
Horns



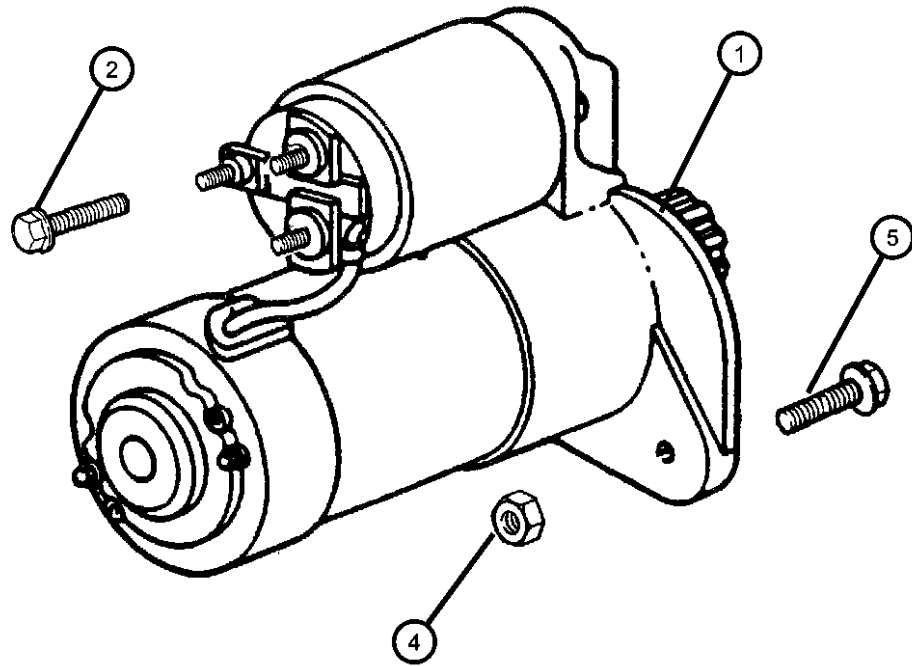
<p>008-100 Starters</p> 	<p>008-1000 Battery Tray and Cables</p> 	<p>008-1100 Lamps - Front, Rear and Courtesy</p> 	<p>008-1200 Wiring-Engine & Related Parts</p> 
<p>008-1300 Wiring-Headlamp to Dash</p> 	<p>008-1400 Wiring-Instrument Panel</p> 	<p>008-1500 Wiring-Body & Accessories</p> 	<p>008-1600 Wiring Repair</p> <p>WIRING REPAIR PKG.</p>

Group - 8 Electrical

Illustration Title	Group-Fig. No.
Starters	
Starters.....	Fig. 8 - 110
Alternators	
Alternator & Mounting.....	Fig. 8 - 210
Modules	
Modules.....	Fig. 8 - 405
Relays	
Power Distribution Center Relays and Fuse.....	Fig. 8 - 505
Junction Block Relays and Fuses.....	Fig. 8 - 510
Sensors	
Sensors Engine 4.0L.....	Fig. 8 - 605
Sensors Oxygen 4.0L engine.....	Fig. 8 - 606
Sensors Engine 4.7L Engine.....	Fig. 8 - 610
Sensors Oxygen 4.7L Engine.....	Fig. 8 - 611
Sensors Drivetrain.....	Fig. 8 - 615
Sensors Body.....	Fig. 8 - 620
Single Board Engine Controllers	
JTEC Modules and Solenoids.....	Fig. 8 - 710
Switches	
Switches Instrument Panel and Console.....	Fig. 8 - 805
Switches Drivetrain.....	Fig. 8 - 810
Switches Body.....	Fig. 8 - 815
Horns	
Horns.....	Fig. 8 - 910
Battery Tray and Cables	
Battery Tray & Cables.....	Fig. 8 - 1010
Lamps - Front, Rear and Courtesy	
Lamp - Front End.....	Fig. 8 - 1110
Lamp - Rear End.....	Fig. 8 - 1120
Lamp - Courtesy - Dome - Reading.....	Fig. 8 - 1130
Bulbs & Sockets.....	Fig. 8 - 1140
Wiring-Engine & Related Parts	
Wiring - Engine and Related Items 4.0L Engine.....	Fig. 8 - 1210
Wiring - Engine and Related Items 4.7L Engine.....	Fig. 8 - 1220
Wiring-Headlamp to Dash	
Wiring - Headlamp / Dash.....	Fig. 8 - 1310
Wiring-Instrument Panel	
Wiring - Instrument Panel.....	Fig. 8 - 1410
Wiring-Body & Accessories	
Wiring - Body & Accessories.....	Fig. 8 - 1510
Wiring Repair	
Wiring Repair Packages.....	Fig. 8 - 1605
Power Distribution Center Repair.....	Fig. 8 - 1610
Spark Plugs-Cables-Coils	
Spark Plugs - Coils.....	Fig. 8 - 1910

Starters
Figure 8-110

ITEM	PART NUMBER	QTY	LINE	SERIES	BODY	ENGINE	TRANS	TRIM	DESCRIPTION
ER0=4.0L Engine EVO=4.7L Engine DG4=Automatic Transmission Multi-Speed									
1									STARTER
	56041012AB	1				ER0			
	R6041012AC								Mopar Remanufactured Part
	56041207AB	1				EVO			
2	J4006192	1				ER0			BOLT AND WASHER, Hex Head, .375-16x1.75
-3	06102084AA	2				EVO			SCREW
4	06102084AA	2							NUT, M8x1.25, (NOT SERVICED)
5	06503699	1				ER0			SCREW AND WASHER, Hex Head, M10x1.5x28
-6	52104133	1					DG4		COVER, Transmission Dust, Starter to Transmission



GRAND CHEROKEE (WJ)

SERIES LINE
H = Laredo T = JEEP - 2WD
P = Limited J = JEEP - 4WD

BODY
74 = SPORT UTILITY 4-DR

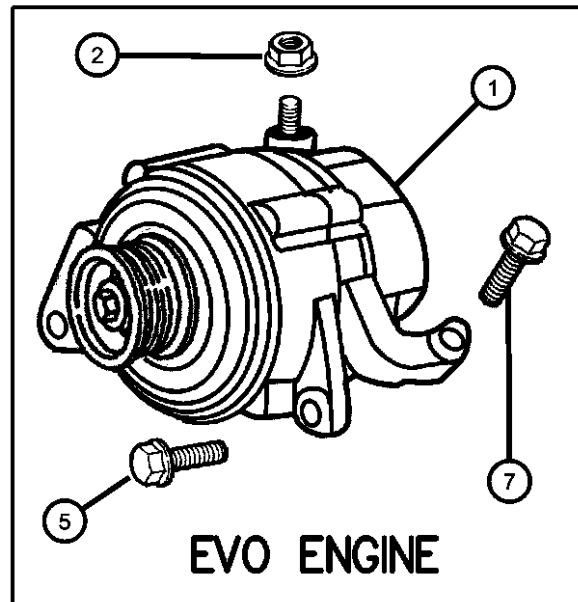
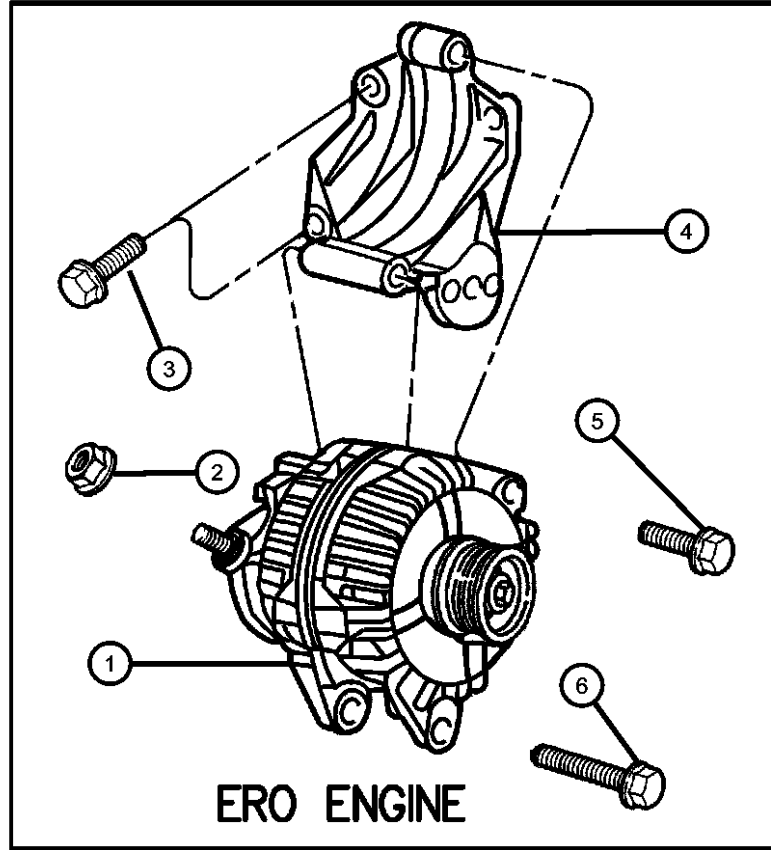
ENGINE
ERH = ENGINE - 4.0L
POWER TECH I-6
EVA = ENGINE- 4.7L V8 MPI

TRANSMISSION
DGK = TRANSMISSION - 4-SPD.
AUTOMATIC, 42RE
DGQ = TRANSMISSION-5SPD
AUTOMATIC 5-45RFE
DGO = ALL AUTOMATIC
TRANSMISSIONS

AR = use ase required - = Non illustrated part

2001 WJ

**Alternator & Mounting
Figure 8-210**



ITEM	PART NUMBER	QTY	LINE	SERIES	BODY	ENGINE	TRANS	TRIM	DESCRIPTION
ERO=4.0L Engine EVO=4.7L Engine									
1									ALTERNATOR
	56041322AB	1				ERO			
	56041693AA	1				EVO			
2	56041693AA	1							NUT, Hex Flange Lock, M6x1, (NOT SERVICED)
3									SCREW AND WASHER, Hex
	00154854AA	4				ERO			
	06505488AA	1				EVO			
4	04854026	1				ERO			BRACKET, Alternator
5									SCREW AND WASHER, Hex
	06505488AA	1				ERO			
		1				EVO			
6	06504344	1				ERO, EVO			SCREW AND WASHER, Hex Head
7	06505482AA	1				EVO			SCREW AND WASHER, Hex Head, M8x1.25x50

GRAND CHEROKEE (WJ)

SERIES	LINE
H = Laredo	T = JEEP - 2WD
P = Limited	J = JEEP - 4WD

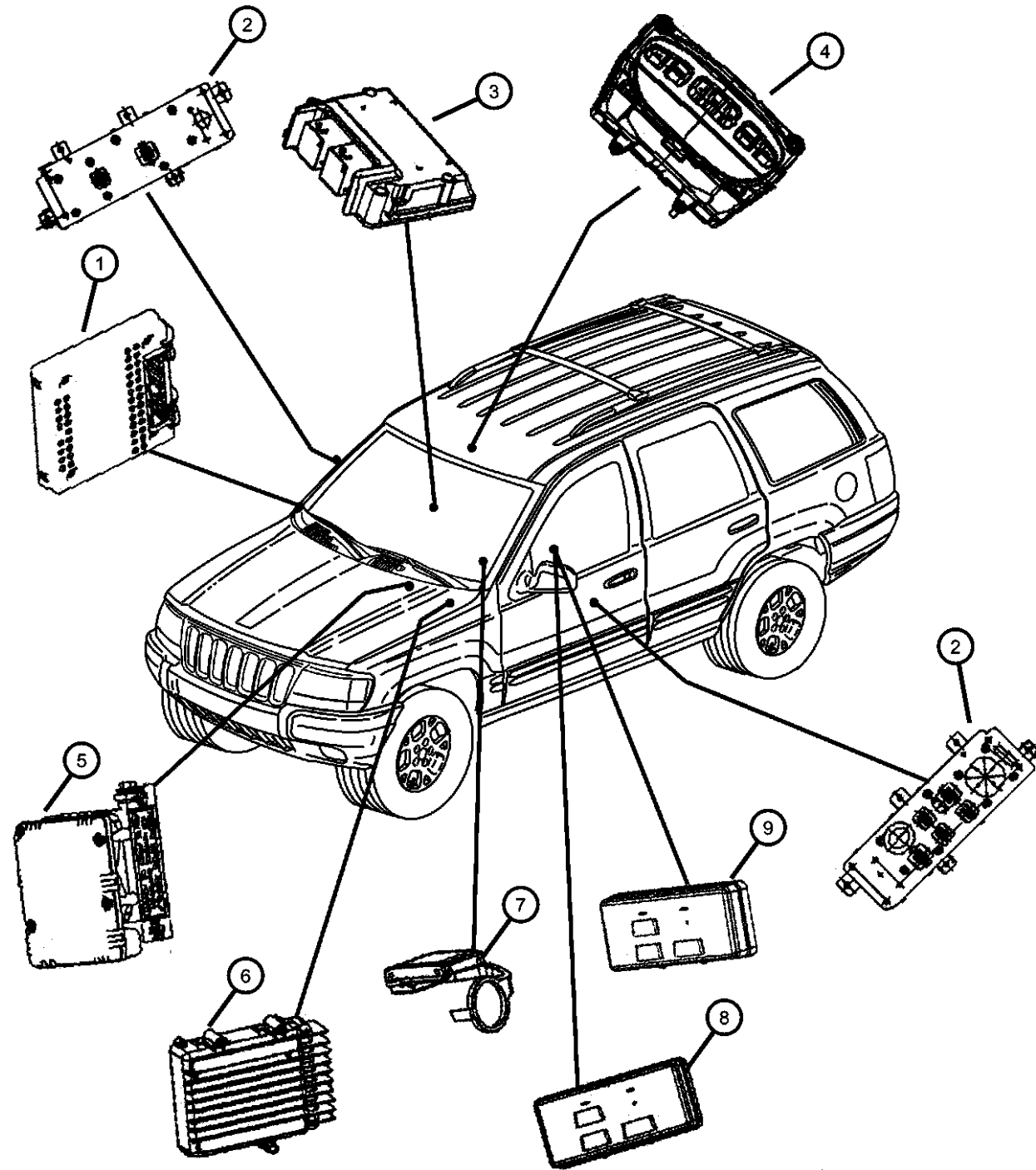
BODY
74 = SPORT UTILITY 4-DR

ENGINE
ERH = ENGINE - 4.0L POWER TECH I-6
EVA = ENGINE- 4.7L V8 MPI

TRANSMISSION
DGK = TRANSMISSION - 4-SPD. AUTOMATIC, 42RE
DGQ = TRANSMISSION-5SPD AUTOMATIC 5-45RFE
DGO = ALL AUTOMATIC TRANSMISSIONS

AR = use ase required - = Non illustrated part

Modules
Figure 8-405



ITEM	PART NUMBER	QTY	LINE	SERIES	BODY	ENGINE	TRANS	TRIM	DESCRIPTION
1	56042498AM	1							MODULE, Body Controller
2									SWITCH, Door Module
	5HB61XT5AA	1		P					[T5], Left
	5HB61DX9AC	1		P					[A2], Left
		1		P					[AZ], Left
	5HB61WL5AC	1		P					[L5], Left
	5HB62DX9AA	1		H					[AZ], Right
		1		P					[AZ], Right
	5HB62WL5AA	1		P					[L5], Right
		1		H					[L5], Right
	5HB62XT5AA	1		P					[T5], Right
		1		H					[T5], Right
3	56042047AC	1							MODULE, Air Bag Control
4									MODULE, Compass Temperature
	56042749AA	1							With Garage Door Opener
	56042754AA	1							
5	56041022AH	1				ER0, EV0			MODULE, Anti-lock Brakes
6	56041504AC	1				EV0	DGQ		MODULE, Transmission Control
7	04686665AB	1							MODULE, Immobilizer
8									MODULE, Seat Memory
	56042304AF	1							
	56042305AF	1							With Heated Seats (Up to 9/18/00)
	56050151AA	1							With Heated Seats (After 9/18/00)
9									MODULE, Heated Seat Control
	56042493AF	1							Up to 9/18/00
	56050150AA	1							After 9/18/00
-10									LABEL, Air Bag Warning
	04595748AA	1							Glovebox
	04595749AA	1							Glovebox (Canada)
	04787437AA	2							Sun Visor (Canada)

GRAND CHEROKEE (WJ)

SERIES LINE
 H = Laredo T = JEEP - 2WD
 P = Limited J = JEEP - 4WD

BODY
 74 = SPORT UTILITY 4-DR

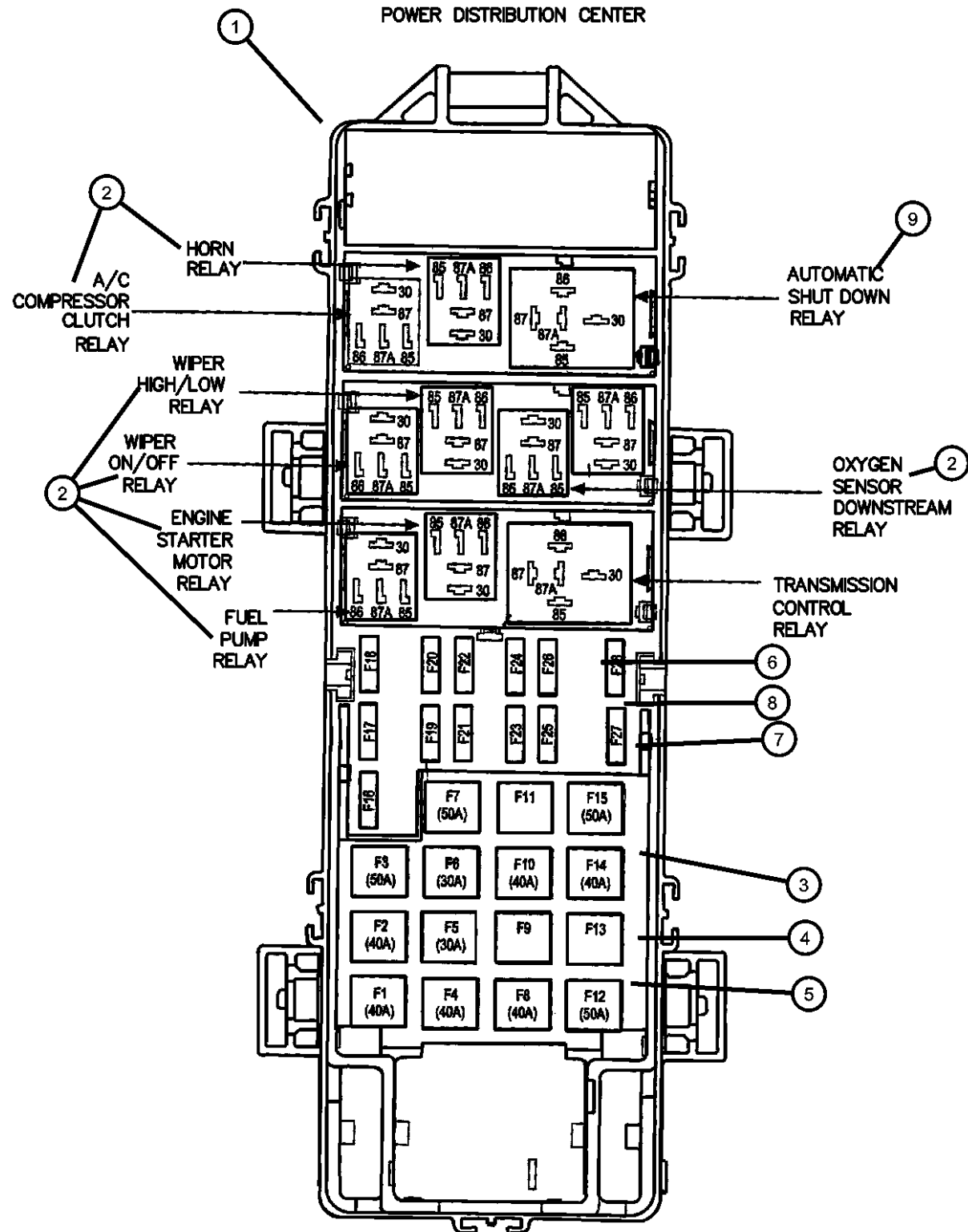
ENGINE
 ERH = ENGINE - 4.0L
 POWER TECH I-6
 EVA = ENGINE- 4.7L V8 MPI

TRANSMISSION
 DGK = TRANSMISSION - 4-SPD.
 AUTOMATIC, 42RE
 DGQ = TRANSMISSION-5SPD
 AUTOMATIC 5-45RFE
 DGO = ALL AUTOMATIC
 TRANSMISSIONS

AR = use ase required - = Non illustrated part

2001 WJ

Power Distribution Center Relays and Fuse
Figure 8-505



ITEM	PART NUMBER	QTY	LINE	SERIES	BODY	ENGINE	TRANS	TRIM	DESCRIPTION
1	04787437AA	2							POWER DISTRIBUTION CENTER, See Headlamp to Dash Wiring, (NOT SERVICED), RELAY, Mini
2	04671168	8				EVC			RELAY, Mini
3	06102076AA	2				EVC			FUSE CARTRIDGE, 30 Amp
4	06102077AA	6				EVC			FUSE CARTRIDGE, 40 Amp
5	06102078AA	3	U			ER0, EV0			FUSE CARTRIDGE, 50 Amp
6	000ATM10	1							FUSE, Mini, 10 AMP, Red
7	000ATM15	1							FUSE, Mini, 15 AMP, Light Blue
8	000ATM20	1							FUSE, Mini, 20 AMP, Yellow
9									RELAY, Electrical
	04848879AA	4				EVC			
		4	U			ER0, EV0			
-10	56042216AB	1							RELAY, [LMK]

GRAND CHEROKEE (WJ)

SERIES LINE
H = Laredo T = JEEP - 2WD
P = Limited J = JEEP - 4WD

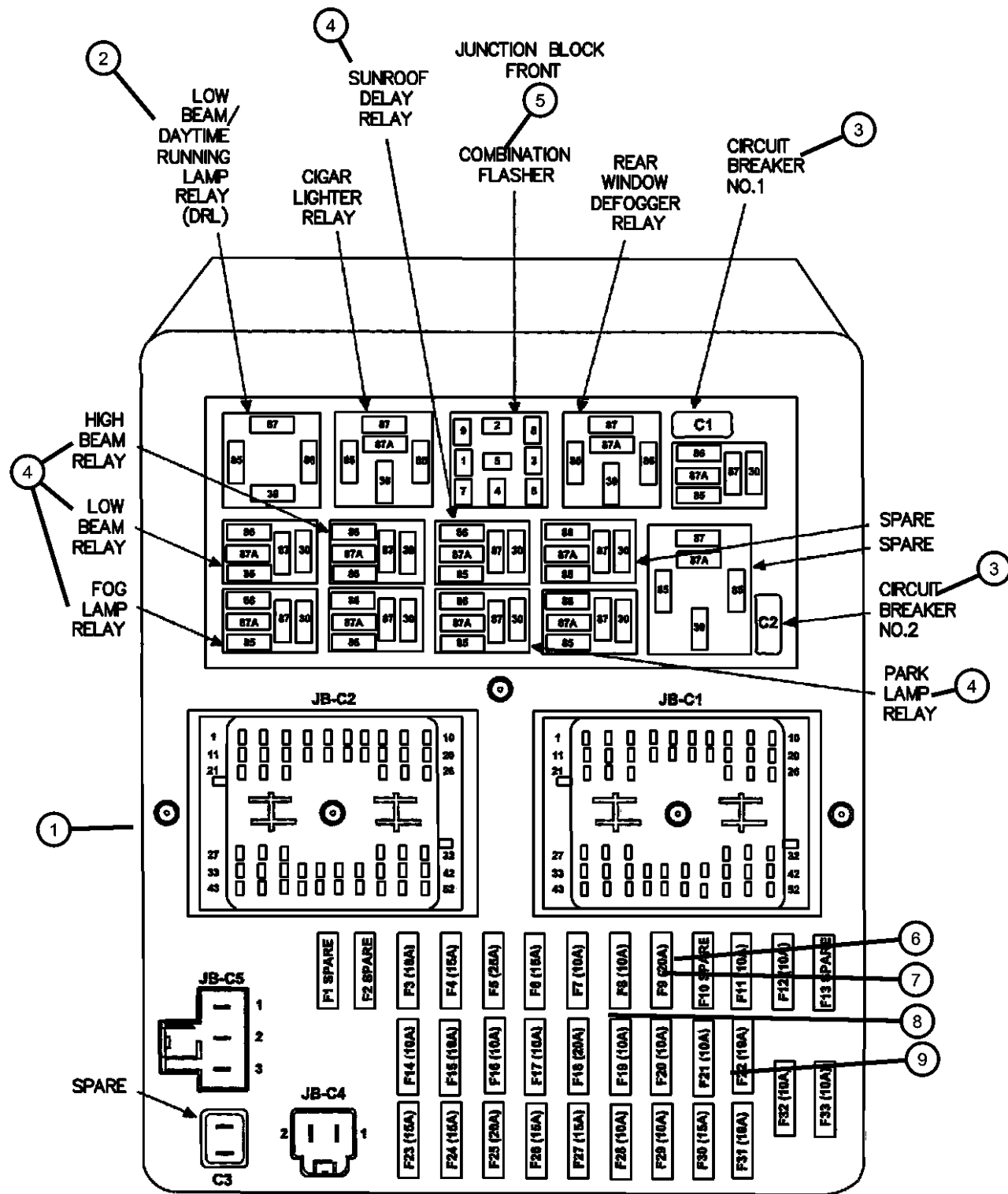
BODY
74 = SPORT UTILITY 4-DR

ENGINE
ERH = ENGINE - 4.0L POWER TECH I-6
EVA = ENGINE- 4.7L V8 MPI

TRANSMISSION
DGK = TRANSMISSION - 4-SPD. AUTOMATIC, 42RE
DGQ = TRANSMISSION-5SPD AUTOMATIC 5-45RFE
DGO = ALL AUTOMATIC TRANSMISSIONS

AR = use ase required - = Non illustrated part

Junction Block Relays and Fuses
Figure 8-510



ITEM	PART NUMBER	QTY	LINE	SERIES	BODY	ENGINE	TRANS	TRIM	DESCRIPTION
1	05018536AA	1							JUNCTION BLOCK, Relay
2	56042216AB	1							RELAY, Daytime Running Lamp
3	04604235	2							BREAKER, Circuit
4	56042677AA	1							RELAY, Mini, Foglamp, Headlamp High and Low Beam, Park Lamp, Sunroof
5	04686094	1							FLASHER
6	000ATM10	1							FUSE, Mini, 10 AMP, Red
7	000ATM15	1							FUSE, Mini, 15 AMP, Light Blue
8	000ATM20	1							FUSE, Mini, 20 AMP, Yellow
9	04687835	1							FUSE, Mini, 25 Amp, Natural
-10	04707286AF	1							RELAY, Radiator Fan
-11	56007290	1							BREAKER, Circuit

GRAND CHEROKEE (WJ)

SERIES LINE
H = Laredo T = JEEP - 2WD
P = Limited J = JEEP - 4WD

BODY
74 = SPORT UTILITY 4-DR

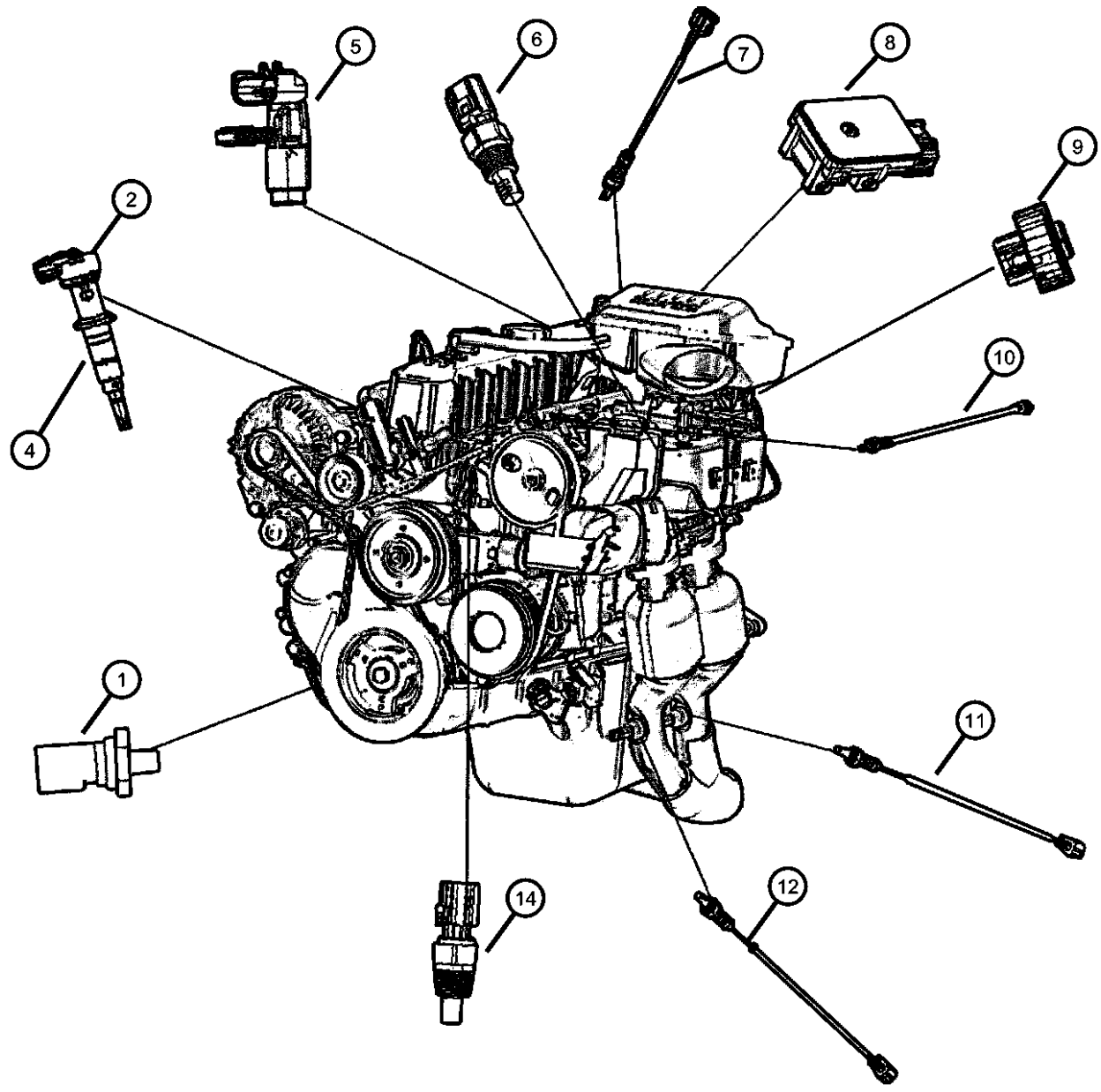
ENGINE
ERH = ENGINE - 4.0L
POWER TECH I-6
EVA = ENGINE- 4.7L V8 MPI

TRANSMISSION
DGK = TRANSMISSION - 4-SPD.
AUTOMATIC, 42RE
DGG = TRANSMISSION-5SPD
AUTOMATIC 5-45RFE
DGO = ALL AUTOMATIC
TRANSMISSIONS

AR = use as required - = Non illustrated part

2001 WJ

Sensors Engine 4.0L
Figure 8-605



ITEM	PART NUMBER	QTY	LINE	SERIES	BODY	ENGINE	TRANS	TRIM	DESCRIPTION
Notes: [ER0]=All 4.0L Engine [DG0]=All Automatic Transmissions									
1	56028807AA	1				ER0			SENDING UNIT, Oil Pressure
2	04897023AA	1				ER0			SENSOR, Camshaft
-3	J3181288	1				ER0			GASKET, Distributor, Camshaft Sensor
4	05083881AA	1				ER0			DRIVE, OIL PUMP
5	04897321AA	1				ER0	DG0		SENSOR PACKAGE, Crankshaft Position
6	56027872	1				ER0			SENSOR, Air Temperature
7									SENSOR, Oxygen
	56041887AA	1				ER0			Before Catalyst (European II Emissions)
	56041944AA	1				ER0			Before Catalyst, Rear (Federal / California Emissions)
8	56029405	1				ER0			SENSOR, MAP
9	04874371AC	1				ER0			SENSOR, Throttle Position
10									SENSOR, Oxygen
	56041887AA	1				ER0			Before Catalyst (European II Emissions)
	56041943AA	1				ER0			Before Catalyst, Front (California / European III Emissions)
		1				ER0			Before Catalyst, Front (Federal / California Emissions)
11									SENSOR, Oxygen
	56041848AA	1				ER0			After Catalyst, Rear (California / European III Emissions)
		1				ER0			After Catalyst, Rear (Federal / California Emissions)
12	56041845AA	1				ER0			SENSOR, Oxygen, After Catalyst, Front (Federal / California Emissions)
-13	56041675AA	1				ER0			SHIELD, Heat, Oxygen Sensor
14	56027873	1				ER0			SENSOR, Coolant Temperature

GRAND CHEROKEE (WJ)

SERIES LINE
H = Laredo T = JEEP - 2WD
P = Limited J = JEEP - 4WD

BODY
74 = SPORT UTILITY 4-DR

ENGINE
ERH = ENGINE - 4.0L
POWER TECH I-6
EVA = ENGINE- 4.7L V8 MPI

TRANSMISSION
DGK = TRANSMISSION - 4-SPD.
AUTOMATIC, 42RE
DGQ = TRANSMISSION-5SPD
AUTOMATIC 5-45RFE
DGO = ALL AUTOMATIC
TRANSMISSIONS

AR = use ase required - = Non illustrated part

**Sensors Oxygen 4.0L engine
Figure 8-606**

ITEM	PART NUMBER	QTY	LINE	SERIES	BODY	ENGINE	TRANS	TRIM	DESCRIPTION
1	56041943AA	1				ER0			SENSOR, OxygenBefore Catalyst, Front
2									SENSOR, Oxygen
	56041887AA	1				ER0			[NAA,NAC], Before Catalyst
	56041943AA	1				ER0			[NAE,NAA], Before Catalyst
3	56041845AA	1				ER0			SENSOR, OxygenAfter Catalyst
4	05139020AA	1				ER0			SENSOR PACKAGE, OxygenAfter Catalyst, Rear
5	05139020AA	1							CLIP, (NOT SERVICED)

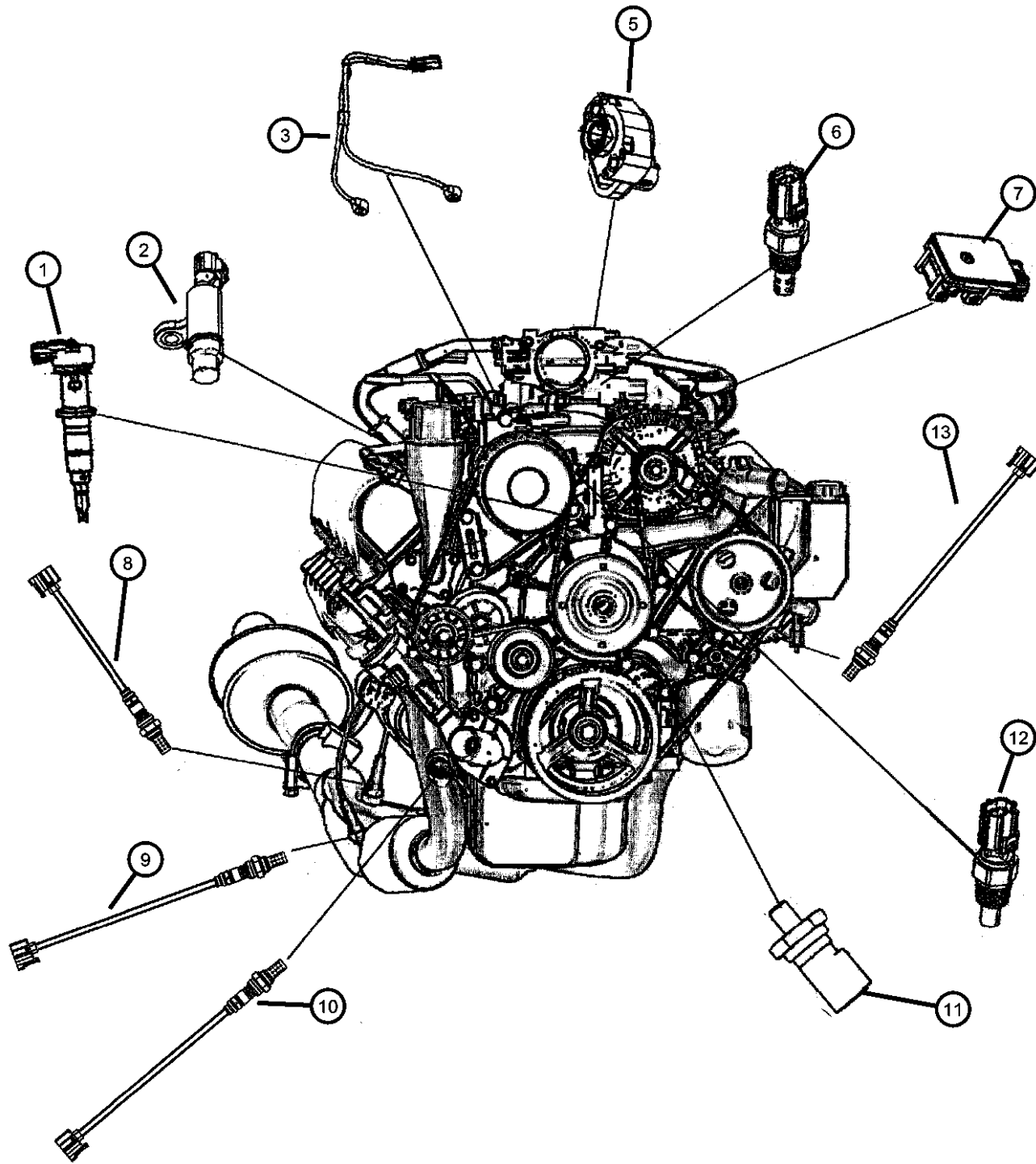
GRAND CHEROKEE (WJ)

SERIES	LINE	BODY	ENGINE	TRANSMISSION
H = Laredo	T = JEEP - 2WD	74 = SPORT UTILITY 4-DR	ERH = ENGINE - 4.0L POWER TECH I-6	DGK = TRANSMISSION - 4-SPD. AUTOMATIC,42RE
P = Limited	J = JEEP - 4WD		EVA = ENGINE- 4.7L V8 MPI	DGQ = TRANSMISSION-5SPD AUTOMATIC 5-45RFE DGO = ALL AUTOMATIC TRANSMISSIONS

AR = use ase required - = Non illustrated part

2001 WJ

**Sensors Engine 4.7L Engine
Figure 8-610**



ITEM	PART NUMBER	QTY	LINE	SERIES	BODY	ENGINE	TRANS	TRIM	DESCRIPTION
------	-------------	-----	------	--------	------	--------	-------	------	-------------

Notes:
[EV0]=4.7L Engine
[EVC]=4.7L Power Tech H V8 Engine

1									SENSOR, Camshaft
	04897023AA	1				ER0			
	56028133AE	1				EV0			
2	56028136AD	1				EV0			SENSOR, Crankshaft Position
3	56041677AA	1				EVC			SENSOR, Knock
-4	56041849AA	1				EVC			BRACKET, Knock Sensor
5	04882219	1				EV0			SENSOR, Throttle Position
6	56028364AA	1				EV0			SENSOR, Air Temperature
7	56041018	1				EV0			SENSOR, MAP
8	56041941AA	1				EV0			SENSOR, Oxygen, Upstream Right
9	56041731AA	1				EV0			SENSOR, Oxygen, Downstream Right
10	56041345AE	1				EV0			SENSOR, Oxygen, Downstream Left
11	56028807AA	1				EV0			SENDING UNIT, Oil Pressure
12	56027873	1				EV0			SENSOR, Coolant Temperature
13	56041942AA	1				EV0			SENSOR, Oxygen, Upstream Left
-14									BRACKET, Oxygen Sensor Front
	56041434AA	1				EV0			
	56041478AB	1				EV0			
-15									SENSOR, Ambient Temperature
	56042395	1			H				
		1			P				

GRAND CHEROKEE (WJ)

SERIES LINE
H = Laredo T = JEEP - 2WD
P = Limited J = JEEP - 4WD

BODY
74 = SPORT UTILITY 4-DR

ENGINE
ERH = ENGINE - 4.0L
POWER TECH I-6
EVA = ENGINE- 4.7L V8 MPI

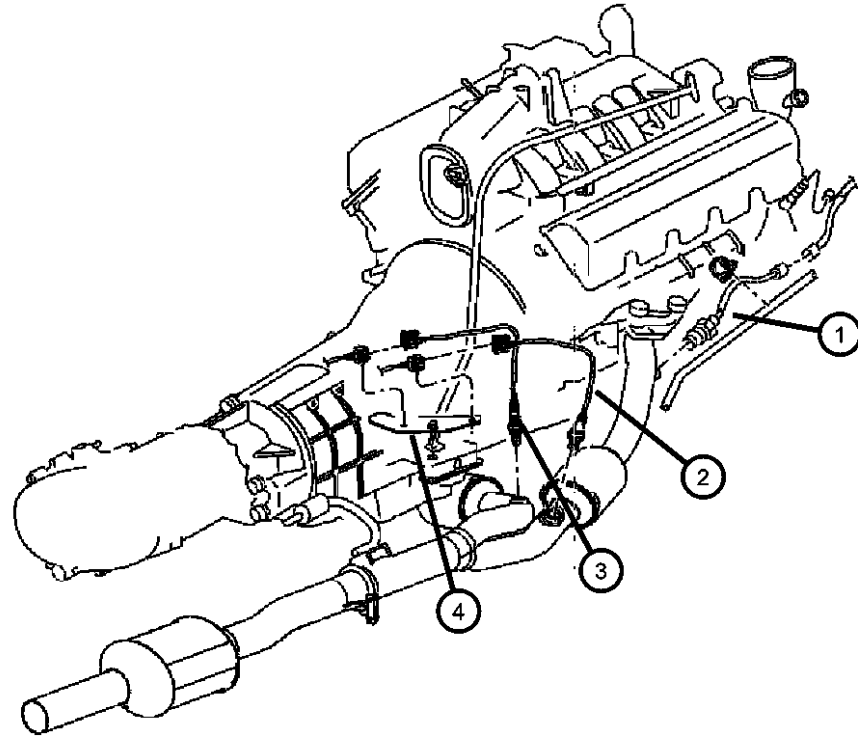
TRANSMISSION
DGK = TRANSMISSION - 4-SPD.
AUTOMATIC, 42RE
DGQ = TRANSMISSION-5SPD
AUTOMATIC 5-45RFE
DGO = ALL AUTOMATIC
TRANSMISSIONS

AR = use ase required - = Non illustrated part

2001 WJ

**Sensors Oxygen 4.7L Engine
Figure 8-611**

ITEM	PART NUMBER	QTY	LINE	SERIES	BODY	ENGINE	TRANS	TRIM	DESCRIPTION
1	56041941AA	1				EVO			SENSOR, Oxygen Before Catalyst
	56041942AA	1				EVO			Before Catalyst, Left
2	56041345AE	1				EVO			SENSOR, OxygenAfter Catalyst
3	56041731AA	1				EVO			SENSOR, OxygenAfter Catalyst, Right
4	56041478AB	1				EVO			BRACKET, Oxygen Sensor



GRAND CHEROKEE (WJ)

SERIES

LINE

BODY

ENGINE

TRANSMISSION

H = Laredo

T = JEEP - 2WD

74 = SPORT UTILITY 4-DR

ERH = ENGINE - 4.0L

DGK = TRANSMISSION - 4-SPD.

P = Limited

J = JEEP - 4WD

POWER TECH I-6

AUTOMATIC, 42RE

EVA = ENGINE- 4.7L V8 MPI

DGQ = TRANSMISSION-5SPD

AUTOMATIC 5-45RFE

DGO = ALL AUTOMATIC

TRANSMISSIONS

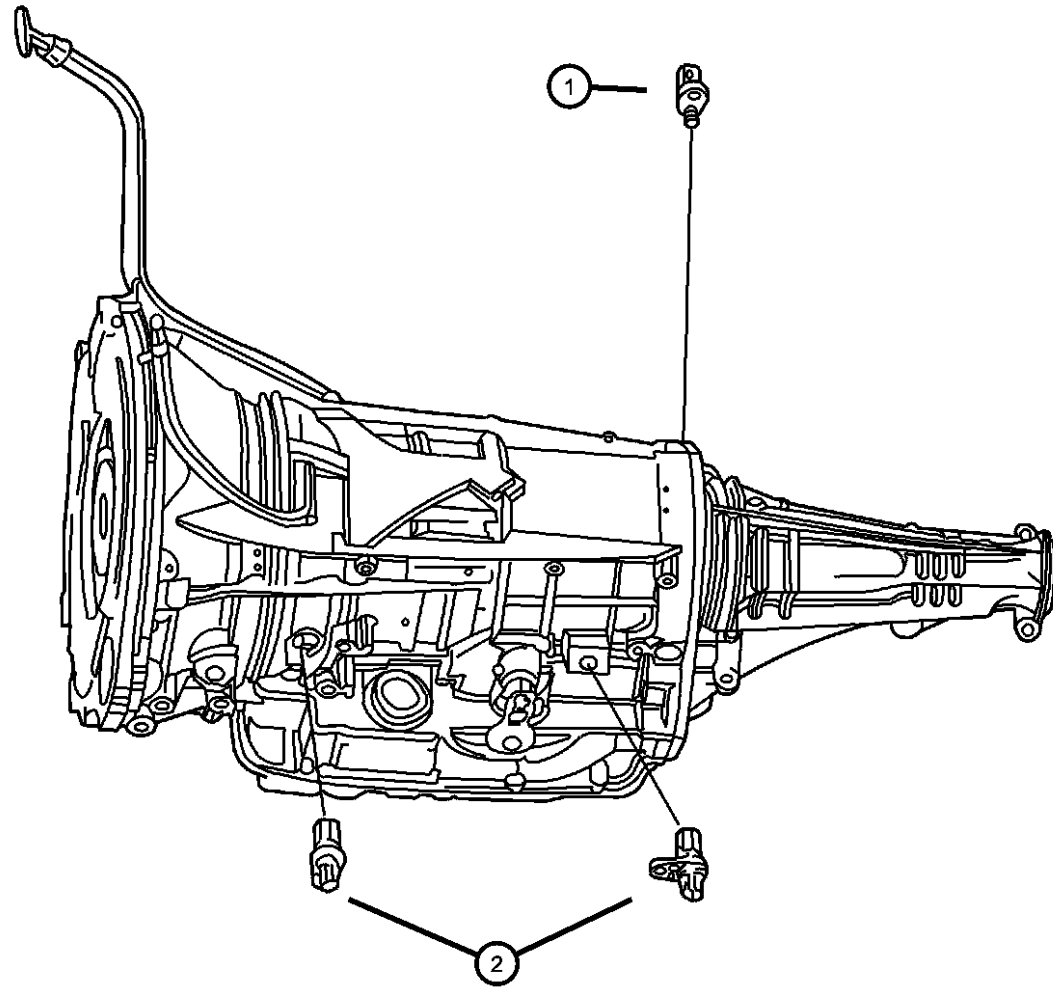
AR = use ase required - = Non illustrated part

2001 WJ

**Sensors Drivetrain
Figure 8-615**

ITEM	PART NUMBER	QTY	LINE	SERIES	BODY	ENGINE	TRANS	TRIM	DESCRIPTION
------	-------------	-----	------	--------	------	--------	-------	------	-------------

Notes:
[DGK]=4 Speed Automatic Transmission
[DGQ]=5 Speed Automatic Transmission



1									TRANSDUCER, Pressure Sensor
	04799758	1	T				DGQ		
		1	J				DGQ		
2									SENSOR, Transmission Output Speed
	04412879	1	T				DGK		
		1	J				DGK		
	04799061	2	T				DGQ		
		2	J				DGQ		

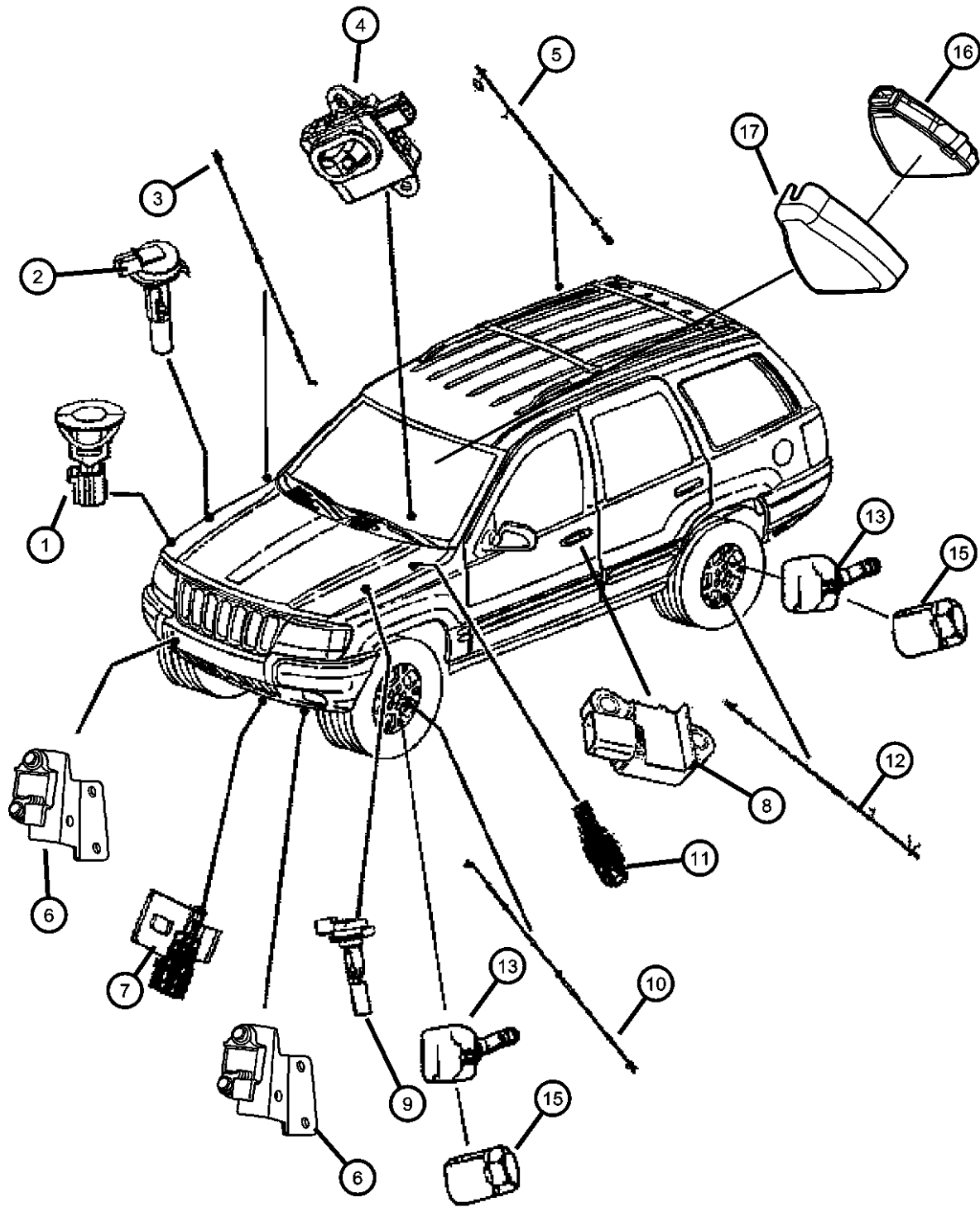
GRAND CHEROKEE (WJ)

SERIES	LINE	BODY	ENGINE	TRANSMISSION
H = Laredo	T = JEEP - 2WD	74 = SPORT UTILITY 4-DR	ERH = ENGINE - 4.0L POWER TECH I-6	DGK = TRANSMISSION - 4-SPD. AUTOMATIC, 42RE
P = Limited	J = JEEP - 4WD		EVA = ENGINE- 4.7L V8 MPI	DGQ = TRANSMISSION-5SPD AUTOMATIC 5-45RFE
				DGO = ALL AUTOMATIC TRANSMISSIONS

AR = use ase required - = Non illustrated part

2001 WJ

Sensors Body
Figure 8-620



ITEM	PART NUMBER	QTY	LINE	SERIES	BODY	ENGINE	TRANS	TRIM	DESCRIPTION
1	56041053	1				ER0, EVO			SENSOR, Battery Temperature
2	52079468	1				ER0			SENSOR, Coolant Level
3	56041316AB	1	T			EVO			SENSOR, Wheel Speed
4	56042584AA	1	J						SENSOR, Headlamp
5	56041308AA	1							SENSOR, Wheel Speed
6	56041308AA	1							SENSOR, Air Bag, (NOT REQUIRED)
7	56042395	1		P					SENSOR, Ambient Temperature
8		1		H					SENSOR, Air Bag, (NOT REQUIRED)
9	04882797	1							SENSOR, Washer Fluid Level
10	56041316AB	1	T						SENSOR, Wheel Speed
		1	J						Right, Front
		1	U						Right, Front
	56041317AB	1	U						Right, Front
		1	U						Left, Front
		1	T						Left, Front
		1	J						Left, Front
11	05013903AA	1							SENSOR, Brake Fluid Level
12	56041509AA	1							SENSOR, Wheel Speed
13	56041509AA	1							SENSOR, Tire Pressure, Valve stem, (NOT REQUIRED)
-14	56041509AA	1							MAGNET, (NOT REQUIRED)
15	56041509AA	1							NUT, (NOT REQUIRED)
16	56041509AA	1							SENSOR, Rain, (NOT REQUIRED)

GRAND CHEROKEE (WJ)

SERIES LINE
H = Laredo T = JEEP - 2WD
P = Limited J = JEEP - 4WD

BODY
74 = SPORT UTILITY 4-DR

ENGINE
ERH = ENGINE - 4.0L
POWER TECH I-6
EVA = ENGINE- 4.7L V8 MPI

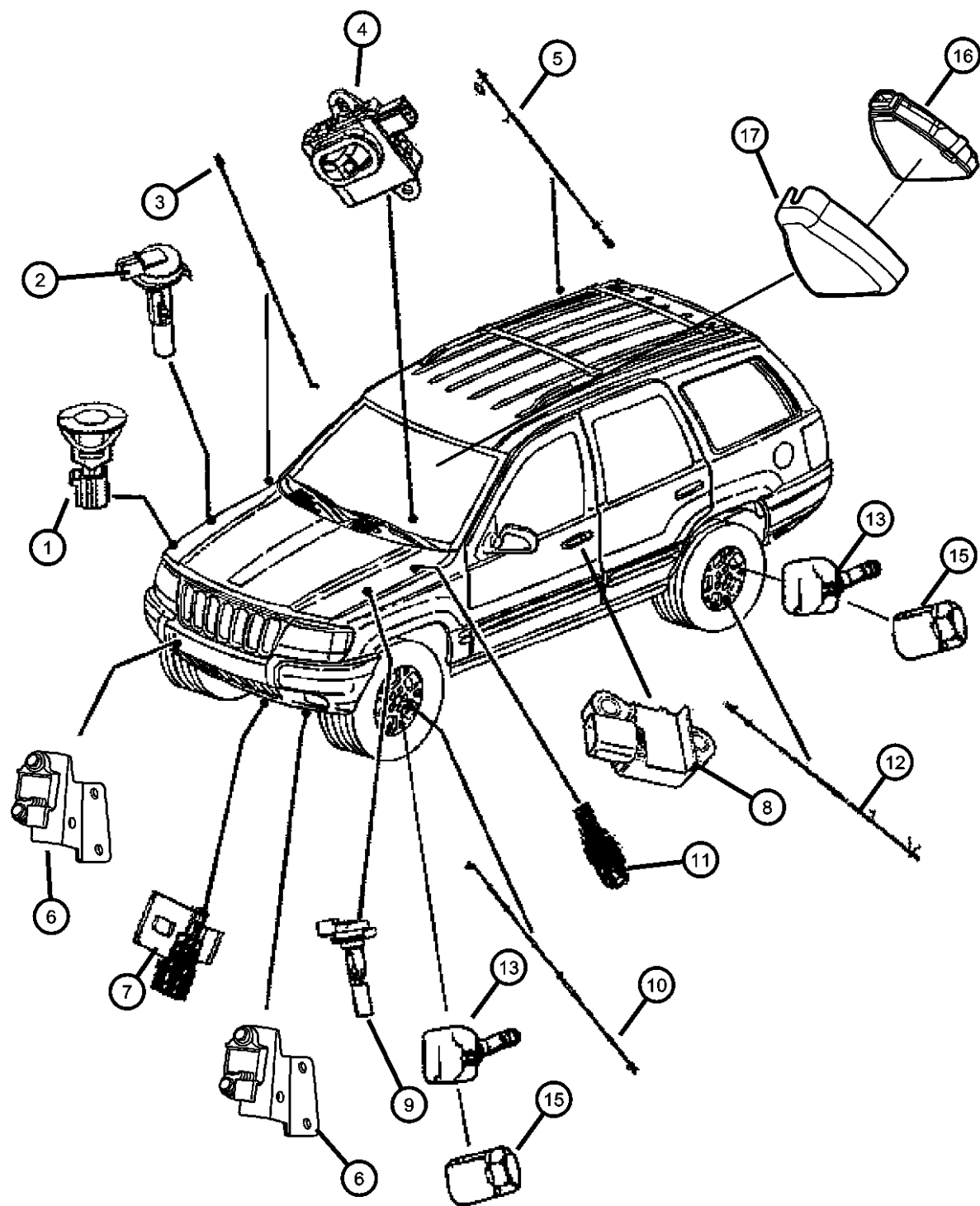
TRANSMISSION
DGK = TRANSMISSION - 4-SPD.
AUTOMATIC, 42RE
DGG = TRANSMISSION-5SPD
AUTOMATIC 5-45RFE
DGO = ALL AUTOMATIC
TRANSMISSIONS

AR = use ase required - = Non illustrated part

2001 WJ

Sensors Body
Figure 8-620

ITEM	PART NUMBER	QTY	LINE	SERIES	BODY	ENGINE	TRANS	TRIM	DESCRIPTION
------	-------------	-----	------	--------	------	--------	-------	------	-------------



17	56041509AA	1							COVER, Sensor, (NOT REQUIRED)
-18	56041509AA	1							BRACKET, Windshield, (NOT REQUIRED)

GRAND CHEROKEE (WJ)

SERIES LINE
H = Laredo T = JEEP - 2WD
P = Limited J = JEEP - 4WD

BODY
74 = SPORT UTILITY 4-DR

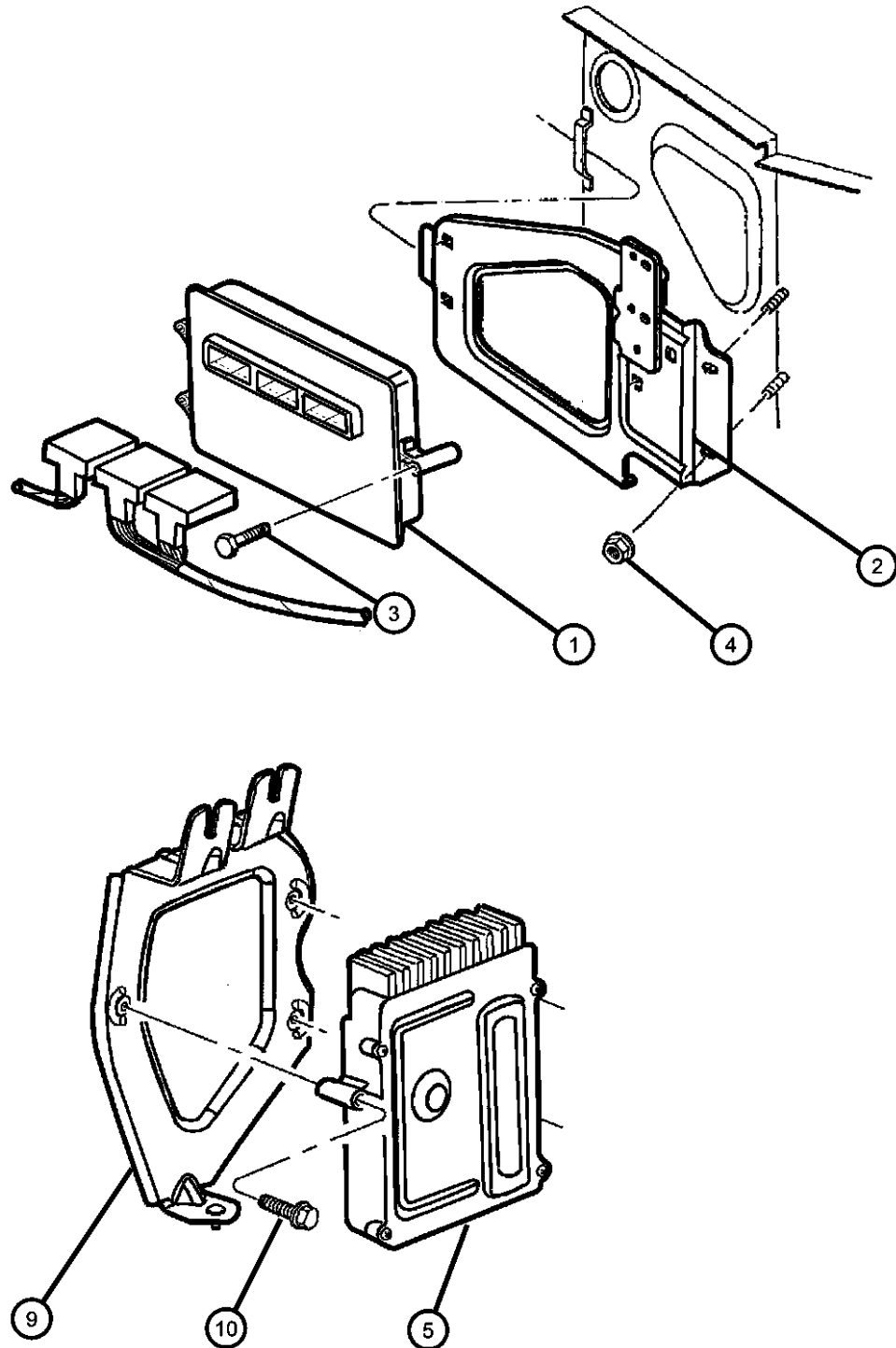
ENGINE
ERH = ENGINE - 4.0L
POWER TECH I-6
EVA = ENGINE- 4.7L V8 MPI

TRANSMISSION
DGK = TRANSMISSION - 4-SPD.
AUTOMATIC, 42RE
DGQ = TRANSMISSION-5SPD
AUTOMATIC 5-45RFE
DGO = ALL AUTOMATIC
TRANSMISSIONS

AR = use ase required - = Non illustrated part

2001 WJ

**JTEC Modules and Solenoids
Figure 8-710**



ITEM	PART NUMBER	QTY	LINE	SERIES	BODY	ENGINE	TRANS	TRIM	DESCRIPTION
ER0=4.0L Engine EVA=4.7L Power Tech Engine EV0=4.7L Engine DG0=Automatic Transmission DGQ= Automatic Transmission 5 Speed Automatic DGK=Automatic Transmission 4 Speed DG4=Automatic Transmission Multi-Speed									
1									MODULE, Powertrain Control
	56041783AA	1				ER0	DG0		w/Federal Emissions
	56041784AA	1				ER0	DG0		w/California Emissions
	56044690AA	1	J			EVA	DG0		w/U.S. 50 State Emissions
		1				EVA	DG0		w/U.S. 50 State Emissions
	56044691AA	1	T			EVA	DG0		w/U.S. 50 State Emissions
2	56028139AB	1				ER0, EV0	DG0		BRACKET, Control Unit
3	06035884	3							SCREW
4	06503102	2							NUT AND WASHER, Hex Nut-Coned Washer, M6 x 1.00
5	56041504AE	1				EV0	DGQ		MODULE, Transmission Control
-6									SOLENOID, Transmission
	04799934AD	1	T				DGQ		
		1	J				DGQ		
-7	04617210	1	T				DGK		SOLENOID, Transmission Governor
-8	52118500AB	1	T				DGK		SOLENOID, Transmission Overdrive
9									BRACKET, Control Unit
	56041045	1					DG4		
		1					DGQ		
10	06035884	3							SCREW
-11	06503825	3							NUT AND WASHER, Hex Nut-Coned Washer, M6 x 1.00

GRAND CHEROKEE (WJ)

SERIES	LINE
H = Laredo	T = JEEP - 2WD
P = Limited	J = JEEP - 4WD

BODY
74 = SPORT UTILITY 4-DR

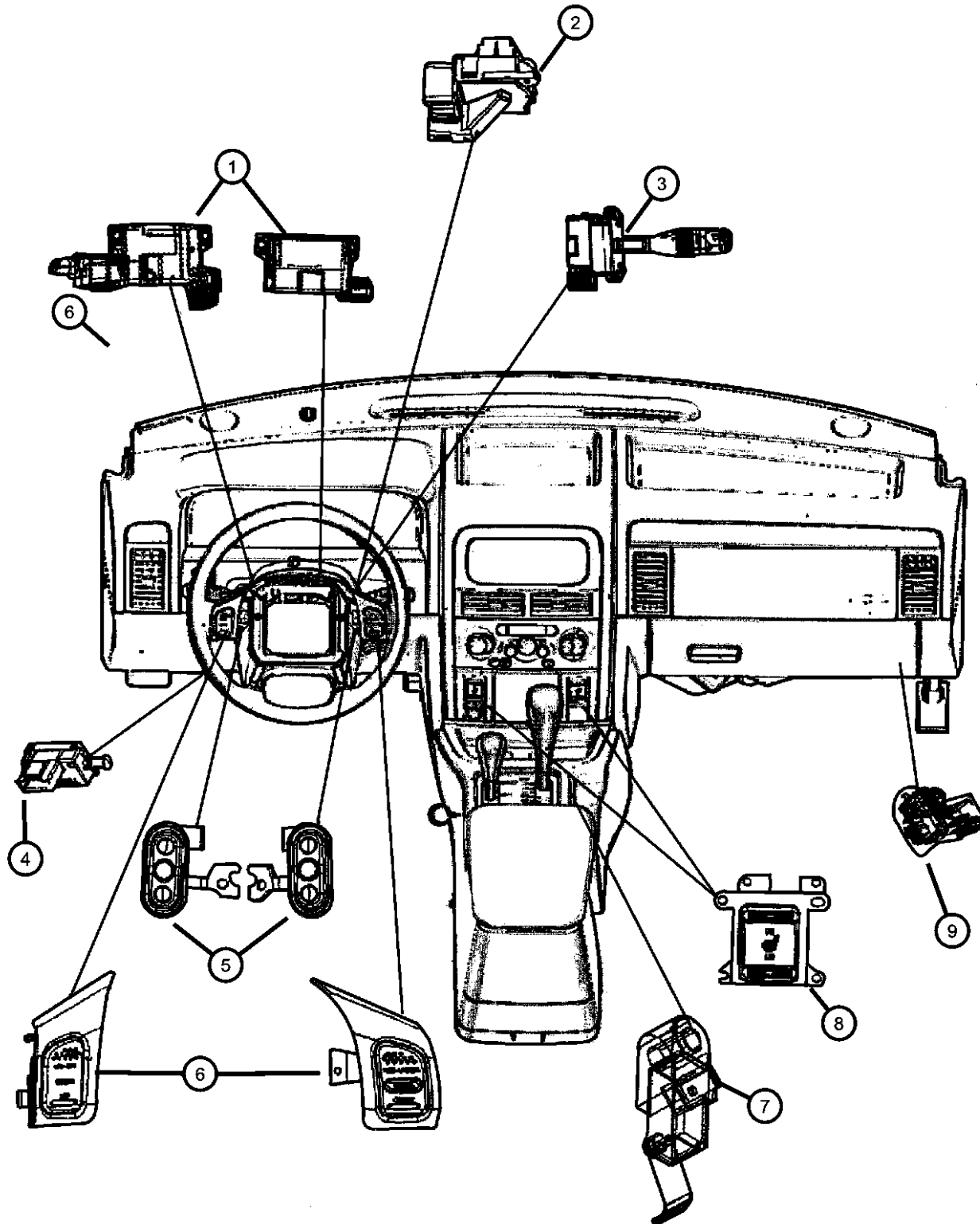
ENGINE
ERH = ENGINE - 4.0L
POWER TECH I-6
EVA = ENGINE- 4.7L V8 MPI

TRANSMISSION
DGK = TRANSMISSION - 4-SPD.
AUTOMATIC, 42RE
DGQ = TRANSMISSION-5SPD
AUTOMATIC 5-45RFE
DGO = ALL AUTOMATIC
TRANSMISSIONS

AR = use ase required - = Non illustrated part

2001 WJ

Switches Instrument Panel and Console
Figure 8-805



ITEM	PART NUMBER	QTY	LINE	SERIES	BODY	ENGINE	TRANS	TRIM	DESCRIPTION
1	56042299AG	1							SWITCH, Multifunction Without Auto Headlamps & without Fog Lamps, Left Side
	56042300AG	1							Without Auto Headlamps & with Fog Lamps, Left Side
	56042301AG	1							With Auto Headlamps & without Fog Lamps, Left Side
	56042302AG	1							Auto Headlamps & Fog Lamps, Left Side
	56042303AD	1							Right Side
2	56042476AC	1							SWITCH, Ignition
3	56042476AC	1							SWITCH, Wiper and Washer, See Multifunction Switch, (NOT SERVICED)
4	04671336	1							SWITCH, Stop Lamp
5									SWITCH, Remote Radio
	56042312AB	1			P				Right
		1			H				Right
	56042313AB	1			P				Left
		1			H				Left
6									SWITCH, Speed Control
	56042310AC	1							Right
	56042311AC	1							Left
7	52127960	1							SWITCH, Parking Brake
8									SWITCH, Heated Seat
	56033017AB	1			P				Right
	56033019AB	1			P				Left
9	04565022	1							SWITCH AND LAMP, Glove Box

GRAND CHEROKEE (WJ)

SERIES LINE
H = Laredo T = JEEP - 2WD
P = Limited J = JEEP - 4WD

BODY
74 = SPORT UTILITY 4-DR

ENGINE
ERH = ENGINE - 4.0L
POWER TECH I-6
EVA = ENGINE- 4.7L V8 MPI

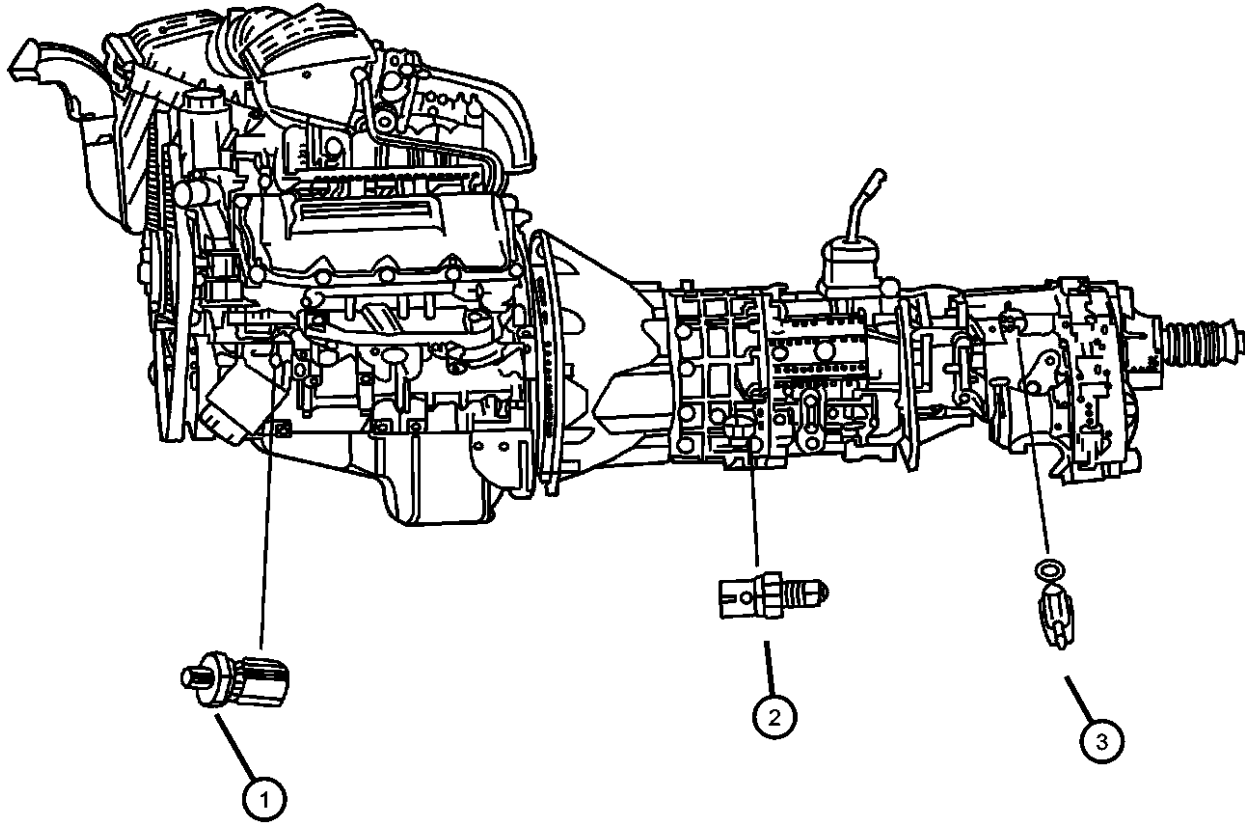
TRANSMISSION
DGK = TRANSMISSION - 4-SPD.
AUTOMATIC, 42RE
DQG = TRANSMISSION-5SPD
AUTOMATIC 5-45RFE
DGO = ALL AUTOMATIC
TRANSMISSIONS

AR = use ase required - = Non illustrated part

2001 WJ

**Switches Drivetrain
Figure 8-810**

ITEM	PART NUMBER	QTY	LINE	SERIES	BODY	ENGINE	TRANS	TRIM	DESCRIPTION
[EV0] = 4.7L Engine									
[DGK] =4 Speed Automatic Transmission									
1	56028807AA	1				EV0			SENDING UNIT, Oil Pressure
2	03747361	1	T				DGK		SWITCH, Neutral, Safety, Back Up
		1	J				DGK		
3	56006755	1	J			EV0			SWITCH, Transfer Case Mode



GRAND CHEROKEE (WJ)

SERIES

H = Laredo
P = Limited

LINE

T = JEEP - 2WD
J = JEEP - 4WD

BODY

74 = SPORT UTILITY 4-DR

ENGINE

ERH = ENGINE - 4.0L
POWER TECH I-6
EVA = ENGINE- 4.7L V8 MPI

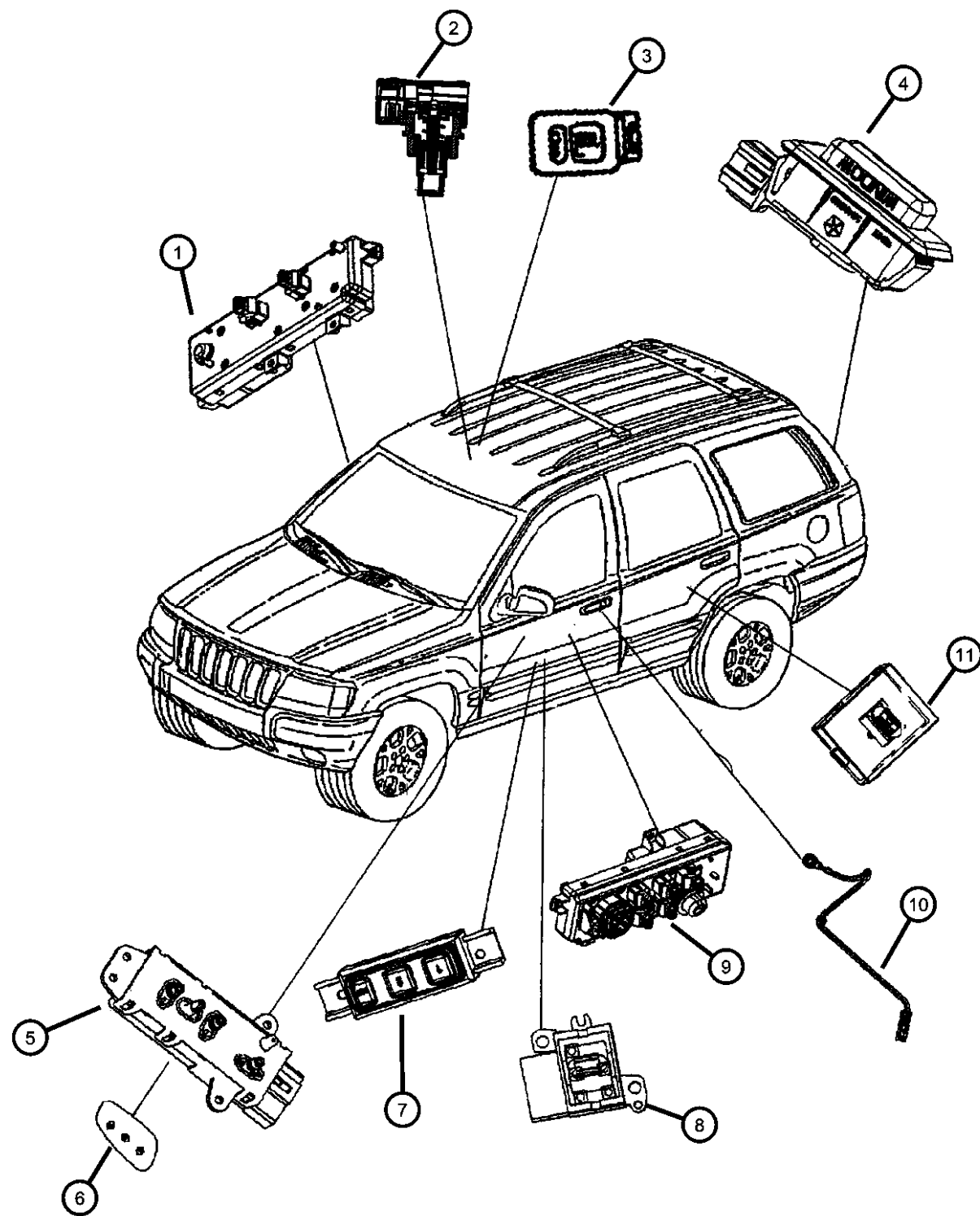
TRANSMISSION

DGK = TRANSMISSION - 4-SPD.
AUTOMATIC,42RE
DGQ = TRANSMISSION-5SPD
AUTOMATIC 5-45RFE
DGO = ALL AUTOMATIC
TRANSMISSIONS

AR = use ase required - = Non illustrated part

2001 WJ

Switches Body
Figure 8-815



ITEM	PART NUMBER	QTY	LINE	SERIES	BODY	ENGINE	TRANS	TRIM	DESCRIPTION
1									SWITCH, Door Module, Keyless Entry Module Serviced w/Passenger Door Switch Module (Except JAPAN)
	5HB62DX9AA	1		H					Black, Right
		1		P					Black, Right
	5HB62WL5AA	1		P					[L5], Right
		1		H					[L5], Right
	5HB62XT5AA	1		P					[T5], Right
		1		H					[T5], Right
2	04685445	1							SWITCH, Reading Lamp
3	56042064	1							SWITCH, 1 Gang
4									SWITCH, Flipper Window
	56042450AB	1		H					
		1		P					
5									SWITCH, Seat
	04373666	2							
	04601756AB	1							With Heated, Memory, Right
	04601757AB	1							With Heated, Memory, Left
6									KNOB, Power Seat Switch
	04607042	1							Right
	04607043	1							Left
	04607044	1							Recliner, Right
	04607045	1							Recliner, Left
7	56042291AB	1		P					SWITCH, Memory Selector
8	56042387	2							SWITCH, Lumbar Control
9									SWITCH, Door Module, Keyless Entry Module Serviced w/Passenger Door Switch Module (Except JAPAN)
	5HB61DX9AA	1		H					Black, Left
	5HB61WL5AA	1		P					[L5], Left
		1		H					[L5], Left
	5HB61XT5AA	1		P					[T5], Left
		1		H					[T5], Left
10	55136557AA	1							SWITCH, Security Alarm

GRAND CHEROKEE (WJ)

SERIES LINE
H = Laredo T = JEEP - 2WD
P = Limited J = JEEP - 4WD

BODY
74 = SPORT UTILITY 4-DR

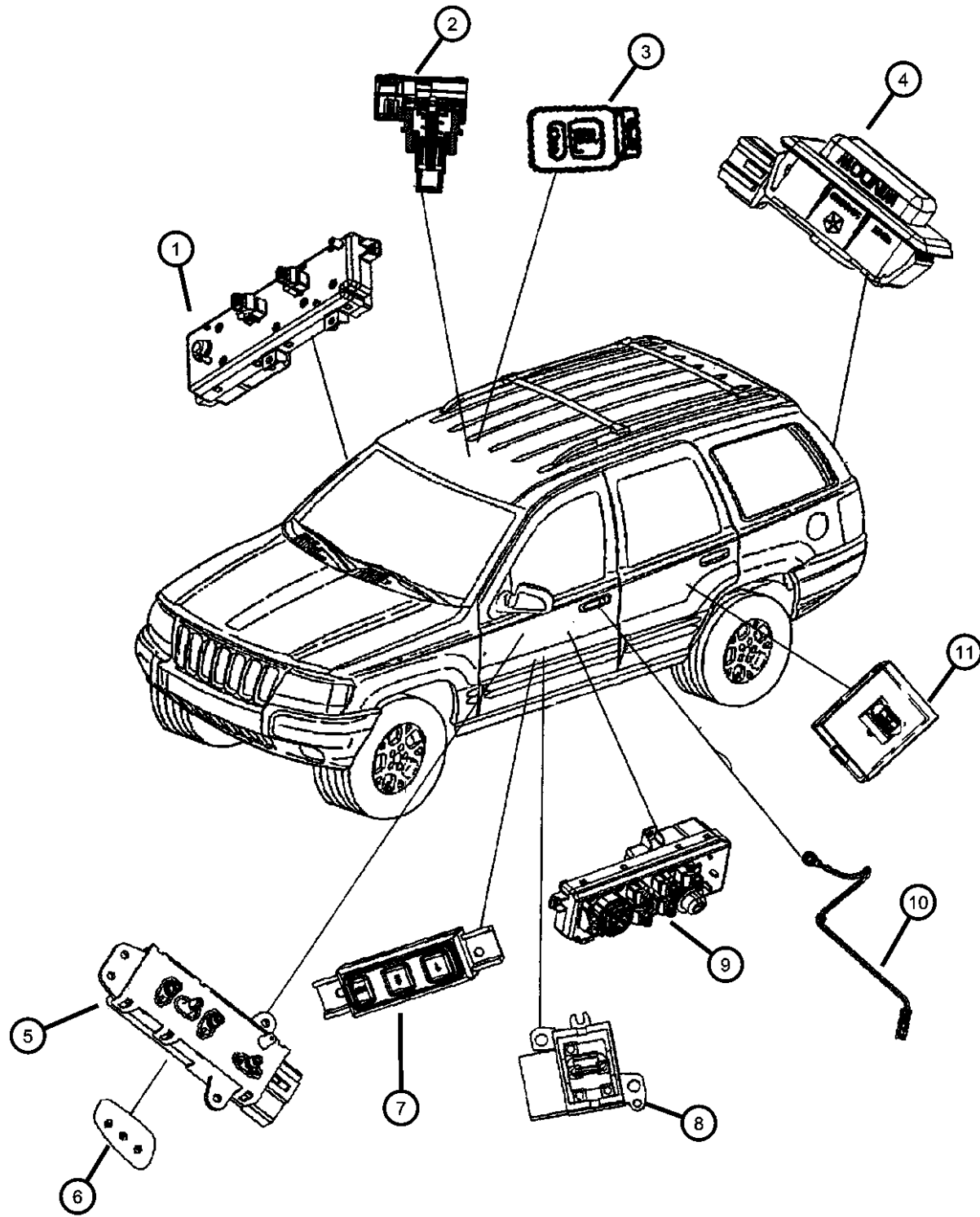
ENGINE
ERH = ENGINE - 4.0L
POWER TECH I-6
EVA = ENGINE- 4.7L V8 MPI

TRANSMISSION
DGK = TRANSMISSION - 4-SPD.
AUTOMATIC, 42RE
DGQ = TRANSMISSION-5SPD
AUTOMATIC 5-45RFE
DGO = ALL AUTOMATIC
TRANSMISSIONS

AR = use ase required - = Non illustrated part

2001 WJ

Switches Body
Figure 8-815



ITEM	PART NUMBER	QTY	LINE	SERIES	BODY	ENGINE	TRANS	TRIM	DESCRIPTION
11	55196424	1		H					SWITCH, Power Window
	5HB57DX9AA	1		P					Black, Right or Left, Rear Door
	5HB57WL5AA	1		P					[L5], Right or Left, Rear Door
	5HB57XT5AA	1		P					[T5], Right or Left, Rear Door
-12	56006315AB	1							SWITCH, Anti Lock Brake Accelerat, G-Switch
-13	06505364AA	2							BOLT, ABS Accel Switch Mounting

GRAND CHEROKEE (WJ)

SERIES LINE
H = Laredo T = JEEP - 2WD
P = Limited J = JEEP - 4WD

BODY
74 = SPORT UTILITY 4-DR

ENGINE
ERH = ENGINE - 4.0L
POWER TECH I-6
EVA = ENGINE- 4.7L V8 MPI

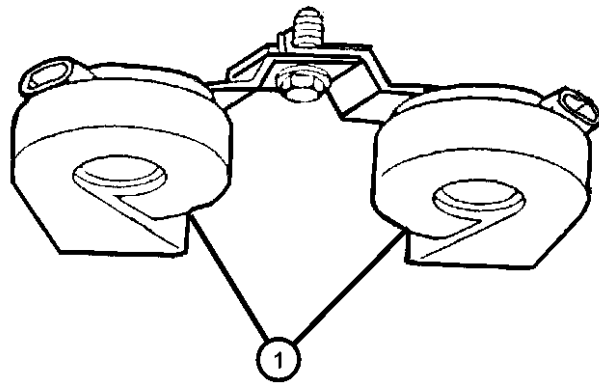
TRANSMISSION
DGK = TRANSMISSION - 4-SPD.
AUTOMATIC, 42RE
DGQ = TRANSMISSION-5SPD
AUTOMATIC 5-45RFE
DGO = ALL AUTOMATIC
TRANSMISSIONS

AR = use ase required - = Non illustrated part

2001 WJ

Horns
Figure 8-910

ITEM	PART NUMBER	QTY	LINE	SERIES	BODY	ENGINE	TRANS	TRIM	DESCRIPTION
1	56042315AD	1							HORN, Duel



GRAND CHEROKEE (WJ)

SERIES

LINE

BODY

ENGINE

TRANSMISSION

H = Laredo

T = JEEP - 2WD

74 = SPORT UTILITY 4-DR

ERH = ENGINE - 4.0L

DGK = TRANSMISSION - 4-SPD.

P = Limited

J = JEEP - 4WD

POWER TECH I-6

AUTOMATIC, 42RE

EVA = ENGINE- 4.7L V8 MPI

DGQ = TRANSMISSION-5SPD

AUTOMATIC 5-45RFE

DGO = ALL AUTOMATIC

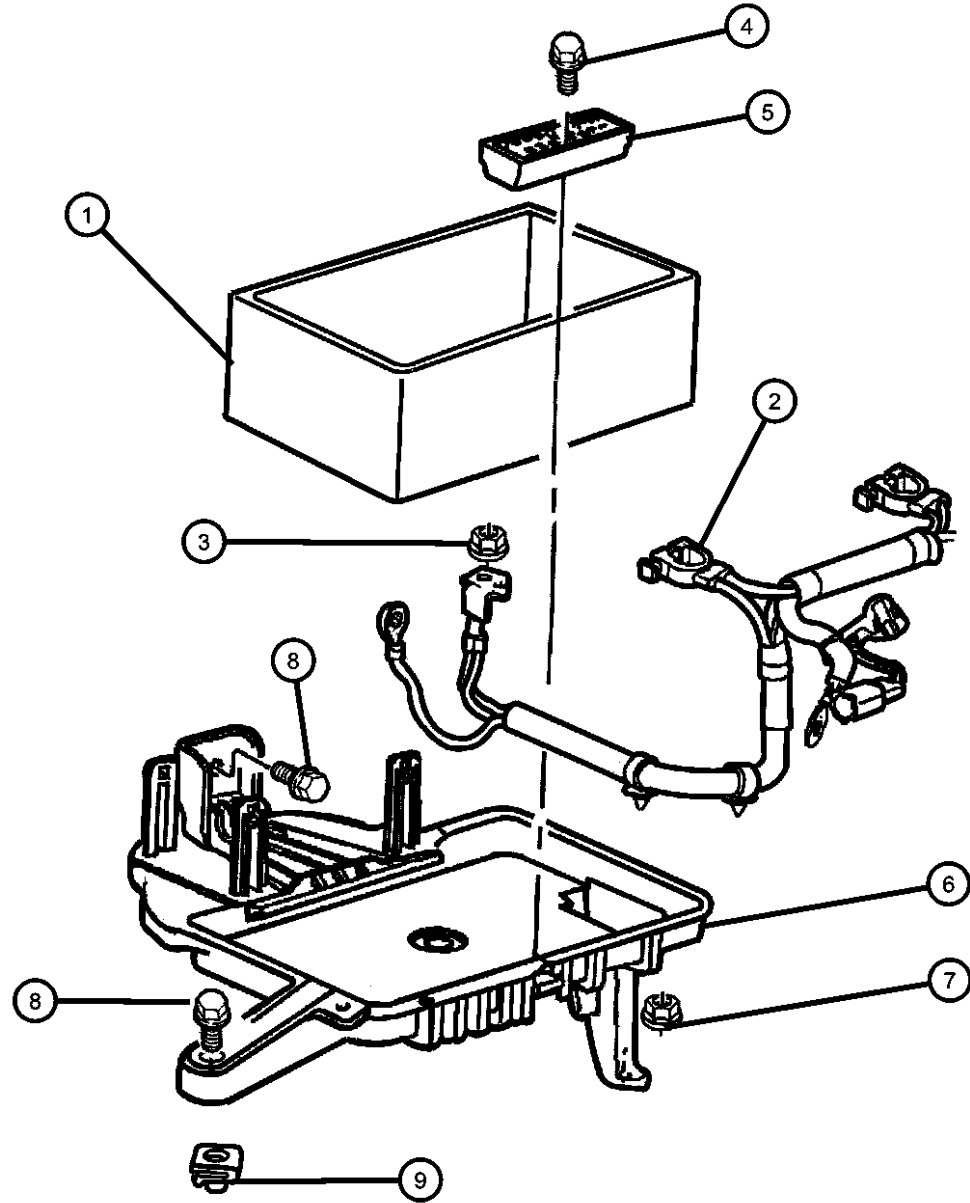
TRANSMISSIONS

AR = use ase required - = Non illustrated part

2001 WJ

Battery Tray & Cables
Figure 8-1010

ITEM	PART NUMBER	QTY	LINE	SERIES	BODY	ENGINE	TRANS	TRIM	DESCRIPTION
ER0=4.0L Engine EVO=4.7L Engine									
1	56041035	1							COVER, Battery
2	56044767AB	1				ER0			WIRING, Alternator and Battery
	56044768AB	1				EVO			
3	06101808	2				ER0, EVO			NUT, Hex, M6x1
4	06101766	1				ER0, EVO			SCREW AND WASHER
5	55136959AB	1				ER0, EVO			BRACKET, Battery Hold Down
6	55135690AD	1				ER0, EVO			SUPPORT, Battery
	BA065600EX								Mopar Power Pro 6
7	06504030	1							NUT AND WASHER, Hex, M6x1
8	06100568	4							BOLT AND WASHER, Implement Attaching
9	06101712	1				ER0, EVO			NUT, U, M6x1



GRAND CHEROKEE (WJ)

SERIES LINE
H = Laredo T = JEEP - 2WD
P = Limited J = JEEP - 4WD

BODY
74 = SPORT UTILITY 4-DR

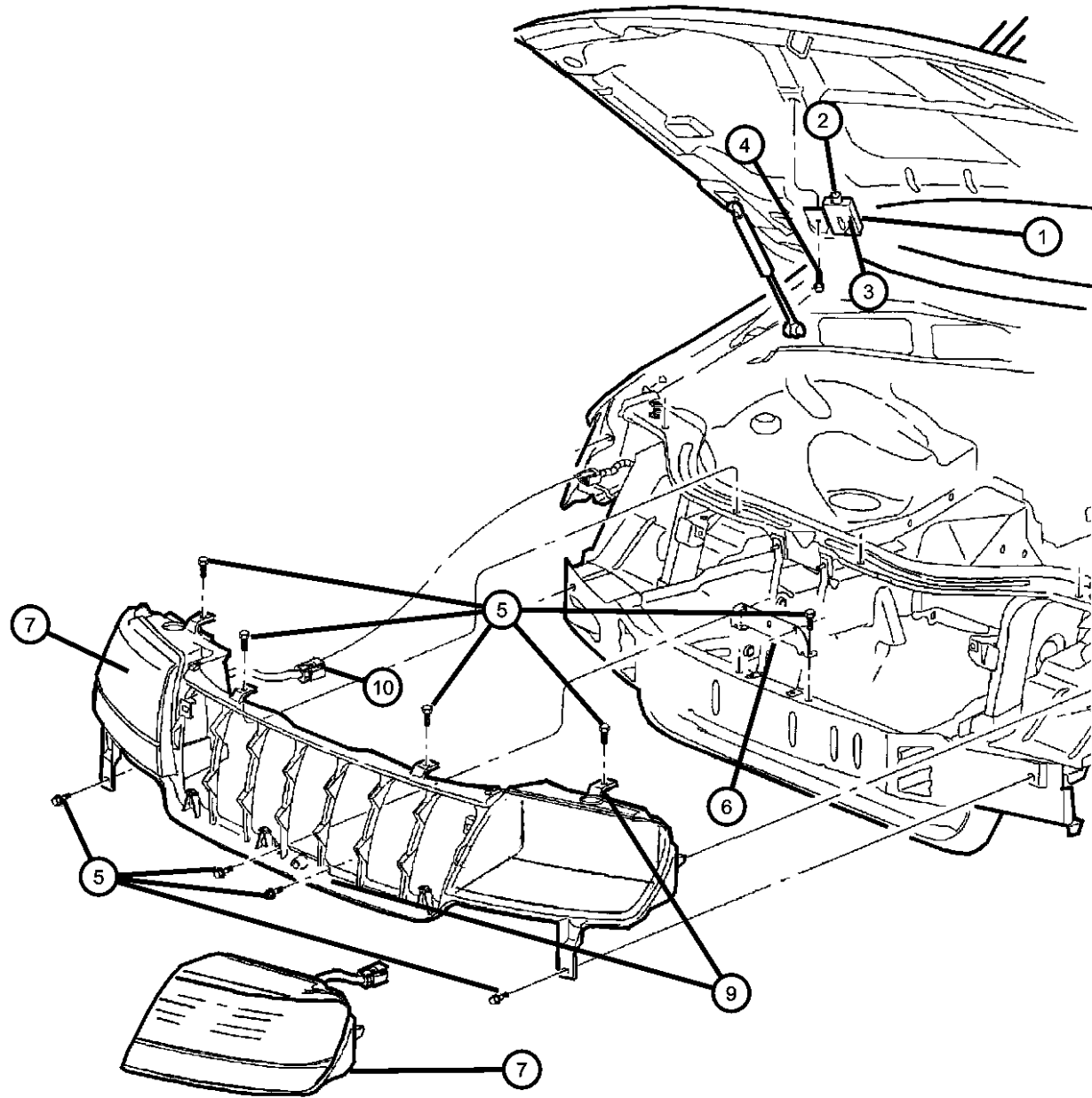
ENGINE
ERH = ENGINE - 4.0L
POWER TECH I-6
EVA = ENGINE- 4.7L V8 MPI

TRANSMISSION
DGK = TRANSMISSION - 4-SPD.
AUTOMATIC, 42RE
DGQ = TRANSMISSION-5SPD
AUTOMATIC 5-45RFE
DGO = ALL AUTOMATIC
TRANSMISSIONS

AR = use ase required - = Non illustrated part

2001 WJ

Lamp - Front End
Figure 8-1110



ITEM	PART NUMBER	QTY	LINE	SERIES	BODY	ENGINE	TRANS	TRIM	DESCRIPTION
	ER0=4.0L Engine EVO=4.7L Engine								
1	56021441	1							LAMP, Underhood
2	L0000561	1							BULB, 561
3	04897446AA	1							LENS, Lamp Module
4	06505815AA	2				ER0, EVO			SCREW
5	06503259	2							SCREW, Tapping, M6x1x20
6	55155706AB	1							BRACKET, Headlamp Panel
7									LAMP, Headlamp Park And Turn
	55155128AB	1		H					Laredo w/o Headlamp Leveling, Right
	55155129AB	1		H					Laredo w/o Headlamp Leveling, Left
	55155552AB	1		P					Limited w/o Headlamp Leveling, Right
	55155553AB	1		P					Limited w/o Headlamp Leveling, Left
-8	55136788AA	1							PLATE, Headlamp Mounting
9									SUPPORT, Headlamp Panel
	55155498	1		H					
		1		P					
10	05012604AA	1		H					WIRING, Headlamp
-11	56042395	1		H					SENSOR, Ambient Temperature
-12									RETAINER, Headlamp Receptical
	05012684AA	1		H					Right
	05012685AA	1		H					Left
-13	06504483	2		P					SCREW, Large Round Washer
-14	06033014	1		H					NUT
-15	L0009006XS	1		H					BULB, Headlamp, 9006XS
-16	L09005XSLL	1		H					BULB, Headlamp
-17	L0003157	1							BULB, 3157
-18	09421330	2		H					BULB, PC194
-19	00L00194NA	2							BULB, 194NA
-20	00L03157NA	1		P					BULB, 3157 NAK
	L0003157ST								SilverStar
-21									LAMP, Fog

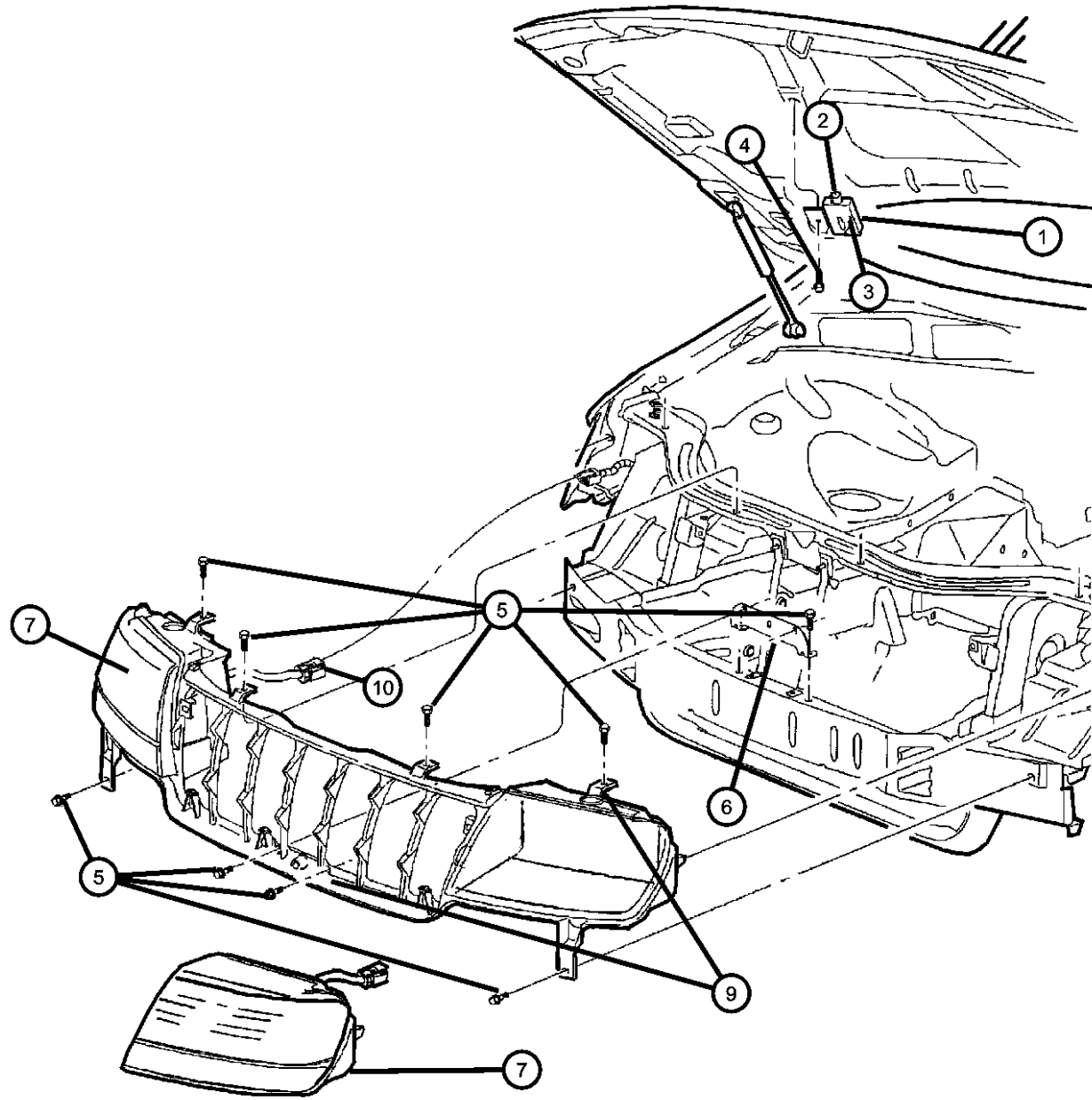
GRAND CHEROKEE (WJ)

SERIES	LINE	BODY	ENGINE	TRANSMISSION
H = Laredo	T = JEEP - 2WD	74 = SPORT UTILITY 4-DR	ERH = ENGINE - 4.0L POWER TECH I-6	DGK = TRANSMISSION - 4-SPD. AUTOMATIC, 42RE
P = Limited	J = JEEP - 4WD		EVA = ENGINE- 4.7L V8 MPI	DGQ = TRANSMISSION-5SPD AUTOMATIC 5-45RFE DGO = ALL AUTOMATIC TRANSMISSIONS

AR = use ase required - = Non illustrated part

2001 WJ

Lamp - Front End
Figure 8-1110



ITEM	PART NUMBER	QTY	LINE	SERIES	BODY	ENGINE	TRANS	TRIM	DESCRIPTION
	55155136	1		H					Right
		1		P					Right
	55155137	1		P					Left
		1		H					Left
-22	L0009055	AR							BULB, 9055

GRAND CHEROKEE (WJ)

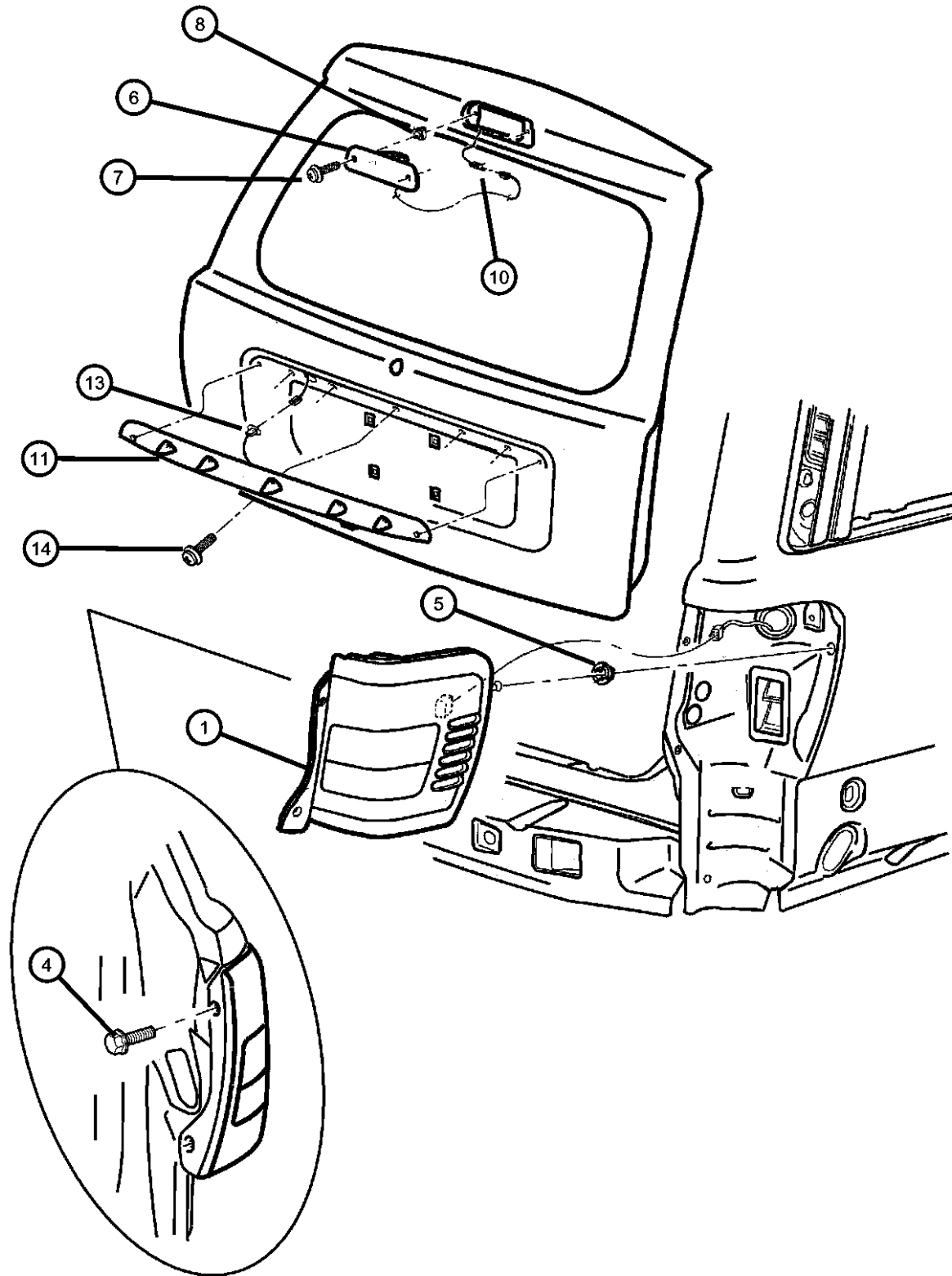
SERIES	LINE	BODY	ENGINE	TRANSMISSION
H = Laredo	T = JEEP - 2WD	74 = SPORT UTILITY 4-DR	ERH = ENGINE - 4.0L POWER TECH I-6	DGK = TRANSMISSION - 4-SPD. AUTOMATIC, 42RE
P = Limited	J = JEEP - 4WD		EVA = ENGINE- 4.7L V8 MPI	DGQ = TRANSMISSION-5SPD AUTOMATIC 5-45RFE DGO = ALL AUTOMATIC TRANSMISSIONS

AR = use ase required - = Non illustrated part

2001 WJ

Lamp - Rear End
Figure 8-1120

ITEM	PART NUMBER	QTY	LINE	SERIES	BODY	ENGINE	TRANS	TRIM	DESCRIPTION
1									LAMP, Tail Stop Turn
	55155138AC	1							Right
	55155139AC	1							Left
-2	L0003157	1							BULB, 3157
-3	04676589	3							SOCKET, Board
4	04676589	3							SCREW, .190-16 X .750, (NOT SERVICED)
5	06505386AA	2							NUT, Plastic
6	55155140	1							LAMP, High Mounted Stop
7	06036163AA	2							SCREW, .19-16x1.00
8	06505703AA	2							NUT, Plastic Snap-in
-9	00154883AA	1							BULB, 921
10	56042544	1							WIRING, High Mounted Stop Lamp
11									HOUSING, Lamp
	05012553AB	1			H				Laredo
	05012554AA	1			H				Limited
-12	05012548AA	1			P				LAMP, License
13	56042545AD	1			H				WIRING, License Lamp
14	00154228	5							SCREW, Tapping, .19-16x.625
-15	56042450AB	1			H				SWITCH, Flipper Window
-16	L0000168	1			P				BULB, 168



GRAND CHEROKEE (WJ)

SERIES LINE
H = Laredo T = JEEP - 2WD
P = Limited J = JEEP - 4WD

BODY
74 = SPORT UTILITY 4-DR

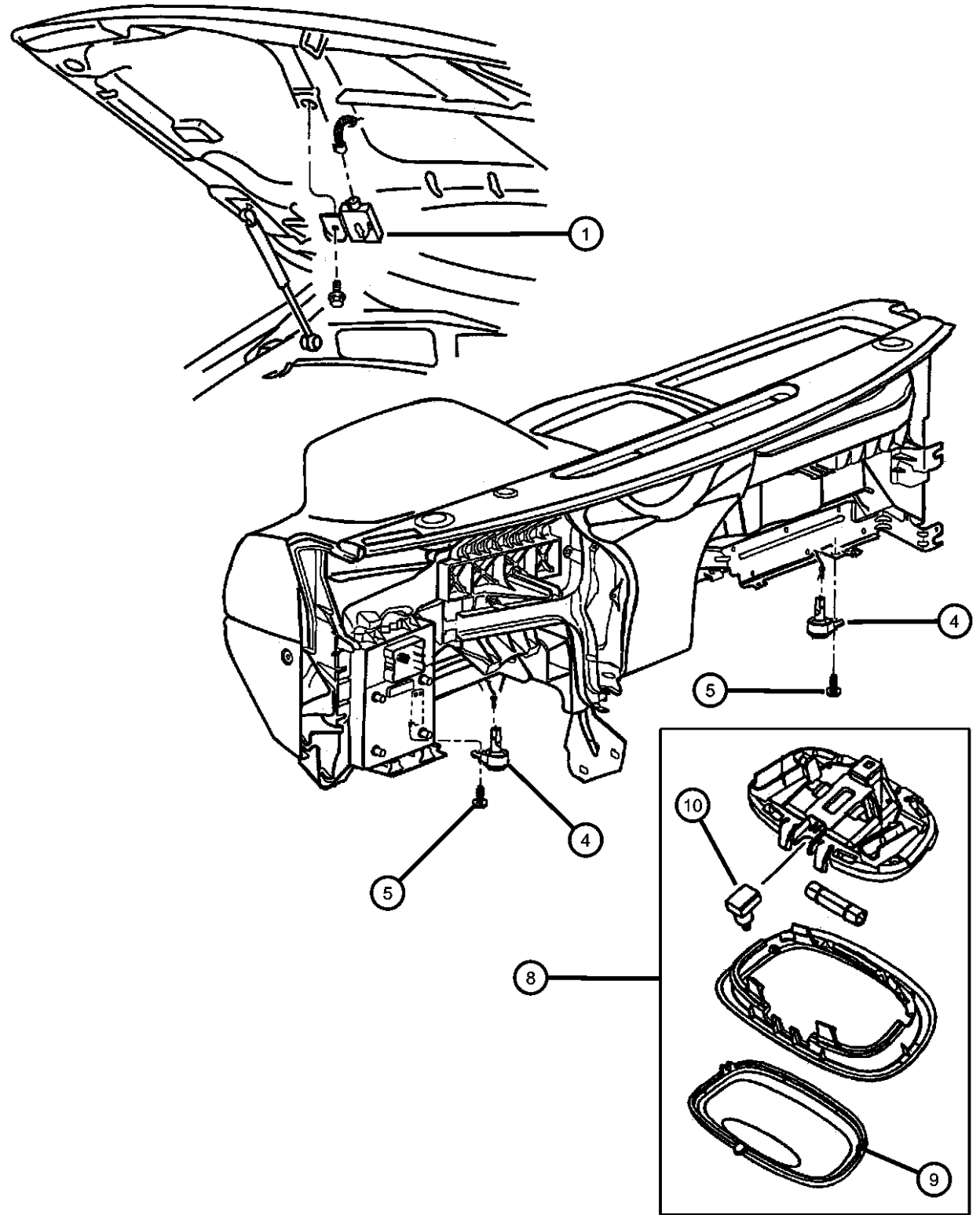
ENGINE
ERH = ENGINE - 4.0L
POWER TECH I-6
EVA = ENGINE- 4.7L V8 MPI

TRANSMISSION
DGK = TRANSMISSION - 4-SPD.
AUTOMATIC, 42RE
DGQ = TRANSMISSION-5SPD
AUTOMATIC 5-45RFE
DGO = ALL AUTOMATIC
TRANSMISSIONS

AR = use ase required - = Non illustrated part

2001 WJ

Lamp - Courtesy - Dome - Reading
Figure 8-1130



ITEM	PART NUMBER	QTY	LINE	SERIES	BODY	ENGINE	TRANS	TRIM	DESCRIPTION
1	56021441	1							LAMP, Underhood, with Switch
-2	04897446AA	1							LENS, Lamp Module, Underhood
-3	L0000561	1							BULB, 561
4	56042559AA	2							LAMP, Courtesy, I/panel Lower
5	06101946	3							SCREW, Tapping
-6	L0000161	1							BULB, 161, Ash Receiver
-7	04778794	1							LENS, Illuminated VisorRight & Left
8									LAMP, Cargo
	5FT10TL2	1							Beige (Rear Overhead Console) [AZ]
	5FT10XT5	1							Tan/Agate (Rear Overhead Console) [T5]
9	55196755AA	1							LENS, Cargo Lamp
10									LENS, Lamp Module, Grab Handle
	55196759AA	1							Left Rear
	55196760AA	1							Right Rear
-11	04685445	1							SWITCH, Reading LampRear Cargo
-12	04437661	4							LAMP, Message Center
-13									LAMP, Door
	56005076	1			P				Right
	56005077	1			P				Left

GRAND CHEROKEE (WJ)

SERIES LINE
H = Laredo T = JEEP - 2WD
P = Limited J = JEEP - 4WD

BODY
74 = SPORT UTILITY 4-DR

ENGINE
ERH = ENGINE - 4.0L
POWER TECH I-6
EVA = ENGINE- 4.7L V8 MPI

TRANSMISSION
DGK = TRANSMISSION - 4-SPD.
AUTOMATIC, 42RE
DGQ = TRANSMISSION-5SPD
AUTOMATIC 5-45RFE
DGO = ALL AUTOMATIC
TRANSMISSIONS

AR = use ase required - = Non illustrated part

2001 WJ

Bulbs & Sockets
Figure 8-1140

ITEM	PART NUMBER	QTY	LINE	SERIES	BODY	ENGINE	TRANS	TRIM	DESCRIPTION
ER0=4.0L Engine									
EVA=4.7L Power Tech Engine V8									
1	L0003157	1							BULB, 3157
-2	00154883AA	1							BULB, 921
-3	L0000561	1							BULB, 561, Underhood
-4	09421330	2				H			BULB, PC194
-5	L0009006XS	1				H			BULB, Headlamp, 9006XS
-6	L09005XSL	1				H			BULB, Headlamp
-7	L0000161	1							BULB, 161, Ash Receiver
-8	L0000906	2							BULB, 906
-9	06501966	1							BULB, 74
-10	L0000192	2							BULB, 192
-11	L000PC74	1			H			ER0, EVA	BULB, PC74



GRAND CHEROKEE (WJ)

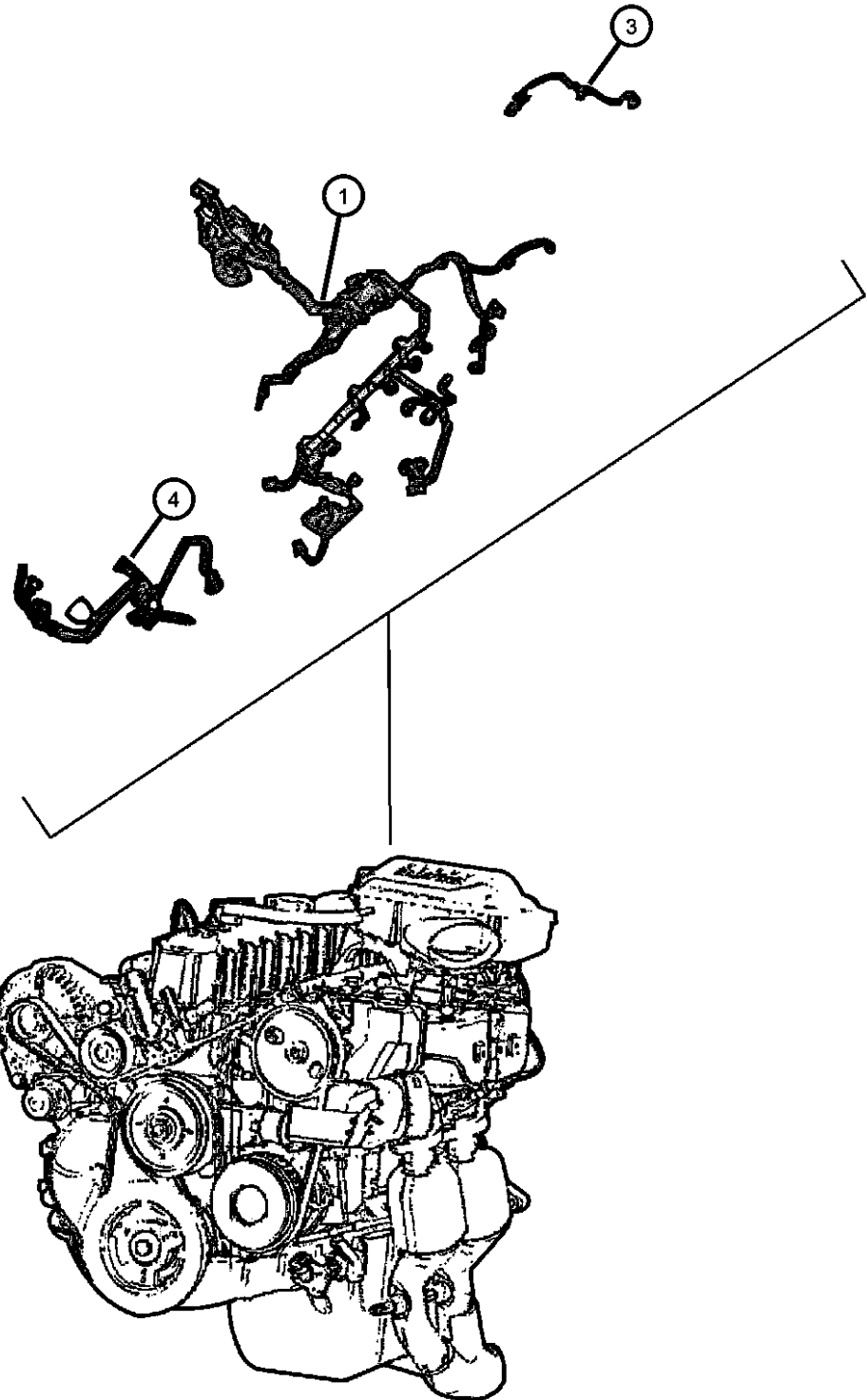
SERIES	LINE	BODY	ENGINE	TRANSMISSION
H = Laredo	T = JEEP - 2WD	74 = SPORT UTILITY 4-DR	ERH = ENGINE - 4.0L POWER TECH I-6	DGK = TRANSMISSION - 4-SPD. AUTOMATIC, 42RE
P = Limited	J = JEEP - 4WD		EVA = ENGINE- 4.7L V8 MPI	DGQ = TRANSMISSION-5SPD AUTOMATIC 5-45RFE DGO = ALL AUTOMATIC TRANSMISSIONS

AR = use ase required - = Non illustrated part

2001 WJ

**Wiring - Engine and Related Items 4.0L Engine
Figure 8-1210**

ITEM	PART NUMBER	QTY	LINE	SERIES	BODY	ENGINE	TRANS	TRIM	DESCRIPTION
------	-------------	-----	------	--------	------	--------	-------	------	-------------



Notes:
[ER0]=4.0L Engine
[DG0]=Automatic Transmission

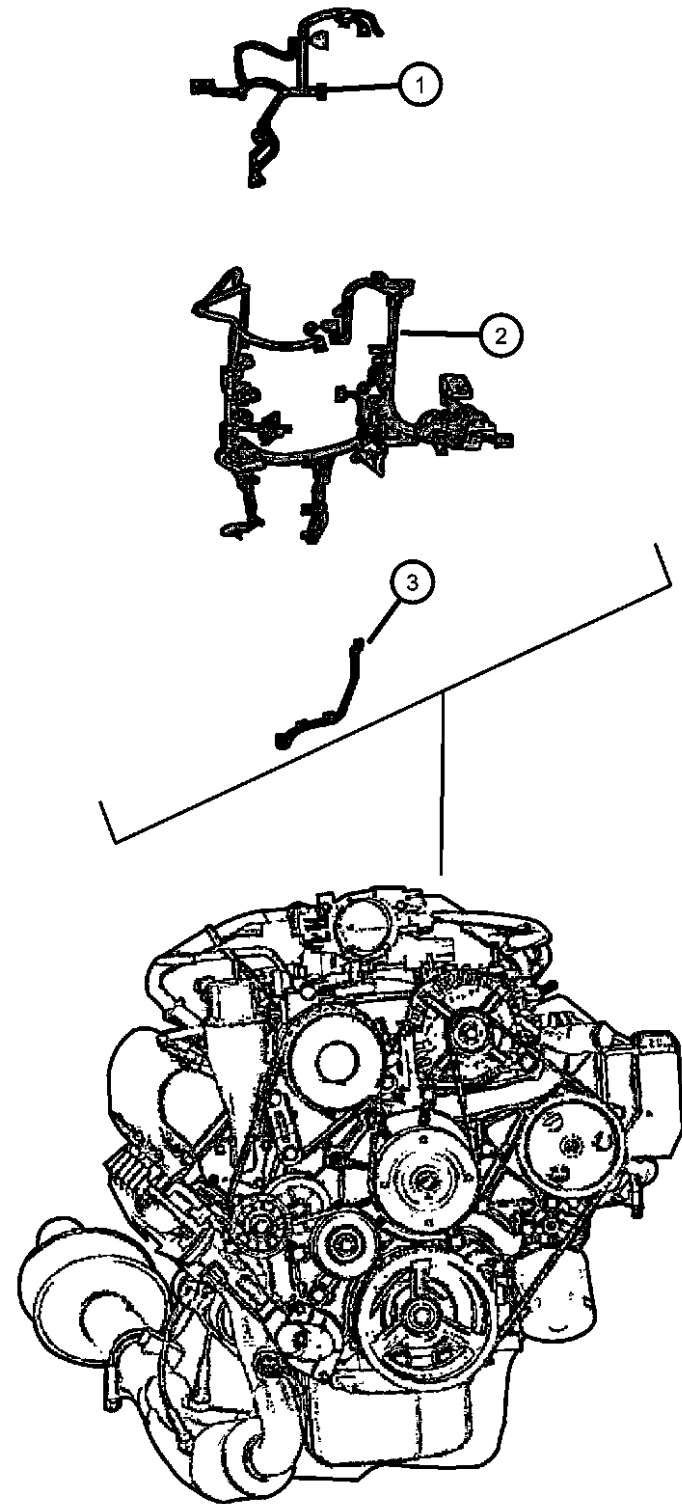
1	56044769AB	1				ER0	DG0		WIRING, Injector
-2	56008876	1							STRAP, Tie
3	56041438AA	1	J			ER0, EV0	DG0		WIRING, Transfer Case Jumper
4	56044767AB	1				ER0			WIRING, Alternator and Battery

GRAND CHEROKEE (WJ)

SERIES	LINE	BODY	ENGINE	TRANSMISSION
H = Laredo	T = JEEP - 2WD	74 = SPORT UTILITY 4-DR	ERH = ENGINE - 4.0L POWER TECH I-6	DGK = TRANSMISSION - 4-SPD. AUTOMATIC, 42RE
P = Limited	J = JEEP - 4WD		EVA = ENGINE- 4.7L V8 MPI	DGQ = TRANSMISSION-5SPD AUTOMATIC 5-45RFE
				DGO = ALL AUTOMATIC TRANSMISSIONS

AR = use ase required - = Non illustrated part

**Wiring - Engine and Related Items 4.7L Engine
Figure 8-1220**



ITEM	PART NUMBER	QTY	LINE	SERIES	BODY	ENGINE	TRANS	TRIM	DESCRIPTION
------	-------------	-----	------	--------	------	--------	-------	------	-------------

Notes:
 [EVA]=4.7L Power Tech Engine
 [EVC]=4.7L Power Tech HO V-8
 [EV0]=4.7L Engine
 [DG0]=Automatic Transmission

1	56044768AB	1				EV0			WIRING, Alternator and Battery
2	56044500AA	1	J			EVC	DG0		WIRING, Injector
	56044770AB	1				EVA	DG0		
3	56041438AA	1	J			ER0, EV0	DG0		WIRING, Transfer Case Jumper
-4	56008876	1							STRAP, Tie

GRAND CHEROKEE (WJ)

SERIES LINE
 H = Laredo T = JEEP - 2WD
 P = Limited J = JEEP - 4WD

BODY
 74 = SPORT UTILITY 4-DR

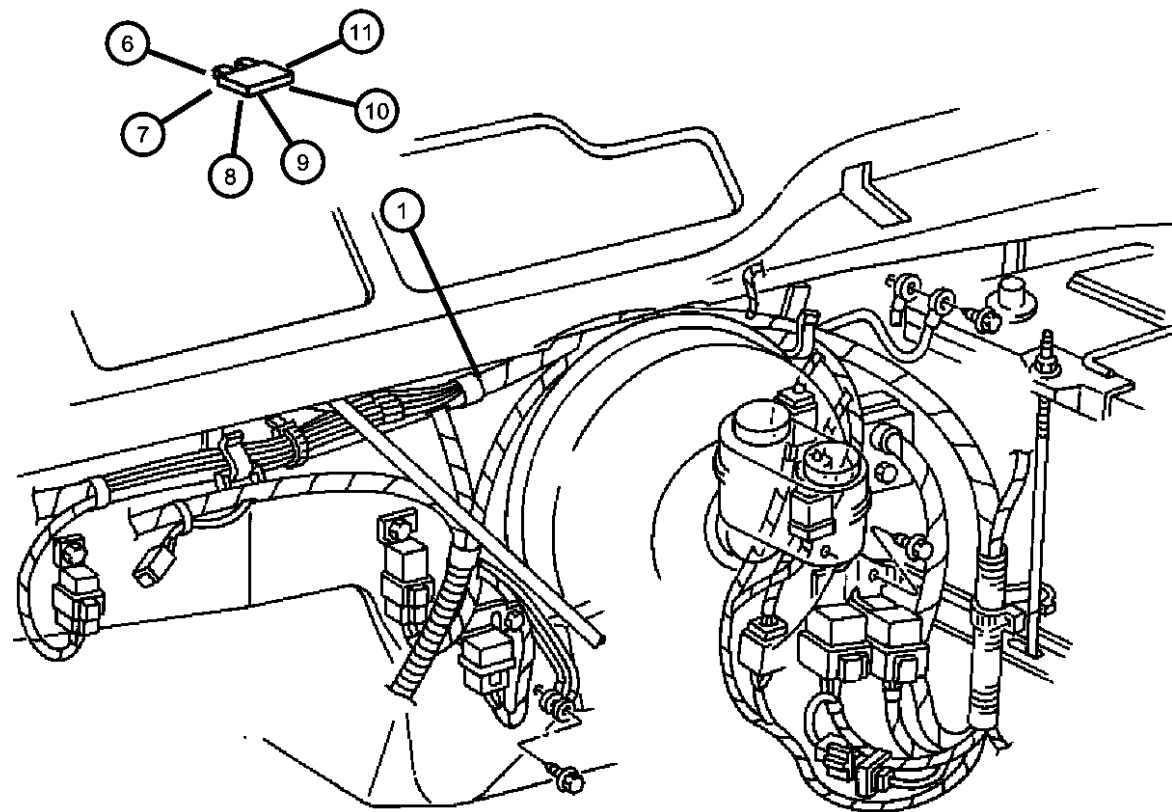
ENGINE
 ERH = ENGINE - 4.0L
 POWER TECH I-6
 EVA = ENGINE- 4.7L V8 MPI

TRANSMISSION
 DGK = TRANSMISSION - 4-SPD.
 AUTOMATIC, 42RE
 DGQ = TRANSMISSION-5SPD
 AUTOMATIC 5-45RFE
 DGO = ALL AUTOMATIC
 TRANSMISSIONS

AR = use ase required - = Non illustrated part

2001 WJ

**Wiring - Headlamp / Dash
Figure 8-1310**



ITEM	PART NUMBER	QTY	LINE	SERIES	BODY	ENGINE	TRANS	TRIM	DESCRIPTION
ER0=4.0L Engine EVO=4.7L Engine EVA=4.7L Power Tech Engine V8 EX0=3.0L/3.1L Turbo Diesel Engine									
1									WIRING, Headlamp to Dash
	56042207AH	1				ER0, EVO			4.0L & 4.7L Engines, Left
	56042822AE	1				EVA			4.7L Engine, Right
	56042924AC	1				ER0			4.0L Engine, Right
-2	04604235	2							BREAKER, Circuit
-3									COVER, Power Distribution Center
	05016946AA	1	U			ER0, EVO			
	05016947AA	1	J, T			EX0			
		1	U			EX0			
	05018470AA	1				EVA			
		1				ER0			
-4	04671168	2							RELAY, Mini
-5									RELAY, Electrical
	04848879AA	4				EVA			
		4				ER0			
		4	U			ER0, EVO			
6	000ATM10	2							FUSE, Mini, 10 AMP, Red
7	000ATM15	1							FUSE, Mini, 15 AMP, Light Blue
8	000ATM20	1							FUSE, Mini, 20 AMP, Yellow
9									FUSE CARTRIDGE, 30 Amp
	06102076AA	2				EVA			
		2				ER0			
		2	U			ER0, EVO			
10									FUSE CARTRIDGE, 40 Amp
	06102077AA	6				EVA			
		6				ER0			
		6	U			ER0, EVO			
11									FUSE CARTRIDGE, 50 Amp
	06102078AA	3	U			ER0, EVO			
		3				ER0			

GRAND CHEROKEE (WJ)

SERIES LINE
 H = Laredo T = JEEP - 2WD
 P = Limited J = JEEP - 4WD

BODY
 74 = SPORT UTILITY 4-DR

ENGINE
 ERH = ENGINE - 4.0L
 POWER TECH I-6
 EVA = ENGINE- 4.7L V8 MPI

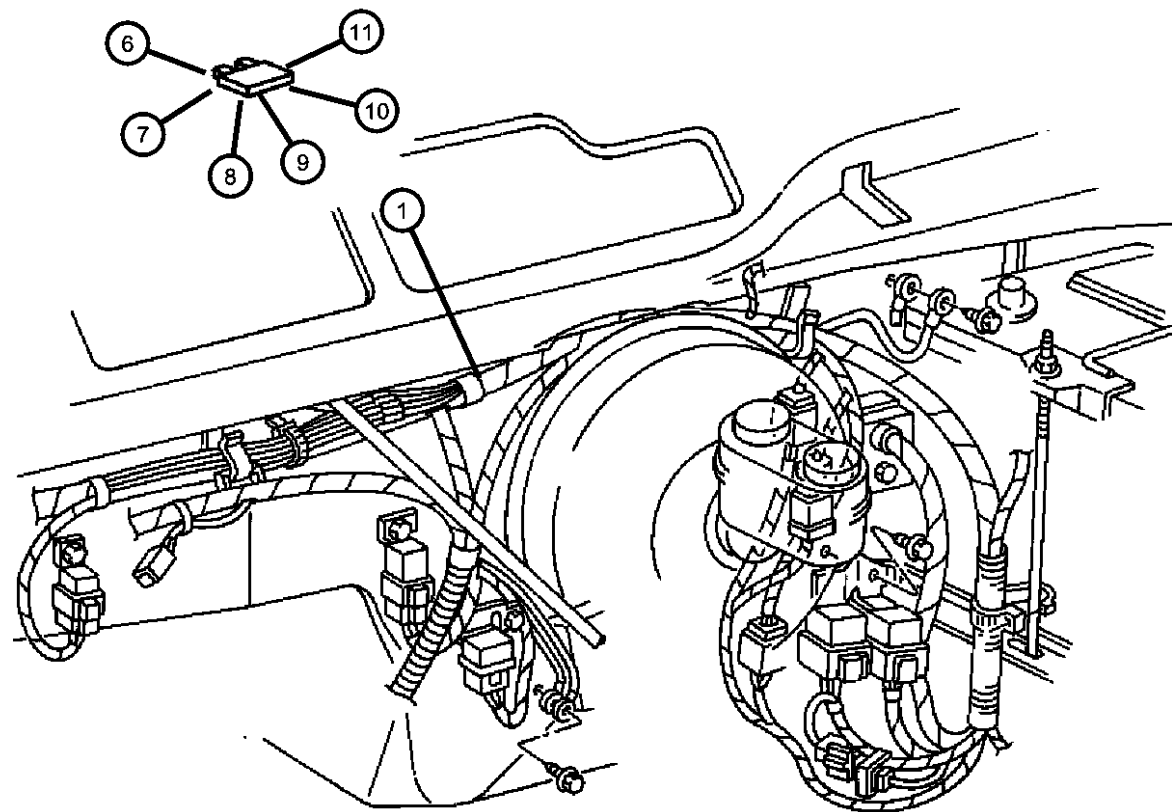
TRANSMISSION
 DGK = TRANSMISSION - 4-SPD.
 AUTOMATIC, 42RE
 DGQ = TRANSMISSION-5SPD
 AUTOMATIC 5-45RFE
 DGO = ALL AUTOMATIC
 TRANSMISSIONS

AR = use ase required - = Non illustrated part

2001 WJ

Wiring - Headlamp / Dash
Figure 8-1310

ITEM	PART NUMBER	QTY	LINE	SERIES	BODY	ENGINE	TRANS	TRIM	DESCRIPTION
-12	55196762AA	3				EVA			PULLER, Fuse



GRAND CHEROKEE (WJ)

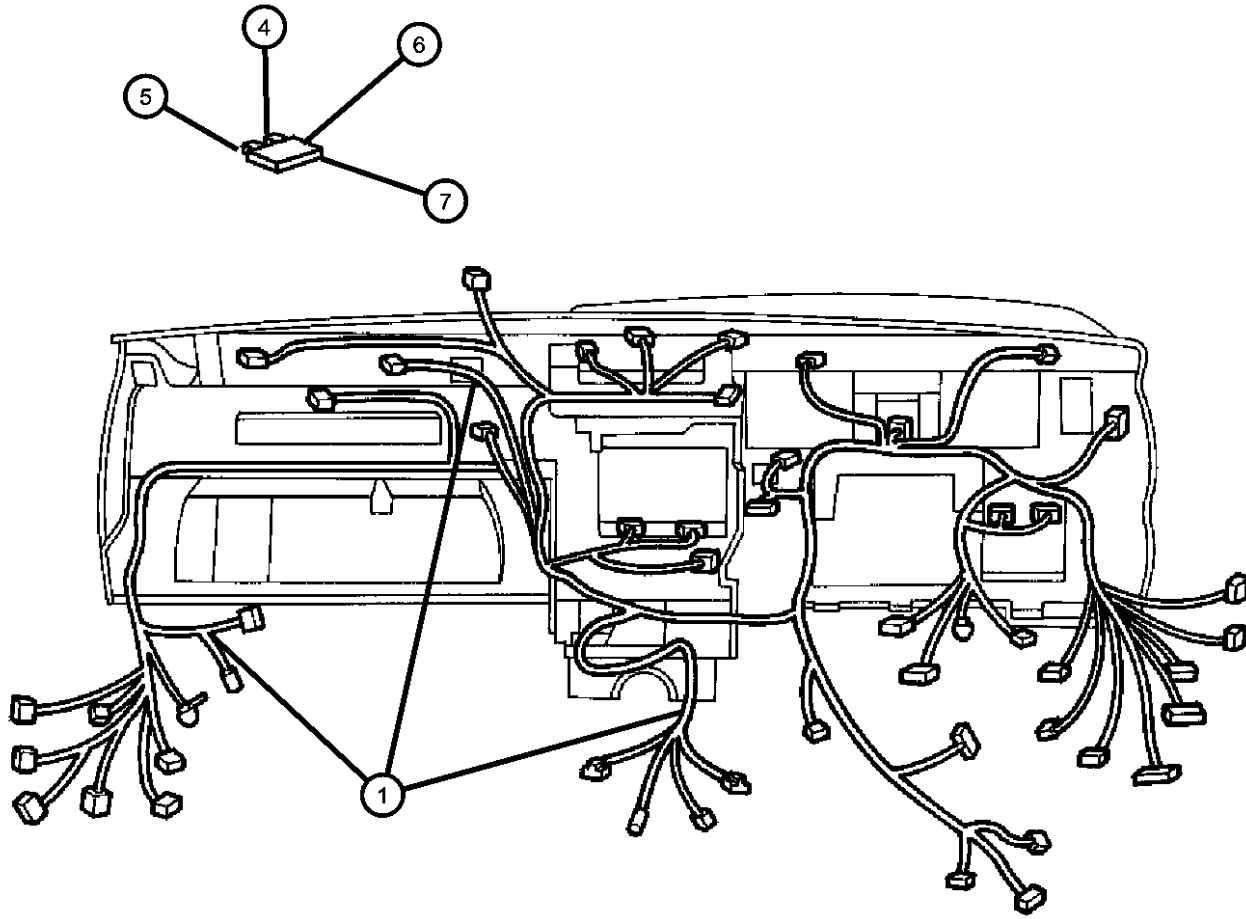
SERIES	LINE	BODY	ENGINE	TRANSMISSION
H = Laredo	T = JEEP - 2WD	74 = SPORT UTILITY 4-DR	ERH = ENGINE - 4.0L POWER TECH I-6	DGK = TRANSMISSION - 4-SPD. AUTOMATIC, 42RE
P = Limited	J = JEEP - 4WD		EVA = ENGINE- 4.7L V8 MPI	DGQ = TRANSMISSION-5SPD AUTOMATIC 5-45RFE DGO = ALL AUTOMATIC TRANSMISSIONS

AR = use ase required - = Non illustrated part

2001 WJ

Wiring - Instrument Panel
Figure 8-1410

ITEM	PART NUMBER	QTY	LINE	SERIES	BODY	ENGINE	TRANS	TRIM	DESCRIPTION
1									WIRING, Instrument Panel
	56042920AD	1							with Air conditioning & without 10 Disc CD Remote Changer
	56042922AD	1							with Dual Zone Control Air conditioning, Automatic Headlamps & without 10 Disc CD Remote Changer
	56042925AD	1							w/Air conditioning & 10 Disc CD Remote Changer
	56042940AD	1							with Dual Zone Control Air conditioning, Automatic Headlamps & with 10 Disc CD Remote Changer
-2	04274258	2							TAPE, Radio Connector, Foam
-3	05018536AA	1							JUNCTION BLOCK, Relay
4	000ATM10	2							FUSE, Mini, 10 AMP, Red
5	000ATM15	1							FUSE, Mini, 15 AMP, Light Blue
6	000ATM20	1							FUSE, Mini, 20 AMP, Yellow
7	04687835	1							FUSE, Mini, 25 Amp, Natural
-8	55196762AA	1							PULLER, Fuse
-9	55116564AA	1							COVER, Fuse Access
-10	04604235	2							BREAKER, Circuit
-11	05072991AA	1							PLUG, Wiring, 10 Way (Plug/Cap/Shorting Bar)



GRAND CHEROKEE (WJ)

SERIES LINE
H = Laredo T = JEEP - 2WD
P = Limited J = JEEP - 4WD

BODY
74 = SPORT UTILITY 4-DR

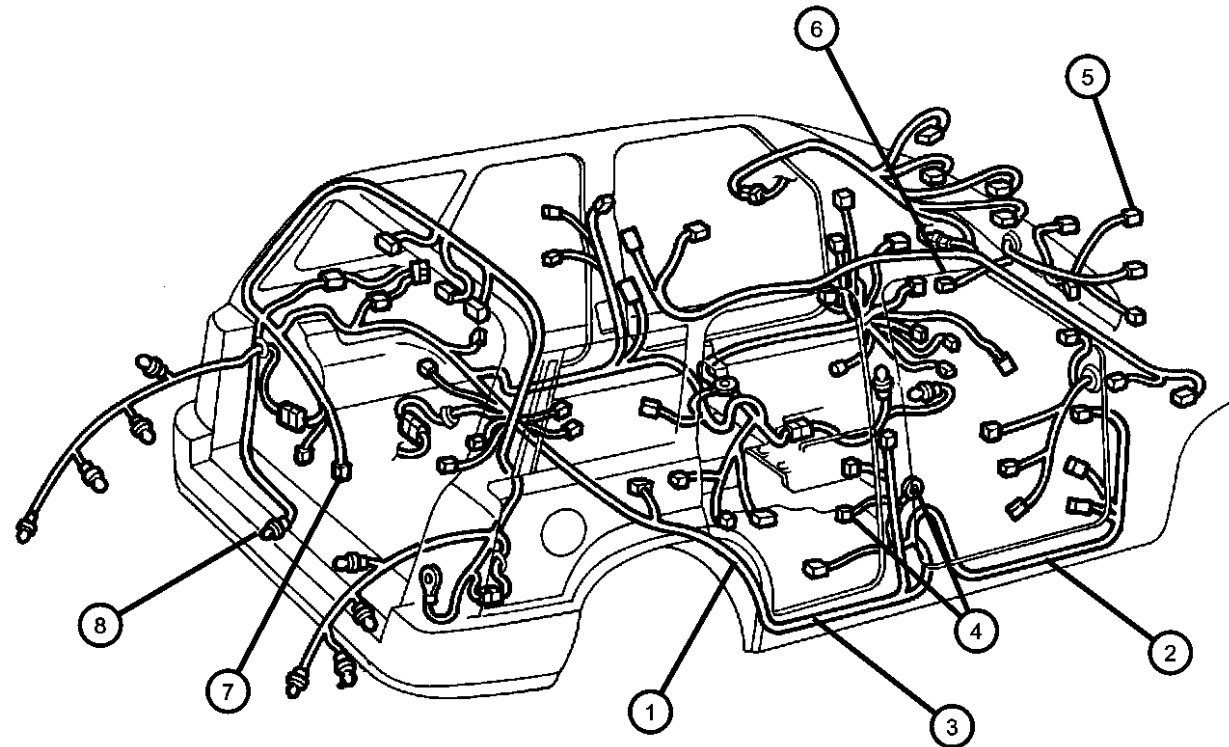
ENGINE
ERH = ENGINE - 4.0L POWER TECH I-6
EVA = ENGINE- 4.7L V8 MPI

TRANSMISSION
DGK = TRANSMISSION - 4-SPD. AUTOMATIC, 42RE
DGQ = TRANSMISSION-5SPD AUTOMATIC 5-45RFE
DGO = ALL AUTOMATIC TRANSMISSIONS

AR = use ase required - = Non illustrated part

2001 WJ

Wiring - Body & Accessories
Figure 8-1510



ITEM	PART NUMBER	QTY	LINE	SERIES	BODY	ENGINE	TRANS	TRIM	DESCRIPTION
1									WIRING, Body
	56042875AA	1							with Power Seats, Left
	56042876AA	1							without Power Seats, Left
	56042877AA	1							without Power Seats, Right
	56042878AA	1							with Power Seats, Right
	56042879AA	1							with CD Changer 10-Disc Remote, Right
2									WIRING, Front Door
	56042219AE	1							with Security Alarm, Driver Side
	56042220AE	1							(Passenger Side), Passenger Side
	56042221AE	1							without Security Alarm, Driver Side
3	56042538AG	2							WIRING, Rear Door
4									WIRING, Door Jumper
	56042525AE	1		P					Left Front Door
	56042526AE	1		P					Right Front Door
	56042527AE	1		H					with 6 Speakers or with Infinity Sound System, Right & Left
5	56042574AD	1							WIRING, Underhood Lamp
6									WIRING, Steering Wheel
	56042592AB	1		H					with Leather
	56042595AB	1							without Leather
7	56042800AB	1							WIRING, Liftgate
8									WIRING, Trailer Tow
	56019823AC	1							Wiring Kit with Hitch Plug with Jeep Logo, Label, 7-4 Way Adapter & Wiring
	56042239AF	1							
-9	56038366AB	1							CONNECTOR, 7 Way
-10	56019823	1							ADAPTER, Trailer Tow, 7-4 Way for factory hitch also includes rubber hitch cap with Jeep Logo
-11	82203600	1	J, T	H, P	74				COVER KIT, Trailer Tow, Hitch Plug with Jeep Logo for accessory hitch
-12									WIRING, Headliner
	56050007AA	1							with Illuminated Visor, Universal Garage Door Opener & Without Sunroof

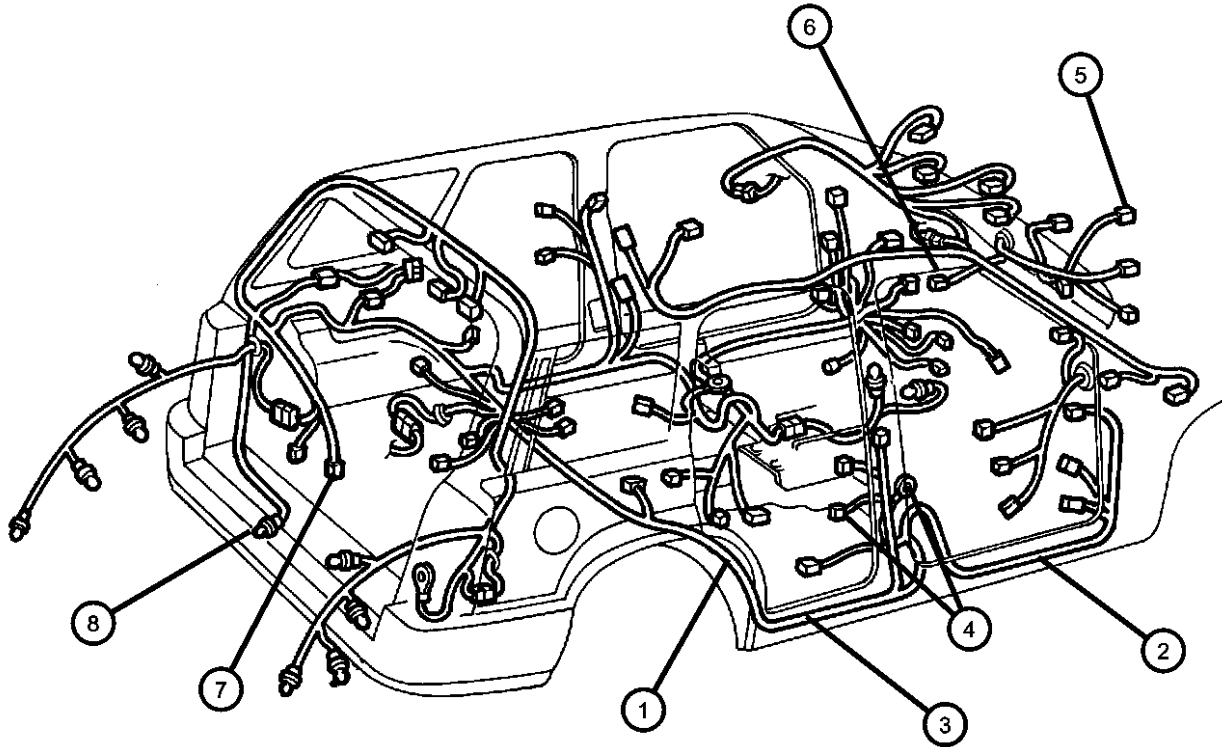
GRAND CHEROKEE (WJ)

SERIES	LINE	BODY	ENGINE	TRANSMISSION
H = Laredo	T = JEEP - 2WD	74 = SPORT UTILITY 4-DR	ERH = ENGINE - 4.0L POWER TECH I-6	DGK = TRANSMISSION - 4-SPD. AUTOMATIC, 42RE
P = Limited	J = JEEP - 4WD		EVA = ENGINE- 4.7L V8 MPI	DGQ = TRANSMISSION-5SPD AUTOMATIC 5-45RFE
				DGO = ALL AUTOMATIC TRANSMISSIONS

AR = use ase required - = Non illustrated part

Wiring - Body & Accessories
Figure 8-1510

ITEM	PART NUMBER	QTY	LINE	SERIES	BODY	ENGINE	TRANS	TRIM	DESCRIPTION
	56050009AA	1							With Illuminated Visor, Universal Garage Door Opener & With Sunroof
-13	55196754AA	1							WIRING, Overhead Lighting
-14	04793554	1							POWER OUTLET, Cigar Lighter, Quarter Trim Panel
-15	04685591	1							CAP, Cigar Lighter, Quarter Trim Panel
-16									WIRING, Seat
	05015744AA	1							with Power Driver & Passenger Seats, Left
	05015747AA	1							with Power Seat & 10 Way Memory, Right
		1							with Power Seat & 10 Way Memory with Map Pocket, Right
	05017925AA	1							with Power Seat & 10 Way Memory, Left
	05017926AA	1							with Power 10 Way Heated Seats, Left
	05017927AA	1							with Power Heated Seats, Left
	05017928AA	1							with Power Seat & 10 Way Memory with Map Pocket, Left
	05017929AA	1							with Power 10 Way Heated Seats, Right
		1							with Power Heated Seats, Right
	05017930AA	1							with Power Driver & Passenger Seats, Right
-17	05016560AA	1							WIRING, Sunroof
-18	55196753AA	1							WIRING, Overhead Lighting, Assist Handles, Assist Handles



GRAND CHEROKEE (WJ)

SERIES LINE
H = Laredo T = JEEP - 2WD
P = Limited J = JEEP - 4WD

BODY
74 = SPORT UTILITY 4-DR

ENGINE
ERH = ENGINE - 4.0L POWER TECH I-6
EVA = ENGINE- 4.7L V8 MPI

TRANSMISSION
DGK = TRANSMISSION - 4-SPD. AUTOMATIC, 42RE
DQG = TRANSMISSION-5SPD AUTOMATIC 5-45RFE
DGO = ALL AUTOMATIC TRANSMISSIONS

AR = use ase required - = Non illustrated part

2001 WJ

**Wiring Repair Packages
Figure 8-1605**

ITEM	PART NUMBER	QTY	LINE	SERIES	BODY	ENGINE	TRANS	TRIM	DESCRIPTION
									ER0=4.0L Engine EVA=4.7L Power Tech Engine EV0=4.7L Engine
-1	05013930AB	1							WIRING PACKAGE, Underhood Connector Repair, For Electrical Connector Repair Information visit the World Wide Web at http://dto.vftis.com/mopar/disclaimer.asp
-2	04364392	1				ER0			TUBE, Convoluted
-3	J4175376	2				ER0, EVA			STRAP, Tie

For Electrical Connector Repair Information visit the World Wide Web at

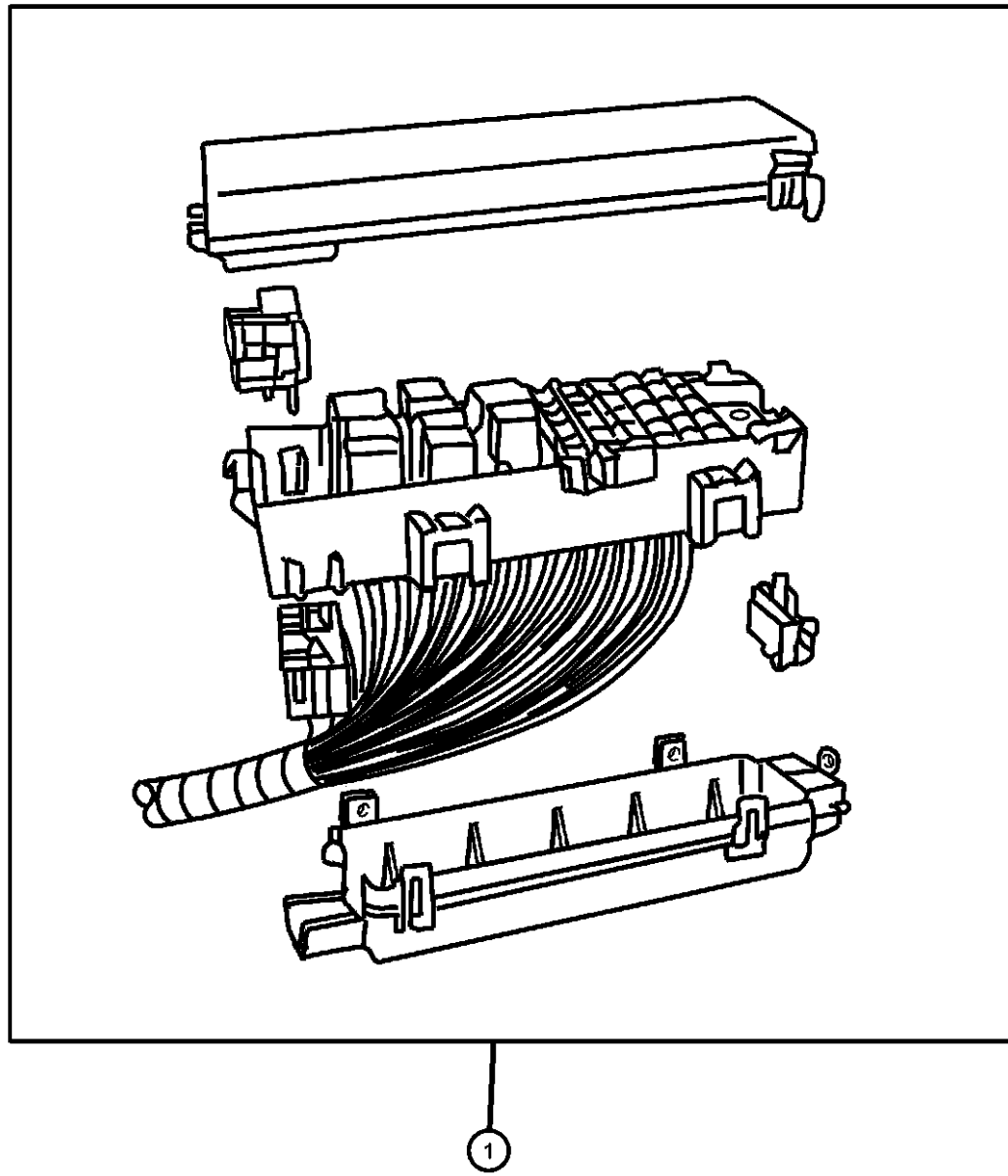
<http://dto.vftis.com/mopar/disclaimer.asp>

GRAND CHEROKEE (WJ)

SERIES	LINE	BODY	ENGINE	TRANSMISSION
H = Laredo	T = JEEP - 2WD	74 = SPORT UTILITY 4-DR	ERH = ENGINE - 4.0L POWER TECH I-6	DGK = TRANSMISSION - 4-SPD. AUTOMATIC, 42RE
P = Limited	J = JEEP - 4WD		EVA = ENGINE- 4.7L V8 MPI	DGQ = TRANSMISSION-5SPD AUTOMATIC 5-45RFE
				DGO = ALL AUTOMATIC TRANSMISSIONS

**Power Distribution Center Repair
Figure 8-1610**

ITEM	PART NUMBER	QTY	LINE	SERIES	BODY	ENGINE	TRANS	TRIM	DESCRIPTION
1	05014460AB	1							REPAIR KIT, Power Distribution Center



GRAND CHEROKEE (WJ)

SERIES	LINE
H = Laredo	T = JEEP - 2WD
P = Limited	J = JEEP - 4WD

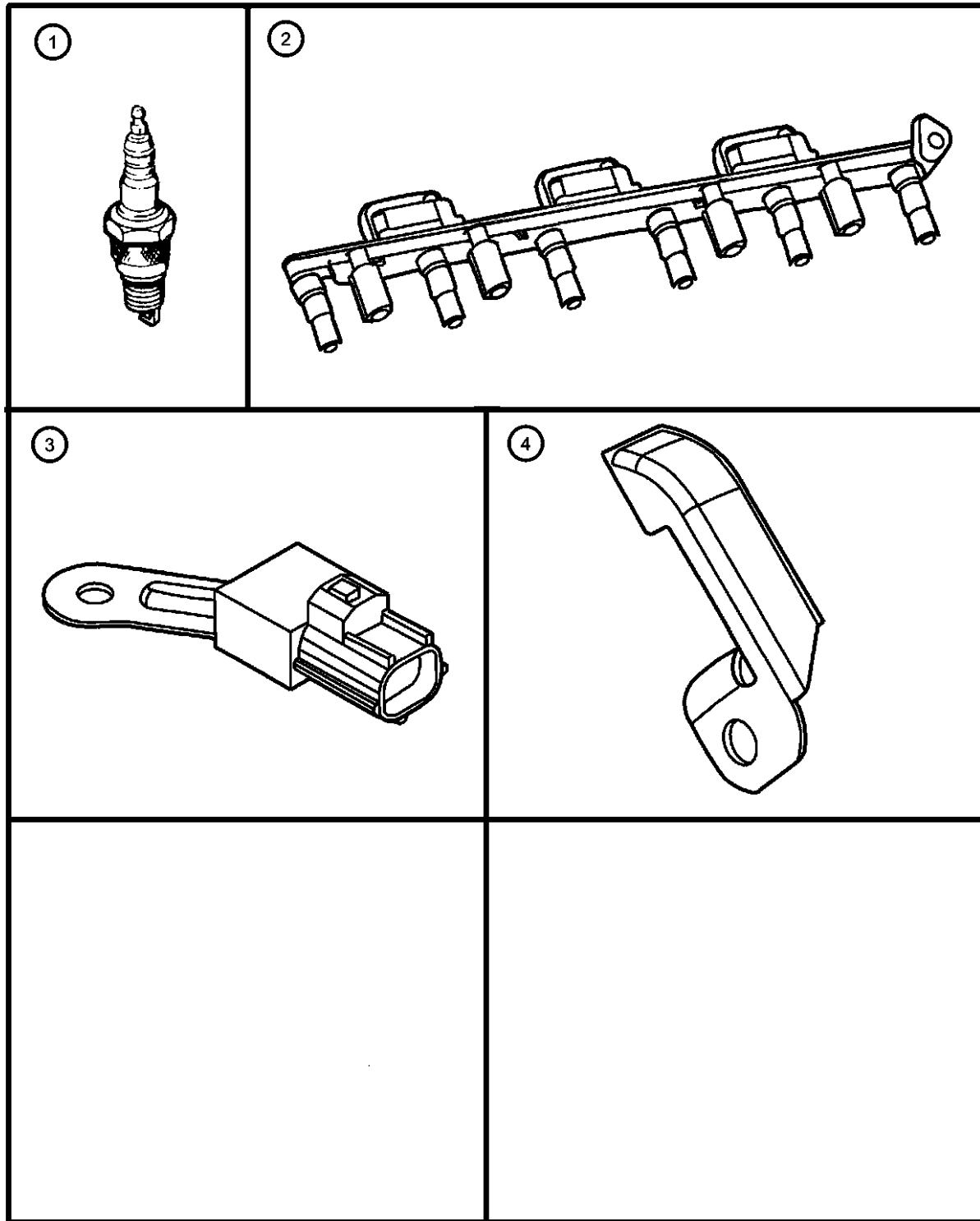
BODY
74 = SPORT UTILITY 4-DR

ENGINE
ERH = ENGINE - 4.0L POWER TECH I-6
EVA = ENGINE- 4.7L V8 MPI

TRANSMISSION
DGK = TRANSMISSION - 4-SPD. AUTOMATIC, 42RE
DGQ = TRANSMISSION-5SPD AUTOMATIC 5-45RFE
DGO = ALL AUTOMATIC TRANSMISSIONS

AR = use ase required - = Non illustrated part

Spark Plugs - Coils
Figure 8-1910



ITEM	PART NUMBER	QTY	LINE	SERIES	BODY	ENGINE	TRANS	TRIM	DESCRIPTION
[ER0]=4.0L Engine [ERH]=4.0L Power Tech Engine [EVA]=4.7L Power Tech Engine V8 [EV0]=4.7L Engine [DG0]=Automatic Transmission									
1									SPARK PLUG
	SP000ZFR5N	6				ER0			
	SPRC12MCC4	8				EVA			
2									COIL, Ignition
	56028138AB	8				EV0			
	56041476AA	1				ER0			
3									CAPACITOR, Ignition
	56041396AA	2				EV0			
		1				ERH			
4	56041388AA	1				ER0	DG0		SHIELD, Wiring
-5	05015297AA	8				EV0			O RING, Coil Pack
-6	06102146AA	4				ER0			SCREW AND WASHER, Ignition Coil Mounting

GRAND CHEROKEE (WJ)

SERIES LINE
 H = Laredo T = JEEP - 2WD
 P = Limited J = JEEP - 4WD

BODY
 74 = SPORT UTILITY 4-DR

ENGINE
 ERH = ENGINE - 4.0L
 POWER TECH I-6
 EVA = ENGINE- 4.7L V8 MPI

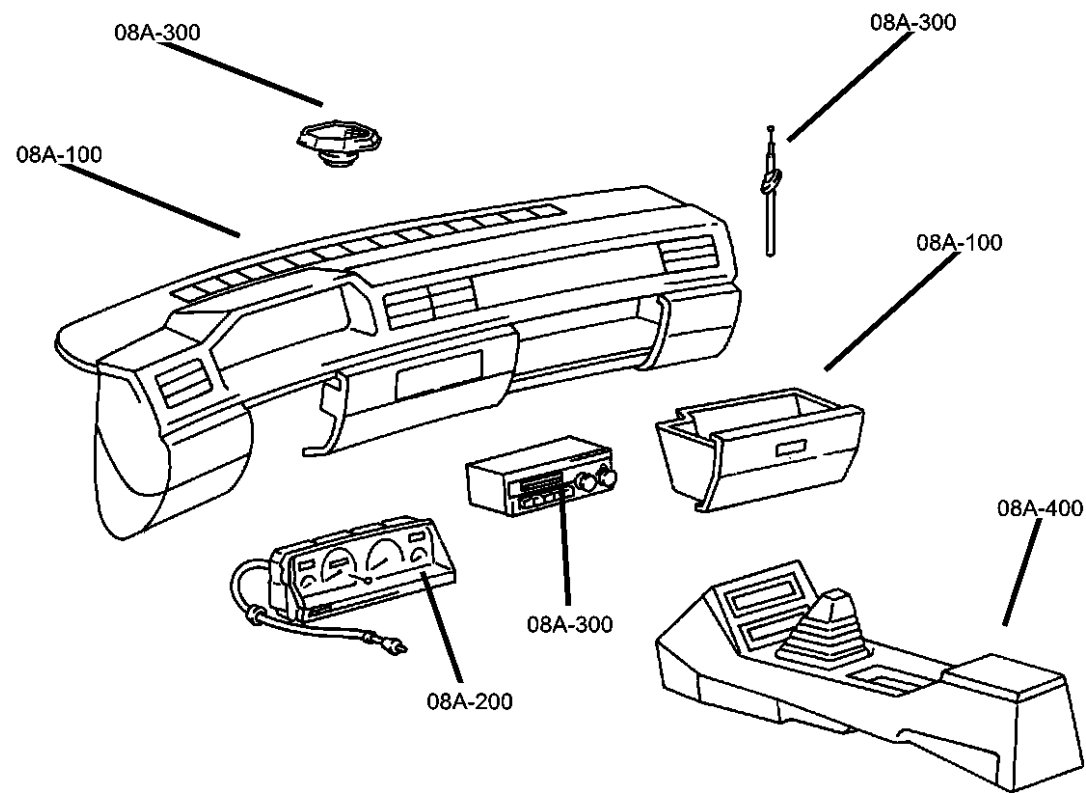
TRANSMISSION
 DGK = TRANSMISSION - 4-SPD.
 AUTOMATIC,42RE
 DGQ = TRANSMISSION-5SPD
 AUTOMATIC 5-45RFE
 DGO = ALL AUTOMATIC
 TRANSMISSIONS

AR = use ase required - = Non illustrated part

2001 WJ

Group - 08A

Instrument Panel and Radios and Consoles



Group - 08A Instrument Panel and Radios and Consoles

Illustration Title

Group-Fig. No.

Instrument Panel

Instrument Panel Fig. 08A - 110

Instrument Panel Cluster

Instrument Cluster..... Fig. 08A - 210

Radio, Antenna, and Speakers

Radios..... Fig. 08A - 310

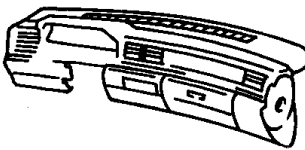
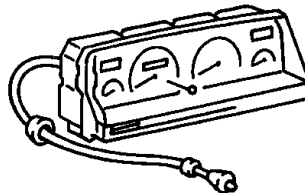
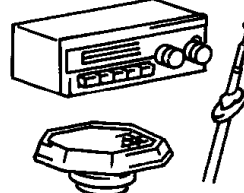
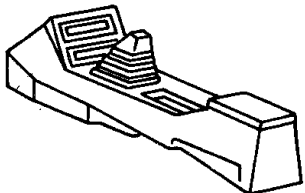
Antenna..... Fig. 08A - 320

Speakers..... Fig. 08A - 325

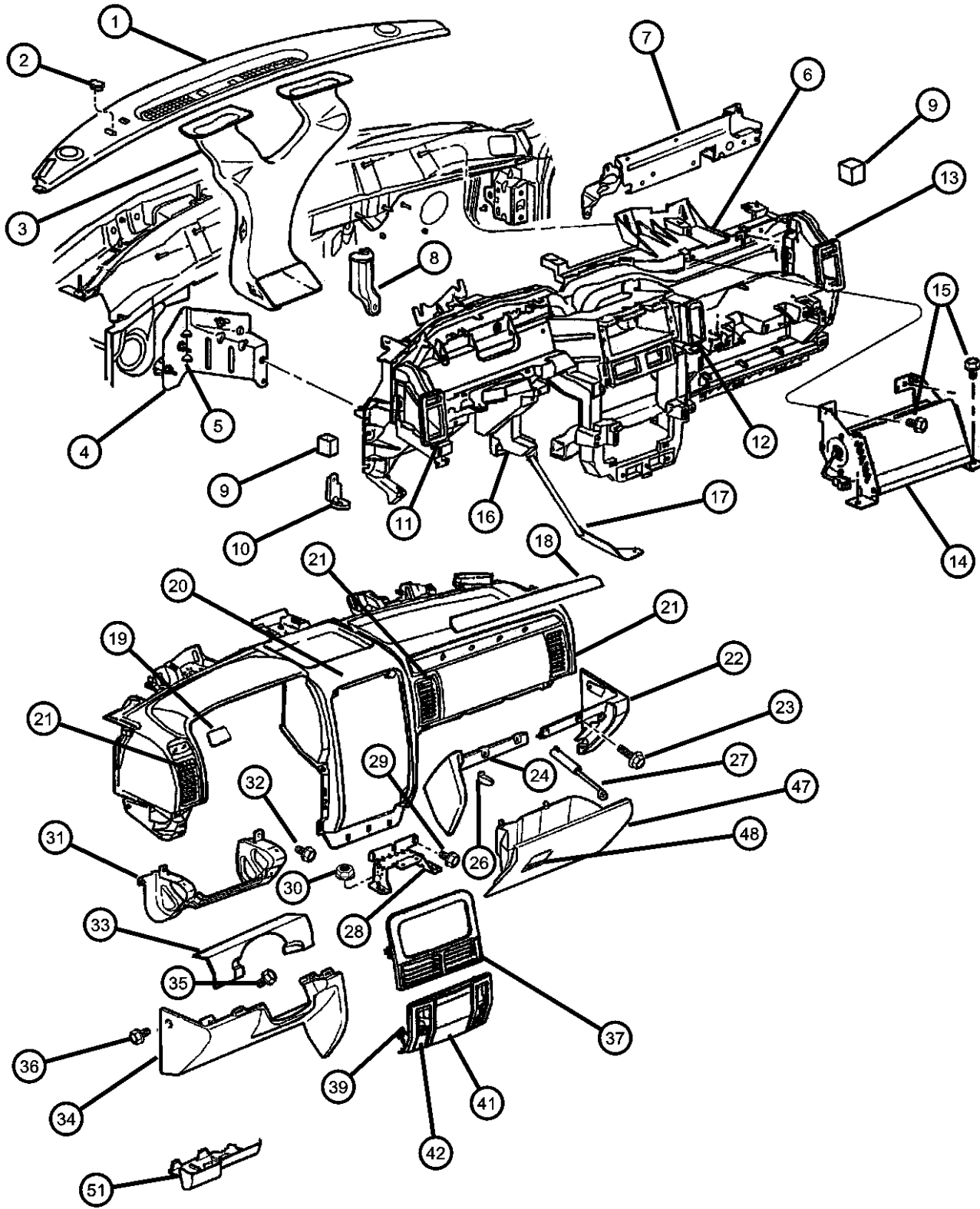
Consoles

Floor Console..... Fig. 08A - 410

Overhead Console Fig. 08A - 420

<p>08A-100 Instrument Panel</p> 	<p>08A-200 Instrument Panel Cluster</p> 	<p>08A-300 Radio, Antenna, and Speakers</p> 	<p>08A-400 Consoles</p> 
---	--	---	--

**Instrument Panel
Figure 08A-110**



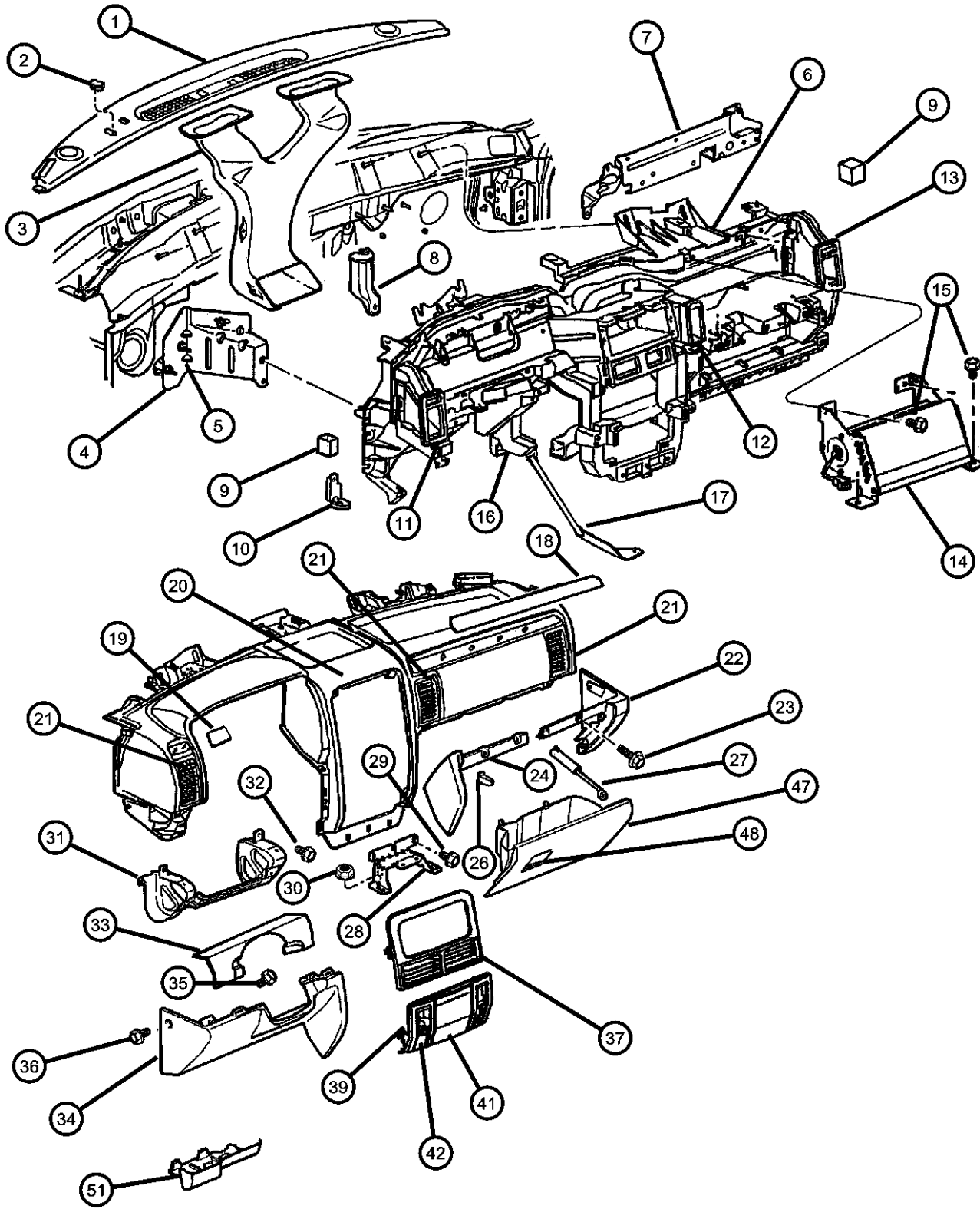
ITEM	PART NUMBER	QTY	LINE	SERIES	BODY	ENGINE	TRANS	TRIM	DESCRIPTION
1	0QR20LAZAD	1							COVER, Instrument Panel [AZ]
	0QR20WL8AD	1							[L5]
	0QR20XTMAD	1							[T5]
2	5EL11SAZ	1							PLUG, Solar Sensor [AZ]
	5EL11WL8	1							[L5]
	5EL11XTM	1							[T5]
3	55116014	1							DUCT, Defroster
4	55116395AC	1							BRACKET, Instrument Panel
5	55116395AC	1							NUT, M6x1, (NOT SERVICED)
6	55116407AC	1							DUCT, Instrument Panel, Structural
7	55116373AB	1							BRACKET, Instrument Panel, C-Chanel Cover
8	55116397AA	1							BRACKET, Instrument Panel
9									SPACER
	52850582AA	1							Right
	52850583AA	1							Left
10	55116390AB	1							BRACKET, Instrument Panel, Courtesy Lamp
11	55116287AB	1							DUCT, Instrument Panel, Extension Left
12	55116285AA	1							DUCT, Instrument Panel, Extension In Board
13	55116286AB	1							DUCT, Instrument Panel, Extension Right
14	55115945AD	1							AIR BAG, Passenger
15	55115945AD	1							SCREW, Hex Head, (NOT SERVICED)
16	55116032AC	1							BRACKET, Instrument Panel, Steering Column Support
17	55116032AC	1							STRAP, Serviced in Assembly, (NOT SERVICED)
18									BEZEL, Instrument Panel
	55116482AA	1							(Spartan Burl), Passenger
	55116509AA	1							(Brush Aluminum), Passenger
19									BEZEL, Instrument Panel, Armature Assembly & A/C Outlet Bezel Included

GRAND CHEROKEE (WJ)

SERIES	LINE	BODY	ENGINE	TRANSMISSION
H = Laredo	T = JEEP - 2WD	74 = SPORT UTILITY 4-DR	ERH = ENGINE - 4.0L POWER TECH I-6	DGK = TRANSMISSION - 4-SPD. AUTOMATIC, 42RE
P = Limited	J = JEEP - 4WD		EVA = ENGINE- 4.7L V8 MPI	DGQ = TRANSMISSION-5SPD AUTOMATIC 5-45RFE
				DGO = ALL AUTOMATIC TRANSMISSIONS

AR = use ase required - = Non illustrated part

Instrument Panel
Figure 08A-110



ITEM	PART NUMBER	QTY	LINE	SERIES	BODY	ENGINE	TRANS	TRIM	DESCRIPTION
	55116475AA	1							(Spartan Burl), Driver
	55116497AA	1							(Brush Aluminum), Driver
20									PAD, Instrument Panel
	5HK981AZAA	1							[AZ]
	5HK981L8AA	1							[L5]
	5HK981TMAA	1							[T5]
21									OUTLET, Air Conditioning & Heater
	5GZ121AZAB	1							[AZ] (Inboard)
	5GZ131L8AB	1							[L5] (Left)
	5GZ131TMAB	1							[T5] (Left)
	5GZ141AZAB	1							[AZ] (Right)
	5GZ141L8AB	1							[L5] (Right)
	5GZ141TMAB	1							[T5] (Right)
	5GZ121L8AB	1							[L5] (Inboard)
	5GZ121TMAB	1							[T5] (Inboard)
	5GZ131AZAB	1							[AZ] (Left)
22									CAP, Instrument Panel End
	5EY42LAZAB	1							[AZ]
	5EY42WL5AB	1							[L5]
	5EY42XT5AB	1							[T5]
23	06032723	3							SCREW, Self Tapping, M4.2x1.69x19.05
24									BEZEL, Instrument Panel
	5FU66LAZAB	1							[AZ] Lower Right Center
	5FU66WL5AB	1							[L5] Lower Right Center
	5FU66XT5AB	1							[T5] Lower Right Center
-25	06101946	3							SCREW, Tapping
26									STRIKER, Glove Box Door Latch
	55116374AA	1							Right
	55116375AA	1							Left
27	55116424AA	1							DAMPENER, Glove Box Door
28									BRACKET, Instrument Panel
	55116041	1							Up to 02/19/01
	55116041AB	1							02/19/01 & After

GRAND CHEROKEE (WJ)

SERIES LINE
H = Laredo T = JEEP - 2WD
P = Limited J = JEEP - 4WD

BODY
74 = SPORT UTILITY 4-DR

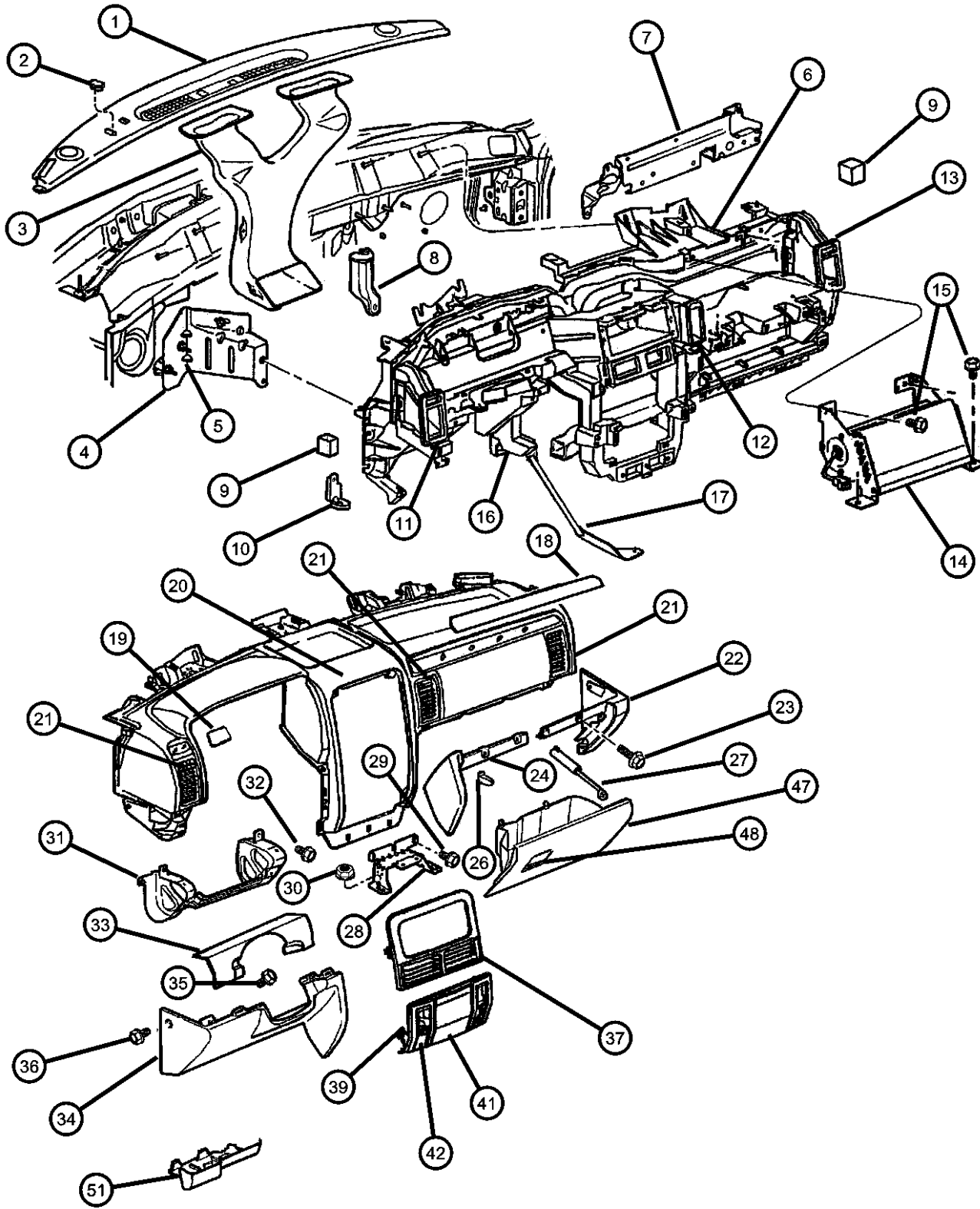
ENGINE
ERH = ENGINE - 4.0L
POWER TECH I-6
EVA = ENGINE- 4.7L V8 MPI

TRANSMISSION
DGK = TRANSMISSION - 4-SPD.
AUTOMATIC, 42RE
DQG = TRANSMISSION-5SPD
AUTOMATIC 5-45RFE
DGO = ALL AUTOMATIC
TRANSMISSIONS

AR = use ase required - = Non illustrated part

2001 WJ

**Instrument Panel
Figure 08A-110**



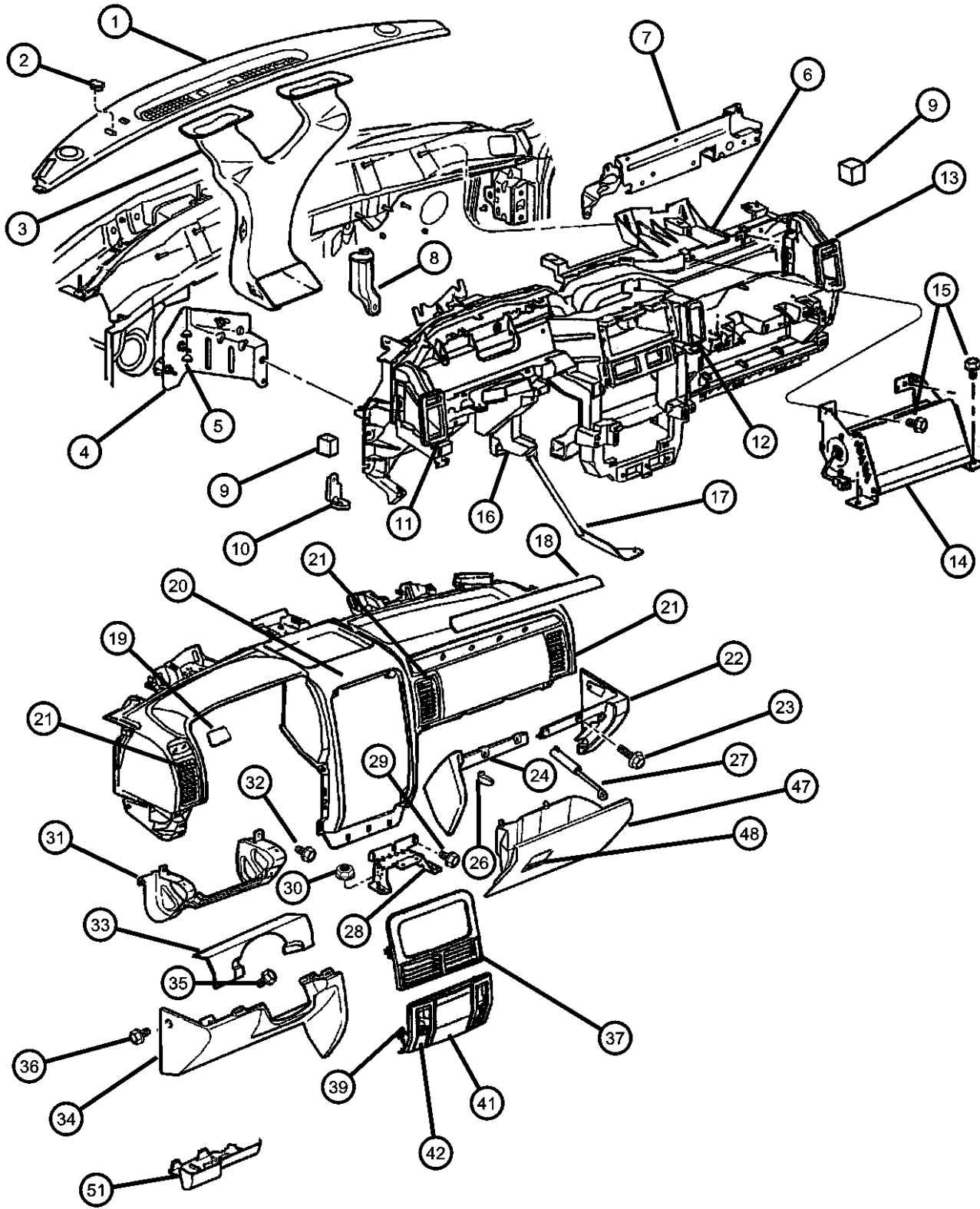
ITEM	PART NUMBER	QTY	LINE	SERIES	BODY	ENGINE	TRANS	TRIM	DESCRIPTION
29	55116041AB	1							SCREW, M6X1X25, (NOT SERVICED),
30	06504572	2							NUT AND WASHER, Hex Nut-Coned Washer, M8 x 1.25
31	55116391AA	1							BRACKET, Instrument Panel
32	55116391AA	1							SCREW, Self Tapping, M6x1x15, (NOT SERVICED)
33									BEZEL, Instrument Cluster
	5FZ23LAZAD	1							Agate
	5FZ23XTMAD	1							[T5]
	5FZ23WL8AD	1							[L5]
34									COVER, Instrument Panel, Steering Column Opening
	5EY40LAZAF	1							[AZ]
	5EY40WL5AF	1							[L5]
	5EY40XT5AF	1							[T5]
35	06101946	3							SCREW, Tapping
36	06032723	3							SCREW, Self Tapping, M4.2x1.69x19.05
37									BEZEL, Instrument Panel, Upper, Radio Bezel Opening
	55116479AB	1							Woodgrain (Spartan Burl)
	55116506AA	1							(Brush Aluminum)
-38	55116366AB	1							ADAPTER, A/C And Heater Unit
39									BEZEL, Instrument Panel, Lower
	05019799AA	1							Limited with 10 Way Power Heated Seats (Sparta Burl) (Ash Reciever Assembly, Cigar & Power Outlet Assembly Included)
	55116280AC	1							Laredo without Heated Seats (Ash Reciever Assembly, Cigar & Power Outlet Assembly Included)
	55116483AB	1							Black
	05014055AC	1							Limited without 10 Way Power Heated Seats (Sparta Burl) (Ash Reciever Assembly, Cigar & Power Outlet Assembly Included)
									Laredo with Heated Seats (Ash Reciever Assembly, Cigar & Power Outlet Assembly Included)
									Black

GRAND CHEROKEE (WJ)

SERIES	LINE	BODY	ENGINE	TRANSMISSION
H = Laredo	T = JEEP - 2WD	74 = SPORT UTILITY 4-DR	ERH = ENGINE - 4.0L POWER TECH I-6	DGK = TRANSMISSION - 4-SPD. AUTOMATIC, 42RE
P = Limited	J = JEEP - 4WD		EVA = ENGINE- 4.7L V8 MPI	DGQ = TRANSMISSION-5SPD AUTOMATIC 5-45RFE
				DGO = ALL AUTOMATIC TRANSMISSIONS

AR = use ase required - = Non illustrated part

Instrument Panel
Figure 08A-110



ITEM	PART NUMBER	QTY	LINE	SERIES	BODY	ENGINE	TRANS	TRIM	DESCRIPTION
-40	06504664	1							CLIP, Instrument Panel
41	55116061	1							RECEPTACLE, Ash Receiver
42	55116273AA	1							DOOR, Power Outlet
-43	05269360	1							HOOD, Ash Receiver Lamp
-44	04793554	1							POWER OUTLET, Cigar Lighter
-45	04793551	1							BASE, Cigar Lighter
-46	04793555	2							RING, Cigar Lighter Mounting
47									GLOVE BOX, Instrument Panel
	5EY381AZAB	1							[AZ]
	5EY381L5AB	1							[L5]
	5EY381T5AB	1							[T5]
48									LATCH, Glovebox Door
	5FK941T5	1							[T5]
	5FK94LAZ	1							[AZ]
	5FK94WL5	1							[L5]
-49	04524343	2							BUMPER, Glove Box Door
-50	04565022	1							SWITCH AND LAMP, Glove Box
51	55116219AB	1							COVER, Fuse Access
-52	55196762AA	1							PULLER, Fuse
-53									LABEL, Air Bag Warning
	04595748AA	1							Glovebox Door (English)
	04595749AA	1							Glovebox Door (Bilingual)
-54	04793554	1							POWER OUTLET, Cigar Lighter, Quarter Trim Panel
-55	04685370	1							KNOB AND ELEMENT, Cigar Lighter
-56	04685591	1							CAP, Cigar Lighter, Cap/Tether & Mount Ring (Cigar Lighter)

GRAND CHEROKEE (WJ)

SERIES LINE
H = Laredo T = JEEP - 2WD
P = Limited J = JEEP - 4WD

BODY
74 = SPORT UTILITY 4-DR

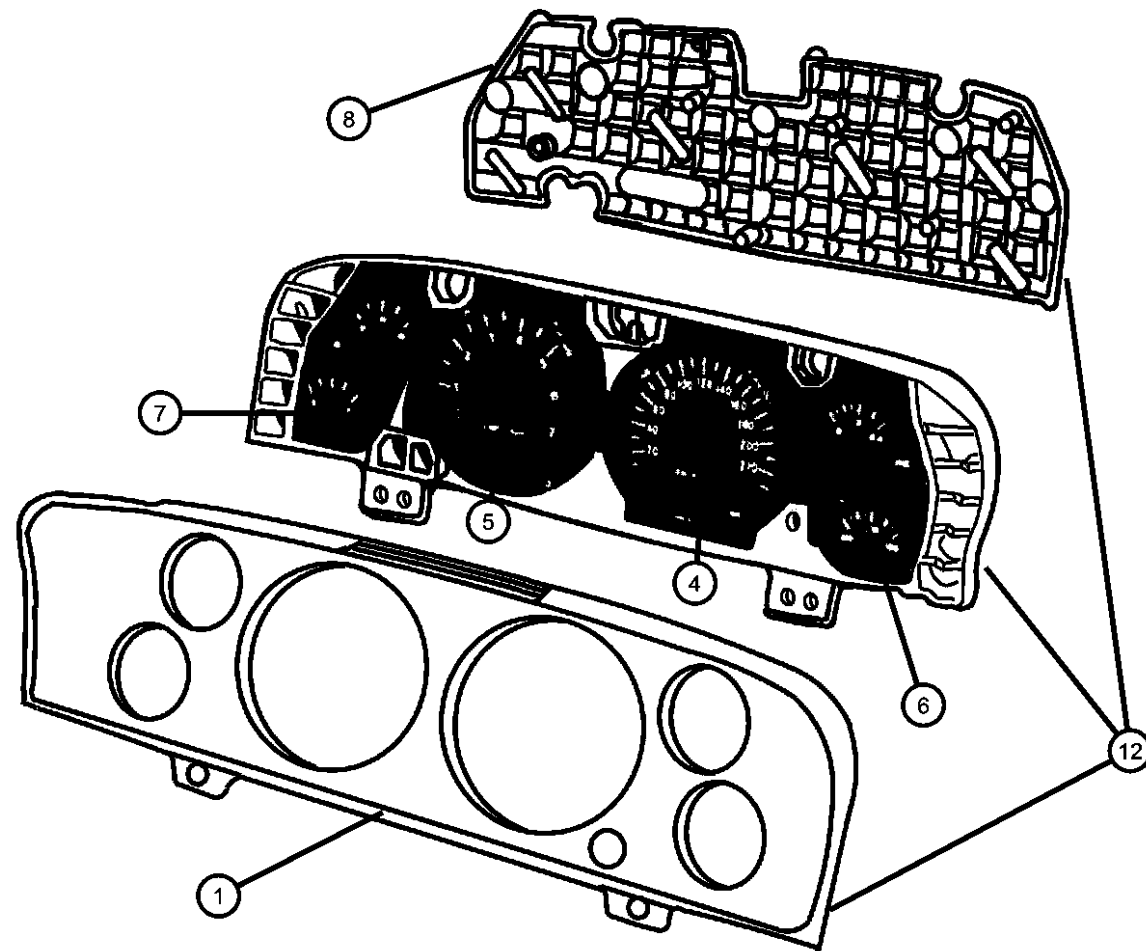
ENGINE
ERH = ENGINE - 4.0L
POWER TECH I-6
EVA = ENGINE- 4.7L V8 MPI

TRANSMISSION
DGK = TRANSMISSION - 4-SPD.
AUTOMATIC, 42RE
DGQ = TRANSMISSION-5SPD
AUTOMATIC 5-45RFE
DGO = ALL AUTOMATIC
TRANSMISSIONS

AR = use ase required - = Non illustrated part

2001 WJ

**Instrument Cluster
Figure 08A-210**



ITEM	PART NUMBER	QTY	LINE	SERIES	BODY	ENGINE	TRANS	TRIM	DESCRIPTION
	ER0=4.0L Engine EVA=4.7L Power Tech Engine								
1									LENS, Cluster
	05016211AA	1							w/120 MPH Primary w/Tach
	05016245AA	1							w/220 KPH Primary w/Tach
-2	L000PC74	15							BULB, PC74
-3	05269529	5							BULB, PC121
4									GAUGE, Speedometer
	05018112AA	1							Limited (Miles)
	05018155AA	1							Laredo (Miles)
	05018158AA	1							Laredo (Kilos)
	05018160AA	1							Limited (Kilos)
5									GAUGE, Tachometer
	05018113AA	1							Limited
	05018156AA	1							Laredo
6									GAUGE, Temperature And Oil
	05015434AA	1							Laredo w/Miles
	05016246AA	1							Laredo w/Kilos
	05018114AA	1							Limited w/Miles
	05018168AA	1							Limited w/Kilos
7									GAUGE, Fuel And Volt
	05015436AA	1							(Laredo)
	05018115AA	1							(Limited)
8	05018115AA	1							BOARD, Circuit, Circuit Board Serviced w/Cluster Assembly, (NOT SERVICED), KNOB, Odometer Reset
-9	04638220	1							(U.S. & Mexico)
		1							Canada
-10	06101946	3							SCREW, Tapping
-11	06032723	6							SCREW, Self Tapping, M4.2x1.69x19.05
12									CLUSTER, Complete Cluster Assembly w/Lens & Gauges
	56042900AB	1							Laredo w/Miles
	56042901AB	1							Limited w/Miles

GRAND CHEROKEE (WJ)

SERIES LINE
H = Laredo T = JEEP - 2WD
P = Limited J = JEEP - 4WD

BODY
74 = SPORT UTILITY 4-DR

ENGINE
ERH = ENGINE - 4.0L
POWER TECH I-6
EVA = ENGINE- 4.7L V8 MPI

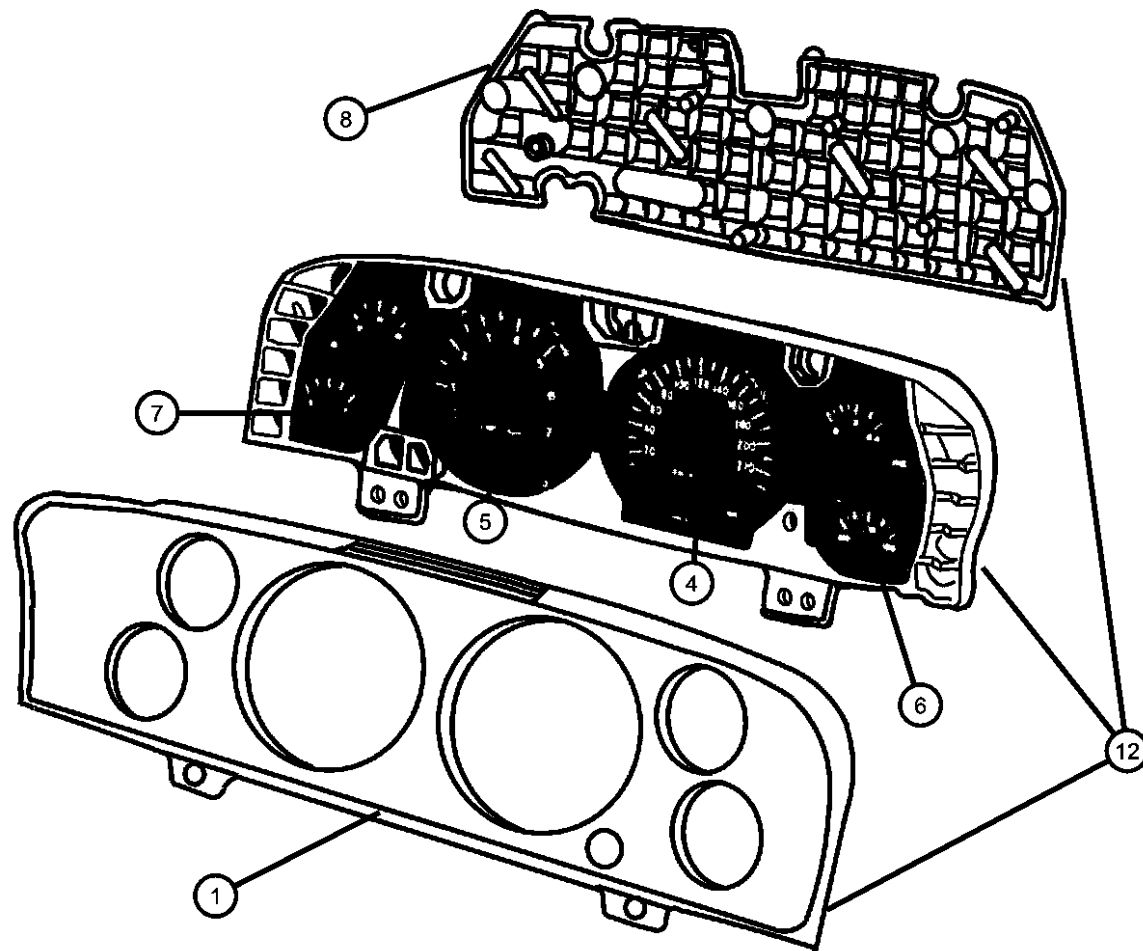
TRANSMISSION
D GK = TRANSMISSION - 4-SPD.
AUTOMATIC, 42RE
D G Q = TRANSMISSION-5SPD
AUTOMATIC 5-45RFE
D G O = ALL AUTOMATIC
TRANSMISSIONS

AR = use ase required - = Non illustrated part

2001 WJ

Instrument Cluster
Figure 08A-210

ITEM	PART NUMBER	QTY	LINE	SERIES	BODY	ENGINE	TRANS	TRIM	DESCRIPTION
	56042928AD	1							Laredo w/Miles
	56042948AD	1							Laredo w/Kilos



GRAND CHEROKEE (WJ)

SERIES LINE
H = Laredo T = JEEP - 2WD
P = Limited J = JEEP - 4WD

BODY
74 = SPORT UTILITY 4-DR

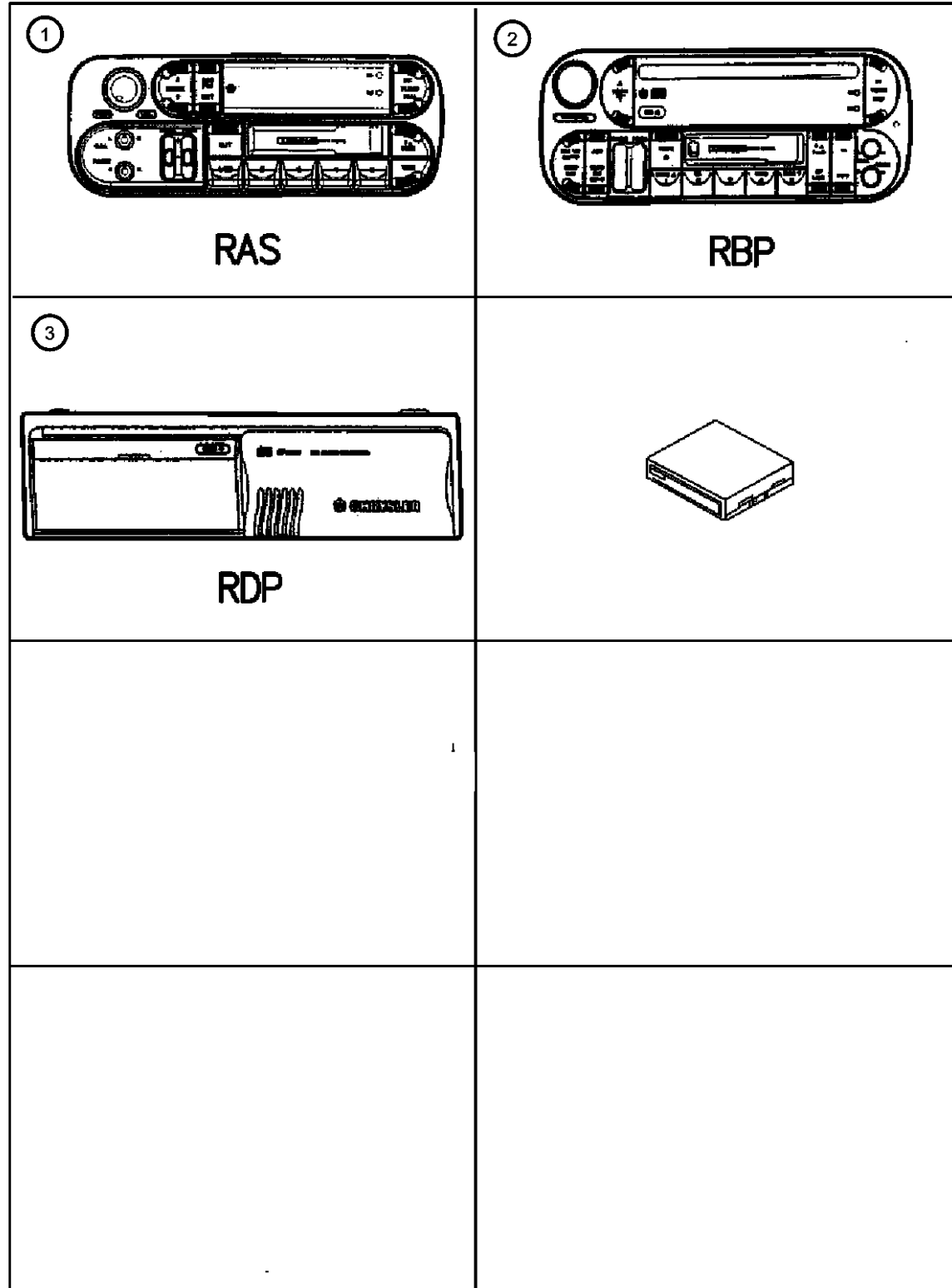
ENGINE
ERH = ENGINE - 4.0L
POWER TECH I-6
EVA = ENGINE- 4.7L V8 MPI

TRANSMISSION
DGK = TRANSMISSION - 4-SPD.
AUTOMATIC, 42RE
DGQ = TRANSMISSION-5SPD
AUTOMATIC 5-45RFE
DGO = ALL AUTOMATIC
TRANSMISSIONS

AR = use ase required - = Non illustrated part

2001 WJ

**Radios
Figure 08A-310**



ITEM	PART NUMBER	QTY	LINE	SERIES	BODY	ENGINE	TRANS	TRIM	DESCRIPTION
NOTE: [RAS] = AM/FM Cassette [RBP] = AM/FM Cassette w/CD & CD Changer [RCE] = Infinity Speaker System [RDP] = Disc Changer									
1	56038931AB	1							RADIO, AM/FM Cassette, [RAS]
2	56038623AF	1							RADIO, AM/FM with CD and Cassette, [RBP]
3	56042129AG	1							CHANGER, CD, [RDP]
-4	06100047	4							NUT AND WASHER, Hex Nut-Coned Washer, M6 x 1.00
-5	00154552	1							SCREW, Hex Head, .190-16x.625
-6	06035081	1							NUT, .25-20
-7									STRAP, Radio Noise Suppression
	56038402AB	1							Up to 8/27/00,4.7L Engine
	56038402AC	1							8/27/00 & After,4.7L Engine
	56038499AB	1							Up to 8/27/00,4.0L Engine
	56038499AC	1							8/27/00 & After,4.0L Engine
-8	06035081	1							NUT, .25-20
-9	56038407AD	1							AMPLIFIER, Radio, [RCE] (Mounting Bracket Serviced with Amplifier)
-10	04858564	1	J, T		74				MAGAZINE, CD Changer

GRAND CHEROKEE (WJ)

SERIES LINE
H = Laredo T = JEEP - 2WD
P = Limited J = JEEP - 4WD

BODY
74 = SPORT UTILITY 4-DR

ENGINE
ERH = ENGINE - 4.0L
POWER TECH I-6
EVA = ENGINE- 4.7L V8 MPI

TRANSMISSION
DGK = TRANSMISSION - 4-SPD.
AUTOMATIC,42RE
DGQ = TRANSMISSION-5SPD
AUTOMATIC 5-45RFE
DGO = ALL AUTOMATIC
TRANSMISSIONS

AR = use ase required - = Non illustrated part

2001 WJ

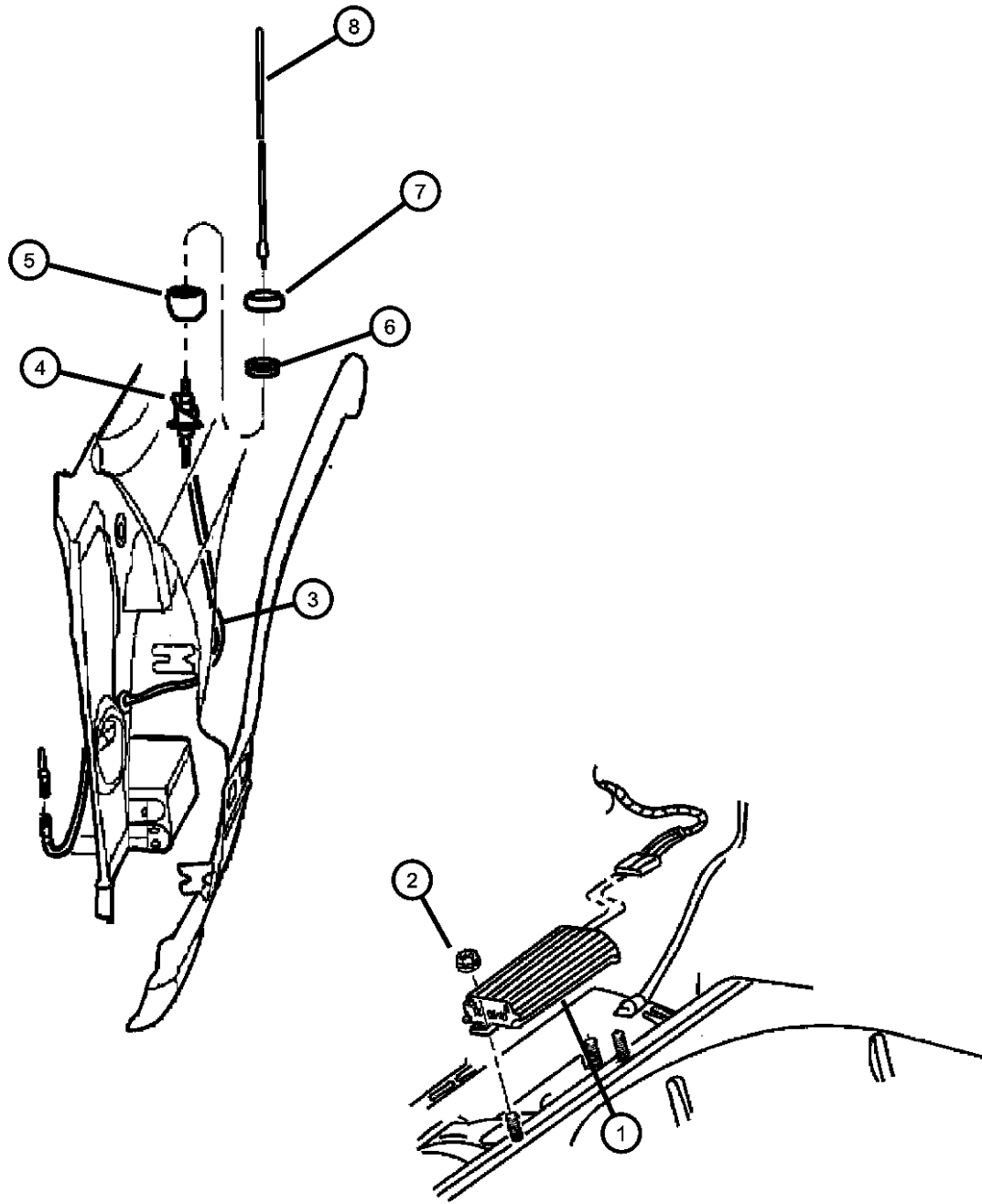
**Antenna
Figure 08A-320**

ITEM	PART NUMBER	QTY	LINE	SERIES	BODY	ENGINE	TRANS	TRIM	DESCRIPTION
------	-------------	-----	------	--------	------	--------	-------	------	-------------

NOTE:

[RCE]=Infinity Speaker System

1	56038407AD	1							AMPLIFIER, Radio, [RCE]
2	06100048	2							NUT, Hex, M6x1.00
3	56038513AF	1							CABLE, Antenna
4	56038412AB	1							BASE, Antenna
5	56009375AB	1							ESCUTCHEON, Antenna
6	04685301	1							CAP NUT, Antenna, Black
7	04685498	1							SHROUD, Antenna Cap Nut
8	04685574	1							MAST, Antenna, Black



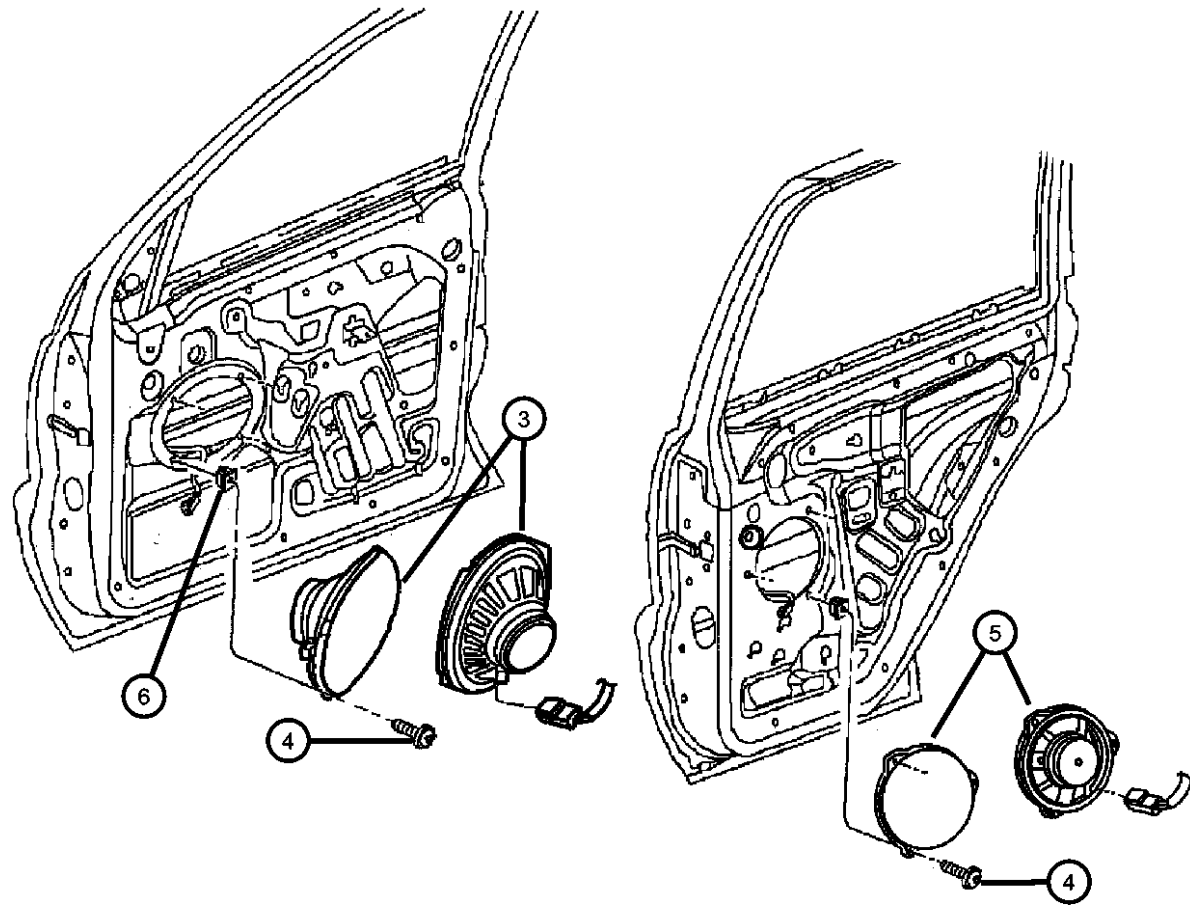
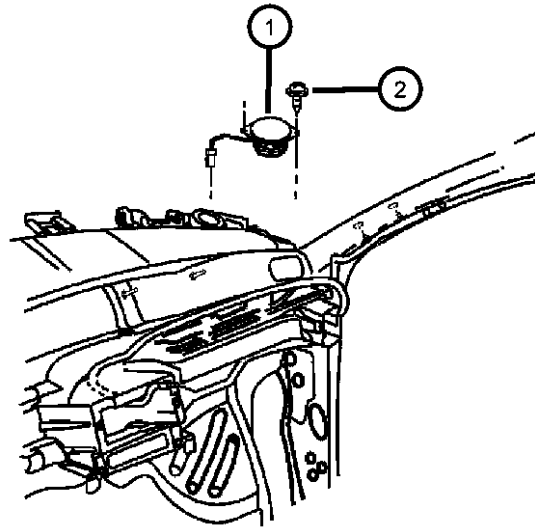
GRAND CHEROKEE (WJ)

SERIES	LINE	BODY	ENGINE	TRANSMISSION
H = Laredo	T = JEEP - 2WD	74 = SPORT UTILITY 4-DR	ERH = ENGINE - 4.0L POWER TECH I-6	DGK = TRANSMISSION - 4-SPD. AUTOMATIC, 42RE
P = Limited	J = JEEP - 4WD		EVA = ENGINE- 4.7L V8 MPI	DGQ = TRANSMISSION-5SPD AUTOMATIC 5-45RFE DGO = ALL AUTOMATIC TRANSMISSIONS

AR = use ase required - = Non illustrated part

2001 WJ

Speakers Figure 08A-325



ITEM	PART NUMBER	QTY	LINE	SERIES	BODY	ENGINE	TRANS	TRIM	DESCRIPTION
[RCE]=Infinity Speaker System [RCG]=Standard Speaker System									
1	56038411AC	2							SPEAKER, Instrument Panel, [RCE] Infinity
2	06101946	3							SCREW, Tapping
3									SPEAKER, 6"X9"
	56038409AC	2							[RCE] Infinity
	56042131AB	2							[RCG] Standard
4	56042131AB	2							SCREW, (NOT SERVICED),
5									SPEAKER, 6.5"
	56038408AB	2							[RCG] Standard
	56038410AC	2							[RCE] Infinity
6	06036098AA	8							NUT, Plastic Snap-in
-7	56038612AA	2							SPEAKER, Tweeter, [RCG] Standard

GRAND CHEROKEE (WJ)

SERIES	LINE
H = Laredo	T = JEEP - 2WD
P = Limited	J = JEEP - 4WD

BODY
74 = SPORT UTILITY 4-DR

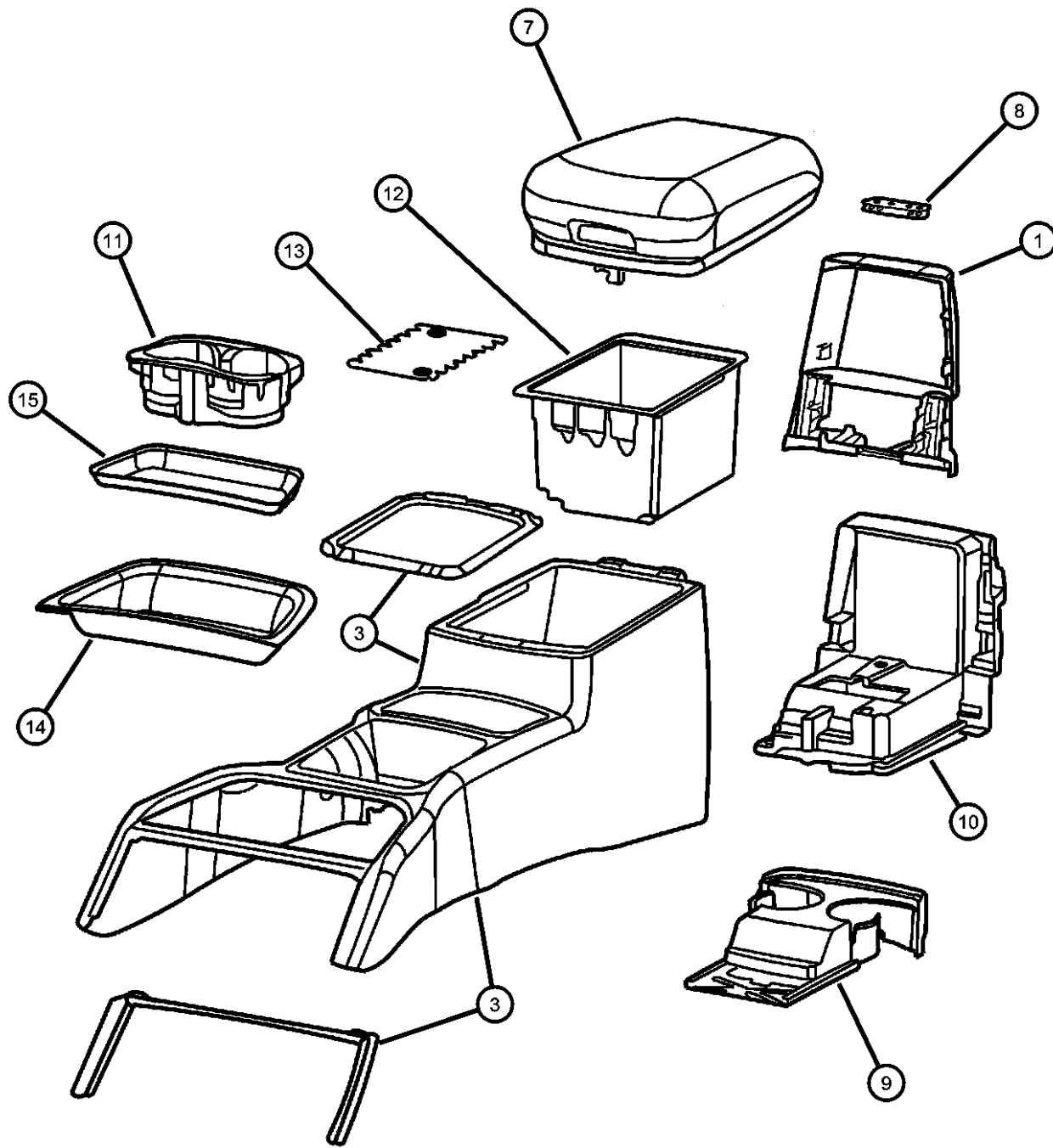
ENGINE
ERH = ENGINE - 4.0L POWER TECH I-6
EVA = ENGINE- 4.7L V8 MPI

TRANSMISSION
DGK = TRANSMISSION - 4-SPD. AUTOMATIC, 42RE
DGQ = TRANSMISSION-5SPD AUTOMATIC 5-45RFE
DGO = ALL AUTOMATIC TRANSMISSIONS

AR = use ase required - = Non illustrated part

2001 WJ

Floor Console
Figure 08A-410



ITEM	PART NUMBER	QTY	LINE	SERIES	BODY	ENGINE	TRANS	TRIM	DESCRIPTION
1	0QP97LAZAA	1							PANEL, Console [AZ]
	0QP97WL5AA	1							[L5]
	0QP97XT5AA	1							[T5]
-2	05014295AA	1							LATCH, Console Lock
3	0SH131AZAB	1							CONSOLE, Base [AZ]
	0SH131L5AB	1							[L5]
	0SH131T5AB	1							[T5]
-4	06032452	5							SCREW, Self Piercing, .164-15x.625
-5	06032838	2							CLIP, .500x.417x.500
-6	06034319	2							CLIP, .453Wx.528LGx.017THK
7	5FW581AZAB	1							LID, Floor Console Bin [AZ]
	5FW581L5AB	1							[L5]
	5FW581T5AB	1							[T5]
8	55196773AA	1							HINGE, Floor Console Lid
9	5GL541AZAB	1							CUPHOLDER, Floor Console [AZ] Front
	5GL541L5AB	1							[L5] Front
	5GL541T5AB	1							[T5] Front
10	55196718AB	1							PLATE, Floor Console
11	55196713AA	1							CUPHOLDER, Floor Console, Front
12	55196664AB	1							BIN, Floor Console, with Mat
13	55196665	1							MAT, Storage Tray
14	55196667AB	1							BIN, Floor Console
15	55196669AB	1							MAT, Storage Tray
-16	55196669AB	1							SCREW, .164-18x.50, (NOT SERVICED)
-17	05066456AA	2							BUMPER, Rubber

GRAND CHEROKEE (WJ)

SERIES LINE
H = Laredo T = JEEP - 2WD
P = Limited J = JEEP - 4WD

BODY
74 = SPORT UTILITY 4-DR

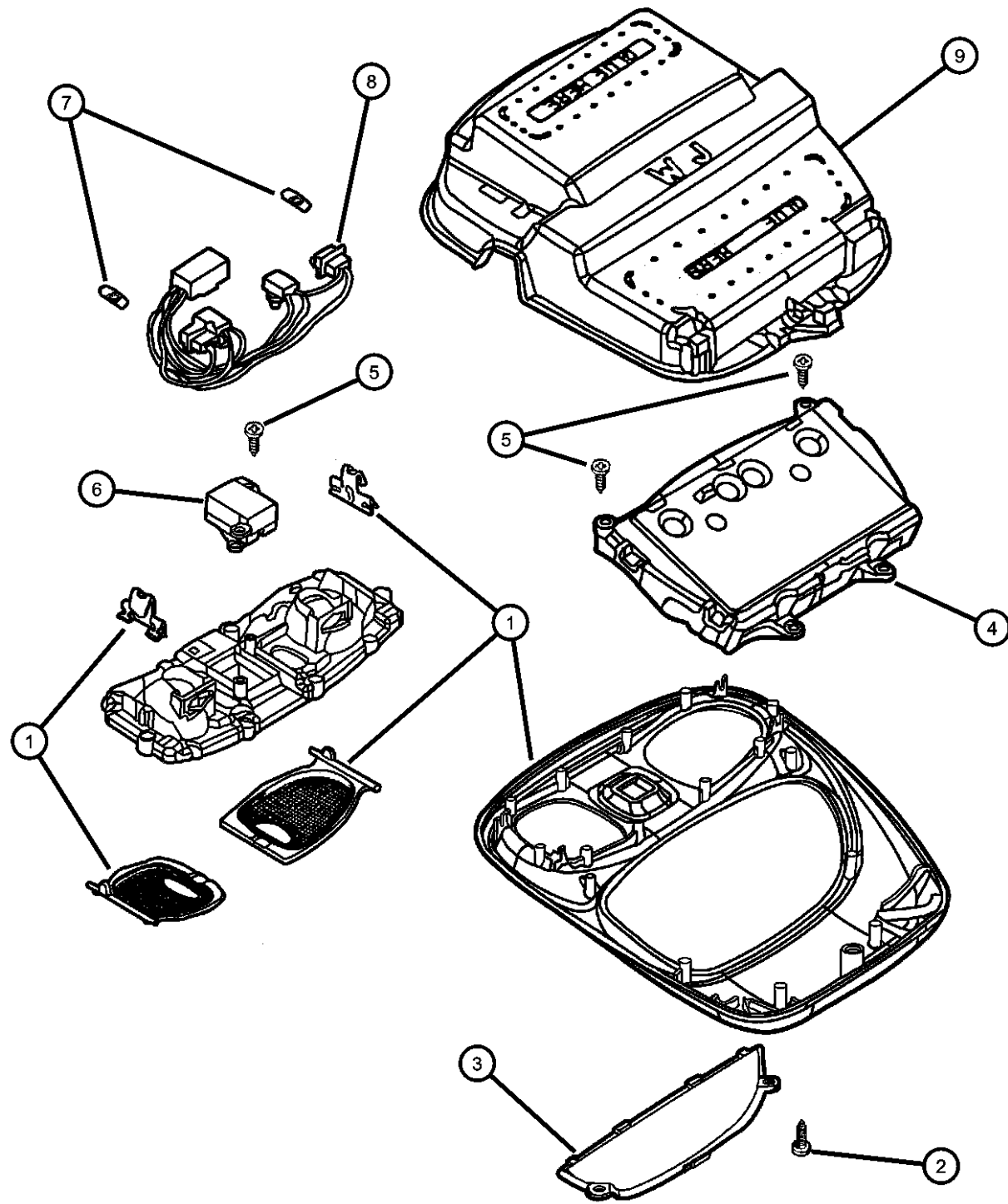
ENGINE
ERH = ENGINE - 4.0L
POWER TECH I-6
EVA = ENGINE- 4.7L V8 MPI

TRANSMISSION
DGK = TRANSMISSION - 4-SPD.
AUTOMATIC, 42RE
DGG = TRANSMISSION-5SPD
AUTOMATIC 5-45RFE
DGO = ALL AUTOMATIC
TRANSMISSIONS

AR = use ase required - = Non illustrated part

2001 WJ

Overhead Console
Figure 08A-420



ITEM	PART NUMBER	QTY	LINE	SERIES	BODY	ENGINE	TRANS	TRIM	DESCRIPTION
1	0SF611L2AA	1							CONSOLE, Overhead Mini, Less Electronics
	0SF621L2AA	1							[AZ] without Illuminated Visor & without Sunroof
	0SF621L2AA	1							[AZ] with Illuminated Visor, Universal Garage Door Opener & with Sunroof
2	0SF621L2AA	1							SCREW, .164-18x.500, (NOT SERVICED),
3	05012882AA	AR							LENS, Message Center
4	56042749AA	1							MODULE, Compass Temperature with Universal Garage Door Opener
	56042754AA	1							without Universal Garage Door Opener
5	56042754AA	1							SCREW, (NOT SERVICED),
6	56042064	1							SWITCH, 1 Gang
7	L0000192	2							BULB, 192
8	55196754AA	1							WIRING, Overhead Lighting
9	55196782AB	1							RETAINER, Headliner

GRAND CHEROKEE (WJ)

SERIES LINE
H = Laredo T = JEEP - 2WD
P = Limited J = JEEP - 4WD

BODY
74 = SPORT UTILITY 4-DR

ENGINE
ERH = ENGINE - 4.0L POWER TECH I-6
EVA = ENGINE- 4.7L V8 MPI

TRANSMISSION
DGK = TRANSMISSION - 4-SPD. AUTOMATIC, 42RE
DGQ = TRANSMISSION-5SPD AUTOMATIC 5-45RFE
DGO = ALL AUTOMATIC TRANSMISSIONS

AR = use ase required - = Non illustrated part

2001 WJ

Group - 9

Engine Mounting

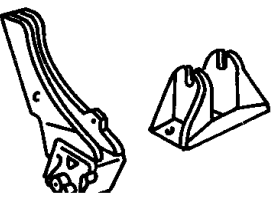
Group - 9 Engine Mounting

Group-Fig. No.

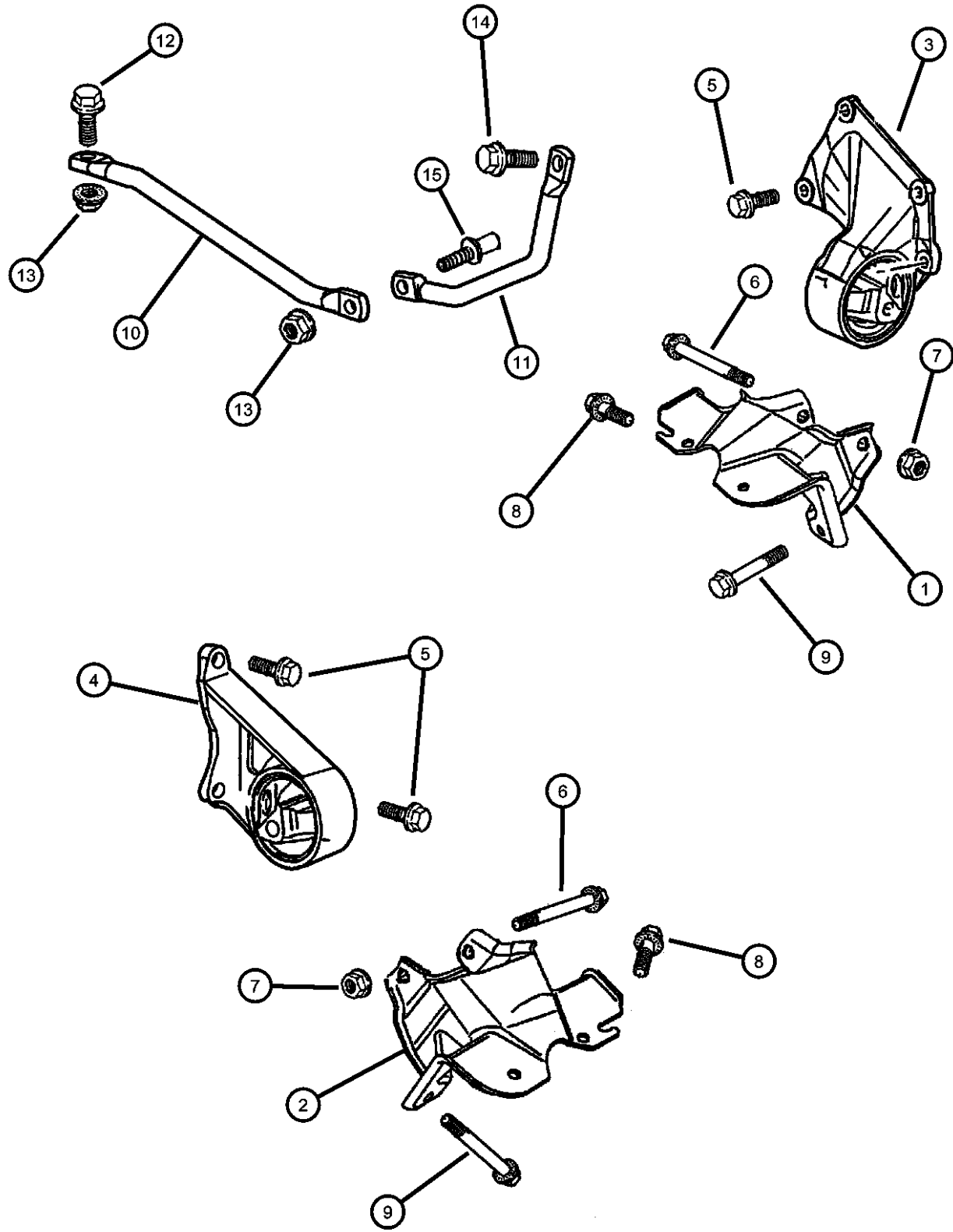
Illustration Title

Engine Mounting

Engine Mounting, Front, 4.0 (ERH)	Fig. 9 - 110
Engine Mounting, Rear, 4.0 (ERH).....	Fig. 9 - 120
Engine Mounting, Front, 4.7 (EVA)	Fig. 9 - 130
Engine Mounting, Rear, 4.7 (EVA)	Fig. 9 - 140

<p>009-100 Engine Mounting</p> 			
--	--	--	--

**Engine Mounting, Front, 4.0 (ERH)
Figure 9-110**



ITEM	PART NUMBER	QTY	LINE	SERIES	BODY	ENGINE	TRANS	TRIM	DESCRIPTION
------	-------------	-----	------	--------	------	--------	-------	------	-------------

NOTE:
ER0 = All 4.0L Engines
EVO = All 4.7L Engines
DG0 = All Automatic Transmissions

1	52058930AB	1				ER0, EVO			BRACKET, Engine MountRight
2	52058931AC	1				ER0, EVO			BRACKET, Engine MountLeft
3	52058928	1				ER0			INSULATOR, Engine MountRight
4	52058929AB	1				ER0			INSULATOR, Engine MountLeft
5	06503699	7				ER0			SCREW AND WASHER, Hex Head, M10x1.5x28
6	34202606	2							BOLT, Hex Head
7	06502697	2							NUT, Hex Flange Lock, M12x1.75
8	06503119	4							SCREW AND WASHER, Hex Head, M10x1.5x40
9	06506000AA	4							SCREW AND WASHER
10	52104202	1	J			ER0	DG0		BRACE, Bending Transmission, Bottom
11	52104204	1	J			ER0	DG0		BRACE, Bending Transmission
12	06022266	1	J			ER0	DG0		SCREW, Hex Head, .375-16x1.5
13	06502697	2							NUT, Hex Flange Lock, M12x1.75
14	06025063	1	J			ER0	DG0		SCREW AND WASHER, .375-16x1.125
15	52104250AA	1	J			ER0	DG0		BRACE, Bell Housing

GRAND CHEROKEE (WJ)

SERIES LINE
H = Laredo T = JEEP - 2WD
P = Limited J = JEEP - 4WD

BODY
74 = SPORT UTILITY 4-DR

ENGINE
ERH = ENGINE - 4.0L
POWER TECH I-6
EVA = ENGINE- 4.7L V8 MPI

TRANSMISSION
DGK = TRANSMISSION - 4-SPD.
AUTOMATIC, 42RE
DGQ = TRANSMISSION-5SPD
AUTOMATIC 5-45RFE
DGO = ALL AUTOMATIC
TRANSMISSIONS

AR = use ase required - = Non illustrated part

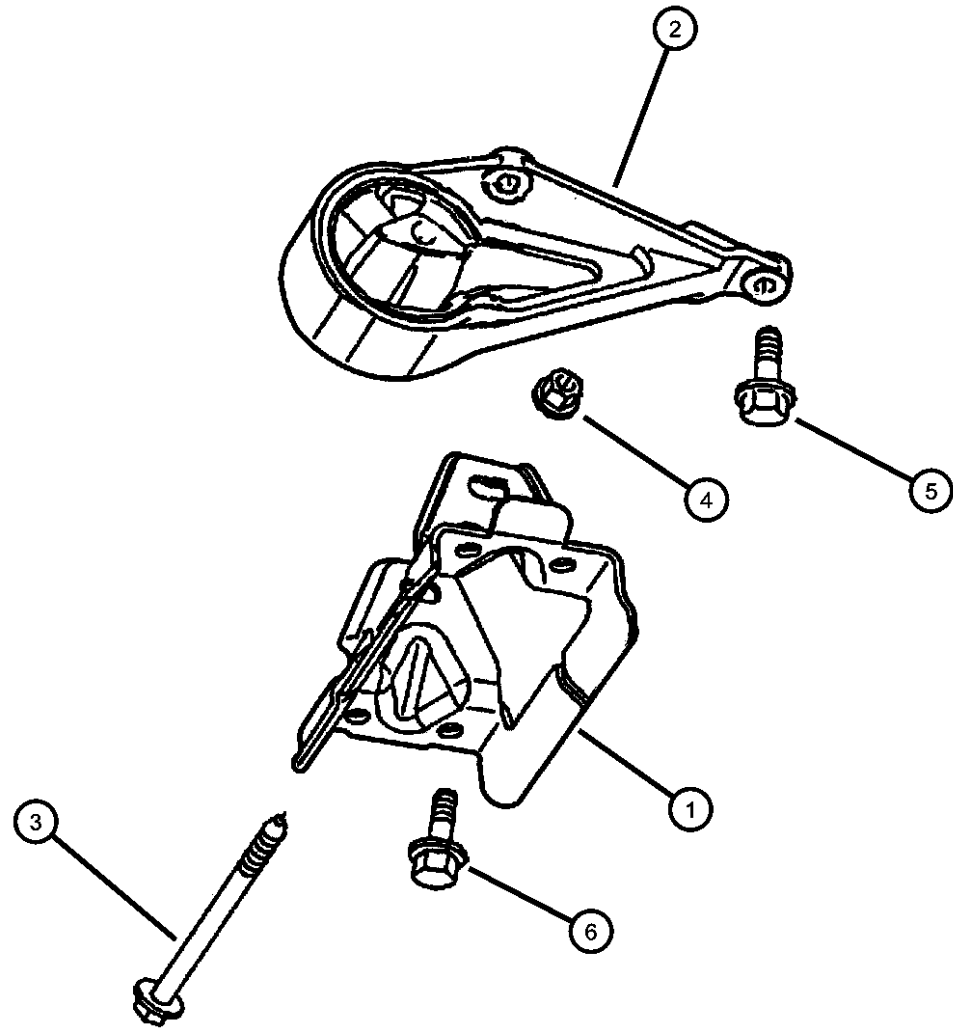
2001 WJ

**Engine Mounting, Rear, 4.0 (ERH)
Figure 9-120**

ITEM	PART NUMBER	QTY	LINE	SERIES	BODY	ENGINE	TRANS	TRIM	DESCRIPTION
------	-------------	-----	------	--------	------	--------	-------	------	-------------

NOTE:
ER0=All 4.0L Engines
EV0=All 4.7L Engines
DGK=Automatic, 4 Speed
DGO=All Automatic Transmissions

1	52058988	1				ER0	DGK		BRACKET, Insulator
2									MOUNT, Transmission
	52058994	1	J			ER0	DGK		
	52058995	1	T			ER0	DGK		
3	06504681	1				ER0			BOLT
4	06502697	1				ER0, EV0			NUT, Hex Flange Lock, M12x1.75
5	06033358	4				ER0	DGO		SCREW AND WASHER, Hex Head Locking, .437-14x1.25
6	06506000AA	4							SCREW AND WASHER



GRAND CHEROKEE (WJ)

SERIES LINE
H = Laredo T = JEEP - 2WD
P = Limited J = JEEP - 4WD

BODY
74 = SPORT UTILITY 4-DR

ENGINE
ERH = ENGINE - 4.0L
POWER TECH I-6
EVA = ENGINE- 4.7L V8 MPI

TRANSMISSION
DGK = TRANSMISSION - 4-SPD.
AUTOMATIC, 42RE
DGQ = TRANSMISSION-5SPD
AUTOMATIC 5-45RFE
DGO = ALL AUTOMATIC
TRANSMISSIONS

AR = use ase required - = Non illustrated part

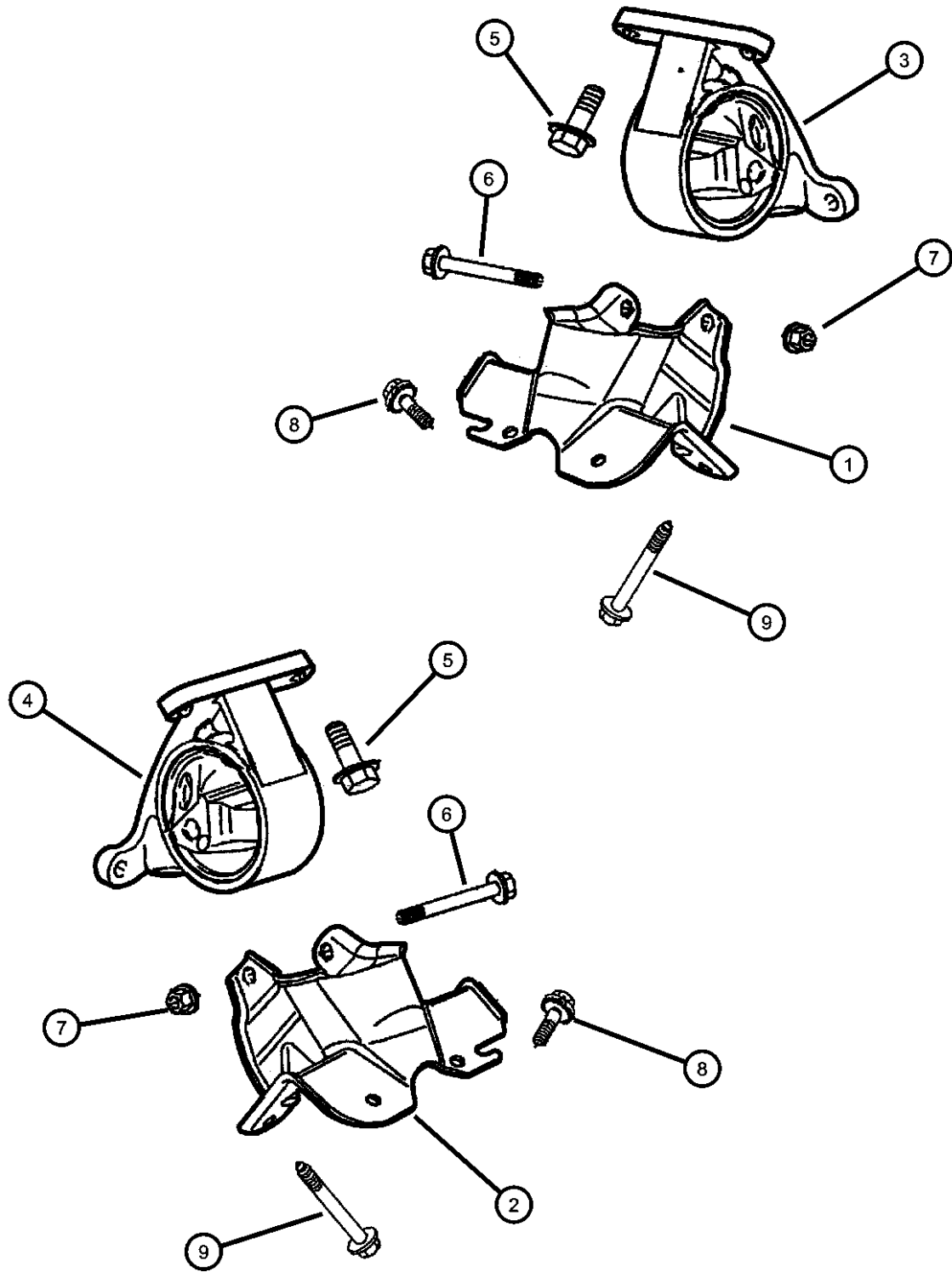
2001 WJ

**Engine Mounting, Front, 4.7 (EVA)
Figure 9-130**

ITEM	PART NUMBER	QTY	LINE	SERIES	BODY	ENGINE	TRANS	TRIM	DESCRIPTION
------	-------------	-----	------	--------	------	--------	-------	------	-------------

NOTE:
ER0 = All 4.0L Engines
EV0 = All 4.7L Engines
DG4 = Automatic, Multi-Speed

1	52058930AB	1				ER0, EV0			BRACKET, Engine MountRight
2	52058931AC	1				ER0, EV0			BRACKET, Engine MountLeft
3	52058936AC	1				EV0			INSULATOR, Engine MountRight
4	52058937AC	1				EV0			INSULATOR, Engine MountLeft
5	06503699	8				EV0			SCREW AND WASHER, Hex Head, M10x1.5x28
6	34202606	2							BOLT, Hex Head
7	06502697	2							NUT, Hex Flange Lock, M12x1.75
8	06503119	4							SCREW AND WASHER, Hex Head, M10x1.5x40
9	06506000AA	4							SCREW AND WASHER



GRAND CHEROKEE (WJ)

SERIES	LINE
H = Laredo	T = JEEP - 2WD
P = Limited	J = JEEP - 4WD

BODY
74 = SPORT UTILITY 4-DR

ENGINE
ERH = ENGINE - 4.0L POWER TECH I-6
EVA = ENGINE- 4.7L V8 MPI

TRANSMISSION
DGK = TRANSMISSION - 4-SPD. AUTOMATIC, 42RE
DGQ = TRANSMISSION-5SPD AUTOMATIC 5-45RFE
DGO = ALL AUTOMATIC TRANSMISSIONS

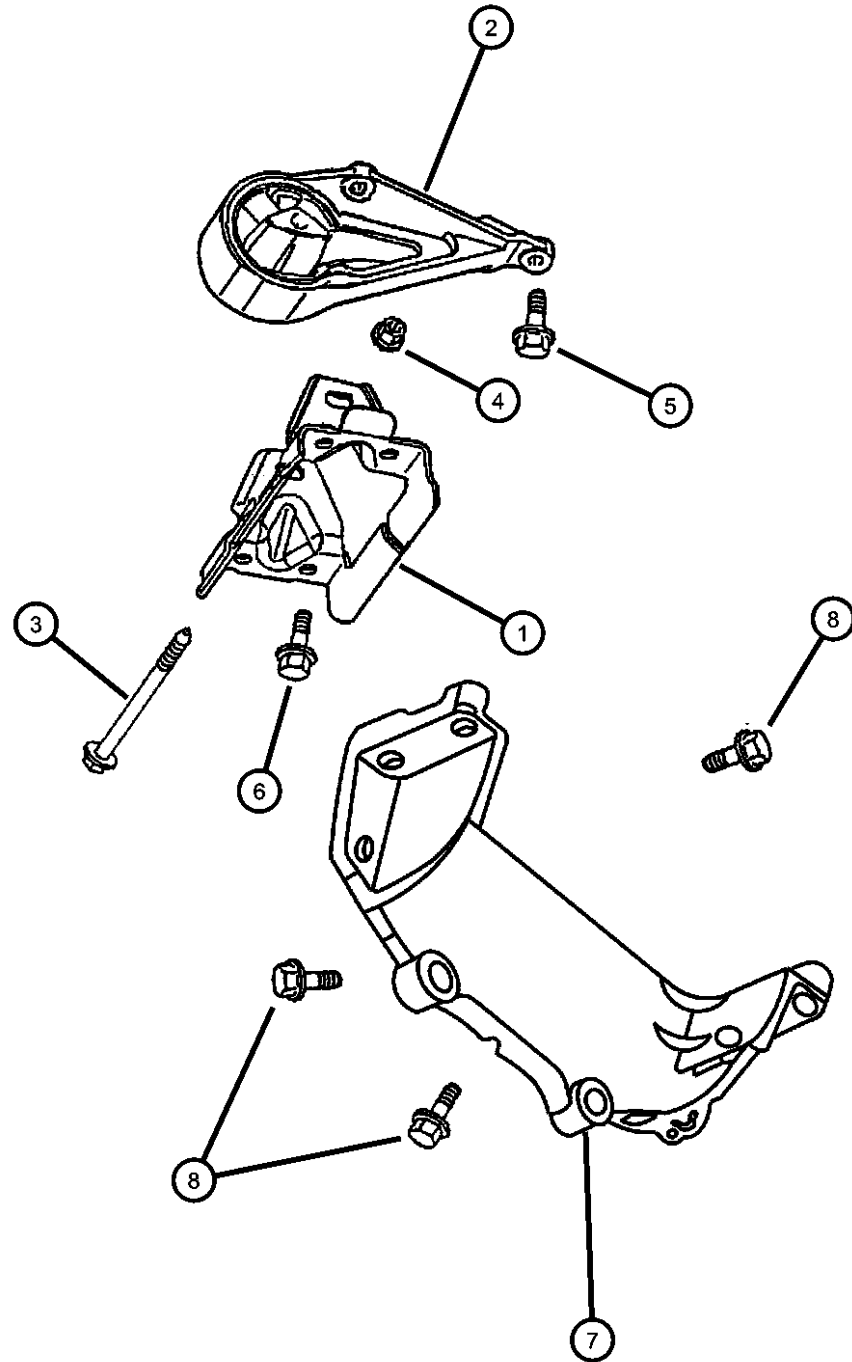
AR = use ase required - = Non illustrated part

2001 WJ

**Engine Mounting, Rear, 4.7 (EVA)
Figure 9-140**

ITEM	PART NUMBER	QTY	LINE	SERIES	BODY	ENGINE	TRANS	TRIM	DESCRIPTION
------	-------------	-----	------	--------	------	--------	-------	------	-------------

Note Sales Codes
 [DG0]= All Automatic Transmissions
 [ER0]= All 4.0L, 6 Cylinder Gas Engines
 [EV0]= All 4.7L, 8 Cylinder Gas Engines



1	52058988	1	J			EV0	DG0		BRACKET, Insulator
	52058992	1	T			EV0	DG0		
2	52058996	1	J			EV0	DG0		MOUNT, Transmission
	52058997	1	T			EV0	DG0		
3	06504681	1				EV0			BOLT
4	06502697	1				ER0, EV0			NUT, Hex Flange Lock, M12x1.75
5	06503699	4	J			EV0	DG0		SCREW AND WASHER, Hex Head, M10x1.5x28
6	06506000AA	4							SCREW AND WASHER
7	53020885	1				EV0	DG0		COVER, Bedplate
8	06101985	8				EV0			SCREW AND WASHER, M10x1.50x45.00

GRAND CHEROKEE (WJ)

SERIES	LINE
H = Laredo	T = JEEP - 2WD
P = Limited	J = JEEP - 4WD

BODY
 74 = SPORT UTILITY 4-DR

ENGINE
 ERH = ENGINE - 4.0L
 POWER TECH I-6
 EVA = ENGINE- 4.7L V8 MPI

TRANSMISSION
 DGK = TRANSMISSION - 4-SPD.
 AUTOMATIC, 42RE
 DGQ = TRANSMISSION-5SPD
 AUTOMATIC 5-45RFE
 DGO = ALL AUTOMATIC
 TRANSMISSIONS

AR = use ase required - = Non illustrated part

2001 WJ

Group - 4.0L

Engine 4.0L Six Cylinder

Group - 4.0L Engine 4.0L Six Cylinder

Illustration Title

Group-Fig. No.

Cylinder Head

Cylinder Head, 4.0 (ERH) Fig. 4.0L - 210

Cylinder Block

Cylinder Block, 4.0 (ERH) Fig. 4.0L - 310

Crankshaft, Piston and Torque Converter

Crankshaft, Piston and Torque Converter, 4.0 (ERH) Fig. 4.0L - 410

Camshafts & Valves

Camshaft and Valves, 4.0 (ERH) Fig. 4.0L - 510

Timing Belt and Cover

Timing Belt and Cover, 4.0 (ERH) Fig. 4.0L - 610

Engine Oiling

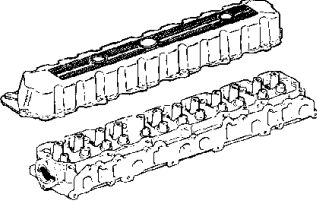
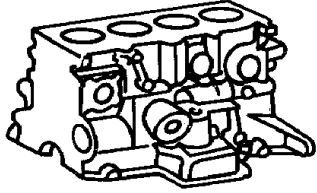
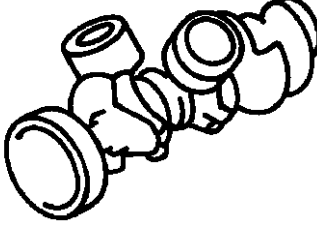
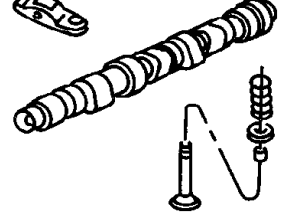
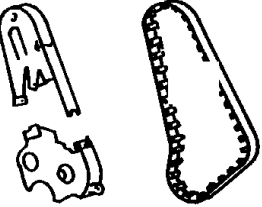
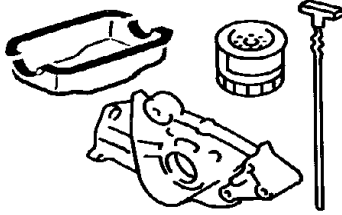
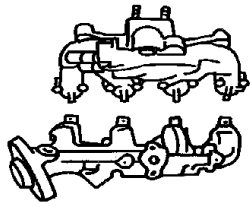
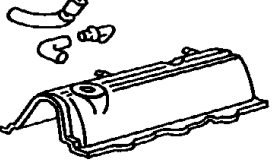
Engine Oiling, 4.0 (ERH) Fig. 4.0L - 710

Manifolds

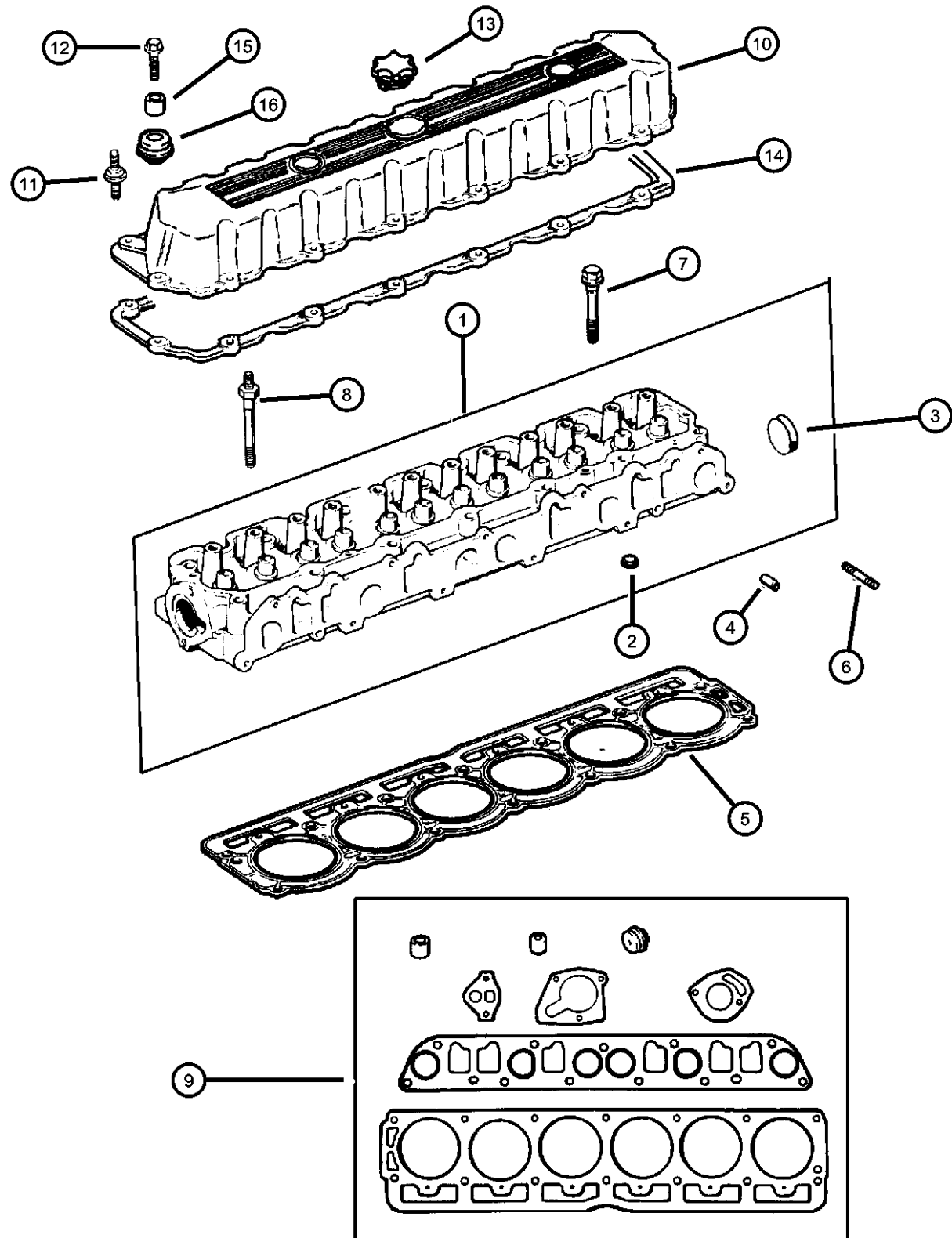
Manifold, Intake and Exhaust, 4.0 (ERH)..... Fig. 4.0L - 810

Crankcase Ventilation

Crankcase Ventilation, 4.0 (ERH)..... Fig. 4.0L - 910

<p>4.0L-200 Cylinder Head</p> 	<p>4.0L-300 Cylinder Block</p> 	<p>4.0L-400 Crankshaft, Piston and Torque Converter</p> 	<p>4.0L-500 Camshafts & Valves</p> 
<p>4.0L-600 Timing Belt and Cover</p> 	<p>4.0L-700 Engine Oiling</p> 	<p>4.0L-800 Manifolds</p> 	<p>4.0L-900 Crankcase Ventilation</p> 

**Cylinder Head, 4.0 (ERH)
Figure 4.0L-210**



ITEM	PART NUMBER	QTY	LINE	SERIES	BODY	ENGINE	TRANS	TRIM	DESCRIPTION
Note; Sales Codes [ER0]= All 4.0L, 6 Cylinder Gas Engines									
1	53010334	1				ER0			HEAD, Cylinder
2	J4007434	4				ER0			PLUG, Cylinder Block Oil Hole
3	J3105394	6				ER0			PLUG, Cylinder Block Oil Hole, Freeze Plug 2 Inch
4	J3172318	2				ER0			DOWEL, Cylinder Head To Intake
5	53020754AB	1				ER0			GASKET, Cylinder Head
6	06036193AA	2				ER0			STUD, .375-16/.375-24x1.75
7									BOLT, Cylinder Head
	06035514	5				ER0			
	06035515	2				ER0			
8	06035516	6				ER0			STUD, Double Ended, .50-13/.437-14x6.00
9	05012365AA	1				ER0			GASKET PACKAGE, Engine Upper
10	53020323	1				ER0			COVER, Cylinder Head
11	06035968AA	7				ER0			STUD, .250-20x2.00
12	06035566	8				ER0			BOLT, Hex Flange Head, .250-20x1.00
13	04777536	1				ER0			CAP, Oil Filler
14	53020758AC	1				ER0			GASKET, Valve Cover
15	53020598AB	15				ER0			SLEEVE, Torque Limiter
16	53010424AB	15				ER0			GROMMET, Insulator

GRAND CHEROKEE (WJ)

SERIES	LINE
H = Laredo	T = JEEP - 2WD
P = Limited	J = JEEP - 4WD

BODY
74 = SPORT UTILITY 4-DR

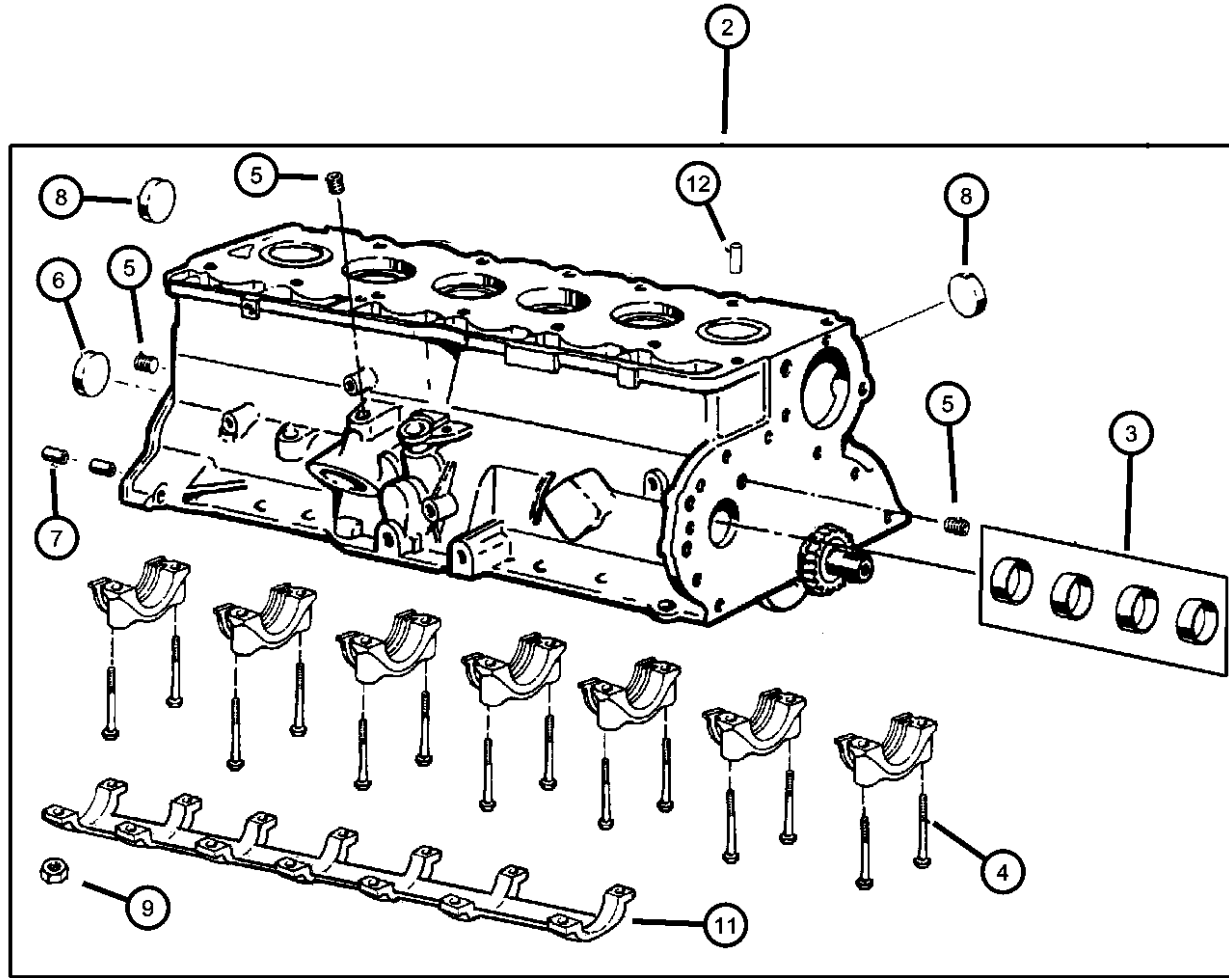
ENGINE
ERH = ENGINE - 4.0L POWER TECH I-6
EVA = ENGINE- 4.7L V8 MPI

TRANSMISSION
DGK = TRANSMISSION - 4-SPD. AUTOMATIC, 42RE
DGQ = TRANSMISSION-5SPD AUTOMATIC 5-45RFE
DGO = ALL AUTOMATIC TRANSMISSIONS

AR = use ase required - = Non illustrated part

2001 WJ

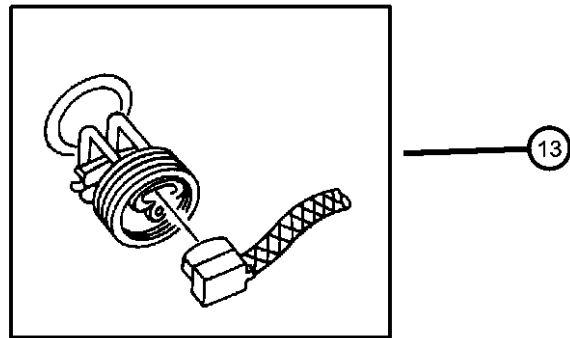
**Cylinder Block, 4.0 (ERH)
Figure 4.0L-310**



ITEM	PART NUMBER	QTY	LINE	SERIES	BODY	ENGINE	TRANS	TRIM	DESCRIPTION
------	-------------	-----	------	--------	------	--------	-------	------	-------------

Lower Engine Gasket Package - Contains: Oil Pump, Water Pump, Oil Pan and Front Cover Gaskets and Front and Rear Crank Seals
NOTE: ERO=All 4.0L Engines

-1	05017432AA	1				ER0			GASKET PACKAGE, Engine Lower, See Notes
2	05013161AC	1				ER0			BLOCK, Short, Contains: Crank, Rods, Pistons, Rings, Cam Bearings, Timing Chain, Sprockets Mopar Reman Long Block 99-04(WJ), 00-04(TJ)
3	04636985AB	1				ER0			BEARING PACKAGE, Camshaft, Standard Size
4	06035207	14				ER0			STUD, .500-13/.375-16x3.97
5	06034166	3				ER0			PLUG, Cylinder Block Oil Hole
6	J3172313	1				ER0			PLUG, Camshaft
7	J4005148	2				ER0			DOWEL, Transmission
8	J3105394	6				ER0			PLUG, Cylinder Block Oil Hole
9	00152474	14				ER0			NUT, Hex Flange Lock, .375-16
-10	53020465	1				ER0			PLUG, Cylinder Block, Rubber Type
11	53020566	1				ER0			BRACE, Main Bearing Cap
12	00141215	2				ER0			DOWEL, .312 x .500
13	82201506	1				ER0			HEATER PACKAGE, Engine Block



GRAND CHEROKEE (WJ)

SERIES	LINE
H = Laredo	T = JEEP - 2WD
P = Limited	J = JEEP - 4WD

BODY
74 = SPORT UTILITY 4-DR

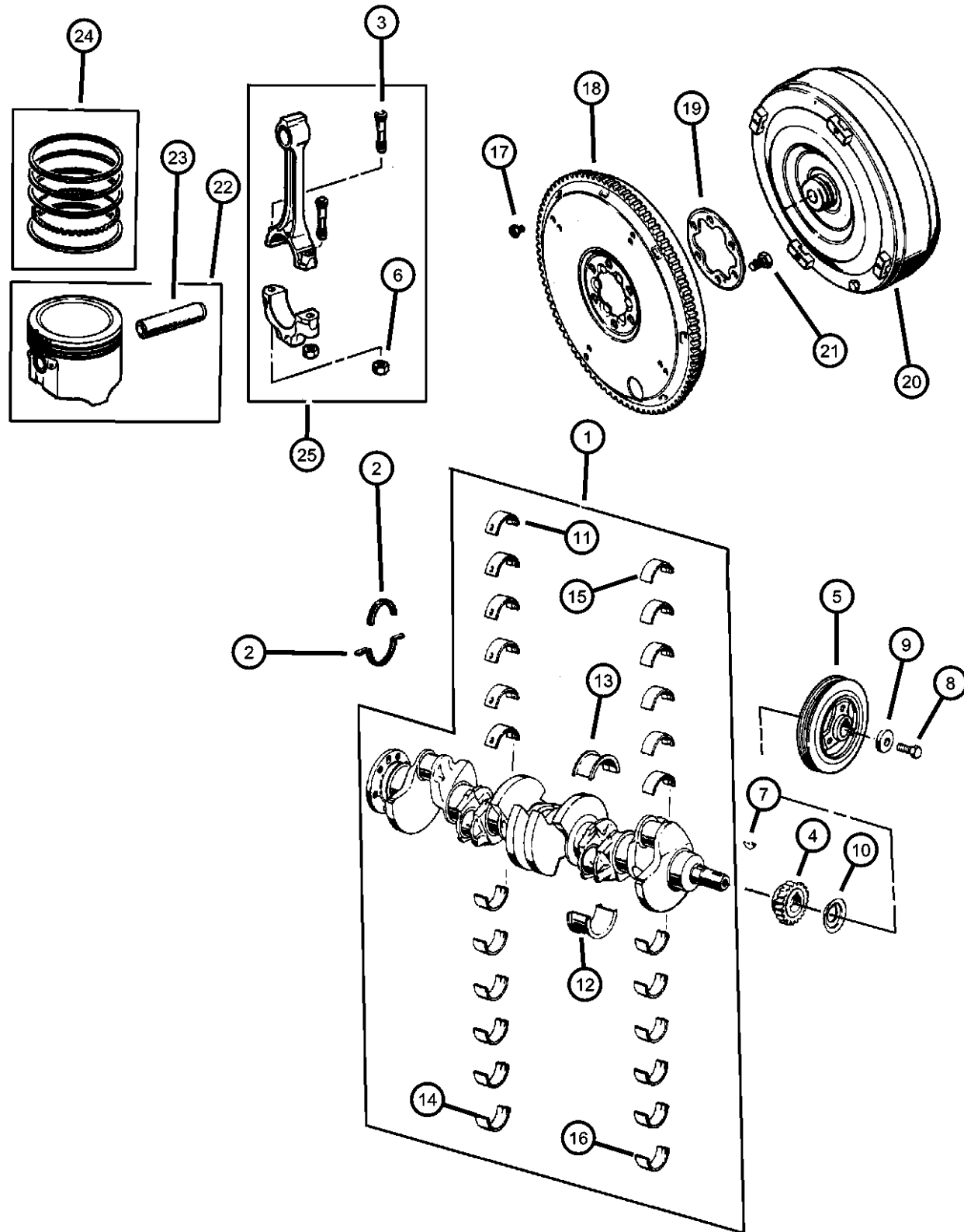
ENGINE
ERH = ENGINE - 4.0L
POWER TECH I-6
EVA = ENGINE- 4.7L V8 MPI

TRANSMISSION
DGK = TRANSMISSION - 4-SPD.
AUTOMATIC, 42RE
DGQ = TRANSMISSION-5SPD
AUTOMATIC 5-45RFE
DGO = ALL AUTOMATIC
TRANSMISSIONS

AR = use ase required - = Non illustrated part

2001 WJ

Crankshaft, Piston and Torque Converter, 4.0 (ERH)
Figure 4.0L-410



ITEM	PART NUMBER	QTY	LINE	SERIES	BODY	ENGINE	TRANS	TRIM	DESCRIPTION
NOTE: ER0=All 4.0L Engines DG0=All Automatic Transmissions									
1	04864726AB	1				ER0	DG0		CRANKSHAFT
2	53020599AB	2				ER0			SEAL, Rear Main Crankshaft
3	53020123	12				ER0			BOLT, Connecting Rod
4	53020443	1				ER0			GEAR, Crankshaft
5	33002920AB	1				ER0			DAMPER, Crankshaft
6	J4006385	12				ER0			NUT, Hex Flange, .3437-24
7	06034749	1				ER0			KEY, Crankshaft Sprocket
8	00182776	1				ER0			BOLT
9	J3230155	1				ER0			WASHER, Plain
10	J3230155	1							SLINGER, Oil, (NOT REQUIRED)
11	83507079	6				ER0			BEARING PACKAGE, Crankshaft, Standard
12	83507080	AR				ER0			BEARING PACKAGE, Crankshaft, .001 Undersize
13	83507084	AR				ER0			BEARING PACKAGE, Crankshaft Thrust, Standard Size
14	83507086	AR				ER0			BEARING PACKAGE, Crankshaft Thrust, .001" Undersize
15	83500300AB	6				ER0			BEARING KIT, Connecting Rod, Standard
16	83501397AB	AR				ER0			BEARING KIT, Connecting Rod, .001 Undersize
17	01949765	4					DG0		SCREW, Hex Head Header Point, .312-24x.44
18	52118257	1				ER0	DG0		PLATE, Drive Plate
19	J3214094	1				ER0	DG0		PLATE, Drive Plate Backing
20	04736596	1				ER0	DG0		TORQUE CONVERTER
	R4736596								Mopar Remanufactured Part
21	J3151407	6				ER0	DG0		BOLT, Hex Head, .50-20x.56
22									PISTON PIN AND ROD
	04798329AC	6				ER0			B Size, 3.872
	04798330AC	6				ER0			C Size, 3.8746
	04798331AC	6				ER0			D Size, 3.8750
	04798332AC	6				ER0			E Size, 3.8754
	04798333AC	6				ER0			F Size, 3.8758

GRAND CHEROKEE (WJ)

SERIES LINE
H = Laredo T = JEEP - 2WD
P = Limited J = JEEP - 4WD

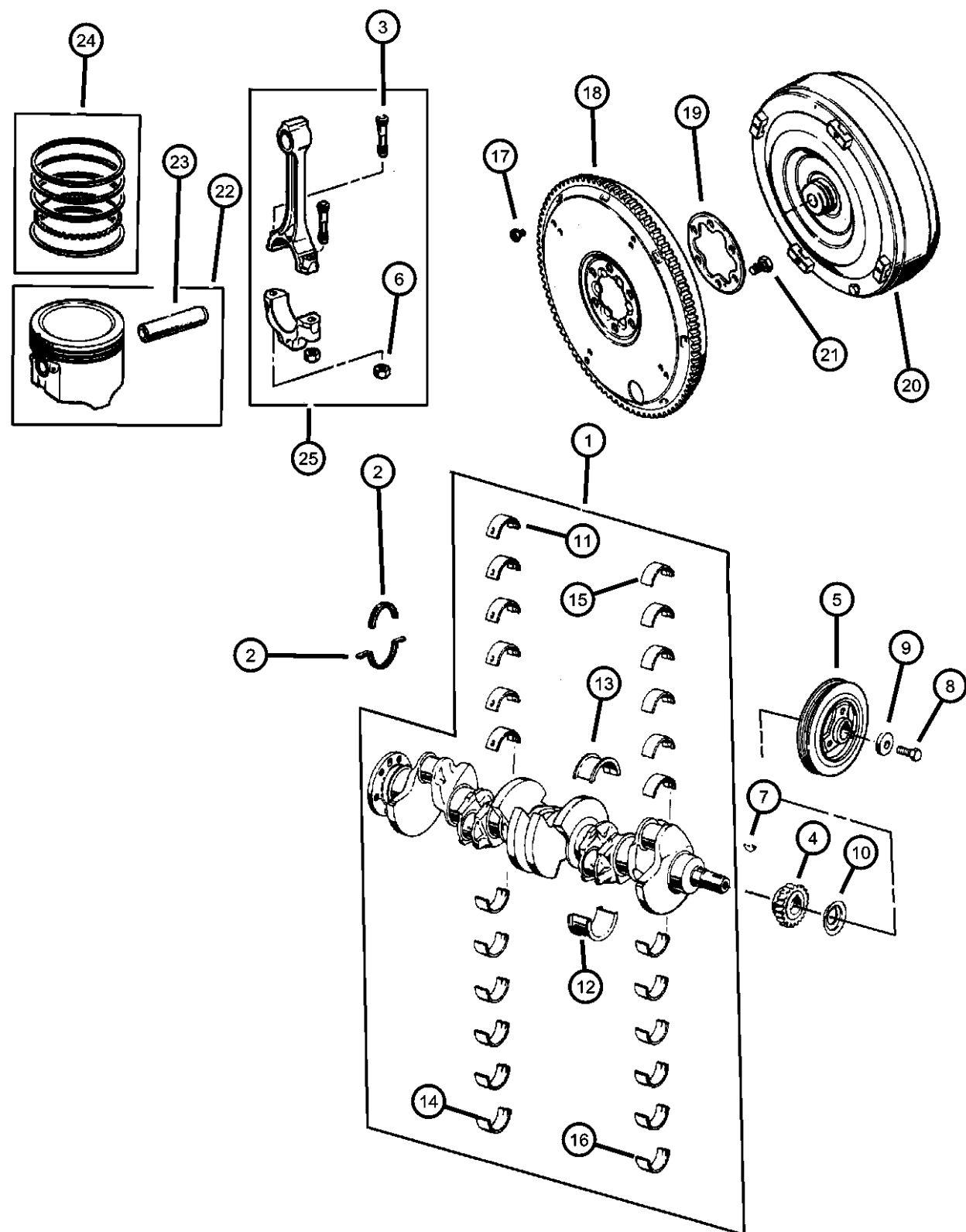
BODY
74 = SPORT UTILITY 4-DR

ENGINE
ERH = ENGINE - 4.0L
POWER TECH I-6
EVA = ENGINE- 4.7L V8 MPI

TRANSMISSION
DGK = TRANSMISSION - 4-SPD.
AUTOMATIC, 42RE
DGQ = TRANSMISSION-5SPD
AUTOMATIC 5-45RFE
DGO = ALL AUTOMATIC
TRANSMISSIONS

AR = use ase required - = Non illustrated part

Crankshaft, Piston and Torque Converter, 4.0 (ERH)
Figure 4.0L-410



ITEM	PART NUMBER	QTY	LINE	SERIES	BODY	ENGINE	TRANS	TRIM	DESCRIPTION
23	04798333AC	6							PIN, Piston, Serviced in Piston, (NOT SERVICED), RING PACKAGE, Piston, Standard Size Complete Engine ROD, Connecting, Serviced in Piston, (NOT SERVICED)
24	04798878	1				ER0			
25	04798878	1							

GRAND CHEROKEE (WJ)

SERIES LINE
H = Laredo T = JEEP - 2WD
P = Limited J = JEEP - 4WD

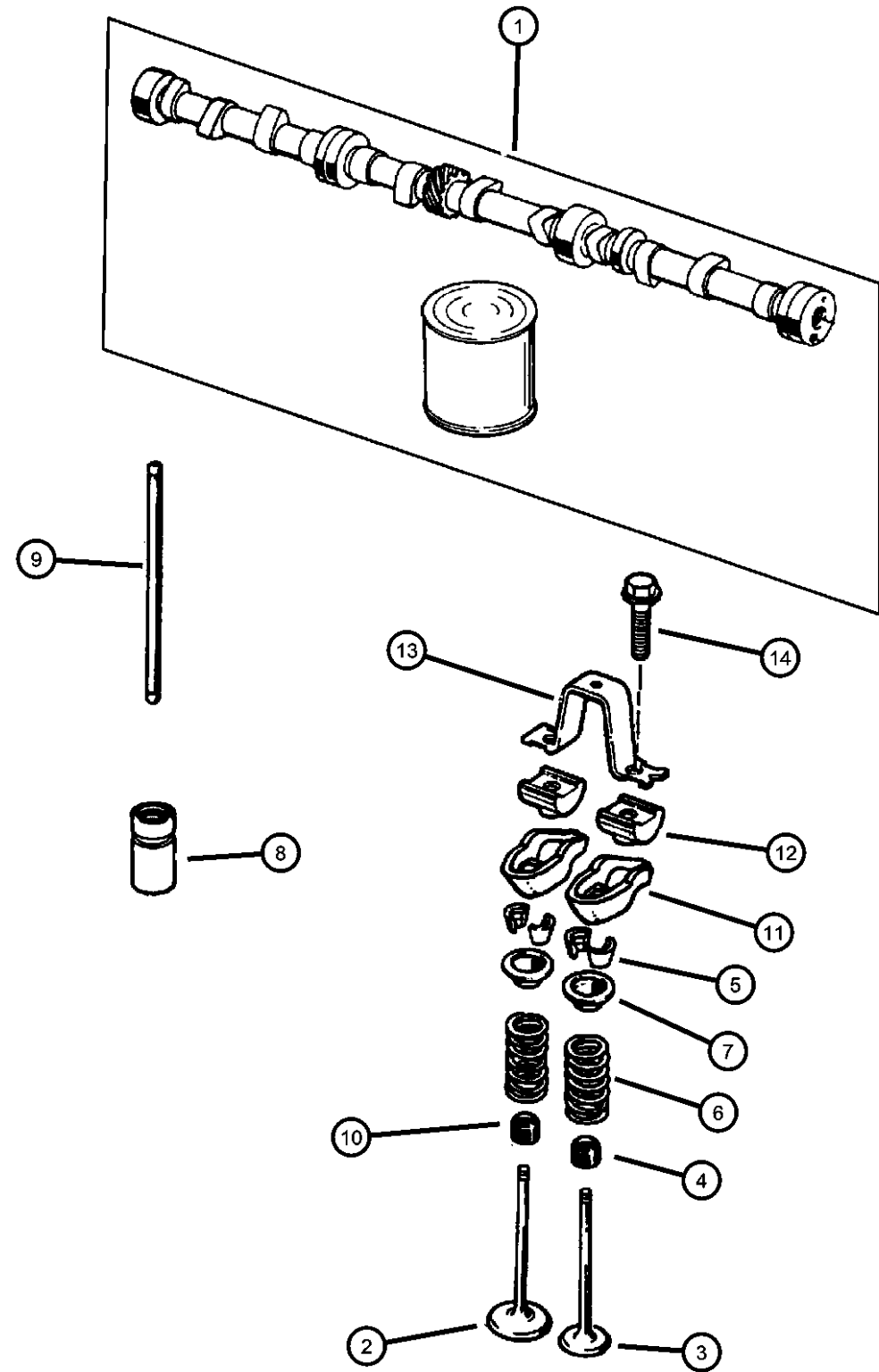
BODY
74 = SPORT UTILITY 4-DR

ENGINE
ERH = ENGINE - 4.0L
POWER TECH I-6
EVA = ENGINE- 4.7L V8 MPI

TRANSMISSION
DGK = TRANSMISSION - 4-SPD.
AUTOMATIC, 42RE
DGQ = TRANSMISSION-5SPD
AUTOMATIC 5-45RFE
DGO = ALL AUTOMATIC
TRANSMISSIONS

AR = use ase required - = Non illustrated part

**Camshaft and Valves, 4.0 (ERH)
Figure 4.0L-510**



ITEM	PART NUMBER	QTY	LINE	SERIES	BODY	ENGINE	TRANS	TRIM	DESCRIPTION
------	-------------	-----	------	--------	------	--------	-------	------	-------------

NOTE: ER0=All 4.0L Engines

1	53010448AA	1				ER0			CAMSHAFT
2	53010512AA	6				ER0			VALVE, Intake, Standard
3	53010513AA	6				ER0			VALVE, Exhaust, Standard
4	53009887	6				ER0			SEAL, Valve GuideExhaust
5	53010515AA	24				ER0			LOCK, Valve Spring Retainer
6	53010388	12				ER0			SPRING, Valve
7	53010514AA	12				ER0			RETAINER, Valve Spring
8	04740269	12				ER0			TAPPET, Valve
9	33002986	12				ER0			PUSH ROD, Valve
10	53009886	6				ER0			SEAL, Valve GuideIntake
11	J3242393	12				ER0			ROCKER ARM, Valve
12	J3235090	12				ER0			PIVOT, Rocker Arm
13	J3236513	6				ER0			BRIDGE, Rocker Arm
14	J9425708	12				ER0			BOLT, Hex Flange Head, .312-18x1.25

GRAND CHEROKEE (WJ)

SERIES LINE
H = Laredo T = JEEP - 2WD
P = Limited J = JEEP - 4WD

BODY
74 = SPORT UTILITY 4-DR

ENGINE
ERH = ENGINE - 4.0L
POWER TECH I-6
EVA = ENGINE- 4.7L V8 MPI

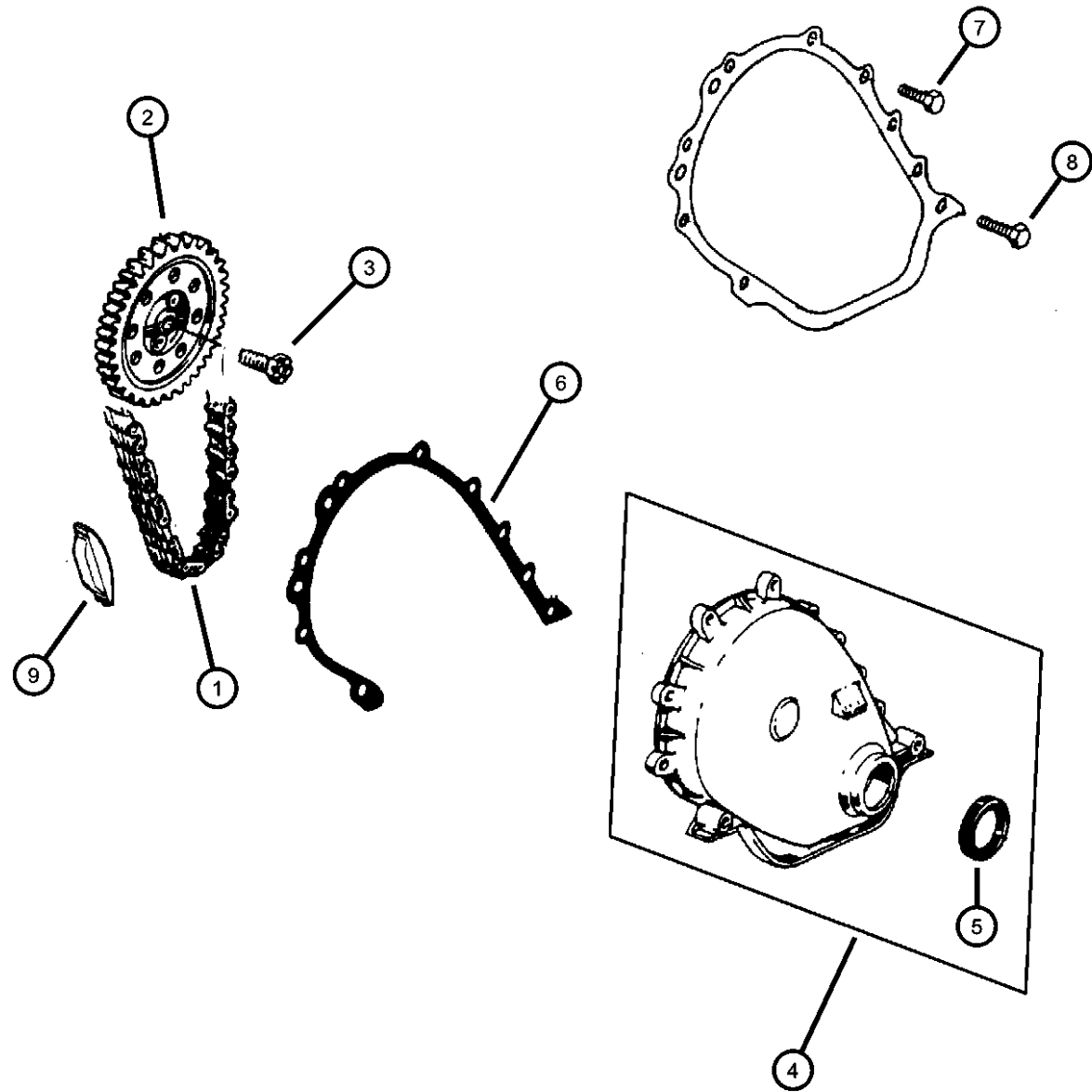
TRANSMISSION
DGK = TRANSMISSION - 4-SPD.
AUTOMATIC, 42RE
DGQ = TRANSMISSION-5SPD
AUTOMATIC 5-45RFE
DGO = ALL AUTOMATIC
TRANSMISSIONS

AR = use ase required - = Non illustrated part

2001 WJ

**Timing Belt and Cover, 4.0 (ERH)
Figure 4.0L-610**

ITEM	PART NUMBER	QTY	LINE	SERIES	BODY	ENGINE	TRANS	TRIM	DESCRIPTION
NOTE: ER0=All 4.0L Engines									
-1	05189875AA	1				ER0			CHAIN PACKAGE, Timing
2	53020444	1				ER0			CHAIN, Timing
3	53010557AA	1				ER0			SPROCKET, Camshaft
4	06024030	1				ER0			SCREW AND WASHER, Hex
5	53010421	1				ER0			COVER, Timing Belt
6	33004681	1				ER0			SEAL, Front Main Crankshaft
7	53020487	1				ER0			GASKET, Front Cover
8	06035893	5				ER0			BOLT, Hex
9									SCREW
	06035894	2				ER0			.312-18x1.56
	06035895	2				ER0			.250-20x1.240
10	33003446	1				ER0			SNUBBER, Timing Chain
-11	53010401	1				ER0			PLATE, Camshaft Thrust
-12	06035975AA	2				ER0			SCREW, Pan Head



GRAND CHEROKEE (WJ)

SERIES LINE
H = Laredo T = JEEP - 2WD
P = Limited J = JEEP - 4WD

BODY
74 = SPORT UTILITY 4-DR

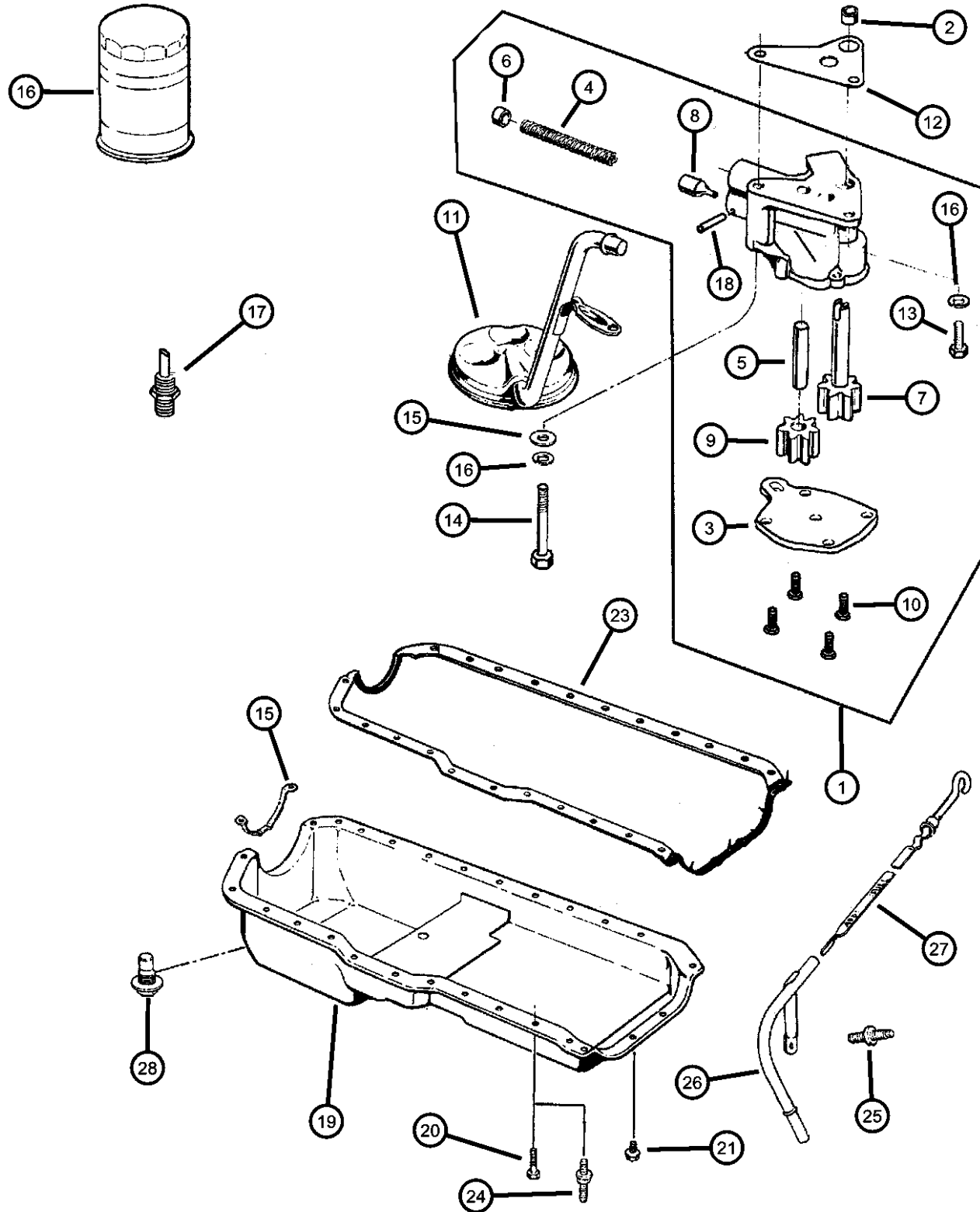
ENGINE
ERH = ENGINE - 4.0L
POWER TECH I-6
EVA = ENGINE- 4.7L V8 MPI

TRANSMISSION
DGK = TRANSMISSION - 4-SPD.
AUTOMATIC, 42RE
DGQ = TRANSMISSION-5SPD
AUTOMATIC 5-45RFE
DGO = ALL AUTOMATIC
TRANSMISSIONS

AR = use ase required - = Non illustrated part

2001 WJ

**Engine Oiling, 4.0 (ERH)
Figure 4.0L-710**



ITEM	PART NUMBER	QTY	LINE	SERIES	BODY	ENGINE	TRANS	TRIM	DESCRIPTION
------	-------------	-----	------	--------	------	--------	-------	------	-------------

NOTE: ER0=All 4.0L Engines

1	J3241399	1				ER0			PUMP, Engine Oil
2	J4005149	1				ER0			DOWEL, Oil Pump
3	J3241733	1				ER0			COVER, Engine Oil Pump
4	J3239668	1				ER0			SPRING, Oil Pressure Relief Valve
5	J3171956	1				ER0			SHAFT, Oil Pump
6	J3171958	1				ER0			RETAINER, Oil Release Valve
7	J3172334	1				ER0			GEAR, Oil Pump
8	J3188661	1				ER0			PLUNGER, Oil Pressure Relief Valve
9	J3196843	1				ER0			GEAR, Oil Pump Driven
10	J9416852	4				ER0			SCREW, Hex Flange Head, .25-20x.50
11	33002696	1				ER0			TUBE, Oil Pump Inlet
12	J3172332	1				ER0			GASKET, Oil Pump
13	06022235	1				ER0			BOLT AND WASHER, Hex Head, .312-18x1.00
14	00154593	1				ER0			SCREW, Hex Head Coned, .312-18x2.625
15	53010511AA	1				ER0			SUPPORT, Engine Oil Pan
16	05281090	1				ER0			FILTER, Engine Oil
	0FE00292								Canadian Aftermarket Part
	05281090BA								BULK PACK (12)
	77060018								Performance Mobil 1, 15W - 50 Tri-Synthetic Engine Oil-Recommended Fill for 6.1L & 8.3L
	P5007323								Performance Mobil 1, 5W - 30 Tri-Synthetic Engine Oil, Quart
17	53007563	1				ER0			CONNECTOR, Oil Filter
18	J0271448	1				ER0			PIN, Roll, 5/32" x 1.00"
19	53010340	1				ER0			PAN, Engine Oil
20	06034732	14				ER0			SCREW AND WASHER, Hex Head, .25-20x.545
21	06034483	3				ER0			SCREW, Hex Head Coned, .312-18x.875
-22	06034733	1				ER0			STUD, .312-18/.250-20x1.680
23	53007568AC	1				ER0			GASKET, Oil Pan
24	06034734	10				ER0			BOLT, Double Stud Hex, .250-20x1.437 & .250-20 x.700

GRAND CHEROKEE (WJ)

SERIES LINE
H = Laredo T = JEEP - 2WD
P = Limited J = JEEP - 4WD

BODY
74 = SPORT UTILITY 4-DR

ENGINE
ERH = ENGINE - 4.0L
POWER TECH I-6
EVA = ENGINE- 4.7L V8 MPI

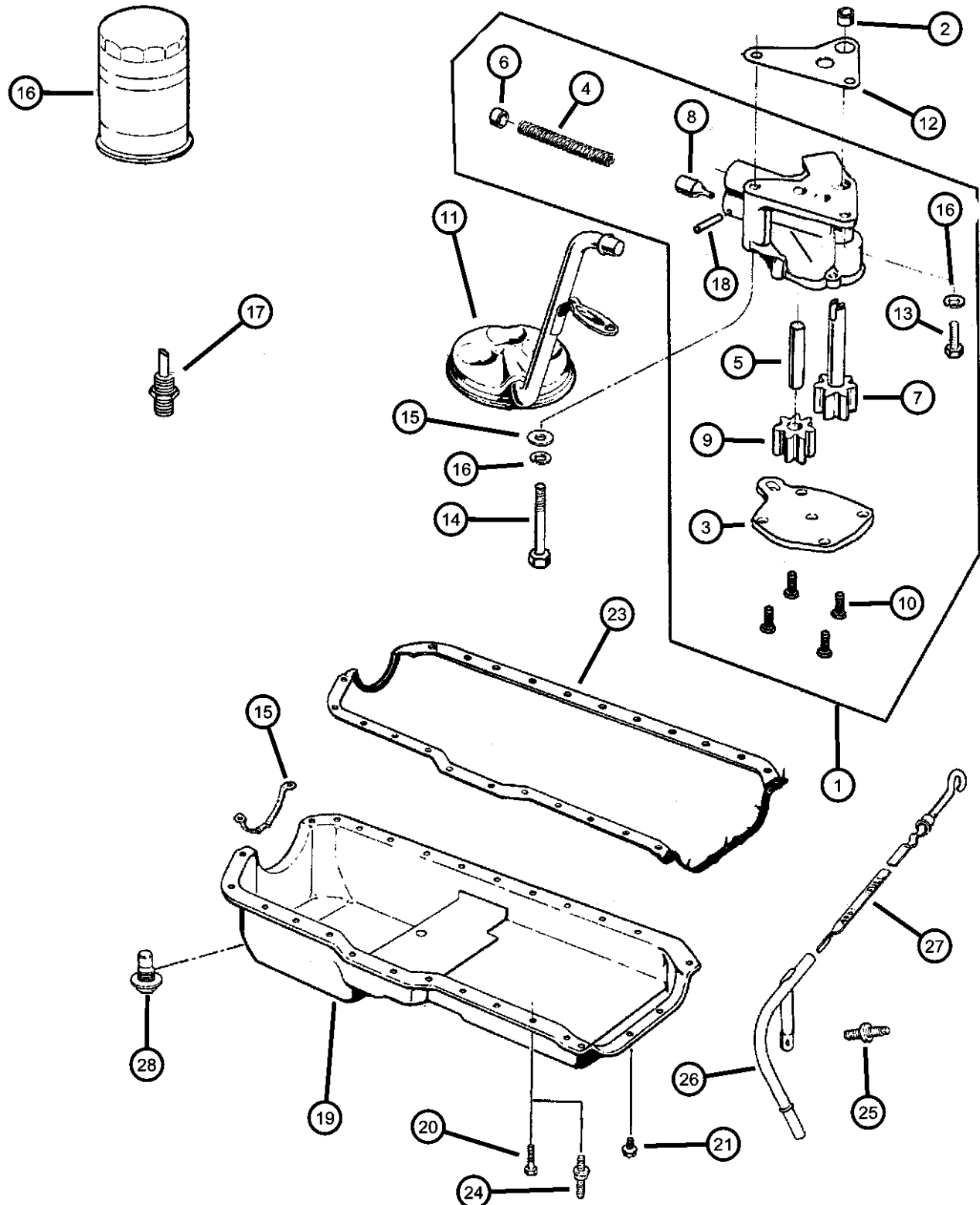
TRANSMISSION
DGK = TRANSMISSION - 4-SPD.
AUTOMATIC, 42RE
DQG = TRANSMISSION-5SPD
AUTOMATIC 5-45RFE
DGO = ALL AUTOMATIC
TRANSMISSIONS

AR = use ase required - = Non illustrated part

2001 WJ

Engine Oiling, 4.0 (ERH)

Figure 4.0L-710



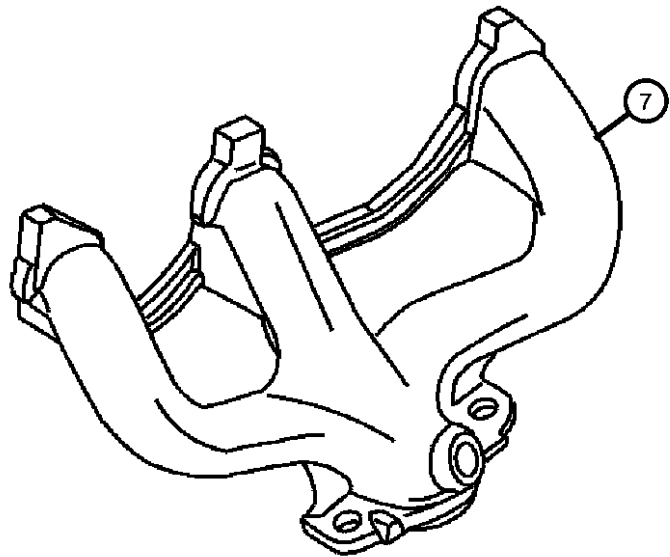
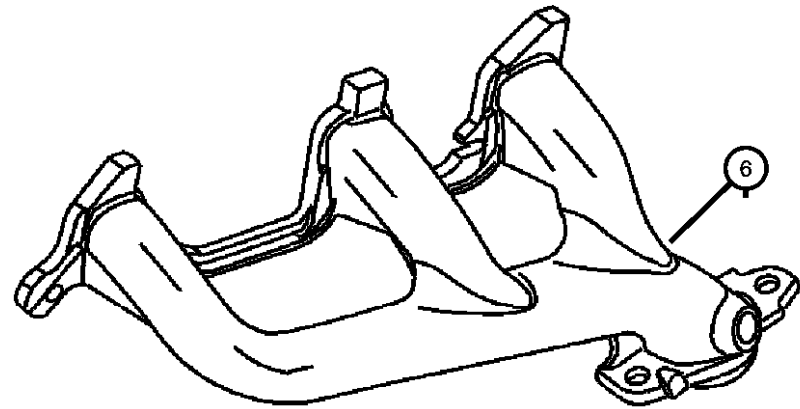
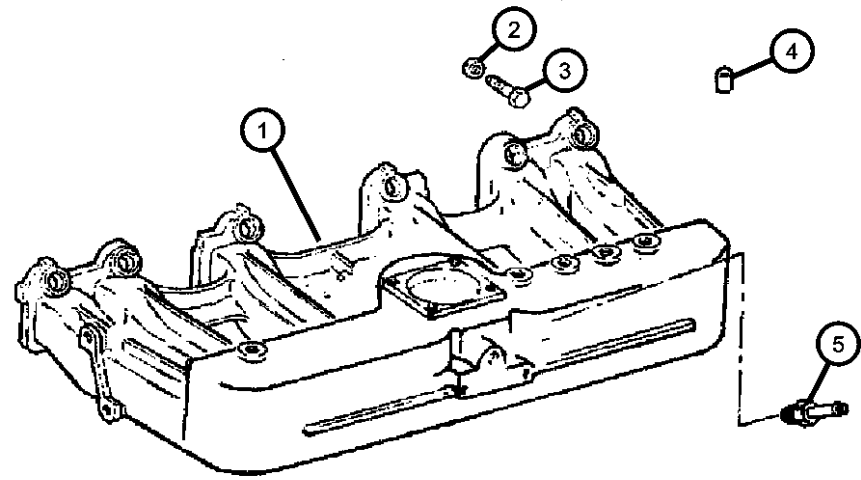
ITEM	PART NUMBER	QTY	LINE	SERIES	BODY	ENGINE	TRANS	TRIM	DESCRIPTION
25	06035664	1				ER0			STUD, .312-18x1.560
26	53020782	1				ER0			TUBE, Oil Filler
27	53010445	1				ER0			INDICATOR, Engine Oil Level
28	06035417	1				ER0			PLUG, Oil Drain
-29	05083881AA	1				ER0			DRIVE, OIL PUMP

GRAND CHEROKEE (WJ)

SERIES	LINE	BODY	ENGINE	TRANSMISSION
H = Laredo	T = JEEP - 2WD	74 = SPORT UTILITY 4-DR	ERH = ENGINE - 4.0L POWER TECH I-6	DGK = TRANSMISSION - 4-SPD. AUTOMATIC, 42RE
P = Limited	J = JEEP - 4WD		EVA = ENGINE- 4.7L V8 MPI	DGQ = TRANSMISSION-5SPD AUTOMATIC 5-45RFE DGO = ALL AUTOMATIC TRANSMISSIONS

AR = use ase required - = Non illustrated part

**Manifold, Intake and Exhaust, 4.0 (ERH)
Figure 4.0L-810**



ITEM	PART NUMBER	QTY	LINE	SERIES	BODY	ENGINE	TRANS	TRIM	DESCRIPTION
NOTE: ER0=All 4.0L Engines									
1	04854197AA	1				ER0			MANIFOLD, Intake
2	06036171AA	2				ER0			NUT AND WASHER
3	06036045AA	1				ER0			BOLT AND RETAINER, Hex Head
4	03580172	1				ER0			CAP, Vacuum
5	04854194	1				ER0			FITTING, Vacuum
6	53010196	1				ER0			MANIFOLD, Exhaust, Exhaust Front Machining, Front
7	53010199	1				ER0			MANIFOLD, Exhaust, Exhaust Rear Machining
-8	04854038	1				ER0			GASKET, Intake/Exhaust Manifold
-9	06036193AA	2				ER0			STUD, .375-16/.375-24x1.75
-10	06506546AA	2				ER0			NUT, Exhaust Manifold

GRAND CHEROKEE (WJ)

SERIES	LINE
H = Laredo	T = JEEP - 2WD
P = Limited	J = JEEP - 4WD

BODY
74 = SPORT UTILITY 4-DR

ENGINE
ERH = ENGINE - 4.0L POWER TECH I-6
EVA = ENGINE- 4.7L V8 MPI

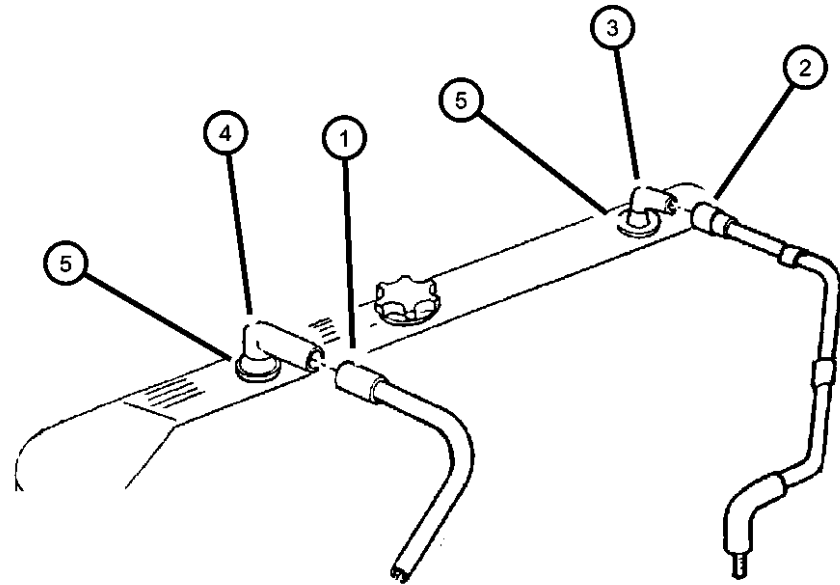
TRANSMISSION
DGK = TRANSMISSION - 4-SPD. AUTOMATIC, 42RE
DGQ = TRANSMISSION-5SPD AUTOMATIC 5-45RFE
DGO = ALL AUTOMATIC TRANSMISSIONS

AR = use ase required - = Non illustrated part

2001 WJ

**Crankcase Ventilation, 4.0 (ERH)
Figure 4.0L-910**

ITEM	PART NUMBER	QTY	LINE	SERIES	BODY	ENGINE	TRANS	TRIM	DESCRIPTION
------	-------------	-----	------	--------	------	--------	-------	------	-------------



NOTE: ER0=All 4.0L Engines

1	04854119	1				ER0			TUBE, Crankcase Vent To Air Cleaner
2	04854265	1				ER0			TUBE, Crankcase Vent To Intake Manifold
3	53013360AA	1				ER0			TUBE, Crankcase Vent To Air Cleaner
4	53030497	1				ER0			FITTING, Crankcase Vent Tube
5	02946079	2				ER0			GROMMET, Crankcase Vent

GRAND CHEROKEE (WJ)

SERIES LINE
H = Laredo T = JEEP - 2WD
P = Limited J = JEEP - 4WD

BODY
74 = SPORT UTILITY 4-DR

ENGINE
ERH = ENGINE - 4.0L
POWER TECH I-6
EVA = ENGINE- 4.7L V8 MPI

TRANSMISSION
DGK = TRANSMISSION - 4-SPD.
AUTOMATIC,42RE
DGQ = TRANSMISSION-5SPD
AUTOMATIC 5-45RFE
DGO = ALL AUTOMATIC
TRANSMISSIONS

AR = use ase required - = Non illustrated part

2001 WJ

Group - 4.7L

Engine 4.7L Eight Cylinder

Group - 4.7L Engine 4.7L Eight Cylinder

Illustration Title

Group-Fig. No.

Cylinder Head

Cylinder Head, 4.7 (EVA) Fig. 4.7L - 210

Cylinder Block

Cylinder Block, 4.7 (EVA) Fig. 4.7L - 310

Crankshaft, Pistons and Torque Converter

Crankshaft, Piston and Torque Converter, 4.7 (EVA) Fig. 4.7L - 410

Camshafts and Valves

Camshaft and Valves, 4.7 (EVA) Fig. 4.7L - 510

Timing Belt and Cover

Timing Cover, 4.7 (EVA) Fig. 4.7L - 610

Timing Chain and Guides, 4.7 (EVA) Fig. 4.7L - 620

Engine Oiling

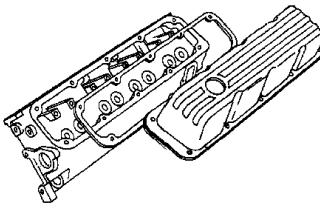
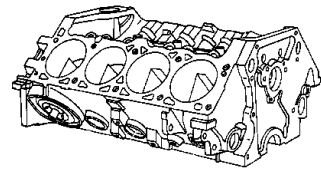
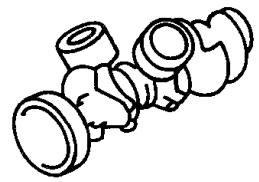
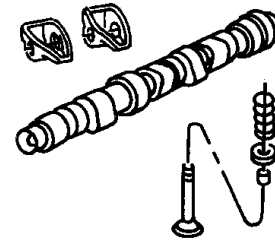
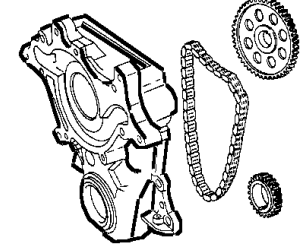
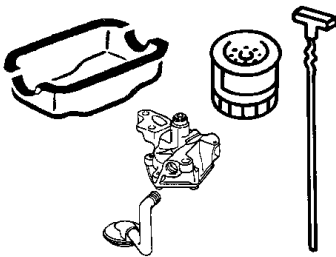
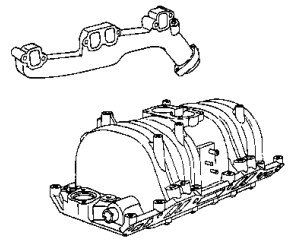
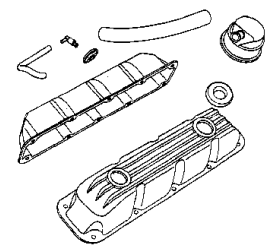
Engine Oiling, 4.7 (EVA) Fig. 4.7L - 710

Manifolds

Manifold, Intake and Exhaust, 4.7 (EVA) Fig. 4.7L - 810

Crankcase Ventilation

Crankcase Ventilation, 4.7 (EVA) Fig. 4.7L - 910

<p>4.7L-200 Cylinder Head</p> 	<p>4.7L-300 Cylinder Block</p> 	<p>4.7L-400 Crankshaft, Pistons and Torque Converter</p> 	<p>4.7L-500 Camshafts and Valves</p> 
<p>4.7L-600 Timing Belt and Cover</p> 	<p>4.7L-700 Engine Oiling</p> 	<p>4.7L-800 Manifolds</p> 	<p>4.7L-900 Crankcase Ventilation</p> 

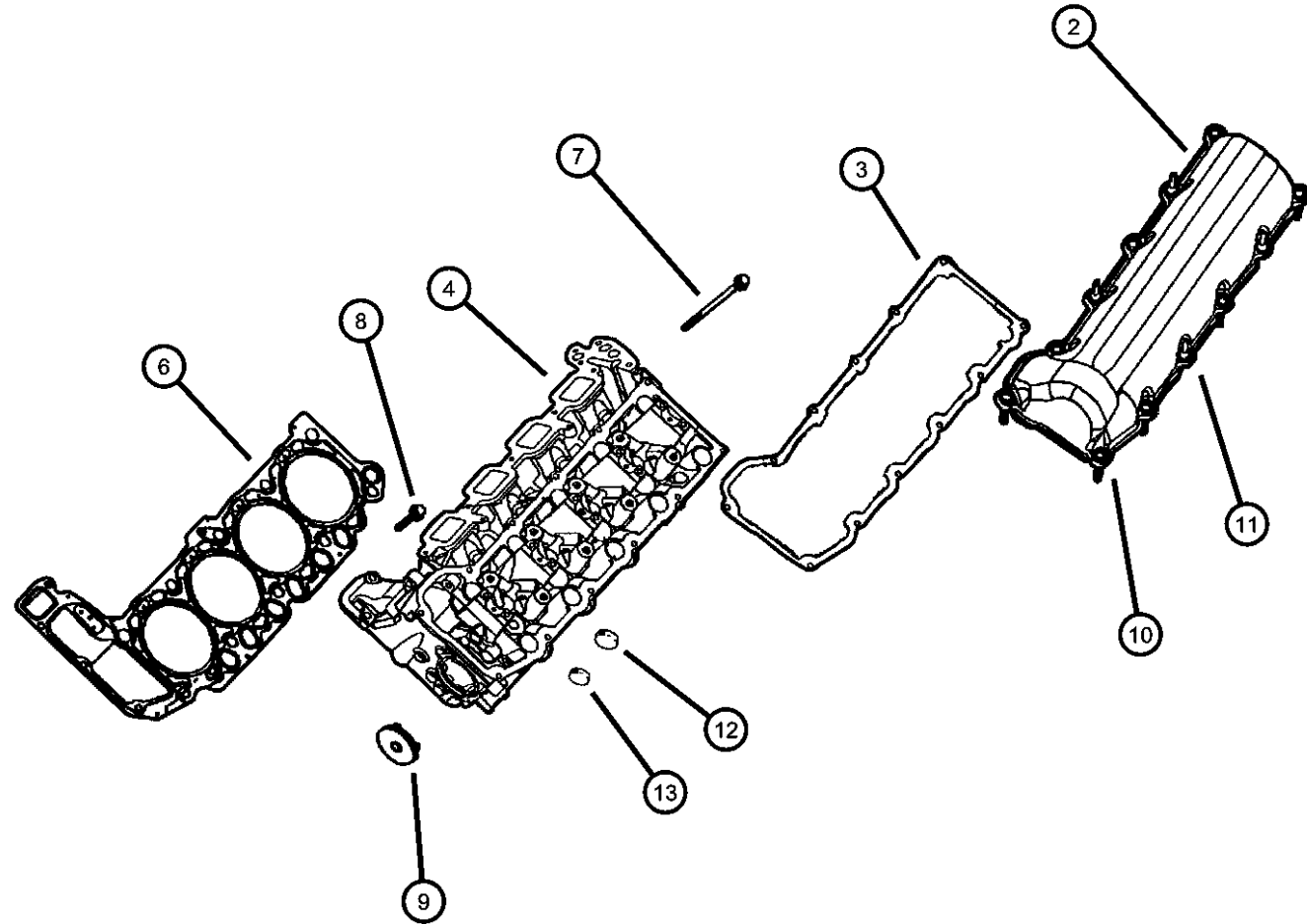
**Cylinder Head, 4.7 (EVA)
Figure 4.7L-210**

ITEM	PART NUMBER	QTY	LINE	SERIES	BODY	ENGINE	TRANS	TRIM	DESCRIPTION
------	-------------	-----	------	--------	------	--------	-------	------	-------------

NOTES: Upper Gasket Package Contains: Cylinder Head and Cylinder Head Cover Gaskets, Intake and Exhaust Manifold Gaskets, Throttle Body
SALES CODES

[EVA] = Next Generation 4.7L Magnum V8

[EVO] = All 4.7L Engines



-1	05135794AA	1				EVA	DG0		GASKET PACKAGE, Engine Upper, See Notes
2									COVER, Cylinder Head
	53020657AD	1				EVO			Left
	53020874AD	1				EVO			Right
3									GASKET, Valve Cover
	53020877	1				EVO			Left
	53020878	1				EVO			Right
4	53020797	1				EVA			HEAD, Cylinder, Left
	R5847099								Mopar Reman 4.7L Head w/Valves, Springs, Gasket (EVA) - Left
-5	53020798	1				EVA			HEAD, Cylinder, Right
	R6847099								Mopar Reman 4.7L Head w/Valves, Springs, Gasket (EVA) - Right
6	53020673AB	2				EVO			GASKET, Cylinder Head
7	06504939AA	20				EVO			SCREW AND WASHER, Hex Head
8	06504985AA	8				EVO			SCREW AND WASHER, Hex Head
9	53021031	1				EVO			PLUG, Access Hole
10	53021031	1							SCREW, Serviced in Cylinder Head Cover, (NOT SERVICED)
11	53021031	1							STUD, Serviced in Cylinder Head Cover, (NOT SERVICED)
12	04556020	2				EVA			PLUG, Core, 1.25 Diameter
13	06034331	2				EVA			PLUG, Hex Socket, 3/8-18NPTx.475

GRAND CHEROKEE (WJ)

SERIES LINE
H = Laredo T = JEEP - 2WD
P = Limited J = JEEP - 4WD

BODY
74 = SPORT UTILITY 4-DR

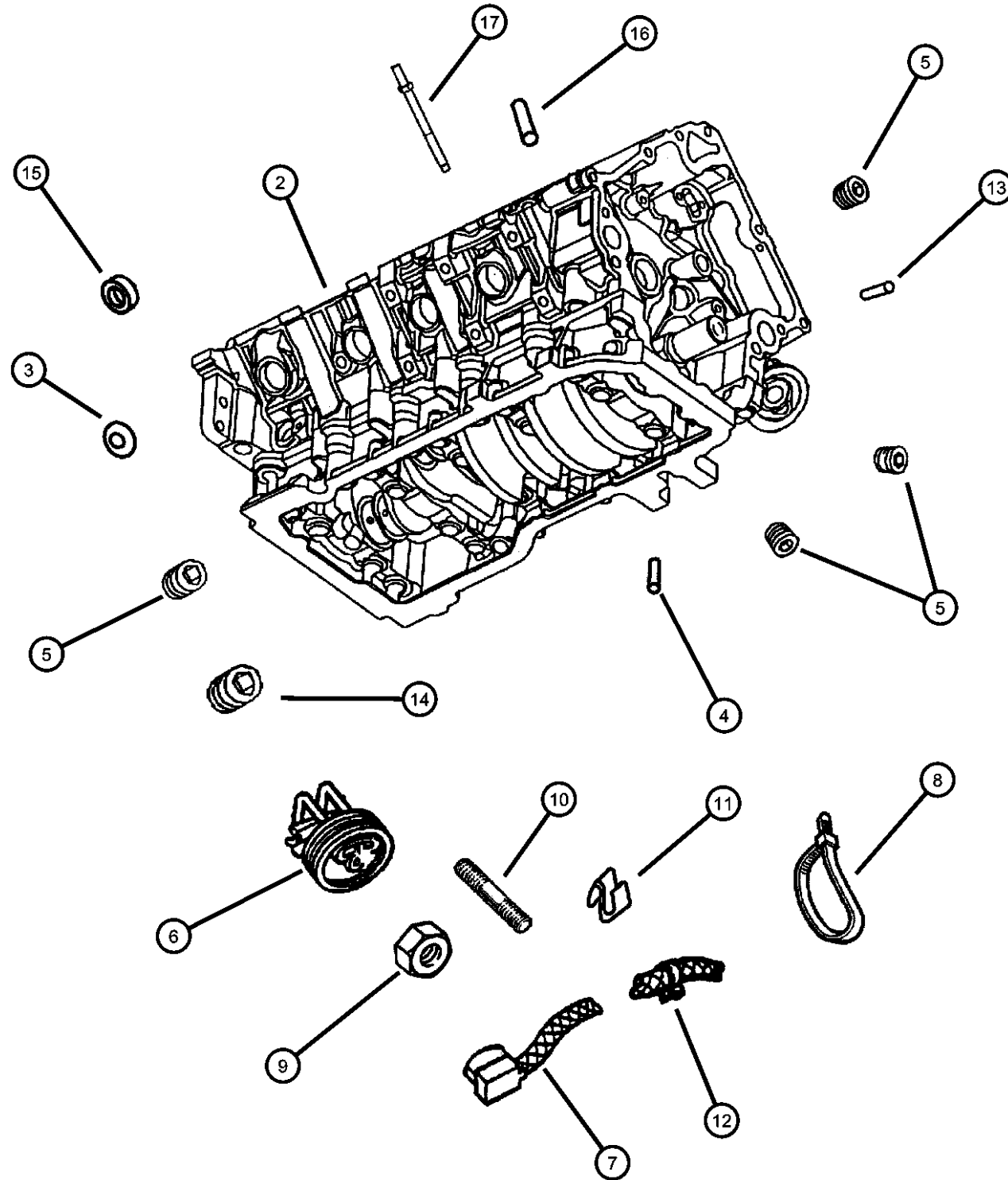
ENGINE
ERH = ENGINE - 4.0L
POWER TECH I-6
EVA = ENGINE- 4.7L V8 MPI

TRANSMISSION
DGK = TRANSMISSION - 4-SPD.
AUTOMATIC, 42RE
DGQ = TRANSMISSION-5SPD
AUTOMATIC 5-45RFE
DGO = ALL AUTOMATIC
TRANSMISSIONS

AR = use ase required - = Non illustrated part

2001 WJ

**Cylinder Block, 4.7 (EVA)
Figure 4.7L-310**



ITEM	PART NUMBER	QTY	LINE	SERIES	BODY	ENGINE	TRANS	TRIM	DESCRIPTION
------	-------------	-----	------	--------	------	--------	-------	------	-------------

NOTES: Lower Gasket Package contains: Front and Rear Crankshaft Seals, Oil Pick Up Tube Seal; Oil Pan, Chain Case and Water Pump Gaskets
 [DG0] = All Automatic Transmissions
 [EVA] = Next Generation 4.7L Magnum V8
 [EV0] = All 4.7L Engines

-1									GASKET PACKAGE, Engine Lower, See Notes
	05135796AA	1				EVA	DG0		
		1				EVC	DG0		
2	05011499AD	1				EVA			BLOCK, Short, Contains: Block, Bed Plate, Crank, Rods, Pistons, Rings, Oil Pump, Oil Pan Mopar Reman 4.7L Long Block (EVA)
	R2847014								
3	06034804	10				EVA			PLUG, Core, 1.39 Diameter
4	06505457AA	3				EV0			PIN
5	06036114AA	4				EV0			PLUG, Pipe
6	82203640	1				EV0			HEATER PACKAGE, Engine Block
7	56027117	1				EV0			CORD, Engine Block Heater
8	56008876	1				EV0			STRAP, Tie
9	56008876	1							NUT, Hex Flange Lock, .375-16, (NOT SERVICED)
10	56008876	1							SCREW, [.375-16x.625], (NOT SERVICED)
11	56008876	1							CLIP, (NOT SERVICED)
12	56008876	1							CLIP, (NOT SERVICED)
13	53010533AA	2				EV0			DOWEL
14	06034366	2				EV0			SCREW
15	04556019	1				EV0			PLUG, Cylinder Block Oil Hole
16	05240849	4				EV0			DOWEL, Block To Clutch Housing
17	06505274AA	2				EV0			STUD

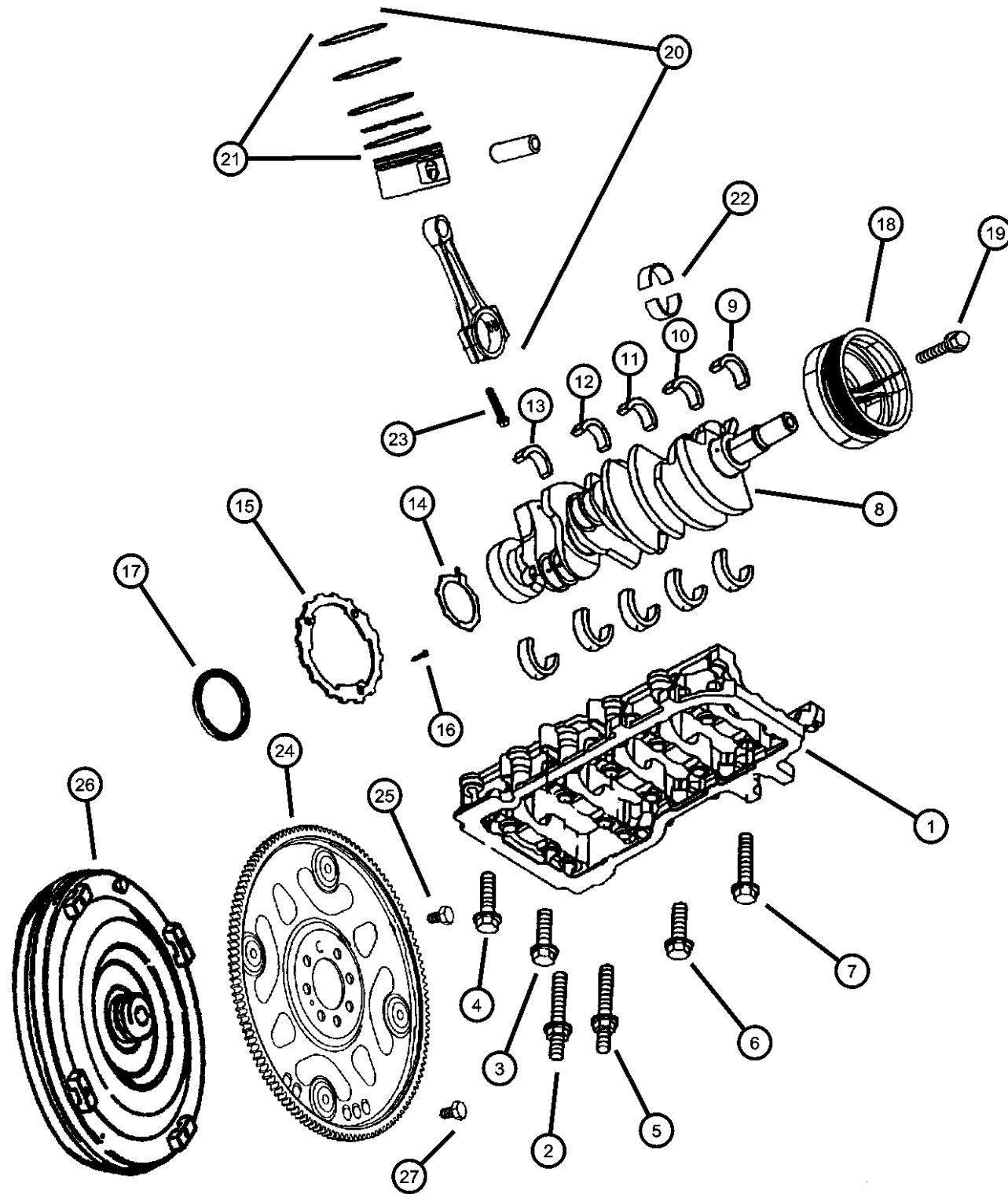
GRAND CHEROKEE (WJ)

SERIES	LINE	BODY	ENGINE	TRANSMISSION
H = Laredo	T = JEEP - 2WD	74 = SPORT UTILITY 4-DR	ERH = ENGINE - 4.0L POWER TECH I-6	DGK = TRANSMISSION - 4-SPD. AUTOMATIC, 42RE
P = Limited	J = JEEP - 4WD		EVA = ENGINE- 4.7L V8 MPI	DGQ = TRANSMISSION-5SPD AUTOMATIC 5-45RFE
				DGO = ALL AUTOMATIC TRANSMISSIONS

AR = use ase required - = Non illustrated part

2001 WJ

**Crankshaft, Piston and Torque Converter, 4.7 (EVA)
Figure 4.7L-410**



ITEM	PART NUMBER	QTY	LINE	SERIES	BODY	ENGINE	TRANS	TRIM	DESCRIPTION
1	06505274AA	2							BEDPLATE, Serviced in Short Block, (NOT SERVICED)
2	06506187AA	2				EVO			STUD
3	06102047AA	6				EVO			SCREW, Hex Head, M8x1.25x50
4	06504411	7				EVO			SCREW
5	06506186AA	1				EVO			STUD
6	06504410	5				EVO			SCREW, Hex Head
7	06505394AA	7				EVO			SCREW AND WASHER
8	53020939	1				EVA	DG0		CRANKSHAFT
9	05013586AB	5				EVA			BEARING PACKAGE, Crankshaft, B Grade
10	05014183AA	5				EVA			BEARING PACKAGE, Crankshaft, A Grade
11	05014186AA	5				EVA			BEARING PACKAGE, Crankshaft, C Grade
12	05013587AA	AR				EVA			BEARING PACKAGE, Crankshaft, .025mm Undersize
13	05013588AA	AR				EVA			BEARING PACKAGE, Crankshaft, .25mm Undersize
14	05012356AB	1				EVO			WASHER PACKAGE, Washer
15	05012356AB	1							TONE RING, Sensor, Serviced in Crankshaft, (NOT SERVICED)
16	06504480	3				EVA	DG0		SCREW, M6x1x25
17	53020788	1				EVO			SEAL, Crankshaft Bearing Oil
18	53020689AB	1				EVA			DAMPER, Crankshaft
19	06504415	1				EVO			SCREW AND WASHER
20	05012362AC	8				EVA			PISTON PIN AND ROD, STD
21	05012364AC	8				EVA			RING PACKAGE, Piston, Standard Size
22	05012363AB	8				EVA			BEARING PACKAGE, Connecting Rod, Standard
23	06504720	16				EVA			BOLT, Connecting Rod
24	52104048	1				EVO	DG0		PLATE, Torque Converter Drive
25	06503465	8				EVO	DG0		BOLT, Drive Plate and Flywheel
26									TORQUE CONVERTER

GRAND CHEROKEE (WJ)

SERIES	LINE
H = Laredo	T = JEEP - 2WD
P = Limited	J = JEEP - 4WD

BODY
74 = SPORT UTILITY 4-DR

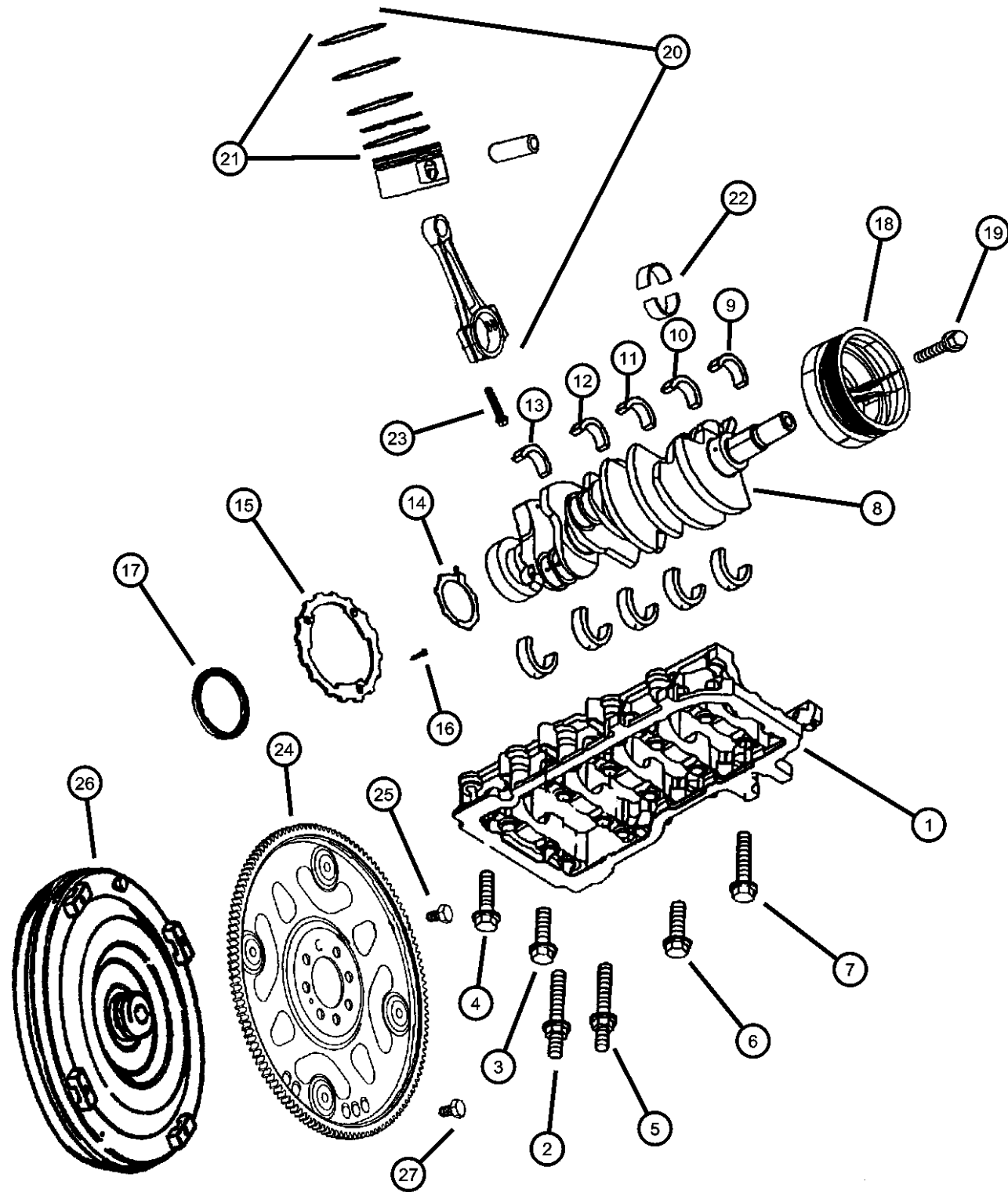
ENGINE
ERH = ENGINE - 4.0L
POWER TECH I-6
EVA = ENGINE- 4.7L V8 MPI

TRANSMISSION
DGK = TRANSMISSION - 4-SPD.
AUTOMATIC, 42RE
DGQ = TRANSMISSION-5SPD
AUTOMATIC 5-45RFE
DGO = ALL AUTOMATIC
TRANSMISSIONS

AR = use ase required - = Non illustrated part

2001 WJ

**Crankshaft, Piston and Torque Converter, 4.7 (EVA)
Figure 4.7L-410**



ITEM	PART NUMBER	QTY	LINE	SERIES	BODY	ENGINE	TRANS	TRIM	DESCRIPTION
	04736582	1	T				DG4		
	R4736582								Mopar Remanufactured Part
	R4736582	1	J				DG4		
27	01949765	4					DG0		SCREW, Hex Head Header Point, .312-24x.44
-28									SEAL, Torque Converter Hub
	04736547	1	T				DG4		
		1	J				DG4		
		1	T				DGQ		
		1	J				DGQ		

GRAND CHEROKEE (WJ)

SERIES LINE
H = Laredo T = JEEP - 2WD
P = Limited J = JEEP - 4WD

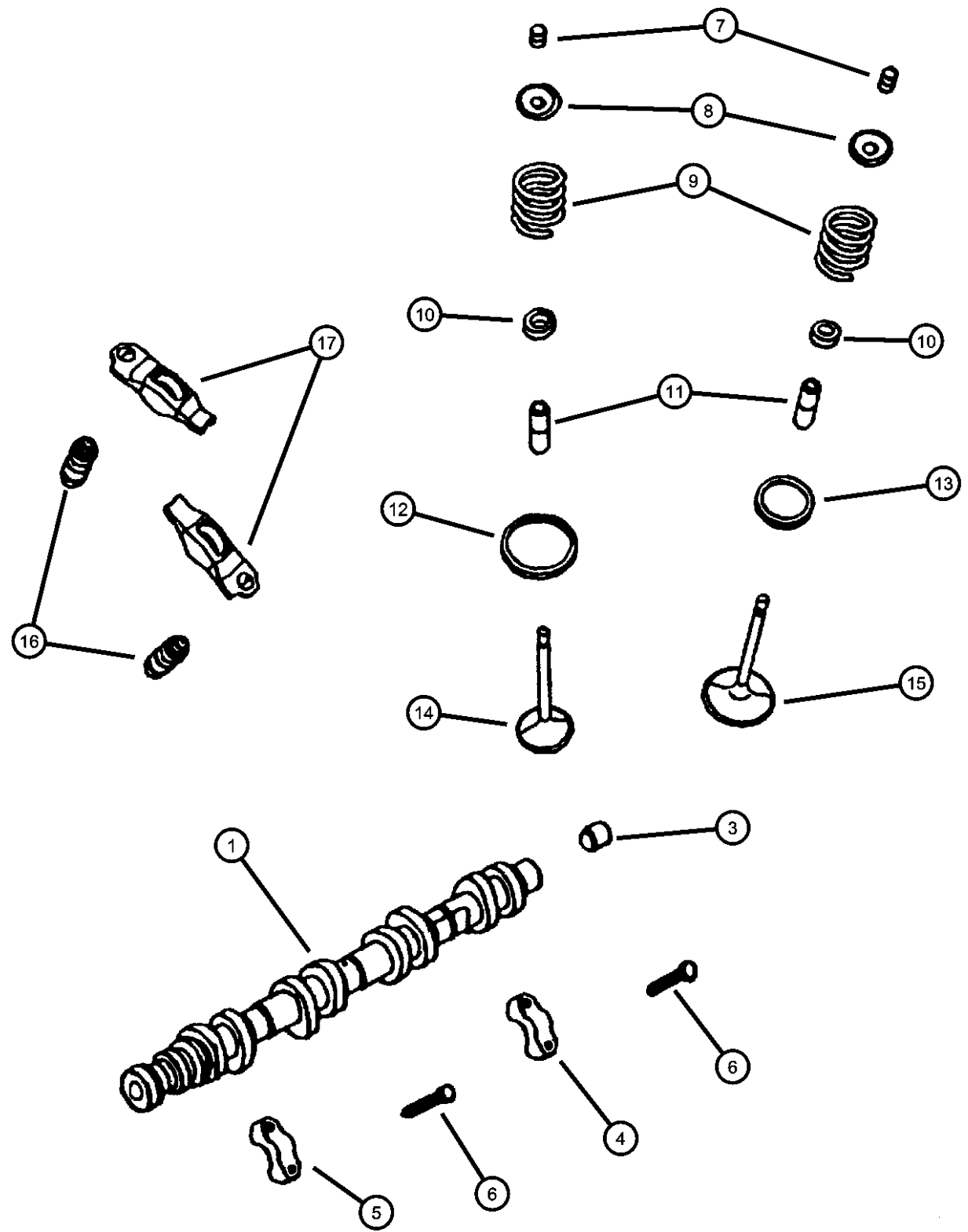
BODY
74 = SPORT UTILITY 4-DR

ENGINE
ERH = ENGINE - 4.0L
POWER TECH I-6
EVA = ENGINE- 4.7L V8 MPI

TRANSMISSION
DGK = TRANSMISSION - 4-SPD.
AUTOMATIC, 42RE
DGQ = TRANSMISSION-5SPD
AUTOMATIC 5-45RFE
DGO = ALL AUTOMATIC
TRANSMISSIONS

AR = use ase required - = Non illustrated part

**Camshaft and Valves, 4.7 (EVA)
Figure 4.7L-510**



ITEM	PART NUMBER	QTY	LINE	SERIES	BODY	ENGINE	TRANS	TRIM	DESCRIPTION
NOTE: EVA=Next Generation 4.7L Magnum V8 EV0= All 4.7L Engines									
1	53021159AA	1				EVA			CAMSHAFT, Engine, LeftLeft
-2	53021160AA	1				EVA			CAMSHAFT, Engine, RightRad Inlet Hose Clip, Radiator Air Lower Bracket Attach, Radiator Baffle PLUG, Camshaft
3	53021161AA	1				EVA			CAP, Serviced in Cylinder Head, (NOT SERVICED)
4	53021161AA	1							CAP, Serviced in Cylinder Head, (NOT SERVICED)
5	53021161AA	1							SCREW, M6x1x40
6	06505034AA	10				EVA			SCREW, M6x1x40
7	04536513	32				EVA			LOCK, Valve Spring Retainer
8	53020750	16				EVA			RETAINER, Valve Spring
9	53020749AB	16				EVA			SPRING, Valve
10	53020752AD	16				EVA			SEAL, Valve Guide
11	53020752AD	16							GUIDE, Intake/Exhaust Valve, Standard Size, Serviced in Cylinder Head, (NOT SERVICED)
12	53020752AD	16							INSERT, Intake Valve, Serviced in Cylinder Head, (NOT SERVICED)
13	53020752AD	16							INSERT, Exhaust Valve, Serviced in Cylinder Head, (NOT SERVICED)
14	53020747AB	8				EVA			VALVE, Intake, Standard
15	53020748	8				EVA			VALVE, Exhaust, Standard
16	53021077	16				EVA			ADJUSTER, Valve Lash
17	53020742AB	16				EVA			ROCKER ARM, Valve

GRAND CHEROKEE (WJ)

SERIES LINE
H = Laredo T = JEEP - 2WD
P = Limited J = JEEP - 4WD

BODY
74 = SPORT UTILITY 4-DR

ENGINE
ERH = ENGINE - 4.0L
POWER TECH I-6
EVA = ENGINE- 4.7L V8 MPI

TRANSMISSION
DGK = TRANSMISSION - 4-SPD.
AUTOMATIC, 42RE
DGQ = TRANSMISSION-5SPD
AUTOMATIC 5-45RFE
DGO = ALL AUTOMATIC
TRANSMISSIONS

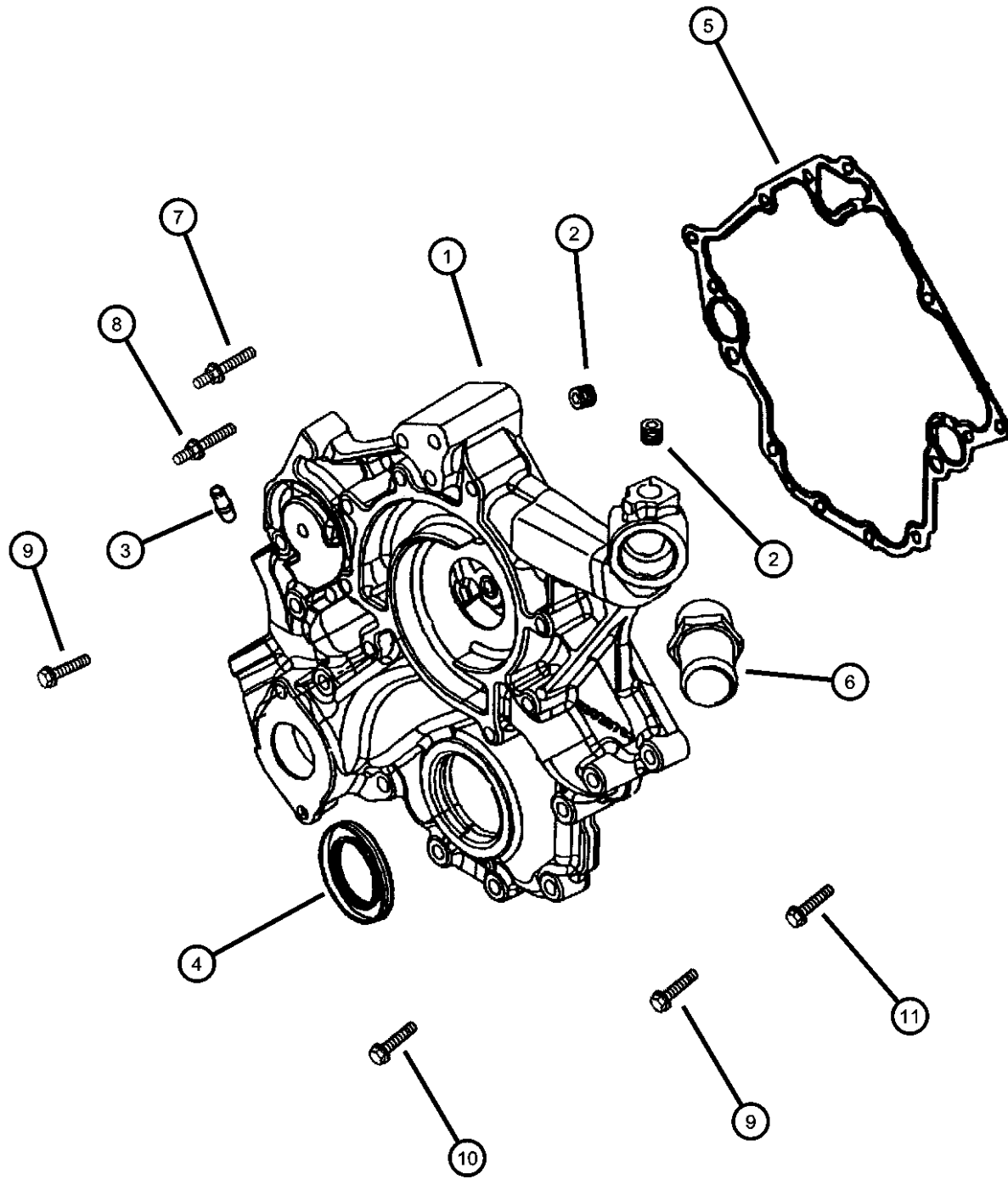
AR = use ase required - = Non illustrated part

Timing Cover, 4.7 (EVA)
Figure 4.7L-610

ITEM	PART NUMBER	QTY	LINE	SERIES	BODY	ENGINE	TRANS	TRIM	DESCRIPTION
------	-------------	-----	------	--------	------	--------	-------	------	-------------

NOTE: EV0=All 4.7L Engines

1	05016653AB	1				EV0			COVER, Timing Case
2	06034331	3				EV0			PLUG, Hex Socket, 3/8-18NPTx.475
3	06035854	2				EV0			FITTING, Y-Style
4	53021313AA	1				EV0			SEAL, Crankshaft Oil, Front
5	53020862	1				EV0			GASKET, Chain Case Cover
6	06035961AA	1				EV0			PIPE FITTING, Chain Case Cover, .375-18x2
7	06505293AA	1				EV0			STUD
8	06505019AA	1				EV0			STUD
9	06101998	5				EV0			SCREW AND WASHER, Hex
10	06101985	5				EV0			SCREW AND WASHER, M10x1.50x45.00
11	06505579AA	2				EV0			SCREW AND WASHER



GRAND CHEROKEE (WJ)

SERIES LINE
H = Laredo T = JEEP - 2WD
P = Limited J = JEEP - 4WD

BODY
74 = SPORT UTILITY 4-DR

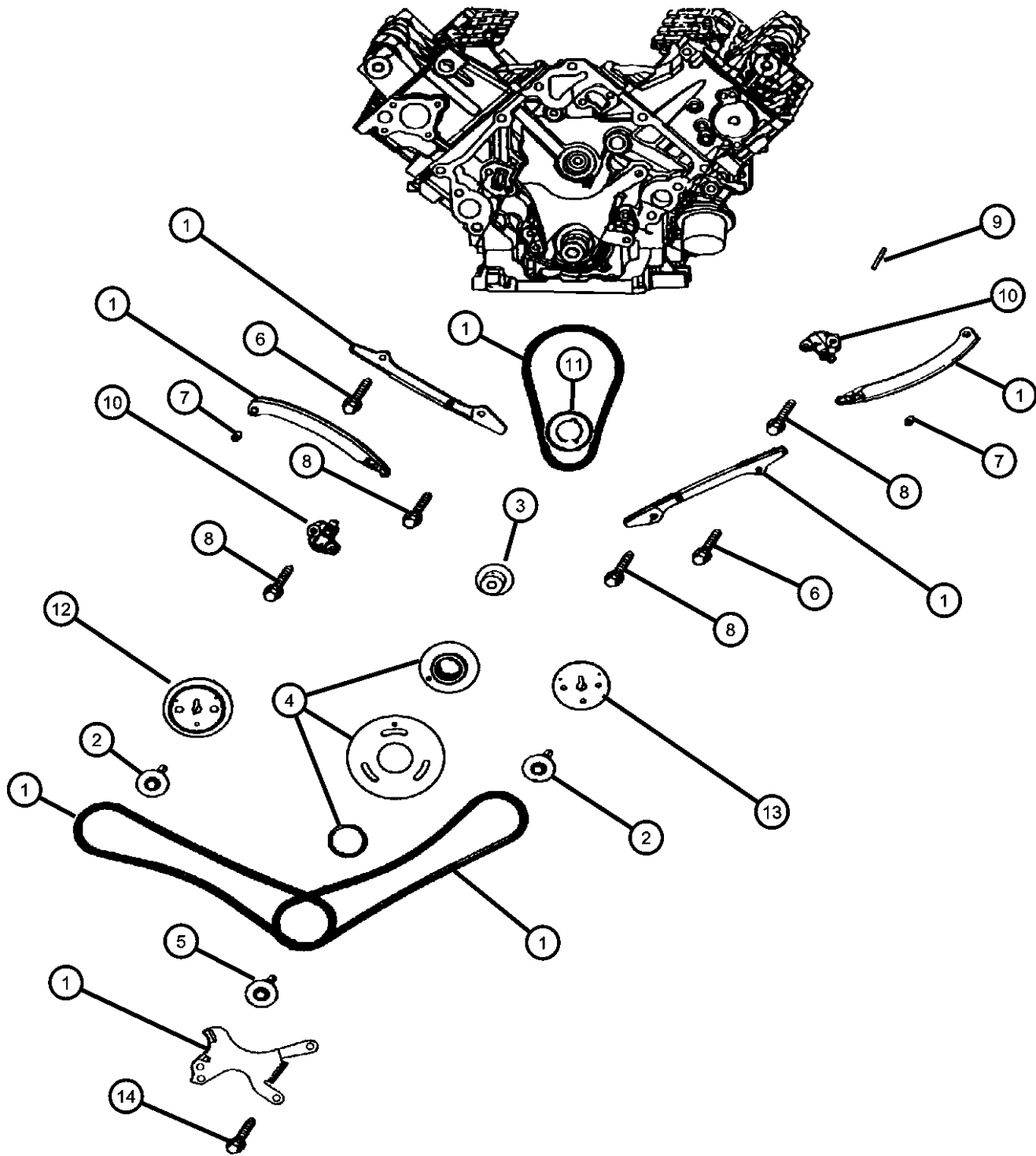
ENGINE
ERH = ENGINE - 4.0L
POWER TECH I-6
EVA = ENGINE- 4.7L V8 MPI

TRANSMISSION
DGK = TRANSMISSION - 4-SPD.
AUTOMATIC, 42RE
DGQ = TRANSMISSION-5SPD
AUTOMATIC 5-45RFE
DGO = ALL AUTOMATIC
TRANSMISSIONS

AR = use ase required - = Non illustrated part

2001 WJ

**Timing Chain and Guides, 4.7 (EVA)
Figure 4.7L-620**



NOTE: EV0=All 4.7L Engines

ITEM	PART NUMBER	QTY	LINE	SERIES	BODY	ENGINE	TRANS	TRIM	DESCRIPTION
1	05013867AB	1				EV0			TIMING DRIVE PACKAGE, Engine
2	06504429	2				EV0			SCREW AND WASHER, Hex
3	53020835	1				EV0			SHAFT, Idler
4	05013868AB	1				EV0			SPROCKET, Idler
5	06504370	1				EV0			SCREW AND WASHER, Hex
6	06102111AA	2				EV0			SCREW AND WASHER
7	06504440	2				EV0			SCREW, Also Serviced In Item# 1
8	06503257	6				EV0			BOLT, Hex Head, M8x1.25x37.50
9	06504471	1				EV0			KEY, Woodruff
10									TENSIONER, Chain
	53020779	1				EV0			Right
	53021168AA	1				EV0			Left
11	53020679	1				EV0			SPROCKET, Crankshaft
12	53021169AA	1				EV0			SPROCKET, Camshaft, RightRight
13	53020938	1				EV0			SPROCKET, Camshaft, LeftLeft
14	06100932	2				EV0			BOLT, Hex
-15	53020781	2				EV0			GUIDE, Timing Chain
-16	53020681	1				EV0			TENSIONER, Chain, Primary

GRAND CHEROKEE (WJ)

SERIES LINE
H = Laredo T = JEEP - 2WD
P = Limited J = JEEP - 4WD

BODY
74 = SPORT UTILITY 4-DR

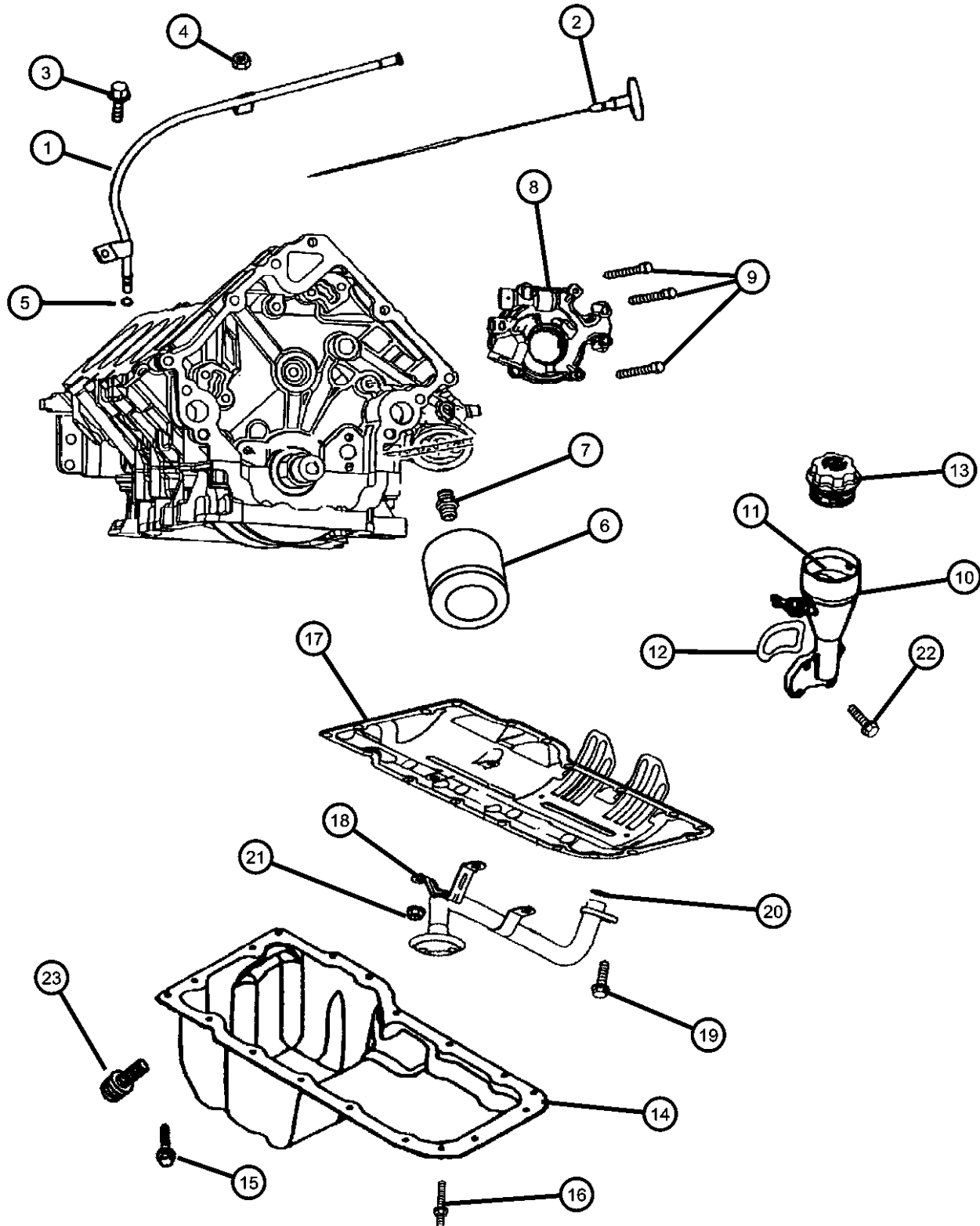
ENGINE
ERH = ENGINE - 4.0L
POWER TECH I-6
EVA = ENGINE- 4.7L V8 MPI

TRANSMISSION
DGK = TRANSMISSION - 4-SPD.
AUTOMATIC, 42RE
DGQ = TRANSMISSION-5SPD
AUTOMATIC 5-45RFE
DGO = ALL AUTOMATIC
TRANSMISSIONS

AR = use ase required - = Non illustrated part

2001 WJ

**Engine Oiling, 4.7 (EVA)
Figure 4.7L-710**



ITEM	PART NUMBER	QTY	LINE	SERIES	BODY	ENGINE	TRANS	TRIM	DESCRIPTION
NOTE: EV0=All 4.7L Engines									
1	53021024	1				EV0			TUBE, Engine Oil Indicator
2	53020859AB	1				EV0			INDICATOR, Engine Oil Level
3	06504810AA	1				EV0			SCREW AND WASHER, Hex
4	06504810AA	1							NUT, M6x1.00, (NOT SERVICED)
5	53021144AA	1				EV0			O RING, Engine Oil Indicator
6	05281090	1				EV0			FILTER, Engine Oil
	0FE00292								Canadian Aftermarket Part
	05281090BA								BULK PACK (12)
	77060018								Performance Mobil 1, 15W - 50 Tri-Synthetic Engine Oil-Recommended Fill for 6.1L & 8.3L
	P5007323								Performance Mobil 1, 5W - 30 Tri-Synthetic Engine Oil, Quart
7	53007563	1				EV0			CONNECTOR, Oil Filter
8	53020827	1				EV0			PUMP, Engine Oil
9	06100932	1				EV0			BOLT, Hex
10	53020890	1				EV0			HOUSING, Oil Fill
11	53032126AA	1				EV0			BAFFLE, Oil Fill, None
12	53020889AB	1				EV0			GASKET, Oil Fill Housing
13	53032389AA	1				EV0			CAP, Oil Filler
14	53020678AB	1				EV0			PAN, Engine Oil
15	06504810AA	17				EV0			SCREW AND WASHER, Hex
16	06505889AA	1				EV0			STUD
17	53020675AC	1				EV0			GASKET, Oil Pan
18	53020828	1				EV0			TUBE, Oil Pickup
19	06102046AA	1				EV0			SCREW AND WASHER
20	53020861	1				EV0			SEAL, Oil Pick Up Tube
21	06502756	3				EV0			NUT, Hex Lock, M8x1.25
22	06505504AA	4				EV0			SCREW
23	06504894AA	1				EV0			PLUG, Oil Drain

GRAND CHEROKEE (WJ)

SERIES LINE
H = Laredo T = JEEP - 2WD
P = Limited J = JEEP - 4WD

BODY
74 = SPORT UTILITY 4-DR

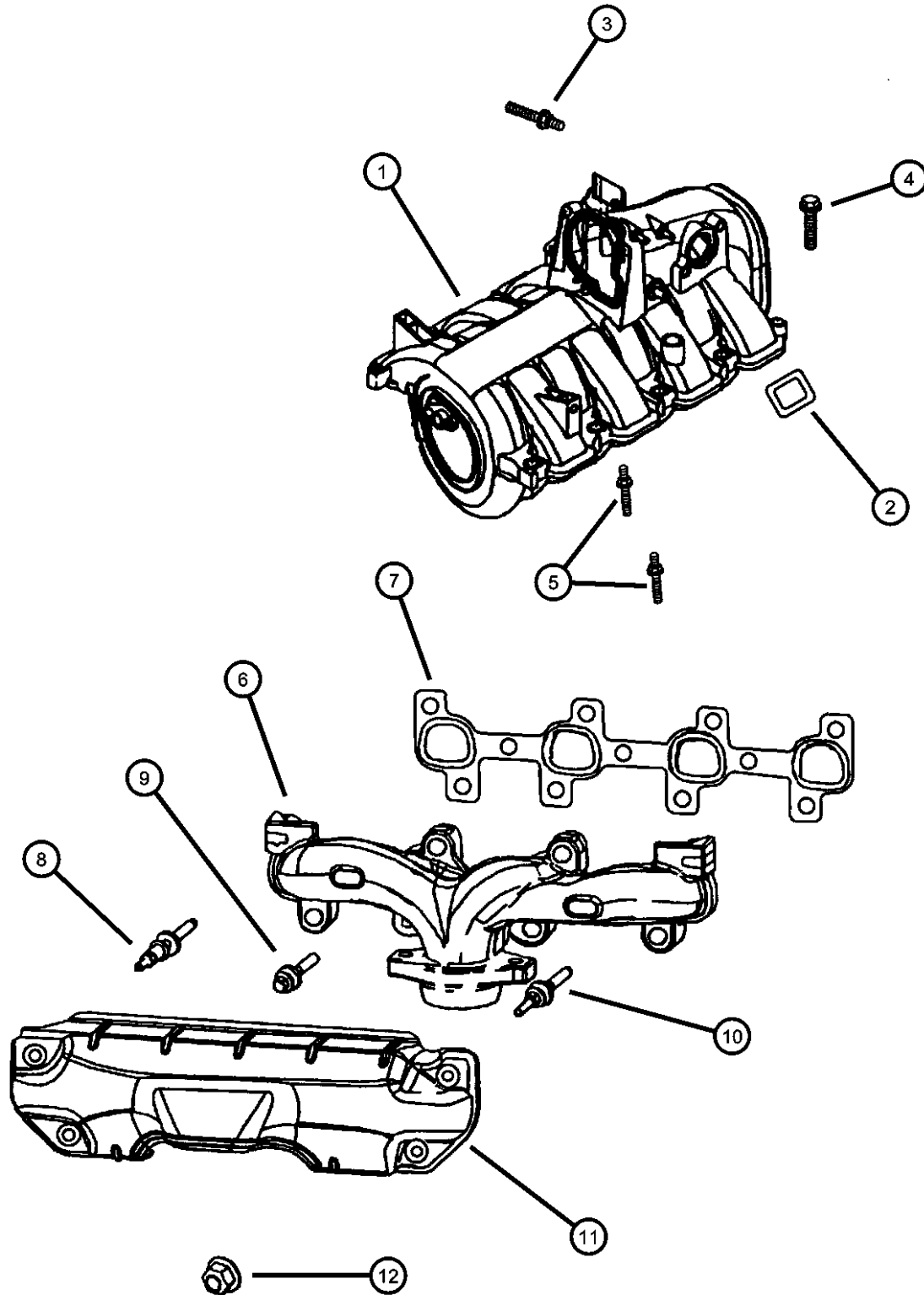
ENGINE
ERH = ENGINE - 4.0L
POWER TECH I-6
EVA = ENGINE- 4.7L V8 MPI

TRANSMISSION
DGK = TRANSMISSION - 4-SPD.
AUTOMATIC, 42RE
DGQ = TRANSMISSION-5SPD
AUTOMATIC 5-45RFE
DGO = ALL AUTOMATIC
TRANSMISSIONS

AR = use ase required - = Non illustrated part

2001 WJ

**Manifold, Intake and Exhaust, 4.7 (EVA)
Figure 4.7L-810**



ITEM	PART NUMBER	QTY	LINE	SERIES	BODY	ENGINE	TRANS	TRIM	DESCRIPTION
------	-------------	-----	------	--------	------	--------	-------	------	-------------

NOTE:
EVA=Next Generation 4.7L Magnum V8
EV0= All 4.7L Engines

1	53010315AD	1				EVA			MANIFOLD, Intake
2	53010310	8				EVA			SEAL, Intake Manifold
3	06505498AA	1				EVA			STUD
4	06505499AA	2				EV0			SCREW
5	06505500AA	8				EV0			STUD
6									MANIFOLD, Exhaust
	53030933	1				EV0			Left
	53030934	1				EV0			Right
7									GASKET, Exhaust Manifold
	53030812	1				EV0			Right
	53030813	1				EV0			Left
8	06505257AA	4				EV0			STUD
9	06504340	8				EV0			SCREW AND WASHER, Hex
10	06504331	4				EV0			STUD
11									SHIELD, Exhaust Manifold
	53030815	1				EV0			Left
	53030940	1				EV0			Right
12	06505316AA	8				EV0			NUT

GRAND CHEROKEE (WJ)

SERIES LINE
H = Laredo T = JEEP - 2WD
P = Limited J = JEEP - 4WD

BODY
74 = SPORT UTILITY 4-DR

ENGINE
ERH = ENGINE - 4.0L
POWER TECH I-6
EVA = ENGINE- 4.7L V8 MPI

TRANSMISSION
DGK = TRANSMISSION - 4-SPD.
AUTOMATIC, 42RE
DGQ = TRANSMISSION-5SPD
AUTOMATIC 5-45RFE
DGO = ALL AUTOMATIC
TRANSMISSIONS

AR = use ase required - = Non illustrated part

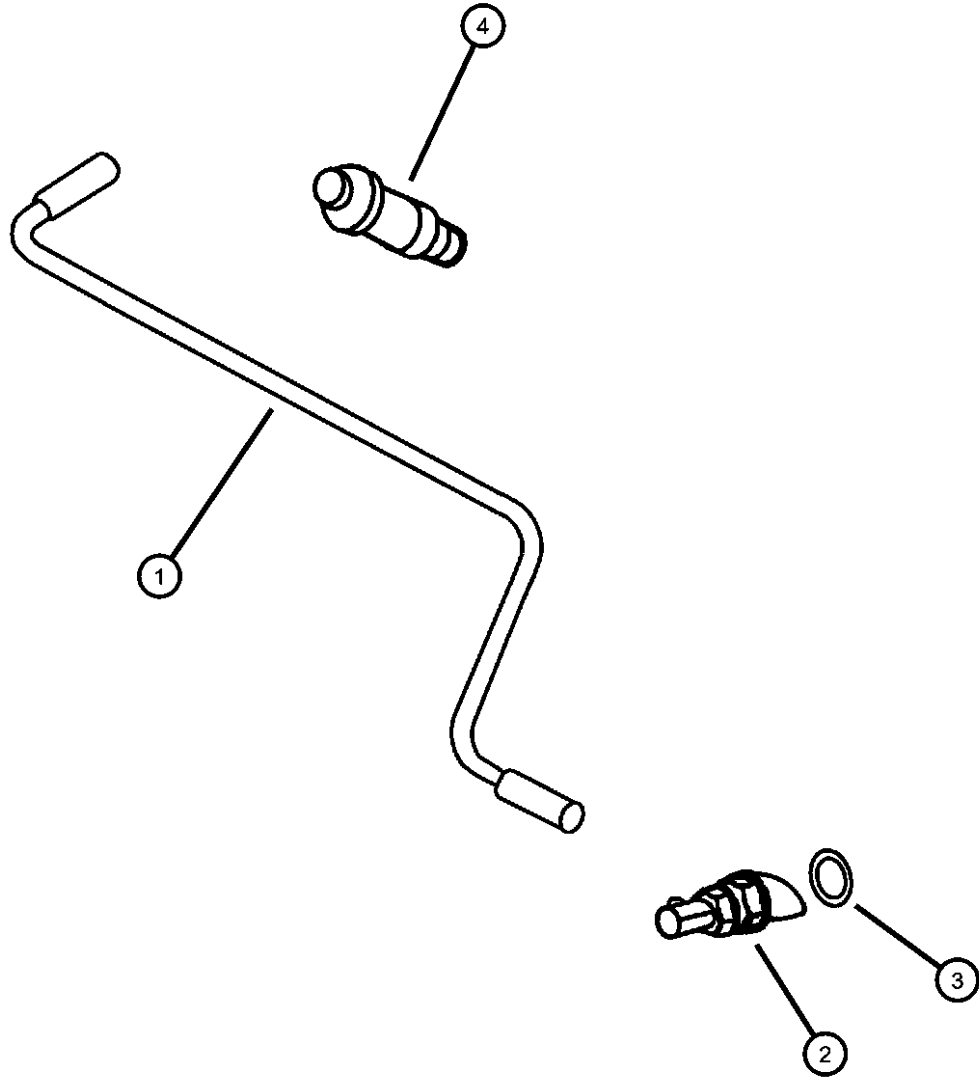
2001 WJ

**Crankcase Ventilation, 4.7 (EVA)
Figure 4.7L-910**

ITEM	PART NUMBER	QTY	LINE	SERIES	BODY	ENGINE	TRANS	TRIM	DESCRIPTION
------	-------------	-----	------	--------	------	--------	-------	------	-------------

NOTE: EV0=All 4.7L Engines

1	53030851	1				EV0			TUBE, PCV Valve
2	53031777AA	1				EV0			VALVE, Crankcase Vent
3	53031711AA	1				EV0			O RING
4	53030850	2				EV0			BREATHER, Crankcase



GRAND CHEROKEE (WJ)

SERIES LINE
H = Laredo T = JEEP - 2WD
P = Limited J = JEEP - 4WD

BODY
74 = SPORT UTILITY 4-DR

ENGINE
ERH = ENGINE - 4.0L
POWER TECH I-6
EVA = ENGINE- 4.7L V8 MPI

TRANSMISSION
DGK = TRANSMISSION - 4-SPD.
AUTOMATIC, 42RE
DGQ = TRANSMISSION-5SPD
AUTOMATIC 5-45RFE
DGO = ALL AUTOMATIC
TRANSMISSIONS

AR = use ase required - = Non illustrated part

2001 WJ

Group - 11

Exhaust

Group - 11 Exhaust

Illustration Title

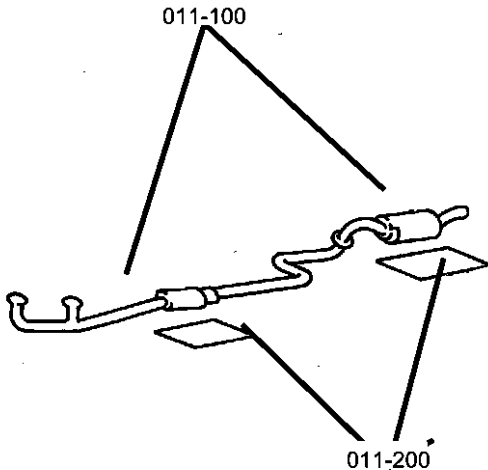
Group-Fig. No.

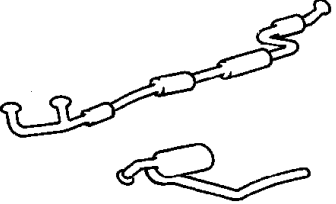
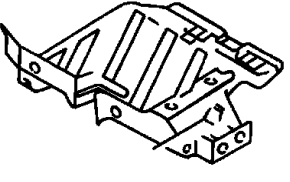
Exhaust System

Exhaust System, 4.0 (ERH) Fig. 11 - 110
 Exhaust System, 4.7 (EVA) Fig. 11 - 120

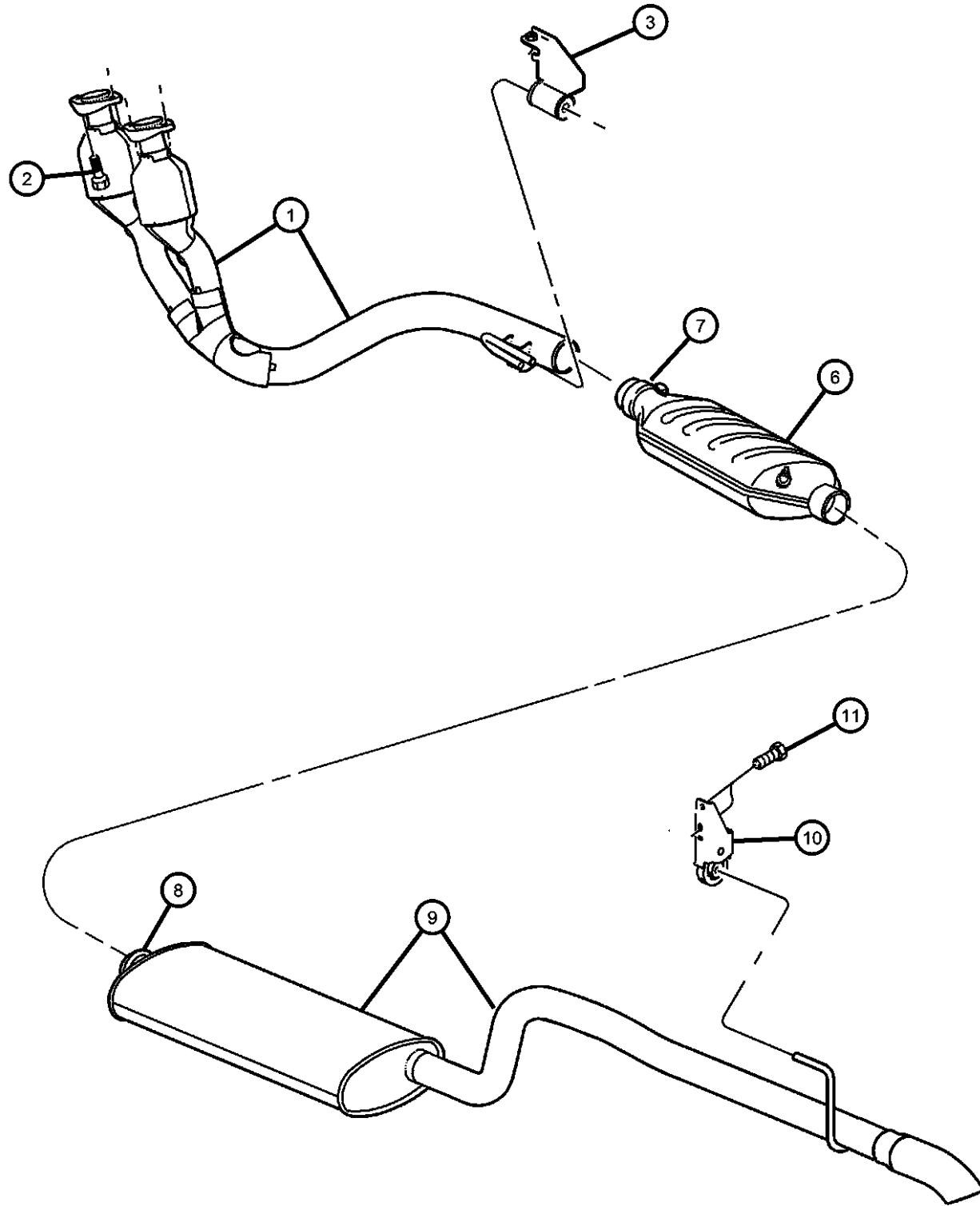
Heat Shields

Heat Shields, 4.0 (ERH), 4.7 (EVA) Fig. 11 - 210



<p>011-100 Exhaust System</p> 	<p>011-200 Heat Shields</p> 		
---	--	--	--

**Exhaust System, 4.0 (ERH)
Figure 11-110**



ITEM	PART NUMBER	QTY	LINE	SERIES	BODY	ENGINE	TRANS	TRIM	DESCRIPTION
Note; Sales Codes [ER0]=All 4.0L Engines									
1									CONVERTER, Catalytic
	52101242AB	1				ER0			California
	52101311AB	1				ER0			Federal
2	06505754AA	4				ER0			SCREW, Hex Head
3	52101017AB	1				ER0			HANGER, Exhaust
-4	06022266	1				ER0			SCREW, Hex Head, .375-16x1.5
-5	00152474	1	T			ER0			NUT, Hex Flange Lock, .375-16
6									CONVERTER, Catalytic
	52101393	1				ER0			Federal
	52101470AC	1				ER0			California
7	52101470AC	1							CLAMP, Serviced With Converter, (NOT SERVICED), CLAMP, Exhaust
8	52101040	1				ER0			CLAMP, Exhaust
9	52101094AC	1				ER0			MUFFLER AND TAILPIPE, Exhaust
	E0017308UF								Dynomax Cat Back Single Exhaust With Ultra Flow Muffler
	E0019312ST								Dynomax Cat Back Single Exhaust With Super Turbo Muffler
10	52101141AD	1							HANGER, Tailpipe
11	52101141AD	1							SCREW, (NOT SERVICED)
-12	06505754AA	4				ER0			SCREW, Hex Head, Exhaust manifold to converter
-13	06506546AA	2				ER0			NUT, Exhaust Manifold, Exhaust manifold to converter

GRAND CHEROKEE (WJ)

SERIES LINE
H = Laredo T = JEEP - 2WD
P = Limited J = JEEP - 4WD

BODY
74 = SPORT UTILITY 4-DR

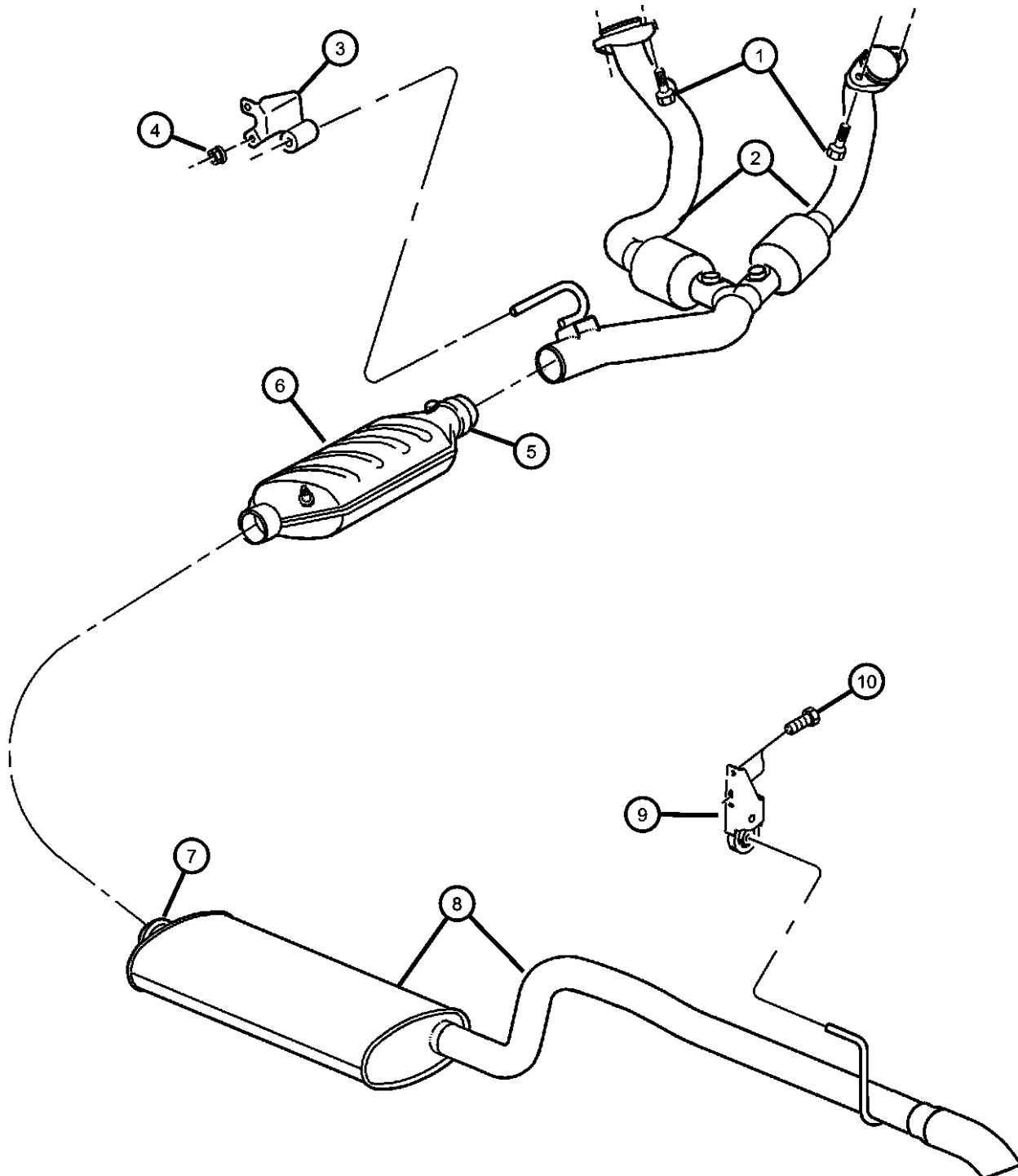
ENGINE
ERH = ENGINE - 4.0L
POWER TECH I-6
EVA = ENGINE- 4.7L V8 MPI

TRANSMISSION
DGK = TRANSMISSION - 4-SPD.
AUTOMATIC, 42RE
DGQ = TRANSMISSION-5SPD
AUTOMATIC 5-45RFE
DGO = ALL AUTOMATIC
TRANSMISSIONS

AR = use ase required - = Non illustrated part

2001 WJ

**Exhaust System, 4.7 (EVA)
Figure 11-120**



ITEM	PART NUMBER	QTY	LINE	SERIES	BODY	ENGINE	TRANS	TRIM	DESCRIPTION
------	-------------	-----	------	--------	------	--------	-------	------	-------------

NOTE: EV0=All 4.7L Engines

1	06506012AA	4				EV0			SCREW, Hex Head
2	52101093AB	1				EV0			CONVERTER, Catalytic
3	52101018AB	1				EV0			HANGER, Exhaust
4	06502696	2				EV0			NUT, Hex Flange Lock, M14x1.50
5	06502696	2							CLAMP, Serviced With Converter, (NOT SERVICED)
6	52101393	1				EV0			CONVERTER, Catalytic
7	52101040	1				EVA			CLAMP, Exhaust
8	52101095AB	1				EV0			MUFFLER AND TAILPIPE, Exhaust
	E0019312ST								Dynomax Cat Back Single Exhaust With Super Turbo Muffler
	E0017308UF								Dynomax Cat Back Single Exhaust With Ultra Flow Muffler
9	52101141AD	1							HANGER, Tailpipe
10	52101141AD	1							SCREW, (NOT SERVICED)

GRAND CHEROKEE (WJ)

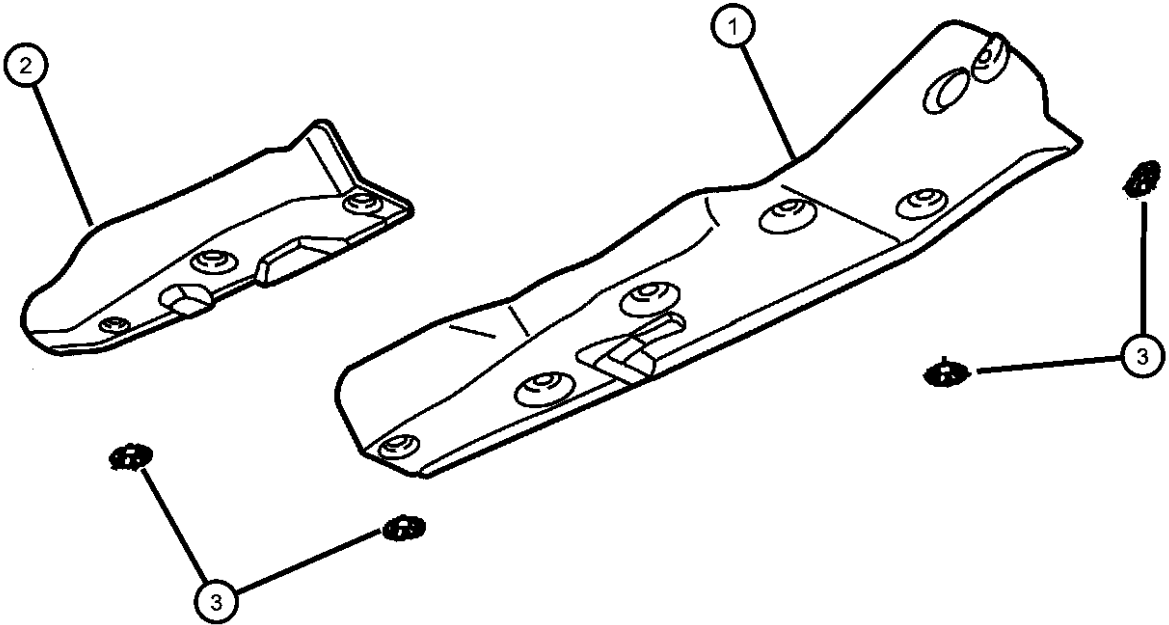
SERIES	LINE	BODY	ENGINE	TRANSMISSION
H = Laredo	T = JEEP - 2WD	74 = SPORT UTILITY 4-DR	ERH = ENGINE - 4.0L POWER TECH I-6	DGK = TRANSMISSION - 4-SPD. AUTOMATIC, 42RE
P = Limited	J = JEEP - 4WD		EVA = ENGINE- 4.7L V8 MPI	DGQ = TRANSMISSION-5SPD AUTOMATIC 5-45RFE
				DGO = ALL AUTOMATIC TRANSMISSIONS

AR = use ase required - = Non illustrated part

Heat Shields, 4.0 (ERH), 4.7 (EVA)

Figure 11-210

ITEM	PART NUMBER	QTY	LINE	SERIES	BODY	ENGINE	TRANS	TRIM	DESCRIPTION
1	55135709AC	1							SHIELD, Heat
2	55135712AD	1							SHIELD, Heat
3	55135712AD	1							NUT, Heat Shield Attach, M5x1.60, (NOT SERVICED)



GRAND CHEROKEE (WJ)

SERIES	LINE	BODY	ENGINE	TRANSMISSION
H = Laredo	T = JEEP - 2WD	74 = SPORT UTILITY 4-DR	ERH = ENGINE - 4.0L POWER TECH I-6	DGK = TRANSMISSION - 4-SPD. AUTOMATIC, 42RE
P = Limited	J = JEEP - 4WD		EVA = ENGINE- 4.7L V8 MPI	DGQ = TRANSMISSION-5SPD AUTOMATIC 5-45RFE DGO = ALL AUTOMATIC TRANSMISSIONS

AR = use ase required - = Non illustrated part

Group - 13

Frames and Bumpers

Group - 13 Frames and Bumpers

Group-Fig. No.

Illustration Title

Front Bumper and Fascia

Bumper, FrontFig. 13 - 240

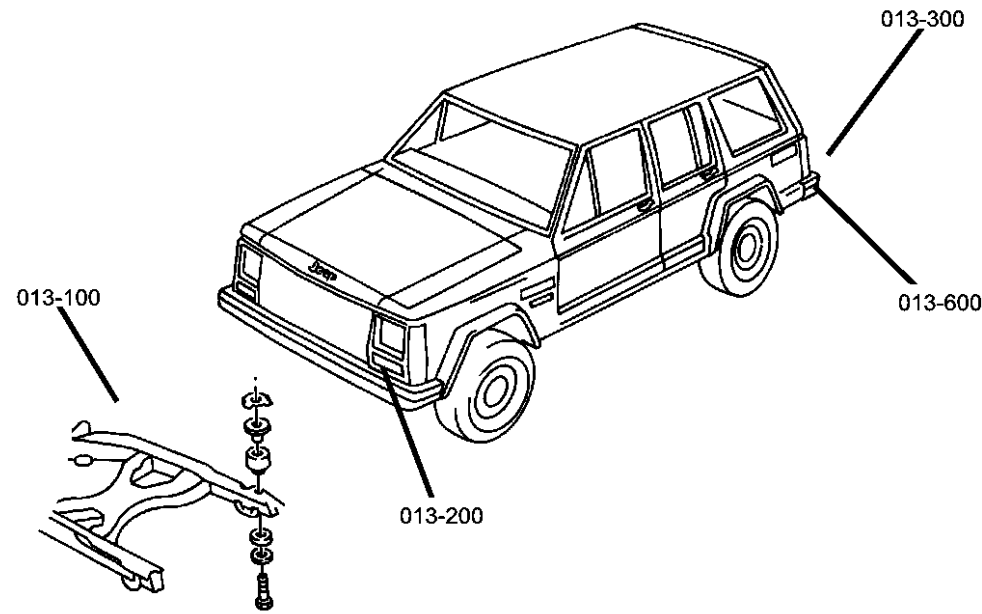
Rear Bumper and Fascia

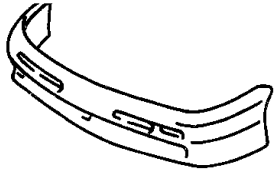


Bumper, RearFig. 13 - 340

Trailer Tow

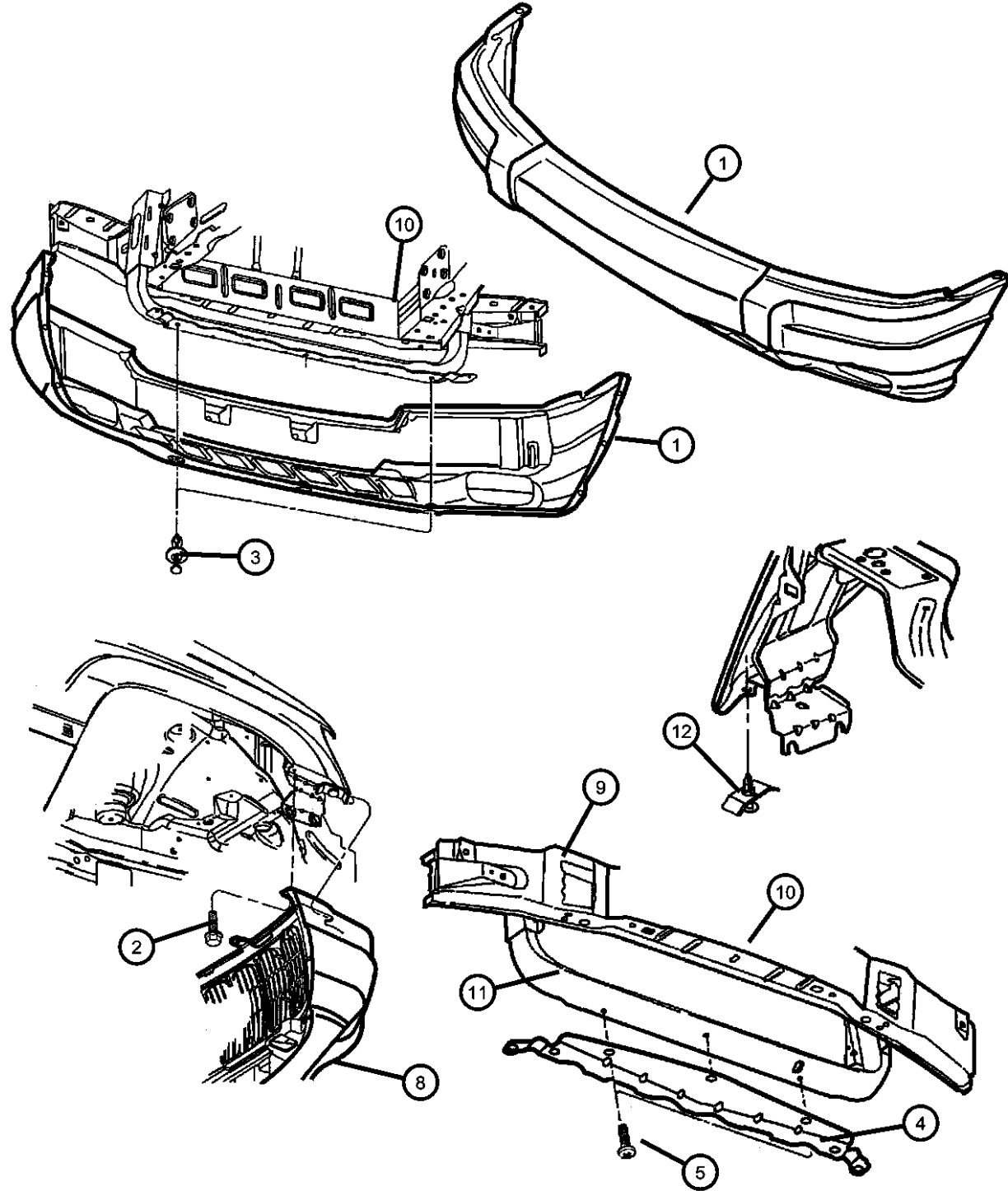
Tow EyeFig. 13 - 610

Rear HitchFig. 13 - 620



<p>013-200 Front Bumper and Fascia</p> 	<p>013-300 Rear Bumper and Fascia</p> 	<p>013-600 Trailer Tow</p> 	
--	--	---	--

Bumper, Front
Figure 13-240



ITEM	PART NUMBER	QTY	LINE	SERIES	BODY	ENGINE	TRANS	TRIM	DESCRIPTION
------	-------------	-----	------	--------	------	--------	-------	------	-------------

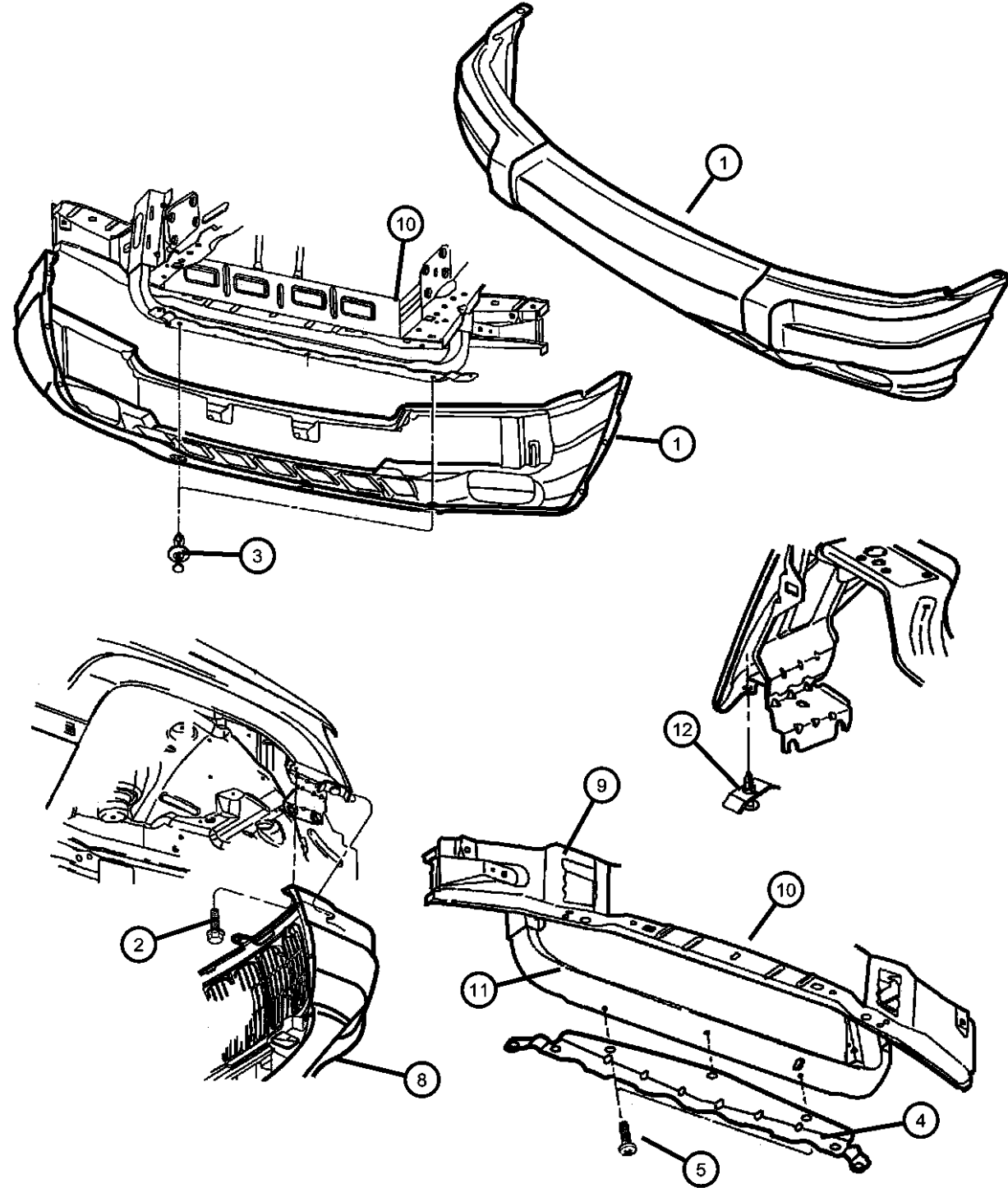
Note: Sales Codes
 [ADX] = Special Appearance Package

1									FASCIA, Front
	5EU79XS9AB	1		H					Without [ADX], without Fog Lamps [LNJ]
	5FN29VF7AB	1	J, T	H	74				[W1], [ADX] With Fog Lamps [LNJ]
		1	J, T	H	74				[EL], [ADX] With Fog Lamps [LNJ]
		1	J, T	H	74				[UB], [ADX] With Fog Lamps [LNJ]
		1	J, T	H	74				[TH], [ADX] With Fog Lamps [LNJ]
		1	J, T	H	74				[S5], [ADX] With Fog Lamps [LNJ]
		1	J, T	H	74				[DR], [ADX] With Fog Lamps [LNJ]
	5FN29XS9AB	1	J, T	H	74				[X8], [ADX] With Fog Lamps [LNJ]
		1	J, T	H	74				[R4], [ADX] With Fog Lamps [LNJ]
		1	J, T	H	74				[JR], [ADX] With Fog Lamps [LNJ]
		1	J, T	H	74				[GR], [ADX] With Fog Lamps [LNJ]
		1	J, T	H	74				Without [ADX], with Fog Lamps [LNJ]
	5FN29YBMAB	1	J, T	H	74				[BT], [ADX] With Fog Lamps [LNJ]
		1	J, T	H	74				[BQ], [ADX] With Fog Lamps [LNJ]
	5FN29YR8AB	1		H					[UL], [ADX] With Fog Lamps [LNJ]
	5GL78DX8AA	1		P					[X8]
	5GL78SW1AA	1		P					[W1]
	5GL78WB-TAA	1		P					[BT]
	5GL78WE-LAA	1		P					[EL]
	5GL78WTHAA	1		P					[TH]
	5GL78PR4AA	1		P					[R4]
	5GL78XBQAA	1		P					[BQ]
	5GL78XGRAA	1		P					[GR]
	5GL78XS5AA	1		P					[S5]

GRAND CHEROKEE (WJ)
 SERIES LINE BODY ENGINE TRANSMISSION
 H = Laredo T = JEEP - 2WD 74 = SPORT UTILITY 4-DR ERH = ENGINE - 4.0L DKG = TRANSMISSION - 4-SPD.
 P = Limited J = JEEP - 4WD POWER TECH I-6 AUTOMATIC, 42RE
 EVA = ENGINE- 4.7L V8 MPI DGO = ALL AUTOMATIC TRANSMISSIONS
 DGG = TRANSMISSION-5SPD AUTOMATIC 5-45RFE

AR = use ase required - = Non illustrated part

Bumper, Front
Figure 13-240



ITEM	PART NUMBER	QTY	LINE	SERIES	BODY	ENGINE	TRANS	TRIM	DESCRIPTION
	5GL78WU-LAA	1		P					[UL]
	5GL78YUBAA	1		P					[UB]
2	06505813AA	2							SCREW, Hex Flange Head
3	55176248	3							PIN, Push
4	55296138AA	1							BRACKET, Fascia
5	55296138AA	1							SCREW, M6x1.00x15.00, (NOT SERVICED)
-6	55296138AA	1							SCREW, (NOT SERVICED)
-7	06503267	2							SCREW, Round Head, M6x1x25
8	55155750AA	1							LICENSE PLATE KIT
9	55135880	1							CROSSMEMBER, Radiator, Front Lower Front
10	55136113	1							CROSSMEMBER, Radiator, Front Lower Rear
11	55135870	1							CROSSMEMBER, Radiator
12	06505361AA	2							PIN, Push
-13	55155165	1		H					BUMPER, Fascia, Front, Absorber, Laredo
-14	55155505	1		P					ABSORBER, Front Energy, Limited
-15	06505667AA	4							PIN, Deflector
-16	55115928	1							DEFLECTOR, Radiator

GRAND CHEROKEE (WJ)

SERIES LINE
H = Laredo T = JEEP - 2WD
P = Limited J = JEEP - 4WD

BODY
74 = SPORT UTILITY 4-DR

ENGINE
ERH = ENGINE - 4.0L
POWER TECH I-6
EVA = ENGINE- 4.7L V8 MPI

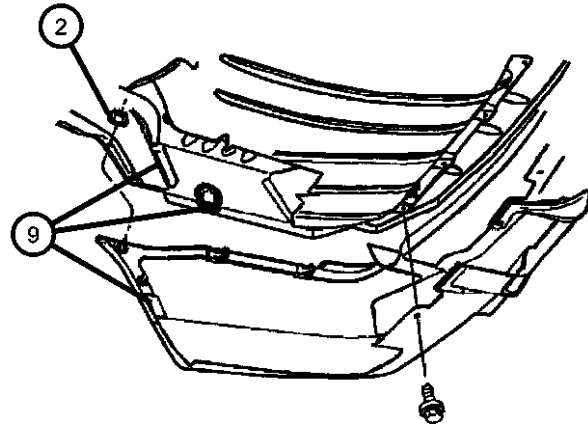
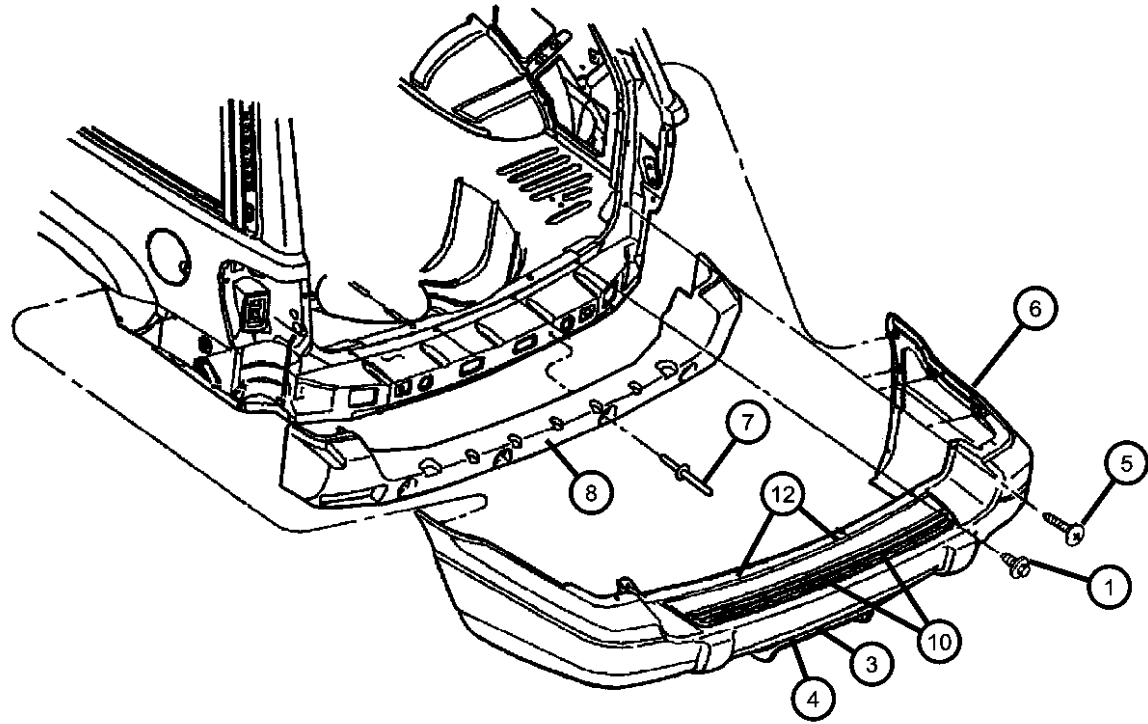
TRANSMISSION
DGK = TRANSMISSION - 4-SPD.
AUTOMATIC, 42RE
DGQ = TRANSMISSION-5SPD
AUTOMATIC 5-45RFE
DGO = ALL AUTOMATIC
TRANSMISSIONS

AR = use ase required - = Non illustrated part

2001 WJ

Bumper, Rear
Figure 13-340

ITEM	PART NUMBER	QTY	LINE	SERIES	BODY	ENGINE	TRANS	TRIM	DESCRIPTION
1	55176248	3							PIN, Push
2	55176248	3							NUT AND WASHER, Hex, M6x1.0, (NOT SERVICED)
3	34201631	6							RIVET, M6.25x28 Black
4	00154228	5							SCREW, Tapping, .19-16x.625
5	06035412	1							SCREW
6									FASCIA, Rear
	05012804AA	1		P					Without Hitch Bezel
	05012936AA	1		P					With Hitch Bezel
	0TK66XS9AA	1		H					Without [ADX], With Hitch Bezel
	0TK66YBMAA	1		H					[BQ], [ADX] With Hitch Bezel
		1		H					[BT], [ADX] With Hitch Bezel
	0TK66YR8AA	1		H					[UL], [ADX] With Hitch Bezel
	0TK66VF7AB	1		H					[UB], [ADX] With Hitch Bezel
		1		H					[W1], [ADX] With Hitch Bezel
		1		H					[DR], [ADX] With Hitch Bezel
		1		H					[EL], [ADX] With Hitch Bezel
		1		H					[S5], [ADX] With Hitch Bezel
		1		H					[TH], [ADX] With Hitch Bezel
	0TK66XS9AB	1		H					[GR], [ADX] With Hitch Bezel
		1		H					[JR], [ADX] With Hitch Bezel
		1		H					[R4], [ADX] With Hitch Bezel
		1		H					[X8], [ADX] With Hitch Bezel
	5EU81VF7AB	1		H					[DR], [ADX] Without Hitch Bezel
		1		H					[EL], [ADX] Without Hitch Bezel
		1		H					[S5], [ADX] Without Hitch Bezel
		1		H					[TH], [ADX] Without Hitch Bezel
		1		H					[UB], [ADX] Without Hitch Bezel
		1		H					[W1], [ADX] Without Hitch Bezel
	5EU81XS9AB	1		H					[GR], [ADX] Without Hitch Bezel
		1		H					Without [ADX], Without Hitch Bezel
		1		H					[JR], [ADX] Without Hitch Bezel
		1		H					[R4], [ADX] Without Hitch Bezel
		1		H					[X8], [ADX] Without Hitch Bezel



GRAND CHEROKEE (WJ)

SERIES LINE
H = Laredo T = JEEP - 2WD
P = Limited J = JEEP - 4WD

BODY
74 = SPORT UTILITY 4-DR

ENGINE
ERH = ENGINE - 4.0L
POWER TECH I-6
EVA = ENGINE- 4.7L V8 MPI

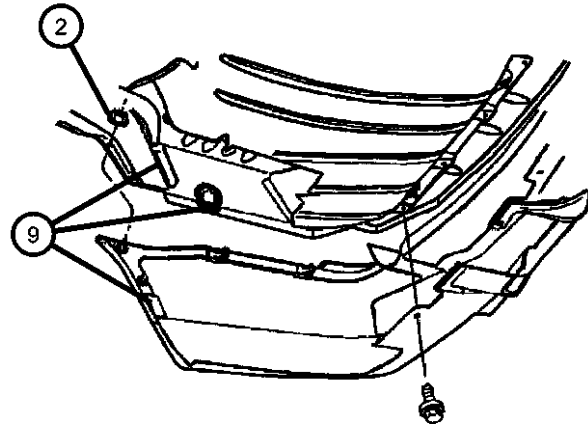
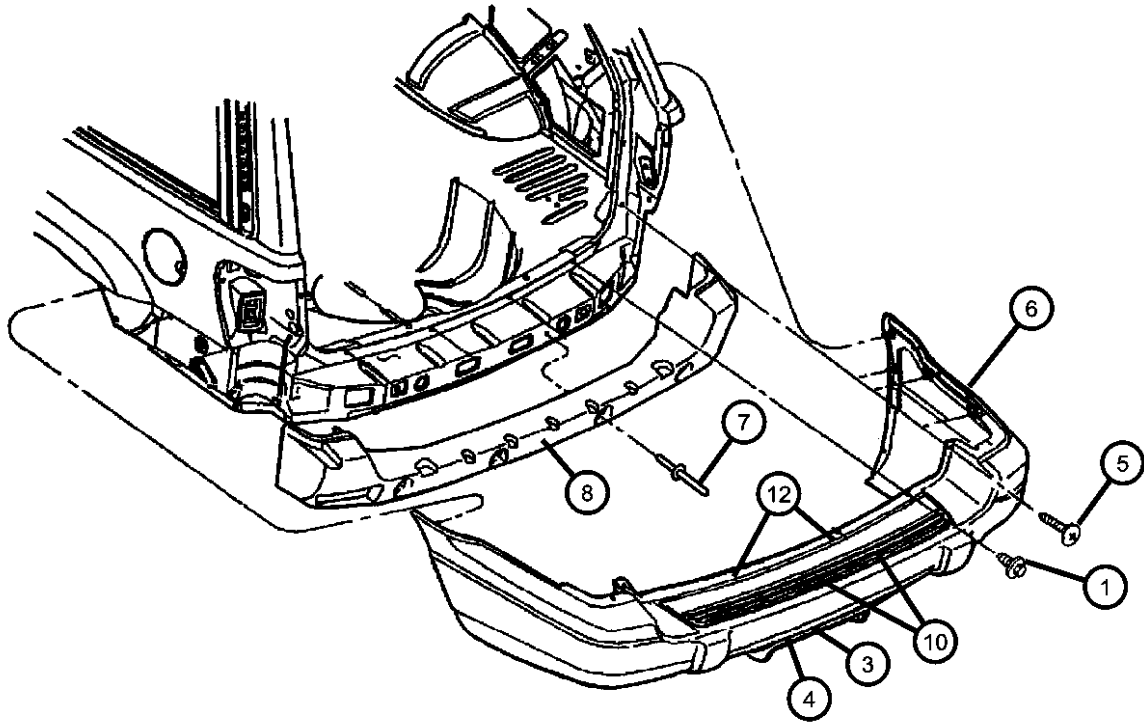
TRANSMISSION
DGK = TRANSMISSION - 4-SPD.
AUTOMATIC, 42RE
DGQ = TRANSMISSION-5SPD
AUTOMATIC 5-45RFE
DGO = ALL AUTOMATIC
TRANSMISSIONS

AR = use ase required - = Non illustrated part

2001 WJ

Bumper, Rear
Figure 13-340

ITEM	PART NUMBER	QTY	LINE	SERIES	BODY	ENGINE	TRANS	TRIM	DESCRIPTION
	5EU81YBMAB	1		H					[BQ], [ADX] Without Hitch Bezel
		1		H					[BT], [ADX] Without Hitch Bezel
	5EU81YR8AB	1		H					[UL], [ADX] Without Hitch Bezel
7	5EU81YR8AB	1							RIVET, (NOT SERVICED),
8									ABSORBER, Rear Energy
	55155166	1		H					Laredo
	55155506	1		P					Limited
9									RETAINER PACKAGE, Fascia
	05015522AB	1		H					Laredo, Right
		1		P					Limited, Right
	05015523AB	1		H					Laredo, Left
		1		P					Limited, Left
10									STEP PAD PACKAGE, Rear Fascia
	05015524AA	1		H					Laredo
		1		P					Limited
-11									NUT, PACKAGE
	05013799AA	4		H					Laredo
		4		P					Limited
12	06503106	8							RETAINER, Push In Type M6.3 Hole
13									BEZEL, Hitch
	5FY07DX9AA	1		P					
	5FY10VF7AA	1		H					[S5,TH, UB,UL,W1,DR,EL]
	5FY10XS9AA	1		H					[BQ,BT,GR,R4,X8,JR,UL]



GRAND CHEROKEE (WJ)

SERIES LINE
H = Laredo T = JEEP - 2WD
P = Limited J = JEEP - 4WD

BODY
74 = SPORT UTILITY 4-DR

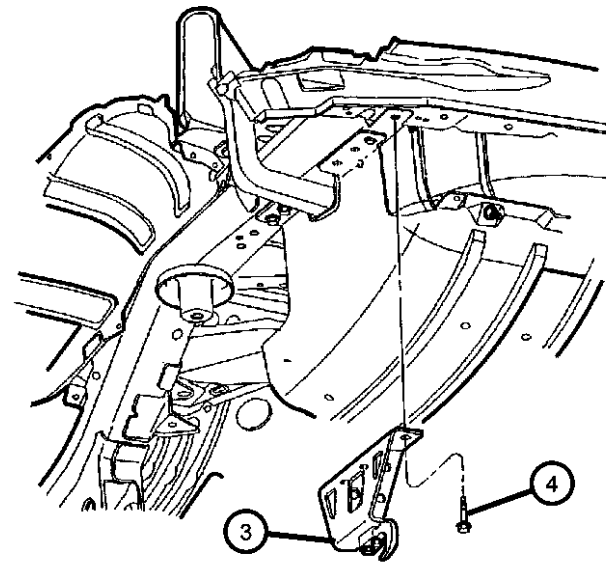
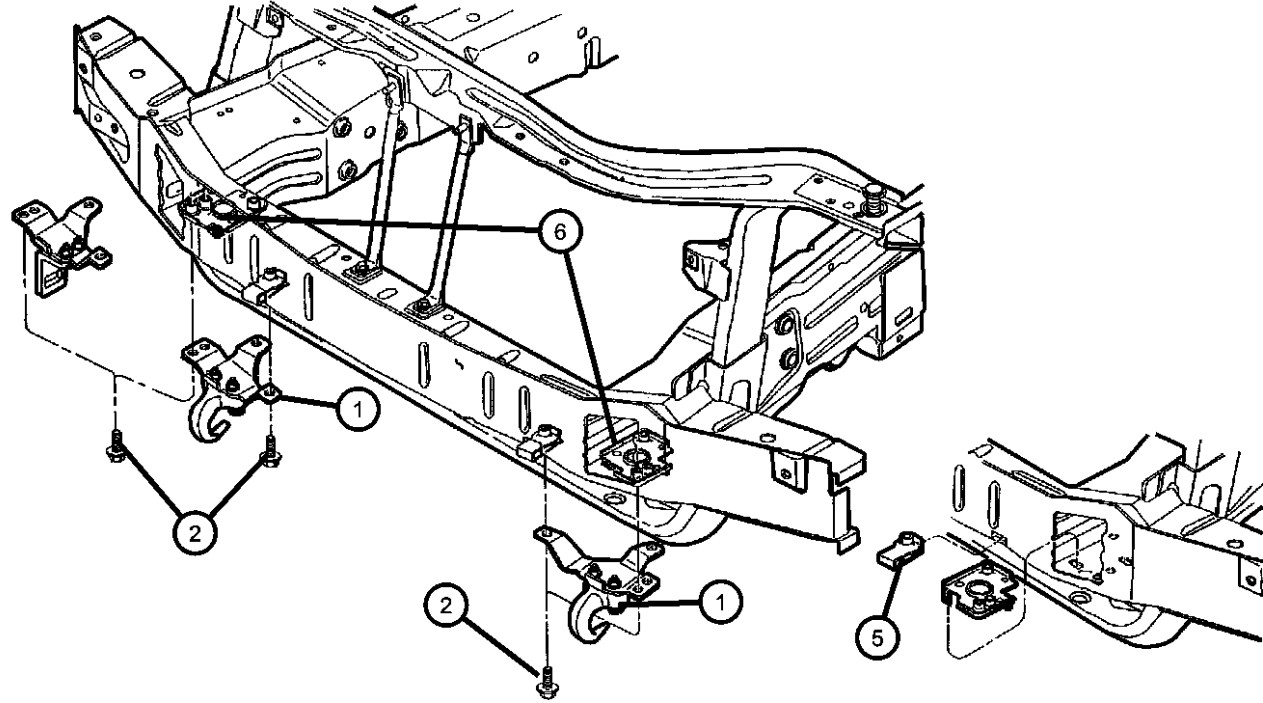
ENGINE
ERH = ENGINE - 4.0L
POWER TECH I-6
EVA = ENGINE- 4.7L V8 MPI

TRANSMISSION
DGK = TRANSMISSION - 4-SPD.
AUTOMATIC,42RE
DGQ = TRANSMISSION-5SPD
AUTOMATIC 5-45RFE
DGO = ALL AUTOMATIC
TRANSMISSIONS

AR = use ase required - = Non illustrated part

2001 WJ

Tow Eye
Figure 13-610



ITEM	PART NUMBER	QTY	LINE	SERIES	BODY	ENGINE	TRANS	TRIM	DESCRIPTION
1									HOOK, Tow
	52059012	1							Painted, Right Front
	52059013	1							Painted, Left Front
	52059014AB	1							Hold Down
	52059415AA	1							Chrome, Left Front
	52059416AA	1							Chrome, Right Front
2	06101102	7							BOLT, Hex Head, M12x1.75x45
3									HOOK, Tow
	52059012	1							Painted, Right Rear
	52059013	1							Painted, Left Rear
	52059415AA	1							Chrome, Left Rear
	52059416AA	1							Chrome, Right Rear
4	52059416AA	1							SCREW AND WASHER, M10x1.50x35, (NOT SERVICED), NUT, M10x1.50
5	06504818AA	2							
6									TAPPING PLATE, Tow Hook
	52059156AA	1							Right
	52059157AA	1							Left

GRAND CHEROKEE (WJ)

SERIES LINE
H = Laredo T = JEEP - 2WD
P = Limited J = JEEP - 4WD

BODY
74 = SPORT UTILITY 4-DR

ENGINE
ERH = ENGINE - 4.0L
POWER TECH I-6
EVA = ENGINE- 4.7L V8 MPI

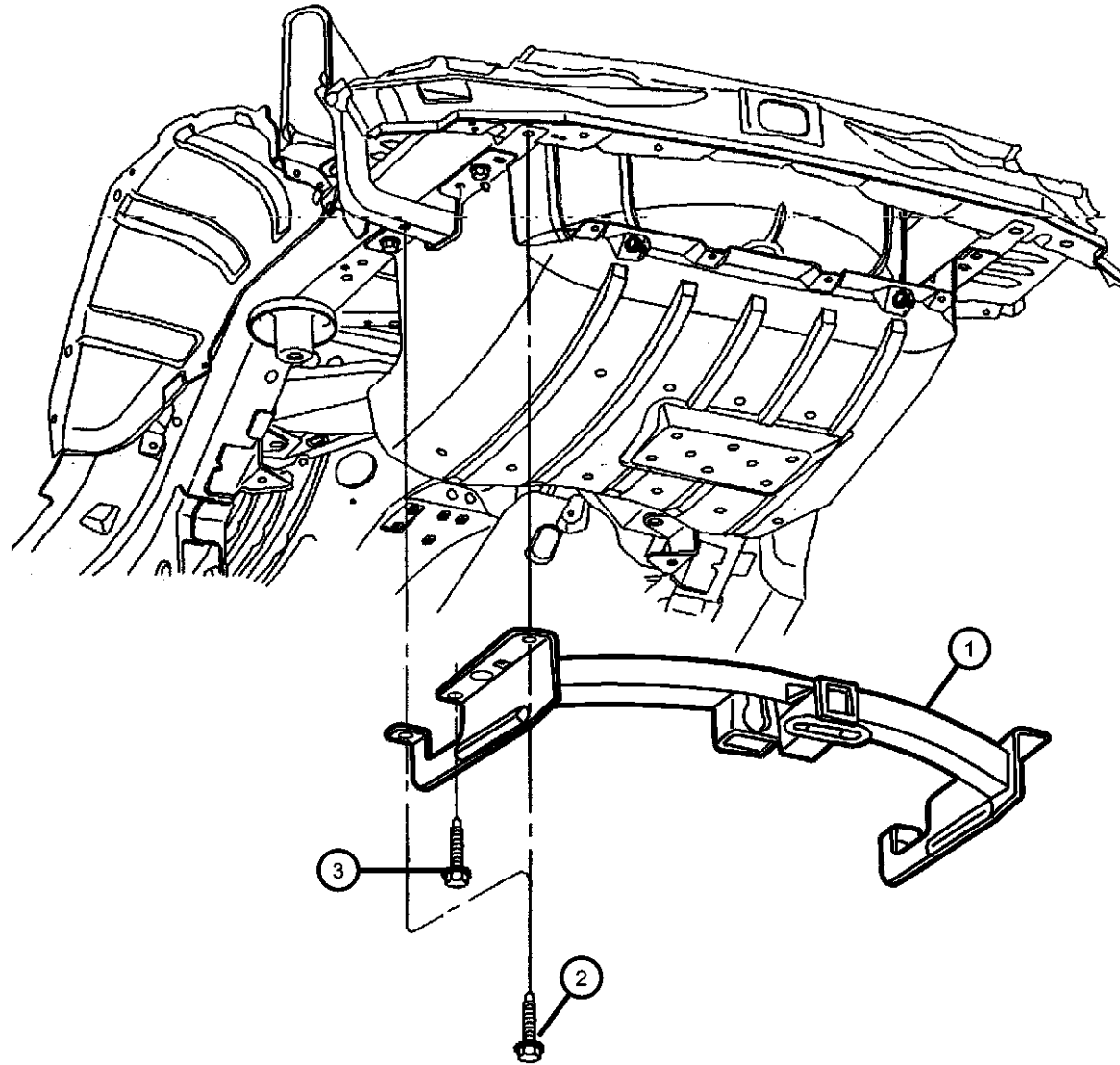
TRANSMISSION
DGK = TRANSMISSION - 4-SPD.
AUTOMATIC, 42RE
DGQ = TRANSMISSION-5SPD
AUTOMATIC 5-45RFE
DGO = ALL AUTOMATIC
TRANSMISSIONS

AR = use ase required - = Non illustrated part

2001 WJ

Rear Hitch
Figure 13-620

ITEM	PART NUMBER	QTY	LINE	SERIES	BODY	ENGINE	TRANS	TRIM	DESCRIPTION
1	82206837	1	J, T	H, P	74				RECEIVER KIT, Trailer Tow
2	06101102	2							BOLT, Hex Head, M12x1.75x45
3	06503571	4							SCREW AND WASHER, M10x1.50x35
-4	52059238AA	1							BRACE, Tow Hook



GRAND CHEROKEE (WJ)

SERIES LINE
H = Laredo T = JEEP - 2WD
P = Limited J = JEEP - 4WD

BODY
74 = SPORT UTILITY 4-DR

ENGINE
ERH = ENGINE - 4.0L
POWER TECH I-6
EVA = ENGINE- 4.7L V8 MPI

TRANSMISSION
DGK = TRANSMISSION - 4-SPD.
AUTOMATIC, 42RE
DGQ = TRANSMISSION-5SPD
AUTOMATIC 5-45RFE
DGO = ALL AUTOMATIC
TRANSMISSIONS

AR = use ase required - = Non illustrated part

2001 WJ

Group - 14

Fuel

Group - 14 Fuel

Illustration Title

Group-Fig. No.

Tank, Fuel

Fuel Tank, 4.0 (ERH), 4.7 (EVA)Fig. 14 - 110

Fuel Tank Filler Tube

Fuel Tank Filler Tube, 4.0 (ERH), 4.7 (EVA)Fig. 14 - 210

Fuel Lines

Fuel Lines, Front, 4.0 (ERH)Fig. 14 - 310

Fuel Lines, Rear, 4.0 (ERH)Fig. 14 - 320

Fuel Lines, Front, 4.7 (EVA)Fig. 14 - 330

Fuel Lines, Rear, 4.7 (EVA)Fig. 14 - 340

Fuel Rail

Fuel Rail, 4.0 (ERH), 4.7 (EVA)Fig. 14 - 410

Fuel Pump and Sending Unit

Fuel Pump and Sending Unit, 4.0 (ERH), 4.7 (EVA)Fig. 14 - 510

Throttle Body

Throttle Body, 4.0 (ERH), 4.7 (EVA)Fig. 14 - 610

Throttle Controls

Throttle Controls, 4.0 (ERH)Fig. 14 - 710

Throttle Controls, 4.7 (EVA)Fig. 14 - 720

Air Cleaner

Air Cleaner, 4.0 (ERH)Fig. 14 - 810

Air Cleaner, 4.7 (EVA)Fig. 14 - 820

Air Intake System

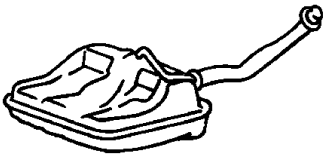
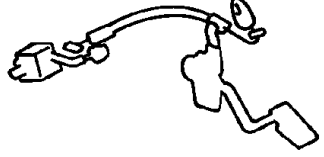

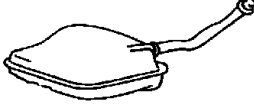

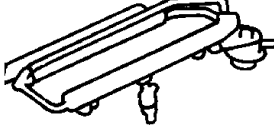
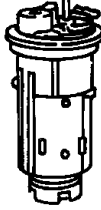

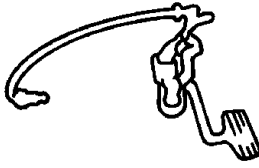
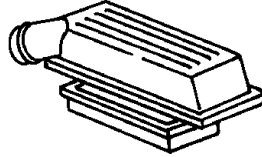
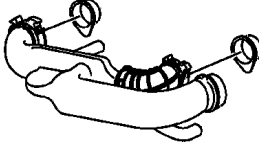
Air Intake SystemFig. 14 - 910

Speed Control

Speed Control, 4.0 (ERH), 4.7 (EVA) Fig. 14 - 1010

Accelerator Pedal

Accelerator Pedal, 4.0 (ERH), 4.7 (EVA)Fig. 14 - 1110

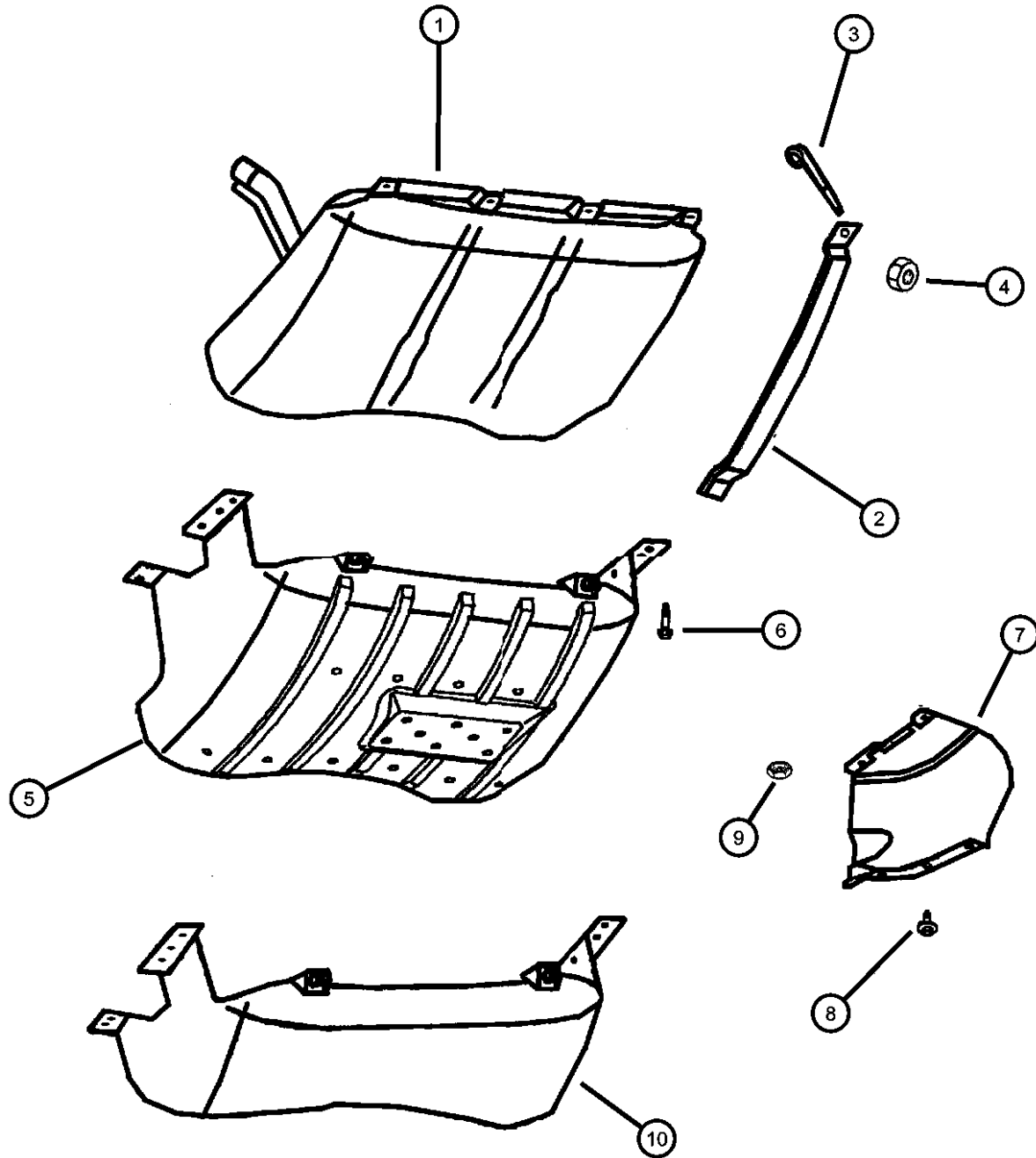
<p>014-100 Tank, Fuel</p> 	<p>014-1000 Speed Control</p> 	<p>014-1100 Accelerator Pedal</p> 	<p>014-200 Fuel Tank Filler Tube</p> 
<p>014-300 Fuel Lines</p> 	<p>014-400 Fuel Rail</p> 	<p>014-500 Fuel Pump and Sending Unit</p> 	<p>014-600 Throttle Body</p> 
<p>014-700 Throttle Controls</p> 	<p>014-800 Air Cleaner</p> 	<p>014-900 Air Intake System</p> 	

Fuel Tank, 4.0 (ERH), 4.7 (EVA)
Figure 14-110

ITEM	PART NUMBER	QTY	LINE	SERIES	BODY	ENGINE	TRANS	TRIM	DESCRIPTION
------	-------------	-----	------	--------	------	--------	-------	------	-------------

NOTE:
ER0=All 4.0L Engines
EV0=All 4.7L Engines

1	52100074	1							TANK, Fuel
2	52080141AA	1							STRAP, Fuel Tank Standard / Left Front
	52080142AA	2							With Trailer Tow
	52080143AA	2							Without Trailer Tow
	52100216	2							
3	06504171	2							SCREW, Hex Flange Head, M8x1.25x32
4	06100517	2							NUT, Hex Flange Lock, M8 Phosphate
5	52100376AB	1							SKID PLATE, Fuel Tank
6	06101102	7							BOLT, Hex Head, M12x1.75x45
7	55136160AE	1							SHIELD, Fuel Tank
8	34201631	6							RIVET, M6.25x28 Black
9	34201631	6							NUT, Heat Shield Attach, (NOT SERVICED)
10	34201631	6							GUARD, Brush, Fuel Tank, Serviced in Item#5, (NOT SERVICED)



GRAND CHEROKEE (WJ)

SERIES LINE
H = Laredo T = JEEP - 2WD
P = Limited J = JEEP - 4WD

BODY
74 = SPORT UTILITY 4-DR

ENGINE
ERH = ENGINE - 4.0L
POWER TECH I-6
EVA = ENGINE- 4.7L V8 MPI

TRANSMISSION
DGK = TRANSMISSION - 4-SPD.
AUTOMATIC, 42RE
DGQ = TRANSMISSION-5SPD
AUTOMATIC 5-45RFE
DGO = ALL AUTOMATIC
TRANSMISSIONS

AR = use ase required - = Non illustrated part

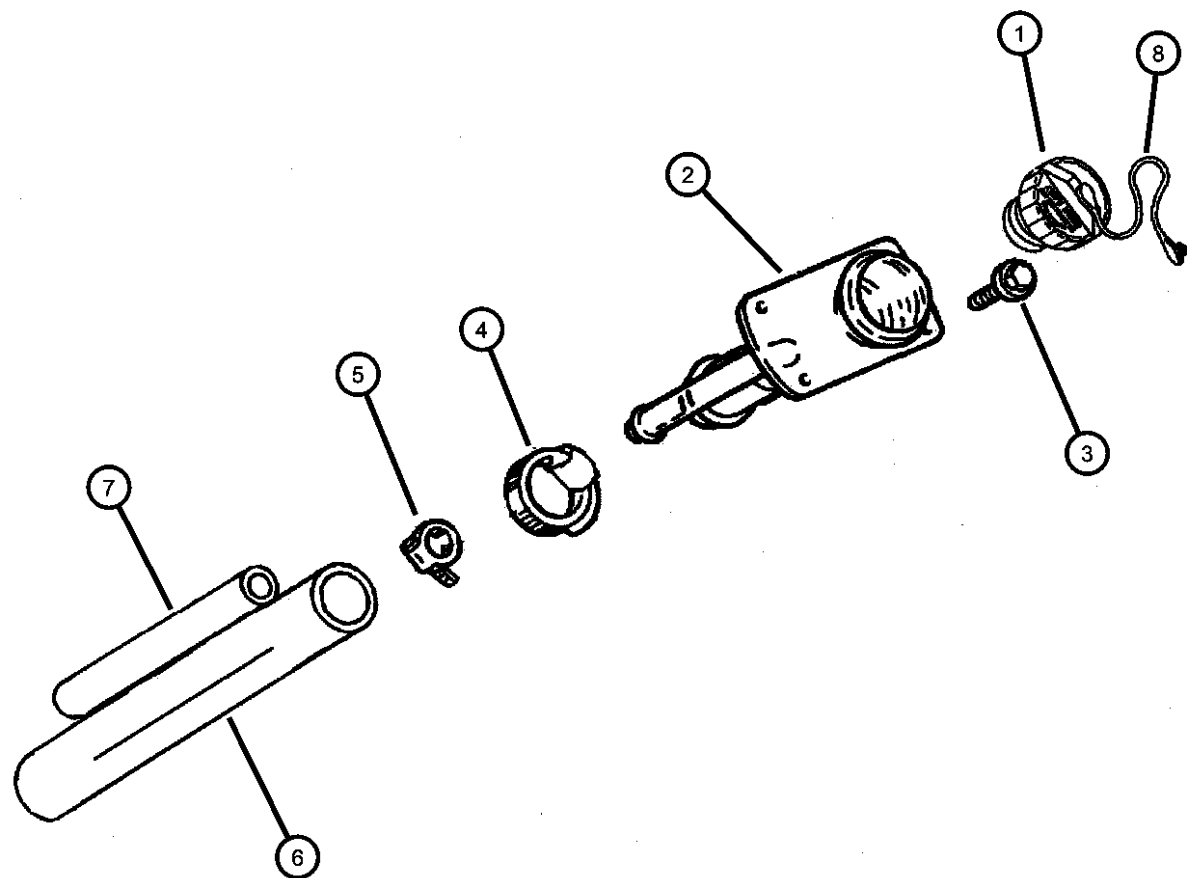
2001 WJ

Fuel Tank Filler Tube, 4.0 (ERH), 4.7 (EVA)
Figure 14-210

ITEM	PART NUMBER	QTY	LINE	SERIES	BODY	ENGINE	TRANS	TRIM	DESCRIPTION
------	-------------	-----	------	--------	------	--------	-------	------	-------------

NOTE:
ER0=All 4.0L Engines
EV0=All 4.7L Engines

1	52102464AA	1							CAP, Fuel Filler
2	52100064AD	1				ER0, EV0			TUBE, Fuel Filler
3	00154236	3							SCREW, Stake, .19-24
4	06505322AA	1							CLAMP, Hose
5	06505322AA	1							CLAMP, Hose, (NOT SERVICED)
6	52100072AC	1							HOSE, Fuel Filler
7	52100073AC	1							HOSE, Fuel Tank Vent
8	04682676	1							TETHER, Fuel Filler Cap



GRAND CHEROKEE (WJ)

SERIES LINE
H = Laredo T = JEEP - 2WD
P = Limited J = JEEP - 4WD

BODY
74 = SPORT UTILITY 4-DR

ENGINE
ERH = ENGINE - 4.0L
POWER TECH I-6
EVA = ENGINE- 4.7L V8 MPI

TRANSMISSION
DGK = TRANSMISSION - 4-SPD.
AUTOMATIC, 42RE
DGQ = TRANSMISSION-5SPD
AUTOMATIC 5-45RFE
DGO = ALL AUTOMATIC
TRANSMISSIONS

AR = use ase required - = Non illustrated part

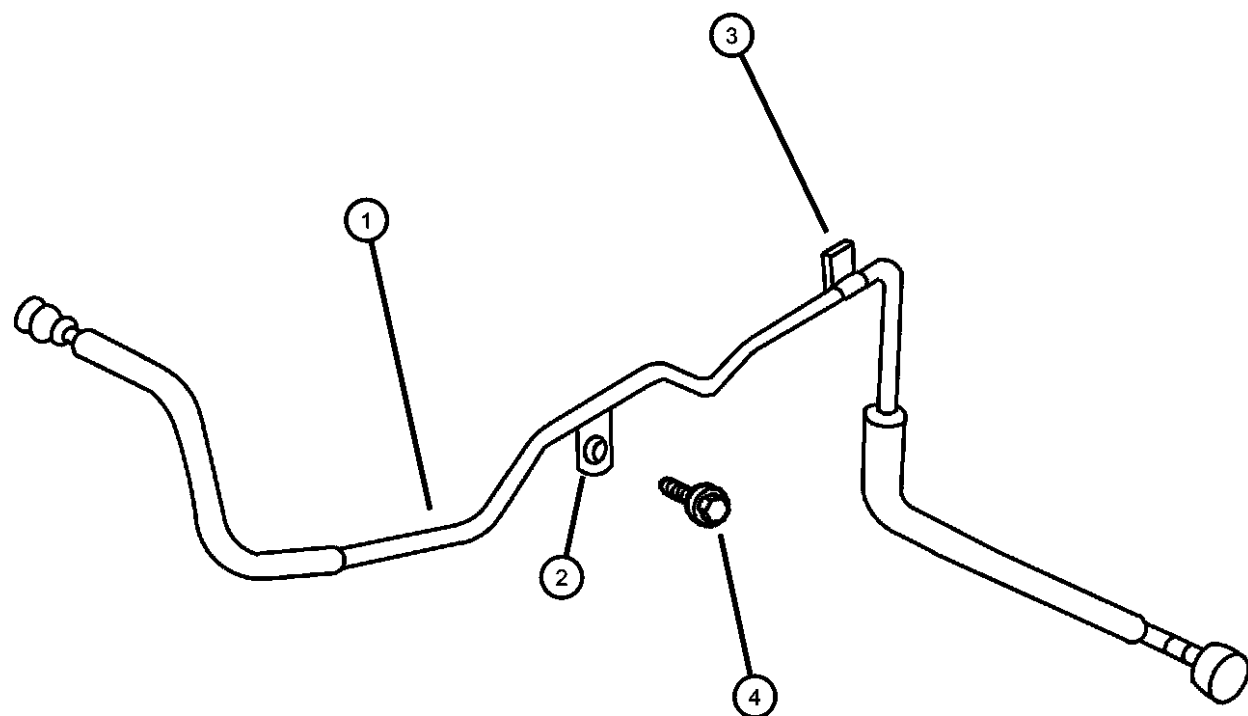
2001 WJ

Fuel Lines, Front, 4.0 (ERH)
Figure 14-310

ITEM	PART NUMBER	QTY	LINE	SERIES	BODY	ENGINE	TRANS	TRIM	DESCRIPTION
------	-------------	-----	------	--------	------	--------	-------	------	-------------

NOTE: ER0=All 4.0L Engines

1	52100041AF	1				ER0			BUNDLE, Fuel Line
2	52100415AB	1				ER0			BRACKET, Fuel Line
3	52100482AA	1				ER0			BRACKET, Fuel Line
4	06501979	1							SCREW AND WASHER, Hex Head, M6x1x17



GRAND CHEROKEE (WJ)

SERIES	LINE	BODY	ENGINE	TRANSMISSION
H = Laredo	T = JEEP - 2WD	74 = SPORT UTILITY 4-DR	ERH = ENGINE - 4.0L POWER TECH I-6	DGK = TRANSMISSION - 4-SPD. AUTOMATIC, 42RE
P = Limited	J = JEEP - 4WD		EVA = ENGINE- 4.7L V8 MPI	DGQ = TRANSMISSION-5SPD AUTOMATIC 5-45RFE DGO = ALL AUTOMATIC TRANSMISSIONS

AR = use ase required - = Non illustrated part

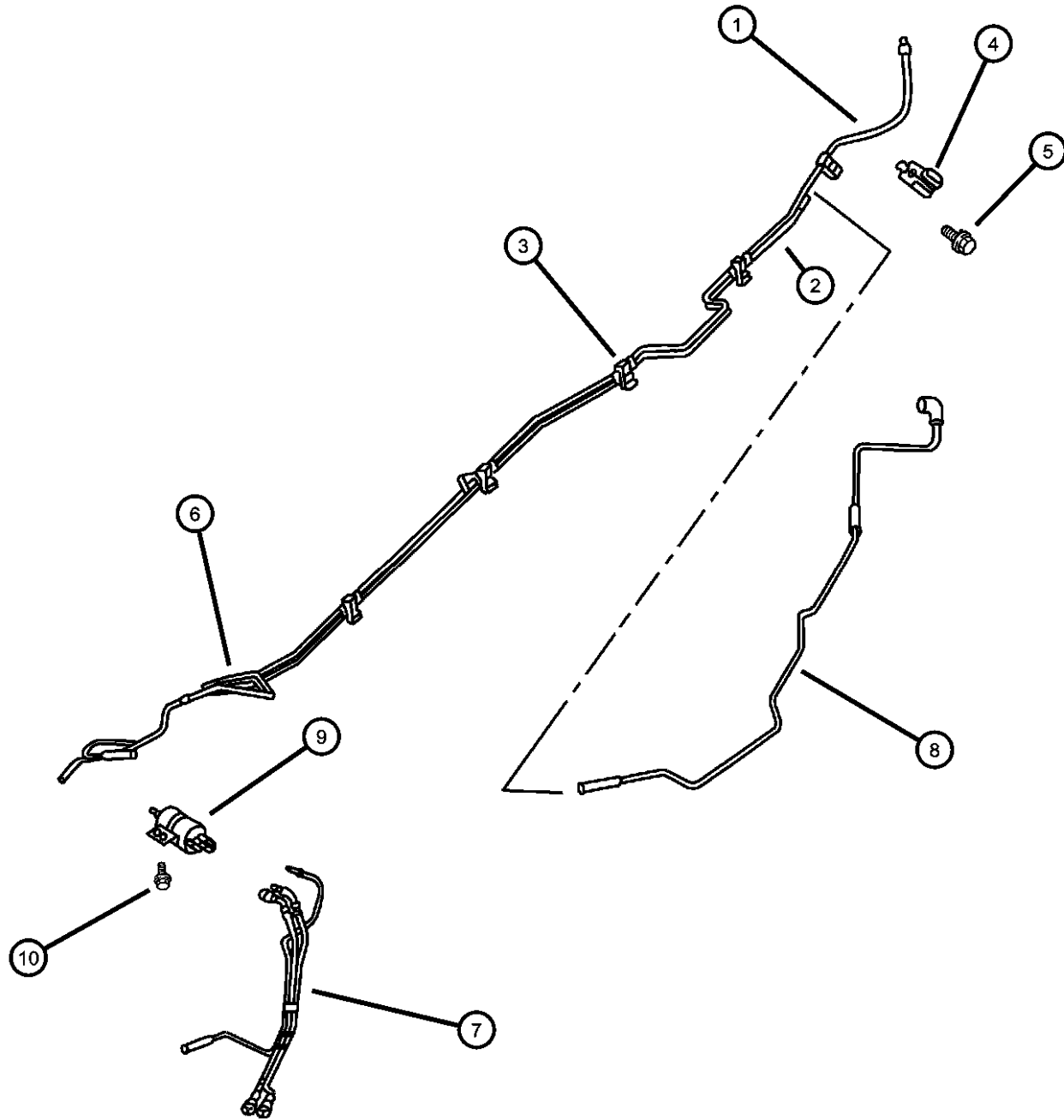
2001 WJ

Fuel Lines, Rear, 4.0 (ERH)
Figure 14-320

ITEM	PART NUMBER	QTY	LINE	SERIES	BODY	ENGINE	TRANS	TRIM	DESCRIPTION
------	-------------	-----	------	--------	------	--------	-------	------	-------------

NOTE:
ER0=All 4.0L Engines
EV0= All 4.7L Engines

1	52100249AD	1				ER0, EV0			TUBE, Fuel Supply
2	52100253AD	1				ER0, EV0			TUBE, Fuel Vapor
3	04695819	6				ER0, EV0			CLIP, Fuel Bundle
4	34202997	1				ER0, EV0			CLIP, Wrap Around Sealing
5	06102132AA	1							SCREW, Hex Head, M6x1x20
6	00120526	1				ER0, EV0			CLIP, Fuel
7	52100196AE	1							TUBE, Fuel
8	52100049AB	1				ER0, EV0			TUBE, Fuel Vapor
9	52100283AC	1				ER0, EV0			FILTER AND REGULATOR, Fuel
10	06102132AA	2				ER0, EV0			SCREW, Hex Head, M6x1x20



GRAND CHEROKEE (WJ)

SERIES LINE
H = Laredo T = JEEP - 2WD
P = Limited J = JEEP - 4WD

BODY
74 = SPORT UTILITY 4-DR

ENGINE
ERH = ENGINE - 4.0L
POWER TECH I-6
EVA = ENGINE- 4.7L V8 MPI

TRANSMISSION
DGK = TRANSMISSION - 4-SPD.
AUTOMATIC, 42RE
DGQ = TRANSMISSION-5SPD
AUTOMATIC 5-45RFE
DGO = ALL AUTOMATIC
TRANSMISSIONS

AR = use ase required - = Non illustrated part

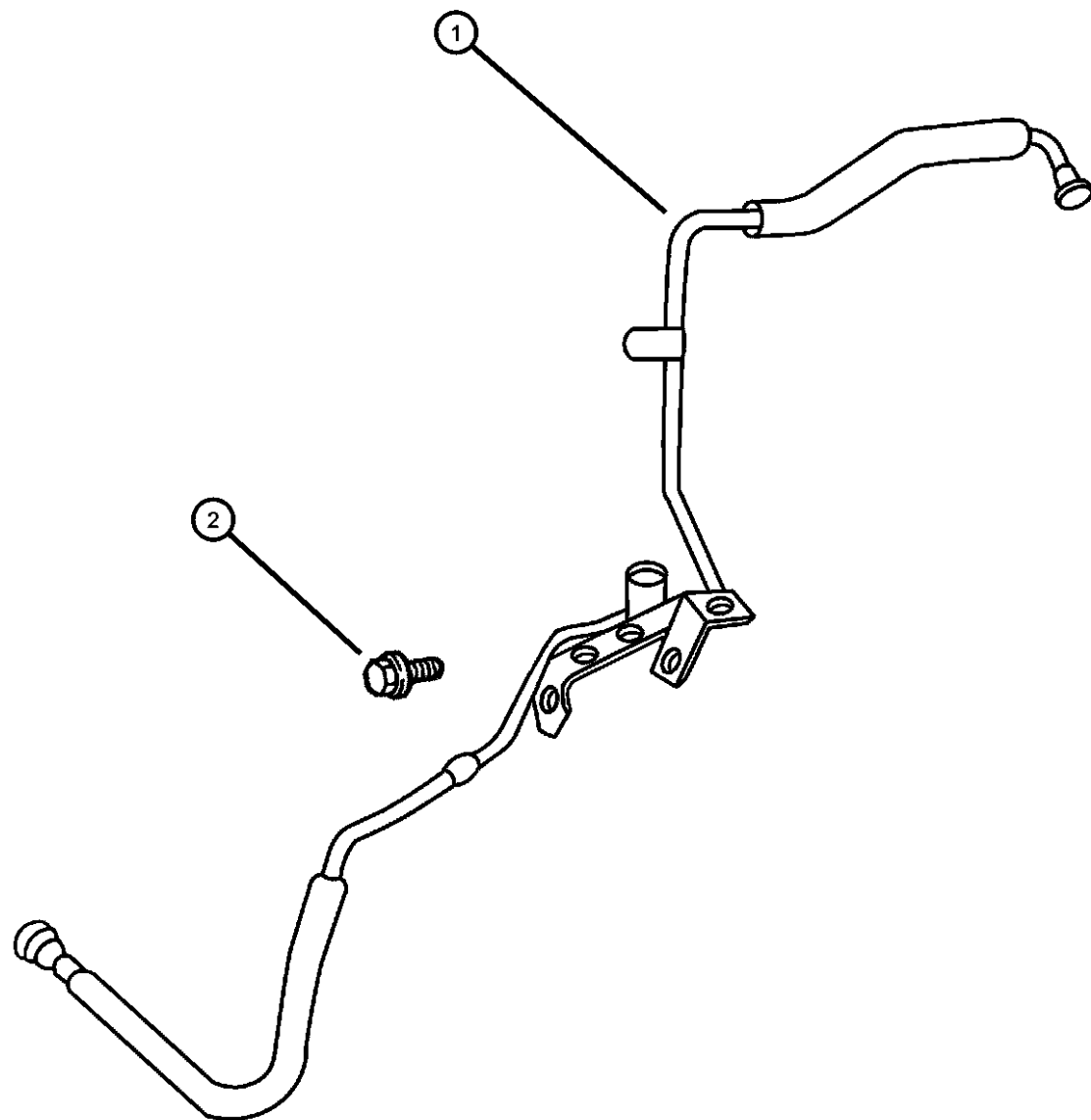
2001 WJ

Fuel Lines, Front, 4.7 (EVA)
Figure 14-330

ITEM	PART NUMBER	QTY	LINE	SERIES	BODY	ENGINE	TRANS	TRIM	DESCRIPTION
------	-------------	-----	------	--------	------	--------	-------	------	-------------

NOTE: EV0=All 4.7L Engines

1	52100043AD	1				EV0			BUNDLE, Fuel Line
2	52100043AD	1							SCREW, (NOT SERVICED)



GRAND CHEROKEE (WJ)

SERIES	LINE	BODY	ENGINE	TRANSMISSION
H = Laredo	T = JEEP - 2WD	74 = SPORT UTILITY 4-DR	ERH = ENGINE - 4.0L POWER TECH I-6	DGK = TRANSMISSION - 4-SPD. AUTOMATIC, 42RE
P = Limited	J = JEEP - 4WD		EVA = ENGINE- 4.7L V8 MPI	DGQ = TRANSMISSION-5SPD AUTOMATIC 5-45RFE DGO = ALL AUTOMATIC TRANSMISSIONS

AR = use ase required - = Non illustrated part

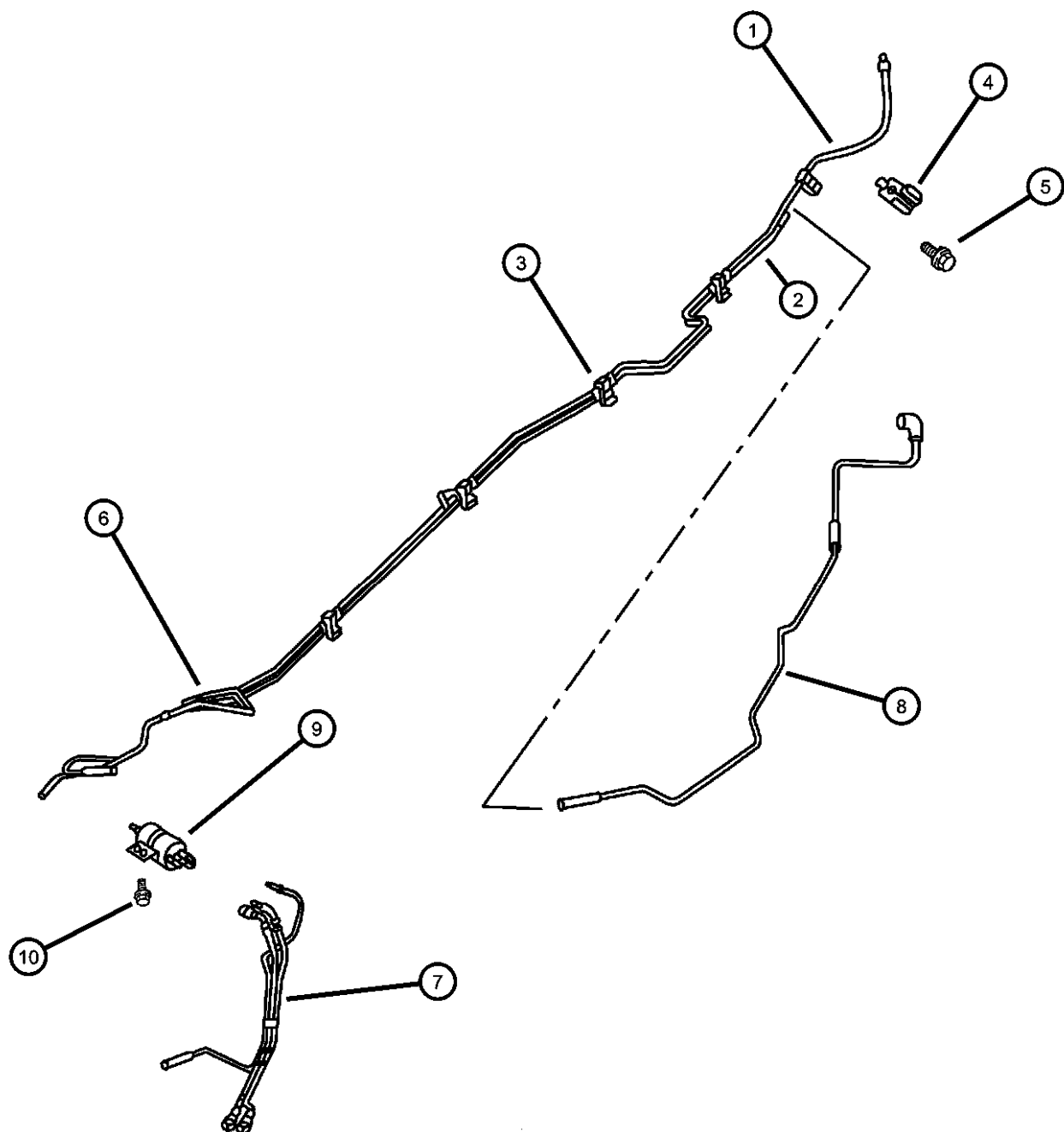
2001 WJ

Fuel Lines, Rear, 4.7 (EVA)
Figure 14-340

ITEM	PART NUMBER	QTY	LINE	SERIES	BODY	ENGINE	TRANS	TRIM	DESCRIPTION
------	-------------	-----	------	--------	------	--------	-------	------	-------------

NOTE:
ER0=All 4.0L Engines
EV0= All 4.7L Engines

1	52100249AD	1				ER0, EV0			TUBE, Fuel Supply
2	52100253AD	1				ER0, EV0			TUBE, Fuel Vapor
3	04695819	6				ER0, EV0			CLIP, Fuel Bundle
4	34202997	1				ER0, EV0			CLIP, Wrap Around Sealing
5	06102132AA	1							SCREW, Hex Head, M6x1x20
6	00120526	1				ER0, EV0			CLIP, Fuel
7	52100196AE	1							TUBE, Fuel
8	52100049AB	1				ER0, EV0			TUBE, Fuel Vapor
9	52100283AC	1				ER0, EV0			FILTER AND REGULATOR, Fuel
10	06102132AA	2							SCREW, Hex Head, M6x1x20



GRAND CHEROKEE (WJ)

SERIES LINE
H = Laredo T = JEEP - 2WD
P = Limited J = JEEP - 4WD

BODY
74 = SPORT UTILITY 4-DR

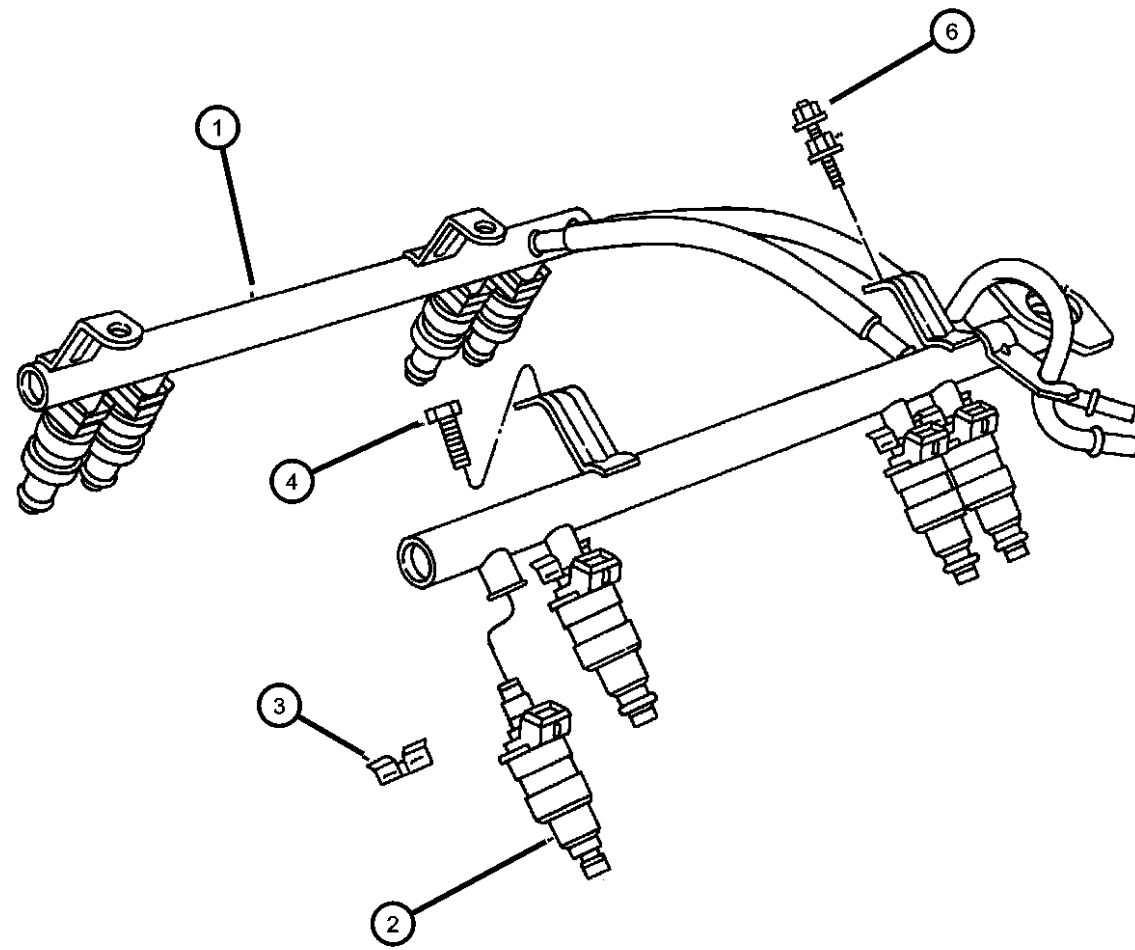
ENGINE
ERH = ENGINE - 4.0L
POWER TECH I-6
EVA = ENGINE- 4.7L V8 MPI

TRANSMISSION
DGK = TRANSMISSION - 4-SPD.
AUTOMATIC, 42RE
DGQ = TRANSMISSION-5SPD
AUTOMATIC 5-45RFE
DGO = ALL AUTOMATIC
TRANSMISSIONS

AR = use ase required - = Non illustrated part

2001 WJ

Fuel Rail, 4.0 (ERH), 4.7 (EVA)
Figure 14-410



ITEM	PART NUMBER	QTY	LINE	SERIES	BODY	ENGINE	TRANS	TRIM	DESCRIPTION
NOTE: ER0=All 4.0L Engines EV0=All 4.7L Engines									
1									RAIL, Fuel
	05014496AA	1				ER0			
	53030848AB	1				EV0			
2									INJECTOR, Fuel
	04854181	6				ER0			
	53032145AA	8				EV0			
3									CLIP, Fuel Injector
	04418257	6				ER0			
		8				EV0			
4	06501979	2				ER0			SCREW AND WASHER, Hex Head, M6x1x17
-5	06505504AA	4				EV0			SCREW
6	06502647	2				ER0			STUD, M6x1.00x44
-7									CAP
	05018781AA	1				EV0			Diagnostic Port
		1				ER0			Diagnostic Port
-8	04897125AA	6				ER0			O RING KIT, Fuel Injector

GRAND CHEROKEE (WJ)

SERIES LINE
H = Laredo T = JEEP - 2WD
P = Limited J = JEEP - 4WD

BODY
74 = SPORT UTILITY 4-DR

ENGINE
ERH = ENGINE - 4.0L
POWER TECH I-6
EVA = ENGINE- 4.7L V8 MPI

TRANSMISSION
DGK = TRANSMISSION - 4-SPD.
AUTOMATIC, 42RE
DGQ = TRANSMISSION-5SPD
AUTOMATIC 5-45RFE
DGO = ALL AUTOMATIC
TRANSMISSIONS

AR = use ase required - = Non illustrated part

2001 WJ

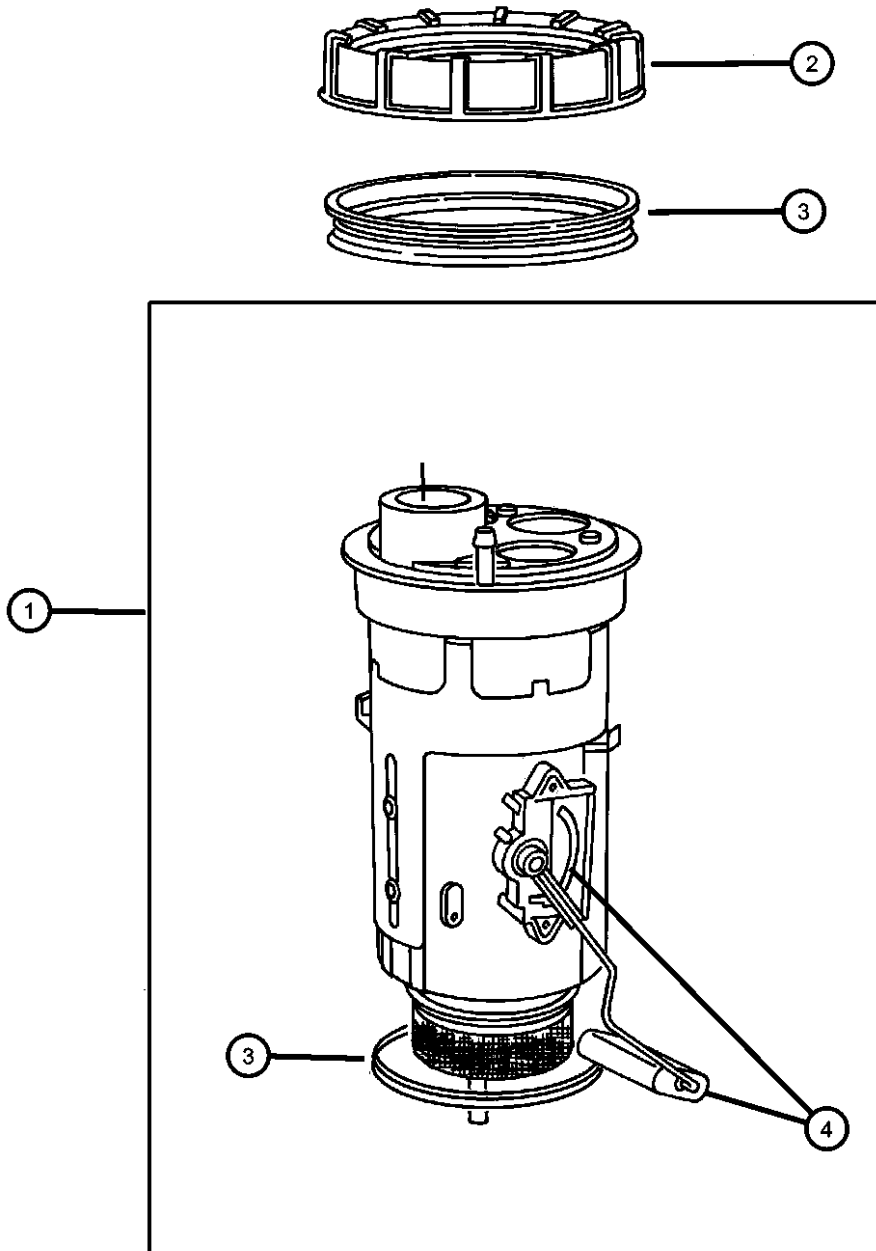
Fuel Pump and Sending Unit, 4.0 (ERH), 4.7 (EVA)
Figure 14-510

ITEM	PART NUMBER	QTY	LINE	SERIES	BODY	ENGINE	TRANS	TRIM	DESCRIPTION
------	-------------	-----	------	--------	------	--------	-------	------	-------------

NOTE:
ER0=All 4.0L Engines
EV0=4.7L Engines

1	05018056AB	1							
2	52005389	1							
3	52018808	1							
4	05018057AA	1							

MODULE PACKAGE, Fuel Pump/Level Unit
NUT, Fuel Pump Module
SEAL, Fuel Pump and Level Unit
LEVEL UNIT PACKAGE, Fuel



GRAND CHEROKEE (WJ)

SERIES LINE
H = Laredo T = JEEP - 2WD
P = Limited J = JEEP - 4WD

BODY
74 = SPORT UTILITY 4-DR

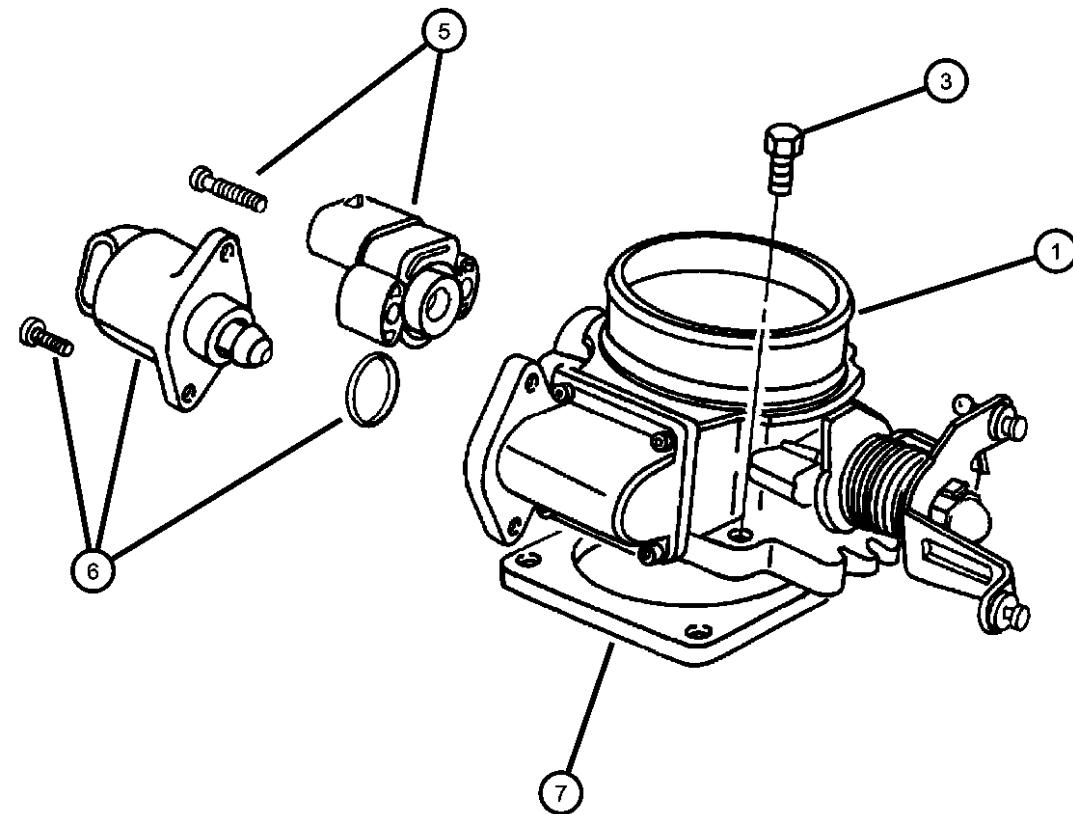
ENGINE
ERH = ENGINE - 4.0L
POWER TECH I-6
EVA = ENGINE- 4.7L V8 MPI

TRANSMISSION
DGK = TRANSMISSION - 4-SPD.
AUTOMATIC, 42RE
DGQ = TRANSMISSION-5SPD
AUTOMATIC 5-45RFE
DGO = ALL AUTOMATIC
TRANSMISSIONS

AR = use ase required - = Non illustrated part

2001 WJ

**Throttle Body, 4.0 (ERH), 4.7 (EVA)
Figure 14-610**



ITEM	PART NUMBER	QTY	LINE	SERIES	BODY	ENGINE	TRANS	TRIM	DESCRIPTION
NOTE: ER0=All 4.0L Engines EV0=All 4.7L Engines, EVA= 4.7L Engine									
1									THROTTLE BODY
	53013163AA	1				EV0			
	53032023AC	1				ER0			
-2	83503642	1				EV0			O RING, Throttle Body
3	06503929	4				ER0			SCREW AND WASHER, Coned Pilot, M6x1x30
-4	06503929	4							SCREW, M6x1x40, (NOT SERVICED)
5									SENSOR, Throttle Position
	04874371AC	1				ER0			
	04882219	1				EV0			
6									MOTOR, Air Idle Speed
	04874373AB	1				ER0			
	53030840	1				EV0			
7	53007543	1				ER0			GASKET, Throttle Body
-8	53030952	1				EVA			GASKET, Throttle Body To Intake

GRAND CHEROKEE (WJ)

SERIES LINE
H = Laredo T = JEEP - 2WD
P = Limited J = JEEP - 4WD

BODY
74 = SPORT UTILITY 4-DR

ENGINE
ERH = ENGINE - 4.0L
POWER TECH I-6
EVA = ENGINE- 4.7L V8 MPI

TRANSMISSION
DGK = TRANSMISSION - 4-SPD.
AUTOMATIC, 42RE
DGQ = TRANSMISSION-5SPD
AUTOMATIC 5-45RFE
DGO = ALL AUTOMATIC
TRANSMISSIONS

AR = use ase required - = Non illustrated part

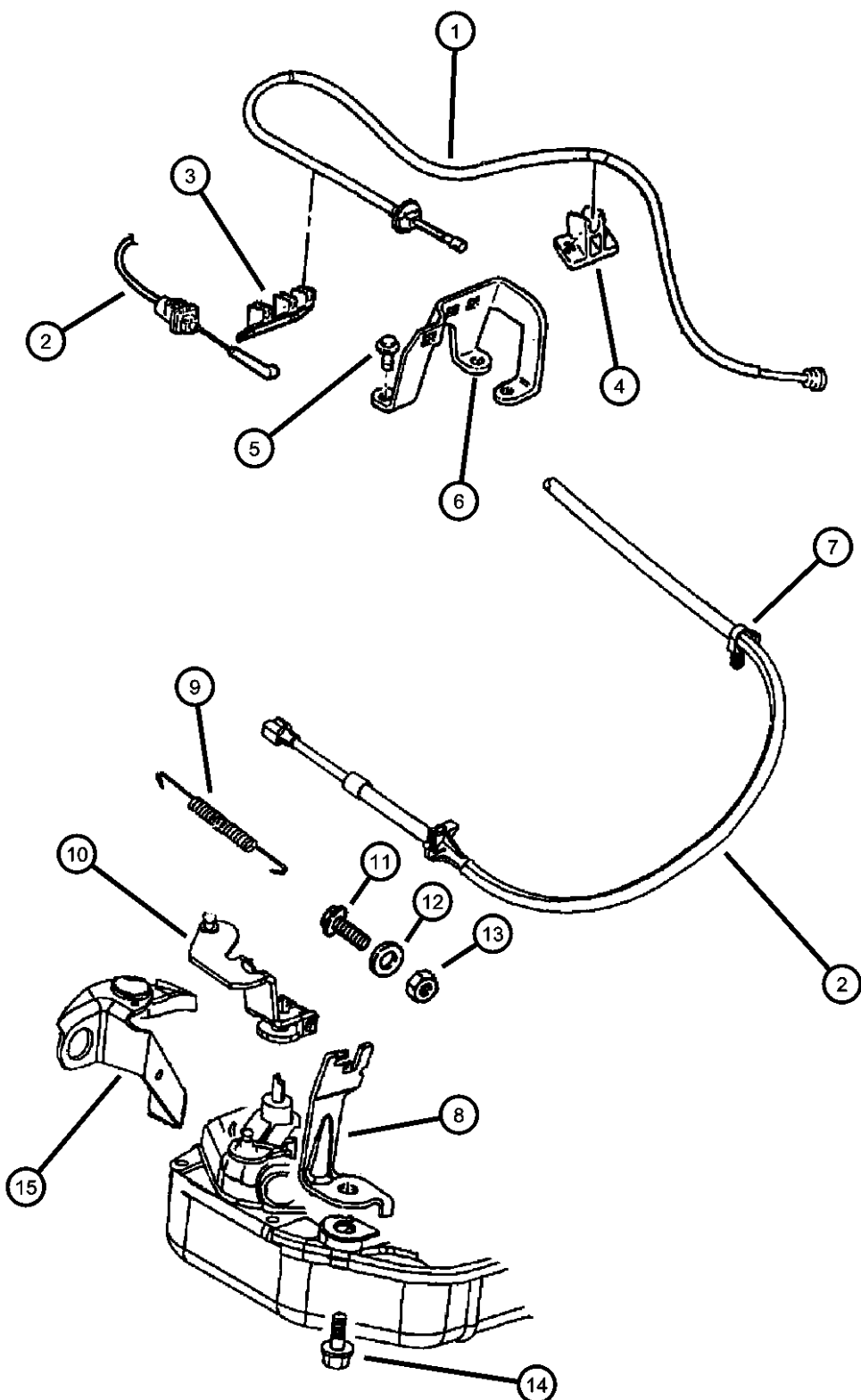
2001 WJ

Throttle Controls, 4.0 (ERH)
Figure 14-710

ITEM	PART NUMBER	QTY	LINE	SERIES	BODY	ENGINE	TRANS	TRIM	DESCRIPTION
------	-------------	-----	------	--------	------	--------	-------	------	-------------

NOTE:
ER0=All 4.0L Engines
DGK=42 RE 4 Speed Transmission

1	04854150AB	1				ER0			CABLE, Accelerator
2	52104284AA	1					DGK		CABLE, Throttle Valve
3	52079029	1				ER0			GUIDE, Accelerator Cable
4	52078987	1				ER0			GUIDE, Accelerator Cable
5	06501979	2				ER0			SCREW AND WASHER, Hex Head, M6x1x17
6	53013160AA	1				ER0			BRACKET, Accelerator Cable
7	J4005701	1	J						CLIP
8	52078867	1				ER0			BRACKET, Cable
9	53009055	1					DGK		SPRING, Throttle Valve Return
10	52078723AB	1				ER0			LEVER, Throttle Valve
11	00181065	1				ER0			BOLT, Hex Head, .25-20x1.00
12	00138165	1				ER0			WASHER, Lock
13	J0120375	1				ER0			NUT, Hex, .250-20
14	00181112	1					DGK		SCREW AND WASHER, .375-16x1.00
15	52104057	1					DGK		BRACKET, Shift Cable



GRAND CHEROKEE (WJ)

SERIES LINE
H = Laredo T = JEEP - 2WD
P = Limited J = JEEP - 4WD

BODY
74 = SPORT UTILITY 4-DR

ENGINE
ERH = ENGINE - 4.0L
POWER TECH I-6
EVA = ENGINE- 4.7L V8 MPI

TRANSMISSION
DGK = TRANSMISSION - 4-SPD.
AUTOMATIC, 42RE
DGQ = TRANSMISSION-5SPD
AUTOMATIC 5-45RFE
DGO = ALL AUTOMATIC
TRANSMISSIONS

AR = use ase required - = Non illustrated part

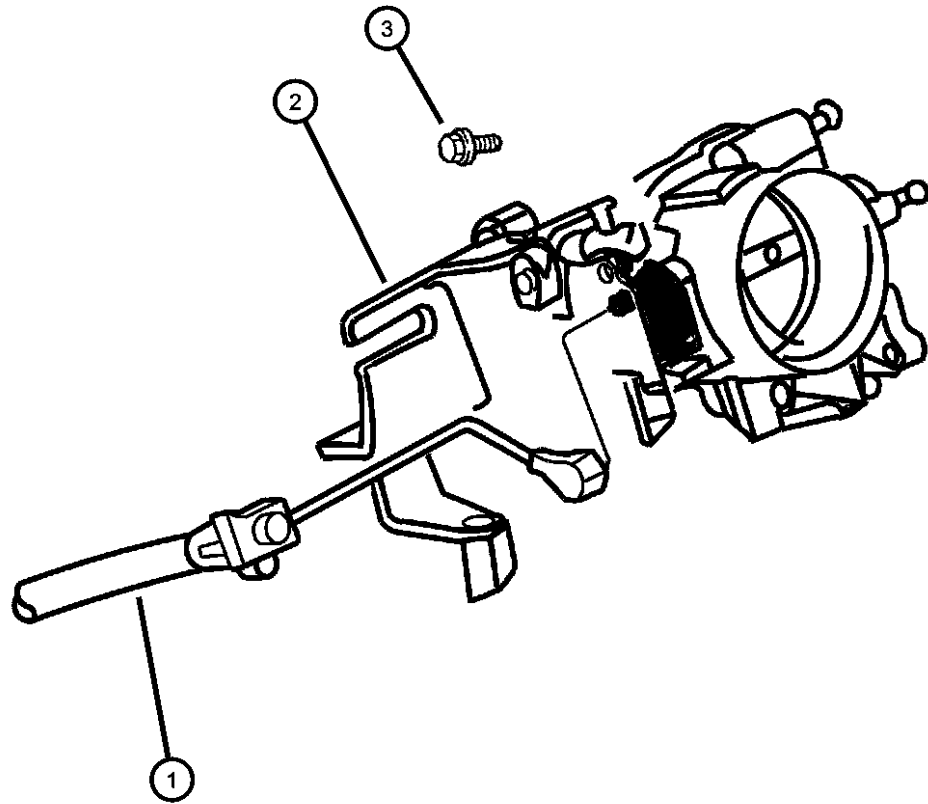
2001 WJ

Throttle Controls, 4.7 (EVA)
Figure 14-720

ITEM	PART NUMBER	QTY	LINE	SERIES	BODY	ENGINE	TRANS	TRIM	DESCRIPTION
------	-------------	-----	------	--------	------	--------	-------	------	-------------

NOTE:
EVA=Next Generation 4.7L Magnum V8
EV0= All 4.7L Engines

1	04854061AD	1				EV0			CABLE, Accelerator
2	53031683AA	1				EVA			BRACKET, Accelerator Cable
3	53031683AA	1							SCREW, M6X1.00X16.00, (NOT SERVICED)



GRAND CHEROKEE (WJ)

SERIES	LINE	BODY	ENGINE	TRANSMISSION
H = Laredo	T = JEEP - 2WD	74 = SPORT UTILITY 4-DR	ERH = ENGINE - 4.0L POWER TECH I-6	DGK = TRANSMISSION - 4-SPD. AUTOMATIC, 42RE
P = Limited	J = JEEP - 4WD		EVA = ENGINE- 4.7L V8 MPI	DGQ = TRANSMISSION-5SPD AUTOMATIC 5-45RFE DGO = ALL AUTOMATIC TRANSMISSIONS

AR = use ase required - = Non illustrated part

2001 WJ

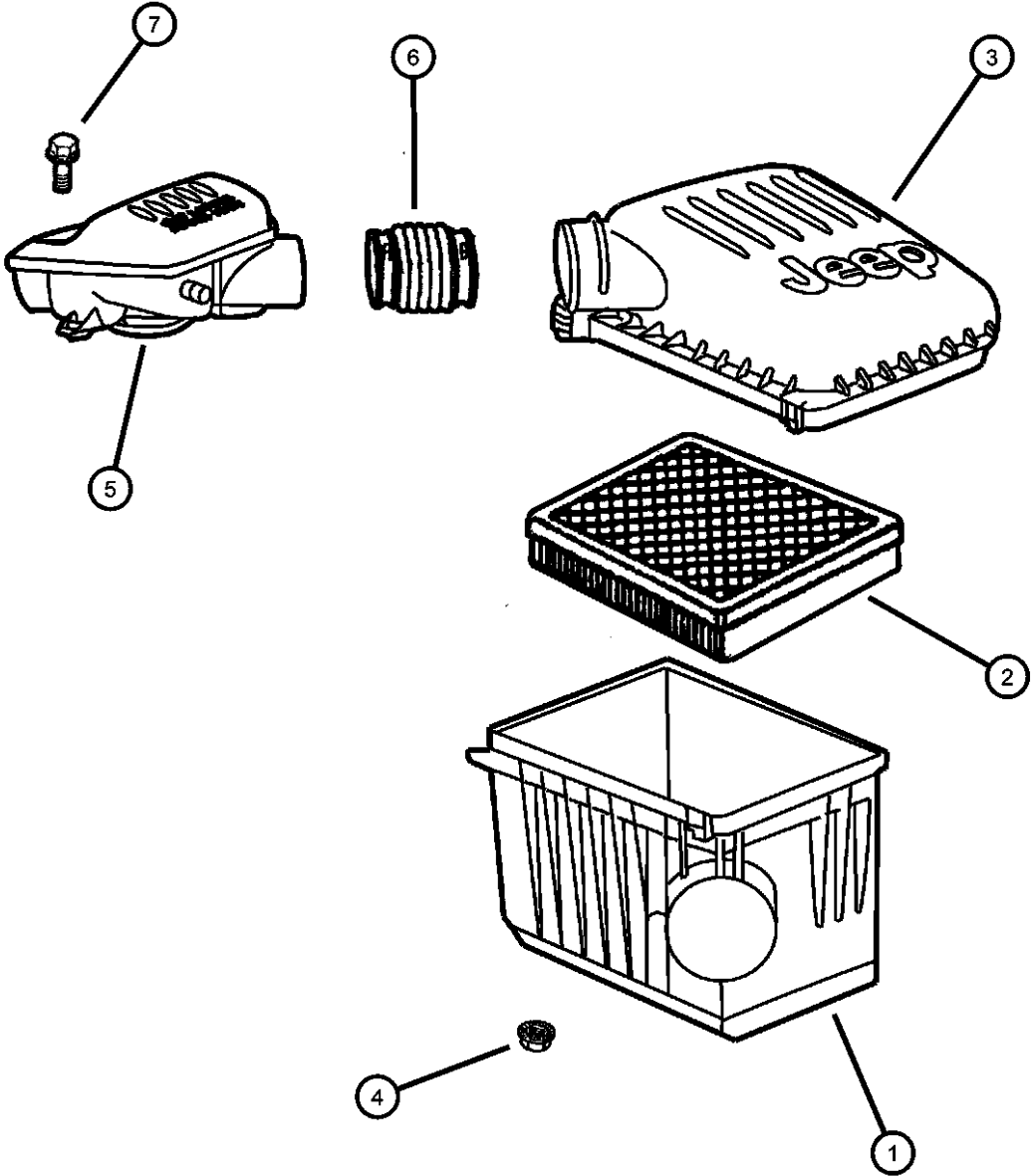
Air Cleaner, 4.0 (ERH)

Figure 14-810

ITEM	PART NUMBER	QTY	LINE	SERIES	BODY	ENGINE	TRANS	TRIM	DESCRIPTION
------	-------------	-----	------	--------	------	--------	-------	------	-------------

Note:
 ER0 = All 4.0L 6 Cyl Gas Engines
 EV0 = All 4.7L Gas Engines

1	05013462AA	1				ER0			BODY, Air Cleaner
2	53007386 P4510475	1				ER0			FILTER, Air Performance Air Filter, WJ, 1999-2002, 4.7L
3	05013461AA	1				ER0			COVER, Air Cleaner
4	05013461AA	1							NUT, M8x1.25, (NOT SERVICED)
5	04854013	1				ER0			RESONATOR, Air Cleaner
6	04854014	1				ER0			HOSE, Air Cleaner
7	06101769	2				EV0			SCREW, Hex Head, M6x1x35



GRAND CHEROKEE (WJ)

SERIES	LINE	BODY	ENGINE	TRANSMISSION
H = Laredo	T = JEEP - 2WD	74 = SPORT UTILITY 4-DR	ERH = ENGINE - 4.0L POWER TECH I-6	DGK = TRANSMISSION - 4-SPD. AUTOMATIC, 42RE
P = Limited	J = JEEP - 4WD		EVA = ENGINE- 4.7L V8 MPI	DGQ = TRANSMISSION-5SPD AUTOMATIC 5-45RFE DGO = ALL AUTOMATIC TRANSMISSIONS

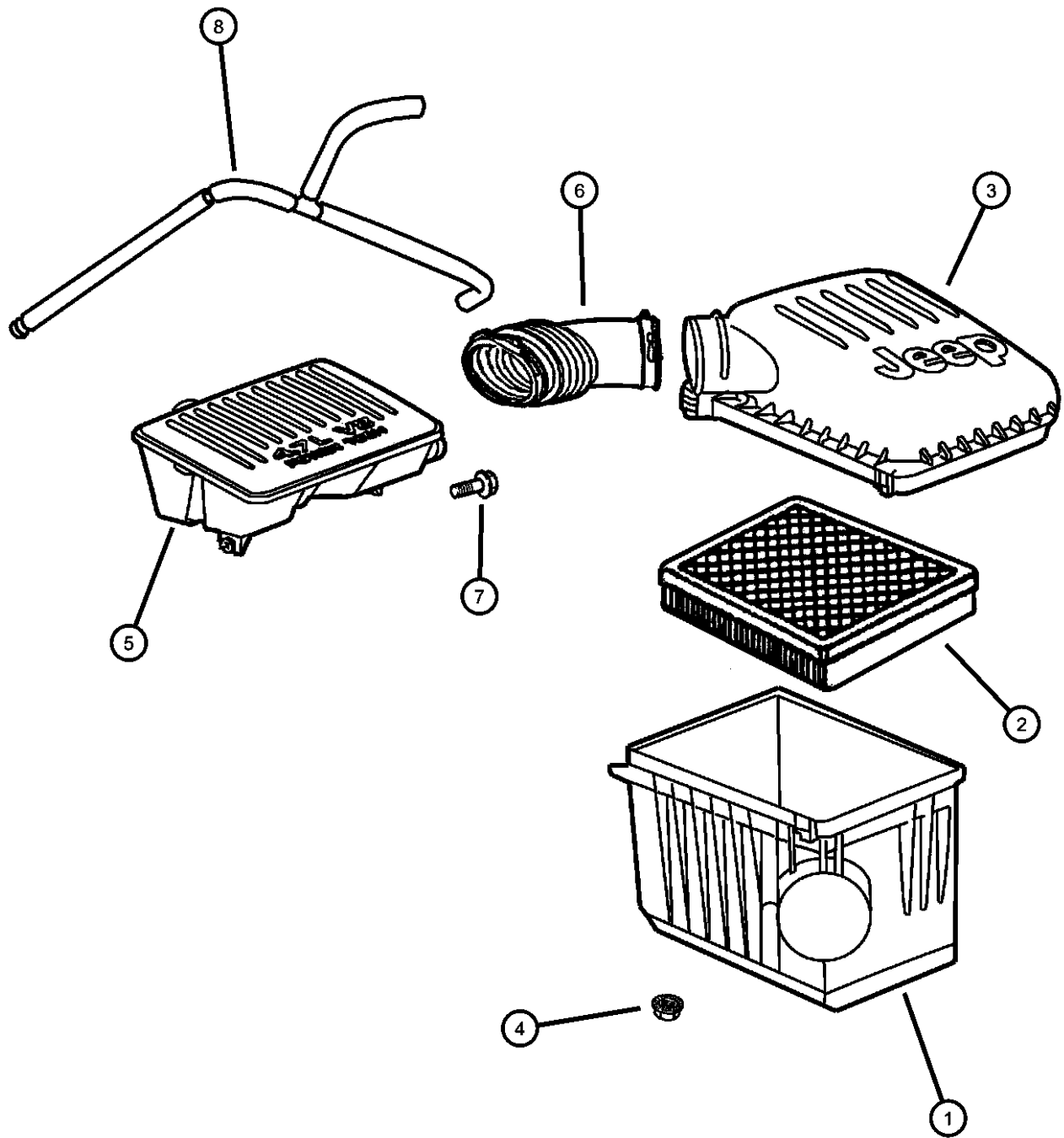
AR = use ase required - = Non illustrated part

**Air Cleaner, 4.7 (EVA)
Figure 14-820**

ITEM	PART NUMBER	QTY	LINE	SERIES	BODY	ENGINE	TRANS	TRIM	DESCRIPTION
------	-------------	-----	------	--------	------	--------	-------	------	-------------

NOTE:
EVA=Next Generation 4.7L Magnum V8
EV0= All 4.7L Engines

1	05013462AA	1				EVA			BODY, Air Cleaner
2	53007386 P4510475	1				EVA			FILTER, Air Performance Air Filter, WJ, 1999-2002, 4.7L
3	05013461AA	1				EVA			COVER, Air Cleaner
4	05013461AA	1							NUT, M8x1.25, (NOT SERVICED)
5	04854011	1				EVA			RESONATOR, Air Cleaner
6	04854012	1				EVA			DUCT, Air Cleaner
7	06101769	2				EV0			SCREW, Hex Head, M6x1x35
8	53031667AA	1				EV0			TUBE, Breather



GRAND CHEROKEE (WJ)

SERIES	LINE	BODY	ENGINE	TRANSMISSION
H = Laredo	T = JEEP - 2WD	74 = SPORT UTILITY 4-DR	ERH = ENGINE - 4.0L POWER TECH I-6	DGK = TRANSMISSION - 4-SPD. AUTOMATIC, 42RE
P = Limited	J = JEEP - 4WD		EVA = ENGINE- 4.7L V8 MPI	DGQ = TRANSMISSION-5SPD AUTOMATIC 5-45RFE DGO = ALL AUTOMATIC TRANSMISSIONS

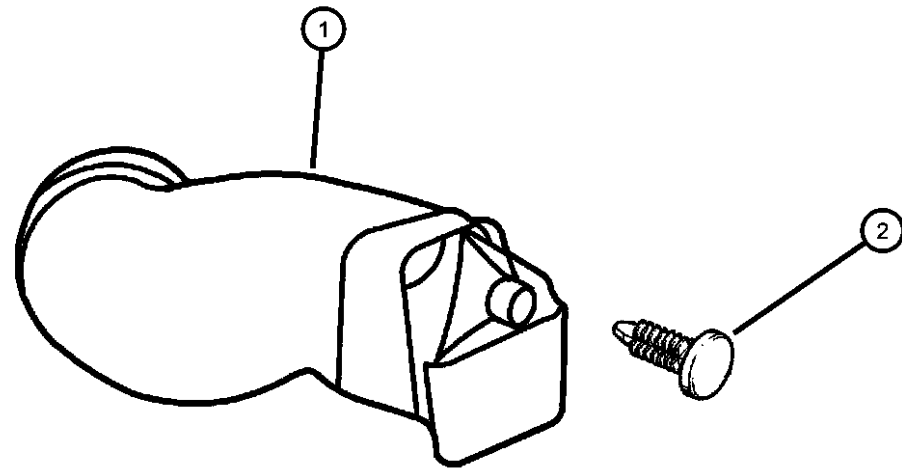
AR = use ase required - = Non illustrated part

**Air Intake System
Figure 14-910**

ITEM	PART NUMBER	QTY	LINE	SERIES	BODY	ENGINE	TRANS	TRIM	DESCRIPTION
------	-------------	-----	------	--------	------	--------	-------	------	-------------

NOTE:
ER0=All 4.0L Engines
EVA= 4.7L Power Tech V-8 Engine

1	53013345AA	1				ER0, EVA			DUCT, Ambient Air
2	53013345AA	1							PIN, Retainer, (NOT SERVICED)



GRAND CHEROKEE (WJ)

SERIES	LINE
H = Laredo	T = JEEP - 2WD
P = Limited	J = JEEP - 4WD

BODY
74 = SPORT UTILITY 4-DR

ENGINE
ERH = ENGINE - 4.0L POWER TECH I-6
EVA = ENGINE- 4.7L V8 MPI

TRANSMISSION
DGK = TRANSMISSION - 4-SPD. AUTOMATIC,42RE
DGQ = TRANSMISSION-5SPD AUTOMATIC 5-45RFE
DGO = ALL AUTOMATIC TRANSMISSIONS

AR = use ase required - = Non illustrated part

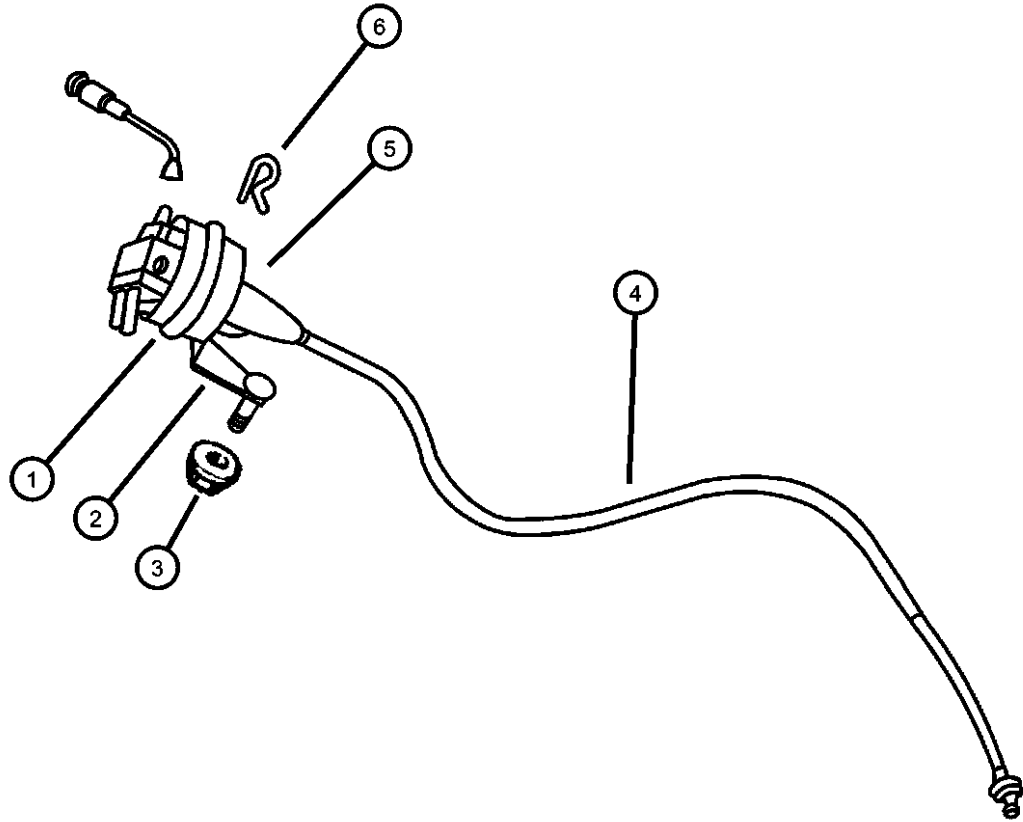
2001 WJ

**Speed Control, 4.0 (ERH), 4.7 (EVA)
Figure 14-1010**

ITEM	PART NUMBER	QTY	LINE	SERIES	BODY	ENGINE	TRANS	TRIM	DESCRIPTION
------	-------------	-----	------	--------	------	--------	-------	------	-------------

NOTE:
ER0=All 4.0L Engines
EVA=Next Generation 4.7L Magnum V8
EV0= All 4.7L Engines

1									SERVO, Speed Control, Vacuum harness is part of hevac a/c harness
	04669979	1				ER0			
		1				EV0			
2									BRACKET, Cruise Control Servo
	04854057AE	1				EV0			
		1				ER0			
3	06101820	2				ER0, EV0			NUT, Hex Flange Lock
4									CABLE, Speed Control
	04854055AB	1				EV0			
	04854058	1				ER0			
5									NUT, Hex Flange Serration, M6x1
	06502493	2				ER0			
		2				EV0			
6									CLIP, Cable to Servo Attach
	06025867	1				ER0			
		1				EV0			



GRAND CHEROKEE (WJ)

SERIES	LINE
H = Laredo	T = JEEP - 2WD
P = Limited	J = JEEP - 4WD

BODY
74 = SPORT UTILITY 4-DR

ENGINE
ERH = ENGINE - 4.0L POWER TECH I-6
EVA = ENGINE- 4.7L V8 MPI

TRANSMISSION
DGK = TRANSMISSION - 4-SPD. AUTOMATIC, 42RE
DGQ = TRANSMISSION-5SPD AUTOMATIC 5-45RFE
DGO = ALL AUTOMATIC TRANSMISSIONS

AR = use ase required - = Non illustrated part

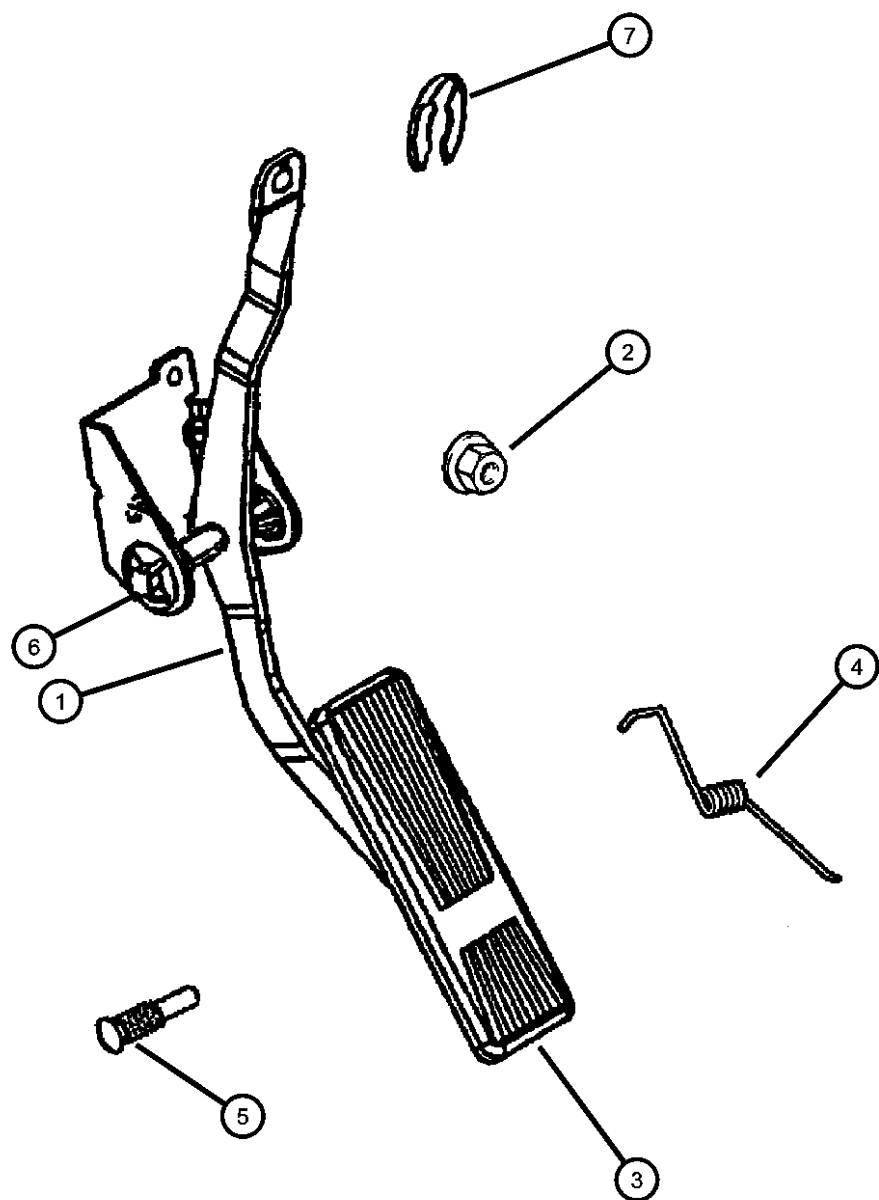
2001 WJ

**Accelerator Pedal, 4.0 (ERH), 4.7 (EVA)
Figure 14-1110**

ITEM	PART NUMBER	QTY	LINE	SERIES	BODY	ENGINE	TRANS	TRIM	DESCRIPTION
------	-------------	-----	------	--------	------	--------	-------	------	-------------

Note:
ER0 = All 4.0L 6 Cyl Gas Engines
EVO = All 4.7L Gas Engines

1	04854130AB	1				ER0, EVO			PEDAL, Accelerator
2	34201680	2							NUT, Hex Flange, M6x1
3	53003932AB	1				ER0, EVO			PAD, Accelerator Pedal
4	52078168	1				ER0, EVO			SPRING, Accelerator Pedal Return
5	J3220231	1				ER0, EVO			PIN, Accelerator Pedal Mtg.
6	52078653	2				ER0, EVO			BUSHING, Accelerator Pedal
7	05214613	1							CLIP, Cable



GRAND CHEROKEE (WJ)

SERIES	LINE
H = Laredo	T = JEEP - 2WD
P = Limited	J = JEEP - 4WD

BODY
74 = SPORT UTILITY 4-DR

ENGINE
ERH = ENGINE - 4.0L POWER TECH I-6
EVA = ENGINE- 4.7L V8 MPI

TRANSMISSION
DGK = TRANSMISSION - 4-SPD. AUTOMATIC, 42RE
DGQ = TRANSMISSION-5SPD AUTOMATIC 5-45RFE
DGO = ALL AUTOMATIC TRANSMISSIONS

AR = use ase required - = Non illustrated part

2001 WJ

Group - 16

Propeller Shafts and U-Joints

Group - 16 Propeller Shafts and U-Joints

Group-Fig. No.

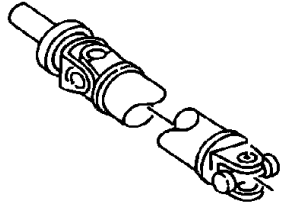
Illustration Title

Propeller Shaft

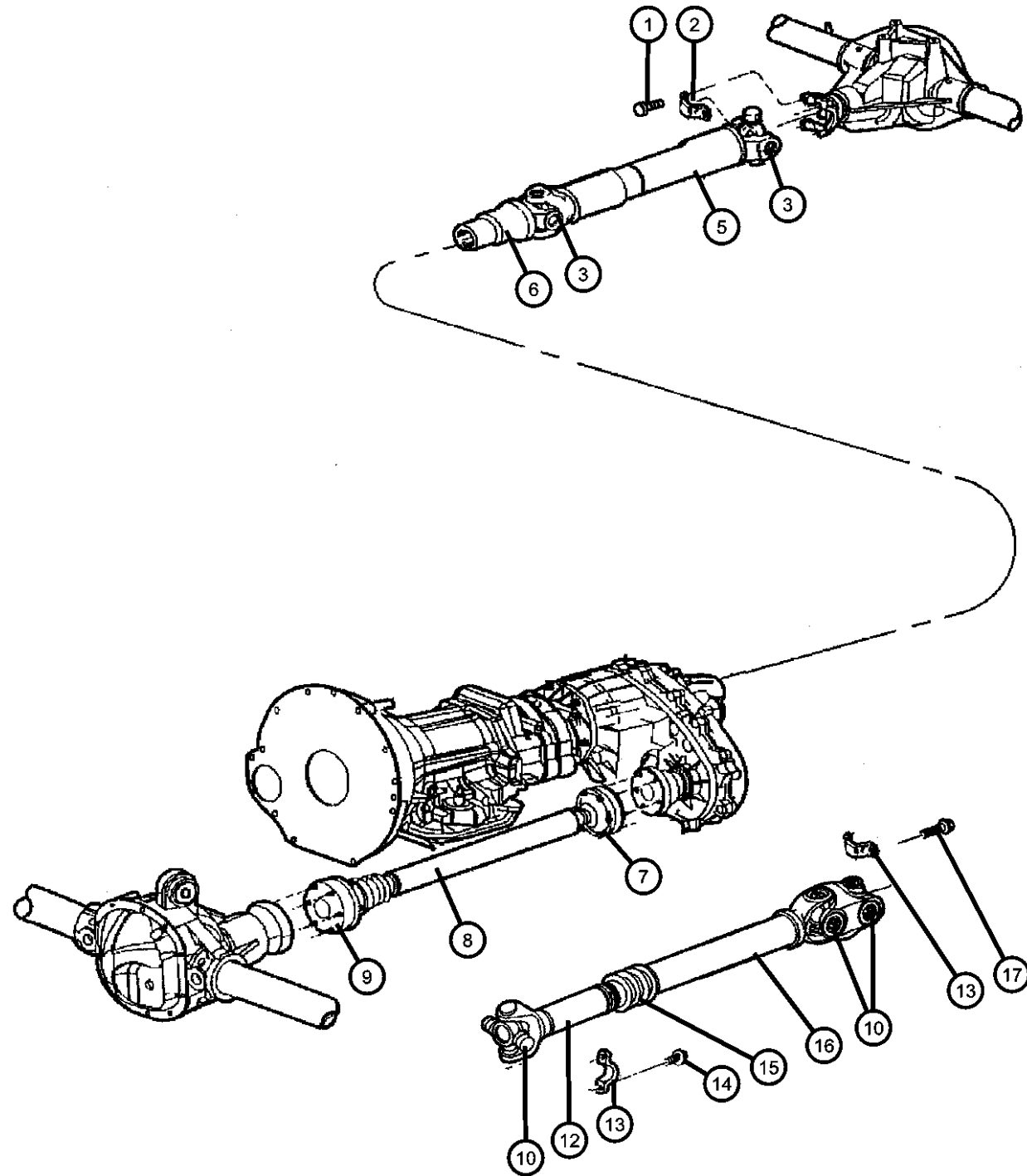
Propeller Shafts, Front and Rear Fig. 16 - 110

016-100

Propeller Shaft



Propeller Shafts,Front and Rear
Figure 16-110



ITEM	PART NUMBER	QTY	LINE	SERIES	BODY	ENGINE	TRANS	TRIM	DESCRIPTION
------	-------------	-----	------	--------	------	--------	-------	------	-------------

Note:Sales Codes:

Note: Item 7, 05015109AA and item 9, 5015996AA that one part number consists of 2 Bolts and 1 Strap

[DHF]=Quadra-Trac II On Demand System

[DHP]=Selec-Trac Full Time 4WD System

[DRK]=Axle - Rear,Dana 44/226MM

[DRM]=Axle - Rear,Dana 35C/194MM

[ER0]=Engines - All 4.0L 6 Cylinder Gas

[EV0]=Engines - All 4.7L Gas10

1	J4006928	4				ER0, EV0			BOLT
2	J3240553	2				ER0, EV0			STRAP, Prop Shaft
3									U-JOINT
	04882793	2	J			ER0			[DRK], Front or Rear
		2	T			ER0			Up To and Including 02-14-01 and After 04-24-01, Front or Rear
		2	J			ER0			[DHF,DRM], Front or Rear
		2	J			EV0			[DHF], Front or Rear
		2	J			ER0			[DHP], Front or Rear
		1	T			EV0			Up To and Including 02-14-01 and After 04-24-01, Rear
	05014062AA	1	T			EV0			Up To and Including 02-14-01 and After 04-24-01, Front
	05014733AA	1	J			EV0			[DHP], Front
	05015694AA	1	J			EV0			[DHP], Rear
		2	T			ER0			For Vehicles Built Between 02-15-01 and 04-23-01, Front or Rear
-4									RING, U Joint
	J3207886	4	J			ER0			Front or Rear
		4	J			EV0			Front or Rear
		4	T			ER0			Front or Rear
5									SHAFT, Drive, Rear 1-Piece
	52099484AD	1	T			ER0			Up To and Including 02-14-01 and After 04-24-01
	52099485AF	1	J			ER0			[DHF,DRM]
	52099486AC	1	T			EV0			Up To and Including 02-14-01 and After 04-24-01
	52099487AD	1	J			EV0			[DHF]
	52105530AD	1	J			ER0			[DHP]
	52105972AA	1	T			ER0			For Vehicles Built Between 02-15-01 and 04-23-01

GRAND CHEROKEE (WJ)

SERIES LINE
H = Laredo T = JEEP - 2WD
P = Limited J = JEEP - 4WD

BODY
74 = SPORT UTILITY 4-DR

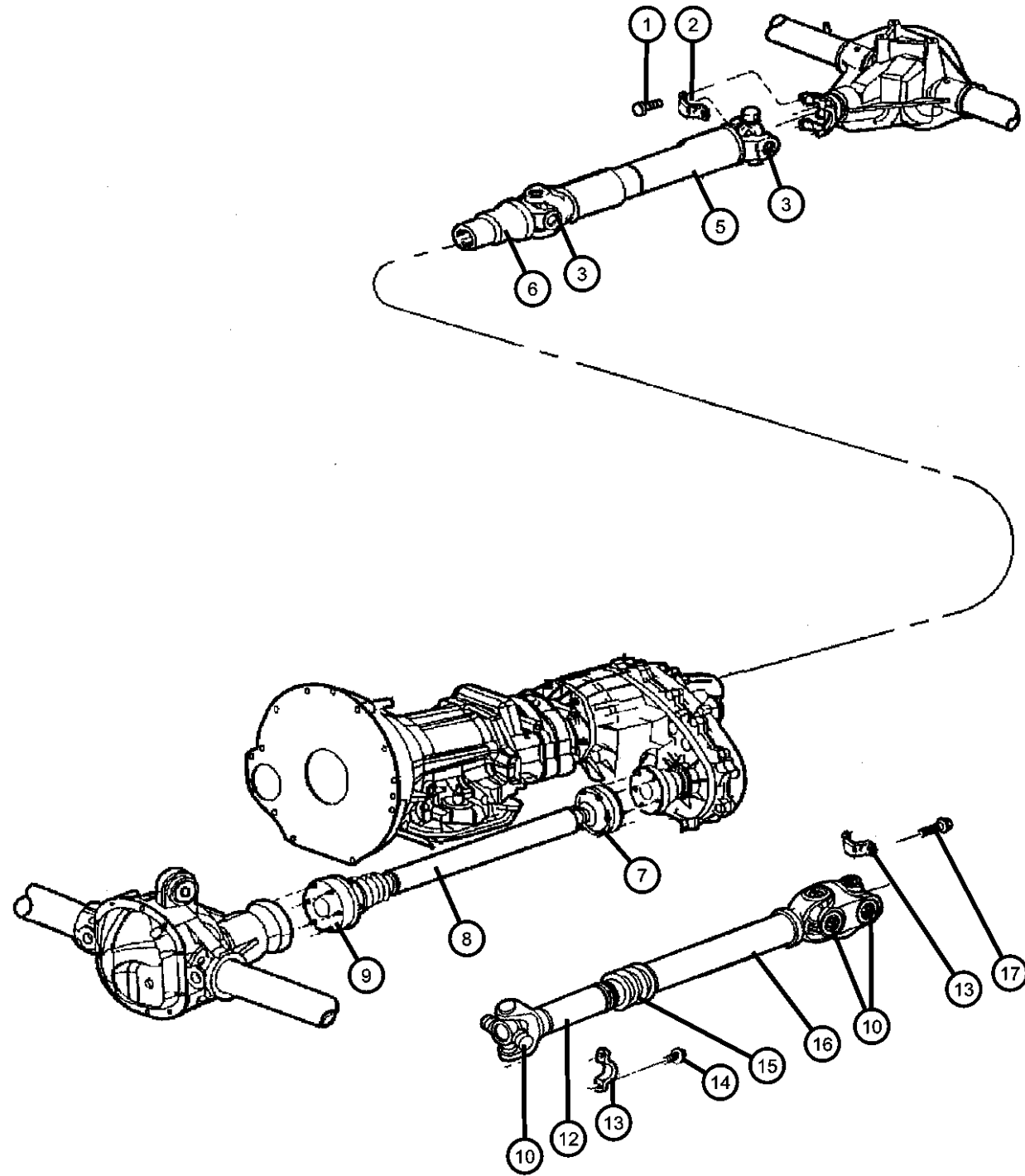
ENGINE
ERH = ENGINE - 4.0L
POWER TECH I-6
EVA = ENGINE- 4.7L V8 MPI

TRANSMISSION
DGK = TRANSMISSION - 4-SPD.
AUTOMATIC,42RE
DGQ = TRANSMISSION-5SPD
AUTOMATIC 5-45RFE
DGO = ALL AUTOMATIC
TRANSMISSIONS

AR = use ase required - = Non illustrated part

2001 WJ

Propeller Shafts, Front and Rear
Figure 16-110



ITEM	PART NUMBER	QTY	LINE	SERIES	BODY	ENGINE	TRANS	TRIM	DESCRIPTION
	52105973AA	1	T			EVO			For Vehicles Built Between 02-15-01 and 04-23-01-No Component Parts Available [DRK]
	52111483AC	1	J			ER0			[DHP]
	52111490AB	1	J			EVO			[DHF,DRM]
6									YOKE, Drive Shaft
	05017202AA	1	T			ER0			Up To and Including 02-14-01 and After 04-24-01 [DHP]
	05018773AA	1	J			EVO			Up To and Including 02-14-01 and After 04-24-01 [DHF]
	05018986AA	1	T			EVO			[DRK]
	05073608AA	1	J			EVO			[DHP]
		1	J			ER0			[DRK]
		1	J			ER0			[DHP]
	05080893AA	1	J			ER0			For Vehicles Built Between 02-15-01 and 04-23-01
	05083257AA	1	T			ER0			BOLT AND WASHER
7	05015109AA	3	J			ER0			SHAFT, Drive, Front
8									Up To and Including 12-12-00
	52099497AD	1	J			ER0			12-13-00 and After
	52105884AA	1	J			ER0			BOLT AND WASHER
9	05015996AA	3	J			ER0			U-JOINT Front or Rear
10	04882793	3	J			EVO			RING, U Joint Front or Rear
-11	J3207886	4	J			EVO			YOKE, Drive Shaft
12	05016375AA	1	J			EVO			STRAP, Prop Shaft
13	J3240553	2				ER0, EVO			BOLT
14	J4006928	4	J			EVO			BOOT, Driveshaft
15	05012793AA	1	J			EVO			SHAFT, Drive, Front
16	05019616AA	1	J			EVO			BOLT
17	06036415AA	4	J			EVO			

GRAND CHEROKEE (WJ)

SERIES LINE
H = Laredo T = JEEP - 2WD
P = Limited J = JEEP - 4WD

BODY
74 = SPORT UTILITY 4-DR

ENGINE
ERH = ENGINE - 4.0L
POWER TECH I-6
EVA = ENGINE- 4.7L V8 MPI

TRANSMISSION
DGK = TRANSMISSION - 4-SPD.
AUTOMATIC, 42RE
DGQ = TRANSMISSION-5SPD
AUTOMATIC 5-45RFE
DGO = ALL AUTOMATIC
TRANSMISSIONS

AR = use ase required - = Non illustrated part

2001 WJ

Group - 17

Rear Suspension

Group - 17 Rear Suspension

Group-Fig. No.

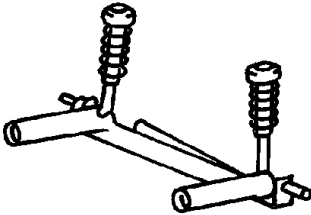
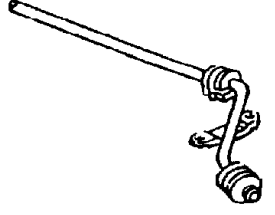
Illustration Title

Rear Suspension

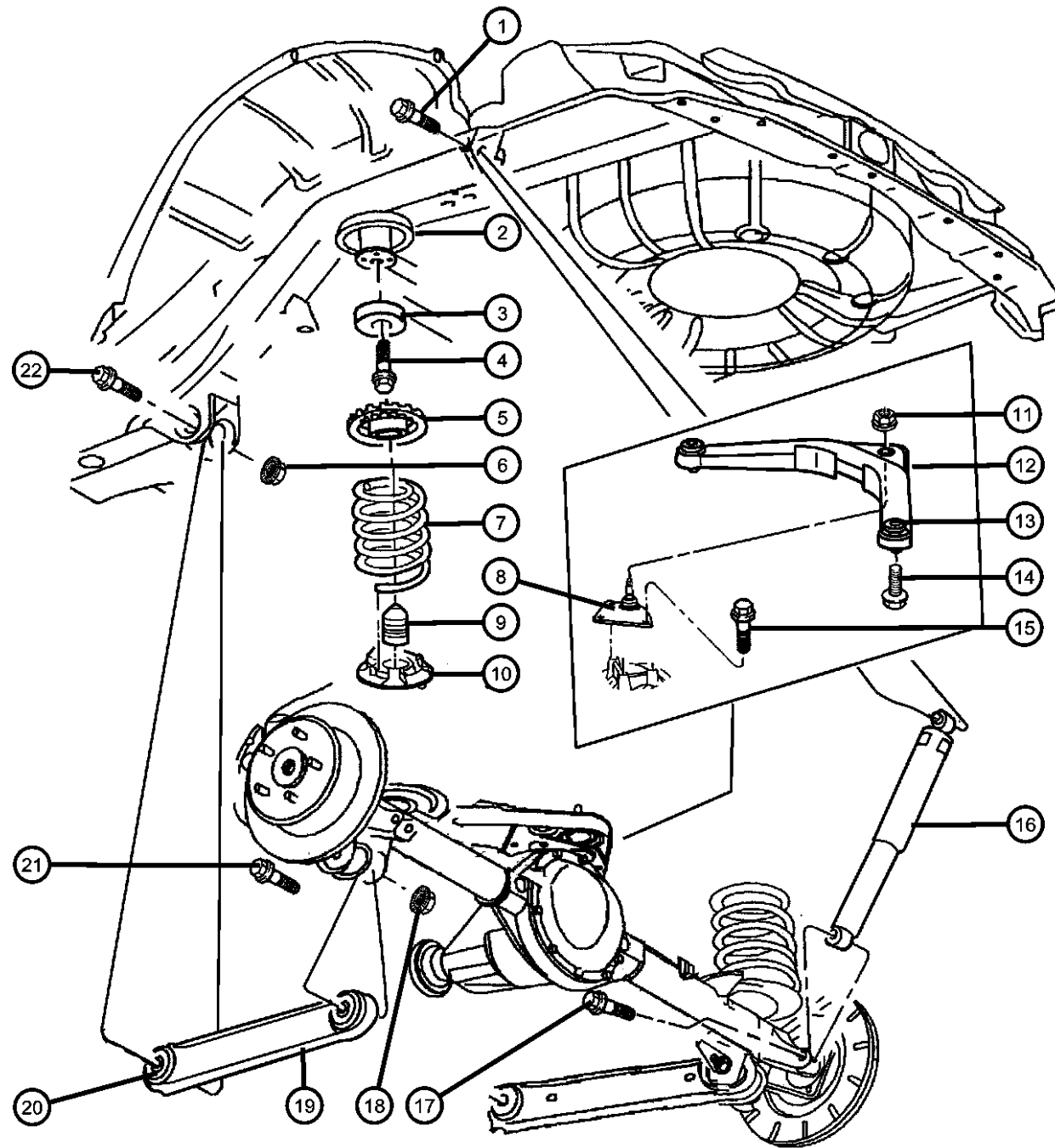
Supension, Rear,with Spring,Shocks and Control ArmsFig. 17 - 110

Rear Stabilizer

Stabilizer Bar, RearFig. 17 - 210

<p>017-100 Rear Suspension</p> 	<p>017-200 Rear Stabilizer</p> 		
--	---	--	--

Suspension, Rear,with Spring,Shocks and Control Arms
Figure 17-110



ITEM	PART NUMBER	QTY	LINE	SERIES	BODY	ENGINE	TRANS	TRIM	DESCRIPTION
------	-------------	-----	------	--------	------	--------	-------	------	-------------

Note:

SDA = Quadra Coil Suspension

SDU = Heavy Duty Suspension

SDJ = Firm Feel Suspension (EXPORT)

The 'Z' Sales Codes for the Coil Springs will be found in the VIN number

1	06506147AA	2							SCREW, Hex Flange Head, M12x1.75x80, Shock Mounting, Upper
2	05014781AA	2							GUIDE, Rear Spring, NoneUpper
3	52088350	2							SPACER, Jounce BumperUpper
4	06505378AA	2							SCREW, Hex Flange Head, M10x1.5x40, Jounce Bumper Spacer Attaching, Upper
5	52088346	2							ISOLATOR, SpringUpper
6	06502698	3							NUT, Hex Flange Lock, LCA to Sill Mounting
7									SPRING, Suspension, Rear
	52088343	1							[ZKW,ZYW]
	52088344	1							[ZLV,ZZV]
	52088345	1							[ZLW,ZZW]
	52088404	1							[ZKY,ZYY]
	52088550	1							[ZKX,ZYX]
	52088551	1							[ZLU,ZZU]
	52089500AA	1							[ZKZ,ZYZ]
8	52088808AB	1							BALL JOINT ASSEMBLY, UPPER CONTROL ARM, REAR
9	52088352	2							BUMPER, JounceLower
10	52088402AB	2							ISOLATOR, SpringLower
11	06505688AA	1							NUT, Hex Flange Lock, M14x2, UCA to Axle Ball Joint
12	52088422AB	1							ARM, Upper Control, Rear, with 2-Bushings
13	52088425	2							BUSHING, Control ArmUpper
14	06504748	2							SCREW, Hex Flange Head, M12x1.75x117, Control Arm to Body Mounting, Upper
15	06505445AA	3							SCREW, Hex Flange Head, M14x2x36, Ball Joint to Axle Mounting, Upper
16									SHOCK ABSORBER, Suspension, Rear

GRAND CHEROKEE (WJ)

SERIES LINE
H = Laredo T = JEEP - 2WD
P = Limited J = JEEP - 4WD

BODY
74 = SPORT UTILITY 4-DR

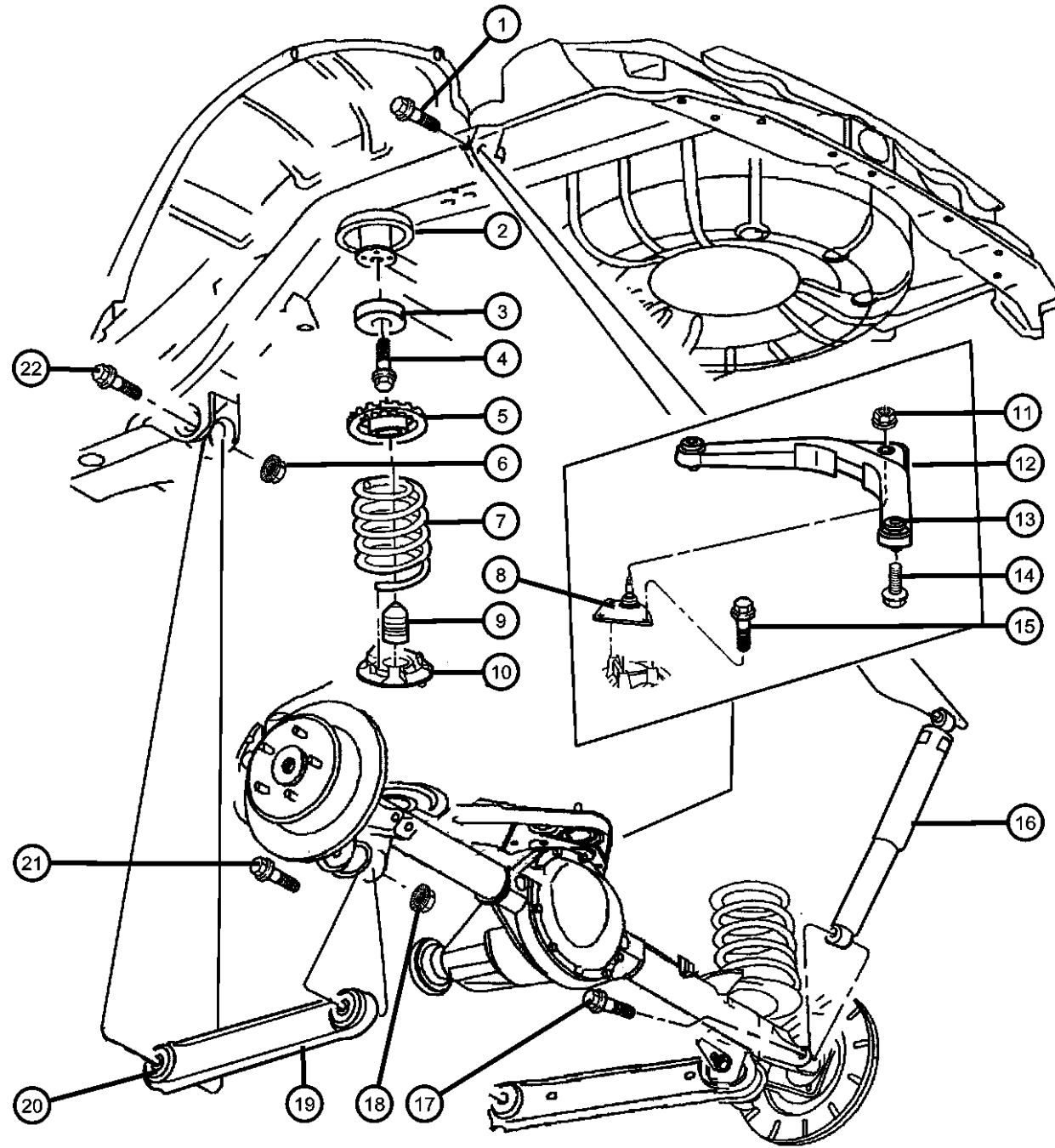
ENGINE
ERH = ENGINE - 4.0L POWER TECH I-6
EVA = ENGINE- 4.7L V8 MPI

TRANSMISSION
DGK = TRANSMISSION - 4-SPD. AUTOMATIC, 42RE
DGG = TRANSMISSION-5SPD AUTOMATIC 5-45RFE
DGO = ALL AUTOMATIC TRANSMISSIONS

AR = use ase required - = Non illustrated part

2001 WJ

Suspension, Rear,with Spring,Shocks and Control Arms
Figure 17-110



ITEM	PART NUMBER	QTY	LINE	SERIES	BODY	ENGINE	TRANS	TRIM	DESCRIPTION
	52088221AE	2							[SDA]
	0SG23339								Mopar V-Line Alternative Part
	52088235AB	2							[SDU]
	0SG23339								Mopar V-Line Alternative Part
	0SGR5128								Rancho Shock
17	06505935AA	2							SCREW, Shock Mounting, Lower
18	06502698	3							NUT, Hex Flange Lock, Control Arm to Axle Mounting, Lower
19	52088355AB	2							ARM, Control, with 2-Bushings, Lower
20	52088220	2							BUSHING, Control Arm, Control Arm to Body, Lower
21	06505214AA	2							SCREW, Hex Flange Head, M14x2.00x114, Control Arm to Axle Mounting, Lower
22	06506033AA	2							BOLT, Hex Flange Head, M14x2.00x105.00, Control Arm to Body Mounting, Lower
-23	06505439AA	1							NUT AND RETAINER, Hex Flange Locking, M14 x 2.00, Control Arm to Body, Lower

GRAND CHEROKEE (WJ)

SERIES LINE
H = Laredo T = JEEP - 2WD
P = Limited J = JEEP - 4WD

BODY
74 = SPORT UTILITY 4-DR

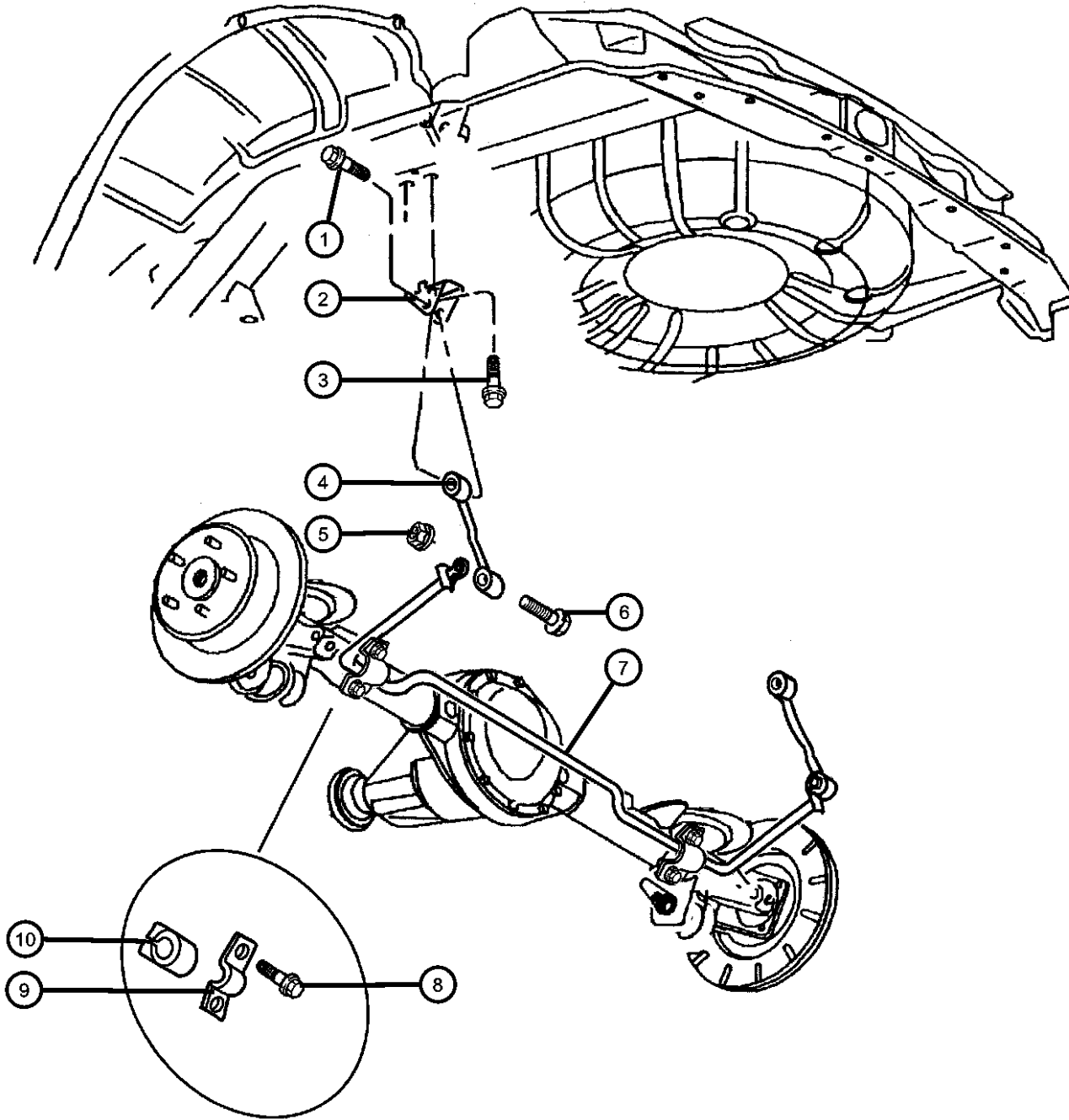
ENGINE
ERH = ENGINE - 4.0L
POWER TECH I-6
EVA = ENGINE- 4.7L V8 MPI

TRANSMISSION
DGK = TRANSMISSION - 4-SPD.
AUTOMATIC,42RE
DGQ = TRANSMISSION-5SPD
AUTOMATIC 5-45RFE
DGO = ALL AUTOMATIC
TRANSMISSIONS

AR = use ase required - = Non illustrated part

2001 WJ

Stabilizer Bar, Rear
Figure 17-210



ITEM	PART NUMBER	QTY	LINE	SERIES	BODY	ENGINE	TRANS	TRIM	DESCRIPTION
1	06505935AA	2							SCREW, Sway Bar Link to Sill Bracket, Mounting
2	52088525AB	2							BRACKET, Suspension
3	52088525AB	2							SCREW AND WASHER, Hex Head, M10-1.50x30, (NOT SERVICED)
4	52088319AB	2							LINK, Sway Eliminator
5	06502696	2							NUT, Hex Flange Lock, M14x1.50, Sway Bar Link to Sway Bar, Mounting
6	06503726	2							SCREW, Shoulder, Sway Bar Link to Sway Bar, Mounting
7	52088739AB	1							STABILIZER BAR, Rear Suspension
8	06503571	4							SCREW AND WASHER, M10x1.50x35
9	52087865	2							RETAINER, Stabilizer Bar Grommet
10	52088738AC	2							BUSHING, Stabilizer Bar

GRAND CHEROKEE (WJ)

SERIES	LINE
H = Laredo	T = JEEP - 2WD
P = Limited	J = JEEP - 4WD

BODY
74 = SPORT UTILITY 4-DR

ENGINE
ERH = ENGINE - 4.0L POWER TECH I-6
EVA = ENGINE- 4.7L V8 MPI

TRANSMISSION
DGK = TRANSMISSION - 4-SPD. AUTOMATIC, 42RE
DGQ = TRANSMISSION-5SPD AUTOMATIC 5-45RFE
DGO = ALL AUTOMATIC TRANSMISSIONS

AR = use ase required - = Non illustrated part

2001 WJ

Group - 19

Steering

Group - 19 Steering

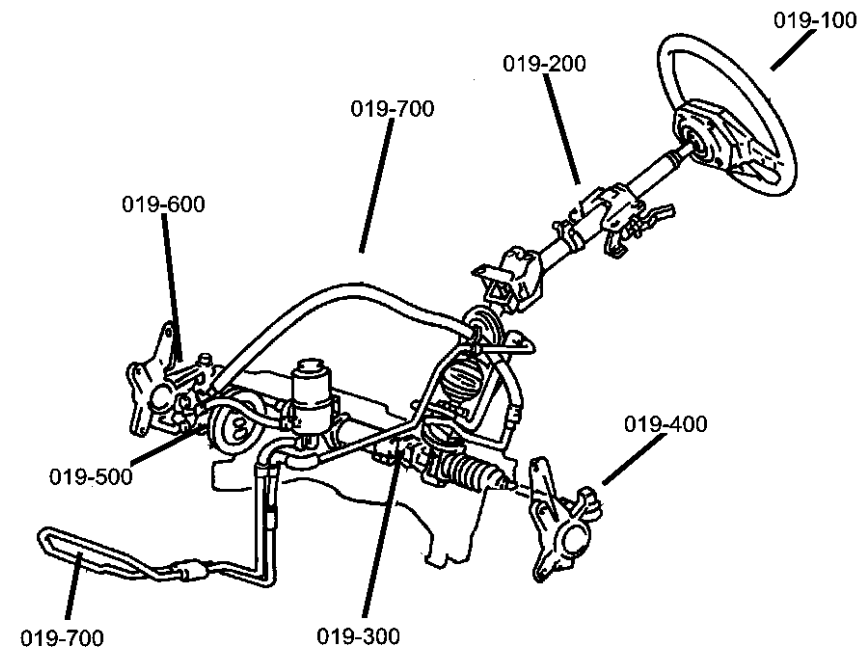


Illustration Title

Group-Fig. No.

Steering Wheel

Steering Wheel Assembly Fig. 19 - 110

Steering Column

Steering Column Assy Fig. 19 - 210

Steering Gear

Steering Gear Fig. 19 - 310

Steering Linkage

Steering Linkage Fig. 19 - 410

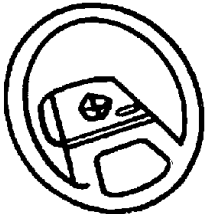
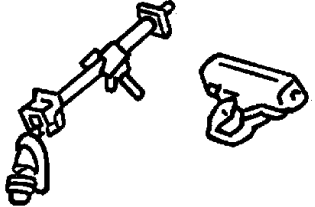
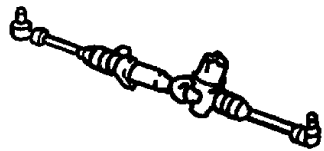
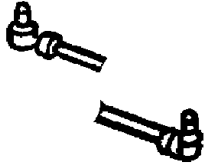
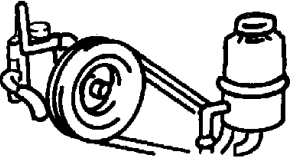
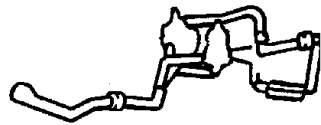
Power Steering Pump

Power Steering Pump Fig. 19 - 510

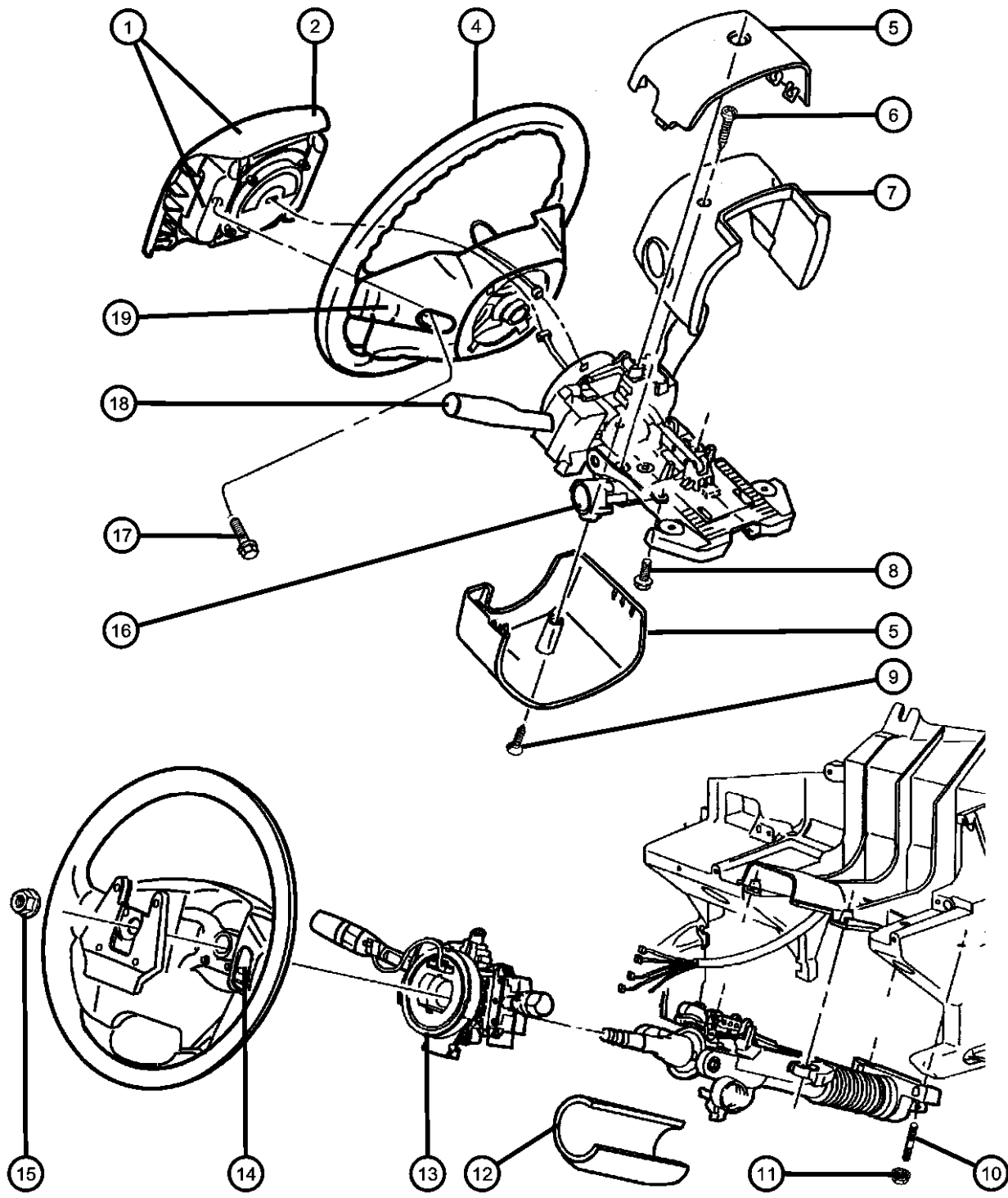
Power Steering Hoses

Power Steering Hoses-ER0 Engine Fig. 19 - 710

Power Steering Hoses [EV0] Engine Fig. 19 - 720

<p>019-100 Steering Wheel</p> 	<p>019-200 Steering Column</p> 	<p>019-300 Steering Gear</p> 	<p>019-400 Steering Linkage</p> 
<p>019-500 Power Steering Pump</p> 	<p>019-700 Power Steering Hoses</p> 		

**Steering Wheel Assembly
Figure 19-110**



ITEM	PART NUMBER	QTY	LINE	SERIES	BODY	ENGINE	TRANS	TRIM	DESCRIPTION
------	-------------	-----	------	--------	------	--------	-------	------	-------------

Note: If Horn Switch is defective, you must replace the AIR BAG COVER WITH SWITCH and not the AIR BAG MODULE ASSEMBLY itself.
 Note:
 DG0 = All Automatic Transmissions
 SCA = Vinyl Steering Wheel
 SCL = Leather Wrapped Steering Wheel

1	5GT61LAZAA	1		P					AIR BAG, Driver
		1		H					[AZ]
	5GT61WL8AA	1		P					[AZ]
	5GT61XTMAA	1		P					[L5]
2	0UU61LAZAA	1		P					COVER, Air Bag Module
		1		H					Includes Horn Switch-[AZ]
	0UU61WL8AA	1		P					Includes Horn Switch-[L5]
	0UU61XTMAA	1		P					Includes Horn Switch-[T5]
-3	05014533AA	1		P					SWITCH, Horn
		1		H					With Mounting Hardware
4	0WB611AZAA	1		H					WHEEL, Steering
		1		P					[SCL]
	0WB611L8AA	1		P					[SCL] [AZ]
	5HM231AZAA	1							[SCL] [L5]
	5HM241TMAA	1		P					[SCA]
5	5GE40LAZAA	1		H					SHROUD, Steering Column
		1		P					[AZ], Upper And Lower
	5GE40XTMAA	1		P					[AZ], Upper And Lower
	5GE40WL8AB	1		P					[T5], Upper And Lower
6	06035142	2							SCREW, .164-32x1.00, Shroud to Column
7	5GE39LAZAA	1		H			DG0		SHROUD, Steering Column
		1		P			DG0		[AZ], Upper
	5GE39WL8AA	1		P			DG0		[AZ], Upper
	5GE39XTMAA	1		P			DG0		[L5], Upper
		1		P			DG0		[T5], Upper

GRAND CHEROKEE (WJ)

SERIES LINE
 H = Laredo T = JEEP - 2WD
 P = Limited J = JEEP - 4WD

BODY
 74 = SPORT UTILITY 4-DR

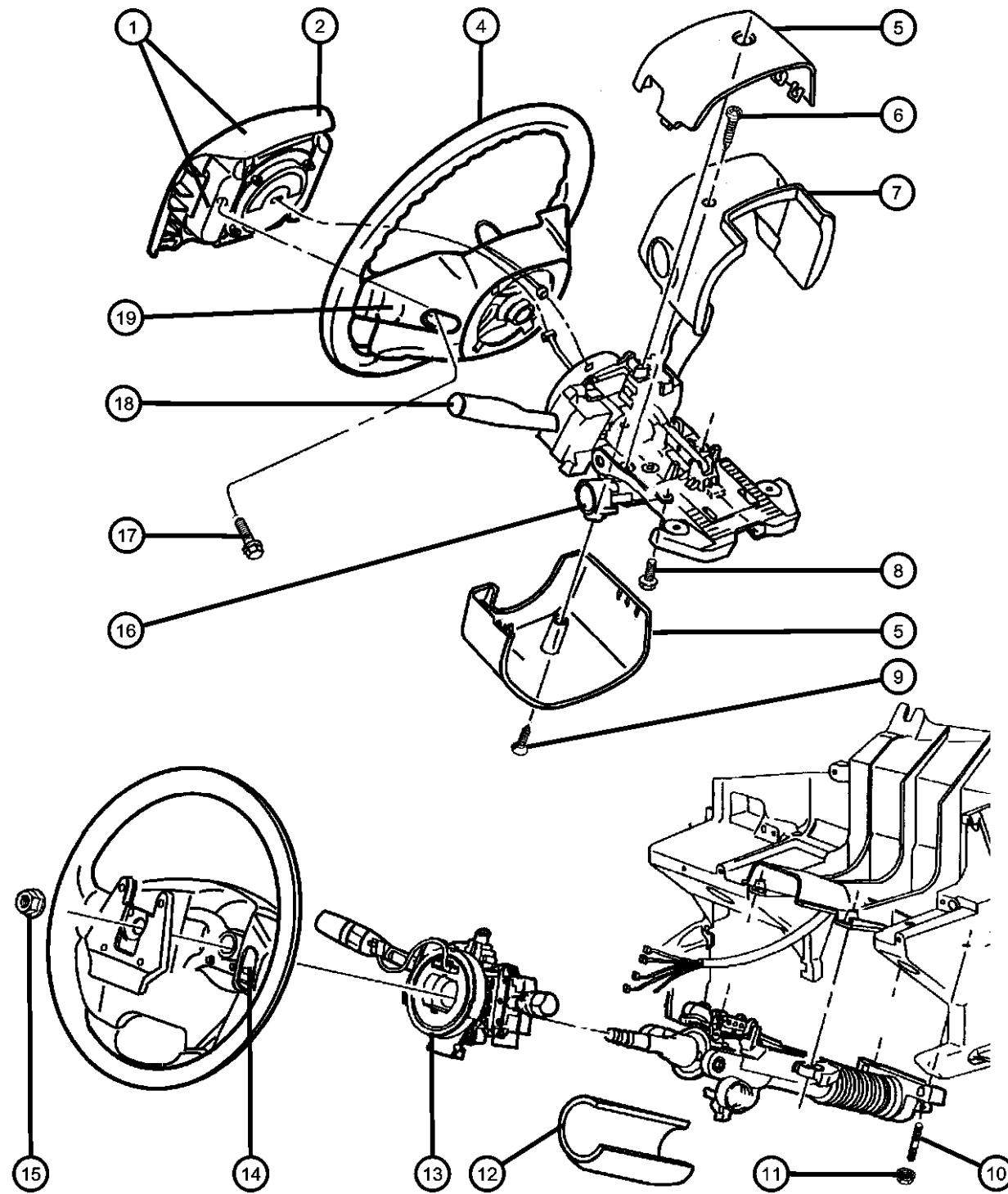
ENGINE
 ERH = ENGINE - 4.0L
 POWER TECH I-6
 EVA = ENGINE- 4.7L V8 MPI

TRANSMISSION
 DGK = TRANSMISSION - 4-SPD.
 AUTOMATIC, 42RE
 DGQ = TRANSMISSION-5SPD
 AUTOMATIC 5-45RFE
 DGO = ALL AUTOMATIC
 TRANSMISSIONS

AR = use ase required - = Non illustrated part

2001 WJ

**Steering Wheel Assembly
Figure 19-110**



ITEM	PART NUMBER	QTY	LINE	SERIES	BODY	ENGINE	TRANS	TRIM	DESCRIPTION
8	06505513AA	1							SCREW, Tapping, M4x0.7x14, Smart Key Immobilizer Module, Mounting
9	06034678	1							SCREW, Self Piercing, .164-15-1, Shroud to Shroud, Mounting
10	06034678	1							STUD, M6x1.00mmx48.80mm, (NOT SERVICED)
11	06503014	4							NUT AND WASHER, Hex, M6x1, Steering Column, Mounting
12	04690413	2							COVER, Steering Wheel
13	56042341AE	1							CLOCKSPRING
14									SWITCH, Speed Control
	56042310AC	1							[SCA], Right
	56042311AC	1							[SCA], Left
	5GY381AZAA	1			P				[SCL] [AZ], Right
		1			H				[SCL] [AZ], Right
	5GY381L8AA	1			P				[SCL] [L5], Right
	5GY381TMAA	1			P				[SCL] [T5], Right
	5GY391AZAA	1			P				[SCL] [AZ], Left
		1			H				[SCL] [AZ], Left
	5GY391L8AA	1			P				[SCL] [L5], Left
	5GY391TMAA	1			P				[SCL] [T5], Left
15	06505248AA	1							NUT, Hex Flange Lock
16	04686665AA	1							MODULE, Immobilizer
17	06506091AA	2							SCREW, M6x1x25, Air Bag to Steering Wheel, Mounting
18	04690595AA	1							LEVER, Steering Column
19									SWITCH, Remote Radio
	56042312AB	1			P				Radio Control, Right
		1			H				Radio Control, Right
	56042313AB	1			P				Radio Control, Left
		1			H				Radio Control, Left
-20	04595749AA	1							LABEL, Air Bag Warning, English and French
-21									WIRING, Steering Wheel
	56042592AB	1			P				[SCL]
		1			H				[SCL]

GRAND CHEROKEE (WJ)

SERIES LINE
H = Laredo T = JEEP - 2WD
P = Limited J = JEEP - 4WD

BODY
74 = SPORT UTILITY 4-DR

ENGINE
ERH = ENGINE - 4.0L POWER TECH I-6
EVA = ENGINE- 4.7L V8 MPI

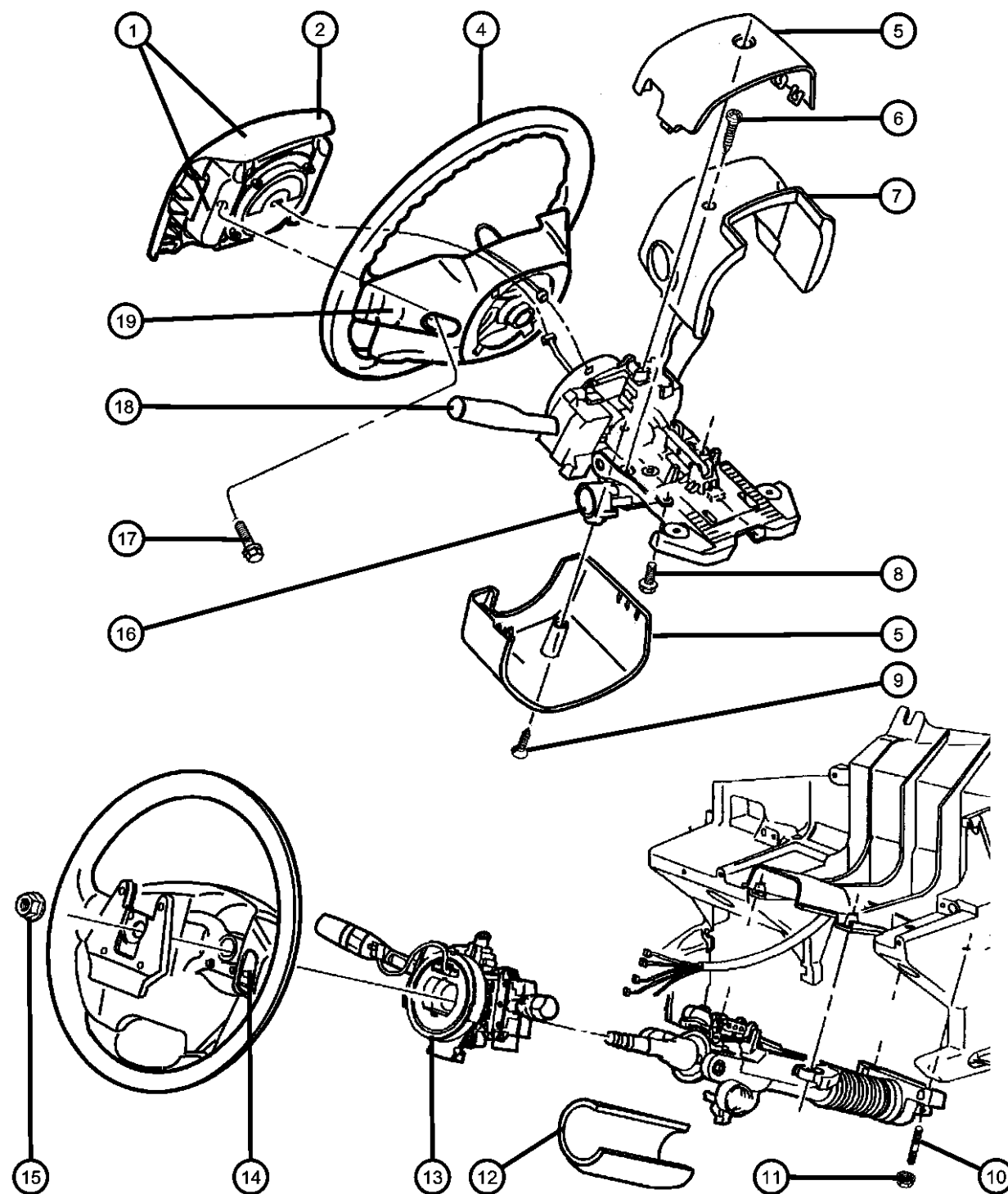
TRANSMISSION
DGK = TRANSMISSION - 4-SPD. AUTOMATIC, 42RE
DGQ = TRANSMISSION-5SPD AUTOMATIC 5-45RFE
DGO = ALL AUTOMATIC TRANSMISSIONS

AR = use ase required - = Non illustrated part

2001 WJ

Steering Wheel Assembly
Figure 19-110

ITEM	PART NUMBER	QTY	LINE	SERIES	BODY	ENGINE	TRANS	TRIM	DESCRIPTION
------	-------------	-----	------	--------	------	--------	-------	------	-------------



	56042595AB	1							[SCA]
-22	56042297AD	1							HOUSING, Switch, Multifunction with Turn Signal Canceling Cam

[SCA]
HOUSING, Switch, Multifunction with Turn Signal Canceling Cam

GRAND CHEROKEE (WJ)

SERIES	LINE
H = Laredo	T = JEEP - 2WD
P = Limited	J = JEEP - 4WD

BODY
74 = SPORT UTILITY 4-DR

ENGINE
ERH = ENGINE - 4.0L
POWER TECH I-6
EVA = ENGINE- 4.7L V8 MPI

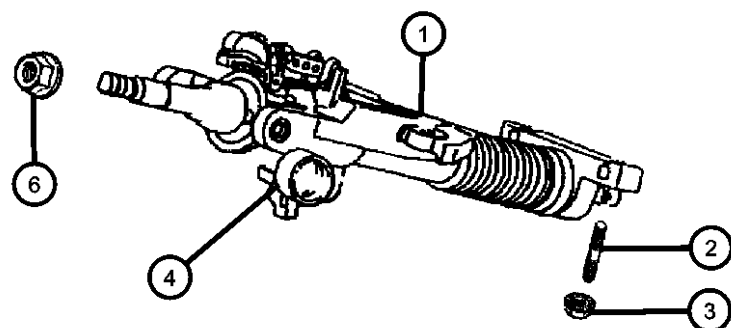
TRANSMISSION
DGK = TRANSMISSION - 4-SPD.
AUTOMATIC, 42RE
DGQ = TRANSMISSION-5SPD
AUTOMATIC 5-45RFE
DGO = ALL AUTOMATIC
TRANSMISSIONS

AR = use ase required - = Non illustrated part

2001 WJ

**Steering Column Assy
Figure 19-210**

ITEM	PART NUMBER	QTY	LINE	SERIES	BODY	ENGINE	TRANS	TRIM	DESCRIPTION
1	55115970AE	1							COLUMN, Steering, Tilt
2	55115970AE	1							STUD, M6x1.00mmx48.80mm, (NOT SERVICED)
3	06503014	4							NUT AND WASHER, Hex, M6x1, Steering Column Mounting
4	04690488	1							HOUSING, Steering Column Lock, Holds Cylinder and Key
-5	04690023	2							SCREW, Pan Head, .25-20x.62, Ignition Lock Housing Mounting
6	06505248AA	1							NUT, Hex Flange Lock, Steering Wheel Attaching



GRAND CHEROKEE (WJ)

SERIES LINE
H = Laredo T = JEEP - 2WD
P = Limited J = JEEP - 4WD

BODY
74 = SPORT UTILITY 4-DR

ENGINE
ERH = ENGINE - 4.0L
POWER TECH I-6
EVA = ENGINE- 4.7L V8 MPI

TRANSMISSION
DGK = TRANSMISSION - 4-SPD.
AUTOMATIC, 42RE
DGQ = TRANSMISSION-5SPD
AUTOMATIC 5-45RFE
DGO = ALL AUTOMATIC
TRANSMISSIONS

AR = use ase required - = Non illustrated part

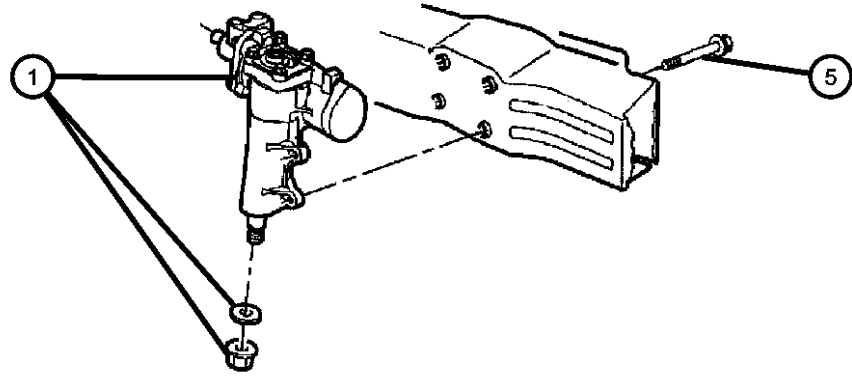
2001 WJ

**Steering Gear
Figure 19-310**

ITEM	PART NUMBER	QTY	LINE	SERIES	BODY	ENGINE	TRANS	TRIM	DESCRIPTION
------	-------------	-----	------	--------	------	--------	-------	------	-------------

Note:
T = 2 Wheel Drive Left Hand Drive
J = 4 Wheel Drive Left Hand Drive

1	52088272AC	1							GEAR, Power Steering
-2	05014667AA	1							SEAL KIT, Steering Gear Housing
-3	05014665AA	1							SEAL KIT, Steering Gear
-4	05014671AA	1							SEAL KIT, Steering gear pitman shaft
5	06504965AA	4							SCREW, Hex Head, Steering Gear to Sill Mounting



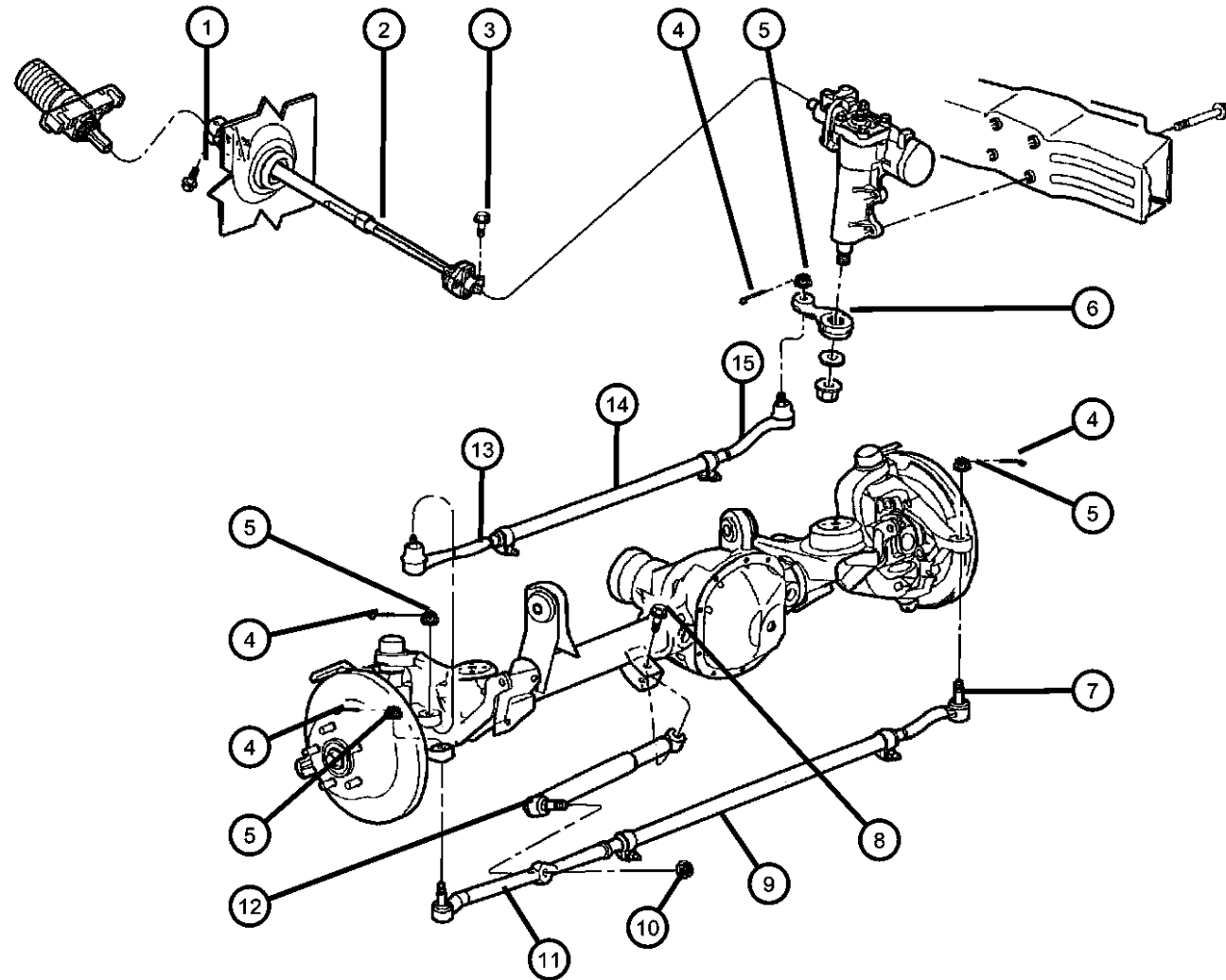
GRAND CHEROKEE (WJ)

SERIES	LINE	BODY	ENGINE	TRANSMISSION
H = Laredo	T = JEEP - 2WD	74 = SPORT UTILITY 4-DR	ERH = ENGINE - 4.0L POWER TECH I-6	DGK = TRANSMISSION - 4-SPD. AUTOMATIC, 42RE
P = Limited	J = JEEP - 4WD		EVA = ENGINE- 4.7L V8 MPI	DGQ = TRANSMISSION-5SPD AUTOMATIC 5-45RFE DGO = ALL AUTOMATIC TRANSMISSIONS

AR = use ase required - = Non illustrated part

2001 WJ

Steering Linkage Figure 19-410



ITEM	PART NUMBER	QTY	LINE	SERIES	BODY	ENGINE	TRANS	TRIM	DESCRIPTION
Note: T = 2 Wheel Drive Left Hand Drive J = 4 Wheel Drive Left Hand Drive									
1	06504926AA	2							SCREW, Hex Flange Head, M10x1.5x40, Intermediate Shaft to Steering Column
2	52088253AG	1							SHAFT, Intermediate
3	06504926AA	2							SCREW, Hex Flange Head, M10x1.5x40, Intermediate Shaft to Steering Gear
4									PIN, Cotter
	34202101	1							Drag Link to Knuckle
		1							Drag Link to Pitman Arm
		2							Tie Rod to Knuckle
5									NUT, Hex, .50-20
	06034358	1							Drag Link to Knuckle Mounting
		1							Drag Link to Pitman Arm Mounting
		2							Tie Rod to Knuckle
6	52088242	1							ARM, Pitman
7	52088869AA	1							SOCKET, Tie Rod, Outer, to Knuckle, Left
8	06502473	1							BOLT, Hex Flange Head, M12x1.75x65, Steering Damper to Axle Bracket Mounting
9	52088871AB	1							LINK, Steering, Adjuster
10	06505822AA	1							NUT, Damper Stud to Tie Rod
11	52088870AA	1							SOCKET, Tie Rod, Outer, to Knuckle, Right
12	52088251AB	1							DAMPER, Steering
13	52088461	1							SOCKET, Tie Rod, Drag Link to Knuckle
14	52088463AB	1							LINK, Steering, Adjuster
15	52088511	1							SOCKET, Tie Rod, Drag Link to Pitman Arm

GRAND CHEROKEE (WJ)

SERIES	LINE
H = Laredo	T = JEEP - 2WD
P = Limited	J = JEEP - 4WD

BODY
74 = SPORT UTILITY 4-DR

ENGINE
ERH = ENGINE - 4.0L POWER TECH I-6
EVA = ENGINE- 4.7L V8 MPI

TRANSMISSION
DGK = TRANSMISSION - 4-SPD. AUTOMATIC, 42RE
DGQ = TRANSMISSION-5SPD AUTOMATIC 5-45RFE
DGO = ALL AUTOMATIC TRANSMISSIONS

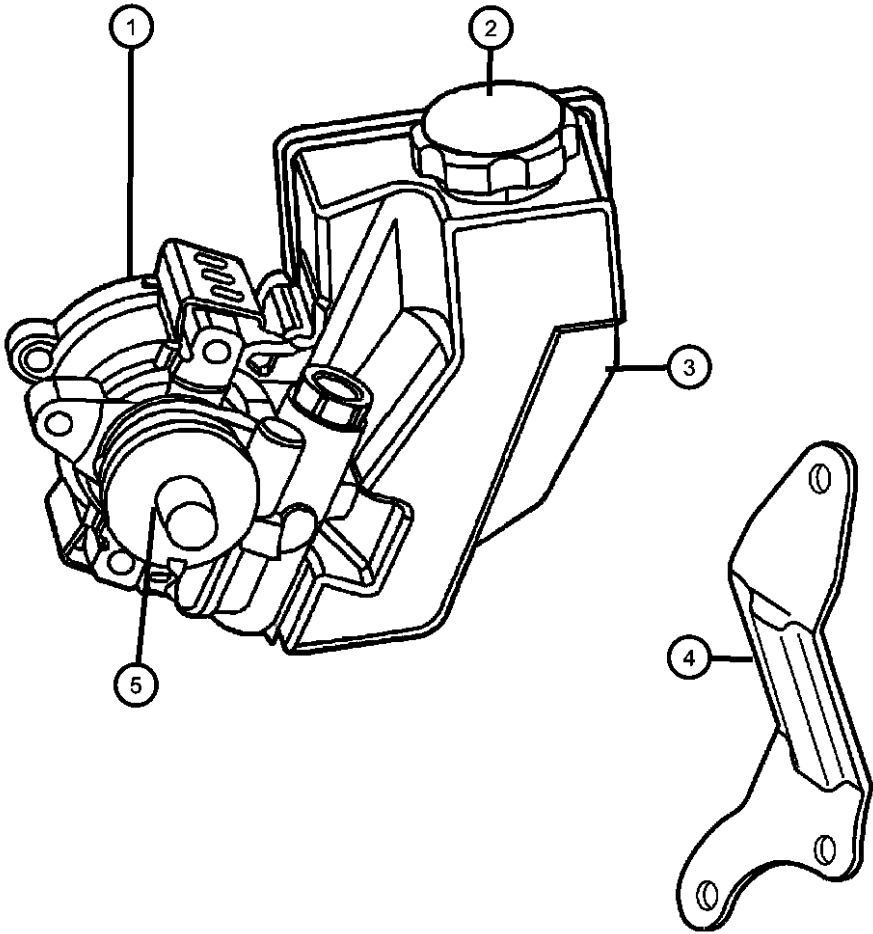
AR = use ase required - = Non illustrated part

2001 WJ

Power Steering Pump

Figure 19-510

ITEM	PART NUMBER	QTY	LINE	SERIES	BODY	ENGINE	TRANS	TRIM	DESCRIPTION
Note: ERO = 4.0L 6 Cyl Engine EV0 = 4.7L Gas Engine									
1									PUMP, Power Steering
	52088278AC	1				ER0			
	52089300AA	1				EV0			
2	04897287AA	1				ER0			CAP, Power Steering Reservoir
3	05016184AA	1				ER0			RESERVOIR KIT, Power steering pump
4	04854157	1				ER0			BRACE, Power Steering Pump
5	04728247	1				ER0			SEAL, Power Steering Pump Shaft
-6	53010258AB	1				ER0, EV0			PULLEY, Power Steering Pump
-7	06502425	3				ER0			SCREW AND WASHER, Hex Head, M8x1.25x95, Power Steering Pump and Brace Mounting
-8	06102045AA	3				EV0			SCREW AND WASHER, Hex Head, Power Steering Pump Mounting
-9	52088914AA	1				ER0, EV0			FITTING, Quick Disconnect
-10	05019705AA	1				ER0, EV0			O RING, Quick Disconnect Fitting



GRAND CHEROKEE (WJ)

SERIES	LINE	BODY	ENGINE	TRANSMISSION
H = Laredo	T = JEEP - 2WD	74 = SPORT UTILITY 4-DR	ERH = ENGINE - 4.0L POWER TECH I-6	DGK = TRANSMISSION - 4-SPD. AUTOMATIC, 42RE
P = Limited	J = JEEP - 4WD		EVA = ENGINE- 4.7L V8 MPI	DGQ = TRANSMISSION-5SPD AUTOMATIC 5-45RFE
				DGO = ALL AUTOMATIC TRANSMISSIONS

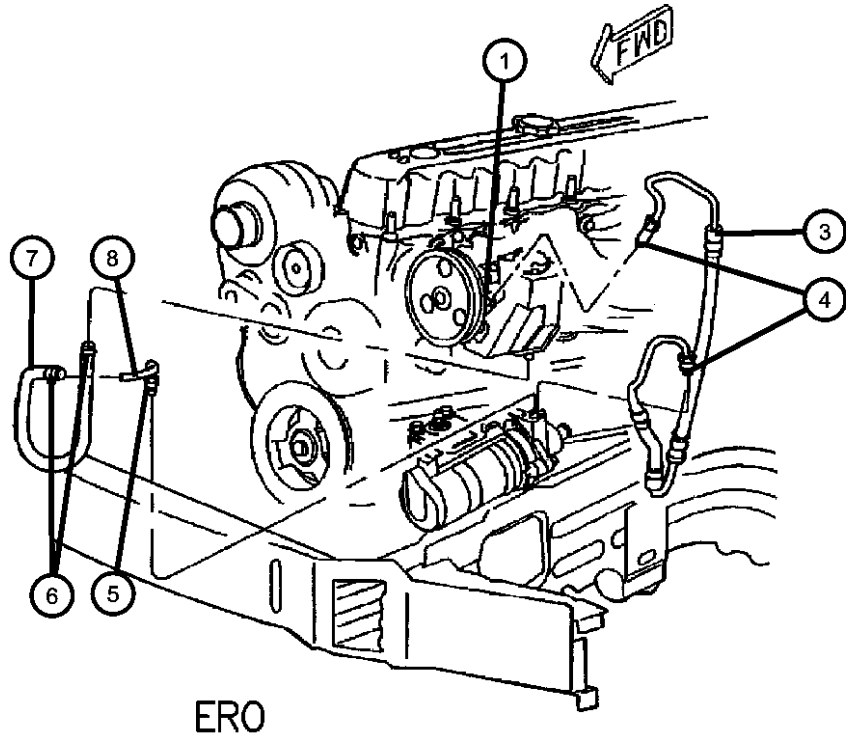
AR = use ase required - = Non illustrated part

**Power Steering Hoses-ER0 Engine
Figure 19-710**

ITEM	PART NUMBER	QTY	LINE	SERIES	BODY	ENGINE	TRANS	TRIM	DESCRIPTION
------	-------------	-----	------	--------	------	--------	-------	------	-------------

Note: Sales Codes;
[DG0]=Transmissions - All Automatic
[ER0]=All 4.0L 6 Cylinder Gas Engine

1	52088914AA	1				ER0	DG0		FITTING, Quick Disconnect, Includes Item 2
-2	05019705AA	1				ER0	DG0		O RING
3	52088452AC	1				ER0			HOSE, Power Steering Pressure, Includes Item 4
4	05205254	2				ER0			O RING, Power Steering Hose
5	05205254	1							O RING, Power Steering Hose
6	02448761	2				ER0			CLAMP, Hose
7	52088774AA	1				ER0			HOSE, Power Steering Return, Includes Item 6
8	52088775AA	1							TUBE, Power Steering Return, Includes Item 5



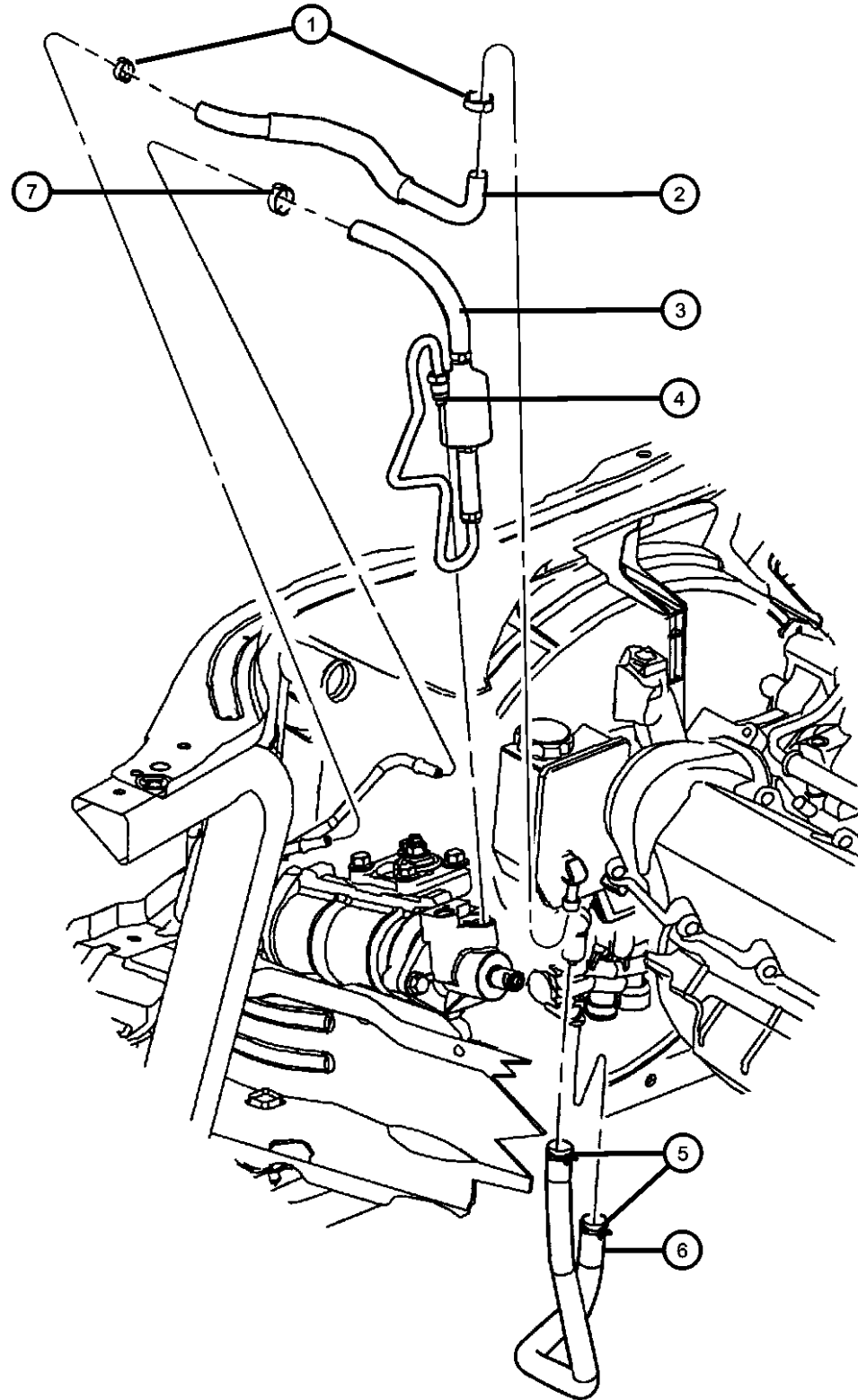
GRAND CHEROKEE (WJ)

SERIES	LINE	BODY	ENGINE	TRANSMISSION
H = Laredo	T = JEEP - 2WD	74 = SPORT UTILITY 4-DR	ERH = ENGINE - 4.0L POWER TECH I-6	DGK = TRANSMISSION - 4-SPD. AUTOMATIC, 42RE
P = Limited	J = JEEP - 4WD		EVA = ENGINE- 4.7L V8 MPI	DGQ = TRANSMISSION-5SPD AUTOMATIC 5-45RFE
				DGO = ALL AUTOMATIC TRANSMISSIONS

AR = use ase required - = Non illustrated part

2001 WJ

**Power Steering Hoses [EV0] Engine
Figure 19-720**



ITEM	PART NUMBER	QTY	LINE	SERIES	BODY	ENGINE	TRANS	TRIM	DESCRIPTION
------	-------------	-----	------	--------	------	--------	-------	------	-------------

Sales Codes;

[EV0] = All 4.7L Engines

Note: For hoses that are attached to the Cooling Module, see Group 7.

1	02448770	2				EV0			CLAMP, Hose
2	52088922AB	1				EV0			HOSE, Power Steering Return
3	52088918AD	1				EV0			HOSE, Power Steering Return, Includes Items 4,7
4	05205254	1				EV0			O RING, Power Steering Hose
5	06502017	2				EV0			CLAMP, Heater Hose
6	52088916AB	1				EV0			HOSE, Power Steering Reservoir, Includes Item 5
7	06507233AA	1				EV0			CLAMP, Hose, Spring Type
-8	55116805AA	1				EV0			CLIP, Hose to Shroud, Mount
-9	52079928AA	1				EV0			CLIP, Line, Pressure Line 1/2
-10	52088914AA	1				EV0			FITTING, Quick Disconnect
-11	05019708AB	1				EV0			HOSE PACKAGE, Hydraulic Fan, High Pressure P/S line
-12	05019705AA	1				EV0			O RING

GRAND CHEROKEE (WJ)

SERIES LINE
H = Laredo T = JEEP - 2WD
P = Limited J = JEEP - 4WD

BODY
74 = SPORT UTILITY 4-DR

ENGINE
ERH = ENGINE - 4.0L
POWER TECH I-6
EVA = ENGINE- 4.7L V8 MPI

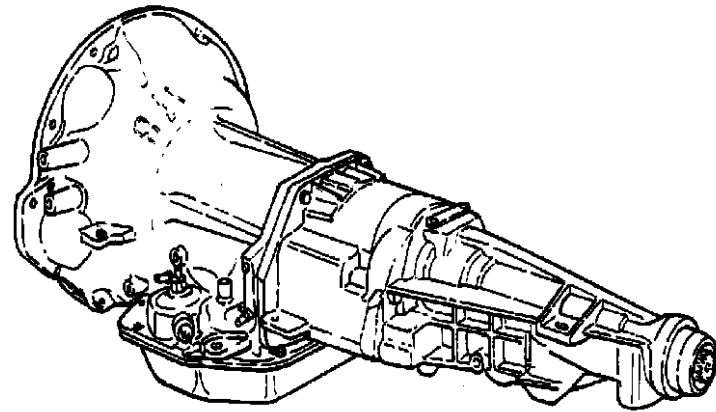
TRANSMISSION
DGK = TRANSMISSION - 4-SPD.
AUTOMATIC, 42RE
DGQ = TRANSMISSION-5SPD
AUTOMATIC 5-45RFE
DGO = ALL AUTOMATIC
TRANSMISSIONS

AR = use ase required - = Non illustrated part

2001 WJ

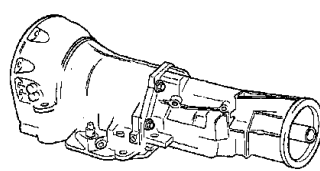
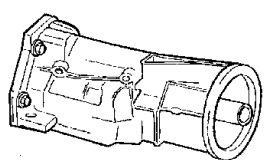
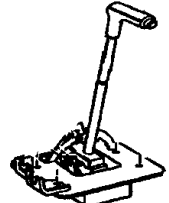
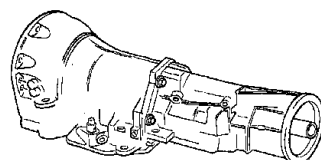

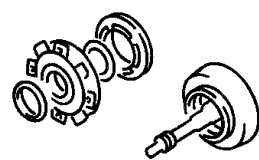
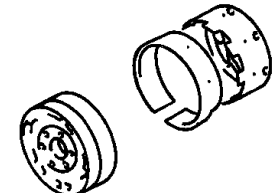
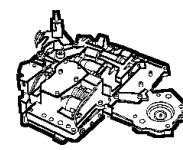
Group - 42RE

Automatic Transmission 4 Speed



Group - 42RE Automatic Transmission 4 Speed

Illustration Title	Group-Fig. No.
Transmission Assembly	
Transmission 42RE [DGK]	Fig. 42RE - 110
Case and Extension	
Case and Related Parts 42RE [DGK]	Fig. 42RE - 210
Case Rear 42RE [DGK]	Fig. 42RE - 220
Oil Pump	
Oil Pump 42RE [DGK]	Fig. 42RE - 310
Gear Train	
Gear Train 42RE [DGK]	Fig. 42RE - 410
Gear Train and Intermediate Shaft 42RE [DGK]	Fig. 42RE - 420
Output Shaft 42RE [DGK]	Fig. 42RE - 430
Bands, Reverse and Kickdown	
Bands 42RE [DGK]	Fig. 42RE - 510
Valve Body	
Valve Body 42RE [DGK]	Fig. 42RE - 710
Servos 42RE [DGK]	Fig. 42RE - 720
Parking Sprag 42RE [DGK]	Fig. 42RE - 730
Overdrive Gear Train	
Overdrive Gear Train 42RE [DGK]	Fig. 42RE - 1010
Gearshift Controls	
Gearshift Controls 42RE [DGK]	Fig. 42RE - 1210

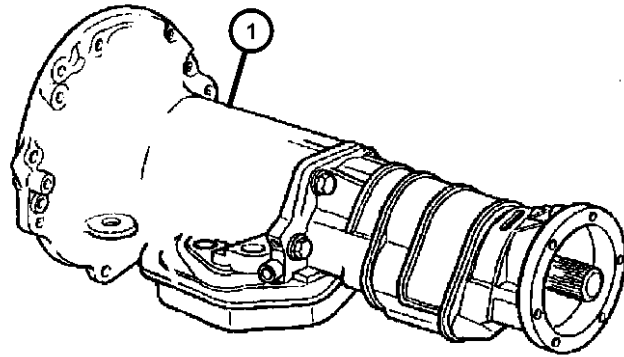
<p>42RE-100 Transmission Assembly</p> 	<p>42RE-1000 Overdrive Gear Train</p> 	<p>42RE-1200 Gearshift Controls</p> 	<p>42RE-200 Case and Extension</p> 
<p>42RE-300 Oil Pump</p> 	<p>42RE-400 Gear Train</p> 	<p>42RE-500 Bands, Reverse and Kickdown</p> 	<p>42RE-700 Valve Body</p> 

**Transmission 42RE [DGK]
Figure 42RE-110**

ITEM	PART NUMBER	QTY	LINE	SERIES	BODY	ENGINE	TRANS	TRIM	DESCRIPTION
------	-------------	-----	------	--------	------	--------	-------	------	-------------

NOTES: Sales Codes
[DGK] = 42RE 4 Speed Automatic Transmission

1									TRANSMISSION PACKAGE
	05015273AA	1	T				DGK		
	05015274AA	1	J				DGK		
-2									OVERDRIVE
	52118782	1	T				DGK		
	52118783AB	1	J				DGK		



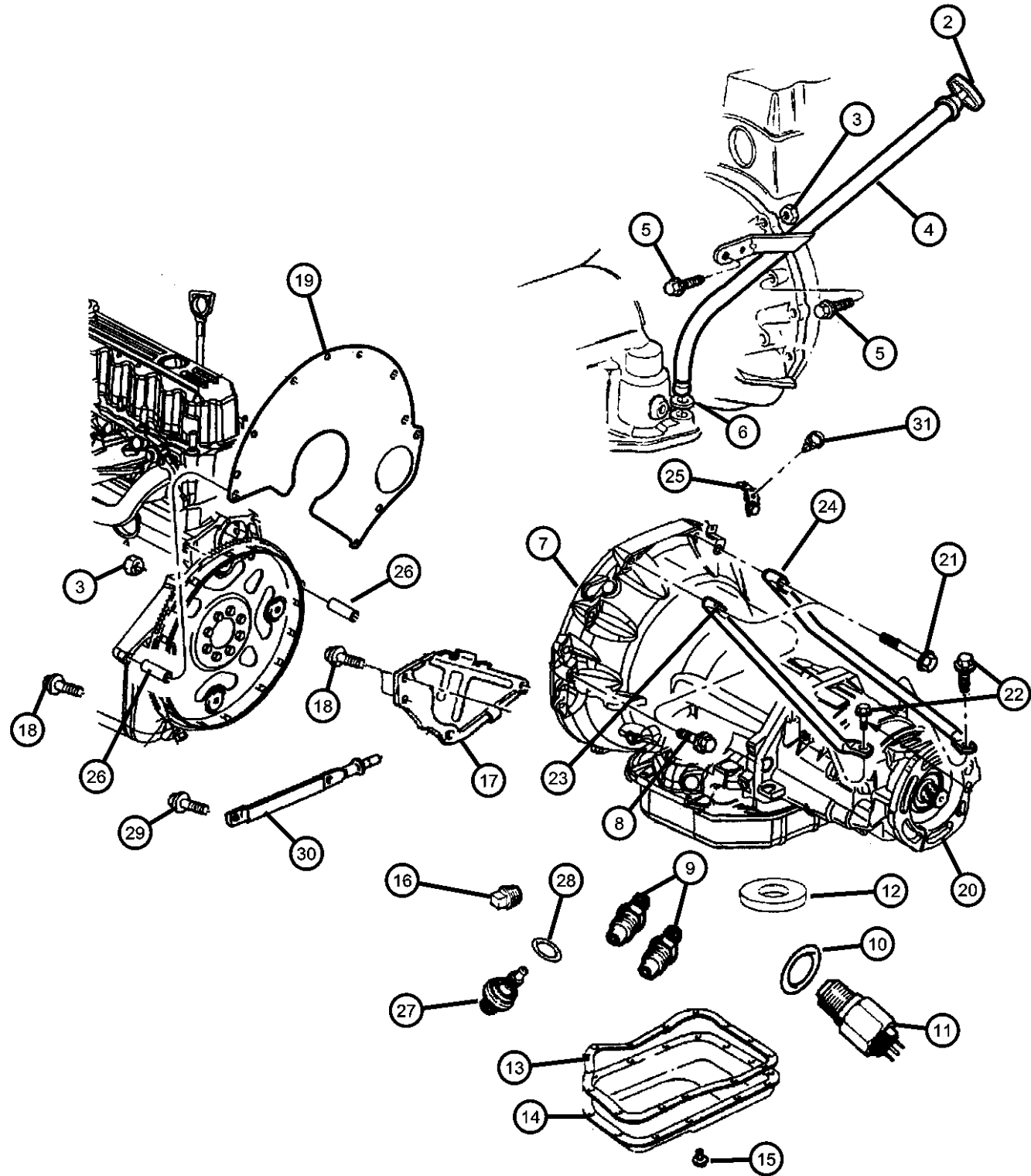
GRAND CHEROKEE (WJ)

SERIES	LINE	BODY	ENGINE	TRANSMISSION
H = Laredo	T = JEEP - 2WD	74 = SPORT UTILITY 4-DR	ERH = ENGINE - 4.0L POWER TECH I-6	DGK = TRANSMISSION - 4-SPD. AUTOMATIC, 42RE
P = Limited	J = JEEP - 4WD		EVA = ENGINE- 4.7L V8 MPI	DGQ = TRANSMISSION-5SPD AUTOMATIC 5-45RFE DGO = ALL AUTOMATIC TRANSMISSIONS

AR = use ase required - = Non illustrated part

2001 WJ

Case and Related Parts 42RE [DGK]
Figure 42RE-210



ITEM	PART NUMBER	QTY	LINE	SERIES	BODY	ENGINE	TRANS	TRIM	DESCRIPTION
-1									SEAL AND GASKET PACKAGE, Transmission
	04863907AD	1	T				DGK		
		1	J				DGK		
2	52118641AC	1				ER0	DG0		INDICATOR, Transmission Fluid Level
3	J0219422	1					DGK		NUT, Hex
4	52104247	1					DGK		TUBE, Transmission Oil Filler
5	00153371	1					DGK		BOLT, Hex Head, .375-16x2.25
6	52118629AB	1					DG0		SEAL, Oil Filler Tube
7									CASE, Transmission
	52118291	1	T				DGK		
		1	J				DGK		
8	J4004370	2					DGK		BOLT AND WASHER, Hex Head, .437-14x2.75
9									NUT, Inverted Flare, .62-18
	06033879	2	T				DGK		
		2	J				DGK		
10									WASHER, Switch
	02408143	1	T				DGK		
		1	J				DGK		
11									SWITCH, Neutral, Safety, Back Up
	03747361	1	T				DGK		
		1	J				DGK		
12									MAGNET, Transmission
	03681601	1	T				DGK		
		1	J				DGK		
13									GASKET, Oil Pan
	04295875	1	T				DGK		
		1	J				DGK		
14									PAN, Transmission Oil
	52118779AB	1	T				DGK		
		1	J				DGK		

GRAND CHEROKEE (WJ)

SERIES LINE
H = Laredo T = JEEP - 2WD
P = Limited J = JEEP - 4WD

BODY
74 = SPORT UTILITY 4-DR

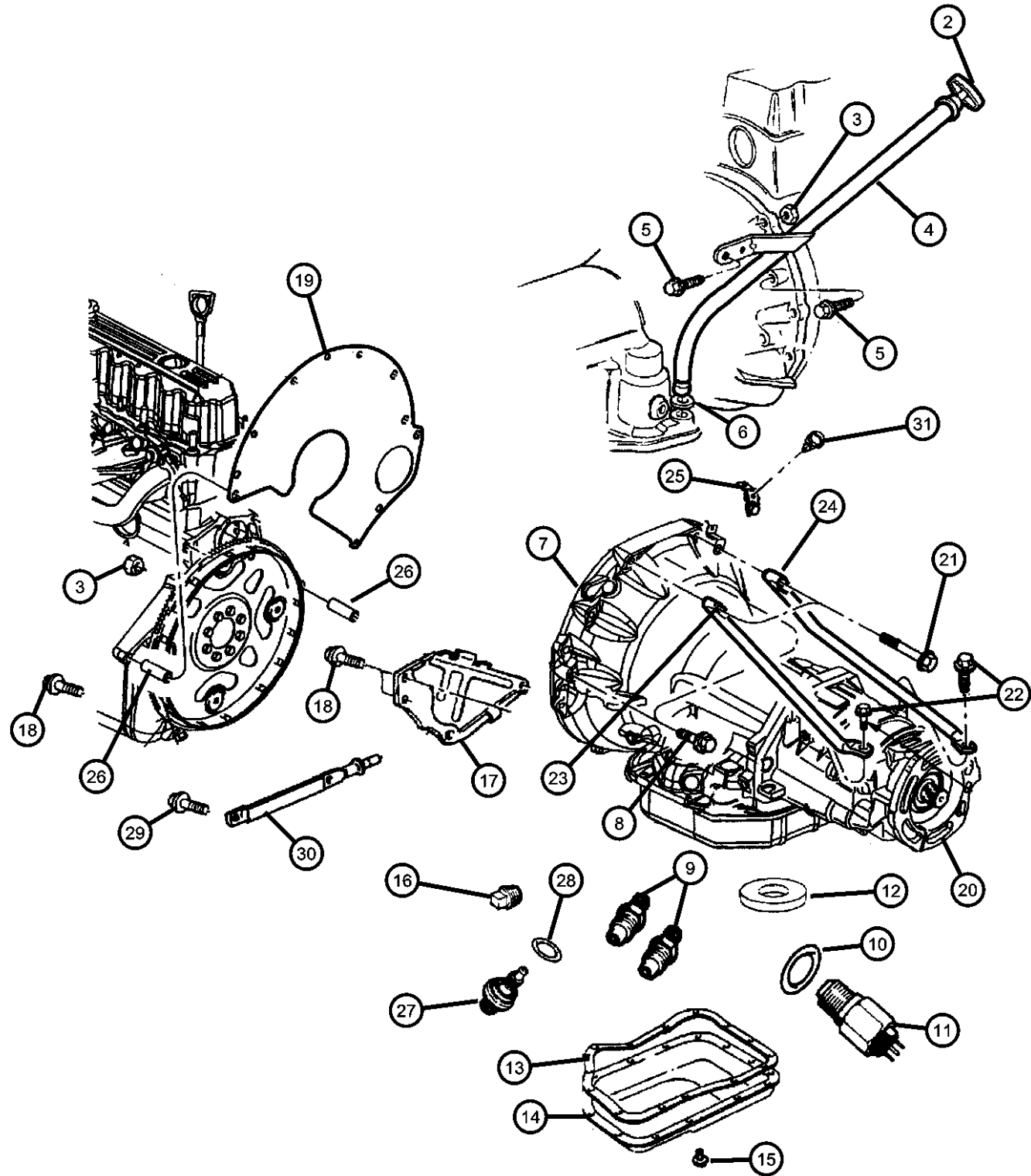
ENGINE
ERH = ENGINE - 4.0L
POWER TECH I-6
EVA = ENGINE- 4.7L V8 MPI

TRANSMISSION
DGK = TRANSMISSION - 4-SPD.
AUTOMATIC, 42RE
DGQ = TRANSMISSION-5SPD
AUTOMATIC 5-45RFE
DGO = ALL AUTOMATIC
TRANSMISSIONS

AR = use ase required - = Non illustrated part

2001 WJ

Case and Related Parts 42RE [DGK]
Figure 42RE-210



ITEM	PART NUMBER	QTY	LINE	SERIES	BODY	ENGINE	TRANS	TRIM	DESCRIPTION
15									SCREW
	06036330AA	14	T				DGK		
		14	J				DGK		
16									PLUG, Pressure Check
	06028095	1	T				DGK		
		1	J				DGK		
17	52118136AB	1					DGK		COVER, Converter
18	04723548	12	T				DGK		SCREW AND WASHER, Hex Head, .312-18x.625
19	J3237847	1				ER0	DG0		SPACER, Clutch Housing
20	05012428AA	1	J				DGK		ADAPTER, Transfer Case
21	06034242	2	J			ER0	DG0		SCREW AND WASHER
22	06027865	2	J			ER0	DG0		SCREW, .375-16x1.375
23	52104201	1	J			ER0	DG0		BRACE, Bending Transmission, Top Left
24	52104200	1	J			ER0	DG0		BRACE, Bending Transmission, Top Right
25	52098522	1	J			ER0			BRACKET, Tube
26	J4005148	2				ER0			DOWEL, Transmission
27									SENSOR, Transmission Output Speed
	04412879	1	T				DGK		
		1	J				DGK		
28									O RING, Trans Speed Sensor
	06501701	1	T				DGK		
		1	J				DGK		
29	06034498	2	J			ER0	DG0		SCREW AND WASHER, Hex Head, .312-18x1.25
30	52104250AA	1	J			ER0	DG0		BRACE, Bell Housing
31									CLIP
	52118181	1	T				DGK		
		1	J				DGK		

GRAND CHEROKEE (WJ)

SERIES LINE
H = Laredo T = JEEP - 2WD
P = Limited J = JEEP - 4WD

BODY
74 = SPORT UTILITY 4-DR

ENGINE
ERH = ENGINE - 4.0L
POWER TECH I-6
EVA = ENGINE- 4.7L V8 MPI

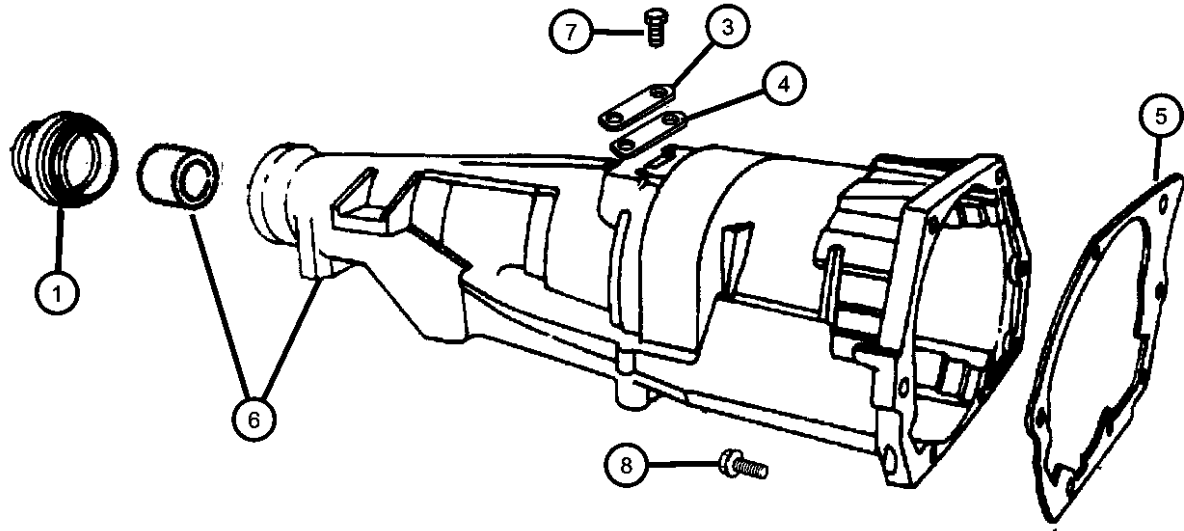
TRANSMISSION
DGK = TRANSMISSION - 4-SPD.
AUTOMATIC, 42RE
DGQ = TRANSMISSION-5SPD
AUTOMATIC 5-45RFE
DGO = ALL AUTOMATIC
TRANSMISSIONS

AR = use ase required - = Non illustrated part

2001 WJ

Case Rear 42RE [DGK]
Figure 42RE-220

ITEM	PART NUMBER	QTY	LINE	SERIES	BODY	ENGINE	TRANS	TRIM	DESCRIPTION
NOES: Sales Codes [DGK] = 42RE 4 Speed Automatic Transmission									
1	04531216AB	1	T				DGK		SEAL, Extension Yoke
-2	04269956AB	1	J				DGK		SEAL, Adapter
3	02466957	1	T				DGK		COVER, Transmission Converter
		1	J				DGK		
4	02801398	1	T				DGK		GASKET, Transmission
		1	J				DGK		
5	04471564	1	T				DGK		GASKET, Overdrive Piston Retainer
		1	J				DGK		
6	05003231AA	1	T				DGK		CASE, Transmission Rear
7	05003231AA	1							SCREW, (NOT SERVICED)
8	06036046AA	7	T				DGK		SCREW, Hex Flange Head, .375-16x1.38
		7	J				DGK		



GRAND CHEROKEE (WJ)

SERIES LINE
H = Laredo T = JEEP - 2WD
P = Limited J = JEEP - 4WD

BODY
74 = SPORT UTILITY 4-DR

ENGINE
ERH = ENGINE - 4.0L
POWER TECH I-6
EVA = ENGINE- 4.7L V8 MPI

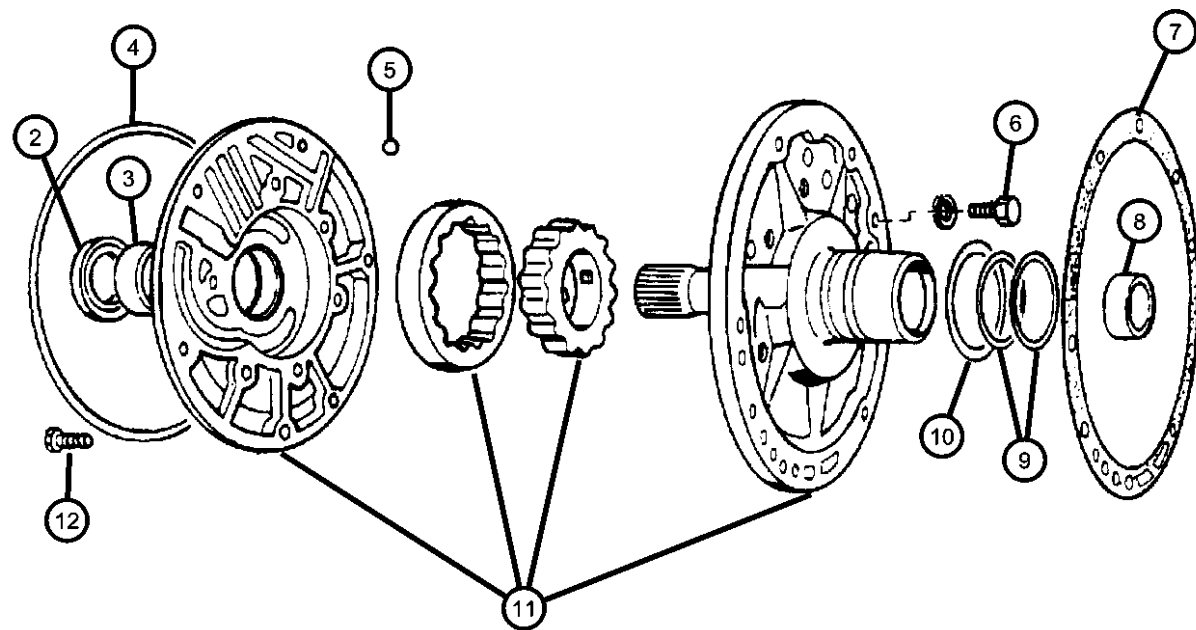
TRANSMISSION
DGK = TRANSMISSION - 4-SPD.
AUTOMATIC, 42RE
DGQ = TRANSMISSION-5SPD
AUTOMATIC 5-45RFE
DGO = ALL AUTOMATIC
TRANSMISSIONS

AR = use ase required - = Non illustrated part

2001 WJ

**Oil Pump 42RE [DGK]
Figure 42RE-310**

ITEM	PART NUMBER	QTY	LINE	SERIES	BODY	ENGINE	TRANS	TRIM	DESCRIPTION
-1									GASKET AND SEAL PACKAGE, Transmission Oil Pump
	04713108AB	1	T				DGK		
		1	J				DGK		
2									SEAL, Impeller Hub, 57.25mm OD
	04412475	1	T				DGK		
		1	J				DGK		
3									BUSHING, Front Pump
	02466796	1	T				DGK		
		1	J				DGK		
4									SEAL, Front Pump Housing
	02204709	1	T				DGK		
		1	J				DGK		
5									BALL, Valve Body Check
	00104918	1	T				DGK		
		1	J				DGK		
6									SCREW, Hex Head, .312-18x.687
	00179815	6	T				DGK		
		6	J				DGK		
7									GASKET, Transmission Oil Pump
	52118266	1	T				DGK		
		1	J				DGK		
8									BUSHING, Reaction Shaft
	04058635	1	T				DGK		
		1	J				DGK		
9									SEAL, Ring Reaction Support, 2 1/16 O.D.
	04471874	2	T				DGK		
		2	J				DGK		
10									THRUST WASHER, Front Clutch
	04617786	1	T				DGK		
		1	J				DGK		
11									PUMP, Transmission Oil



GRAND CHEROKEE (WJ)

SERIES LINE
H = Laredo T = JEEP - 2WD
P = Limited J = JEEP - 4WD

BODY
74 = SPORT UTILITY 4-DR

ENGINE
ERH = ENGINE - 4.0L
POWER TECH I-6
EVA = ENGINE- 4.7L V8 MPI

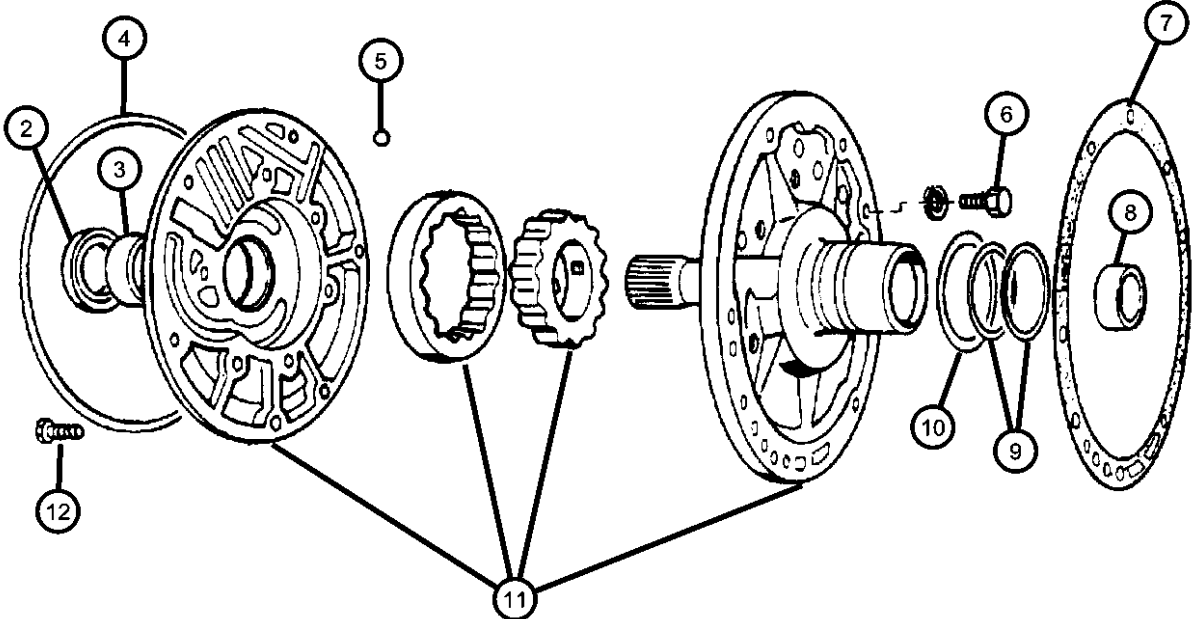
TRANSMISSION
DGK = TRANSMISSION - 4-SPD.
AUTOMATIC, 42RE
DGQ = TRANSMISSION-5SPD
AUTOMATIC 5-45RFE
DGO = ALL AUTOMATIC
TRANSMISSIONS

AR = use ase required - = Non illustrated part

2001 WJ

Oil Pump 42RE [DGK]
Figure 42RE-310

ITEM	PART NUMBER	QTY	LINE	SERIES	BODY	ENGINE	TRANS	TRIM	DESCRIPTION
	04778552AB	1	T				DGK		
		1	J				DGK		
12									SCREW AND WASHER, Hex Flange Head, .312-18x1.375
	06023943	6	T				DGK		
		6	J				DGK		



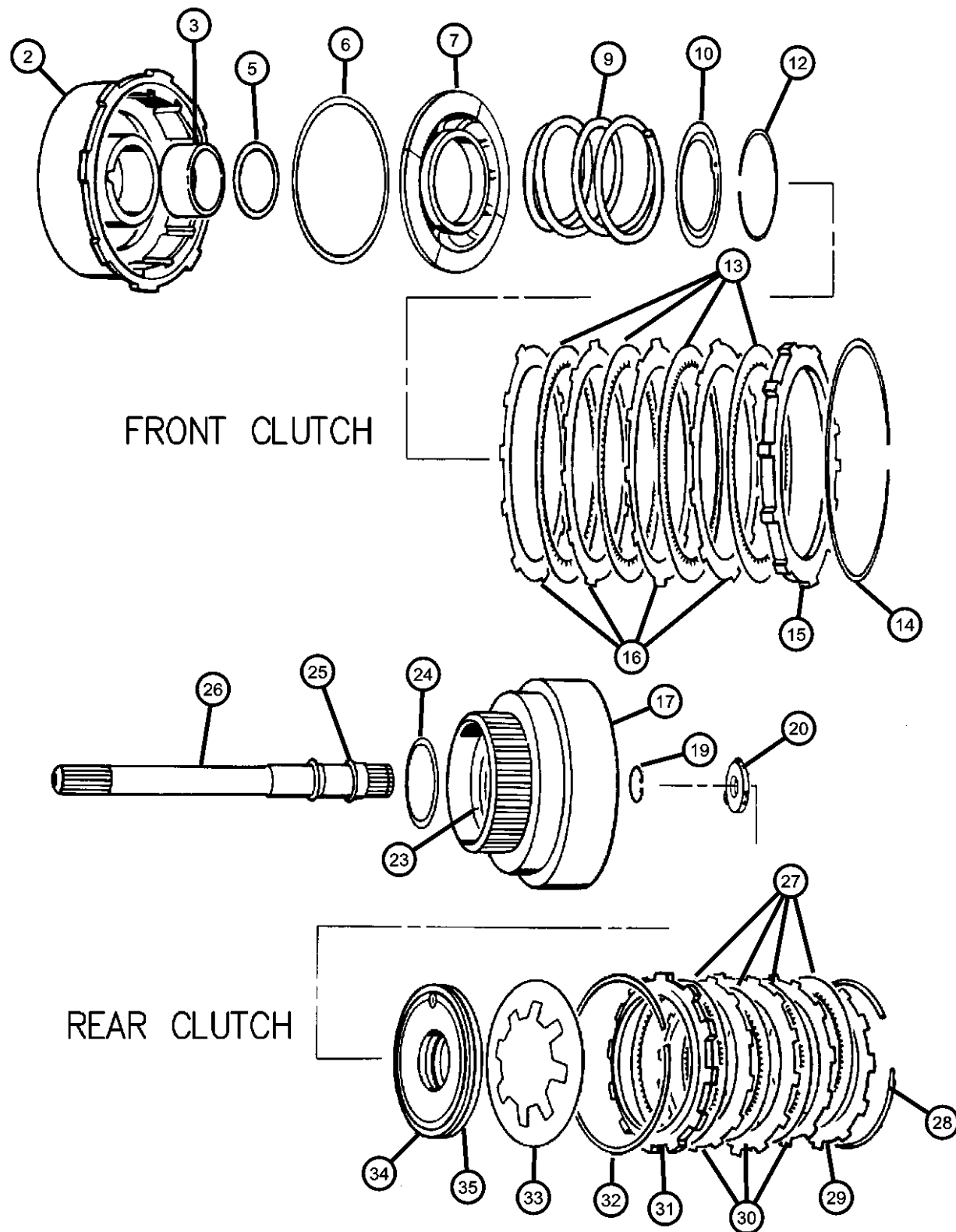
GRAND CHEROKEE (WJ)

SERIES	LINE	BODY	ENGINE	TRANSMISSION
H = Laredo	T = JEEP - 2WD	74 = SPORT UTILITY 4-DR	ERH = ENGINE - 4.0L POWER TECH I-6	DGK = TRANSMISSION - 4-SPD. AUTOMATIC, 42RE
P = Limited	J = JEEP - 4WD		EVA = ENGINE- 4.7L V8 MPI	DGQ = TRANSMISSION-5SPD AUTOMATIC 5-45RFE
				DGO = ALL AUTOMATIC TRANSMISSIONS

AR = use ase required - = Non illustrated part

Gear Train 42RE [DGK]

Figure 42RE-410



ITEM	PART NUMBER	QTY	LINE	SERIES	BODY	ENGINE	TRANS	TRIM	DESCRIPTION
-1									SEAL PACKAGE, Transmission Clutch
	05252926AB	1	T				DGK		
		1	J				DGK		
2									RETAINER AND BUSHING, Transmission Front Clutch
	04531285AB	1	T				DGK		
		1	J				DGK		
3									BUSHING, Front Clutch
	04617157	1	T				DGK		
		1	J				DGK		
-4									BUSHING, Rear Clutch
	04617159	1	T				DGK		
		1	J				DGK		
5									SEAL, Front Clutch Piston
	03515176	1	T				DGK		
		1	J				DGK		
6									SEAL, Front Piston Clutch
	04058487AB	1	T				DGK		
		1	J				DGK		
7									PISTON, Clutch
	04617154AB	1	T				DGK		
		1	J				DGK		
-8									CHECK BALL, Dia-.187
	00147483	1	T				DGK		
		1	J				DGK		
9									SPRING, Front Clutch
	03515054	1	T				DGK		
		1	J				DGK		
10									RETAINER, Transmission Front Clutch Piston Spring
	04617516AC	1	T				DGK		
		1	J				DGK		
-11									CHECK BALL, Dia-.187

GRAND CHEROKEE (WJ)

SERIES LINE
 H = Laredo T = JEEP - 2WD
 P = Limited J = JEEP - 4WD

BODY
 74 = SPORT UTILITY 4-DR

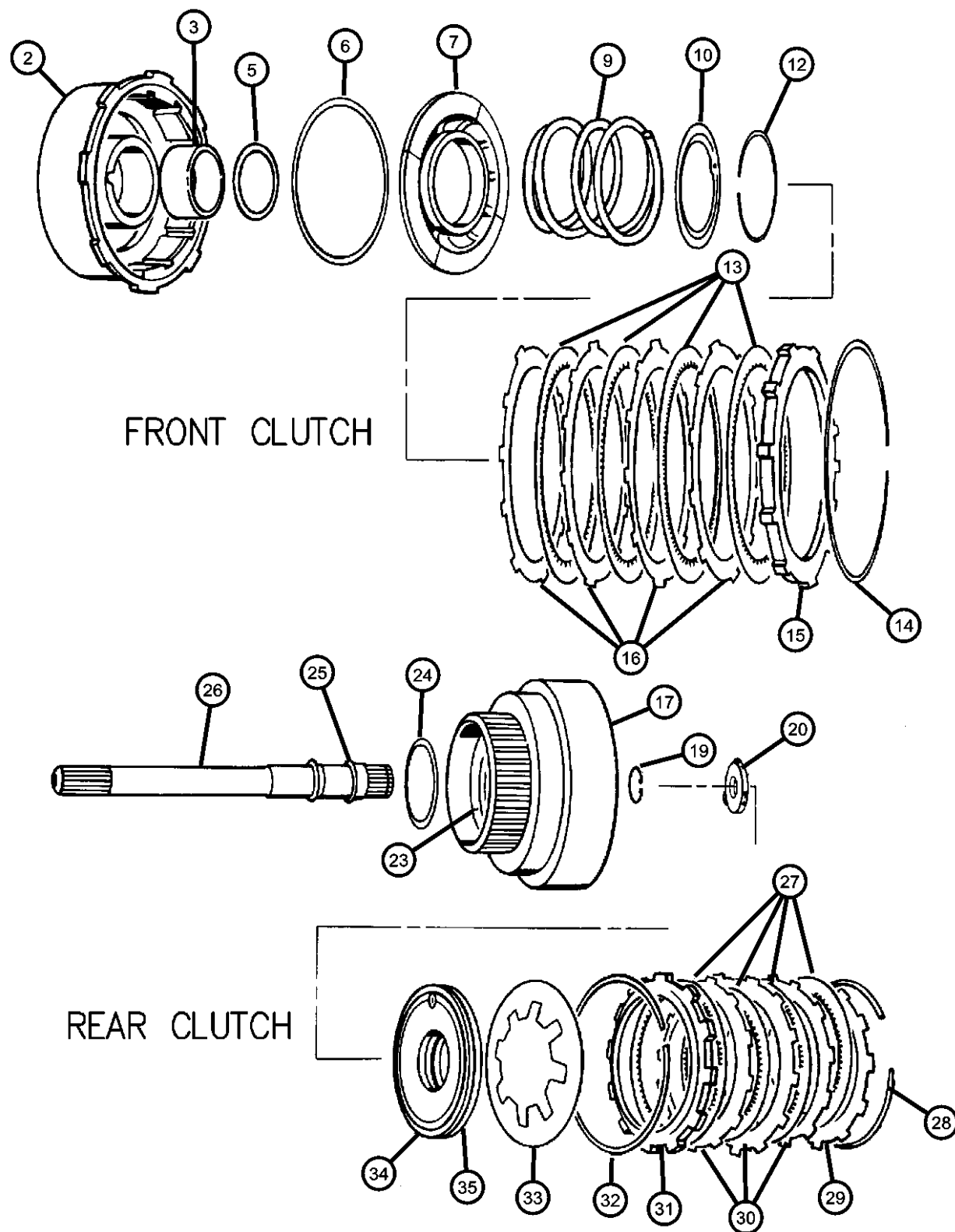
ENGINE
 ERH = ENGINE - 4.0L
 POWER TECH I-6
 EVA = ENGINE- 4.7L V8 MPI

TRANSMISSION
 DGK = TRANSMISSION - 4-SPD.
 AUTOMATIC, 42RE
 DGQ = TRANSMISSION-5SPD
 AUTOMATIC 5-45RFE
 DGO = ALL AUTOMATIC
 TRANSMISSIONS

AR = use ase required - = Non illustrated part

Gear Train 42RE [DGK]

Figure 42RE-410



ITEM	PART NUMBER	QTY	LINE	SERIES	BODY	ENGINE	TRANS	TRIM	DESCRIPTION
	00147483	1	T				DGK		
		1	J				DGK		
12	03410571	1	T				DGK		SNAP RING
		1	J				DGK		
13	04617362	4	T				DGK		DISC, Direct Clutch
		4	J				DGK		
14	03410571	1	T				DGK		SNAP RING
		1	J				DGK		
15									PLATE, Transmission Clutch Reaction
	04617176AB	1	T				DGK		
		1	J				DGK		
16	01942403AB	3	T				DGK		PLATE, Clutch Separator Without [V] Notch
		3	J				DGK		Without [V] Notch
	01942403AC	4	J				DGK		With [V] Notch
		4	T				DGK		With [V] Notch
17									RETAINER, Transmission Rear Clutch
	04505199	1	T				DGK		
		1	J				DGK		
-18									CHECK BALL, Dia-.187
	00147483	1	T				DGK		
		1	J				DGK		
19									SNAP RING, .890625
	06022859	1	T				DGK		
		1	J				DGK		
20									THRUST WASHER, Output Shaft, Gray .052
	04505185	1	T				DGK		
		1	J				DGK		
-21									THRUST WASHER, Output Shaft, Red .068

GRAND CHEROKEE (WJ)

SERIES LINE
 H = Laredo T = JEEP - 2WD
 P = Limited J = JEEP - 4WD

BODY
 74 = SPORT UTILITY 4-DR

ENGINE
 ERH = ENGINE - 4.0L
 POWER TECH I-6
 EVA = ENGINE- 4.7L V8 MPI

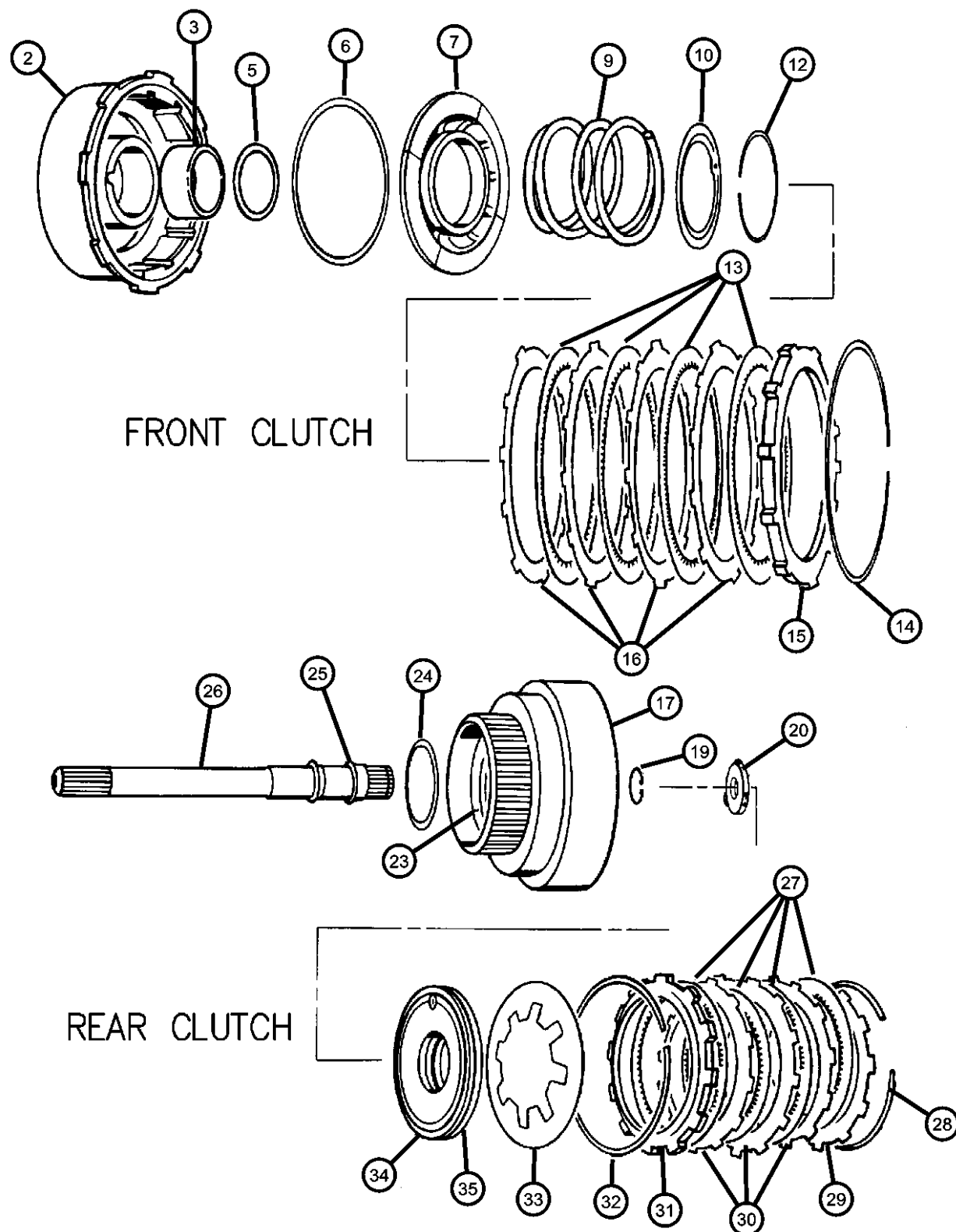
TRANSMISSION
 DGK = TRANSMISSION - 4-SPD.
 AUTOMATIC, 42RE
 DGQ = TRANSMISSION-5SPD
 AUTOMATIC 5-45RFE
 DGO = ALL AUTOMATIC
 TRANSMISSIONS

AR = use ase required - = Non illustrated part

2001 WJ

Gear Train 42RE [DGK]

Figure 42RE-410



ITEM	PART NUMBER	QTY	LINE	SERIES	BODY	ENGINE	TRANS	TRIM	DESCRIPTION
	04505186	1	T				DGK		
		1	J				DGK		
-22									THRUST WASHER, Output Shaft, Green .083
	04505187	1	T				DGK		
		1	J				DGK		
23									SEAL, Rear Clutch Retainer
	04617063	1	T				DGK		
		1	J				DGK		
24									THRUST WASHER, Front Clutch
	04617786	1	T				DGK		
		1	J				DGK		
25									SEAL, Input Shaft
	01401221AB	1	T				DGK		
		1	J				DGK		
26									INPUT SHAFT, Transmission
	04505189	1	T				DGK		
		1	J				DGK		
27									DISC, Clutch
	04713880	4	T				DGK		
		4	J				DGK		
28									SNAP RING
	04130761	1	T				DGK		
		1	J				DGK		
29									PLATE, Transmission Clutch Reaction
	04617176AB	1	T				DGK		
		1	J				DGK		
30									PLATE, Clutch Separator
	01942403AB	3	T				DGK		Without [V] Notch
		3	J				DGK		Without [V] Notch
	01942403AC	4	T				DGK		With [V] Notch
		4	J				DGK		With [V] Notch
31									PLATE, Clutch Pressure

GRAND CHEROKEE (WJ)

SERIES LINE
 H = Laredo T = JEEP - 2WD
 P = Limited J = JEEP - 4WD

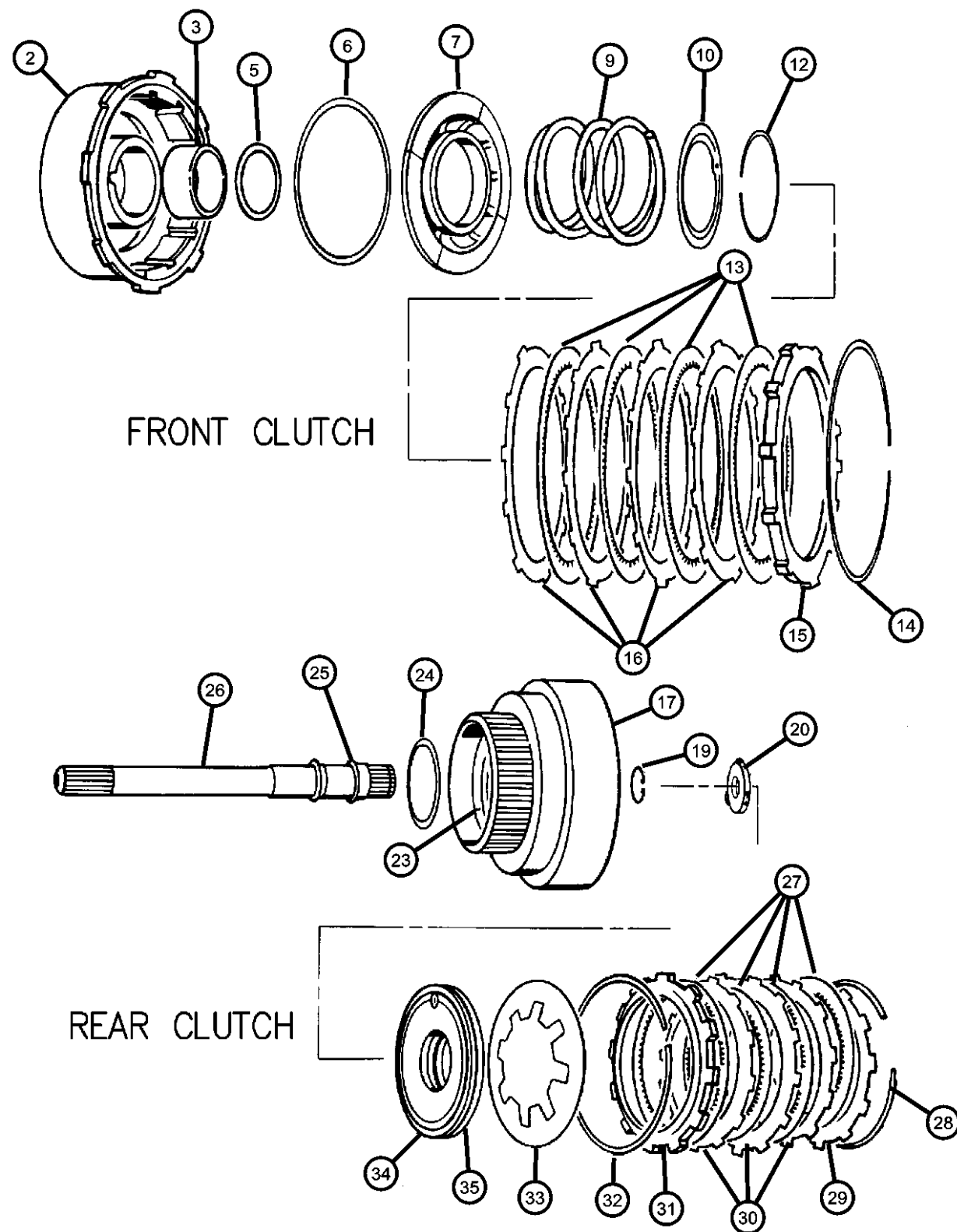
BODY
 74 = SPORT UTILITY 4-DR

ENGINE
 ERH = ENGINE - 4.0L
 POWER TECH I-6
 EVA = ENGINE- 4.7L V8 MPI

TRANSMISSION
 DGK = TRANSMISSION - 4-SPD.
 AUTOMATIC, 42RE
 DGQ = TRANSMISSION-5SPD
 AUTOMATIC 5-45RFE
 DGO = ALL AUTOMATIC
 TRANSMISSIONS

AR = use ase required - = Non illustrated part

**Gear Train 42RE [DGK]
Figure 42RE-410**



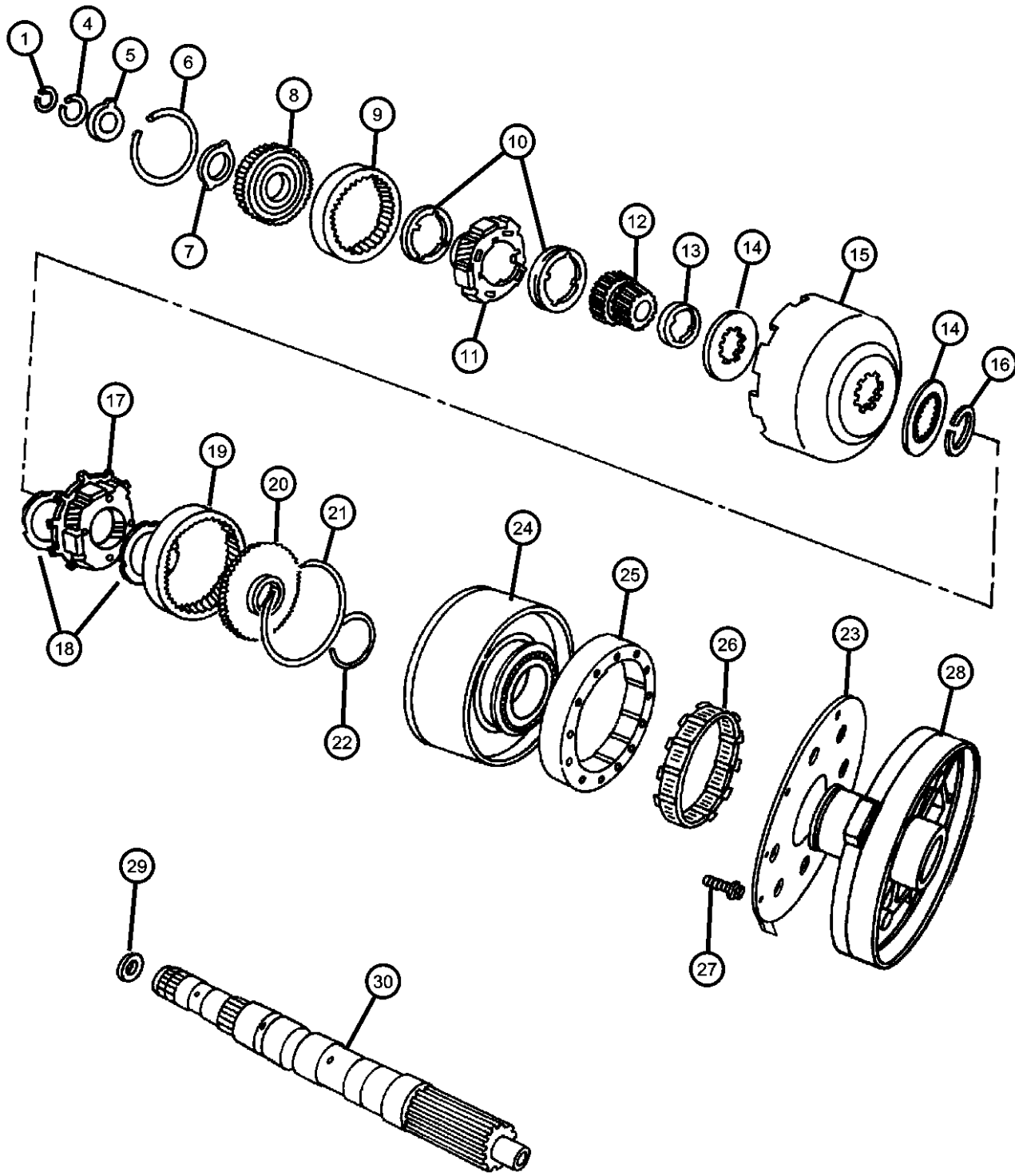
ITEM	PART NUMBER	QTY	LINE	SERIES	BODY	ENGINE	TRANS	TRIM	DESCRIPTION
	02466281	1	T				DGK		
		1	J				DGK		
32									SPRING, Rear Clutch
	02466283	1	T				DGK		
		1	J				DGK		
33									SPRING, Rear Clutch Piston
	04728487	1	T				DGK		
		1	J				DGK		
34									SEAL, Rear Clutch Piston
	02538695	1	T				DGK		
		1	J				DGK		
35									PISTON, Clutch
	03515716	1	T				DGK		
		1	J				DGK		

GRAND CHEROKEE (WJ)

SERIES	LINE	BODY	ENGINE	TRANSMISSION
H = Laredo	T = JEEP - 2WD	74 = SPORT UTILITY 4-DR	ERH = ENGINE - 4.0L POWER TECH I-6	DGK = TRANSMISSION - 4-SPD. AUTOMATIC, 42RE
P = Limited	J = JEEP - 4WD		EVA = ENGINE- 4.7L V8 MPI	DGQ = TRANSMISSION-5SPD AUTOMATIC 5-45RFE DGO = ALL AUTOMATIC TRANSMISSIONS

AR = use ase required - = Non illustrated part

**Gear Train and Intermediate Shaft 42RE [DGK]
Figure 42RE-420**



ITEM	PART NUMBER	QTY	LINE	SERIES	BODY	ENGINE	TRANS	TRIM	DESCRIPTION
1	06026289	1	T				DGK		SNAP RING, .946 ID
-2	06030938	1	J				DGK		SNAP RING
-3	06030404	1	T				DGK		SNAP RING, Output Shaft, 1.029 OD
4	06030576	1	T				DGK		SNAP RING, Annulus Gear, 1.375 ID
5	03681969	1	T				DGK		THRUST WASHER, Annulus Gear
6	06030938	1	J				DGK		SNAP RING
7	04617775	1	T				DGK		PLATE, Annulus Gear Thrust
8	02892477	1	J				DGK		SUPPORT, Annulus Gear
9	04617774	1	T				DGK		GEAR, Front Annulus
10	04130512	1	T				DGK		THRUST WASHER, Planetary Carrier
11	04130518	2	T				DGK		CARRIER, Planetary Pinion

GRAND CHEROKEE (WJ)

SERIES LINE
H = Laredo T = JEEP - 2WD
P = Limited J = JEEP - 4WD

BODY
74 = SPORT UTILITY 4-DR

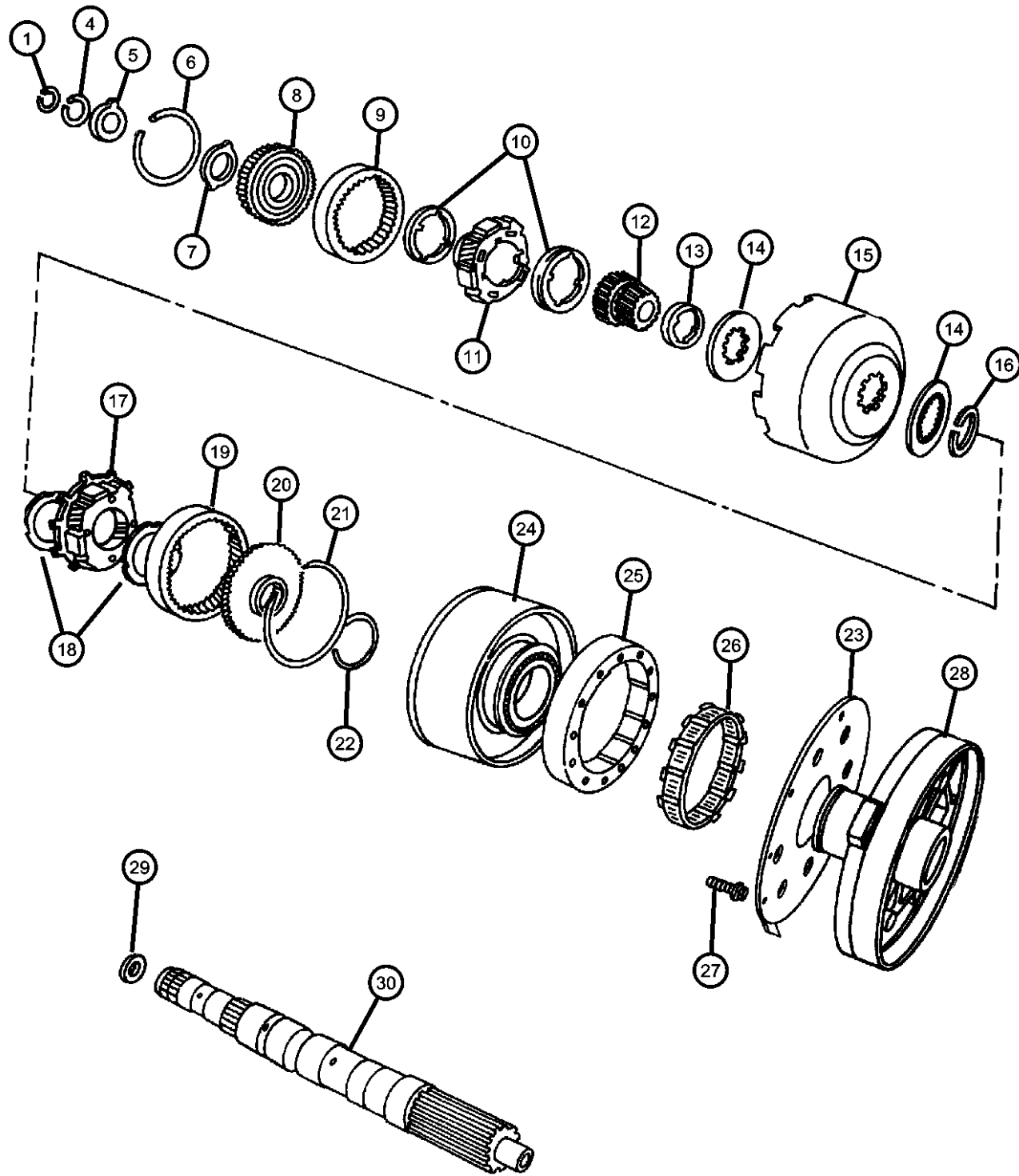
ENGINE
ERH = ENGINE - 4.0L
POWER TECH I-6
EVA = ENGINE- 4.7L V8 MPI

TRANSMISSION
DGK = TRANSMISSION - 4-SPD.
AUTOMATIC, 42RE
DGQ = TRANSMISSION-5SPD
AUTOMATIC 5-45RFE
DGO = ALL AUTOMATIC
TRANSMISSIONS

AR = use ase required - = Non illustrated part

2001 WJ

**Gear Train and Intermediate Shaft 42RE [DGK]
Figure 42RE-420**



ITEM	PART NUMBER	QTY	LINE	SERIES	BODY	ENGINE	TRANS	TRIM	DESCRIPTION
	04130514	1	T				DGK		
		1	J				DGK		
12	04130685	1	T				DGK		GEAR, Sun
		1	J				DGK		
13	04130736	1	T				DGK		SPACER, Sun Gear
		1	J				DGK		
14	04471566	2	T				DGK		PLATE, Transmission Module
		2	J				DGK		
15	04531288	1	T				DGK		SHELL, Sun Gear
		1	J				DGK		
16	01942439	1	T				DGK		SNAP RING, Sun Gear Shell
		1	J				DGK		
17	04431438	1	T				DGK		CARRIER, Planetary Pinion
		1	J				DGK		
18	03681935	1	T				DGK		THRUST WASHER, Planetary Carrier
		1	J				DGK		
19	03743184	1	T				DGK		GEAR, Rear Annulus
		1	J				DGK		
20	03515501	1	T				DGK		SUPPORT, Annulus Gear
		1	J				DGK		
21	01942444	1	T				DGK		SNAP RING
		1	J				DGK		
22									SNAP RING, Reverse Drum

GRAND CHEROKEE (WJ)

SERIES LINE
H = Laredo T = JEEP - 2WD
P = Limited J = JEEP - 4WD

BODY
74 = SPORT UTILITY 4-DR

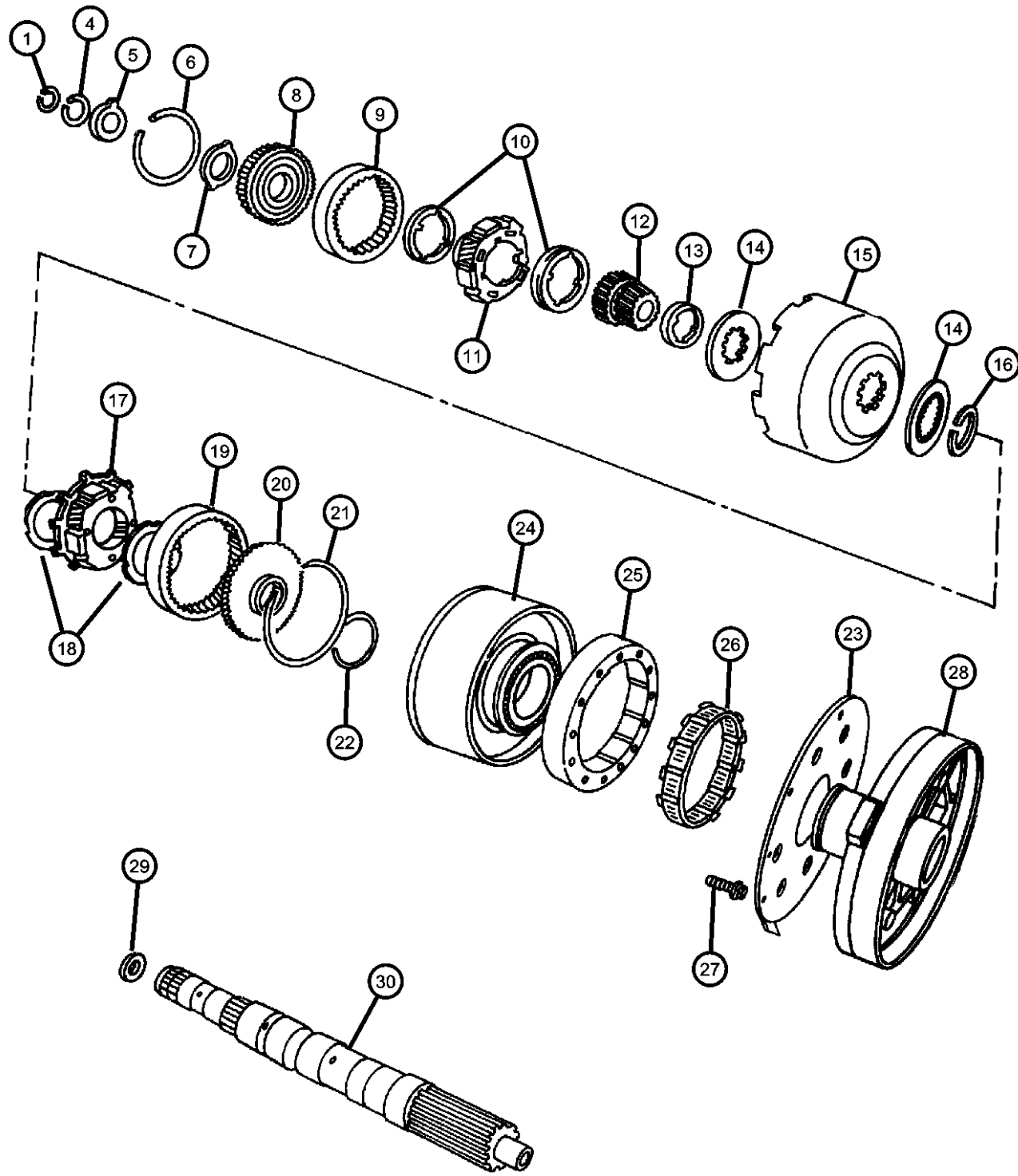
ENGINE
ERH = ENGINE - 4.0L
POWER TECH I-6
EVA = ENGINE- 4.7L V8 MPI

TRANSMISSION
DGK = TRANSMISSION - 4-SPD.
AUTOMATIC, 42RE
DGQ = TRANSMISSION-5SPD
AUTOMATIC 5-45RFE
DGO = ALL AUTOMATIC
TRANSMISSIONS

AR = use ase required - = Non illustrated part

2001 WJ

**Gear Train and Intermediate Shaft 42RE [DGK]
Figure 42RE-420**



ITEM	PART NUMBER	QTY	LINE	SERIES	BODY	ENGINE	TRANS	TRIM	DESCRIPTION
	06033480	1	T				DGK		
		1	J				DGK		
23									GASKET, Overdrive Piston Retainer
	04471564	1	T				DGK		
		1	J				DGK		
24									DRUM PACKAGE, Transmission
	04637956	1	T				DGK		
		1	J				DGK		
25									CAM, Overrunning Clutch
	04431690	1	T				DGK		
		1	J				DGK		
26									CLUTCH, Overrunning
	04431432	1	T				DGK		
		1	J				DGK		
27									SCREW, Hex Flange Head, .25-28x.875
	06033616	5	T				DGK		
		5	J				DGK		
28									RETAINER, Transmission Overdrive Clutch Piston
	04617246	1	T				DGK		
		1	J				DGK		
29									PLATE, Transmission Module
	04471566	2	T				DGK		
		2	J				DGK		
30									INTERMEDIATE SHAFT, Transmission
	04617604	1	T				DGK		
		1	J				DGK		

GRAND CHEROKEE (WJ)

SERIES LINE
H = Laredo T = JEEP - 2WD
P = Limited J = JEEP - 4WD

BODY
74 = SPORT UTILITY 4-DR

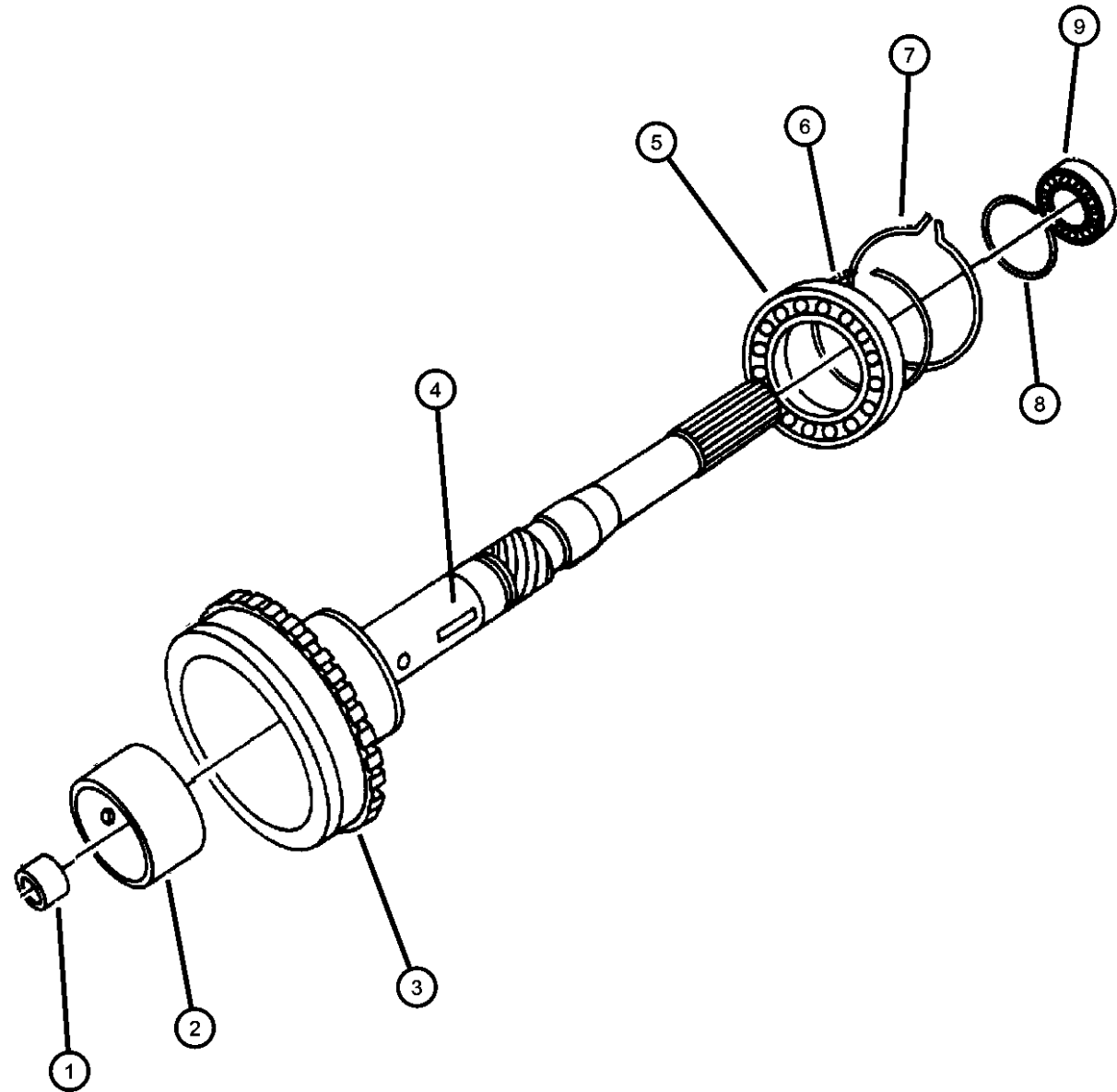
ENGINE
ERH = ENGINE - 4.0L
POWER TECH I-6
EVA = ENGINE- 4.7L V8 MPI

TRANSMISSION
DGK = TRANSMISSION - 4-SPD.
AUTOMATIC, 42RE
DGQ = TRANSMISSION-5SPD
AUTOMATIC 5-45RFE
DGO = ALL AUTOMATIC
TRANSMISSIONS

AR = use ase required - = Non illustrated part

2001 WJ

**Output Shaft 42RE [DGK]
Figure 42RE-430**



ITEM	PART NUMBER	QTY	LINE	SERIES	BODY	ENGINE	TRANS	TRIM	DESCRIPTION
1		1							BUSHING, (NOT SERVICED)
2		1							BUSHING, (NOT SERVICED)
3									SHAFT, Output
	04798536	1	J				DGK		
	05003232AA	1	T				DGK		
4	05003232AA	1							KEY, Shaft, (NOT SERVICED)
5									BEARING, Output Shaft
	04461008	1	T				DGK		
		1	J				DGK		
6									SNAP RING, .946 ID
	06026289	1	T				DGK		
		1	J				DGK		
7									SNAP RING, Output Shaft, 1.029 OD
	06030404	1	T				DGK		
		1	J				DGK		
8									SNAP RING
	06030938	1	T				DGK		
		1	J				DGK		
9									BEARING, Output Shaft
	04461008	1	T				DGK		
		1	J				DGK		

GRAND CHEROKEE (WJ)

SERIES LINE
H = Laredo T = JEEP - 2WD
P = Limited J = JEEP - 4WD

BODY
74 = SPORT UTILITY 4-DR

ENGINE
ERH = ENGINE - 4.0L
POWER TECH I-6
EVA = ENGINE- 4.7L V8 MPI

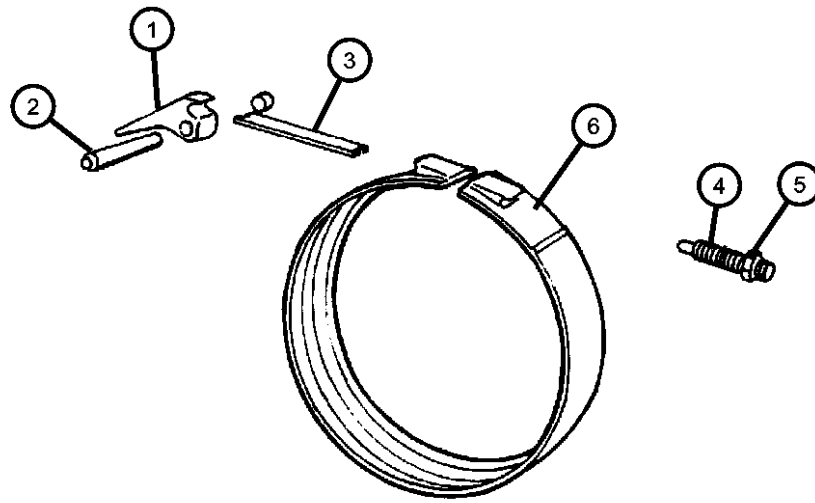
TRANSMISSION
DGK = TRANSMISSION - 4-SPD.
AUTOMATIC, 42RE
DGQ = TRANSMISSION-5SPD
AUTOMATIC 5-45RFE
DGO = ALL AUTOMATIC
TRANSMISSIONS

AR = use ase required - = Non illustrated part

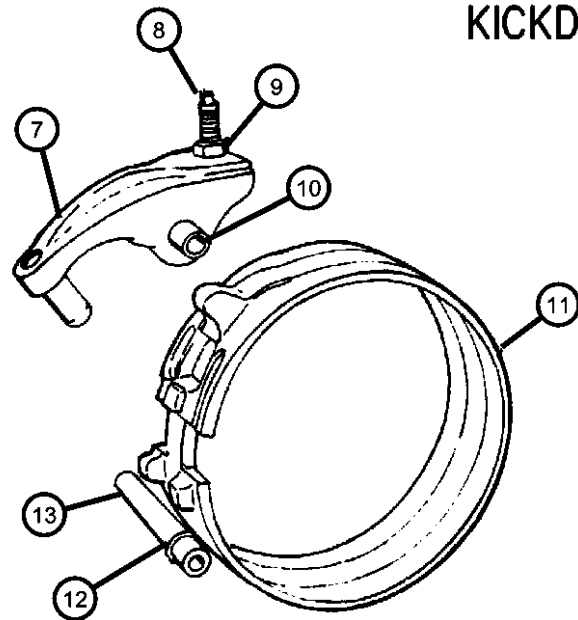
2001 WJ

**Bands 42RE [DGK]
Figure 42RE-510**

ITEM	PART NUMBER	QTY	LINE	SERIES	BODY	ENGINE	TRANS	TRIM	DESCRIPTION
NOTS: Sales Codes [DGK] = 42RE 4 Speed Automatic Transmission									
1	52118264	1	T				DGK		LEVER, Kickdown
		1	J				DGK		
2	04531181	1	T				DGK		SHAFT, Band Lever
		1	J				DGK		
3	03515084	1	T				DGK		STRUT, Kickdown Band
		1	J				DGK		
4	06036141AA	1	T				DGK		SCREW
		1	J				DGK		
5	00124934	1	T				DGK		NUT, Hex Jam, .50-20
		1	J				DGK		
6	04617849	1	T				DGK		BAND, Kickdown
		1	J				DGK		
7	04202764AB	1	T				DGK		LEVER, Reverse Band
		1	J				DGK		
8	02538472	1	T				DGK		SCREW, Trans Reverse Band Adjusting, .375-24-1.88
		1	J				DGK		
9	00114942	1	T				DGK		NUT, Hex, .375-24
		1	J				DGK		
10	03410102	1	T				DGK		SHAFT, Reverse Band
		1	J				DGK		
11	04431406	1	T				DGK		BAND, Reverse



KICKDOWN BAND



DOUBLE WRAP REVERSE BAND

GRAND CHEROKEE (WJ)

SERIES LINE
H = Laredo T = JEEP - 2WD
P = Limited J = JEEP - 4WD

BODY
74 = SPORT UTILITY 4-DR

ENGINE
ERH = ENGINE - 4.0L
POWER TECH I-6
EVA = ENGINE- 4.7L V8 MPI

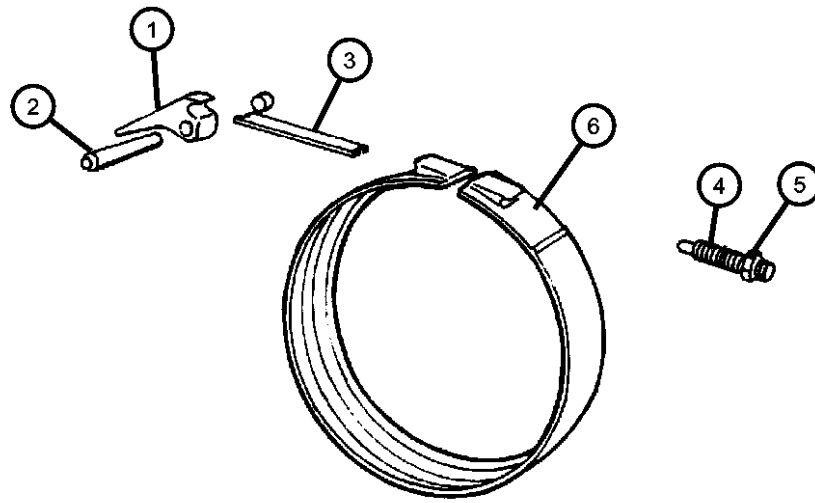
TRANSMISSION
DGK = TRANSMISSION - 4-SPD.
AUTOMATIC, 42RE
DGQ = TRANSMISSION-5SPD
AUTOMATIC 5-45RFE
DGO = ALL AUTOMATIC
TRANSMISSIONS

AR = use ase required - = Non illustrated part

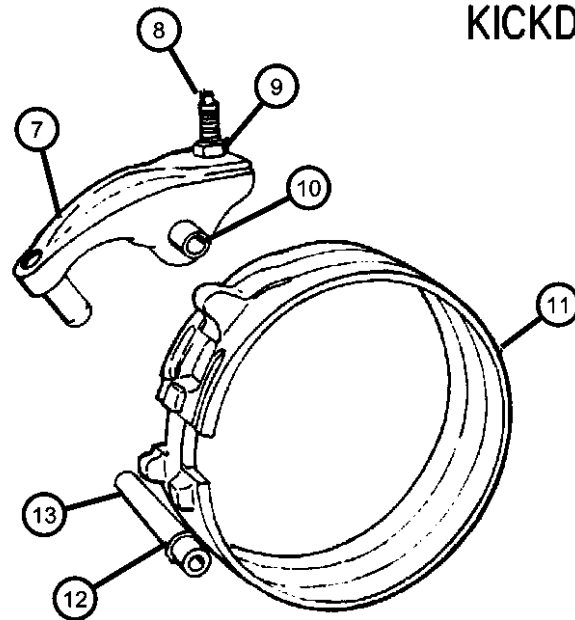
2001 WJ

**Bands 42RE [DGK]
Figure 42RE-510**

ITEM	PART NUMBER	QTY	LINE	SERIES	BODY	ENGINE	TRANS	TRIM	DESCRIPTION
12		1	J				DGK		O RING, Steering Gear
	06030657	1	T				DGK		
		1	J				DGK		
13		1	T				DGK		SHAFT, Reverse Band
	03410102	1	T				DGK		
		1	J				DGK		



KICKDOWN BAND



DOUBLE WRAP REVERSE BAND

GRAND CHEROKEE (WJ)

SERIES LINE
H = Laredo T = JEEP - 2WD
P = Limited J = JEEP - 4WD

BODY
74 = SPORT UTILITY 4-DR

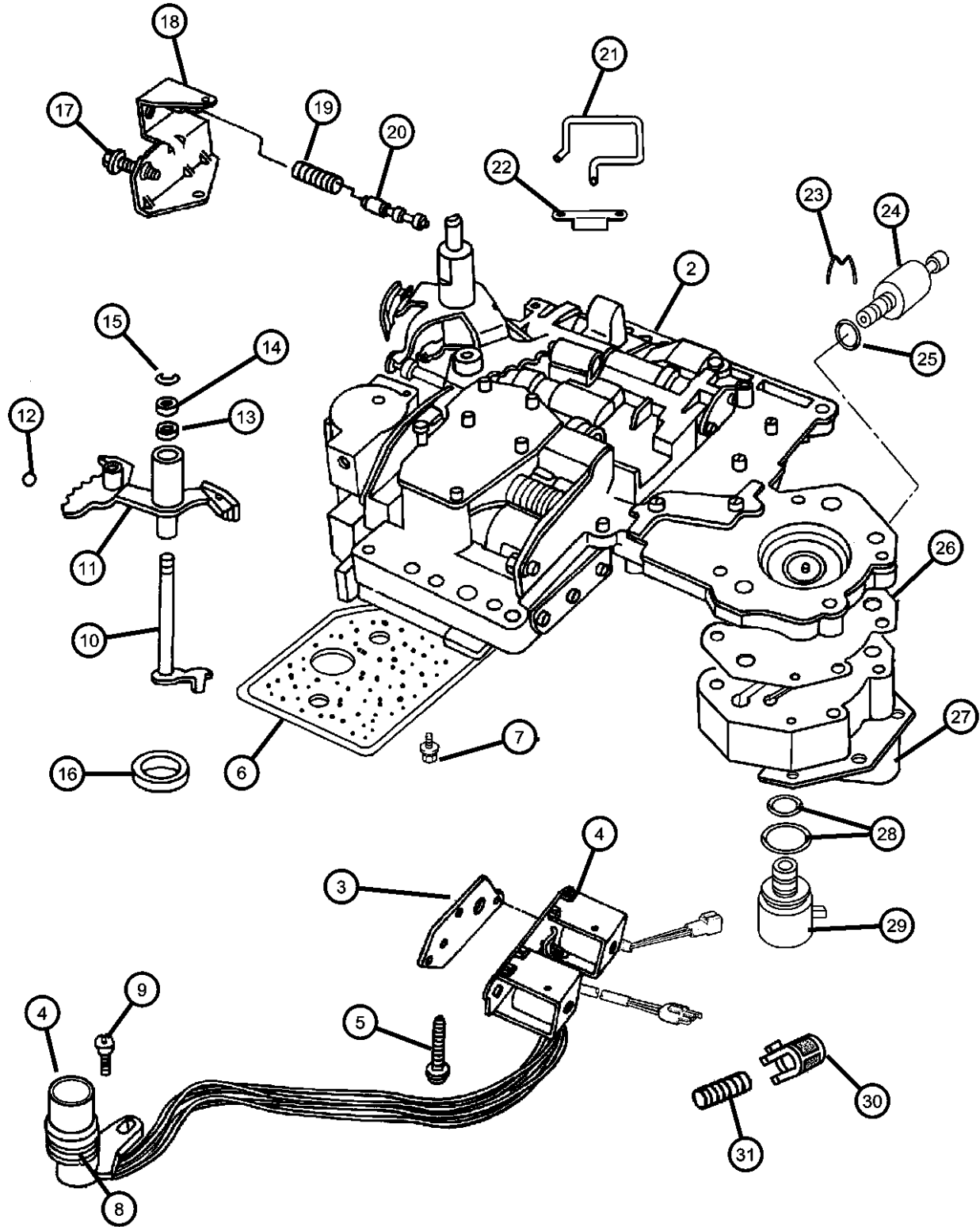
ENGINE
ERH = ENGINE - 4.0L
POWER TECH I-6
EVA = ENGINE- 4.7L V8 MPI

TRANSMISSION
DGK = TRANSMISSION - 4-SPD.
AUTOMATIC, 42RE
DGQ = TRANSMISSION-5SPD
AUTOMATIC 5-45RFE
DGO = ALL AUTOMATIC
TRANSMISSIONS

AR = use ase required - = Non illustrated part

2001 WJ

**Valve Body 42RE [DGK]
Figure 42RE-710**



ITEM	PART NUMBER	QTY	LINE	SERIES	BODY	ENGINE	TRANS	TRIM	DESCRIPTION
------	-------------	-----	------	--------	------	--------	-------	------	-------------

NOTES: Sales Codes
[DGK] = 42RE 4 Speed Automatic Transmission

-1									SEAL AND GASKET PACKAGE, Valve Body and Servo
	04863933AB	1	T				DGK		
		1	J				DGK		
2									BODY, Transfer Plate
	52119633AB	1	T				DGK		
		1	J				DGK		
3									GASKET, Transmission Solenoid
	04617216	1	T				DGK		
		1	J				DGK		
4									SOLENOID, Transmission Overdrive
	52118500AB	1	T				DGK		
		1	J				DGK		
5									BOLT, Valve Body, .25-20x1.75
	00181071	3	T				DGK		
		3	J				DGK		
6									FILTER, Valve Body
	52118789	1	T				DGK		
		1	J				DGK		
7									SCREW AND WASHER, Oil Filter Mounting, Fillester Head .190-24x2.500
	06033826	3	T				DGK		
		3	J				DGK		
8									O RING, Solenoid Wiring, Transmission
	06034748	1	T				DGK		
		1	J				DGK		
9									SCREW, Tapping, .19-24x.75
	06033985	1	T				DGK		
		1	J				DGK		
10									LEVER, Throttle Valve
	03681227	1	T				DGK		
		1	J				DGK		

GRAND CHEROKEE (WJ)

SERIES LINE
H = Laredo T = JEEP - 2WD
P = Limited J = JEEP - 4WD

BODY
74 = SPORT UTILITY 4-DR

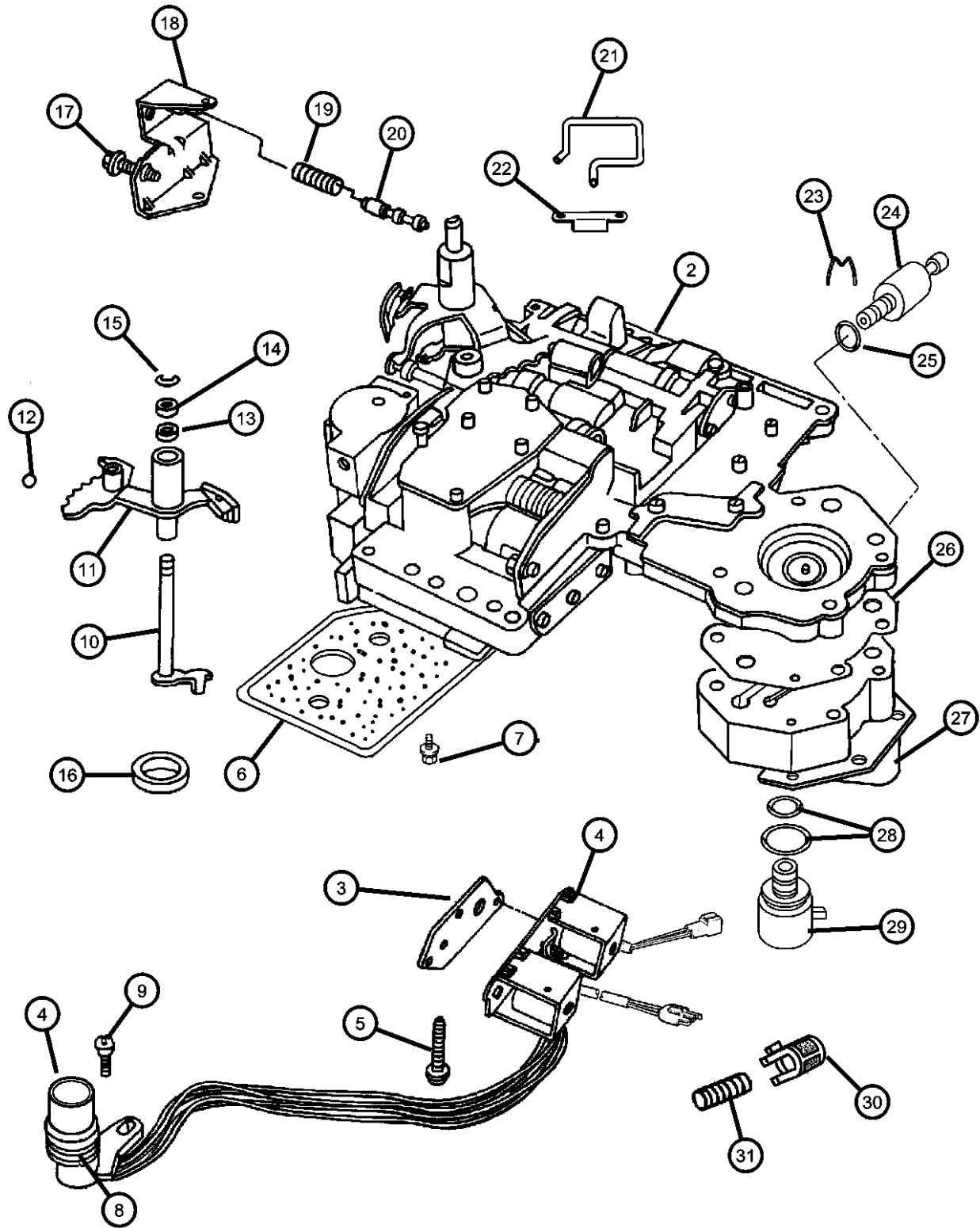
ENGINE
ERH = ENGINE - 4.0L
POWER TECH I-6
EVA = ENGINE- 4.7L V8 MPI

TRANSMISSION
DGK = TRANSMISSION - 4-SPD.
AUTOMATIC, 42RE
DGQ = TRANSMISSION-5SPD
AUTOMATIC 5-45RFE
DGO = ALL AUTOMATIC
TRANSMISSIONS

AR = use ase required - = Non illustrated part

2001 WJ

Valve Body 42RE [DGK]
Figure 42RE-710



ITEM	PART NUMBER	QTY	LINE	SERIES	BODY	ENGINE	TRANS	TRIM	DESCRIPTION
11									LEVER, Manual Valve
	04617439	1	T				DGK		
		1	J				DGK		
12									BALL, Manual Lever Detent, .343 Diameter
	00147488	1	T				DGK		
		1	J				DGK		
13									SEAL, Valve Lever Shift
	02466548	1	T				DGK		
		1	J				DGK		
14									WASHER, Manual Valve Lever
	02538062	1	T				DGK		
		1	J				DGK		
15									SNAP RING
	06035208	2	T				DGK		
		2	J				DGK		
16									SEAL, Manual Shift Valve, 1.25 OD
	04505098	1	T				DGK		
		1	J				DGK		
17									SCREW, Cap Head Lock, .312-24x1.25
	06030609	1	T				DGK		
		1	J				DGK		
18									BRACKET, Valve Body Switch
	04617010	1	T				DGK		
		1	J				DGK		
19									SPRING, Switch Valve
	04130492	1	T				DGK		
		1	J				DGK		
20									VALVE, Trans Lockup Switch
	04505036	1	T				DGK		
		1	J				DGK		
21									TUBE, Boost Valve
	04617008	1	T				DGK		

GRAND CHEROKEE (WJ)

SERIES LINE
H = Laredo T = JEEP - 2WD
P = Limited J = JEEP - 4WD

BODY
74 = SPORT UTILITY 4-DR

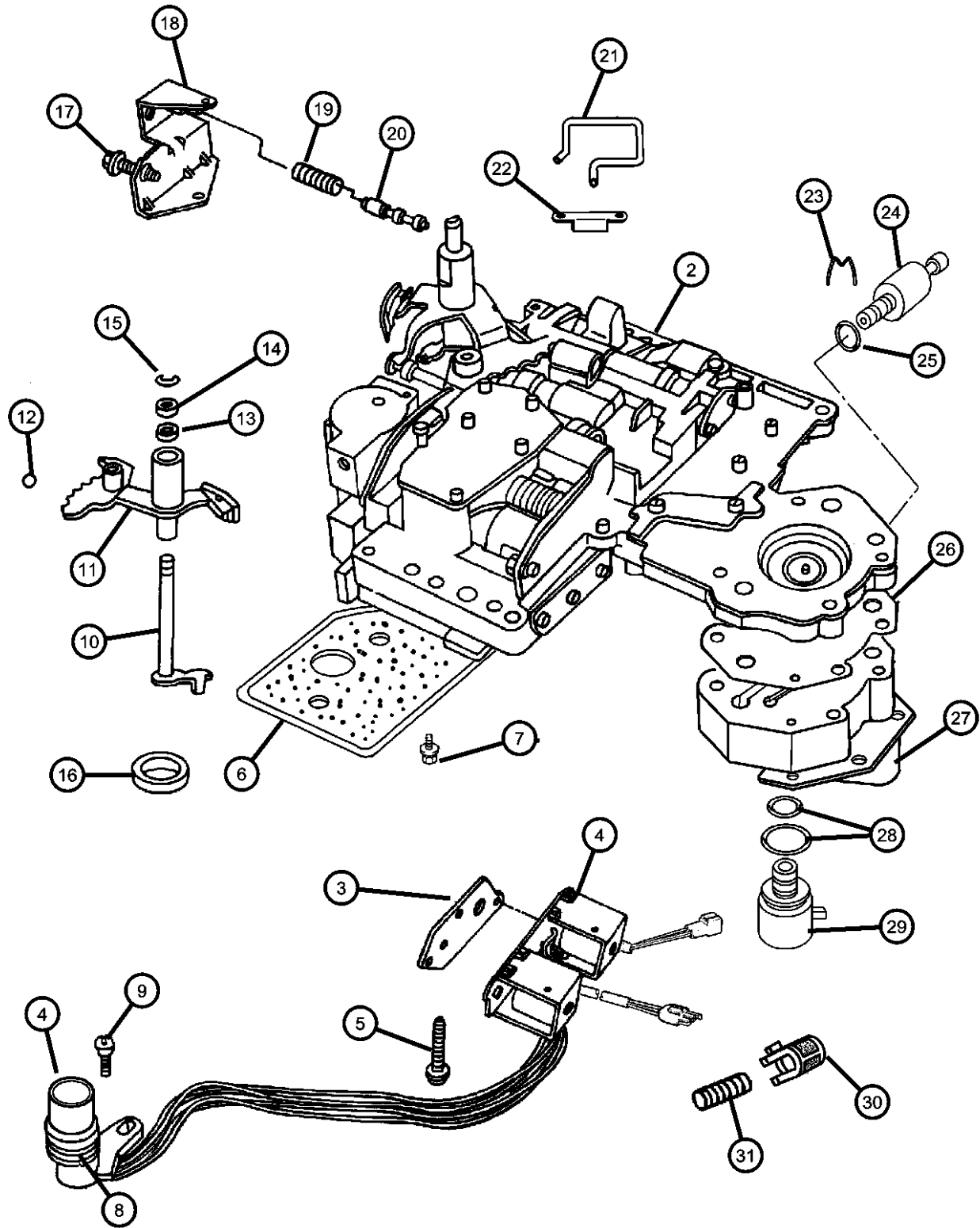
ENGINE
ERH = ENGINE - 4.0L
POWER TECH I-6
EVA = ENGINE- 4.7L V8 MPI

TRANSMISSION
DGK = TRANSMISSION - 4-SPD.
AUTOMATIC, 42RE
DGQ = TRANSMISSION-5SPD
AUTOMATIC 5-45RFE
DGO = ALL AUTOMATIC
TRANSMISSIONS

AR = use ase required - = Non illustrated part

2001 WJ

Valve Body 42RE [DGK]
Figure 42RE-710



ITEM	PART NUMBER	QTY	LINE	SERIES	BODY	ENGINE	TRANS	TRIM	DESCRIPTION
22		1	J				DGK		RETAINER, Boost Valve Oil Supply Tube
	52117958	1	T				DGK		
		1	J				DGK		
23									CLIP, Transmission Governor Transducer
	04617219	1	T				DGK		
		1	J				DGK		
24									TRANSDUCER, Pressure Sensor
	56028196AA	1	T				DGK		
		1	J				DGK		
25		1							O RING, Pressure Switch, (NOT SERVICED)
26									GASKET, Transmission Solenoid
	04617216	1	T				DGK		
		1	J				DGK		
27									RETAINER, Transmission Governor Solenoid
	04617211AB	1	T				DGK		
		1	J				DGK		
28									O RING PACKAGE, Valve Body, Transmission
	04723549	1	T				DGK		
		1	J				DGK		
29									SOLENOID, Transmission Governor
	04617210	1	T				DGK		
		1	J				DGK		
30									SCREEN, Transmission Regulator Valve
	03878313	1	T				DGK		
		1	J				DGK		
31									SPRING, Limit Valve
	04348907	1	T				DGK		
		1	J				DGK		

GRAND CHEROKEE (WJ)

SERIES LINE
H = Laredo T = JEEP - 2WD
P = Limited J = JEEP - 4WD

BODY
74 = SPORT UTILITY 4-DR

ENGINE
ERH = ENGINE - 4.0L
POWER TECH I-6
EVA = ENGINE- 4.7L V8 MPI

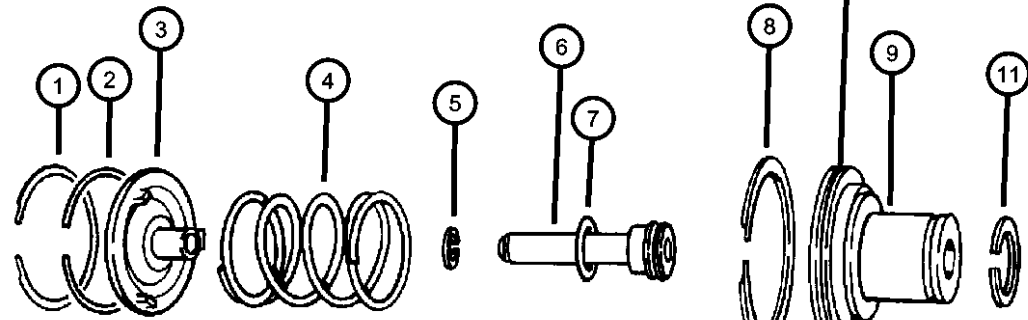
TRANSMISSION
DGK = TRANSMISSION - 4-SPD.
AUTOMATIC, 42RE
DGQ = TRANSMISSION-5SPD
AUTOMATIC 5-45RFE
DGO = ALL AUTOMATIC
TRANSMISSIONS

AR = use ase required - = Non illustrated part

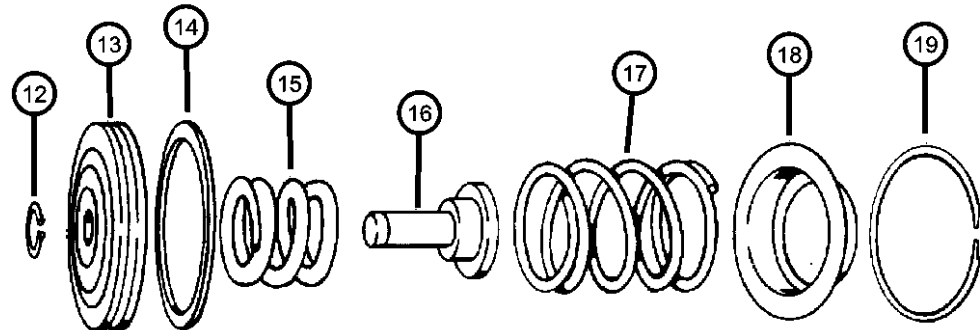
2001 WJ

Servos 42RE (DGK)
Figure 42RE-720

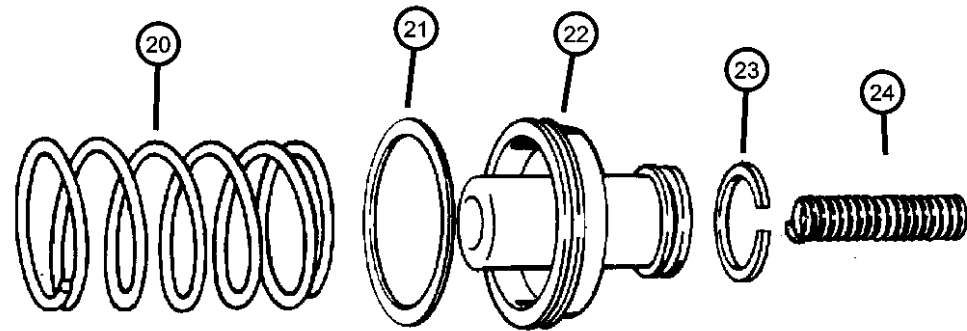
ITEM	PART NUMBER	QTY	LINE	SERIES	BODY	ENGINE	TRANS	TRIM	DESCRIPTION
Notes: DGK = 42RE Automatic Transmission									
1	06028863	1	T				DGK		SNAP RING, Kickdown, 2.377
		1	J				DGK		
2	04295966	1	T				DGK		SEAL, Servo Guide
		1	J				DGK		
3	03410332	1	T				DGK		GUIDE, Kickdown Servo
		1	J				DGK		
4	04058885	1	T				DGK		SPRING, Kickdown Servo Piston
		1	J				DGK		
5	06031392	1	T				DGK		SNAP RING, Brake Master Cylinder
		1	J				DGK		
6	04058780	1	T				DGK		ROD, Kickdown Servo Piston
		1	J				DGK		
7	06028864	1	T				DGK		O RING, Kick Down Servo
		1	J				DGK		
8	04295966	1	T				DGK		SEAL, Servo Guide
		1	J				DGK		
9	04058777	1	T				DGK		PISTON, Kickdown Servo
		1	J				DGK		
10	06028864	1	T				DGK		O RING, Kick Down Servo
		1	J				DGK		
11	03743033	1	T				DGK		SEAL, Kickdown Servo
12									SNAP RING, .435 ID



KICKDOWN SERVO



LOW AND REVERSE SERVO



ACCUMULATOR PISTON AND SPRING

GRAND CHEROKEE (WJ)

SERIES LINE
H = Laredo T = JEEP - 2WD
P = Limited J = JEEP - 4WD

BODY
74 = SPORT UTILITY 4-DR

ENGINE
ERH = ENGINE - 4.0L
POWER TECH I-6
EVA = ENGINE- 4.7L V8 MPI

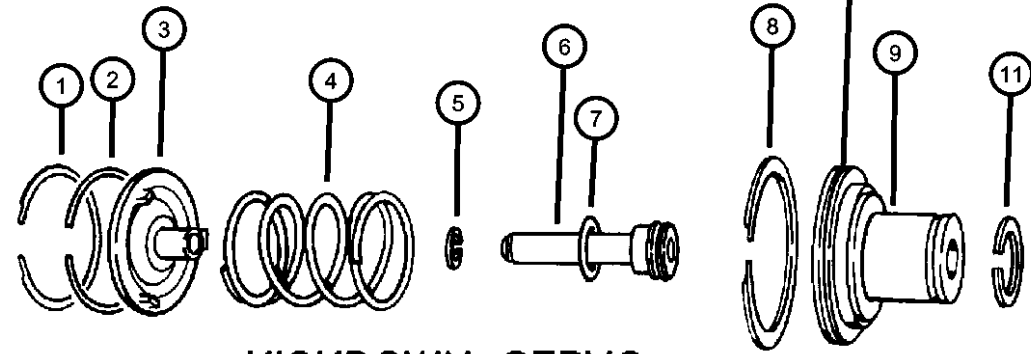
TRANSMISSION
DGK = TRANSMISSION - 4-SPD.
AUTOMATIC, 42RE
DGQ = TRANSMISSION-5SPD
AUTOMATIC 5-45RFE
DGO = ALL AUTOMATIC
TRANSMISSIONS

AR = use ase required - = Non illustrated part

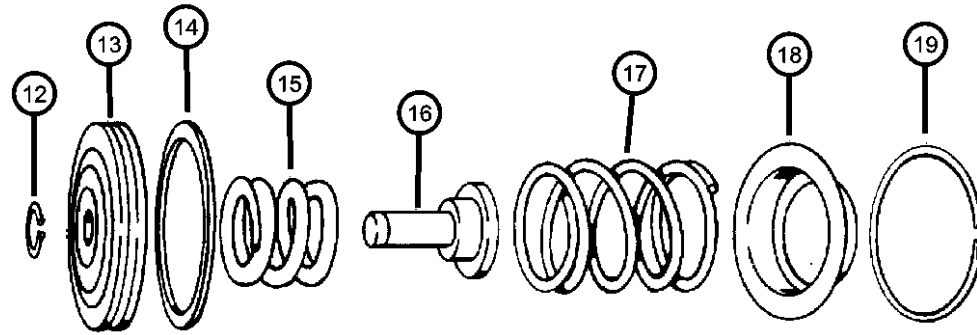
2001 WJ

Servos 42RE (DGK)
Figure 42RE-720

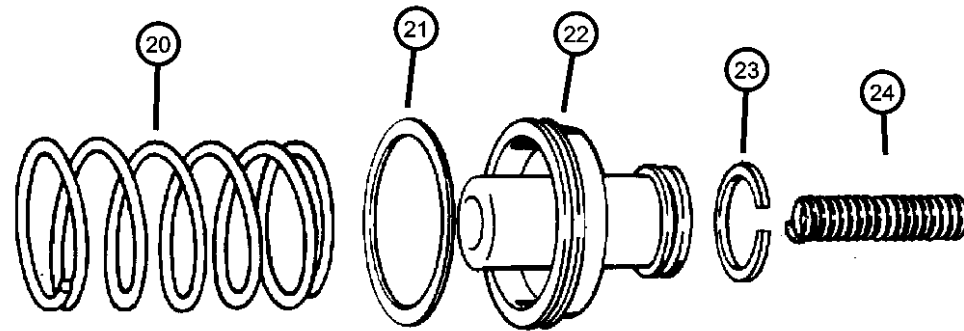
ITEM	PART NUMBER	QTY	LINE	SERIES	BODY	ENGINE	TRANS	TRIM	DESCRIPTION
	06027153	1	T				DGK		
	52118744	1	J				DGK		
13									PISTON, Reverse Servo
	52118744	1	T				DGK		
		1	J				DGK		
14	04202864	1	T				DGK		SEAL, Reverse Servo Piston
15									SPRING, Reverse Servo Piston
	04130824	1	T				DGK		
		1	J				DGK		
16									PLUG, Reverse Servo Piston
	52118740AB	1	T				DGK		
		1	J				DGK		
17									SPRING, Reverse Servo Piston
	02801274	1	T				DGK		
		1	J				DGK		
18									RETAINER, Transmission Rear Clutch
	02464463	1	T				DGK		
		1	J				DGK		
19									SNAP RING
	02464464	1	T				DGK		
		1	J				DGK		
20									SPRING, Transmission Accumulator
	04531259	1	T				DGK		
		1	J				DGK		
21									SEAL, Piston Accumulator
	03743013	1	J				DGK		
		1	T				DGK		
22									PISTON, Accumulator
	03743650	1	T				DGK		
		1	J				DGK		
23									SEAL, Piston Accumulator
	03743010	1	T				DGK		



KICKDOWN SERVO



LOW AND REVERSE SERVO



ACCUMULATOR PISTON AND SPRING

GRAND CHEROKEE (WJ)

SERIES LINE
H = Laredo T = JEEP - 2WD
P = Limited J = JEEP - 4WD

BODY
74 = SPORT UTILITY 4-DR

ENGINE
ERH = ENGINE - 4.0L
POWER TECH I-6
EVA = ENGINE- 4.7L V8 MPI

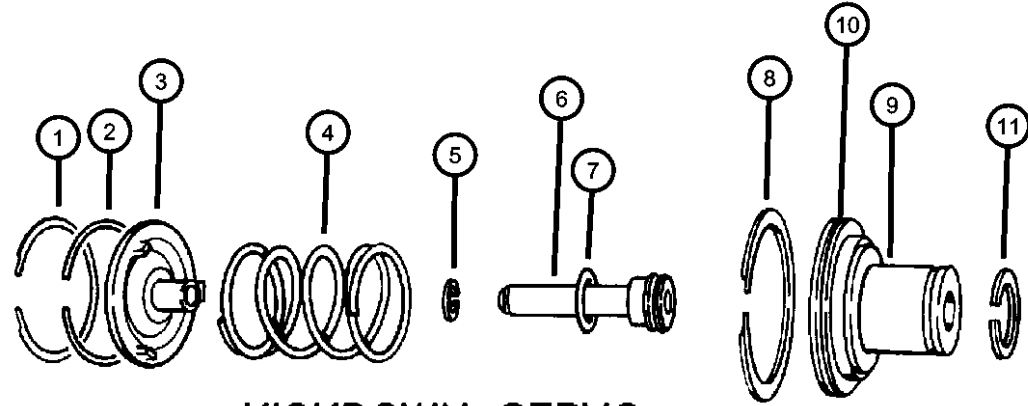
TRANSMISSION
DGK = TRANSMISSION - 4-SPD.
AUTOMATIC, 42RE
DGQ = TRANSMISSION-5SPD
AUTOMATIC 5-45RFE
DGO = ALL AUTOMATIC
TRANSMISSIONS

AR = use ase required - = Non illustrated part

2001 WJ

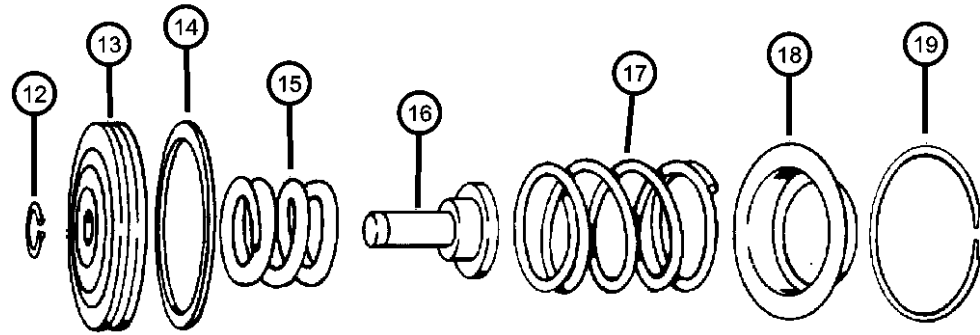
Servos 42RE (DGK)
Figure 42RE-720

ITEM	PART NUMBER	QTY	LINE	SERIES	BODY	ENGINE	TRANS	TRIM	DESCRIPTION
------	-------------	-----	------	--------	------	--------	-------	------	-------------

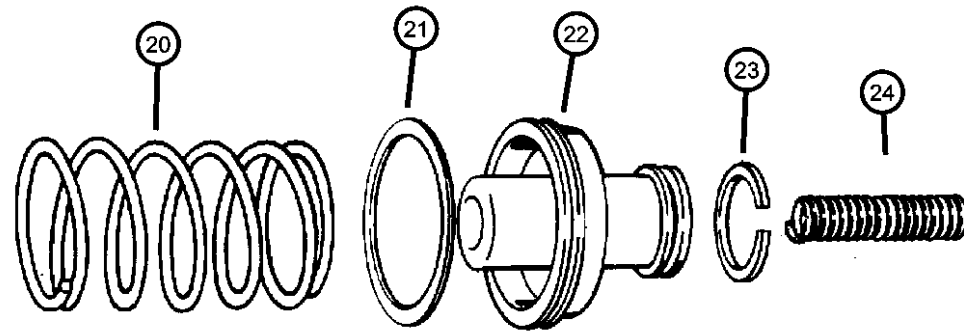


KICKDOWN SERVO

24		1	J				DGK		SPRING, Accumulator Piston
	04617529	1	T				DGK		
		1	J				DGK		



LOW AND REVERSE SERVO



ACCUMULATOR PISTON AND SPRING

GRAND CHEROKEE (WJ)

SERIES LINE
H = Laredo T = JEEP - 2WD
P = Limited J = JEEP - 4WD

BODY
74 = SPORT UTILITY 4-DR

ENGINE
ERH = ENGINE - 4.0L
POWER TECH I-6
EVA = ENGINE- 4.7L V8 MPI

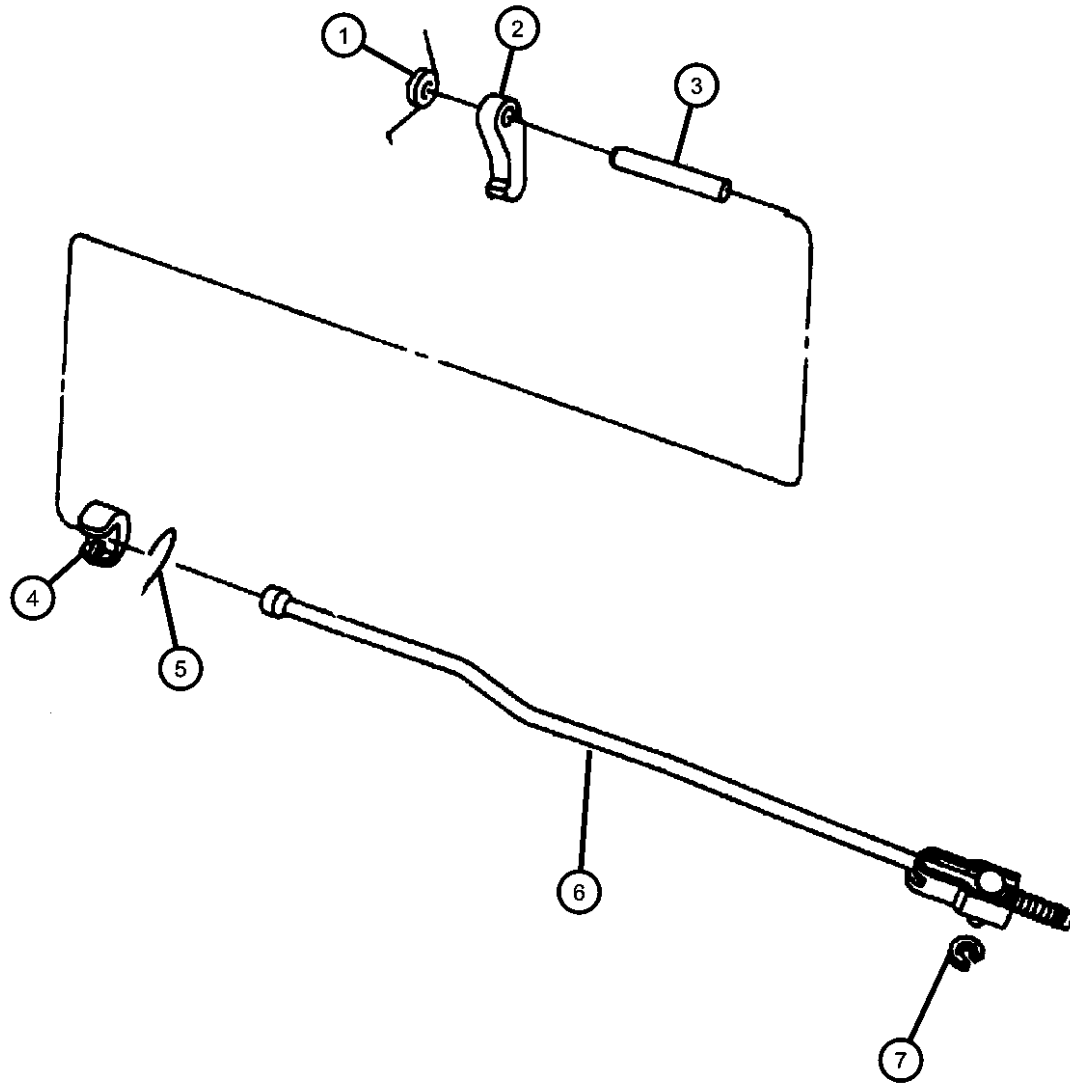
TRANSMISSION
DGK = TRANSMISSION - 4-SPD.
AUTOMATIC, 42RE
DGQ = TRANSMISSION-5SPD
AUTOMATIC 5-45RFE
DGO = ALL AUTOMATIC
TRANSMISSIONS

AR = use ase required - = Non illustrated part

2001 WJ

**Parking Sprag 42RE [DGK]
Figure 42RE-730**

ITEM	PART NUMBER	QTY	LINE	SERIES	BODY	ENGINE	TRANS	TRIM	DESCRIPTION
NOTES: Sales Codes [DGK] = 42RE 4 Speed Automatic Transmission									
1	02466909	1	T				DGK		SPRING, Parking Sprag
		1	J				DGK		
2	04471415	1	T				DGK		SPRAG, Transmission Parking
		1	J				DGK		
3	02466892	1	T				DGK		SHAFT, Parking Sprag
		1	J				DGK		
4	02538042	1	T				DGK		PLUG, Parking Sprag
		1	J				DGK		
5	02538034	1	T				DGK		SNAP RING, Transmission
		1	J				DGK		
6	04431748	1	T				DGK		ROD, Parking Sprag
		1	J				DGK		
7	06035256	1	T				DGK		SNAP RING, Rod
		1	J				DGK		



GRAND CHEROKEE (WJ)

SERIES LINE
H = Laredo T = JEEP - 2WD
P = Limited J = JEEP - 4WD

BODY
74 = SPORT UTILITY 4-DR

ENGINE
ERH = ENGINE - 4.0L
POWER TECH I-6
EVA = ENGINE- 4.7L V8 MPI

TRANSMISSION
DGK = TRANSMISSION - 4-SPD.
AUTOMATIC, 42RE
DGQ = TRANSMISSION-5SPD
AUTOMATIC 5-45RFE
DGO = ALL AUTOMATIC
TRANSMISSIONS

AR = use ase required - = Non illustrated part

2001 WJ

**Overdrive Gear Train 42RE [DGK]
Figure 42RE-1010**

ITEM	PART NUMBER	QTY	LINE	SERIES	BODY	ENGINE	TRANS	TRIM	DESCRIPTION
1	04740774	1	T				DGK		PLATE PACKAGE, Transmission Module
2	05015107AA	1	T				DGK		GEAR, Overdrive Sun
3	04798520	1	T				DGK		CARRIER, O/Drive Planet Pinion
4	04461124	1	T				DGK		RACE, Overrunning Clutch
5	04461014	1	T				DGK		THRUST BEARING, Ovedrive Third Position
6	04461015	1	T				DGK		CLUTCH, Overdrive Overrunning
7	04761010	1	T				DGK		GEAR, Overdrive Annulus
8	04461059	1	T				DGK		SNAP RING, 5.25 OD
9	04461060	2	T				DGK		SNAP RING, 6.00 OD
10	04461040	1	T				DGK		DRUM, Automatic Transmission
11	04461063	1	T				DGK		SNAP RING, 2.1875 OD
12	04461027	1	T				DGK		SPRING, Direct Clutch

GRAND CHEROKEE (WJ)

SERIES LINE
H = Laredo T = JEEP - 2WD
P = Limited J = JEEP - 4WD

BODY
74 = SPORT UTILITY 4-DR

ENGINE
ERH = ENGINE - 4.0L
POWER TECH I-6
EVA = ENGINE- 4.7L V8 MPI

TRANSMISSION
DGK = TRANSMISSION - 4-SPD.
AUTOMATIC, 42RE
DGQ = TRANSMISSION-5SPD
AUTOMATIC 5-45RFE
DGO = ALL AUTOMATIC
TRANSMISSIONS

AR = use ase required - = Non illustrated part

2001 WJ

**Overdrive Gear Train 42RE [DGK]
Figure 42RE-1010**

ITEM	PART NUMBER	QTY	LINE	SERIES	BODY	ENGINE	TRANS	TRIM	DESCRIPTION
13		1	J				DGK		HUB, Direct Clutch
	04461072	1	T				DGK		
		1	J				DGK		
14		1	T				DGK		THRUST BEARING, Overdrive
	04446724	1	T				DGK		
		1	J				DGK		
15									PLATE, Transmission Clutch Reaction
	04461030	1	T				DGK		
		1	J				DGK		
16									DISC, Direct Clutch
	04461042	6	T				DGK		
		6	J				DGK		
17									PLATE, Transmission Clutch Reaction
	04461054	5	T				DGK		
		5	J				DGK		
18									PLATE, Transmission Clutch Reaction
	04461031	1	T				DGK		
		1	J				DGK		
19									SPRING, Direct Clutch
	04461032	1	T				DGK		
		1	J				DGK		
20									SNAP RING, 1.875" OD
	04461064	1	T				DGK		
		1	J				DGK		
21									FILTER, Overdrive Clutch
	04412583	1	T				DGK		
		1	J				DGK		
22									RETAINER, Transmission Overdrive Clutch Piston
	04617246	1	T				DGK		
		1	J				DGK		
23									PISTON, Overdrive Clutch

GRAND CHEROKEE (WJ)

SERIES LINE
H = Laredo T = JEEP - 2WD
P = Limited J = JEEP - 4WD

BODY
74 = SPORT UTILITY 4-DR

ENGINE
ERH = ENGINE - 4.0L
POWER TECH I-6
EVA = ENGINE- 4.7L V8 MPI

TRANSMISSION
DGK = TRANSMISSION - 4-SPD.
AUTOMATIC, 42RE
DGQ = TRANSMISSION-5SPD
AUTOMATIC 5-45RFE
DGO = ALL AUTOMATIC
TRANSMISSIONS

AR = use ase required - = Non illustrated part

2001 WJ

**Overdrive Gear Train 42RE [DGK]
Figure 42RE-1010**

ITEM	PART NUMBER	QTY	LINE	SERIES	BODY	ENGINE	TRANS	TRIM	DESCRIPTION
	52118599	1	T				DGK		
		1	J				DGK		
24	06033479	6	T				DGK		BOLT, Hex Head, .25-28x1-5/8
		6	J				DGK		
25	04431697	1	T				DGK		SEAL, Overdrive Clutch Piston
		1	J				DGK		
26	04431696	1	T				DGK		SEAL, Overdrive Clutch Piston
		1	J				DGK		
27									PLATE, Transmission O/Drive Clutch
	04431585	1	T				DGK		.123"-.125" Thick
	04431586	1	T				DGK		.153"-.155" Thick
	04431587	1	T				DGK		.183"-.185" Thick
	04431588	1	T				DGK		.213"-.215" Thick
	04431590	1	T				DGK		.243"-.245" Thick
	04431731	1	T				DGK		.138"-.140" Thick
	04431732	1	T				DGK		.168"-.170" Thick
	04431733	1	T				DGK		.198"-.200" Thick
	04431734	1	T				DGK		.228"-.245" Thick
	04431735	1	T				DGK		.108"-.110" Thick
28									SPACER, Intermediate Shaft, 1.58mm
	04431916	1	T				DGK		
		1	J				DGK		
-29									SPACER, Intermediate Shaft, .175
	04431917	1	T				DGK		
		1	J				DGK		
-30									SPACER, Intermediate Shaft, .193
	04431918	1	T				DGK		
		1	J				DGK		
-31									SPACER, Intermediate Shaft, .211

GRAND CHEROKEE (WJ)

SERIES LINE
H = Laredo T = JEEP - 2WD
P = Limited J = JEEP - 4WD

BODY
74 = SPORT UTILITY 4-DR

ENGINE
ERH = ENGINE - 4.0L
POWER TECH I-6
EVA = ENGINE- 4.7L V8 MPI

TRANSMISSION
DGK = TRANSMISSION - 4-SPD.
AUTOMATIC, 42RE
DGQ = TRANSMISSION-5SPD
AUTOMATIC 5-45RFE
DGO = ALL AUTOMATIC
TRANSMISSIONS

AR = use ase required - = Non illustrated part

2001 WJ

**Overdrive Gear Train 42RE [DGK]
Figure 42RE-1010**

ITEM	PART NUMBER	QTY	LINE	SERIES	BODY	ENGINE	TRANS	TRIM	DESCRIPTION
	04431919	1	T				DGK		
		1	J				DGK		
32	04461082	1	T				DGK		SNAP RING, Overdrive Clutch
		1	J				DGK		
33	04461048	1	T				DGK		PLATE, Transmission Clutch Reaction
		1	J				DGK		
34	04461047	2	T				DGK		PLATE, Transmission Clutch Reaction
		2	J				DGK		
35	04461181	3	T				DGK		DISC, Direct Clutch
		3	J				DGK		
36	04461033	1	T				DGK		PLATE, Transmission Clutch Reaction
		1	J				DGK		
37	04461066	1	T				DGK		SPRING, Overdrive Clutch
		1	J				DGK		
38	04461065	1	T				DGK		SNAP RING, 6.50 OD
		1	J				DGK		

GRAND CHEROKEE (WJ)

SERIES LINE
H = Laredo T = JEEP - 2WD
P = Limited J = JEEP - 4WD

BODY
74 = SPORT UTILITY 4-DR

ENGINE
ERH = ENGINE - 4.0L
POWER TECH I-6
EVA = ENGINE- 4.7L V8 MPI

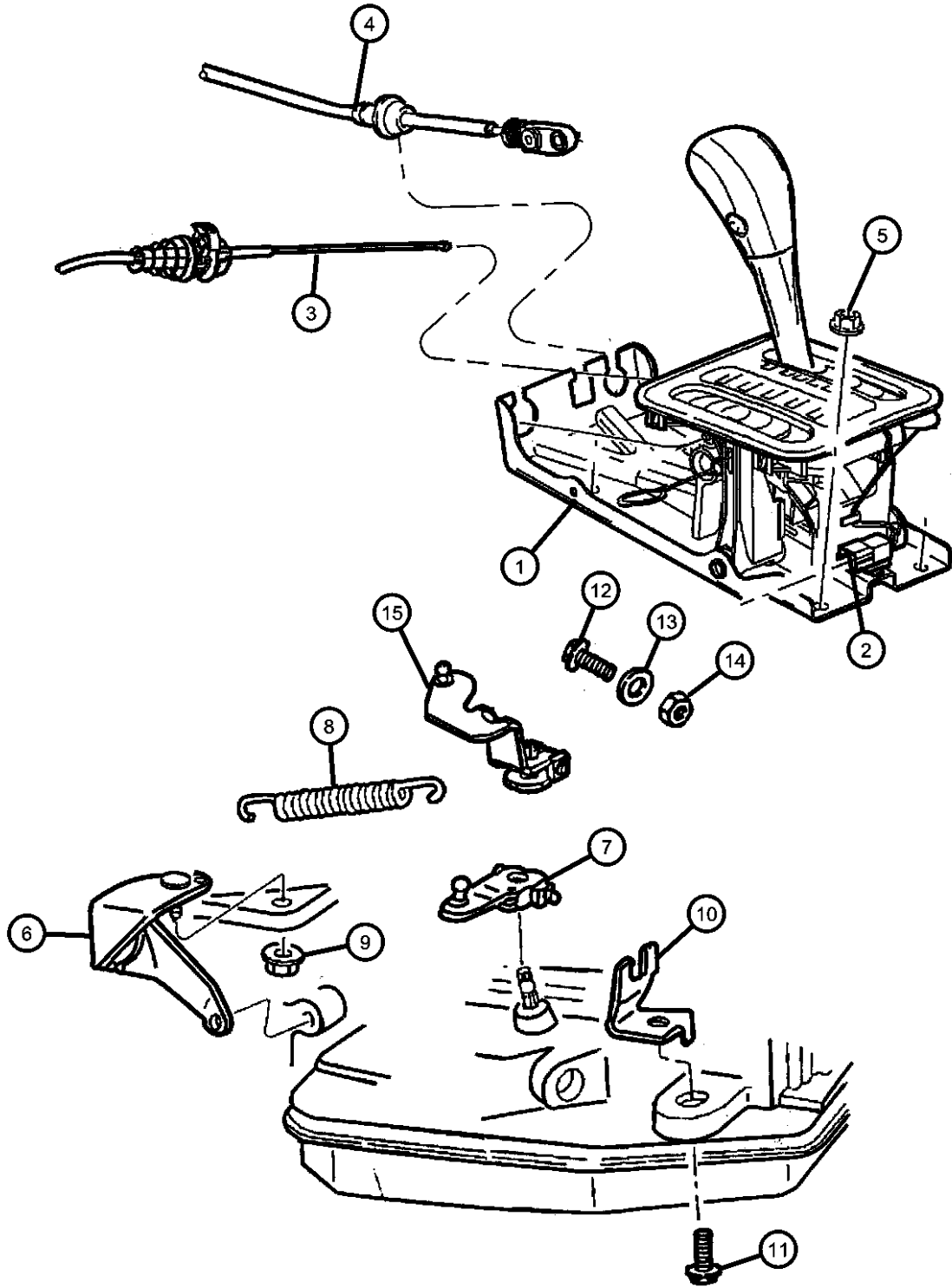
TRANSMISSION
DGK = TRANSMISSION - 4-SPD.
AUTOMATIC, 42RE
DGQ = TRANSMISSION-5SPD
AUTOMATIC 5-45RFE
DGO = ALL AUTOMATIC
TRANSMISSIONS

AR = use ase required - = Non illustrated part

2001 WJ

**Gearshift Controls 42RE [DGK]
Figure 42RE-1210**

ITEM	PART NUMBER	QTY	LINE	SERIES	BODY	ENGINE	TRANS	TRIM	DESCRIPTION
------	-------------	-----	------	--------	------	--------	-------	------	-------------



NOTES: Sales Codes
[DGK] = 42RE 4 Speed Automatic Transmission
[ER0] = All 4.0L Gas Engines

1									HOUSING AND LEVER, Shifter
	52104147AB	1	T				DG0		
	52104149AC	1	J				DG0		With [DHP]
	52104151AB	1	J				DG0		With [DHF] Without [DSB]
	52104374AB	1	J				DG0		With [DHF] With[DSB]
2									CONNECTOR, Wiring
	05013117AA	1	J				DG0		Without Vari-Lok
		1	J				DG0		With Vari-Lok
3	52104054AB	1					DG0		CABLE, Park Interlock
4	52104060AC	1					DG0		CABLE, Gearshift Control
5	06101695	4							NUT, Hex Flange Lock, M8x1.25
6	52104057	1					DGK		BRACKET, Shift Cable
7	52104058	1					DGK		LEVER, Manual Control
8	53009055	1					DGK		SPRING, Throttle Valve Return
9	06028114	1					DGK		NUT, Hex, .437-14
10	52078867	1				ER0			BRACKET, Cable
11	00181112	1					DGK		SCREW AND WASHER, .375-16x1.00
12	00181065	1				ER0			BOLT, Hex Head, .25-20x1.00
13	00138165	1				ER0			WASHER, Lock
14	J0120375	1				ER0			NUT, Hex, .250-20
15									LEVER, Throttle Valve
	03681227	1	T				DGK		
		1	J				DGK		

GRAND CHEROKEE (WJ)

SERIES LINE
H = Laredo T = JEEP - 2WD
P = Limited J = JEEP - 4WD

BODY
74 = SPORT UTILITY 4-DR

ENGINE
ERH = ENGINE - 4.0L
POWER TECH I-6
EVA = ENGINE- 4.7L V8 MPI

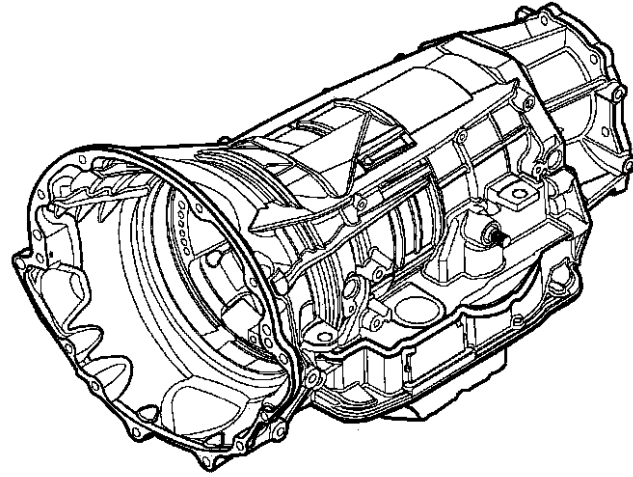
TRANSMISSION
DGK = TRANSMISSION - 4-SPD.
AUTOMATIC, 42RE
DGQ = TRANSMISSION-5SPD
AUTOMATIC 5-45RFE
DGO = ALL AUTOMATIC
TRANSMISSIONS

AR = use ase required - = Non illustrated part

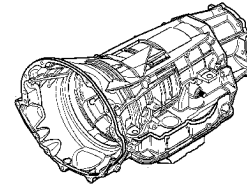
2001 WJ

Group - 45RFE

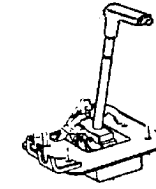
Automatic Transmission Multi-Speed



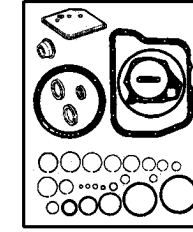
45RFE-100
Transmission Assembly



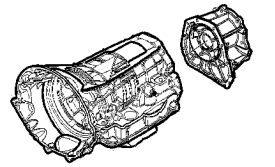
45RFE-1200
Gearshift Controls



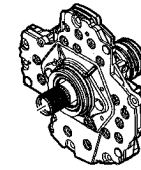
45RFE-1300
Seal and Shim Packages



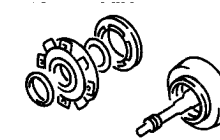
45RFE-200
Case and Extension



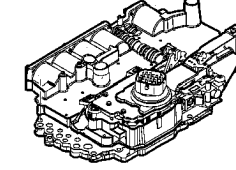
45RFE-300
Oil Pump



45RFE-400
Gear Train



45RFE-700
Valve Body



Group - 45RFE Automatic Transmission Multi-Speed

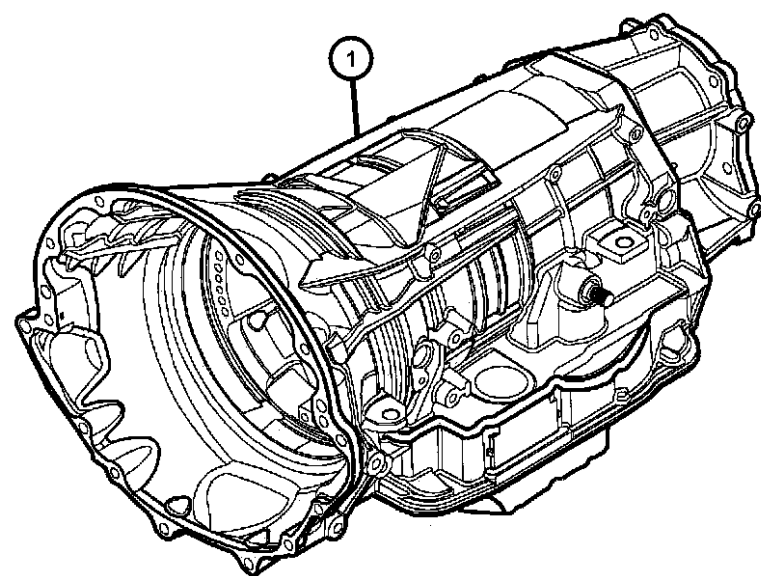
Illustration Title	Group-Fig. No.
Transmission Assembly	
Transmission 45RFE [DGQ].....	Fig. 45RFE - 110
Case and Extension	
Case and Related Parts 45RFE [DGQ].....	Fig. 45RFE - 210
Adapter 45RFE [DGQ].....	Fig. 45RFE - 220
Oil Pump	
Oil Pump [45RFE] [DGQ]	Fig. 45RFE - 310
Gear Train	
Input Shaft 45RFE [DGQ]	Fig. 45RFE - 410
Underdrive 45RFE [DGQ]	Fig. 45RFE - 420
Overdrive 45RFE [DGQ].....	Fig. 45RFE - 430
2/4 Clutch Retainer 45RFE [DGQ].....	Fig. 45RFE - 440
Input/Reverse Planetary 45RFE [DGQ]	Fig. 45RFE - 450
Reaction Annulus/Sun Gear 45RFE [DGQ]	Fig. 45RFE - 460
Low / Reverse Clutch	Fig. 45RFE - 470
Valve Body	
Valve Body 45RFE [DGQ]	Fig. 45RFE - 710
Parking Sprag 45RFE [DGQ].....	Fig. 45RFE - 730
Gearshift Controls	
Gearshift Controls 45RFE [DGQ]	Fig. 45RFE - 1210
Seal and Shim Packages	
LR Clutch 45RFE [DGQ].....	Fig. 45RFE - 1302
Input Clutch Plate 45RFE [DGQ].....	Fig. 45RFE - 1303
OVERHAUL 45RFE [DGQ].....	Fig. 45RFE - 1304
Input Clutch 45RFE [DGQ]	Fig. 45RFE - 1305
Planetary Plate 45RFE [DGQ]	Fig. 45RFE - 1306
2&4 Clutch [DGQ]	Fig. 45RFE - 1310

**Transmission 45RFE [DGQ]
Figure 45RFE-110**

ITEM	PART NUMBER	QTY	LINE	SERIES	BODY	ENGINE	TRANS	TRIM	DESCRIPTION
------	-------------	-----	------	--------	------	--------	-------	------	-------------

NOTES: Sales Codes
[DGQ] = 45RFE Multi Speed Automatic Transmission

1									TRANSMISSION KIT, Automatic
	05018205AA	1	T				DGQ		52119098AB
	05018284AA	1	J				DGQ		52119099AB



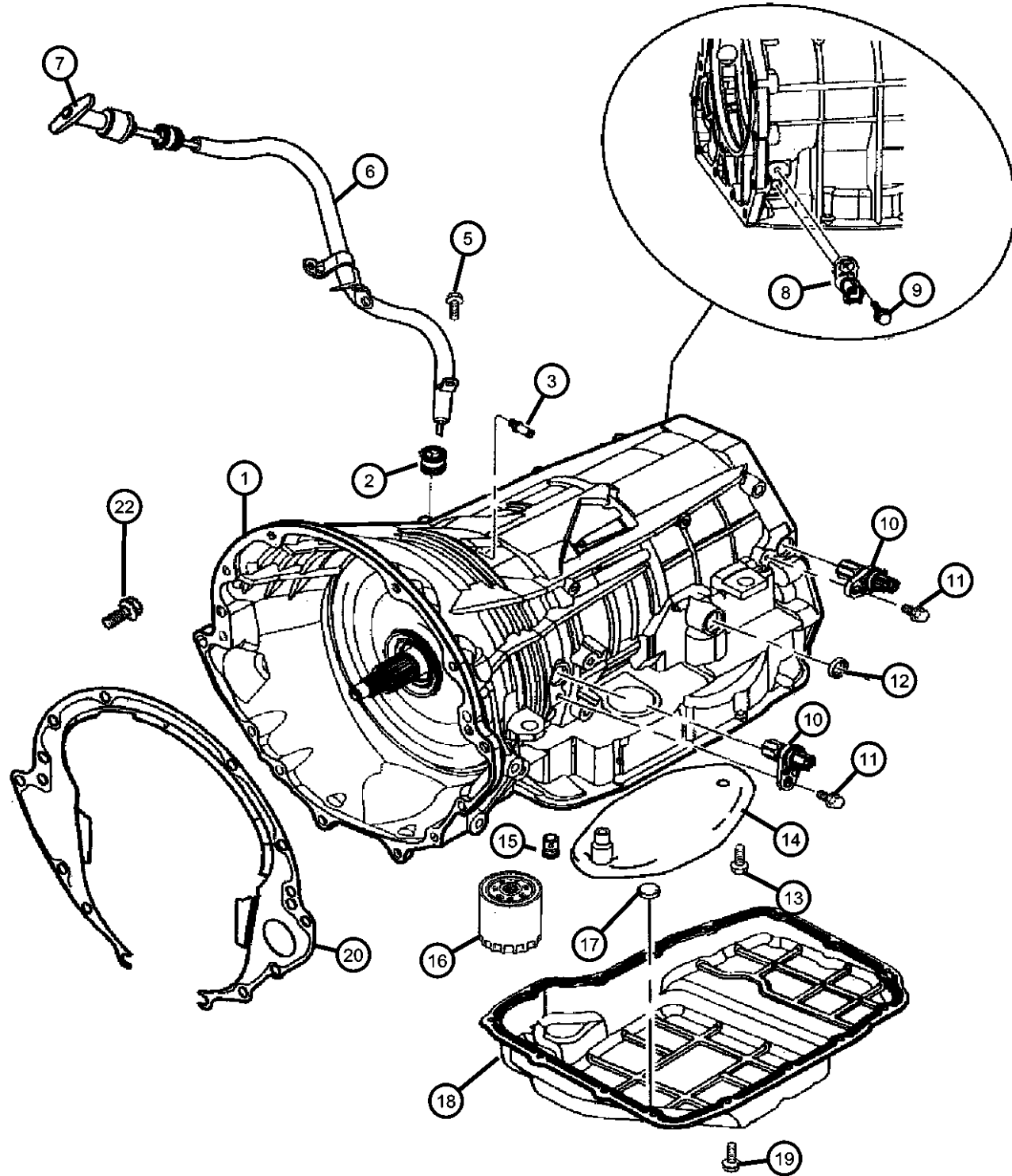
GRAND CHEROKEE (WJ)

SERIES	LINE	BODY	ENGINE	TRANSMISSION
H = Laredo	T = JEEP - 2WD	74 = SPORT UTILITY 4-DR	ERH = ENGINE - 4.0L POWER TECH I-6	DGK = TRANSMISSION - 4-SPD. AUTOMATIC, 42RE
P = Limited	J = JEEP - 4WD		EVA = ENGINE- 4.7L V8 MPI	DGQ = TRANSMISSION-5SPD AUTOMATIC 5-45RFE DGO = ALL AUTOMATIC TRANSMISSIONS

AR = use ase required - = Non illustrated part

2001 WJ

Case and Related Parts 45RFE [DGQ]
Figure 45RFE-210



ITEM	PART NUMBER	QTY	LINE	SERIES	BODY	ENGINE	TRANS	TRIM	DESCRIPTION
1	04799613	1	T				DGQ		CASE, Transmission
		1	J				DGQ		
2	04810021	1	T				DGQ		GROMMET
		1	J				DGQ		
3	04799861AA	1	T				DGQ		VENT, Transmission
		1	J				DGQ		
-4	53032457AA	1					DGQ		TUBE, Vent
5	06501979	1					DGQ		SCREW AND WASHER, Hex Head, M6x1x17
6	52104134AC	1					DGQ		TUBE, Transmission Oil Filler
7	52104137AB	1					DGQ		INDICATOR, Transmission Fluid Level
8	04799758	1	T				DGQ		TRANSDUCER, Pressure Sensor
		1	J				DGQ		
9	06101331	1	T				DGQ		BOLT, M6x1.00x20
		1	J				DGQ		
10	04799061	2	T				DGQ		SENSOR, Transmission Output Speed
		2	J				DGQ		
11	06101331	2	T				DGQ		BOLT, M6x1.00x20
		2	J				DGQ		
12	04799346	1	T				DGQ		SEAL
		1	J				DGQ		
13	06503232	7	T				DGQ		SCREW, Pan Head, M5 x 0.8 x 12.60

GRAND CHEROKEE (WJ)

SERIES LINE
H = Laredo T = JEEP - 2WD
P = Limited J = JEEP - 4WD

BODY
74 = SPORT UTILITY 4-DR

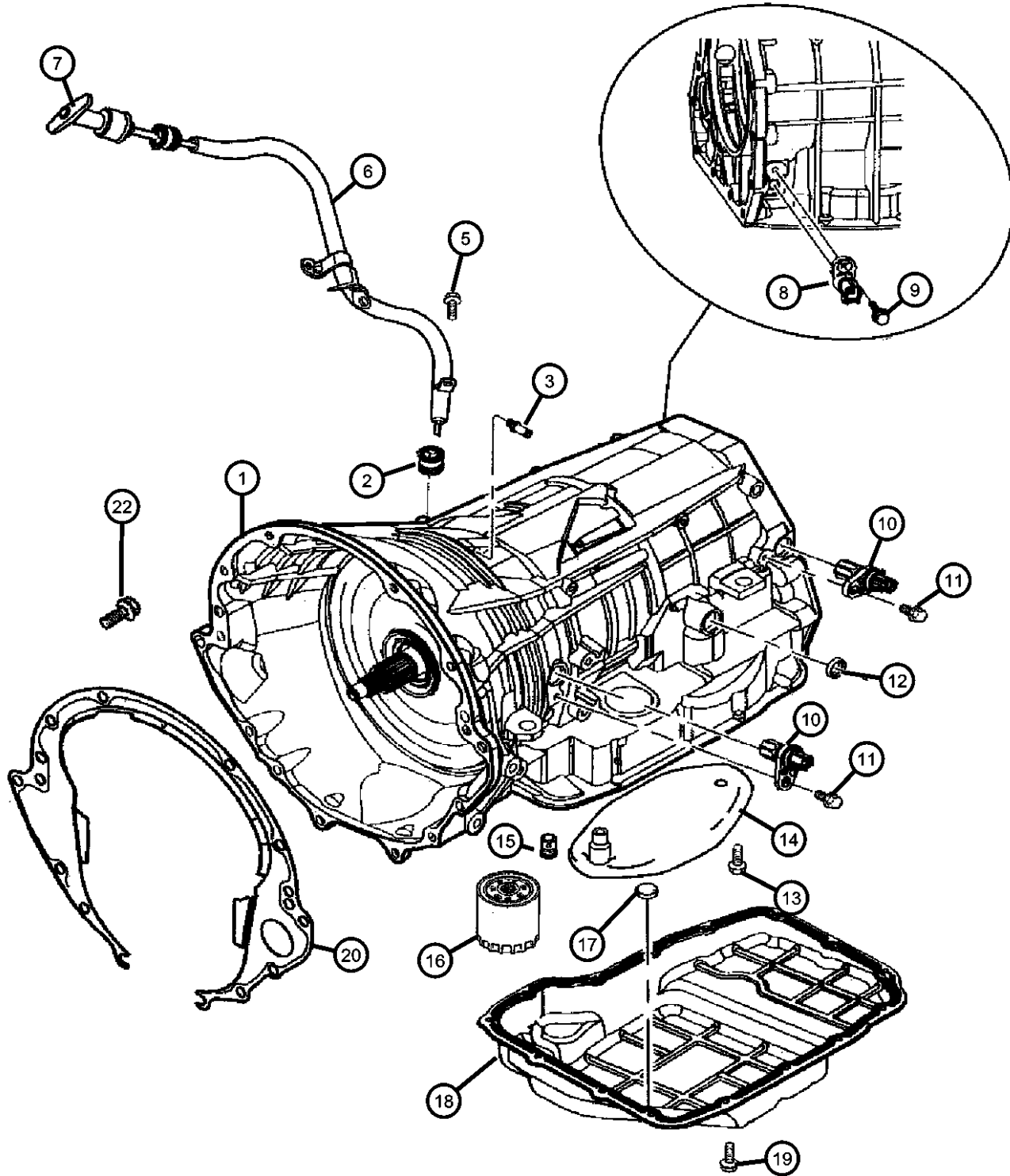
ENGINE
ERH = ENGINE - 4.0L POWER TECH I-6
EVA = ENGINE- 4.7L V8 MPI

TRANSMISSION
DGK = TRANSMISSION - 4-SPD. AUTOMATIC, 42RE
DGQ = TRANSMISSION-5SPD AUTOMATIC 5-45RFE
DGO = ALL AUTOMATIC TRANSMISSIONS

AR = use ase required - = Non illustrated part

2001 WJ

Case and Related Parts 45RFE [DGQ]
Figure 45RFE-210



ITEM	PART NUMBER	QTY	LINE	SERIES	BODY	ENGINE	TRANS	TRIM	DESCRIPTION
14		7	J				DGQ		FILTER PACKAGE, Transmission Oil
	05013470AC	1	J				DGQ		
	05015267AC	1	T				DGQ		
15									VALVE, Flow Control
	04799681	1	T				DGQ		
		1	J				DGQ		
16									FILTER, Transmission Oil
	04799662	1	T				DGQ		
		1	J				DGQ		
17									MAGNET, Transmission
	04446728	1	T				DGQ		
		1	J				DGQ		
18									PAN, Transmission Oil
	04800078AA	1	T				DGQ		
	05013681AA	1	J				DGQ		
19									SCREW
	06101221	15	T				DGQ		
		15	J				DGQ		
20	52104133	1					DGQ		COVER, Transmission Dust
-21									NUT, Transmission Case
	04799433AB	2	T				DGQ		
		2	J				DGQ		
22	06022266	4				EVO	DG0		SCREW, Hex Head, .375-16x1.5, Transmission to Engine

GRAND CHEROKEE (WJ)

SERIES LINE
H = Laredo T = JEEP - 2WD
P = Limited J = JEEP - 4WD

BODY
74 = SPORT UTILITY 4-DR

ENGINE
ERH = ENGINE - 4.0L
POWER TECH I-6
EVA = ENGINE- 4.7L V8 MPI

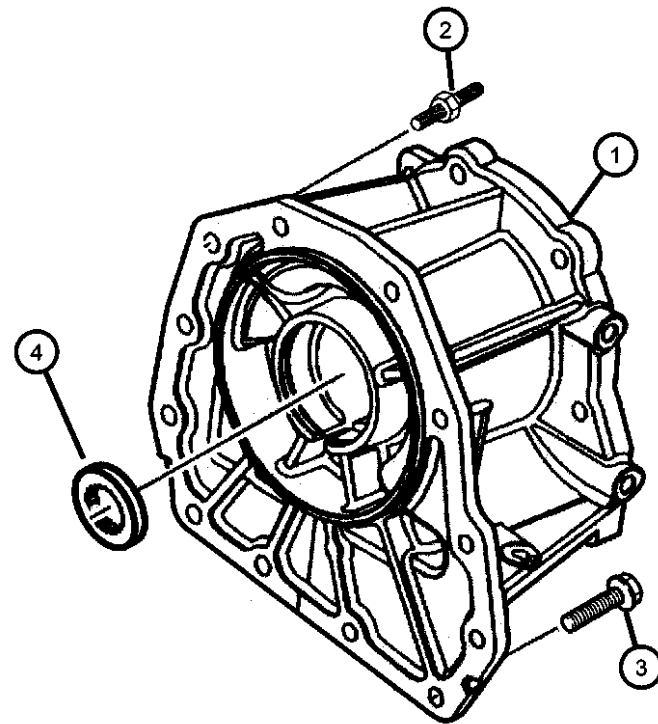
TRANSMISSION
DGK = TRANSMISSION - 4-SPD.
AUTOMATIC, 42RE
DGQ = TRANSMISSION-5SPD
AUTOMATIC 5-45RFE
DGO = ALL AUTOMATIC
TRANSMISSIONS

AR = use ase required - = Non illustrated part

2001 WJ

Adapter 45RFE [DGQ]
Figure 45RFE-220

ITEM	PART NUMBER	QTY	LINE	SERIES	BODY	ENGINE	TRANS	TRIM	DESCRIPTION
NOTES: Sales Codes [DGQ] = 45RFE Multi Speed Automatic Transmission									
1	52098690	1	J				DGQ		ADAPTER, Transfer Case
2									STUD, M10x1.5x62
	06505064AA	2	T				DGQ		
		2	J				DGQ		
3									SCREW AND WASHER, Hex Head, M10x1.5x37
	06504774	10	T				DGQ		
		10	J				DGQ		
4	04167929	1	J				DGQ		SEAL, Input Gear
-5	04799495	1	T				DGQ		HOUSING, Transmission Rear Extension
-6	04531216	1	T				DGK		SEAL, Extension Yoke



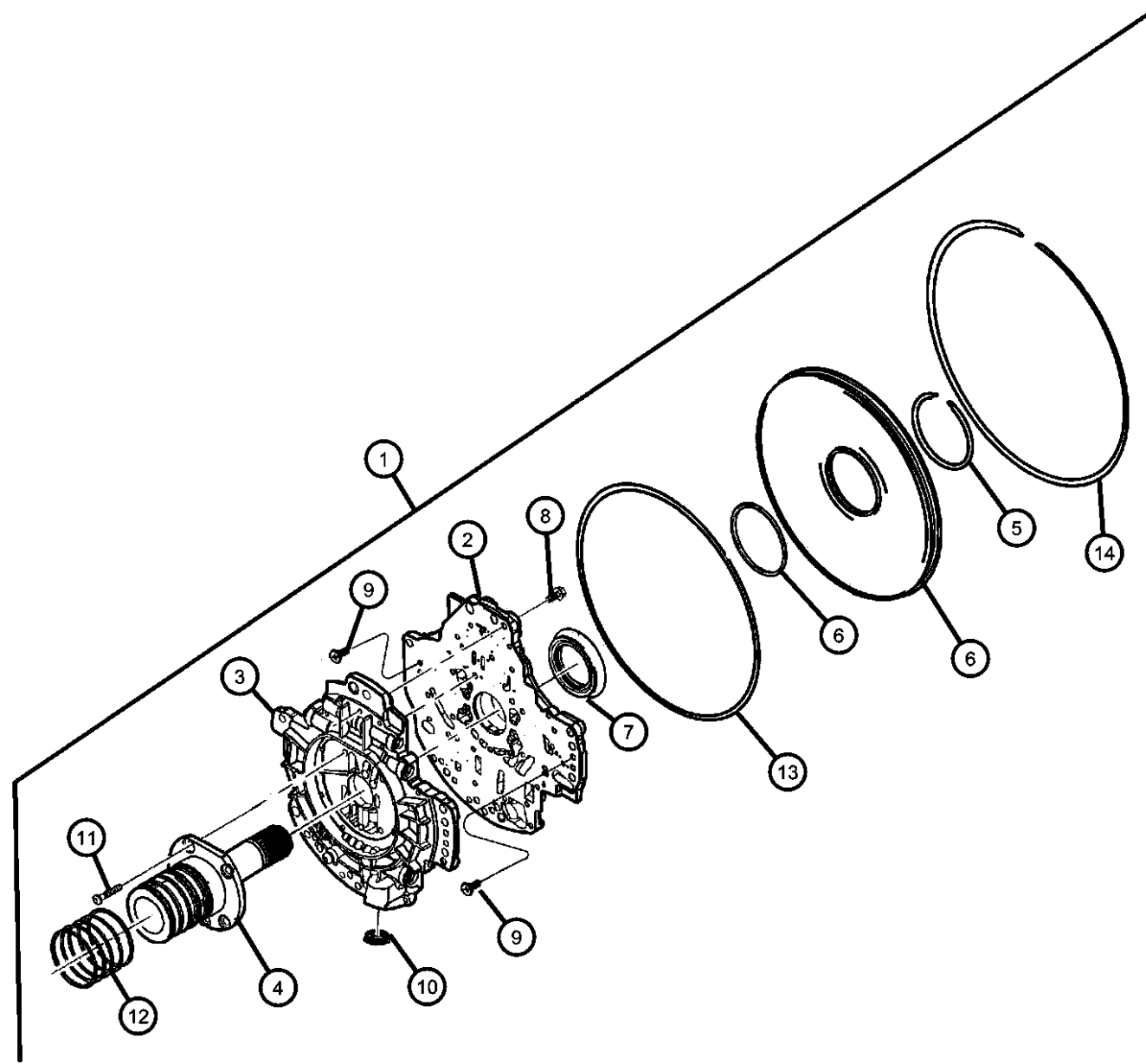
GRAND CHEROKEE (WJ)

SERIES	LINE	BODY	ENGINE	TRANSMISSION
H = Laredo	T = JEEP - 2WD	74 = SPORT UTILITY 4-DR	ERH = ENGINE - 4.0L POWER TECH I-6	DGK = TRANSMISSION - 4-SPD. AUTOMATIC, 42RE
P = Limited	J = JEEP - 4WD		EVA = ENGINE- 4.7L V8 MPI	DGQ = TRANSMISSION-5SPD AUTOMATIC 5-45RFE
				DGO = ALL AUTOMATIC TRANSMISSIONS

AR = use ase required - = Non illustrated part

2001 WJ

**Oil Pump [45RFE] [DGQ]
Figure 45RFE-310**



ITEM	PART NUMBER	QTY	LINE	SERIES	BODY	ENGINE	TRANS	TRIM	DESCRIPTION
1									PUMP PACKAGE, Transmission
	05072589AA	1	T				DGQ		
		1	J				DGQ		
2		1							HOUSING, Pump, (NOT SERVICED)
3		1							BODY, Oil Pump Valve, (NOT SERVICED)
4		1							SUPPORT, Reaction Shaft, (NOT SERVICED)
5									SNAP RING, Transmission
	04799082	1	T				DGQ		
		1	J				DGQ		
6									COVER, Oil Pump
	04799609	1	T				DGQ		
		1	J				DGQ		
7									SEAL, Transmission Oil Pump
	04617919	1	T				DGQ		
		1	J				DGQ		
8									SCREW AND WASHER, Pan Head, M5x.8x25
	06500215	24	T				DGQ		
		24	J				DGQ		
9									SCREW, Pan Head, M5 x 0.8 x 12.60
	06503232	1	T				DGQ		
		1	J				DGQ		
10									SEAL, Oil Pump
	04799964AB	1	T				DGQ		
		1	J				DGQ		
11									SCREW, Button Head
	06504661	5	T				DGQ		
		5	J				DGQ		
12									RING, Transmission
	04799056	5	T				DGQ		
		5	J				DGQ		
13									O RING, Oil Pump, .
	04799003	1	T				DGQ		

GRAND CHEROKEE (WJ)

SERIES LINE
H = Laredo T = JEEP - 2WD
P = Limited J = JEEP - 4WD

BODY
74 = SPORT UTILITY 4-DR

ENGINE
ERH = ENGINE - 4.0L
POWER TECH I-6
EVA = ENGINE- 4.7L V8 MPI

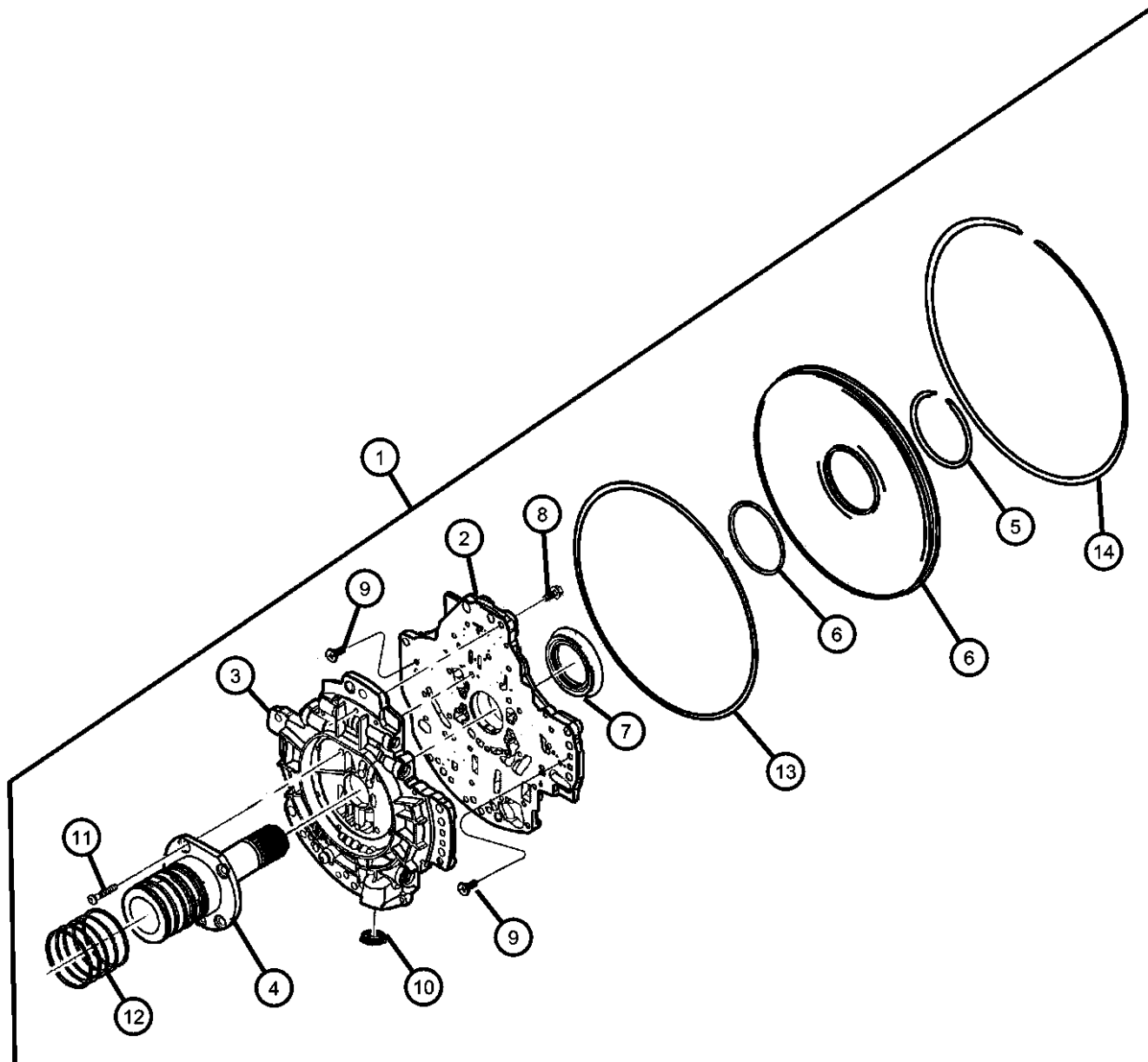
TRANSMISSION
DGK = TRANSMISSION - 4-SPD.
AUTOMATIC, 42RE
DGQ = TRANSMISSION-5SPD
AUTOMATIC 5-45RFE
DGO = ALL AUTOMATIC
TRANSMISSIONS

AR = use ase required - = Non illustrated part

2001 WJ

Oil Pump [45RFE] [DGQ]
Figure 45RFE-310

ITEM	PART NUMBER	QTY	LINE	SERIES	BODY	ENGINE	TRANS	TRIM	DESCRIPTION
		1	J				DGQ		
14	04799005	1	T				DGQ		SNAP RING, Transmission
		1	J				DGQ		



GRAND CHEROKEE (WJ)

SERIES

H = Laredo
P = Limited

LINE

T = JEEP - 2WD
J = JEEP - 4WD

BODY

74 = SPORT UTILITY 4-DR

ENGINE

ERH = ENGINE - 4.0L
POWER TECH I-6
EVA = ENGINE- 4.7L V8 MPI

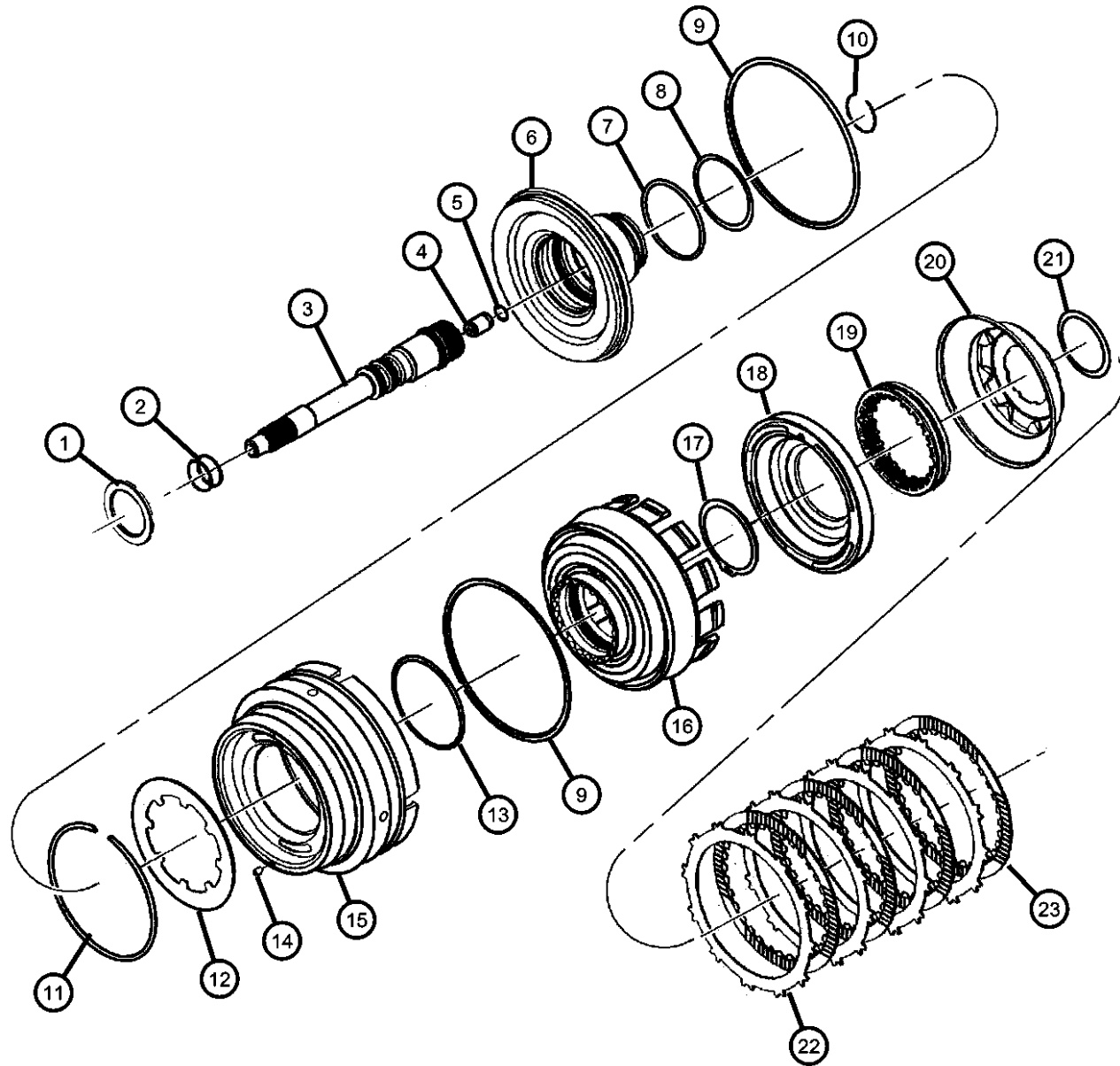
TRANSMISSION

DGK = TRANSMISSION - 4-SPD.
AUTOMATIC, 42RE
DGQ = TRANSMISSION-5SPD
AUTOMATIC 5-45RFE
DGO = ALL AUTOMATIC
TRANSMISSIONS

AR = use ase required - = Non illustrated part

2001 WJ

**Input Shaft 45RFE [DGQ]
Figure 45RFE-410**



ITEM	PART NUMBER	QTY	LINE	SERIES	BODY	ENGINE	TRANS	TRIM	DESCRIPTION
1	04799469	1	J				DGQ		THRUST BEARING, Needle Roller
2	04799539	2	T				DGQ		SEAL, Input Shaft, PKG 05013090AA
3	04799537	1	T				DGQ		SHAFT, Input
4	04799974AA	1	T				DGQ		CHECK VALVE, Transmission
5	04799978AA	1	T				DGQ		SNAP RING
6	04799536AC	1	T				DGQ		HUB, Input Clutch
7	04799073	1	T				DGQ		O RING, Transmission Clutch, PKG 05013090AA
8	04799755	1	T				DGQ		O RING, Transmission Clutch, PKG 05013090AA
9	04799090	1	T				DGQ		SEAL, Input, PKG 05013090aa
10	04799538	1	T				DGQ		SNAP RING, Input Shaft
11		1	J				DGQ		SNAP RING, Transmission

GRAND CHEROKEE (WJ)

SERIES LINE
H = Laredo T = JEEP - 2WD
P = Limited J = JEEP - 4WD

BODY
74 = SPORT UTILITY 4-DR

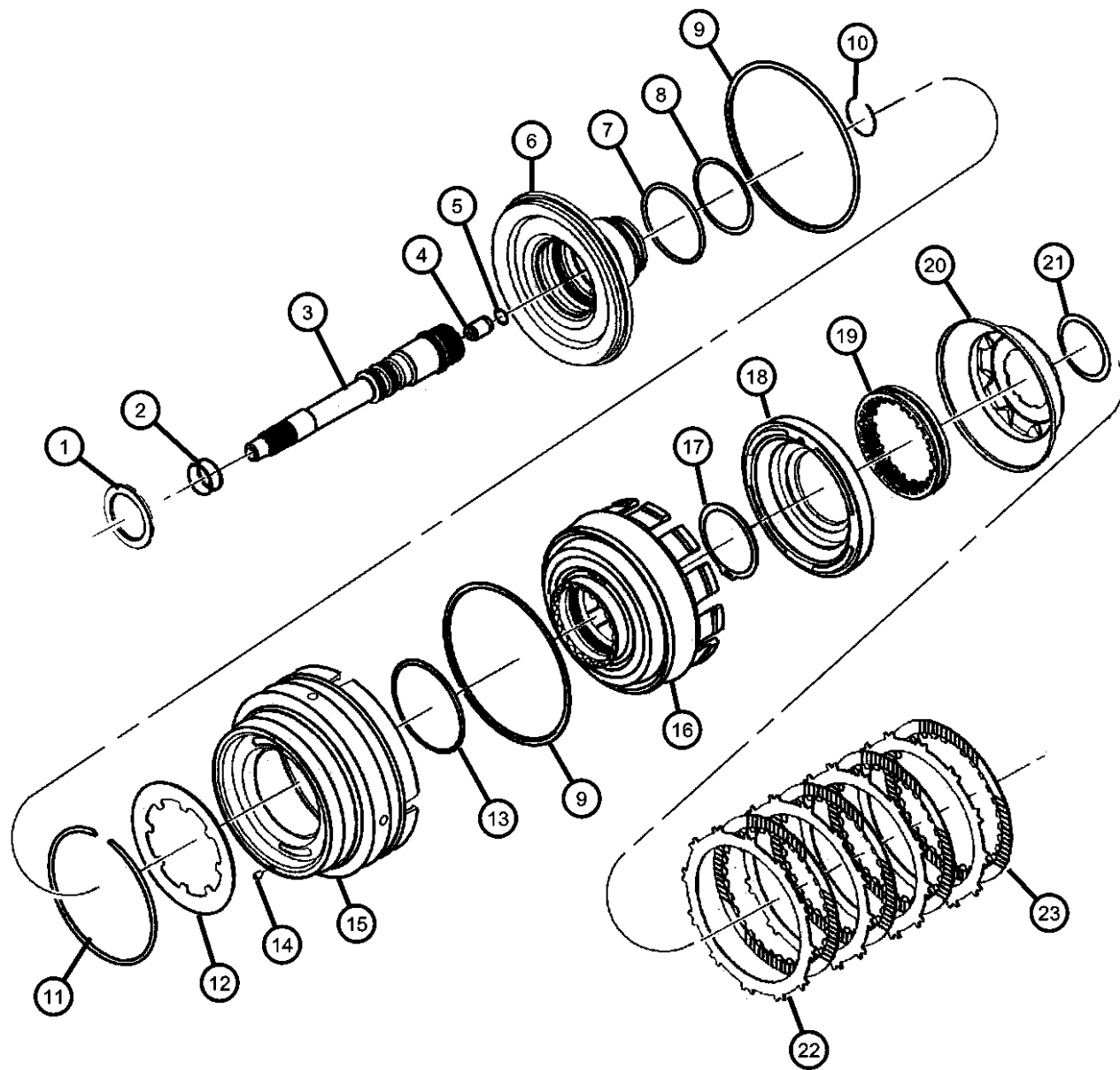
ENGINE
ERH = ENGINE - 4.0L
POWER TECH I-6
EVA = ENGINE- 4.7L V8 MPI

TRANSMISSION
DGK = TRANSMISSION - 4-SPD.
AUTOMATIC, 42RE
DGQ = TRANSMISSION-5SPD
AUTOMATIC 5-45RFE
DGO = ALL AUTOMATIC
TRANSMISSIONS

AR = use ase required - = Non illustrated part

2001 WJ

**Input Shaft 45RFE [DGQ]
Figure 45RFE-410**



ITEM	PART NUMBER	QTY	LINE	SERIES	BODY	ENGINE	TRANS	TRIM	DESCRIPTION
	04799088	1	T				DGQ		
		1	J				DGQ		
12	04799087	1	T				DGQ		SPRING, Piston Return
		1	J				DGQ		
13	04799089	1	T				DGQ		O RING, Reverse & O/Drive Clutch Piston, Transmission, PKG 05013090AA
		1	J				DGQ		
14	04531903	1	T				DGQ		FILTER, Reverse And O/D Clutch
		1	J				DGQ		
15	04799645	1	T				DGQ		PISTON, Reverse and Overdrive
		1	J				DGQ		
16	04799648	1	T				DGQ		RETAINER, Transmission Input Clutch
		1	J				DGQ		
17	04799097	1	J				DG4		SNAP RING
		1	T				DGQ		
18	04799650	1	T				DGQ		PISTON, Underdrive
		1	J				DGQ		
19	04799101	1	T				DGQ		SPRING, Undredrive Piston, PKG 05013090AA
		1	J				DGQ		
20	04799652	1	T				DGQ		PISTON, Underdrive
		1	J				DGQ		
21	04799103	1	T				DGQ		SNAP RING, Transmission, PKG 05013090AA

GRAND CHEROKEE (WJ)

SERIES LINE
H = Laredo T = JEEP - 2WD
P = Limited J = JEEP - 4WD

BODY
74 = SPORT UTILITY 4-DR

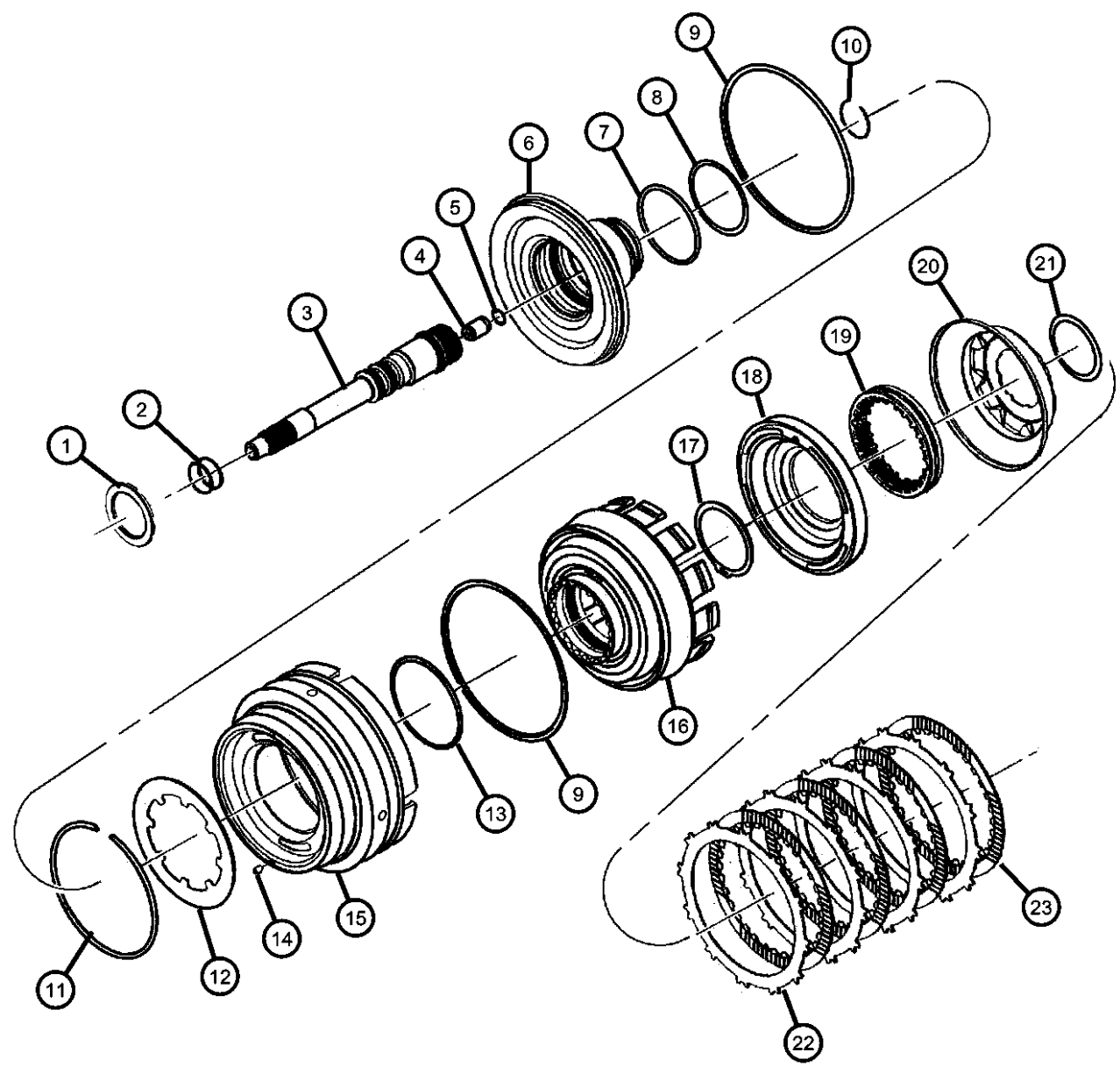
ENGINE
ERH = ENGINE - 4.0L POWER TECH I-6
EVA = ENGINE- 4.7L V8 MPI

TRANSMISSION
DGK = TRANSMISSION - 4-SPD. AUTOMATIC, 42RE
DGQ = TRANSMISSION-5SPD AUTOMATIC 5-45RFE
DGO = ALL AUTOMATIC TRANSMISSIONS

AR = use ase required - = Non illustrated part

2001 WJ

**Input Shaft 45RFE [DGQ]
Figure 45RFE-410**



ITEM	PART NUMBER	QTY	LINE	SERIES	BODY	ENGINE	TRANS	TRIM	DESCRIPTION
		1	J				DGQ		
22		1							PLATE, PKG 05013090AA, (NOT SERVICED)
23		1							DISC, Clutch, PKG 05013090AA, (NOT SERVICED)

GRAND CHEROKEE (WJ)

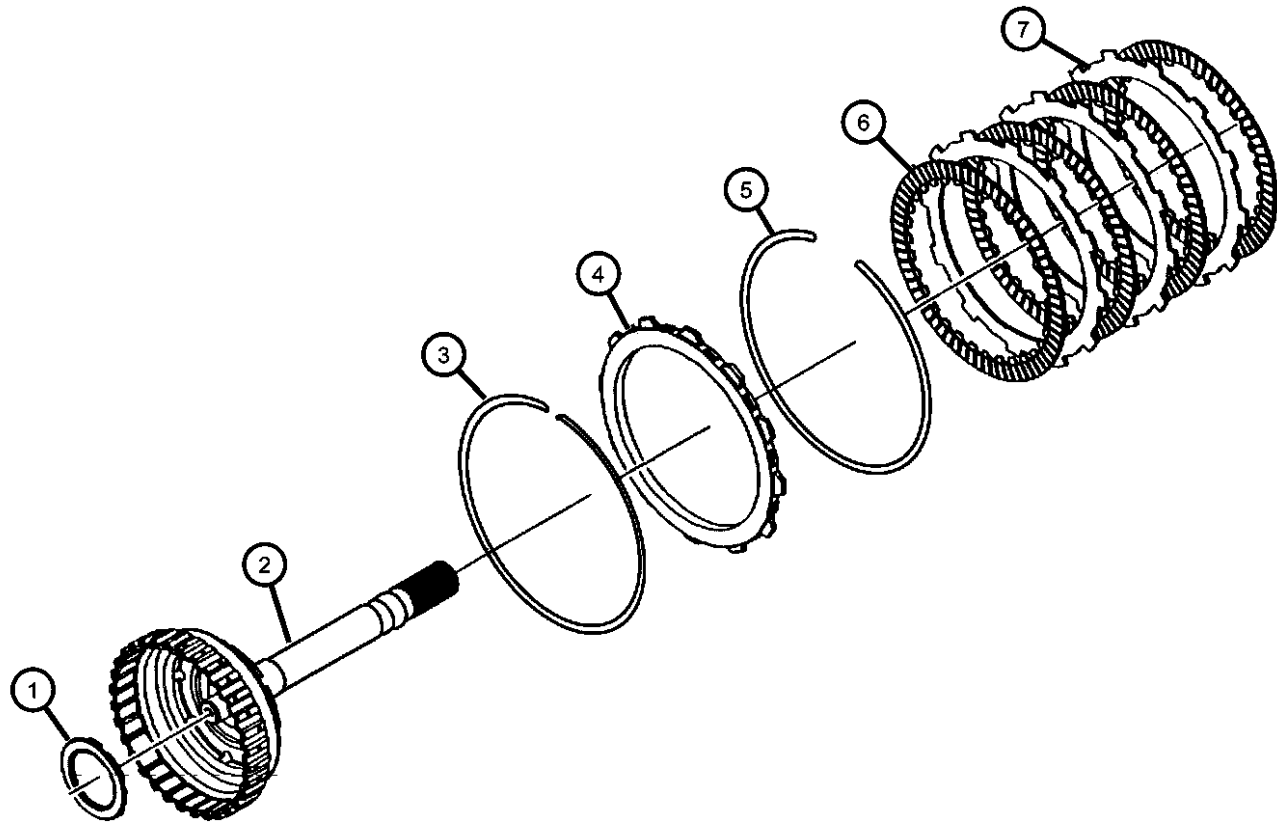
SERIES	LINE	BODY	ENGINE	TRANSMISSION
H = Laredo	T = JEEP - 2WD	74 = SPORT UTILITY 4-DR	ERH = ENGINE - 4.0L POWER TECH I-6	DGK = TRANSMISSION - 4-SPD. AUTOMATIC, 42RE
P = Limited	J = JEEP - 4WD		EVA = ENGINE- 4.7L V8 MPI	DGQ = TRANSMISSION-5SPD AUTOMATIC 5-45RFE DGO = ALL AUTOMATIC TRANSMISSIONS

AR = use ase required - = Non illustrated part

**Underdrive 45RFE [DGQ]
Figure 45RFE-420**

ITEM	PART NUMBER	QTY	LINE	SERIES	BODY	ENGINE	TRANS	TRIM	DESCRIPTION
------	-------------	-----	------	--------	------	--------	-------	------	-------------

NOTES: Sales Codes
[DGQ] = 45RFE Multi Speed Automatic Transmission



1	04799469	1	T				DGQ		THRUST BEARING, Needle Roller
		1	J				DGQ		
2	04799546	1	T				DGQ		HUB AND SHAFT, Underdrive Clutch
		1	J				DGQ		
3	04799760	1	T				DGQ		SNAP RING, Transmission
		1	J				DGQ		
4	04799107AB	AR	T				DGQ		PLATE, Transmission Clutch Reaction 7.00/7.16 mm Thick
		AR	J				DGQ		7.00/7.16mm Thick
	04799108AB	AR	T				DGQ		3.05/3.21mm Thick
		AR	J				DGQ		3.05/3.21mm Thick
	04799109AB	AR	T				DGQ		3.60/3.76mm Thick
		AR	J				DGQ		3.60/3.76mm Thick
5		AR							SNAP RING, PKG 05013090AA, (NOT SERVICED),
6		AR							DISC, Clutch, PKG 05013090AA, (NOT SERVICED)
7		AR							PLATE, PKG 05013090AA, (NOT SERVICED)

GRAND CHEROKEE (WJ)

SERIES LINE
H = Laredo T = JEEP - 2WD
P = Limited J = JEEP - 4WD

BODY
74 = SPORT UTILITY 4-DR

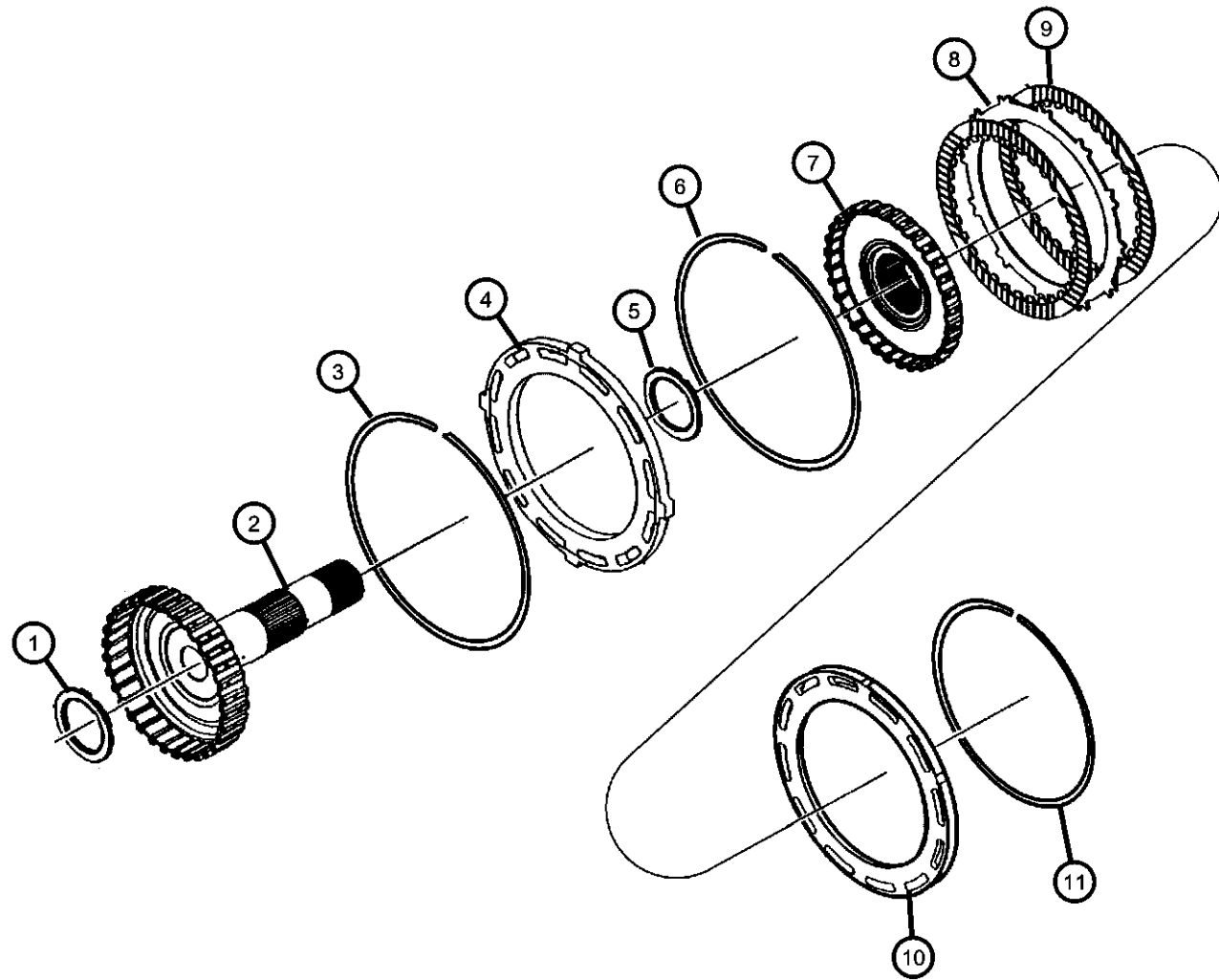
ENGINE
ERH = ENGINE - 4.0L
POWER TECH I-6
EVA = ENGINE- 4.7L V8 MPI

TRANSMISSION
DGK = TRANSMISSION - 4-SPD.
AUTOMATIC, 42RE
DGQ = TRANSMISSION-5SPD
AUTOMATIC 5-45RFE
DGO = ALL AUTOMATIC
TRANSMISSIONS

AR = use ase required - = Non illustrated part

2001 WJ

**Overdrive 45RFE [DGQ]
Figure 45RFE-430**



ITEM	PART NUMBER	QTY	LINE	SERIES	BODY	ENGINE	TRANS	TRIM	DESCRIPTION
1									THRUST BEARING, Needle Roller
	04799469	1	T				DGQ		
		1	J				DGQ		
2									HUB AND SHAFT, Overdrive Clutch
	04799550	1	T				DGQ		
		1	J				DGQ		
3									SNAP RING, Overdrive Clutch
	04799118	1	T				DGQ		
		1	J				DGQ		
4									PLATE, Clutch Pressure
	04799116	1	T				DGQ		
		1	J				DGQ		
5									THRUST BEARING, Needle Roller
	04799469	1	T				DGQ		
		1	J				DGQ		
6									SNAP RING, Transmission
	04799117	1	T				DGQ		
		1	J				DGQ		
7									HUB AND SHAFT, Reverse Clutch
	04799556	1	T				DGQ		
		1	J				DGQ		
8		1							PLATE, PKG 05013090AA, (NOT SERVICED)
9		1							DISC, Clutch, PKG 05013090AA, (NOT SERVICED)
10									PLATE, Transmission Clutch Reaction
	04799121	1	T				DGQ		
		1	J				DGQ		
11		1							SNAP RING, PKG 05013090AA, (NOT SERVICED)

GRAND CHEROKEE (WJ)

SERIES LINE
H = Laredo T = JEEP - 2WD
P = Limited J = JEEP - 4WD

BODY
74 = SPORT UTILITY 4-DR

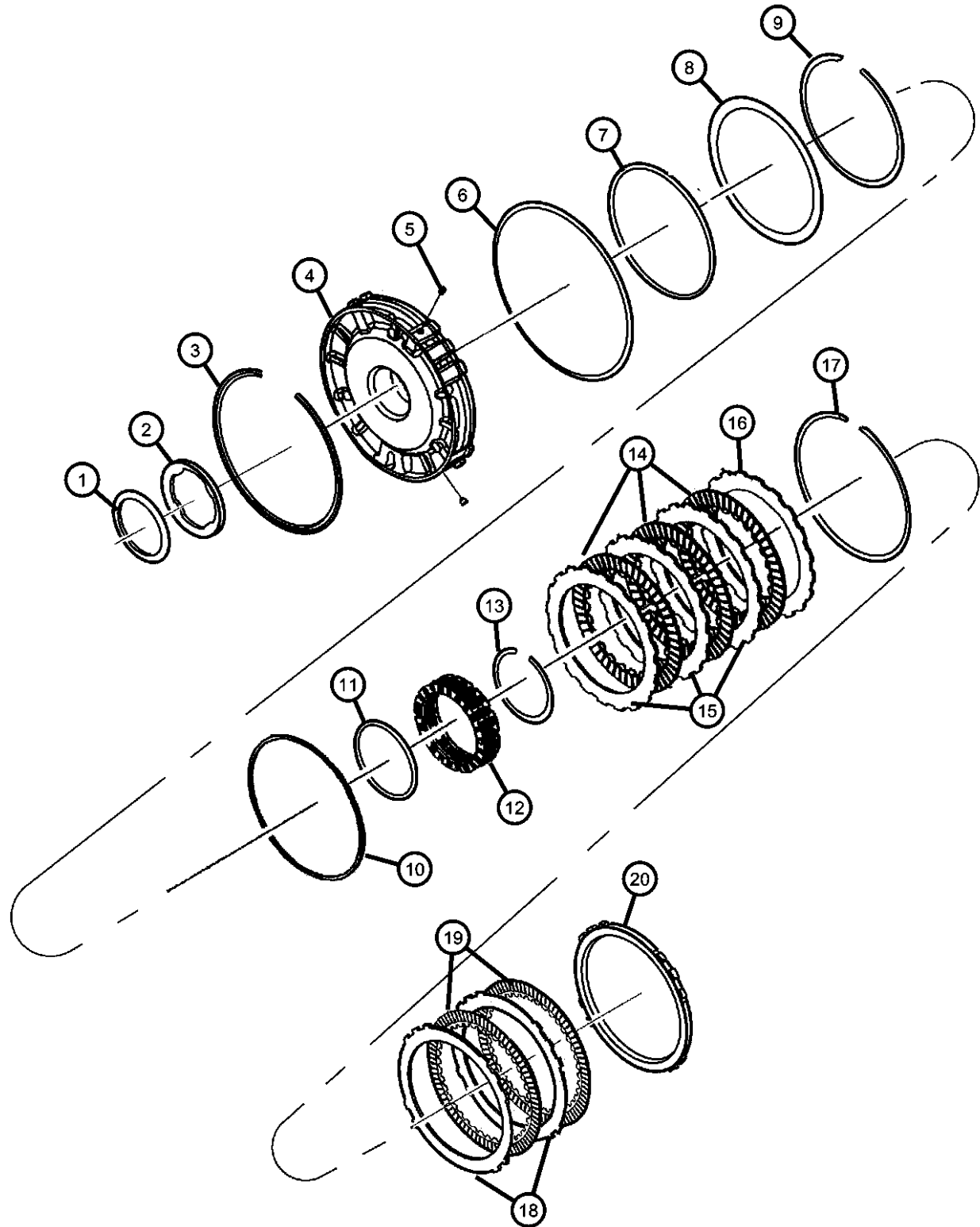
ENGINE
ERH = ENGINE - 4.0L
POWER TECH I-6
EVA = ENGINE- 4.7L V8 MPI

TRANSMISSION
DGK = TRANSMISSION - 4-SPD.
AUTOMATIC, 42RE
DGQ = TRANSMISSION-5SPD
AUTOMATIC 5-45RFE
DGO = ALL AUTOMATIC
TRANSMISSIONS

AR = use ase required - = Non illustrated part

2001 WJ

**2/4 Clutch Retainer 45RFE [DGQ]
Figure 45RFE-440**



ITEM	PART NUMBER	QTY	LINE	SERIES	BODY	ENGINE	TRANS	TRIM	DESCRIPTION
------	-------------	-----	------	--------	------	--------	-------	------	-------------

NOTES: Sales Codes
[DGQ] = 45RFE Multi Speed Automatic Transmission

1									THRUST BEARING, Needle Roller
	04799936AB	1	T				DGQ		
		1	J				DGQ		
2		1							PLATE, Clutch Hub Thrust, PKG 05013093AA, (NOT SERVICED)
3									SNAP RING, Transmission
	04799680AB	1	T				DGQ		
		1	J				DGQ		
4									RETAINER, Transmission 2nd and 4th Clutch Piston
	04799498	1	T				DGQ		
		1	J				DGQ		
5									BLEED ORIFICE, Transmission
	04799086	1	T				DGQ		
		1	J				DGQ		
6									SNAP RING, Transmission
	04799174	1	T				DGQ		
		1	J				DGQ		
7		1							RING, PKG 05013087AA, (NOT SERVICED)
8									SPRING, 2nd And 4th Clutch Piston
	04799521	1	T				DGQ		
		1	J				DGQ		
9									SNAP RING, Transmission
	04799522AB	1	T				DGQ		
		1	J				DGQ		
10		1							RING, PKG 05013087AA, (NOT SERVICED)
11		1							RING, PKG 05013087AA, (NOT SERVICED)
12									SPRING, 2nd And 4th Clutch Piston
	04799527AB	1	T				DGQ		
		1	J				DGQ		
13									SNAP RING, Transmission

GRAND CHEROKEE (WJ)

SERIES LINE
H = Laredo T = JEEP - 2WD
P = Limited J = JEEP - 4WD

BODY
74 = SPORT UTILITY 4-DR

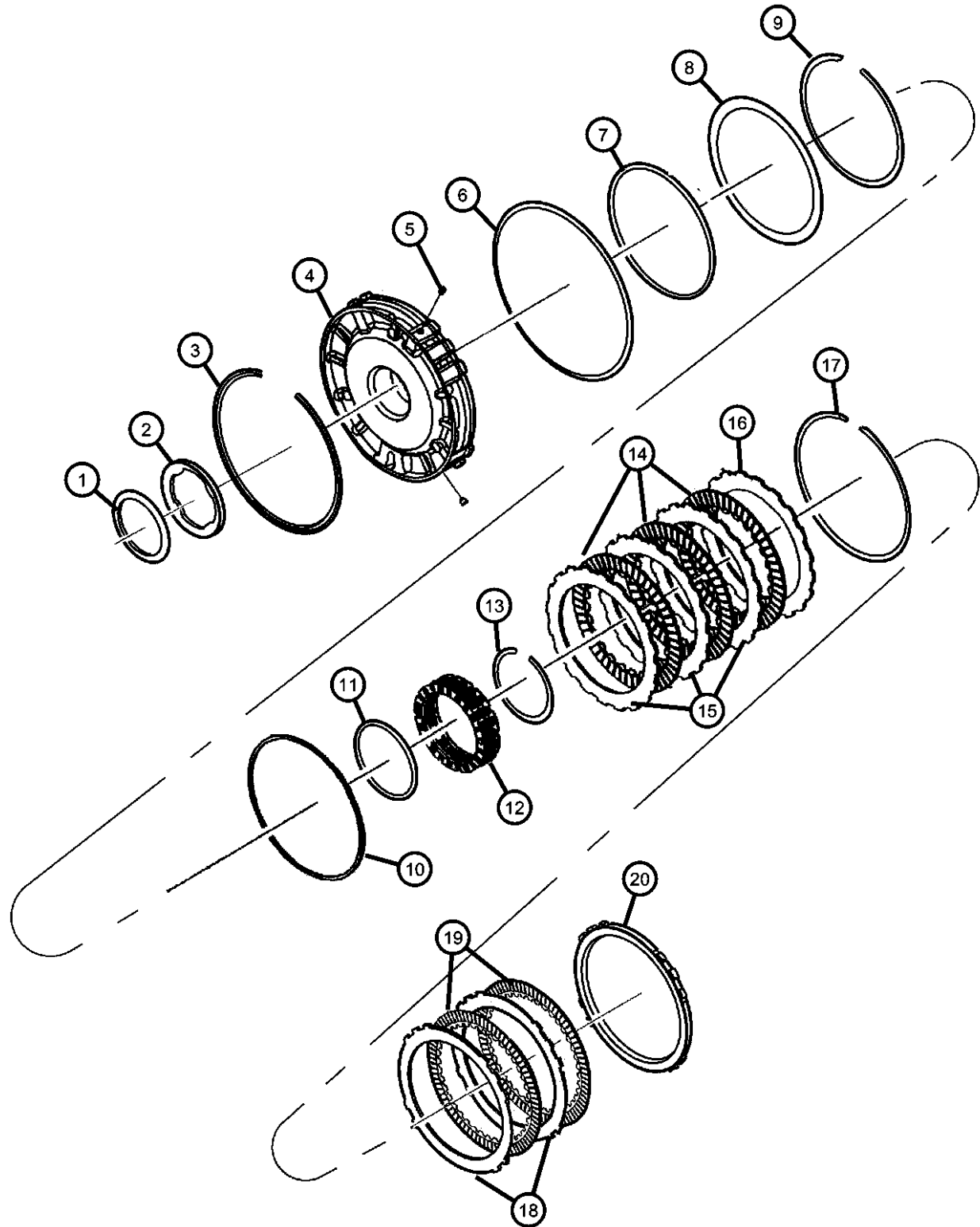
ENGINE
ERH = ENGINE - 4.0L
POWER TECH I-6
EVA = ENGINE- 4.7L V8 MPI

TRANSMISSION
DGK = TRANSMISSION - 4-SPD.
AUTOMATIC, 42RE
DGQ = TRANSMISSION-5SPD
AUTOMATIC 5-45RFE
DGO = ALL AUTOMATIC
TRANSMISSIONS

AR = use ase required - = Non illustrated part

2001 WJ

**2/4 Clutch Retainer 45RFE [DGQ]
Figure 45RFE-440**



ITEM	PART NUMBER	QTY	LINE	SERIES	BODY	ENGINE	TRANS	TRIM	DESCRIPTION
	04799528AB	1	T				DGQ		
		1	J				DGQ		
14		1							DISC, Clutch, PKG 05013087AA, (NOT SERVICED)
15		1							PLATE, Clutch Separator, PKG 05013087AA, (NOT SERVICED)
16									PLATE, Transmission Clutch Reaction
	04799533	1	T				DGQ		
		1	J				DGQ		
17		1							SNAP RING, Transmission, PKG 05013087AA, (NOT SERVICED)
18		1							PLATE, PKG 05013087AA, (NOT SERVICED)
19		1							DISC, Clutch, PKG 05013087AA, (NOT SERVICED)
20									PLATE, Transmission Clutch Reaction
	04799687AB	1	T				DG4		
		1	J				DG4		

GRAND CHEROKEE (WJ)

SERIES LINE
H = Laredo T = JEEP - 2WD
P = Limited J = JEEP - 4WD

BODY
74 = SPORT UTILITY 4-DR

ENGINE
ERH = ENGINE - 4.0L
POWER TECH I-6
EVA = ENGINE- 4.7L V8 MPI

TRANSMISSION
DGK = TRANSMISSION - 4-SPD.
AUTOMATIC, 42RE
DGQ = TRANSMISSION-5SPD
AUTOMATIC 5-45RFE
DGO = ALL AUTOMATIC
TRANSMISSIONS

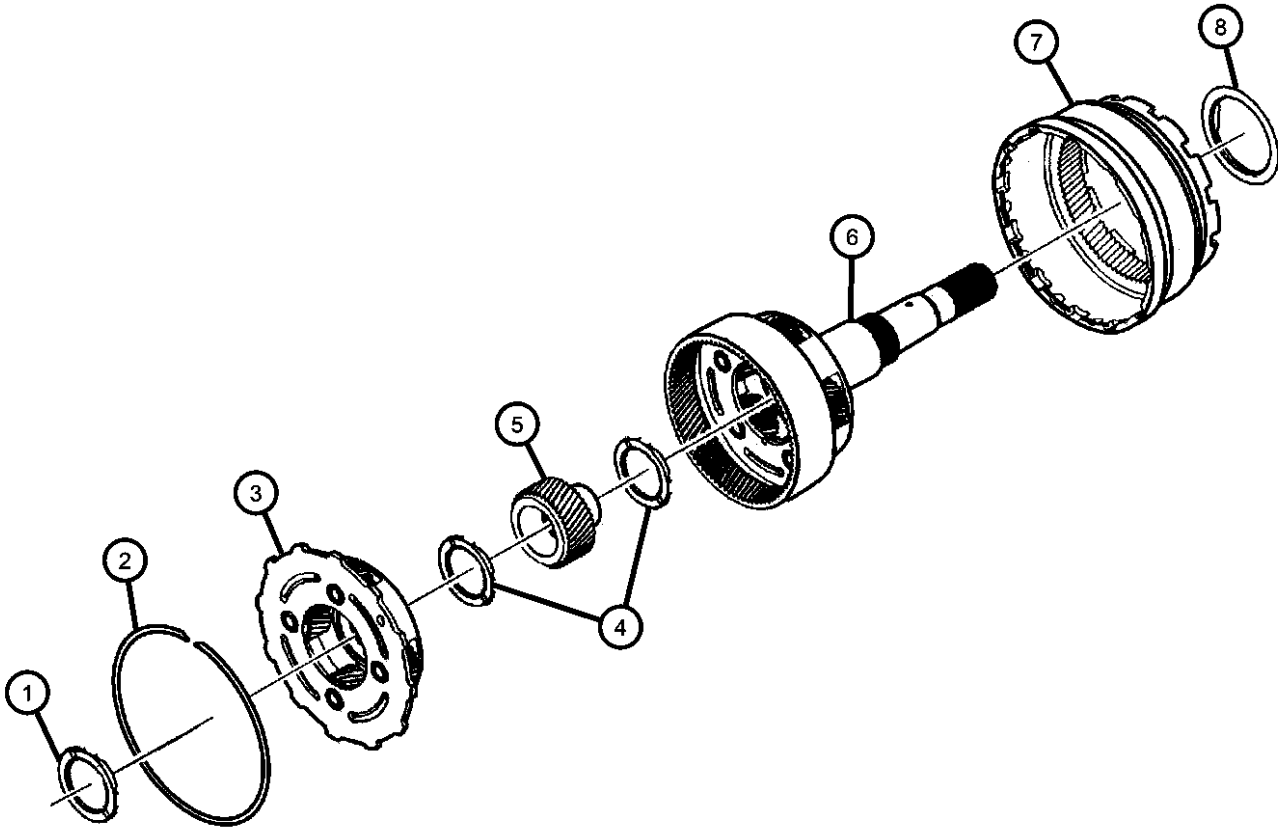
AR = use ase required - = Non illustrated part

2001 WJ

**Input/Reverse Planetary 45RFE [DGQ]
Figure 45RFE-450**

ITEM	PART NUMBER	QTY	LINE	SERIES	BODY	ENGINE	TRANS	TRIM	DESCRIPTION
------	-------------	-----	------	--------	------	--------	-------	------	-------------

NOTES: Sales Codes
[DGQ] = 45RFE Multi Speed Automatic Transmission



1									THRUST BEARING, Needle Roller
	04799469	1	T				DGQ		
		1	J				DGQ		
2									SNAP RING
	04799247	1	T				DGQ		
		1	J				DGQ		
3									REVERSE CARRIER KIT
	05134382AA	1	T				DGQ		
		1	J				DGQ		
4									THRUST BEARING, Needle Roller
	04799469	1	T				DGQ		
		1	J				DGQ		
5									GEAR, Input Sun
	04799586	1	T				DG4		
		1	J				DG4		
6									INPUT CARRIER KIT
	05135165AA	1	T				DGQ		
		1	J				DGQ		
7									GEAR, Annulus
	04799501	1	T				DG4		
		1	J				DG4		
8									THRUST BEARING, Needle Roller
	04799459	1	T				DGQ		
		1	J				DGQ		

GRAND CHEROKEE (WJ)

SERIES LINE
H = Laredo T = JEEP - 2WD
P = Limited J = JEEP - 4WD

BODY
74 = SPORT UTILITY 4-DR

ENGINE
ERH = ENGINE - 4.0L
POWER TECH I-6
EVA = ENGINE- 4.7L V8 MPI

TRANSMISSION
DGK = TRANSMISSION - 4-SPD.
AUTOMATIC, 42RE
DGQ = TRANSMISSION-5SPD
AUTOMATIC 5-45RFE
DGO = ALL AUTOMATIC
TRANSMISSIONS

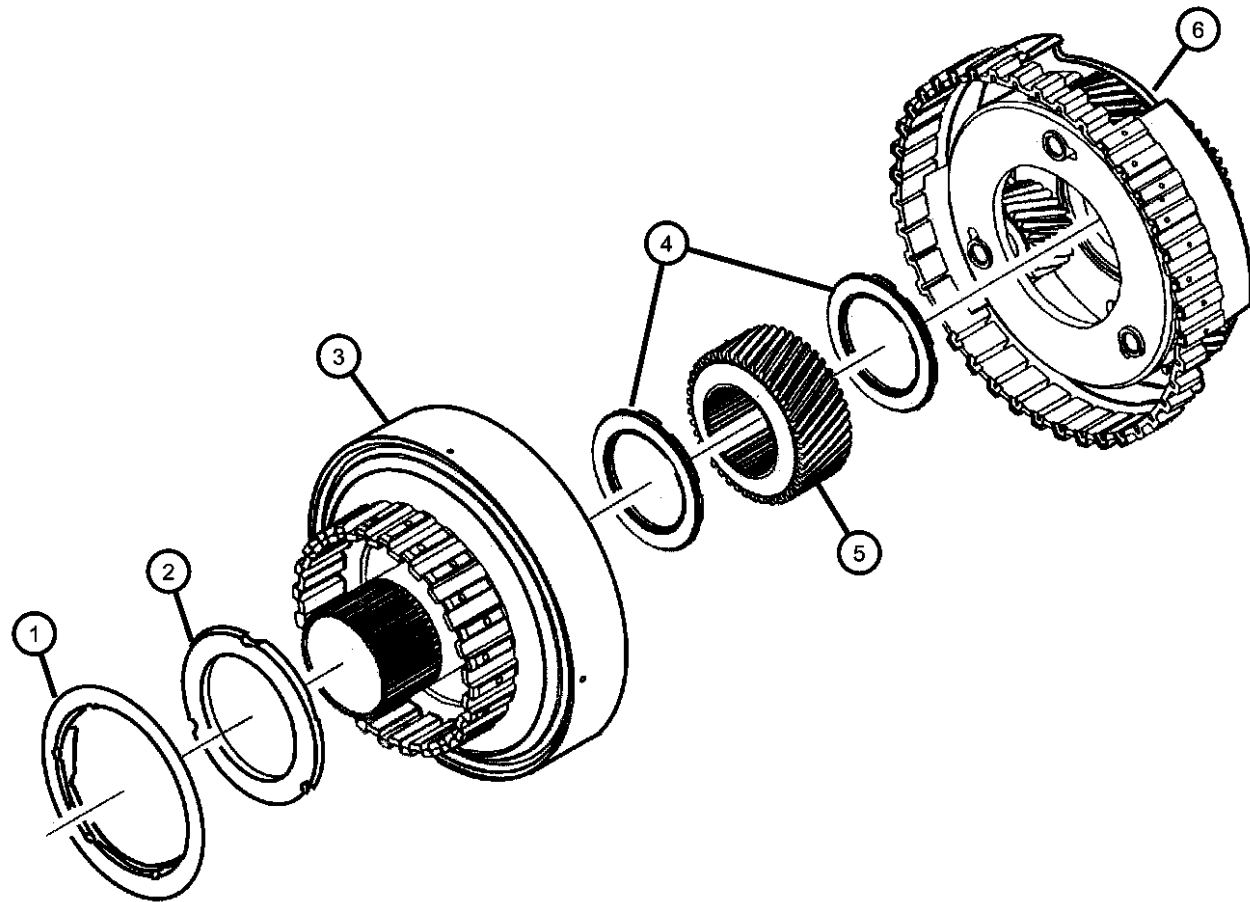
AR = use ase required - = Non illustrated part

2001 WJ

**Reaction Annulus/Sun Gear 45RFE [DGQ]
Figure 45RFE-460**

ITEM	PART NUMBER	QTY	LINE	SERIES	BODY	ENGINE	TRANS	TRIM	DESCRIPTION
------	-------------	-----	------	--------	------	--------	-------	------	-------------

NOTES; Sales Codes
[DGQ] = 45RFE Multi Speed Automatic Transmission



1									THRUST BEARING, Needle Roller
	04799459	1	T				DGQ		
		1	J				DGQ		
2		1							THRUST WASHER, Planetary Carrier, PKG 05013092AA, (NOT SERVICED)
3	04799604	1	T				DGQ		GEAR, Annulus
		1	J				DGQ		
4	04799469	1	T				DGQ		THRUST BEARING, Needle Roller
		1	J				DGQ		
5	04799602	1	T				DG4		GEAR, Reaction Sun
		1	J				DG4		
6	04799619	1	T				DGQ		CARRIER, Reaction Complete
		1	J				DGQ		

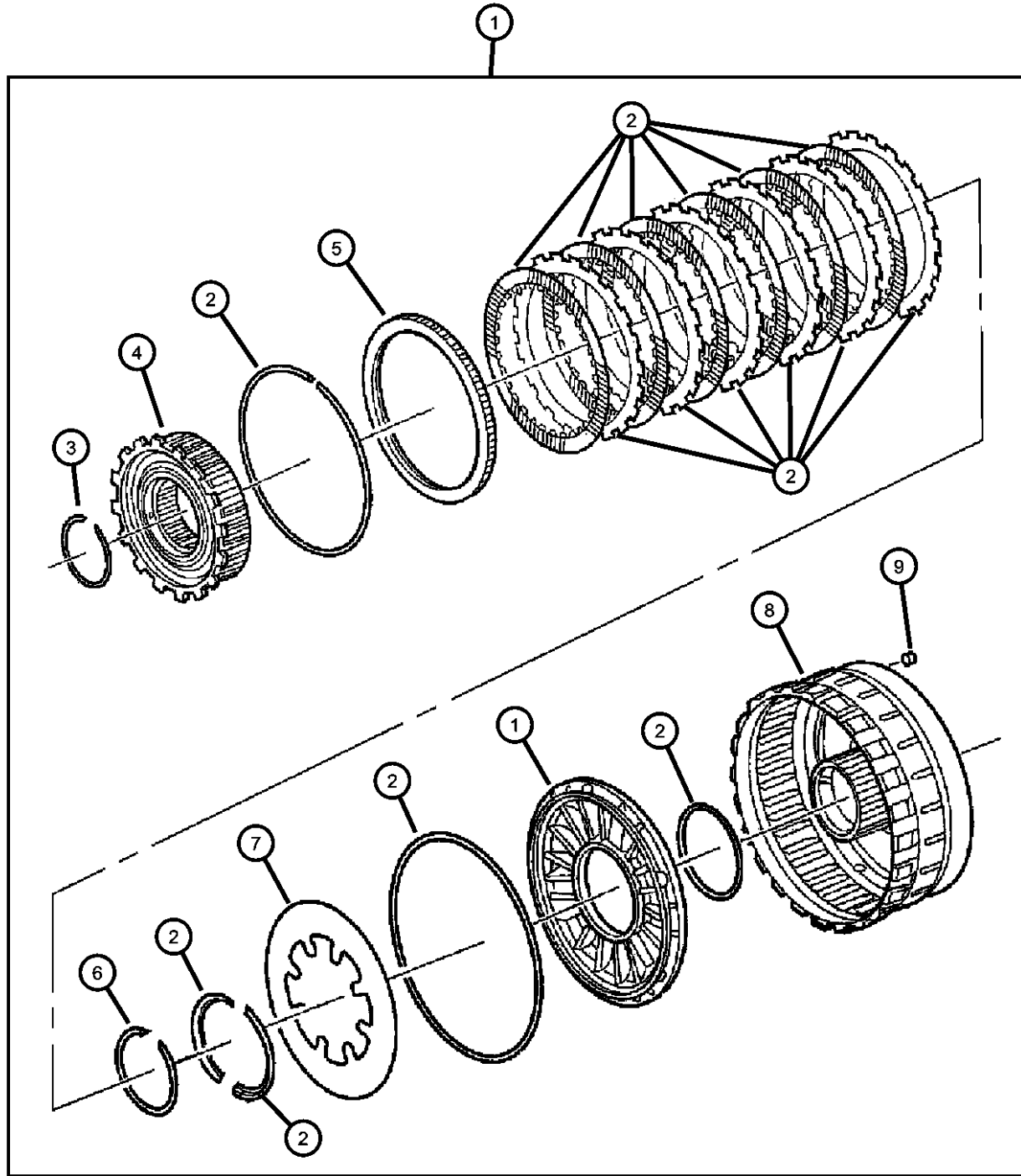
GRAND CHEROKEE (WJ)

SERIES	LINE	BODY	ENGINE	TRANSMISSION
H = Laredo	T = JEEP - 2WD	74 = SPORT UTILITY 4-DR	ERH = ENGINE - 4.0L POWER TECH I-6	DGK = TRANSMISSION - 4-SPD. AUTOMATIC, 42RE
P = Limited	J = JEEP - 4WD		EVA = ENGINE- 4.7L V8 MPI	DGQ = TRANSMISSION-5SPD AUTOMATIC 5-45RFE
				DGO = ALL AUTOMATIC TRANSMISSIONS

AR = use ase required - = Non illustrated part

2001 WJ

Low / Reverse Clutch
Figure 45RFE-470



ITEM	PART NUMBER	QTY	LINE	SERIES	BODY	ENGINE	TRANS	TRIM	DESCRIPTION
1	04799457	1	T				DGQ		CLUTCH, L/R Clutch
		1	J				DGQ		
2	05013091AA	1	T				DGQ		CLUTCH PACKAGE, Automatic Transmission, Low/Reverse
		1	J				DGQ		
3	04799863AA	1	T				DGQ		SNAP RING
		1	J				DGQ		
4	04799465	1	T				DGQ		CLUTCH, Overrunning
		1	J				DGQ		
5	04799667	1	T				DGQ		PLATE, Transmission Clutch Reaction
		1	J				DGQ		
6	04799863AA	1	T				DGQ		SNAP RING
		1	J				DGQ		
7	04799640	1	T				DGQ		SPRING, Low/Reverse Clutch Piston
		1	J				DGQ		
8	04799635	1	T				DGQ		RETAINER, Clutch
		1	J				DGQ		
9	04799086	1	T				DGQ		BLEED ORIFICE, Transmission
		1	J				DGQ		

GRAND CHEROKEE (WJ)

SERIES LINE
H = Laredo T = JEEP - 2WD
P = Limited J = JEEP - 4WD

BODY
74 = SPORT UTILITY 4-DR

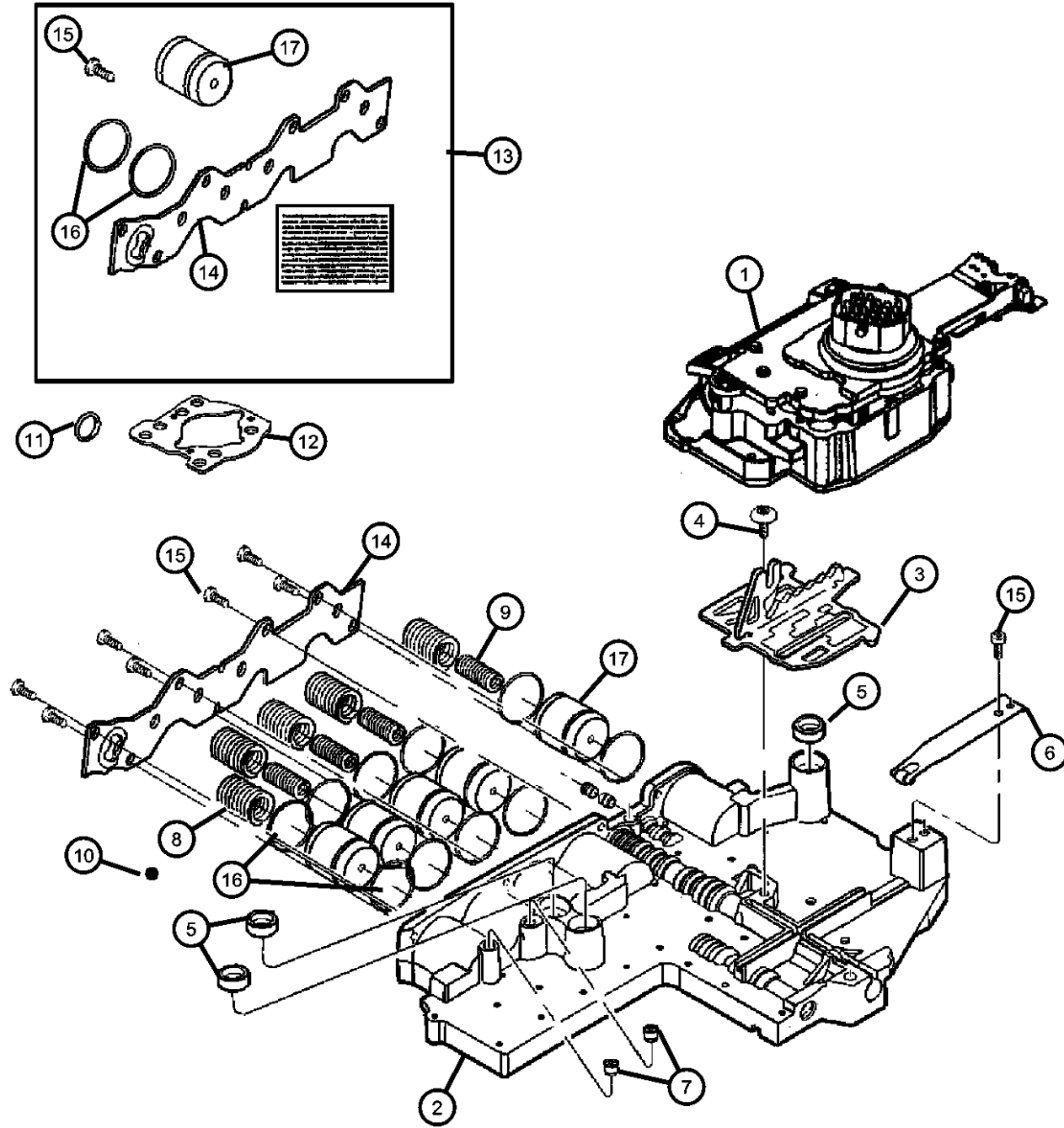
ENGINE
ERH = ENGINE - 4.0L
POWER TECH I-6
EVA = ENGINE- 4.7L V8 MPI

TRANSMISSION
DGK = TRANSMISSION - 4-SPD.
AUTOMATIC, 42RE
DGQ = TRANSMISSION-5SPD
AUTOMATIC 5-45RFE
DGO = ALL AUTOMATIC
TRANSMISSIONS

AR = use ase required - = Non illustrated part

2001 WJ

**Valve Body 45RFE [DGQ]
Figure 45RFE-710**



ITEM	PART NUMBER	QTY	LINE	SERIES	BODY	ENGINE	TRANS	TRIM	DESCRIPTION
NOTES: Sales Codes [DGQ] = 45RFE Multi Speed Automatic Transmission									
1									SOLENOID, Transmission
	04799934AD	1	T				DGQ		
		1	J				DGQ		
2									VALVE BODY, Transfer Plate and Valve
	04799588	1	T				DGQ		
		1	J				DGQ		
3									PLATE, Manual Valve Cam
	04799654	1	T				DGQ		
		1	J				DGQ		
4									SCREW, Shoulder/Truss, M5x.8x12.5
	06501710	1	T				DGQ		
		1	J				DGQ		
5									SEAL, Clutch Feed
	04799778	3	T				DGQ		
		3	J				DGQ		
6									DETENT, Valve Body
	04799593	1	T				DGQ		
		1	J				DGQ		
7									BLEED ORIFICE, Transmission
	04799086	2	T				DGQ		
		2	J				DGQ		
8									SPRING, Accumulator
	04471880	5	T				DGQ		
		5	J				DGQ		
9									SPRING, Accumulator
	04567575	4	T				DGQ		
		4	J				DGQ		
10									BALL, Check
	04446602	7	T				DGQ		
		7	J				DGQ		
11									O RING, Control Valve

GRAND CHEROKEE (WJ)

SERIES LINE
H = Laredo T = JEEP - 2WD
P = Limited J = JEEP - 4WD

BODY
74 = SPORT UTILITY 4-DR

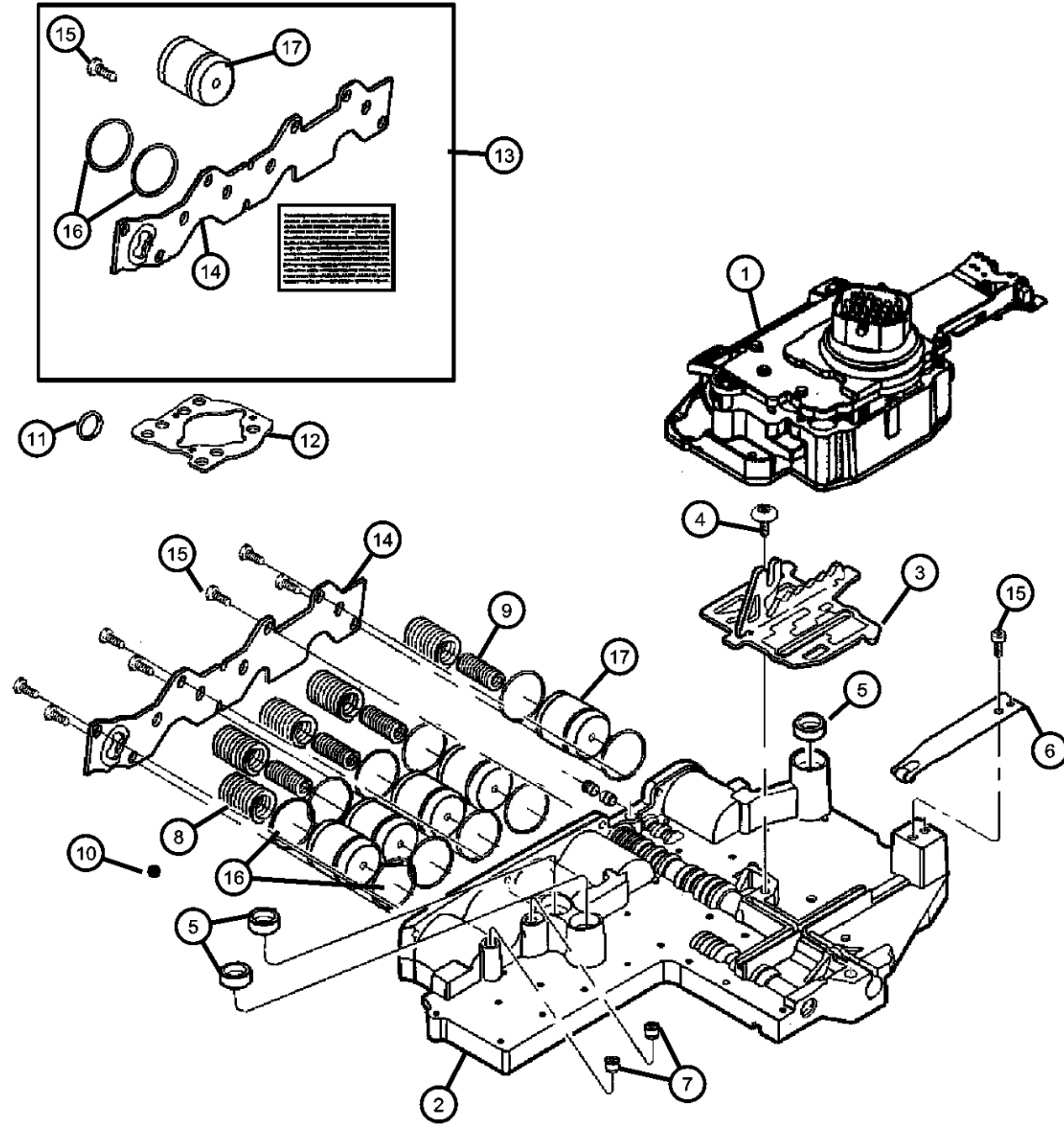
ENGINE
ERH = ENGINE - 4.0L
POWER TECH I-6
EVA = ENGINE- 4.7L V8 MPI

TRANSMISSION
DGK = TRANSMISSION - 4-SPD.
AUTOMATIC, 42RE
DGQ = TRANSMISSION-5SPD
AUTOMATIC 5-45RFE
DGO = ALL AUTOMATIC
TRANSMISSIONS

AR = use ase required - = Non illustrated part

2001 WJ

Valve Body 45RFE [DGQ]
Figure 45RFE-710



ITEM	PART NUMBER	QTY	LINE	SERIES	BODY	ENGINE	TRANS	TRIM	DESCRIPTION
	06505335AA	1	T				DGQ		
		1	J				DGQ		
12	04799986AA	1	T				DG4		SEAL, Insulator
		1	J				DG4		
13	05174633AA	1	T				DGQ		ACCUMULATOR KIT, Accumulator Cover
		1	J				DGQ		
14	04799598AB	1	T				DGQ		COVER, Accumulator
		1	J				DGQ		
15	06503232	7	T				DG4		SCREW, Pan Head, M5 x 0.8 x 12.60
		7	J				DG4		
16	04446544	10	T				DGQ		SEAL, Accumulator
		10	J				DGQ		
17	04446620	5	T				DGQ		PISTON, Accumulator
		5	J				DGQ		

GRAND CHEROKEE (WJ)

SERIES LINE
H = Laredo T = JEEP - 2WD
P = Limited J = JEEP - 4WD

BODY
74 = SPORT UTILITY 4-DR

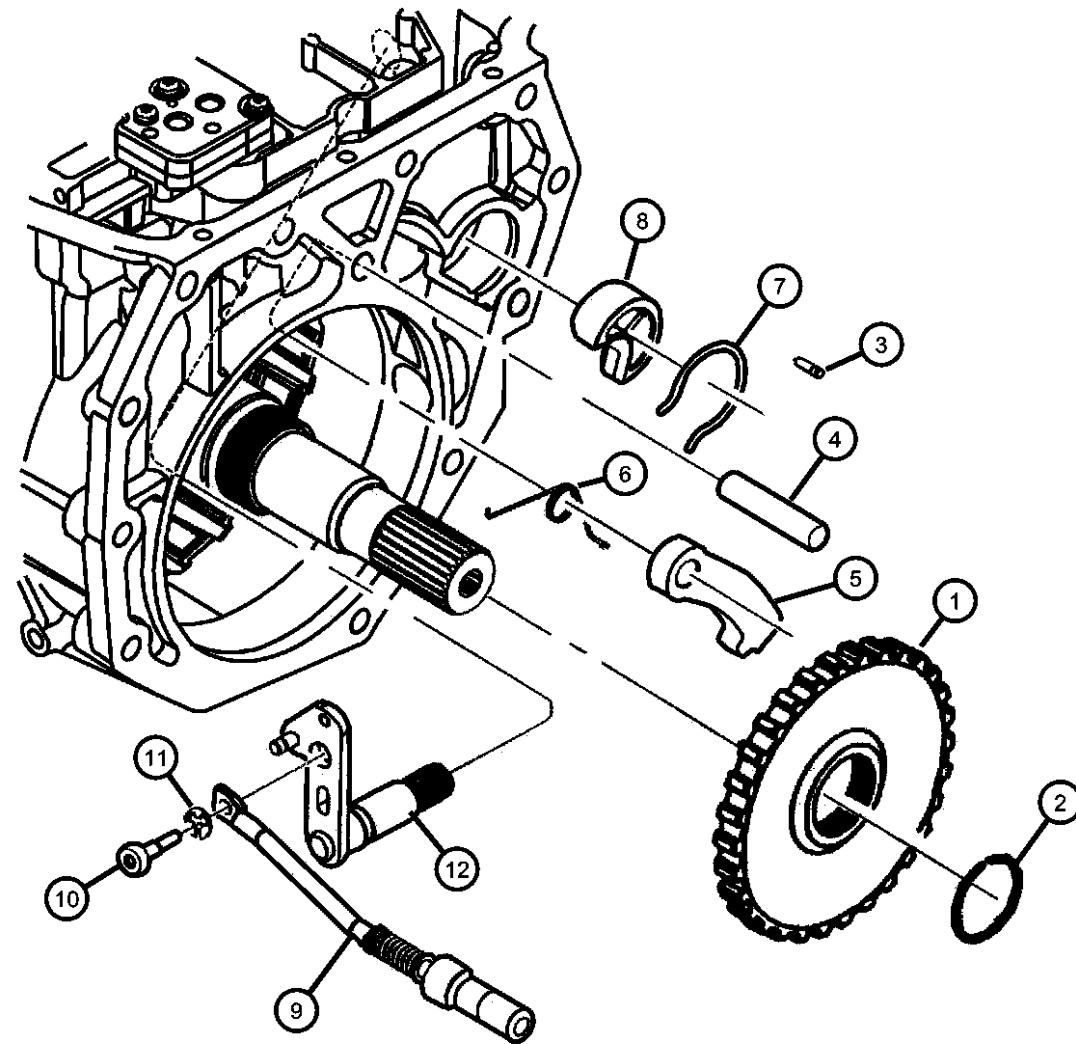
ENGINE
ERH = ENGINE - 4.0L
POWER TECH I-6
EVA = ENGINE- 4.7L V8 MPI

TRANSMISSION
DGK = TRANSMISSION - 4-SPD.
AUTOMATIC, 42RE
DGQ = TRANSMISSION-5SPD
AUTOMATIC 5-45RFE
DGO = ALL AUTOMATIC
TRANSMISSIONS

AR = use ase required - = Non illustrated part

2001 WJ

**Parking Sprag 45RFE [DGQ]
Figure 45RFE-730**



ITEM	PART NUMBER	QTY	LINE	SERIES	BODY	ENGINE	TRANS	TRIM	DESCRIPTION
NOTES: Sales Codes [DGQ] = 45RFE Multi Speed Automatic Transmission									
1									SPRAG, Transmission Parking
	04799493	1	T				DGQ		
		1	J				DGQ		
2									SNAP RING, Transmission
	04799704	1	T				DGQ		
		1	J				DGQ		
3									PIN
	00456636	1	T				DGQ		
		1	J				DGQ		
4									SHAFT, Parking Pawl
	04799450	1	T				DGQ		
		1	J				DGQ		
5									PAWL, Parking Sprag
	04799744AC	1	T				DGQ		
		1	J				DGQ		
6									SPRING, Torsion
	04799451	1	T				DGQ		
		1	J				DGQ		
7									SNAP RING
	04799313	1	T				DGQ		
		1	J				DGQ		
8									GUIDE, Parking Sprag Pawl
	04799774	1	T				DGQ		
		1	J				DGQ		
9									ROD, Parking Sprag
	04799611	1	T				DGQ		
		1	J				DGQ		
10									SCREW, M6x1x30
	06504548	1	T				DGQ		
		1	J				DGQ		
11									SNAP RING, Rod
	06035256	1	T				DGQ		

GRAND CHEROKEE (WJ)

SERIES LINE
H = Laredo T = JEEP - 2WD
P = Limited J = JEEP - 4WD

BODY
74 = SPORT UTILITY 4-DR

ENGINE
ERH = ENGINE - 4.0L
POWER TECH I-6
EVA = ENGINE- 4.7L V8 MPI

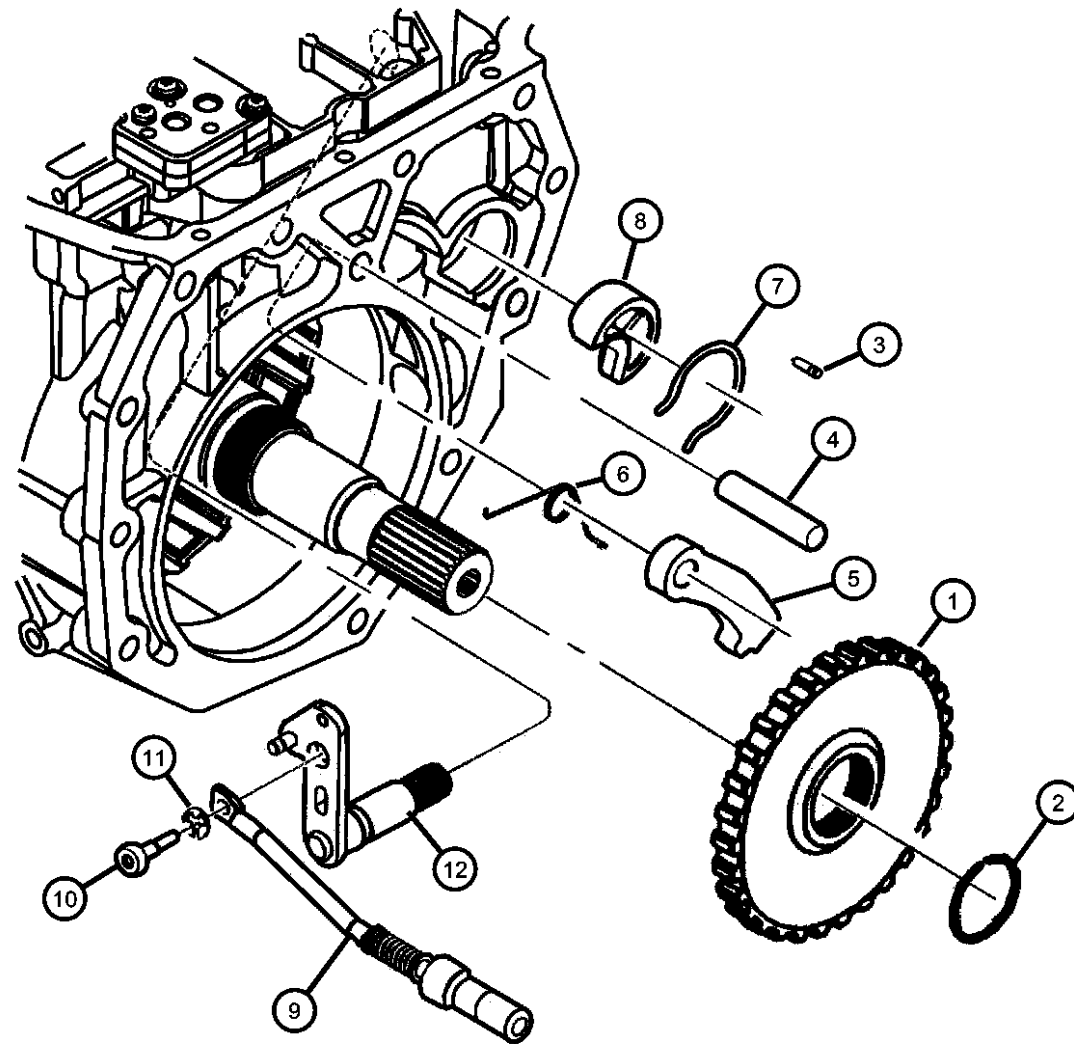
TRANSMISSION
DGK = TRANSMISSION - 4-SPD.
AUTOMATIC, 42RE
DGQ = TRANSMISSION-5SPD
AUTOMATIC 5-45RFE
DGO = ALL AUTOMATIC
TRANSMISSIONS

AR = use ase required - = Non illustrated part

2001 WJ

Parking Sprag 45RFE [DGQ]
Figure 45RFE-730

ITEM	PART NUMBER	QTY	LINE	SERIES	BODY	ENGINE	TRANS	TRIM	DESCRIPTION
		1	J				DGQ		
12		1	T				DGQ		LEVER, Shift Shaft
	04799453	1	J				DGQ		



GRAND CHEROKEE (WJ)

SERIES LINE
H = Laredo T = JEEP - 2WD
P = Limited J = JEEP - 4WD

BODY
74 = SPORT UTILITY 4-DR

ENGINE
ERH = ENGINE - 4.0L
POWER TECH I-6
EVA = ENGINE- 4.7L V8 MPI

TRANSMISSION
DGK = TRANSMISSION - 4-SPD.
AUTOMATIC, 42RE
DGQ = TRANSMISSION-5SPD
AUTOMATIC 5-45RFE
DGO = ALL AUTOMATIC
TRANSMISSIONS

AR = use ase required - = Non illustrated part

2001 WJ

**Gearshift Controls 45RFE [DGQ]
Figure 45RFE-1210**

ITEM	PART NUMBER	QTY	LINE	SERIES	BODY	ENGINE	TRANS	TRIM	DESCRIPTION
------	-------------	-----	------	--------	------	--------	-------	------	-------------

NOTES: Sales Codes
[DG0] = All Automatic Transmissions
DGQ = 45RFE Multi Speed Automatic Transmission
DSB = Vari-Lok Progressive Front Axle

1									HOUSING AND LEVER, Shifter
	52104147AB	1	T				DG0		[2WD]
	52104149AC	1	J				DG0		With [DHP]
	52104151AB	1	J				DG0		With [DHF] Without [DSB]
	52104374AB	1	J				DG0		With [DHF] And [DSB]
2	06101695	4							NUT, Hex Flange Lock, M8x1.25
3	52104054AB	1					DG0		CABLE, Park Interlock
4	52104060AC	1					DG0		CABLE, Gearshift Control
5	52104218AB	1	J				DG0		CABLE, Gearshift Control
6	04269830	2	J						CLIP, Cable
7	06101758	2					DGQ		SCREW, Hex Head, M8x1.25x20
8	52104371AB	1					DGQ		BRACKET, Shift Cable
9	52104177	1					DGQ		LEVER, Manual Control

GRAND CHEROKEE (WJ)

SERIES	LINE
H = Laredo	T = JEEP - 2WD
P = Limited	J = JEEP - 4WD

BODY
74 = SPORT UTILITY 4-DR

ENGINE
ERH = ENGINE - 4.0L POWER TECH I-6 EVA = ENGINE- 4.7L V8 MPI

TRANSMISSION
DGK = TRANSMISSION - 4-SPD. AUTOMATIC, 42RE DGQ = TRANSMISSION-5SPD AUTOMATIC 5-45RFE DGO = ALL AUTOMATIC TRANSMISSIONS

AR = use ase required - = Non illustrated part

2001 WJ

LR Clutch 45RFE [DGQ]

Figure 45RFE-1302

LR CLUTCH PACKAGE 05013091aa

	D-ring, external (L/R piston outer)
	D-ring, internal (L/R piston inner)
(6)	Plate, clutch separator (1.74mm thk)
(6)	Disc assy, clutch (L/R)
	Snap ring, flat (1.5/1.6 thk)
	Snap ring, flat (2.03/2.13 thk)
	Snap ring, flat (2.54/2.68 thk)
(2)	Retainer, c-clip

①

ITEM	PART NUMBER	QTY	LINE	SERIES	BODY	ENGINE	TRANS	TRIM	DESCRIPTION
------	-------------	-----	------	--------	------	--------	-------	------	-------------

NOTES: Sales Codes
[DGQ] = 45RFE Multi Speed Automatic Transmission

1									CLUTCH PACKAGE, Automatic Transmission, Low/Reverse
	05013091AA	1	T				DGQ		
		1	J				DGQ		

GRAND CHEROKEE (WJ)

SERIES	LINE	BODY	ENGINE	TRANSMISSION
H = Laredo	T = JEEP - 2WD	74 = SPORT UTILITY 4-DR	ERH = ENGINE - 4.0L POWER TECH I-6	DGK = TRANSMISSION - 4-SPD. AUTOMATIC, 42RE
P = Limited	J = JEEP - 4WD		EVA = ENGINE- 4.7L V8 MPI	DGQ = TRANSMISSION-5SPD AUTOMATIC 5-45RFE
				DGO = ALL AUTOMATIC TRANSMISSIONS

AR = use ase required - = Non illustrated part

**Input Clutch Plate 45RFE [DGQ]
Figure 45RFE-1303**

ITEM	PART NUMBER	QTY	LINE	SERIES	BODY	ENGINE	TRANS	TRIM	DESCRIPTION
------	-------------	-----	------	--------	------	--------	-------	------	-------------

SELECTIVE THRUST PLATES 05013093aa
INPUT CLUTCH THRUST PLATE PKG

Thrust plate, input clutc 1.52 / 1.61
Thrust plate, input clutc 1.66 / 1.75
Thrust plate, input clutc 1.80 / 1.89
Thrust plate, input clutc 1.94 / 2.03
Thrust plate, input clutc 2.08 / 2.17
Thrust plate, input clutc 2.22 / 2.31
Thrust plate, input clutc 2.36 / 2.45
Thrust plate, input clutc 2.50 / 2.59
Thrust plate, input clutc 2.64 / 2.73
Thrust plate, input clutc 2.78 / 2.87
Thrust plate, input clutc 2.92 / 3.01
Thrust plate, input clutc 3.06 / 3.15
Thrust plate, input clutc 3.20 / 3.29
Thrust plate, input clutc 3.34 / 3.43
Thrust plate, input clutc 3.62 / 3.71

NOTES: Sales Codes
[DGQ] = 45RFE Multi Speed Automatic Transmission

1									PLATE PACKAGE, Input Clutch Thrust
	05013093AA	1	T				DGQ		
		1	J				DGQ		

GRAND CHEROKEE (WJ)

SERIES	LINE	BODY	ENGINE	TRANSMISSION
H = Laredo	T = JEEP - 2WD	74 = SPORT UTILITY 4-DR	ERH = ENGINE - 4.0L POWER TECH I-6	DGK = TRANSMISSION - 4-SPD. AUTOMATIC, 42RE
P = Limited	J = JEEP - 4WD		EVA = ENGINE- 4.7L V8 MPI	DGQ = TRANSMISSION-5SPD AUTOMATIC 5-45RFE DGO = ALL AUTOMATIC TRANSMISSIONS

AR = use ase required - = Non illustrated part

2001 WJ

OVERHAUL 45RFE [DGQ]
Figure 45RFE-1304

ITEM	PART NUMBER	QTY	LINE	SERIES	BODY	ENGINE	TRANS	TRIM	DESCRIPTION
------	-------------	-----	------	--------	------	--------	-------	------	-------------

NOTES: Sales Codes
[DGQ] = 45RFE Multi Speed Automatic Transmission

1									OVERHAUL PACKAGE, Transmission
	05014221AG	1	T				DGQ		
		1	J				DGQ		

O/H seal/gasket package 05014221ac

	2&4 clutch package	
	Input clutch package	
	L/R clutch package	
	Sump filter & seal package	
	Cooler filter	
	fill tube sea	
	Frt pmp cover o-ring/seal assy	
	Rotating shaft seal,pmp hsg	
	Adapter seal, 4x4	
	Extension seal,4x2	
	Manual lever seal	
(2)	Speed sensor seal	
	Reaction supt ring seal	
	Rev O/D clutch filter	
(10)	Accumulator ring seal	
(3)	Valve body seal	
	Check valve o-ring	
	Solenoid insulator seal	
	T/C seal	

GRAND CHEROKEE (WJ)

SERIES	LINE	BODY	ENGINE	TRANSMISSION
H = Laredo	T = JEEP - 2WD	74 = SPORT UTILITY 4-DR	ERH = ENGINE - 4.0L POWER TECH I-6	DGK = TRANSMISSION - 4-SPD. AUTOMATIC,42RE
P = Limited	J = JEEP - 4WD		EVA = ENGINE- 4.7L V8 MPI	DGQ = TRANSMISSION-5SPD AUTOMATIC 5-45RFE DGO = ALL AUTOMATIC TRANSMISSIONS

AR = use ase required - = Non illustrated part

2001 WJ

**Input Clutch 45RFE [DGQ]
Figure 45RFE-1305**

INPUT CLUTCH PACKAGE 05013090aa

	O-ring, large (2.62mm x 79.84 ID,gm)
	O-ring, small (2.62mm x 70.56 ID,red)
(2)	Seal, internal lip
(2)	Ring seal, I-shaft
	O-ring, piston inner (2.62mm x 93.54 ID)
(5)	Plate, clutch separator (1.74mm thk)
(4)	Disc assy, clutch (u/d clutch)
(4)	Disc assy, clutch (o/d clutch)
(3)	PLate, clutch separator (2.21mm thk, O/D)
(2)	Disc assy, clutch (rev clutch)
	Snap ring,tapered, internal butterfly end
	Snap ring, flat (1.5/1.6 thk)
	Snap ring, flat (1.80/1.90 thk)
	Snap ring, flat (2.15/2.25 thk)
	Piston & seal, underdrive
	Piston & seal, underdrive balance

1

ITEM	PART NUMBER	QTY	LINE	SERIES	BODY	ENGINE	TRANS	TRIM	DESCRIPTION
------	-------------	-----	------	--------	------	--------	-------	------	-------------

NOTES: Sales Codes
[DGQ] = 45RFE Multi Speed Automatic Transmission

1									CLUTCH PACKAGE, Automatic Transmission, Input
	05013090AB	1	T				DGQ		
		1	J				DGQ		

GRAND CHEROKEE (WJ)

SERIES	LINE	BODY	ENGINE	TRANSMISSION
H = Laredo	T = JEEP - 2WD	74 = SPORT UTILITY 4-DR	ERH = ENGINE - 4.0L POWER TECH I-6	DGK = TRANSMISSION - 4-SPD. AUTOMATIC,42RE
P = Limited	J = JEEP - 4WD		EVA = ENGINE- 4.7L V8 MPI	DGQ = TRANSMISSION-5SPD AUTOMATIC 5-45RFE
				DGO = ALL AUTOMATIC TRANSMISSIONS

AR = use ase required - = Non illustrated part

**Planetary Plate 45RFE [DGQ]
Figure 45RFE-1306**

ITEM	PART NUMBER	QTY	LINE	SERIES	BODY	ENGINE	TRANS	TRIM	DESCRIPTION
------	-------------	-----	------	--------	------	--------	-------	------	-------------

NOTES: Sales Codes
[DGQ] = 45RFE Multi Speed Automatic Transmission

SELECTIVE THRUST PLATES
PLANETARY THRUST PLATE PKG 05013092aa 1

Thrust plate, planetary	1.62 / 1.75
Thrust plate, planetary	1.81 / 1.94
Thrust plate, planetary	1.96 / 2.09
Thrust plate, planetary	2.11 / 2.24
Thrust plate, planetary	2.26 / 2.39
Thrust plate, planetary	2.41 / 2.54
Thrust plate, planetary	2.56 / 2.69
Thrust plate, planetary	2.71 / 2.84
Thrust plate, planetary	2.86 / 2.99
Thrust plate, planetary	3.01 / 3.14
Thrust plate, planetary	3.16 / 3.29
Thrust plate, planetary	3.31 / 3.44
Thrust plate, planetary	3.46 / 3.59
Thrust plate, planetary	3.61 / 3.74
Thrust plate, planetary	3.76 / 3.89
Thrust plate, planetary	3.91 / 4.04
Thrust plate, planetary	4.06 / 4.19
Thrust plate, planetary	4.21 / 4.34
Thrust plate, planetary	4.36 / 4.49

1									PLATE PACKAGE, Planetary Thrust
	05013092AA	1	T				DGQ		
		1	J				DGQ		

GRAND CHEROKEE (WJ)

SERIES	LINE	BODY	ENGINE	TRANSMISSION
H = Laredo	T = JEEP - 2WD	74 = SPORT UTILITY 4-DR	ERH = ENGINE - 4.0L POWER TECH I-6	DGK = TRANSMISSION - 4-SPD. AUTOMATIC, 42RE
P = Limited	J = JEEP - 4WD		EVA = ENGINE- 4.7L V8 MPI	DGQ = TRANSMISSION-5SPD AUTOMATIC 5-45RFE
				DGO = ALL AUTOMATIC TRANSMISSIONS

AR = use ase required - = Non illustrated part

2001 WJ

2&4 Clutch [DGQ]
Figure 45RFE-1310

ITEM	PART NUMBER	QTY	LINE	SERIES	BODY	ENGINE	TRANS	TRIM	DESCRIPTION
------	-------------	-----	------	--------	------	--------	-------	------	-------------

NOTES: Sales Codes
[DGQ] = 45RFE Multi Speed Automatic Transmission

1

CLUTCH PACKAGE, Automatic
Transmission, 2/4

	05013087AB	1	T				DGQ		
		1	J				DGQ		

2&4 CLUTCH PACKAGE 05013087aa

(2)	Disc assy, clutch (2nd clutch)
(2)	Plate, clutch separator
	D-ring, external (2nd outer)
	D-ring, internal (2nd inner)
	D-ring, internal (4th outer)
	D-ring, internal (4th inner)
(3)	Plate, clutch separator (4th clutch)
(3)	Disc assy, clutch (4th clutch)
	Snap ring (4th, 1.74/1.84 thk)
	Snap ring (4th, 2.15/2.25 thk)
	Snap ring (4th, 2.56/2.66 thk)

GRAND CHEROKEE (WJ)

SERIES LINE
H = Laredo T = JEEP - 2WD
P = Limited J = JEEP - 4WD

BODY
74 = SPORT UTILITY 4-DR

ENGINE
ERH = ENGINE - 4.0L
POWER TECH I-6
EVA = ENGINE- 4.7L V8 MPI

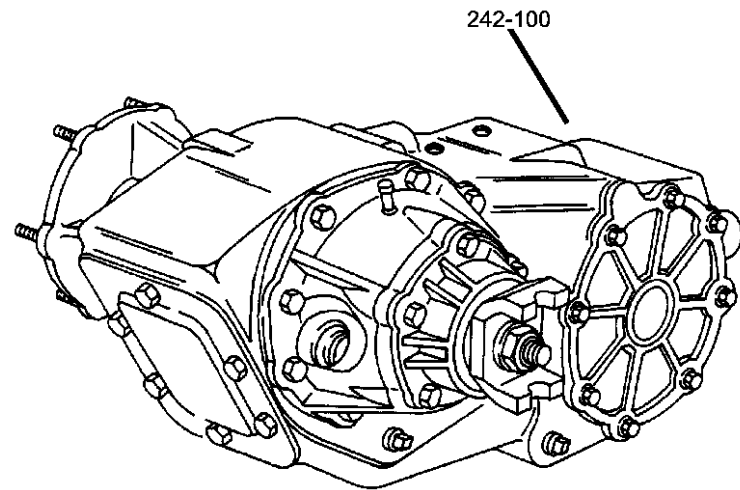
TRANSMISSION
DGK = TRANSMISSION - 4-SPD.
AUTOMATIC, 42RE
DGQ = TRANSMISSION-5SPD
AUTOMATIC 5-45RFE
DGO = ALL AUTOMATIC
TRANSMISSIONS

AR = use ase required - = Non illustrated part

2001 WJ

Group - 242

Transfer Case Model 242 [DHC, DHP]



Group - 242 Transfer Case Model 242 [DHC, DHP]

Illustration Title

Group-Fig. No.

Transfer Case Assembly

Transfer Case Select Trac [DHP] Fig. 242 - 110

Case and Related Parts

Case and Related Parts Select Trac [DHP] Fig. 242 - 210

Gear Train

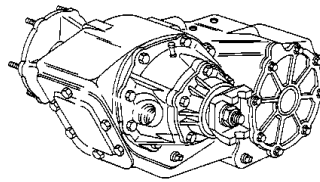
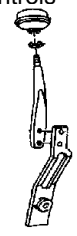
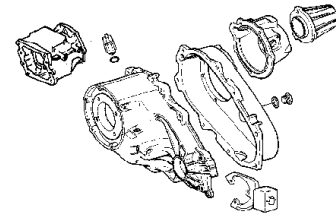
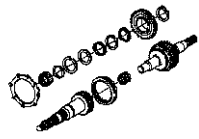
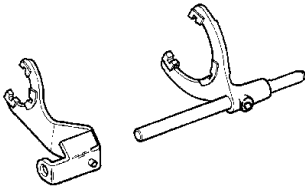
Gear Train Select Trac [DHP] Fig. 242 - 410

Fork and Rails

Fork and Rails Select Trac [DHP] Fig. 242 - 910

Gearshift Controls

Gearshift Controls Select Trac [DHP] Fig. 242 - 1210

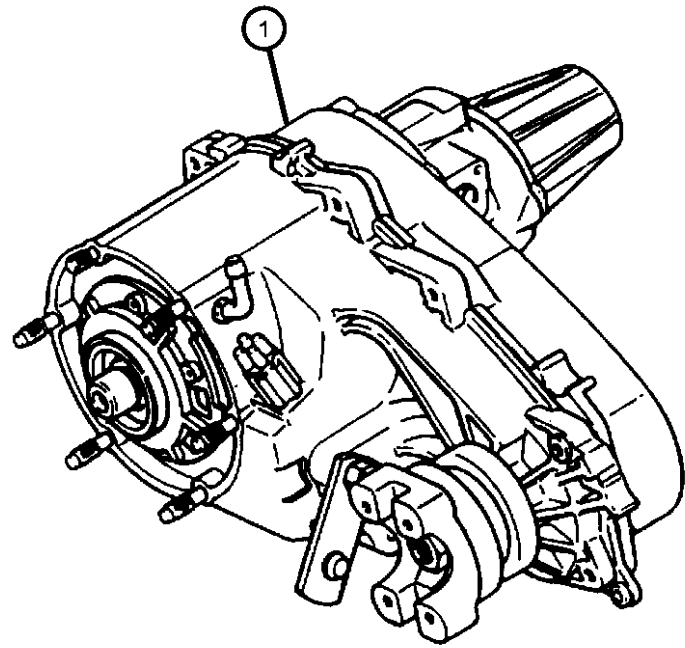
<p>242-100 Transfer Case Assembly</p> 	<p>242-1200 Gearshift Controls</p> 	<p>242-200 Case and Related Parts</p> 	<p>242-400 Gear Train</p> 
<p>242-900 Fork and Rails</p> 			

**Transfer Case Select Trac [DHP]
Figure 242-110**

ITEM	PART NUMBER	QTY	LINE	SERIES	BODY	ENGINE	TRANS	TRIM	DESCRIPTION
------	-------------	-----	------	--------	------	--------	-------	------	-------------

NOTES: Sales Codes
 [ER0] = All 4.0L 6 Cylinder Gas Engines
 [EV0] = All 4.7L Gas Engines

1									TRANSFER CASE, NP242
	52098875AC	1	J			ER0			
	52111004AB	1	J			EV0			



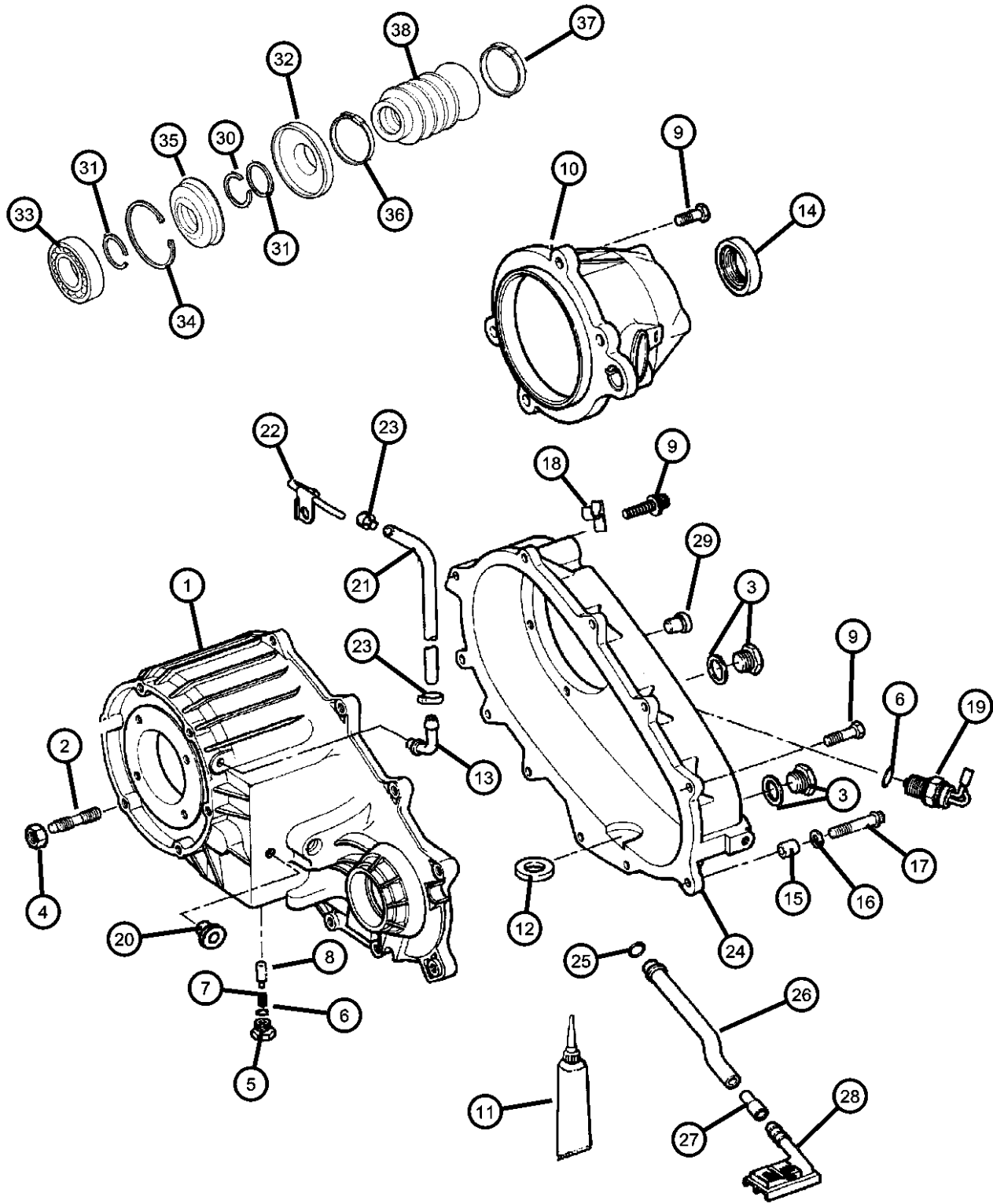
GRAND CHEROKEE (WJ)

SERIES	LINE	BODY	ENGINE	TRANSMISSION
H = Laredo	T = JEEP - 2WD	74 = SPORT UTILITY 4-DR	ERH = ENGINE - 4.0L POWER TECH I-6	DGK = TRANSMISSION - 4-SPD. AUTOMATIC, 42RE
P = Limited	J = JEEP - 4WD		EVA = ENGINE- 4.7L V8 MPI	DGQ = TRANSMISSION-5SPD AUTOMATIC 5-45RFE DGO = ALL AUTOMATIC TRANSMISSIONS

AR = use ase required - = Non illustrated part

2001 WJ

**Case and Related Parts Select Trac [DHP]
Figure 242-210**



ITEM	PART NUMBER	QTY	LINE	SERIES	BODY	ENGINE	TRANS	TRIM	DESCRIPTION
NOTES: Sales Codes [ER0] = All 4.0L Gas Engines [EV0] = All 4.7L Gas Engines									
1									CASE, Transfer Front
	05014045AA	1	J			ER0			
		1	J			EV0			
2									STUD
	04505365	6	J			ER0			
	05012310AA	6	J			EV0			
3									PLUG, Oil Fill
	04856641	1	J			ER0			
		2	J			EV0			
4	J4006681	6	J						NUT AND CONED WASHER, Hex, .375-24
5									SCREW
	04886473AA	1	J			ER0			
		1	J			EV0			
6									SEAL, Vacuum Switch
	04338956	1	J			ER0			
		1	J			EV0			
7									SPRING, Poppet Plunger
	05003445AA	1	J			ER0			
		1	J			EV0			
8									PLUNGER
	05003444AA	1	J			ER0			
		1	J			EV0			
9									BOLT, Transfer Case
	04210617	4	J			ER0			
		4	J			EV0			
10									RETAINER, Transfer Case Rear
	05003456AA	1	J			EV0			
	05012347AA	1	J			ER0			
11	05010884AA	1	J			EV0			SEALANT, RTV
12									MAGNET, Transmission
	03681601	1	J			ER0			

GRAND CHEROKEE (WJ)

SERIES LINE
H = Laredo T = JEEP - 2WD
P = Limited J = JEEP - 4WD

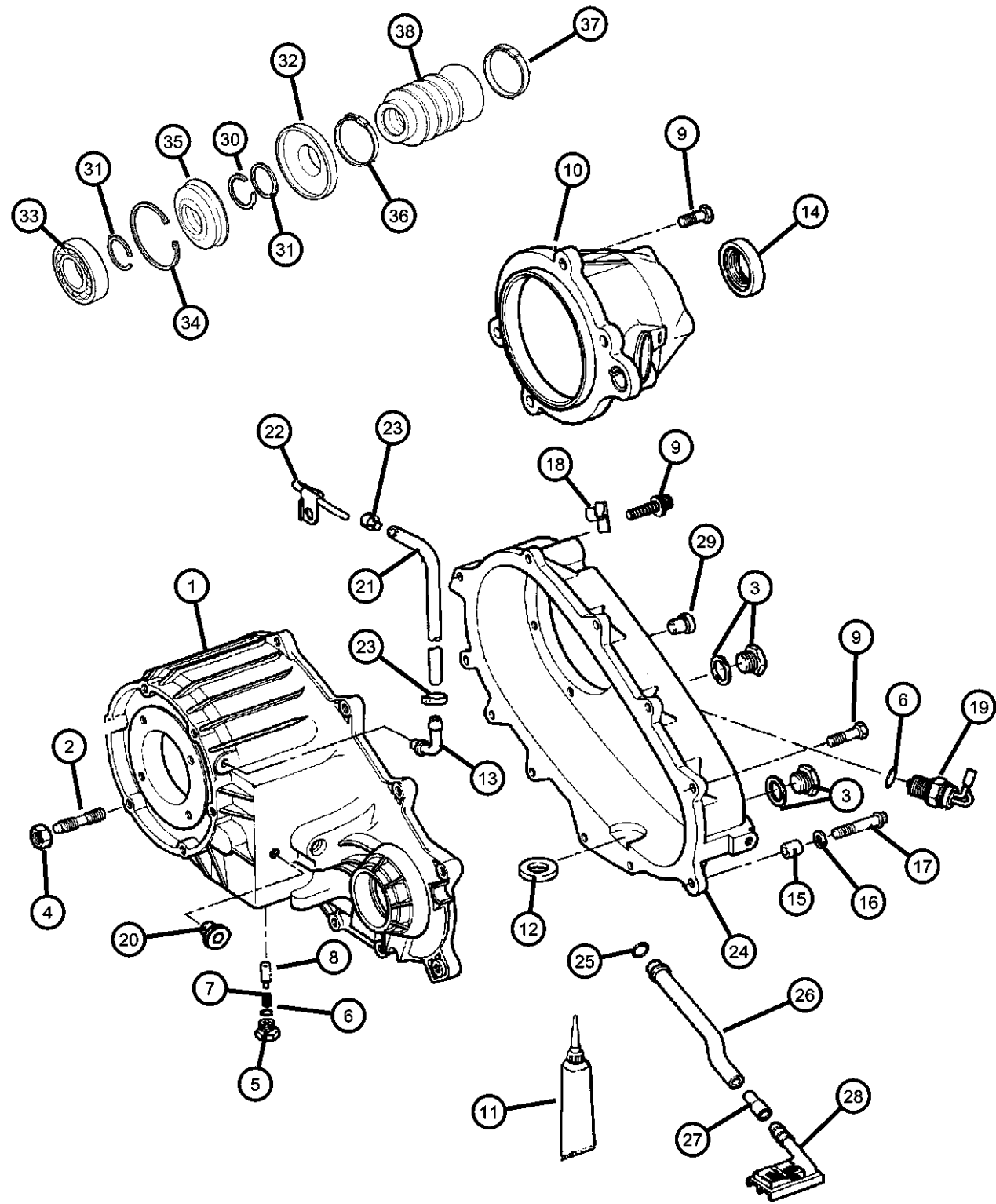
BODY
74 = SPORT UTILITY 4-DR

ENGINE
ERH = ENGINE - 4.0L
POWER TECH I-6
EVA = ENGINE- 4.7L V8 MPI

TRANSMISSION
DGK = TRANSMISSION - 4-SPD.
AUTOMATIC, 42RE
DGG = TRANSMISSION-5SPD
AUTOMATIC 5-45RFE
DGO = ALL AUTOMATIC
TRANSMISSIONS

AR = use ase required - = Non illustrated part

**Case and Related Parts Select Trac [DHP]
Figure 242-210**



ITEM	PART NUMBER	QTY	LINE	SERIES	BODY	ENGINE	TRANS	TRIM	DESCRIPTION
		1	J			EVO			
13		1	J			ER0			VENT, Transfer Case
	04796910	1	J			ER0			
		1	J			EVO			
14	04798117	1	J			ER0			SEAL, Output Shaft, Rear
15	04116310	2	J			EVO			DOWEL, Transfer Case
16									WASHER, Flat
	04210983	2	J			ER0			
		2	J			EVO			
17	04210614	4	J			EVO			BOLT, Hex Flange Head
18	04210614	4							CLIP, (NOT REQUIRED)
19									SWITCH, Transfer Case Mode
	56006755	1	J			ER0			
		1	J			EVO			
20									PLUG
	00015105	1	J			ER0			
	05066087AA	1	J			EVO			
21	05066087AA	1							HOSE, Fuel, .31 I.D. 50 Foot Roll, Serviced In Bulk Roll, (NOT SERVICED)
22	53007494	1	J						VENT, Transfer Case
23	06502081	2	J						CLAMP, Oil Cooler Line
24									CASE, Transfer Case Rear
	04886373AA	1	J			ER0			
	05013858AA	1	J			EVO			
25									SEAL, Oil
	04338942	1	J			ER0			
		1	J			EVO			
26									TUBE, Oil Pickup
	05003455AA	1	J			EVO			
	83503523	1	J			ER0			
27									CONNECTOR, Oil Tube Pickup
	04338944	1	J			ER0			
		1	J			EVO			

GRAND CHEROKEE (WJ)

SERIES LINE
H = Laredo T = JEEP - 2WD
P = Limited J = JEEP - 4WD

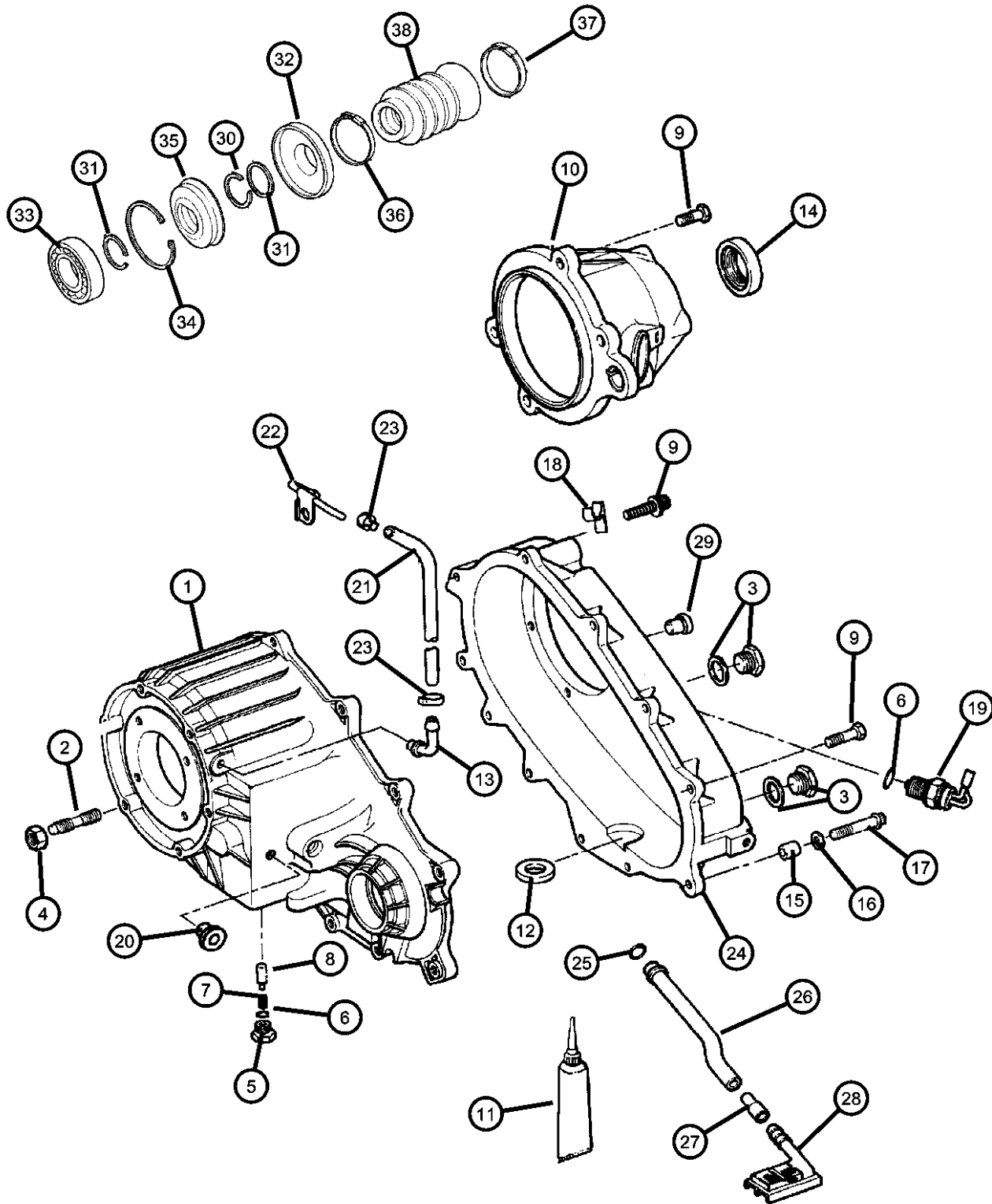
BODY
74 = SPORT UTILITY 4-DR

ENGINE
ERH = ENGINE - 4.0L
POWER TECH I-6
EVA = ENGINE- 4.7L V8 MPI

TRANSMISSION
DGK = TRANSMISSION - 4-SPD.
AUTOMATIC, 42RE
DGQ = TRANSMISSION-5SPD
AUTOMATIC 5-45RFE
DGO = ALL AUTOMATIC
TRANSMISSIONS

AR = use ase required - = Non illustrated part

Case and Related Parts Select Trac [DHP]
Figure 242-210



ITEM	PART NUMBER	QTY	LINE	SERIES	BODY	ENGINE	TRANS	TRIM	DESCRIPTION
28									FILTER, Transfer Case Oil
	04338943	1	J			ER0			
		1	J			EVO			
29									BOLT, Twelve Point Head, M10x1.5x48
	J8130979	1	J			EVO			
		1	J			ER0			
30		1							SNAP RING, (NOT REQUIRED)
31		1							WASHER, (NOT REQUIRED)
32	05016615AA	1	J			ER0			SLINGER, Oil
33	04338892	1	J			ER0			BEARING
34	04798116	1	J			ER0			SNAP RING
35	05003419AA	1	J			EVO			SEAL, Output Shaft
36	04798121	1	J			ER0			CLAMP, Boot
37	04798122	1	J			ER0			CLAMP, Boot
38	04798123	1	J			ER0			BOOT, Driveshaft

GRAND CHEROKEE (WJ)

SERIES LINE
H = Laredo T = JEEP - 2WD
P = Limited J = JEEP - 4WD

BODY
74 = SPORT UTILITY 4-DR

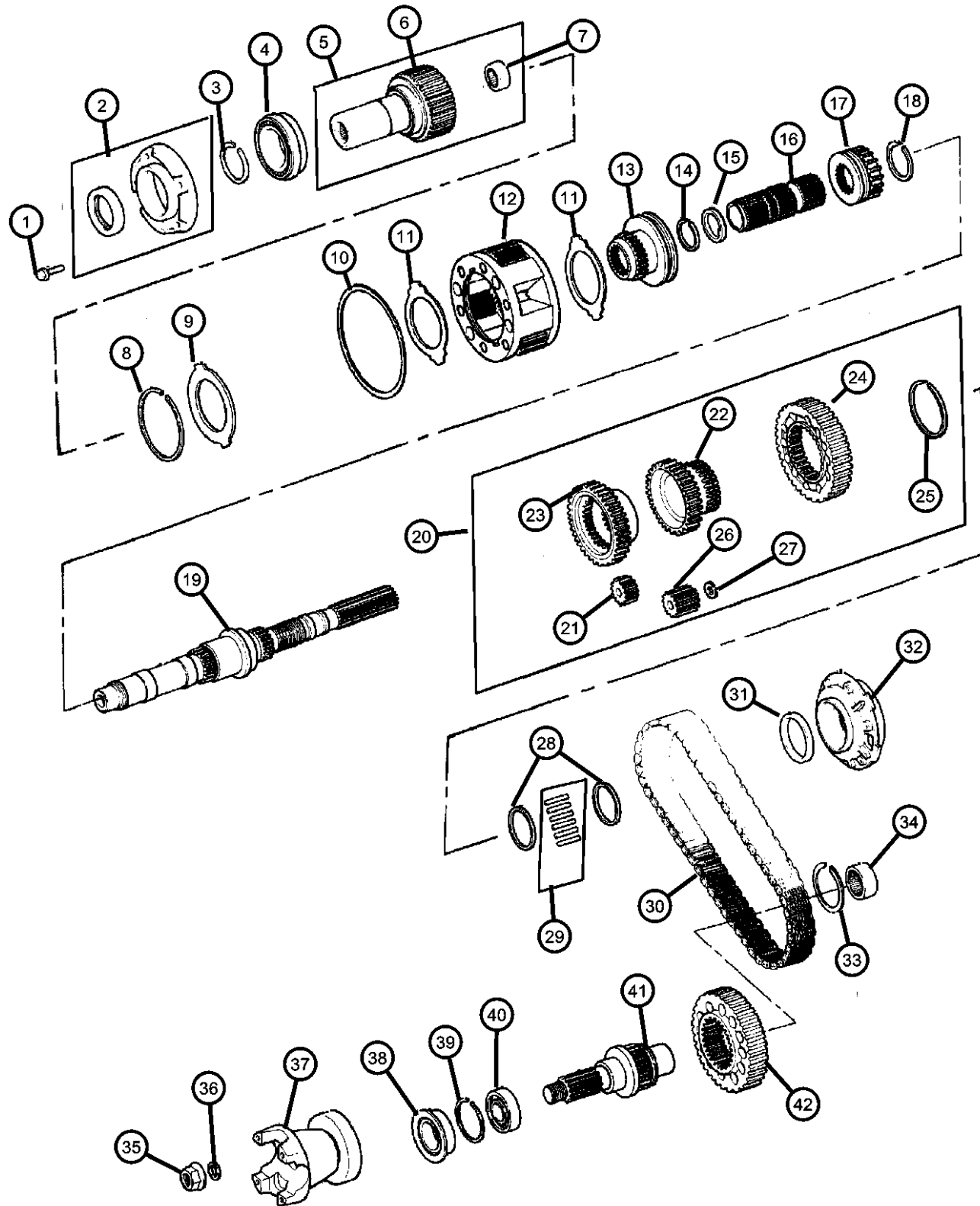
ENGINE
ERH = ENGINE - 4.0L
POWER TECH I-6
EVA = ENGINE- 4.7L V8 MPI

TRANSMISSION
DGK = TRANSMISSION - 4-SPD.
AUTOMATIC, 42RE
DGQ = TRANSMISSION-5SPD
AUTOMATIC 5-45RFE
DGO = ALL AUTOMATIC
TRANSMISSIONS

AR = use ase required - = Non illustrated part

2001 WJ

**Gear Train Select Trac [DHP]
Figure 242-410**



ITEM	PART NUMBER	QTY	LINE	SERIES	BODY	ENGINE	TRANS	TRIM	DESCRIPTION
------	-------------	-----	------	--------	------	--------	-------	------	-------------

NOTES: Sales Codes
[ER0] = All 4.0L Gas Engines
[EV0] = All 4.7L Gas Engines

1									BOLT
	06500318	4	J			ER0			
		4	J			EV0			
2									SEAL, Input Gear
	04167929	1	J			ER0			
		1	J			EV0			
3									RETAINER
	04338973	1	J			ER0			
		1	J			EV0			
4									SNAP RING
	03821558	1	J			ER0			
		1	J			EV0			
5									BEARING, Input Gear
	04746155	1	J			ER0			
		1	J			EV0			
6									GEAR, Input
	05003446AA	1	J			ER0			
	05012311AA	1	J			EV0			
7									BEARING, Input Shaft
	83503507	1	J			ER0			
		1	J			EV0			
8									SNAP RING
	04338910	1	J			ER0			
		1	J			EV0			
9									RING
	04338909	1	J			ER0			
		1	J			EV0			
10									SNAP RING, Annulus Gear
	04219065	1	J			ER0			
		1	J			EV0			
11									THRUST WASHER, Planetary Carrier

GRAND CHEROKEE (WJ)

SERIES LINE
H = Laredo T = JEEP - 2WD
P = Limited J = JEEP - 4WD

BODY
74 = SPORT UTILITY 4-DR

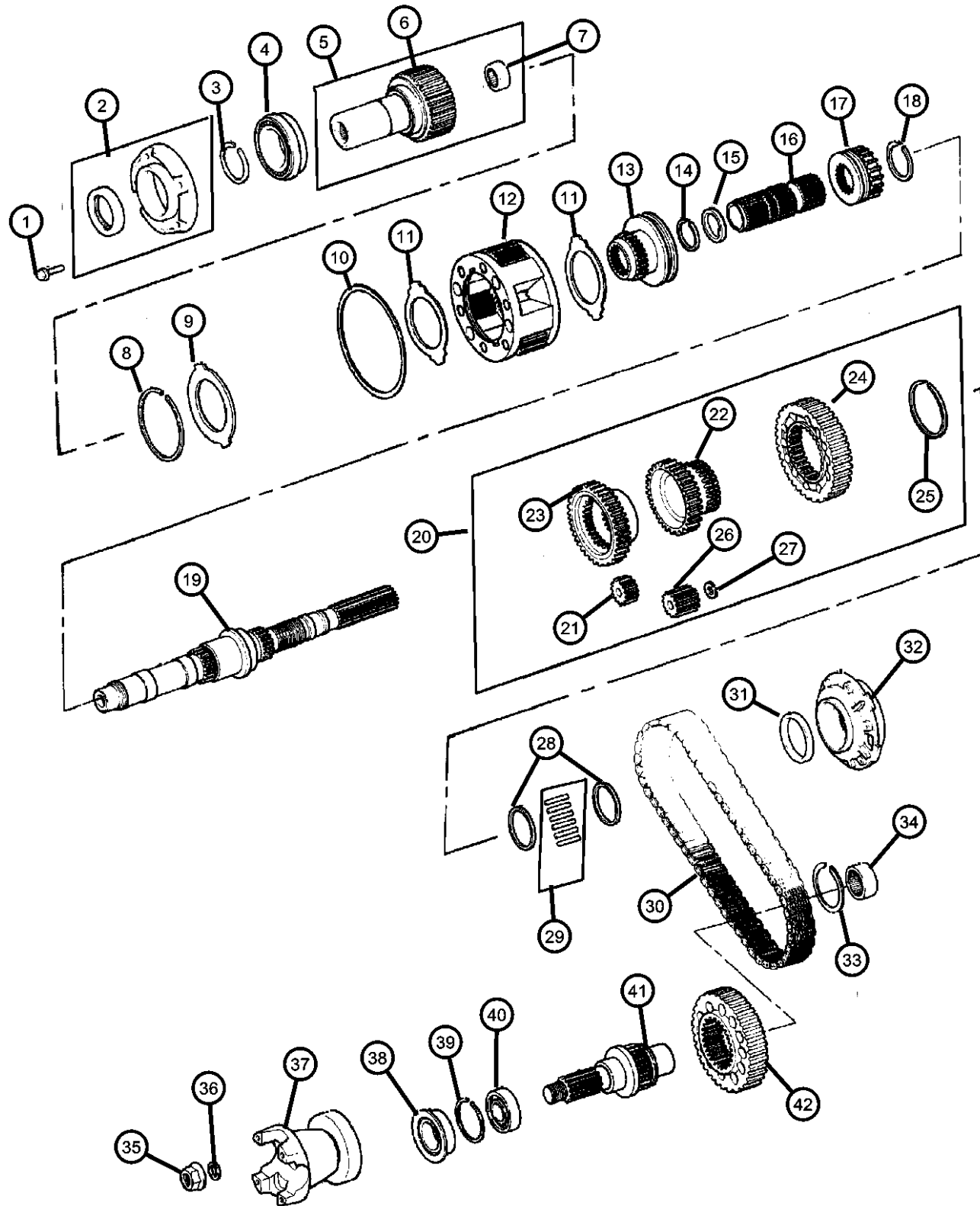
ENGINE
ERH = ENGINE - 4.0L
POWER TECH I-6
EVA = ENGINE- 4.7L V8 MPI

TRANSMISSION
DGK = TRANSMISSION - 4-SPD.
AUTOMATIC, 42RE
DGQ = TRANSMISSION-5SPD
AUTOMATIC 5-45RFE
DGO = ALL AUTOMATIC
TRANSMISSIONS

AR = use ase required - = Non illustrated part

2001 WJ

**Gear Train Select Trac [DHP]
Figure 242-410**



ITEM	PART NUMBER	QTY	LINE	SERIES	BODY	ENGINE	TRANS	TRIM	DESCRIPTION
	04338908	1	J			ER0			
		2	J			EV0			
12	04796903	1	J			ER0			PLANETARY, Transfer Case
		1	J			EV0			
13	04798279	1	J			EV0			SLEEVE, Shift Range
	05003746AA	1	J			ER0			
14									SNAP RING
	83503540	1	J			ER0			
		1	J			EV0			
15									WASHER, Intermediate Sleeve
	83503539	1	J			ER0			
		1	J			EV0			
16									SHAFT, Intermediate
	04798277	1	J			ER0			
		1	J			EV0			
17									SLEEVE, Mode Synchronizer
	83503542	1	J			ER0			
		1	J			EV0			
18									SNAP RING
	83503537	1	J			ER0			
		1	J			EV0			
19									MAINSHAFT, Transfer Case
	05003448AA	1	J			EV0			
	05016614AA	1	J			ER0			
20									DIFFERENTIAL, Transfer Case
	05003449AB	1	J			EV0			
	83503529	1	J			ER0			
21									GEAR, Planetary
	83504170	3	J			ER0			
		3	J			EV0			
22									SPROCKET, Transfer Case

GRAND CHEROKEE (WJ)

SERIES LINE
H = Laredo T = JEEP - 2WD
P = Limited J = JEEP - 4WD

BODY
74 = SPORT UTILITY 4-DR

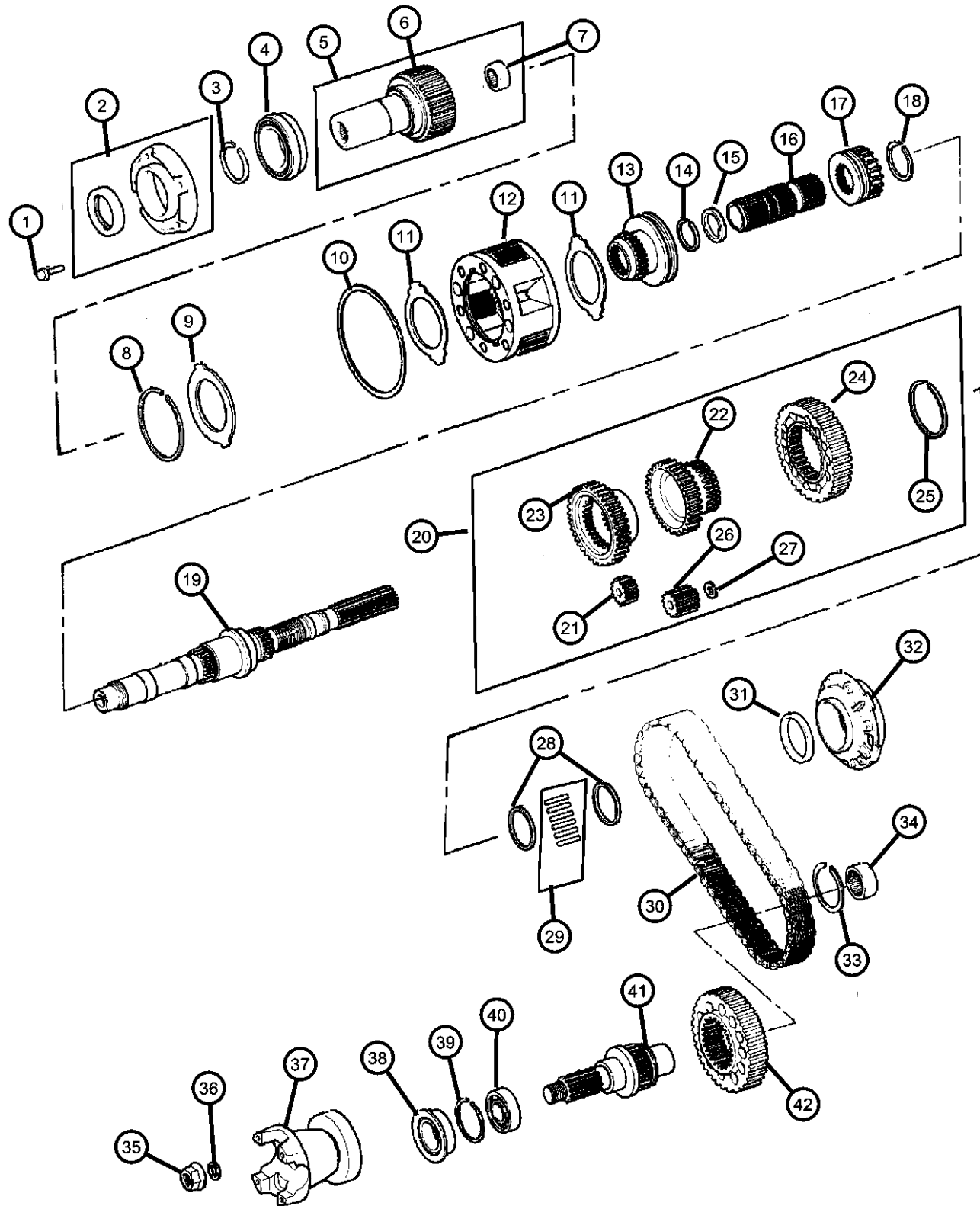
ENGINE
ERH = ENGINE - 4.0L
POWER TECH I-6
EVA = ENGINE- 4.7L V8 MPI

TRANSMISSION
DGK = TRANSMISSION - 4-SPD.
AUTOMATIC, 42RE
DGQ = TRANSMISSION-5SPD
AUTOMATIC 5-45RFE
DGO = ALL AUTOMATIC
TRANSMISSIONS

AR = use ase required - = Non illustrated part

2001 WJ

**Gear Train Select Trac [DHP]
Figure 242-410**



ITEM	PART NUMBER	QTY	LINE	SERIES	BODY	ENGINE	TRANS	TRIM	DESCRIPTION
	05003452AA	1	J			EVO			
	83503531	1	J			ER0			
23	83503536	1	J			ER0			SPROCKET, Differential
		1	J			EVO			
24	05003450AA	1	J			EVO			GEAR, Differential Drive
	83503530	1	J			ER0			
25	83503532	1	J			ER0			SNAP RING
		1	J			EVO			
26	83504169	3	J			ER0			GEAR, Planetary
		3	J			EVO			
27	83504168	12	J			ER0			WASHER, Differential Gear
		12	J			EVO			
28	05003779AA	2	J			EVO			SPACER, Sprocket
	83503533	2	J			ER0			
29	83503543	1	J			ER0			BEARING PACKAGE, Transfer Case
		1	J			EVO			
30	05003453AA	1	J			EVO			CHAIN, Transfer Case
	83504575	1	J			ER0			
31	04210603	1	J			ER0			SEAL, Main Shaft
32	04338936	1	J			ER0			PUMP, Transfer Case Oil
33	04167991	1	J			ER0			SNAP RING, Bearing
		1	J			EVO			
34	04269189	1	J			ER0			BEARING, Output Shaft

GRAND CHEROKEE (WJ)

SERIES LINE
H = Laredo T = JEEP - 2WD
P = Limited J = JEEP - 4WD

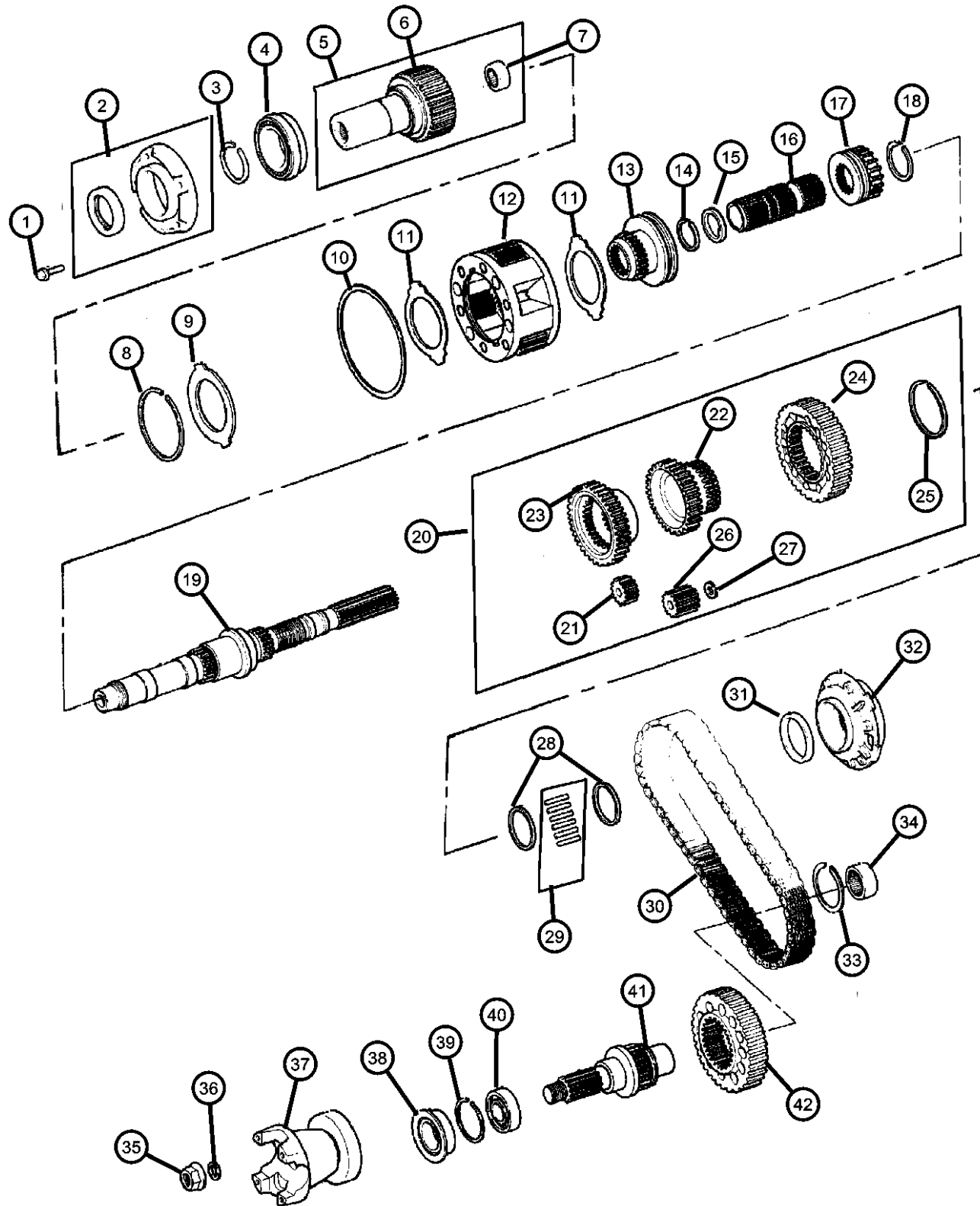
BODY
74 = SPORT UTILITY 4-DR

ENGINE
ERH = ENGINE - 4.0L
POWER TECH I-6
EVA = ENGINE- 4.7L V8 MPI

TRANSMISSION
DGK = TRANSMISSION - 4-SPD.
AUTOMATIC, 42RE
DGQ = TRANSMISSION-5SPD
AUTOMATIC 5-45RFE
DGO = ALL AUTOMATIC
TRANSMISSIONS

AR = use ase required - = Non illustrated part

**Gear Train Select Trac [DHP]
Figure 242-410**



ITEM	PART NUMBER	QTY	LINE	SERIES	BODY	ENGINE	TRANS	TRIM	DESCRIPTION
35		1	J			EVO			NUT, Transfer Case Yoke
	04167924	1	J			ER0			
36		1	J			EVO			WASHER, Transfer Case Yoke
	04210973	1	J			ER0			
37		1	J			EVO			YOKE, Transfer Case
	05012308AA	1	J			ER0			
	05019514AA	1	J			EVO			
38		1	J			EVO			SEAL, Output Shaft
	04798125	1	J			ER0			
39		1	J			EVO			SNAP RING
	0089331A	1	J			ER0			
40		1	J			EVO			BEARING, Output Shaft
	02466224	1	J			EVO			
41		1	J			EVO			OUTPUT SHAFT, Transfer Case
	05012336AA	1	J			ER0			
		1	J			EVO			
42		1	J			EVO			SPROCKET, Transfer Case
	05003452AA	1	J			EVO			
	83503518	1	J			ER0			

GRAND CHEROKEE (WJ)

SERIES LINE
H = Laredo T = JEEP - 2WD
P = Limited J = JEEP - 4WD

BODY
74 = SPORT UTILITY 4-DR

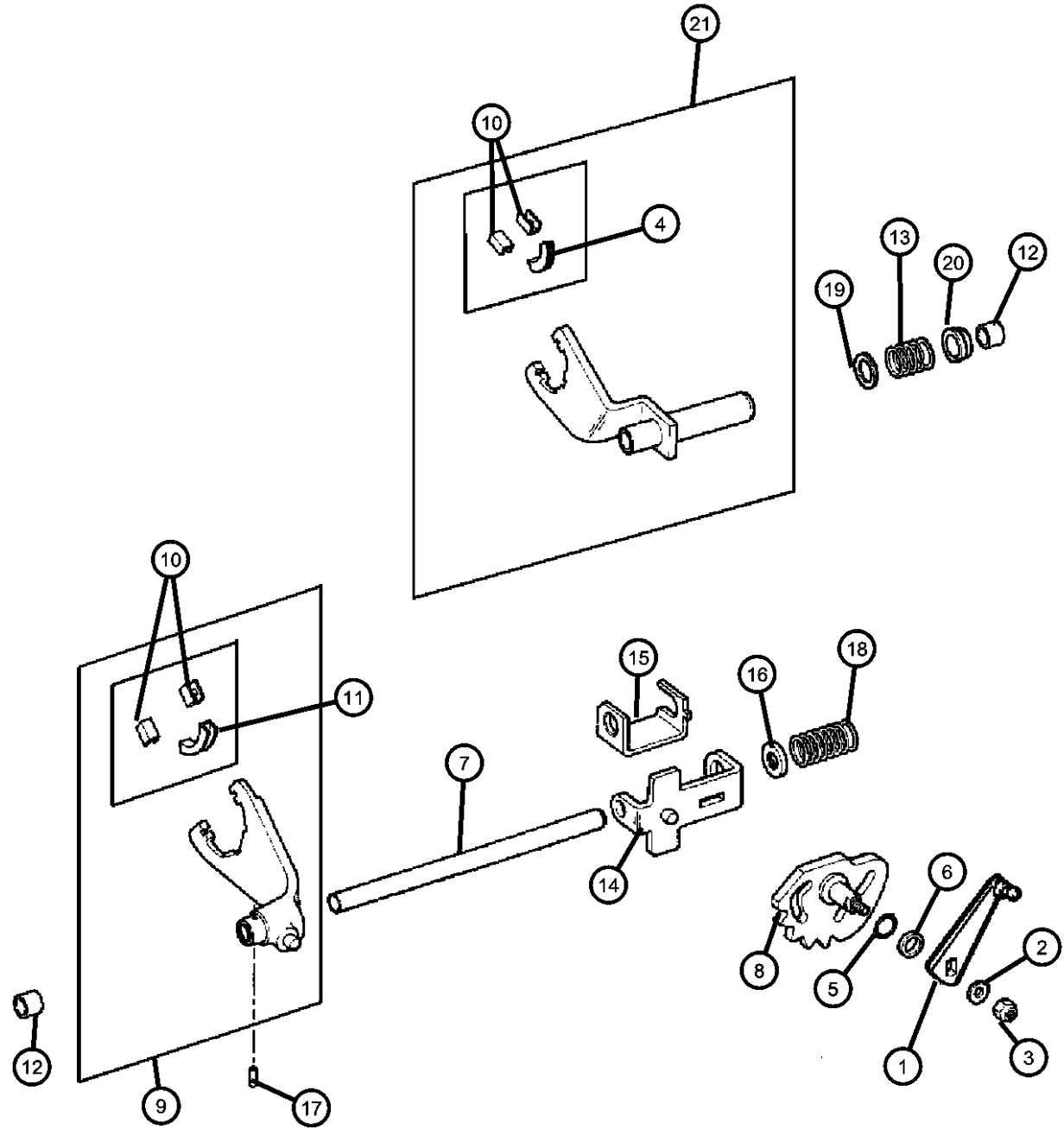
ENGINE
ERH = ENGINE - 4.0L
POWER TECH I-6
EVA = ENGINE- 4.7L V8 MPI

TRANSMISSION
DGK = TRANSMISSION - 4-SPD.
AUTOMATIC, 42RE
DGQ = TRANSMISSION-5SPD
AUTOMATIC 5-45RFE
DGO = ALL AUTOMATIC
TRANSMISSIONS

AR = use ase required - = Non illustrated part

2001 WJ

Fork and Rails Select Trac [DHP]
Figure 242-910



ITEM	PART NUMBER	QTY	LINE	SERIES	BODY	ENGINE	TRANS	TRIM	DESCRIPTION
------	-------------	-----	------	--------	------	--------	-------	------	-------------

NOTES: Sales Codes
[ER0] = All 4.0L Gas Engines
[EV0] = All 4.7L Gas Engines

1	05012307AA	1	J			EV0			LEVER, Transfer Case
		1	J			ER0			
2	04210983	2	J			ER0			WASHER, Flat
		2	J			EV0			
3	05014048AA	1	J			ER0			BOLT, Hex Head
		1	J			EV0			
4	04338376	1	J			ER0			PAD, Shift Fork
		1	J			EV0			
5	05014046AA	1	J			ER0			SEAL, Sector Shaft
		1	J			EV0			
6	05003442AA	1	J			ER0			BEARING, Shift Lever Linkage
		1	J			EV0			
7	83504469	1	J			ER0			RAIL, Transfer Case
		1	J			EV0			
8	05014047AA	1	J			ER0			SECTOR, Transfer Case
		1	J			EV0			
9	05003459AA	1	J			EV0			FORK, Range
	83503508	1	J			ER0			
10	04167969	2	J			ER0			PAD, Shift Fork
		2	J			EV0			
11									PAD, Shift Fork

GRAND CHEROKEE (WJ)

SERIES LINE
H = Laredo T = JEEP - 2WD
P = Limited J = JEEP - 4WD

BODY
74 = SPORT UTILITY 4-DR

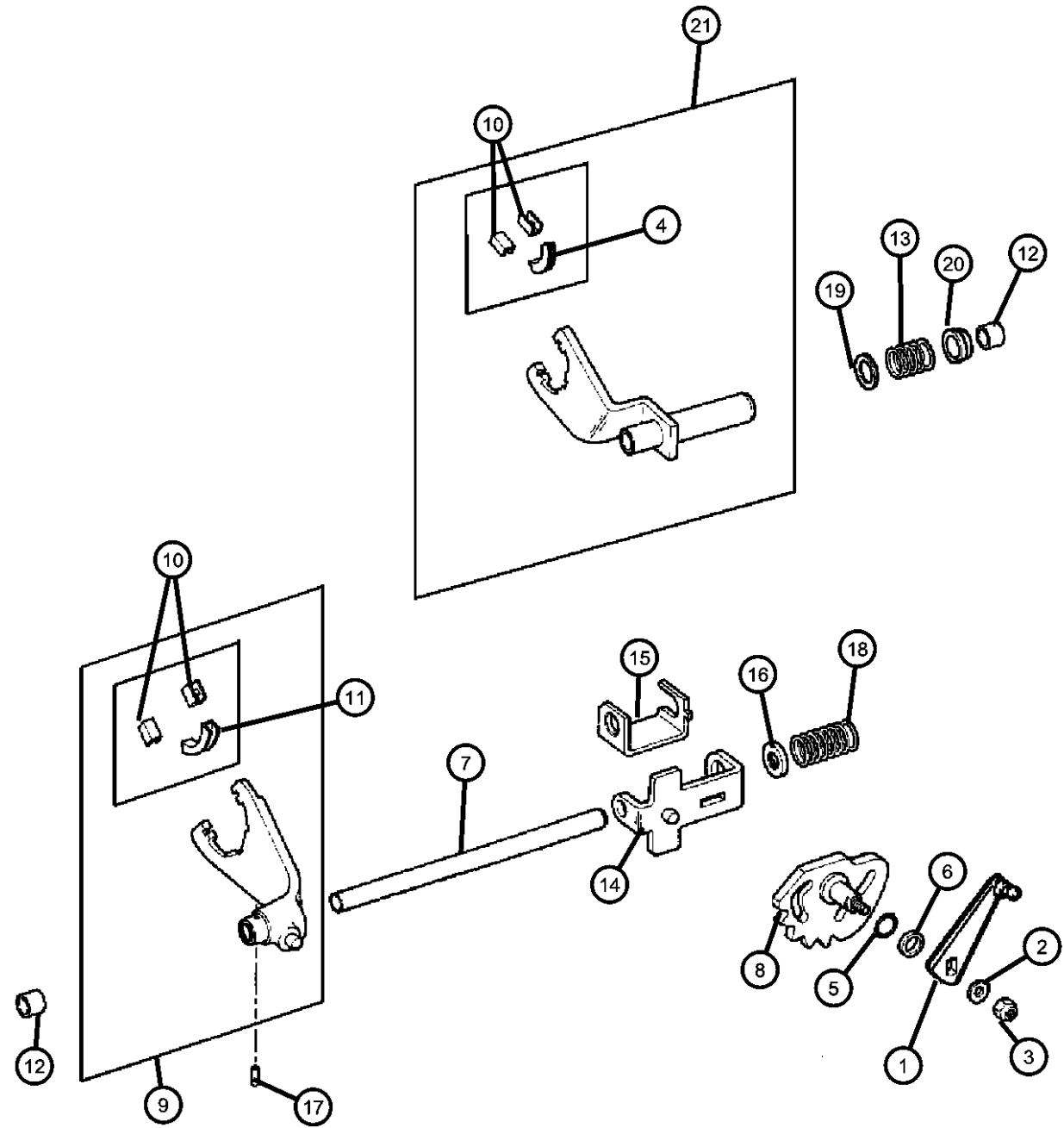
ENGINE
ERH = ENGINE - 4.0L
POWER TECH I-6
EVA = ENGINE- 4.7L V8 MPI

TRANSMISSION
DGK = TRANSMISSION - 4-SPD.
AUTOMATIC, 42RE
DGQ = TRANSMISSION-5SPD
AUTOMATIC 5-45RFE
DGO = ALL AUTOMATIC
TRANSMISSIONS

AR = use ase required - = Non illustrated part

2001 WJ

Fork and Rails Select Trac [DHP]
Figure 242-910



ITEM	PART NUMBER	QTY	LINE	SERIES	BODY	ENGINE	TRANS	TRIM	DESCRIPTION
	04167970	1	J			ER0			
		1	J			EVO			
12	J8134291	2	J			EVO			BUSHING, Shift Fork
		2	J			ER0			
13	83503513	1	J			ER0			SPRING, Mode Shift Fork
		1	J			EVO			
14	83503510	1	J			ER0			BRACKET, Shift Mode
		1	J			EVO			
15	83503511	1	J			ER0			BRACKET, Shift Mode
		1	J			EVO			
16	83503515	1	J			ER0			CUP, Shift Fork Spring
		1	J			EVO			
17	01664355	1	J			ER0			PIN, Shift Fork
		1	J			EVO			
18	83503516	1	J			ER0			SPRING, Mode Shift Fork
		1	J			EVO			
19	83503512	1	J			EVO			WASHER, Flat
20	83503514	1	J			ER0			BUSHING, Shift Rail
		1	J			EVO			
21	04638950	1	J			ER0			FORK, Transfer Case Mode Shift
		1	J			EVO			

GRAND CHEROKEE (WJ)

SERIES LINE
H = Laredo T = JEEP - 2WD
P = Limited J = JEEP - 4WD

BODY
74 = SPORT UTILITY 4-DR

ENGINE
ERH = ENGINE - 4.0L
POWER TECH I-6
EVA = ENGINE- 4.7L V8 MPI

TRANSMISSION
DGK = TRANSMISSION - 4-SPD.
AUTOMATIC, 42RE
DGQ = TRANSMISSION-5SPD
AUTOMATIC 5-45RFE
DGO = ALL AUTOMATIC
TRANSMISSIONS

AR = use ase required - = Non illustrated part

2001 WJ

**Gearshift Controls Select Trac [DHP]
Figure 242-1210**

ITEM	PART NUMBER	QTY	LINE	SERIES	BODY	ENGINE	TRANS	TRIM	DESCRIPTION
------	-------------	-----	------	--------	------	--------	-------	------	-------------

NOTES: Sales Codes
 [DGK] = 42RE 4 Speed Automatic Transmissions
 [DG0] = All Automatic Transmissions
 [DG4] = 45RFE 4 Speed Automatic Transmissions
 [ER0] = All 4.0L Gas Engines
 [EV0] = All 4.7L Gas Engines

1	52104149AC	1	J				DG0		HOUSING AND LEVER, Shifter
2	05013117AA	1	J				DG0		CONNECTOR, Wiring
3	06101695	4							NUT, Hex Flange Lock, M8x1.25
4	52104054AB	1					DG0		CABLE, Park Interlock
5	52104060AC	1					DG0		CABLE, Gearshift Control
6	52104218AB	1	J				DG0		CABLE, Gearshift Control
7	04269830	2	J						CLIP, Cable
8									BRACKET, Torque Shaft
	52104219	1	J				DGK		
	52104220AB	1	J				DG4		
9	06503119	4							SCREW AND WASHER, Hex Head, M10x1.5x40
10	06101054	1	J				DGK		BOLT AND WASHER, Hex Head, M10x1.5x40
11	06503231	1	J				DGK		NUT, Brake Line
12	06503571	4							SCREW AND WASHER, M10x1.50x35
13	52058922	1	J					ER0, EV0	SKID PLATE, Transfer Case

GRAND CHEROKEE (WJ)

SERIES LINE
 H = Laredo T = JEEP - 2WD
 P = Limited J = JEEP - 4WD

BODY
 74 = SPORT UTILITY 4-DR

ENGINE
 ERH = ENGINE - 4.0L
 POWER TECH I-6
 EVA = ENGINE- 4.7L V8 MPI

TRANSMISSION
 DGK = TRANSMISSION - 4-SPD.
 AUTOMATIC, 42RE
 DGQ = TRANSMISSION-5SPD
 AUTOMATIC 5-45RFE
 DGO = ALL AUTOMATIC
 TRANSMISSIONS

AR = use ase required - = Non illustrated part

2001 WJ

Group - 247

Transfer Case Model 247 [DHF, DHQ]

Group - 247 Transfer Case Model 247 [DHF, DHQ]

Illustration Title

Group-Fig. No.

Transfer Case Assembly

Transfer Case Quadra Trac II on Demand [DHF]..... Fig. 247 - 110

Case and Related Parts

Case and Related Parts Quadra Trac II on Demand [DHF]..... Fig. 247 - 210

Gear Train

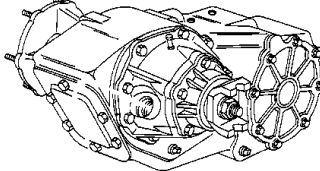

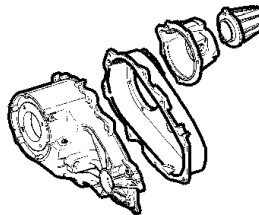
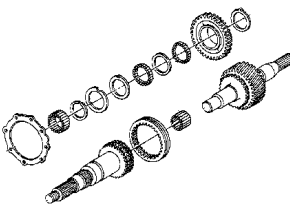
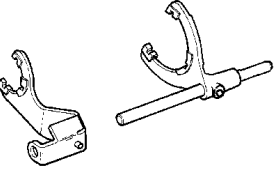
Gear Train Quadra Trac II on Demand [DHF]..... Fig. 247 - 410

Fork and Rails

Fork and Rails Quadra Trac II on Demand [DHF] Fig. 247 - 910

Gearshift Controls

Gearshift Controls Quadra Trac II on Demand [DHF] Fig. 247 - 1210

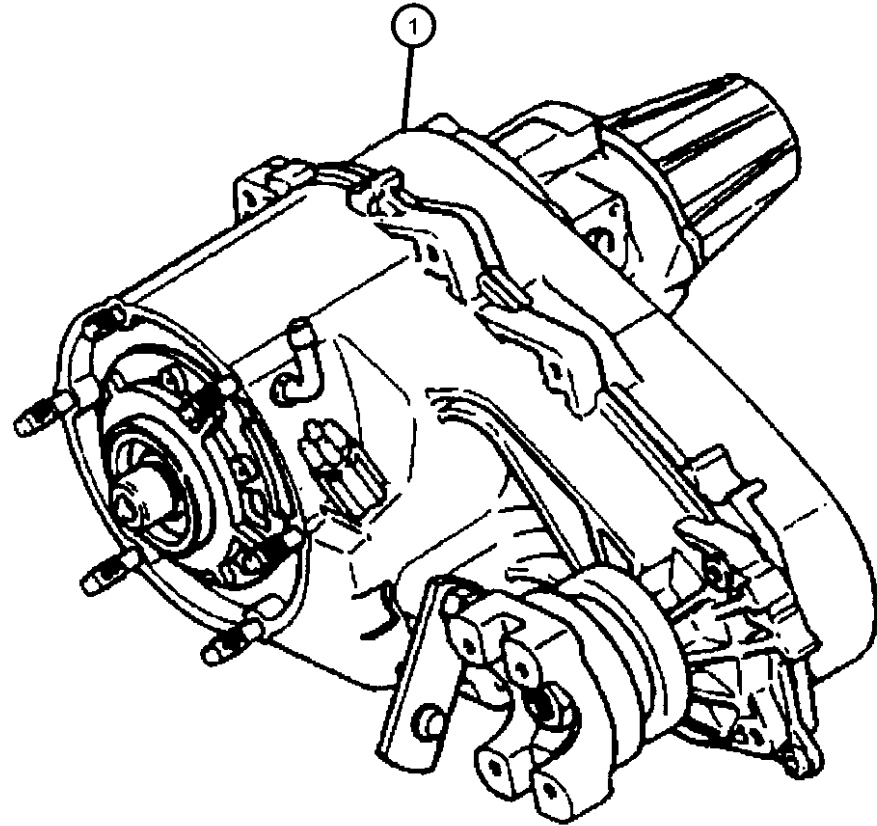
<p>247-100 Transfer Case Assembly</p> 	<p>247-1200 Gearshift Controls</p> 	<p>247-200 Case and Related Parts</p> 	<p>247-400 Gear Train</p> 
<p>247-900 Fork and Rails</p> 			

**Transfer Case Quadra Trac II on Demand [DHF]
Figure 247-110**

ITEM	PART NUMBER	QTY	LINE	SERIES	BODY	ENGINE	TRANS	TRIM	DESCRIPTION
------	-------------	-----	------	--------	------	--------	-------	------	-------------

NOTES: Sales Codes
[ER0] = All 4.0L Gas Engines
[EV0] = All 4.7L Gas Engines

1									TRANSFER CASE, NP247
	52098871AC	1	J			ER0			Mopar Remanufactured Part
	R2098871AD								Mopar Remanufactured Part
	52105905AA	1	J			EV0			Mopar Remanufactured Part
	R2105905AB								Mopar Remanufactured Part



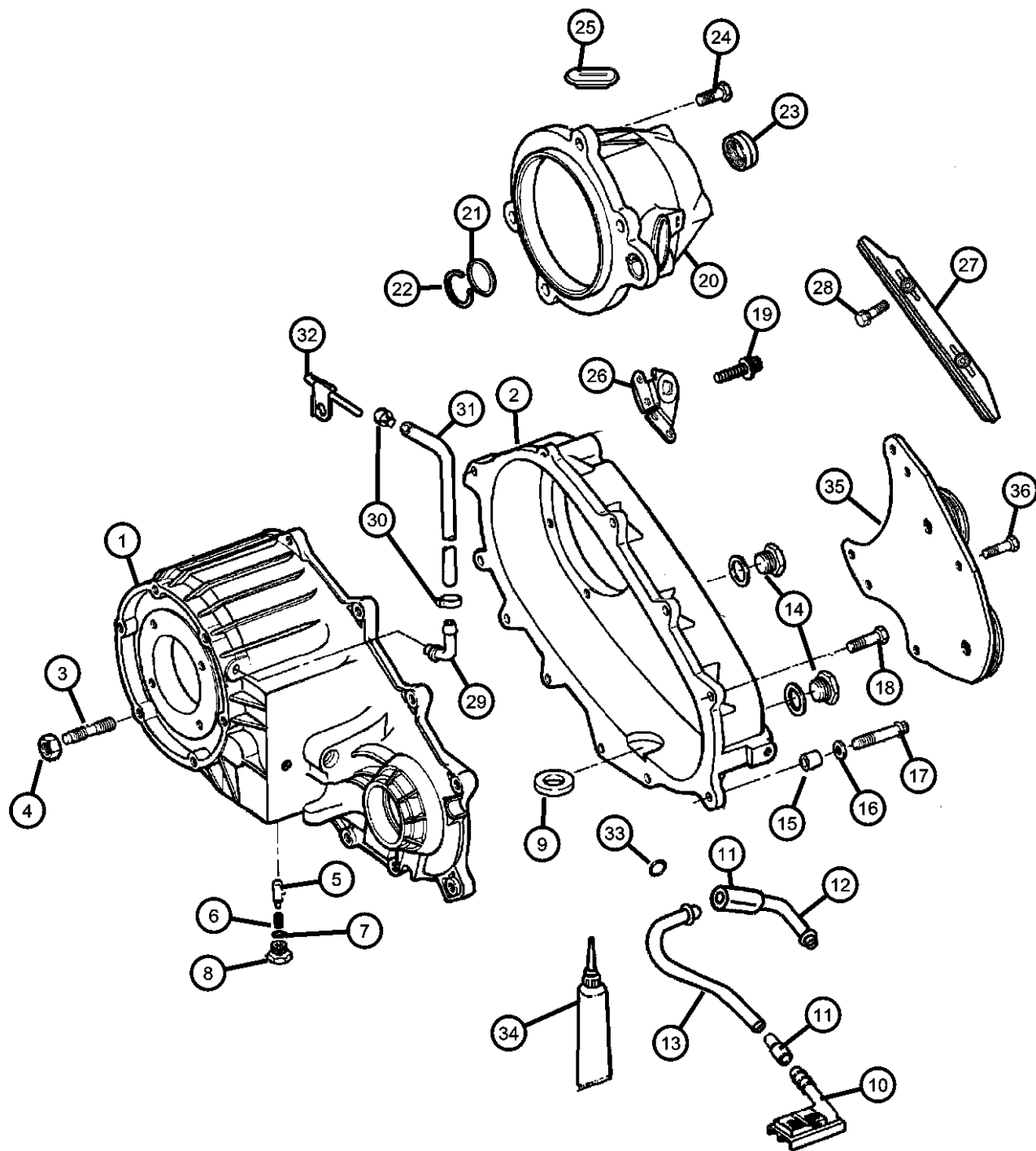
GRAND CHEROKEE (WJ)

SERIES	LINE	BODY	ENGINE	TRANSMISSION
H = Laredo	T = JEEP - 2WD	74 = SPORT UTILITY 4-DR	ERH = ENGINE - 4.0L POWER TECH I-6	DGK = TRANSMISSION - 4-SPD. AUTOMATIC, 42RE
P = Limited	J = JEEP - 4WD		EVA = ENGINE- 4.7L V8 MPI	DGQ = TRANSMISSION-5SPD AUTOMATIC 5-45RFE DGO = ALL AUTOMATIC TRANSMISSIONS

AR = use ase required - = Non illustrated part

2001 WJ

**Case and Related Parts Quadra Trac II on Demand [DHF]
Figure 247-210**



NOTES: Sales Codes
[ER0] = All 4.0L Gas Engines
[EV0] = All 4.7L Gas Engines

ITEM	PART NUMBER	QTY	LINE	SERIES	BODY	ENGINE	TRANS	TRIM	DESCRIPTION
1	05012309AA	1	J			EV0			CASE, Transfer Front
		1	J			ER0			
2	05012323AA	1	J			EV0			CASE, Transfer Case Rear
		1	J			ER0			
3	04505365	6	J			ER0			STUD
	05012310AA	6	J			EV0			
4	J4006681	6	J						NUT AND CONED WASHER, Hex, .375-24
5	53008217	1	J			EV0			PLUNGER
		1	J			ER0			
6	04638497	1	J			EV0			SPRING, Shift Detent
		1	J			ER0			
7	04338956	1	J			EV0			SEAL, Vacuum Switch
		1	J			ER0			
8	04886473AA	1	J			EV0			SCREW
		1	J			ER0			
9	03681601	1	J			EV0			MAGNET, Transmission
		1	J			ER0			
10	05012326AA	1	J			EV0			FILTER, Transfer Case Oil
		1	J			ER0			
11	05012327AA	1	J			EV0			CONNECTOR, Oil Tube Pickup
		1	J			ER0			

GRAND CHEROKEE (WJ)

SERIES LINE
H = Laredo T = JEEP - 2WD
P = Limited J = JEEP - 4WD

BODY
74 = SPORT UTILITY 4-DR

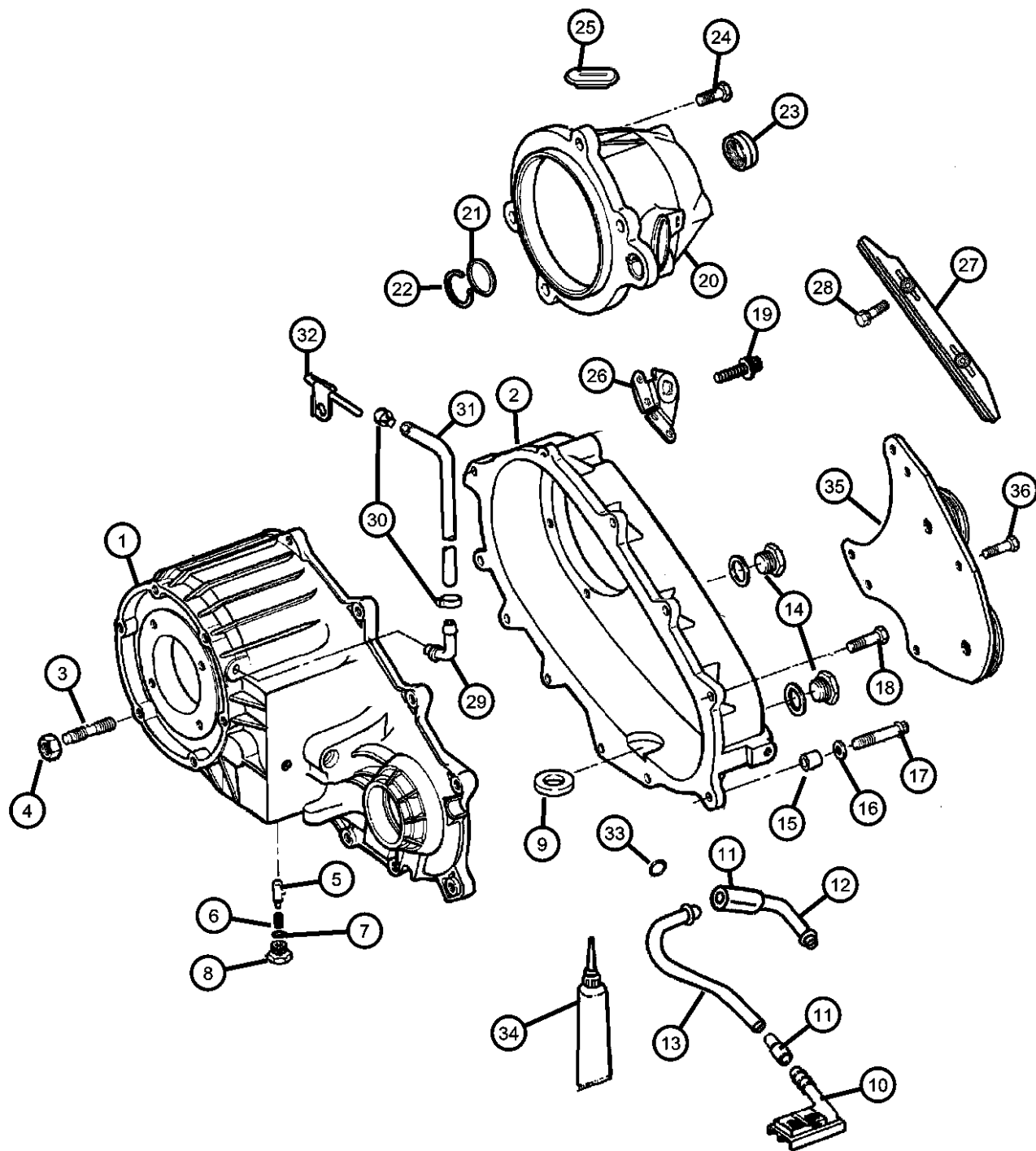
ENGINE
ERH = ENGINE - 4.0L
POWER TECH I-6
EVA = ENGINE- 4.7L V8 MPI

TRANSMISSION
DGK = TRANSMISSION - 4-SPD.
AUTOMATIC, 42RE
DGQ = TRANSMISSION-5SPD
AUTOMATIC 5-45RFE
DGO = ALL AUTOMATIC
TRANSMISSIONS

AR = use ase required - = Non illustrated part

2001 WJ

**Case and Related Parts Quadra Trac II on Demand [DHF]
Figure 247-210**



ITEM	PART NUMBER	QTY	LINE	SERIES	BODY	ENGINE	TRANS	TRIM	DESCRIPTION
12	05012328AA	1	J			EVO			TUBE, Oil Pickup
		1	J			ER0			
13	05012328AA	1	J			EVO			TUBE, Oil Pickup
		1	J			ER0			
14	04856641	1	J			EVO			PLUG, Oil Fill
		1	J			ER0			
15	04116310	2	J			EVO			DOWEL, Transfer Case
		2	J			ER0			
16	04210983	2	J			EVO			WASHER, Flat
		2	J			ER0			
17	04210614	2	J			EVO			BOLT, Hex Flange Head
		2	J			ER0			
18	04210617	6	J			EVO			BOLT, Transfer Case
		6	J			ER0			
19	J8130979	3	J			EVO			BOLT, Twelve Point Head, M10x1.5x48
		3	J			ER0			
20	05066086AA	1	J			ER0			RETAINER, Transfer Case Rear
		1	J			EVO			
21	04638902	1	J			EVO			BUSHING, Extension Housing
		1	J			ER0			
22	0089331A	1	J			EVO			SNAP RING
		1	J			ER0			

GRAND CHEROKEE (WJ)

SERIES LINE
H = Laredo T = JEEP - 2WD
P = Limited J = JEEP - 4WD

BODY
74 = SPORT UTILITY 4-DR

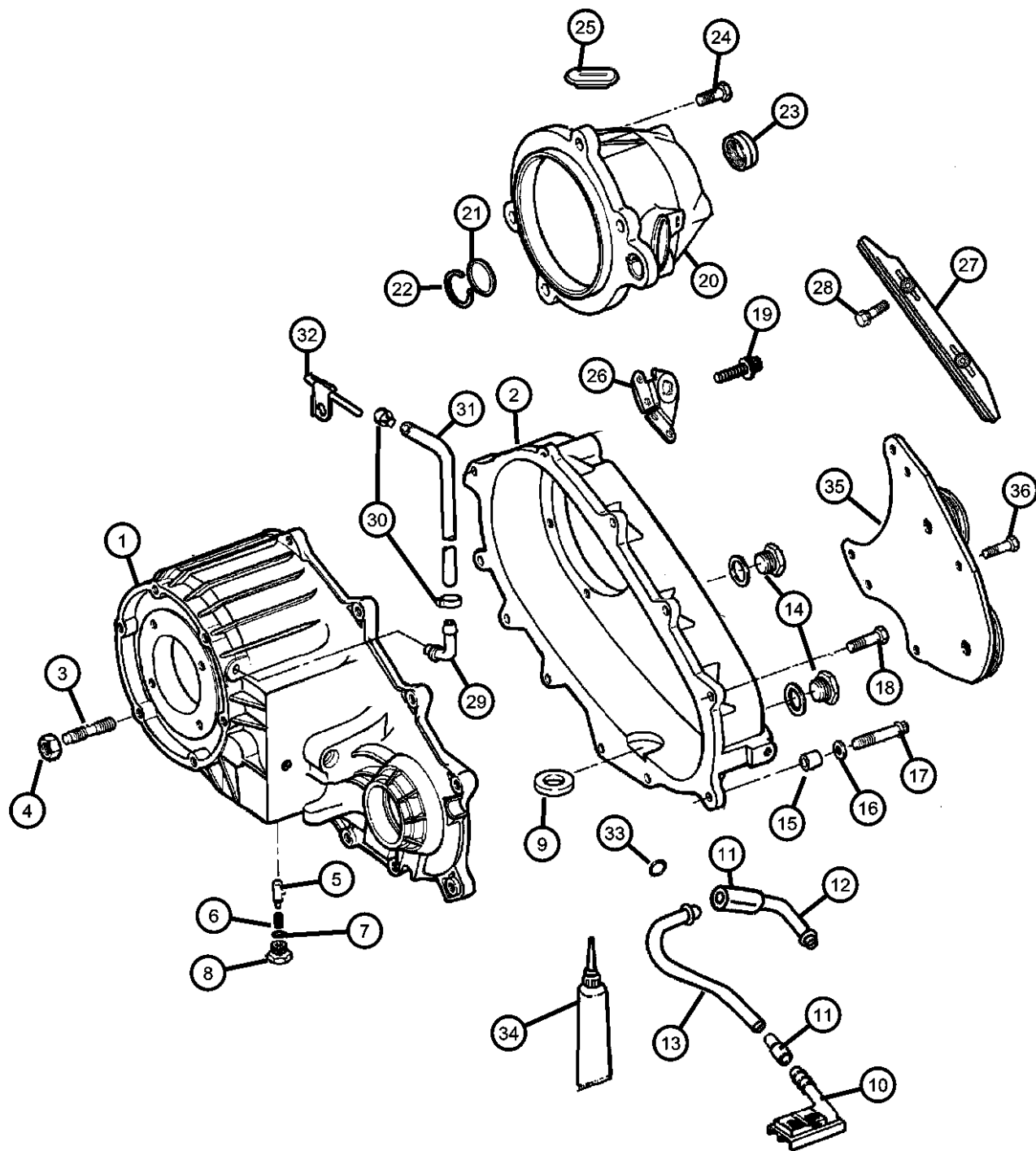
ENGINE
ERH = ENGINE - 4.0L
POWER TECH I-6
EVA = ENGINE- 4.7L V8 MPI

TRANSMISSION
DGK = TRANSMISSION - 4-SPD.
AUTOMATIC, 42RE
DGQ = TRANSMISSION-5SPD
AUTOMATIC 5-45RFE
DGO = ALL AUTOMATIC
TRANSMISSIONS

AR = use ase required - = Non illustrated part

2001 WJ

Case and Related Parts Quadra Trac II on Demand [DHF]
Figure 247-210



ITEM	PART NUMBER	QTY	LINE	SERIES	BODY	ENGINE	TRANS	TRIM	DESCRIPTION
23									SEAL, Output Shaft
	04897298AA	1	J			EVO			
		1	J			ER0			
24									BOLT, Retainer
	06501371	4	J			EVO			
		4	J			ER0			
25									PLUG
	05066087AA	1	J			ER0			
		1	J			EVO			
26									CLIP, (NOT REQUIRED)
		1							
27									SNUBBER, Chain
	05012324AA	1	J			EVO			
		1	J			ER0			
28									BOLT
	05012325AA	2	J			EVO			
		2	J			ER0			
29									VENT, Transfer Case
	04796910	1	J			EVO			
		1	J			ER0			
30	06502081	2	J						CLAMP, Oil Cooler Line
31	06502081	2							HOSE, Fuel, .31 I.D. 50 Foot Roll, Sevised In Bulk Roll, (NOT SERVICED)
32	53007494	1	J						VENT, Transfer Case
33									SEAL, Transfer Case
	05013016AB	1	J			EVO			
		1	J			ER0			
34									SEALANT, RTV
	05010884AA	1	J			EVO			
		1	J			ER0			
35									DAMPER, Transfer Case, (NOT REQUIRED)
		1							
36									BOLT, Retainer
	06501371	4	J			EVO			
		4	J			ER0			

GRAND CHEROKEE (WJ)

SERIES LINE
H = Laredo T = JEEP - 2WD
P = Limited J = JEEP - 4WD

BODY
74 = SPORT UTILITY 4-DR

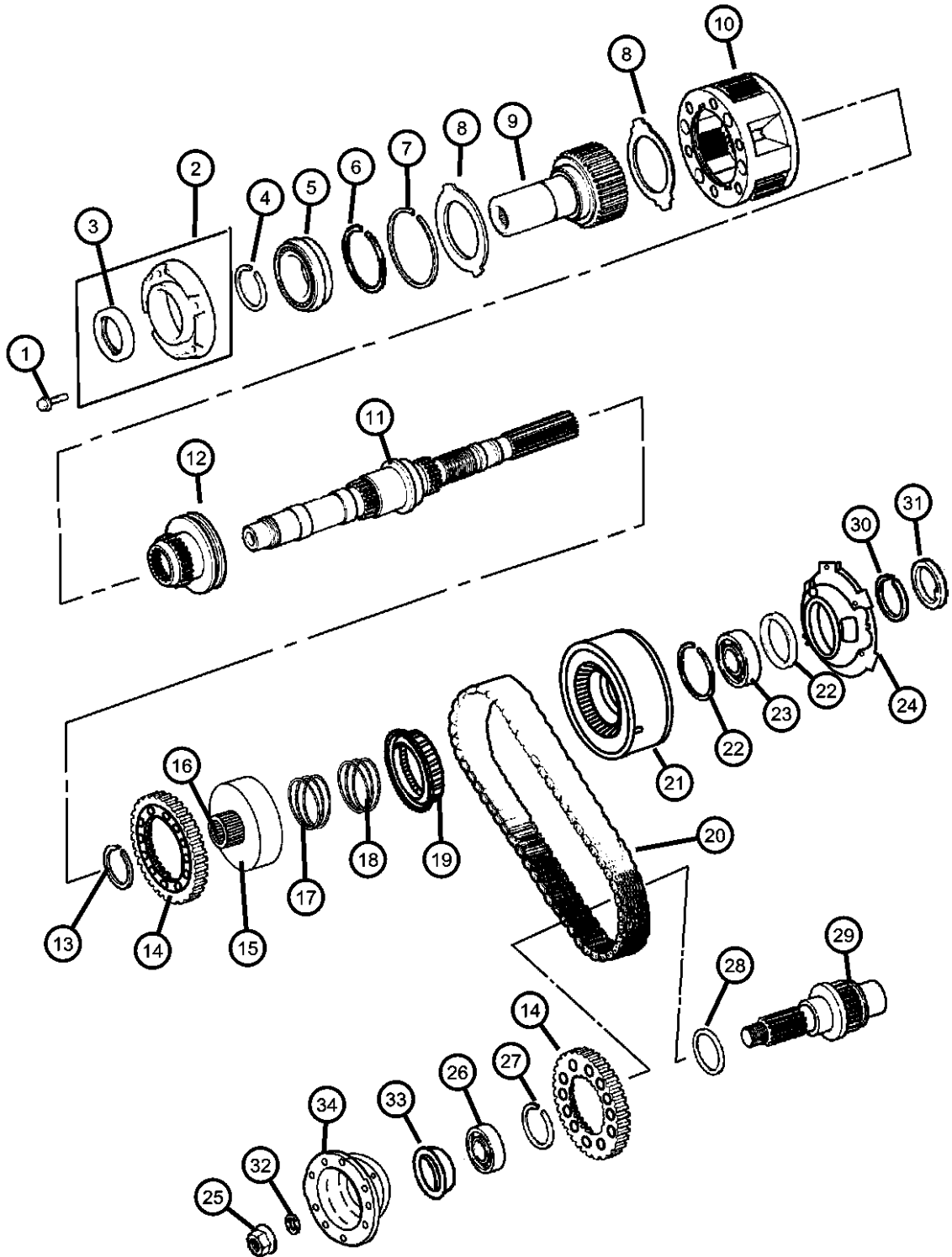
ENGINE
ERH = ENGINE - 4.0L
POWER TECH I-6
EVA = ENGINE- 4.7L V8 MPI

TRANSMISSION
DGK = TRANSMISSION - 4-SPD.
AUTOMATIC, 42RE
DGQ = TRANSMISSION-5SPD
AUTOMATIC 5-45RFE
DGO = ALL AUTOMATIC
TRANSMISSIONS

AR = use ase required - = Non illustrated part

2001 WJ

**Gear Train Quadra Trac II on Demand [DHF]
Figure 247-410**



ITEM	PART NUMBER	QTY	LINE	SERIES	BODY	ENGINE	TRANS	TRIM	DESCRIPTION
NOTES: Sales Codes [ER0] = All 4.0L Gas Engines [EV0] = All 4.7L Gas Engines									
1									BOLT
	06500318	4	J			EV0			
		4	J			ER0			
2									EXTENSION, Transfer Case
	04864782	1	J			EV0			
		1	J			ER0			
3									SEAL, Input Gear
	04798033	1	J			EV0			
		1	J			ER0			
4									SNAP RING
	03821558	1	J			EV0			
		1	J			ER0			
5									BEARING, Input Gear
	04746155	1	J			EV0			
		1	J			ER0			
6									SNAP RING
	04338910	1	J			EV0			
		1	J			ER0			
7									RING
	04338909	1	J			EV0			
		1	J			ER0			
8									THRUST WASHER, Planetary Carrier
	04338908	2	J			EV0			
		2	J			ER0			
9									GEAR, Input
	04798126	1	J			ER0			
	05012311AA	1	J			EV0			
10									PLANETARY, Transfer Case
	04796903	1	J			EV0			
		1	J			ER0			
11									MAINSHAFT, Transfer Case

GRAND CHEROKEE (WJ)

SERIES LINE
H = Laredo T = JEEP - 2WD
P = Limited J = JEEP - 4WD

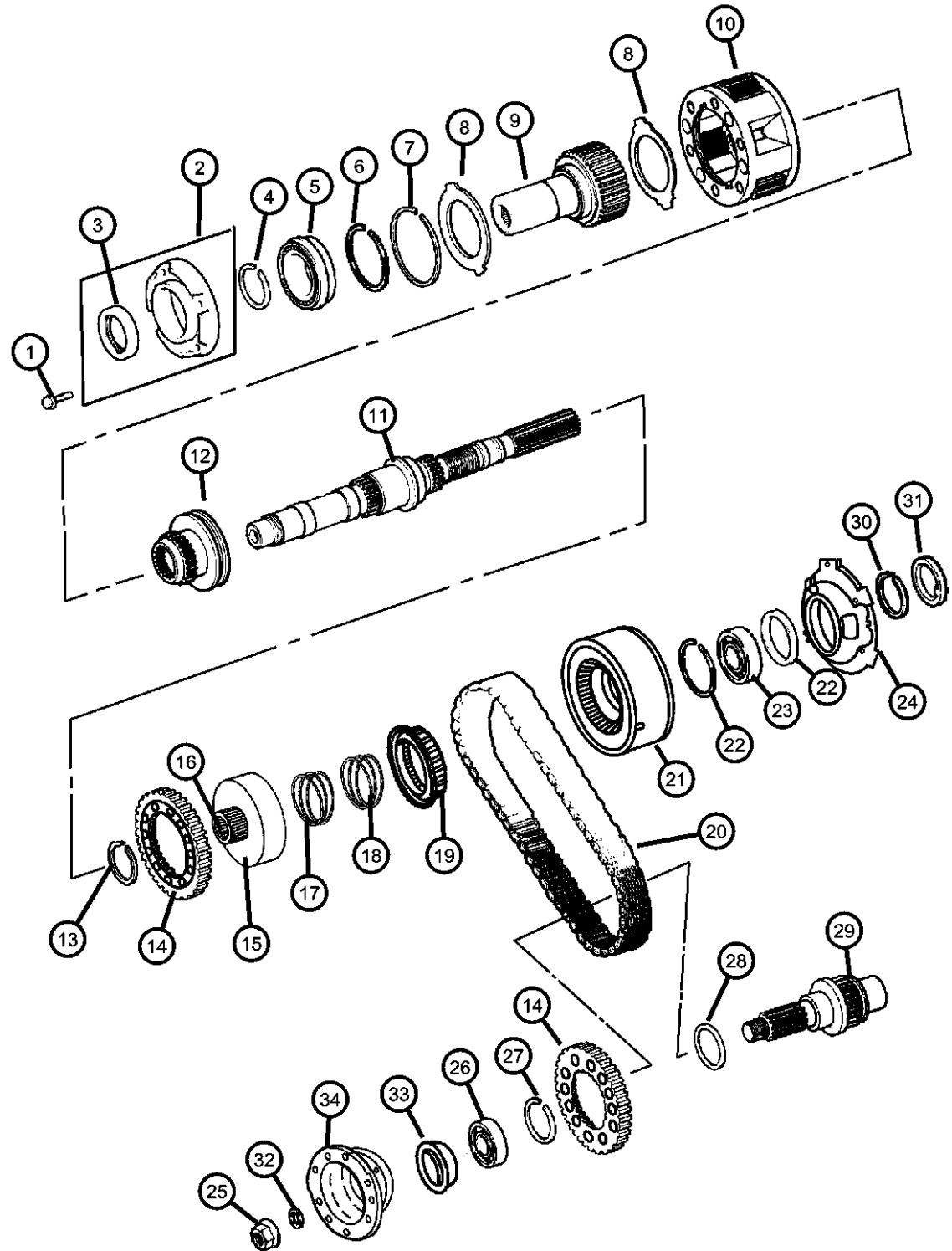
BODY
74 = SPORT UTILITY 4-DR

ENGINE
ERH = ENGINE - 4.0L
POWER TECH I-6
EVA = ENGINE- 4.7L V8 MPI

TRANSMISSION
DGK = TRANSMISSION - 4-SPD.
AUTOMATIC, 42RE
DGQ = TRANSMISSION-5SPD
AUTOMATIC 5-45RFE
DGO = ALL AUTOMATIC
TRANSMISSIONS

AR = use ase required - = Non illustrated part

**Gear Train Quadra Trac II on Demand [DHF]
Figure 247-410**



ITEM	PART NUMBER	QTY	LINE	SERIES	BODY	ENGINE	TRANS	TRIM	DESCRIPTION
	05012313AA	1	J			EVO			
		1	J			ER0			
12	05012314AA	1	J			EVO			SLEEVE, Shift Range
		1	J			ER0			
13	04798130	1	J			EVO			SNAP RING
		1	J			ER0			
14	05012319AA	1	J			EVO			SPROCKET, Drive
		1	J			ER0			
15	05012315AA	1	J			EVO			CARRIER, Sprocket
		1	J			ER0			
16	83503543	1	J			EVO			BEARING PACKAGE, Transfer Case
		1	J			ER0			
17	04798131	1	J			EVO			SPRING, Clutch
		1	J			ER0			
18	04897521AA	1	J			EVO			SPRING, Clutch
		1	J			ER0			
19	04897520AA	1	J			EVO			CLUTCH, Oneway
		1	J			ER0			
20	05012322AB	1	J			EVO			CHAIN, Transfer Case
		1	J			ER0			
21	05012329AA	1	J			EVO			PUMP, Transfer Case Gear Rotor
		1	J			ER0			
22									SNAP RING

GRAND CHEROKEE (WJ)

SERIES LINE
H = Laredo T = JEEP - 2WD
P = Limited J = JEEP - 4WD

BODY
74 = SPORT UTILITY 4-DR

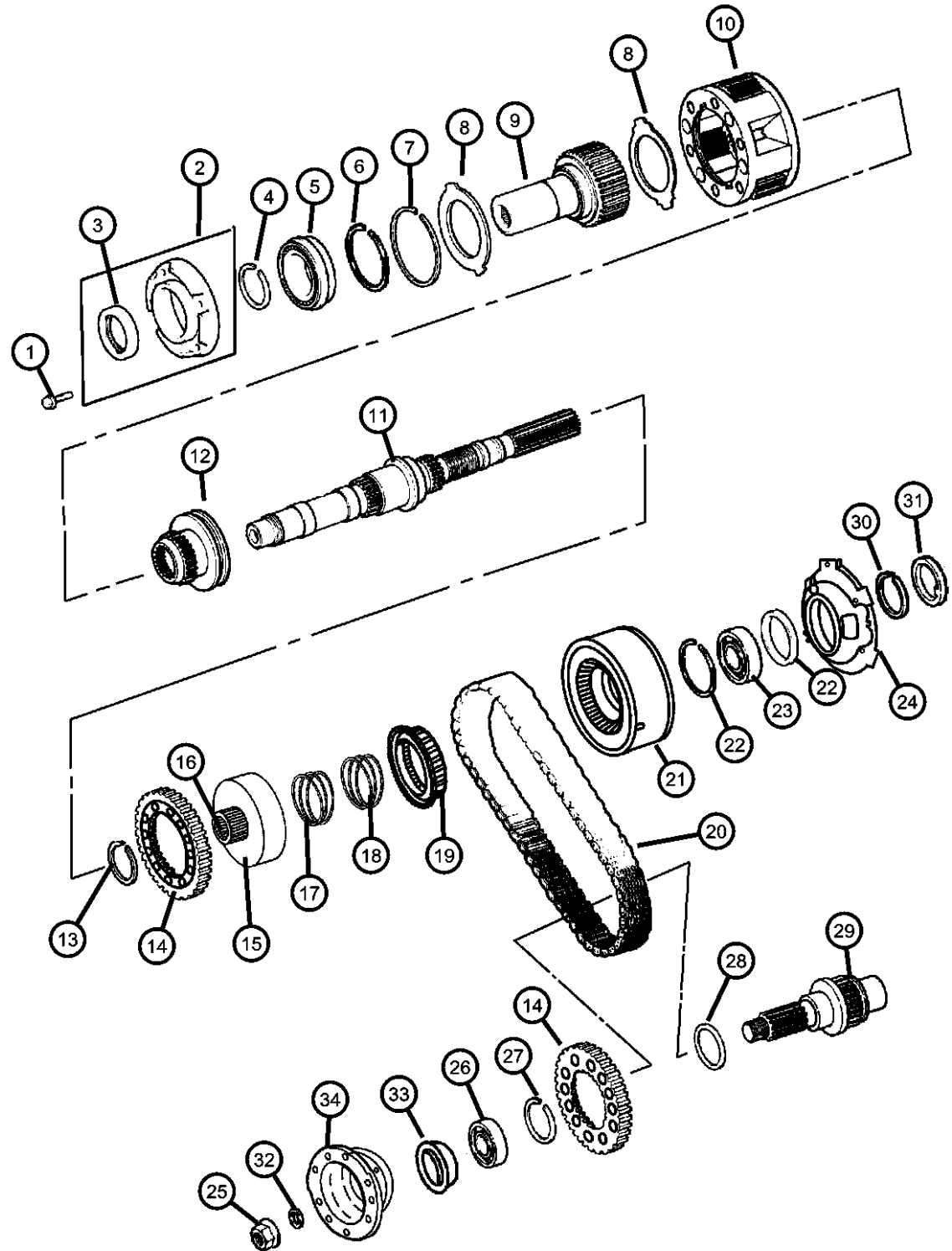
ENGINE
ERH = ENGINE - 4.0L
POWER TECH I-6
EVA = ENGINE- 4.7L V8 MPI

TRANSMISSION
DGK = TRANSMISSION - 4-SPD.
AUTOMATIC, 42RE
DGQ = TRANSMISSION-5SPD
AUTOMATIC 5-45RFE
DGO = ALL AUTOMATIC
TRANSMISSIONS

AR = use ase required - = Non illustrated part

2001 WJ

**Gear Train Quadra Trac II on Demand [DHF]
Figure 247-410**



ITEM	PART NUMBER	QTY	LINE	SERIES	BODY	ENGINE	TRANS	TRIM	DESCRIPTION
	04446478	2	J			EVO			
		2	J			ER0			
23	04638899	1	J			EVO			BEARING, Output Shaft
		1	J			ER0			
24	05013017AB	1	J			EVO			PUMP, Transfer Case Oil
		1	J			ER0			
25	04167924	1	J			EVO			NUT, Transfer Case Yoke
		1	J			ER0			
26	02466224	1	J			EVO			BEARING, Output Shaft
		1	J			ER0			
27	05012320AA	2	J			EVO			SNAP RING
		1	J			ER0			
28	05013014AA	1	J			EVO			WASHER
		1	J			ER0			
29	05012321AA	1	J			EVO			OUTPUT SHAFT, Transfer Case
		1	J			ER0			
30	05013014AA	1	J			EVO			WASHER
		1	J			ER0			
31	05013015AA	2	J			EVO			SNAP RING
		2	J			ER0			
32	04210973	1	J			EVO			WASHER, Transfer Case Yoke
		1	J			ER0			
33									SEAL, Output Shaft

GRAND CHEROKEE (WJ)

SERIES LINE
 H = Laredo T = JEEP - 2WD
 P = Limited J = JEEP - 4WD

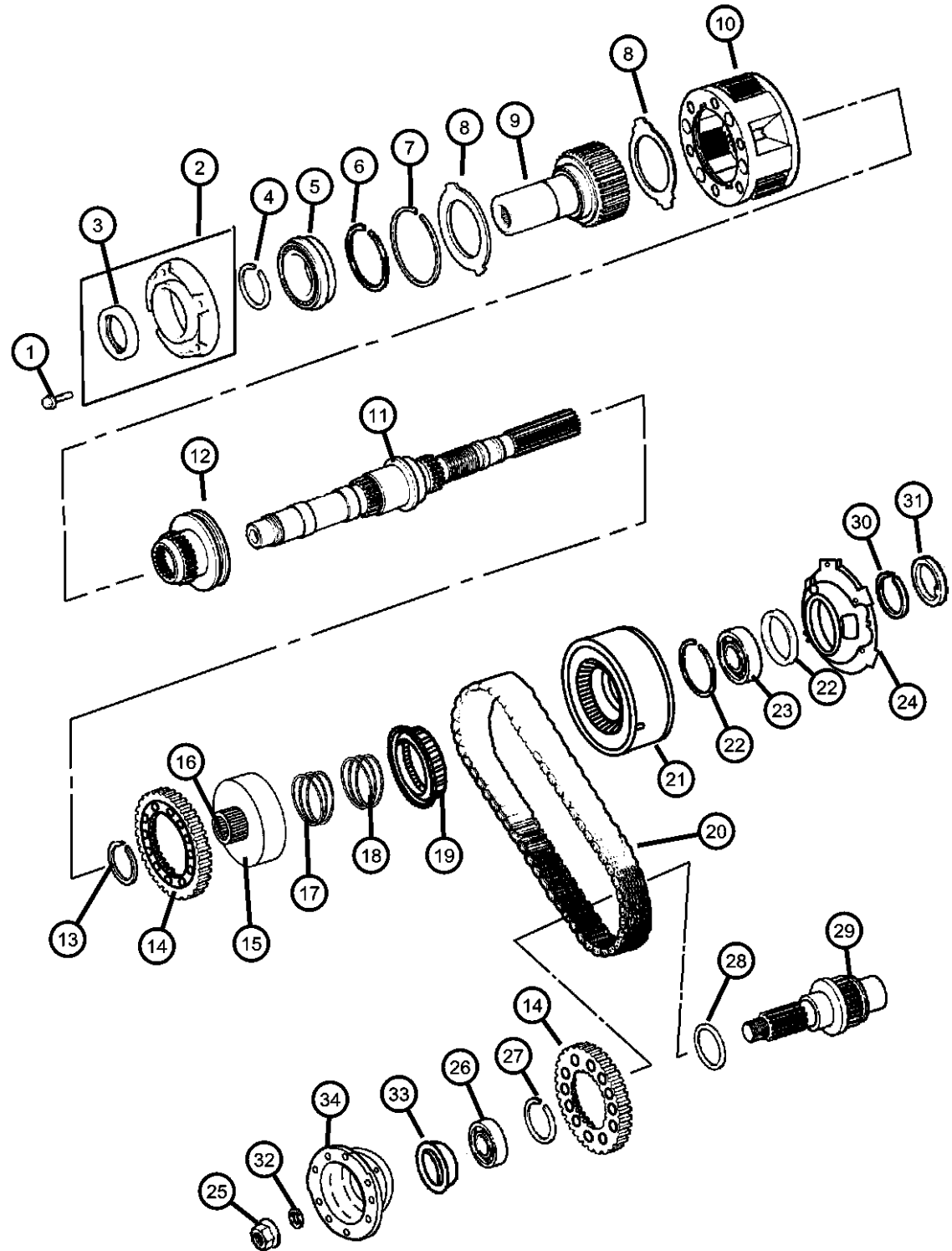
BODY
 74 = SPORT UTILITY 4-DR

ENGINE
 ERH = ENGINE - 4.0L
 POWER TECH I-6
 EVA = ENGINE- 4.7L V8 MPI

TRANSMISSION
 DGK = TRANSMISSION - 4-SPD.
 AUTOMATIC, 42RE
 DGQ = TRANSMISSION-5SPD
 AUTOMATIC 5-45RFE
 DGO = ALL AUTOMATIC
 TRANSMISSIONS

AR = use ase required - = Non illustrated part

**Gear Train Quadra Trac II on Demand [DHF]
Figure 247-410**



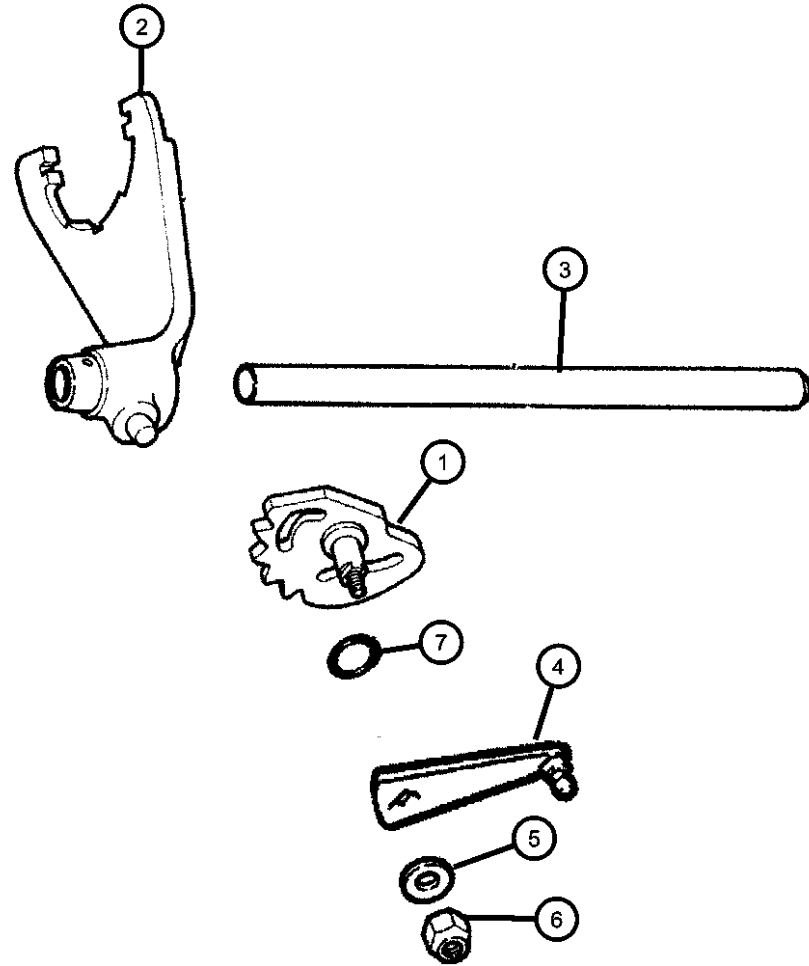
ITEM	PART NUMBER	QTY	LINE	SERIES	BODY	ENGINE	TRANS	TRIM	DESCRIPTION
	04798125	1	J			EVO			
		1	J			ER0			
34									YOKE, Transfer Case
	05012308AA	1	J			ER0			
	05019514AA	1	J			EVO			

GRAND CHEROKEE (WJ)

SERIES	LINE	BODY	ENGINE	TRANSMISSION
H = Laredo	T = JEEP - 2WD	74 = SPORT UTILITY 4-DR	ERH = ENGINE - 4.0L POWER TECH I-6	DGK = TRANSMISSION - 4-SPD. AUTOMATIC, 42RE
P = Limited	J = JEEP - 4WD		EVA = ENGINE- 4.7L V8 MPI	DGQ = TRANSMISSION-5SPD AUTOMATIC 5-45RFE DGO = ALL AUTOMATIC TRANSMISSIONS

AR = use ase required - = Non illustrated part

Fork and Rails Quadra Trac II on Demand [DHF]
Figure 247-910



ITEM	PART NUMBER	QTY	LINE	SERIES	BODY	ENGINE	TRANS	TRIM	DESCRIPTION
NOTES: Sales Codes [ER0] = All 4.0L Gas Engines [EV0] = All 4.7L Gas Engines									
1	05012312AA	1	J			EV0			SECTOR, Transfer Case
		1	J			ER0			
2	04798136	1	J			EV0			FORK, Range
		1	J			ER0			
3	04798135	1	J			EV0			RAIL, Transfer Case
		1	J			ER0			
4	05012333AA	1	J			EV0			LEVER, Transfer Case
		1	J			ER0			
5	S2436163	1	J			EV0			WASHER, Flat
		1	J			ER0			
6	00152345	1	J			EV0			NUT, Hex Flange Lock
		1	J			ER0			
7	04167963	1	J			EV0			SEAL, O-Ring
		1	J			ER0			

GRAND CHEROKEE (WJ)

SERIES LINE
H = Laredo T = JEEP - 2WD
P = Limited J = JEEP - 4WD

BODY
74 = SPORT UTILITY 4-DR

ENGINE
ERH = ENGINE - 4.0L
POWER TECH I-6
EVA = ENGINE- 4.7L V8 MPI

TRANSMISSION
DGK = TRANSMISSION - 4-SPD.
AUTOMATIC, 42RE
DGQ = TRANSMISSION-5SPD
AUTOMATIC 5-45RFE
DGO = ALL AUTOMATIC
TRANSMISSIONS

AR = use ase required - = Non illustrated part

2001 WJ

**Gearshift Controls Quadra Trac II on Demand [DHF]
Figure 247-1210**

ITEM	PART NUMBER	QTY	LINE	SERIES	BODY	ENGINE	TRANS	TRIM	DESCRIPTION
------	-------------	-----	------	--------	------	--------	-------	------	-------------

NOTES: Sales Codes
 [ER0] = All 4.0L Gas Engines
 [EV0] = All 4.7L Gas Engines
 DG0 = All Automatic Transmissions
 DGK = 42RE Automatic Transmission
 DDQ = 5 Speed Manual Transmission 5-45RFE
 DSB = Vari-Lok Progressive Front Axle

1	52104151AB	1	J				DG0		HOUSING AND LEVER, Shifter With [DHF] Without [DSB]
	52104374AB	1	J				DG0		With [DHF] And [DSB]
2	05013117AA	1	J				DG0		CONNECTOR, Wiring
		1	J				DG0		With S/C DSB
3	06101695	4							NUT, Hex Flange Lock, M8x1.25
4	52104054AB	1					DG0		CABLE, Park Interlock
5	52104060AC	1					DG0		CABLE, Gearshift Control
6	52104218AB	1	J				DG0		CABLE, Gearshift Control
7	04269830	2	J						CLIP, Cable
8	52104219	1	J				DGK		BRACKET, Torque Shaft
	52104220AB	1	J				DGQ		
9	06503119	4							SCREW AND WASHER, Hex Head, M10x1.5x40
10	06101054	1	J				DGK		BOLT AND WASHER, Hex Head, M10x1.5x40
11	06503231	1	J				DGK		NUT, Brake Line
12	06503571	4							SCREW AND WASHER, M10x1.50x35
13	52058922	1	J					ER0, EV0	SKID PLATE, Transfer Case

GRAND CHEROKEE (WJ)

SERIES	LINE
H = Laredo	T = JEEP - 2WD
P = Limited	J = JEEP - 4WD

BODY
74 = SPORT UTILITY 4-DR

ENGINE
ERH = ENGINE - 4.0L POWER TECH I-6
EVA = ENGINE- 4.7L V8 MPI

TRANSMISSION
DGK = TRANSMISSION - 4-SPD. AUTOMATIC, 42RE
DGQ = TRANSMISSION-5SPD AUTOMATIC 5-45RFE
DGO = ALL AUTOMATIC TRANSMISSIONS

AR = use ase required - = Non illustrated part

2001 WJ

Group - 22

Wheels, Covers and Jacks

Group - 22 Wheels, Covers and Jacks

Illustration Title

Group-Fig. No.

Wheels and Hardware

Wheels and HardwareFig. 22 - 130

Wheel Covers and Center Caps


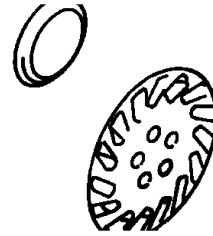
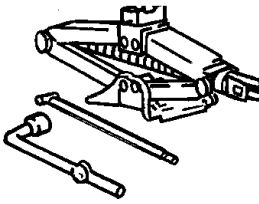
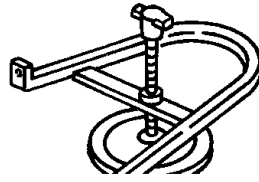
Caps, Wheel Cover and centerFig. 22 - 230

Jack Stowage

Jack Stowage.....Fig. 22 - 330

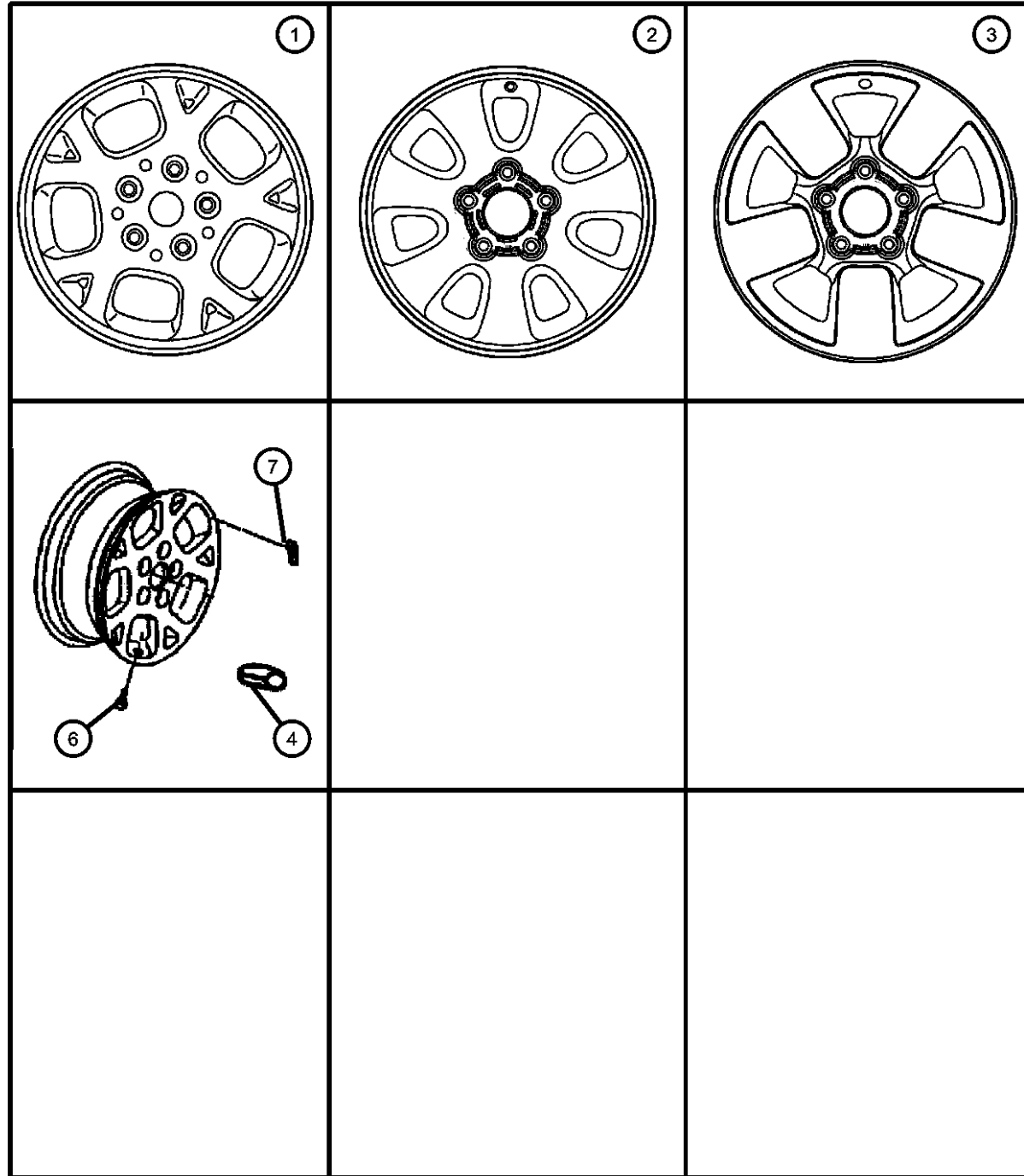
Spare Tire Stowage

Spare Wheel StowageFig. 22 - 460

<p>022-100 Wheels and Hardware</p> 	<p>022-200 Wheel Covers and Center Caps</p> 	<p>022-300 Jack Stowage</p> 	<p>022-400 Spare Tire Stowage</p> 
---	--	---	--

Wheels and Hardware
Figure 22-130

ITEM	PART NUMBER	QTY	LINE	SERIES	BODY	ENGINE	TRANS	TRIM	DESCRIPTION
<p>Note: Sales Code WDS = 16x7.0 Aluminum Wheel Note: Sales Code WDR = 16x7.0 Aluminum Wheel Note: Sales Code WDM = 16x7.0 Aluminum Wheel Note: Sales Code WFJ = 17x7.0 Cast Aluminum Note: Sales Code WFK = 17 x 7.5 Aluminum, 7 Spoke Note: Sales Code WFZ = 17 x 7.5 Aluminum, Gray Accent Note: Sales Code WGF = 17 x 7.5 Aluminum, Sparkle Accent Note: Sales Code WGM = 17 x 7.5 Aluminum,Chrome</p>									
	1	5EZ98TAEAB	1						WHEEL, Aluminum, 16x7, [WDS]
	2	5HB03PAKAA	4						WHEEL, Aluminum, 17x7.5, [WFK]
	3								WHEEL, Aluminum
		52080260AA	4						17x7.5, [WGM] Chrome
		5HB10MA8AA	4						17x7.5, [WFZ]
		5HB10PAKAA	4						17x7.5, [WGF]
	4	06036310AA	20						NUT, Wheel, .50x20
	-5	52088203AB	1						WHEEL, Spare
	6	02073355	5						STEM, Wheel Valve
	7	02073355	5						WEIGHT, Wheel Balance Tape, (NOT SERVICED)

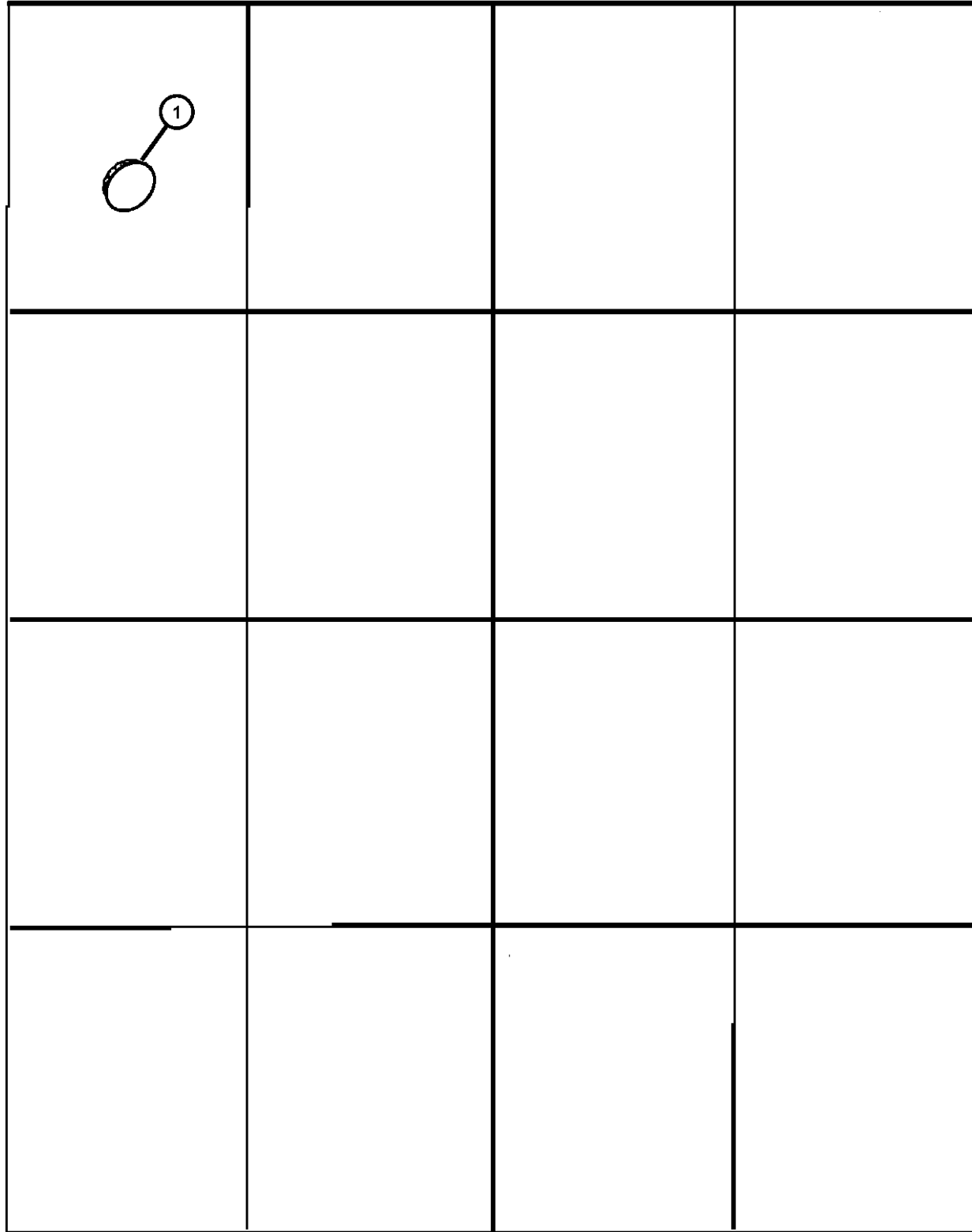


GRAND CHEROKEE (WJ)

SERIES	LINE	BODY	ENGINE	TRANSMISSION
H = Laredo	T = JEEP - 2WD	74 = SPORT UTILITY 4-DR	ERH = ENGINE - 4.0L POWER TECH I-6 EVA = ENGINE- 4.7L V8 MPI	DGK = TRANSMISSION - 4-SPD. AUTOMATIC,42RE DGQ = TRANSMISSION-5SPD AUTOMATIC 5-45RFE DGO = ALL AUTOMATIC TRANSMISSIONS
P = Limited	J = JEEP - 4WD			

AR = use ase required - = Non illustrated part

**Caps, Wheel Cover and center
Figure 22-230**



ITEM	PART NUMBER	QTY	LINE	SERIES	BODY	ENGINE	TRANS	TRIM	DESCRIPTION
------	-------------	-----	------	--------	------	--------	-------	------	-------------

Note:
 WFK = 17 x 7.5 Aluminum, 7 Spoke
 WFZ = 17 x 7.5 Aluminum, Gray Accent
 WGF = 17 x 7.5 Aluminum, Sparkle Accent
 WGM = 17 x 7.5 Aluminum

1	5CF97L3X	4							
-2									
	52080263AA	4							
	5FA51MA8	4							
	5FA51PAK	4							
	5GJ46PAKAA	4							

CAP, Wheel Center, Brushed Aluminum "Jeep" Name, [WDS]
 CAP, Wheel Center
 [WGM]
 [WFZ]
 [WGF]
 [WFK]

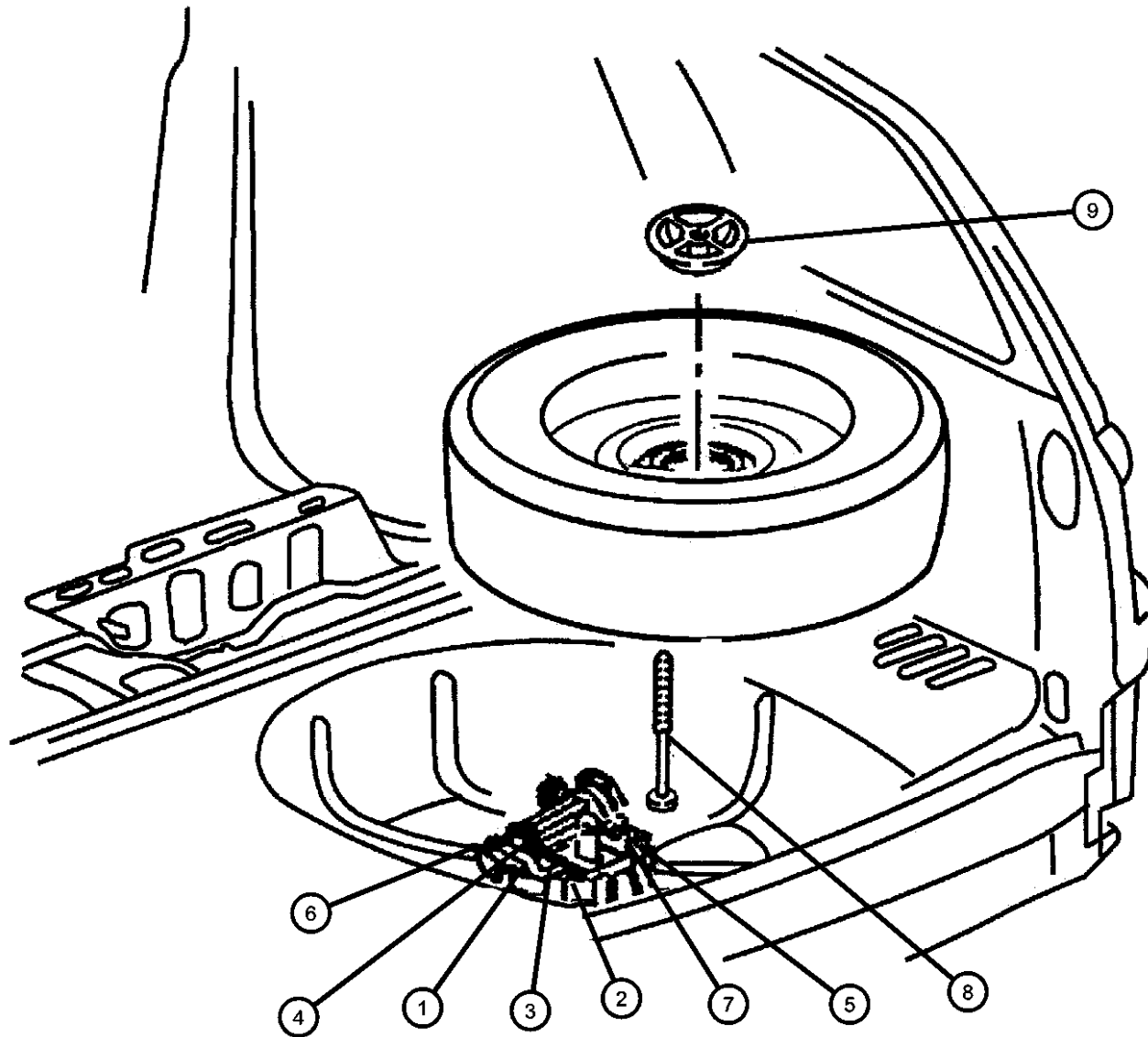
GRAND CHEROKEE (WJ)

SERIES	LINE	BODY	ENGINE	TRANSMISSION
H = Laredo	T = JEEP - 2WD	74 = SPORT UTILITY 4-DR	ERH = ENGINE - 4.0L POWER TECH I-6	DGK = TRANSMISSION - 4-SPD. AUTOMATIC, 42RE
P = Limited	J = JEEP - 4WD		EVA = ENGINE- 4.7L V8 MPI	DGQ = TRANSMISSION-5SPD AUTOMATIC 5-45RFE
				DGO = ALL AUTOMATIC TRANSMISSIONS

AR = use ase required - = Non illustrated part

Jack Stowage
Figure 22-330

ITEM	PART NUMBER	QTY	LINE	SERIES	BODY	ENGINE	TRANS	TRIM	DESCRIPTION
1	52059104	1							JACK
2	52059121	1							EXTENSION, Jack Handle
3	52059122AB	1							EXTENSION, Jack Handle
4	52059134AA	2							BRACKET, Tool Hold Down
5	06100048	1							NUT, Hex, M6x1.00
6	52059105	1							WRENCH, Wheel Lug Nut
7	52059148AA	1							CLIP
8	52059148AA	1							J BOLT, Spare Tire Hold Down, (NOT SERVICED)
9	52059414AB	1							CUP, Spare Tire Retention
-10	06503070	1							WINGNUT, Jack and Tire Hold Down



GRAND CHEROKEE (WJ)

SERIES LINE
H = Laredo T = JEEP - 2WD
P = Limited J = JEEP - 4WD

BODY
74 = SPORT UTILITY 4-DR

ENGINE
ERH = ENGINE - 4.0L
POWER TECH I-6
EVA = ENGINE- 4.7L V8 MPI

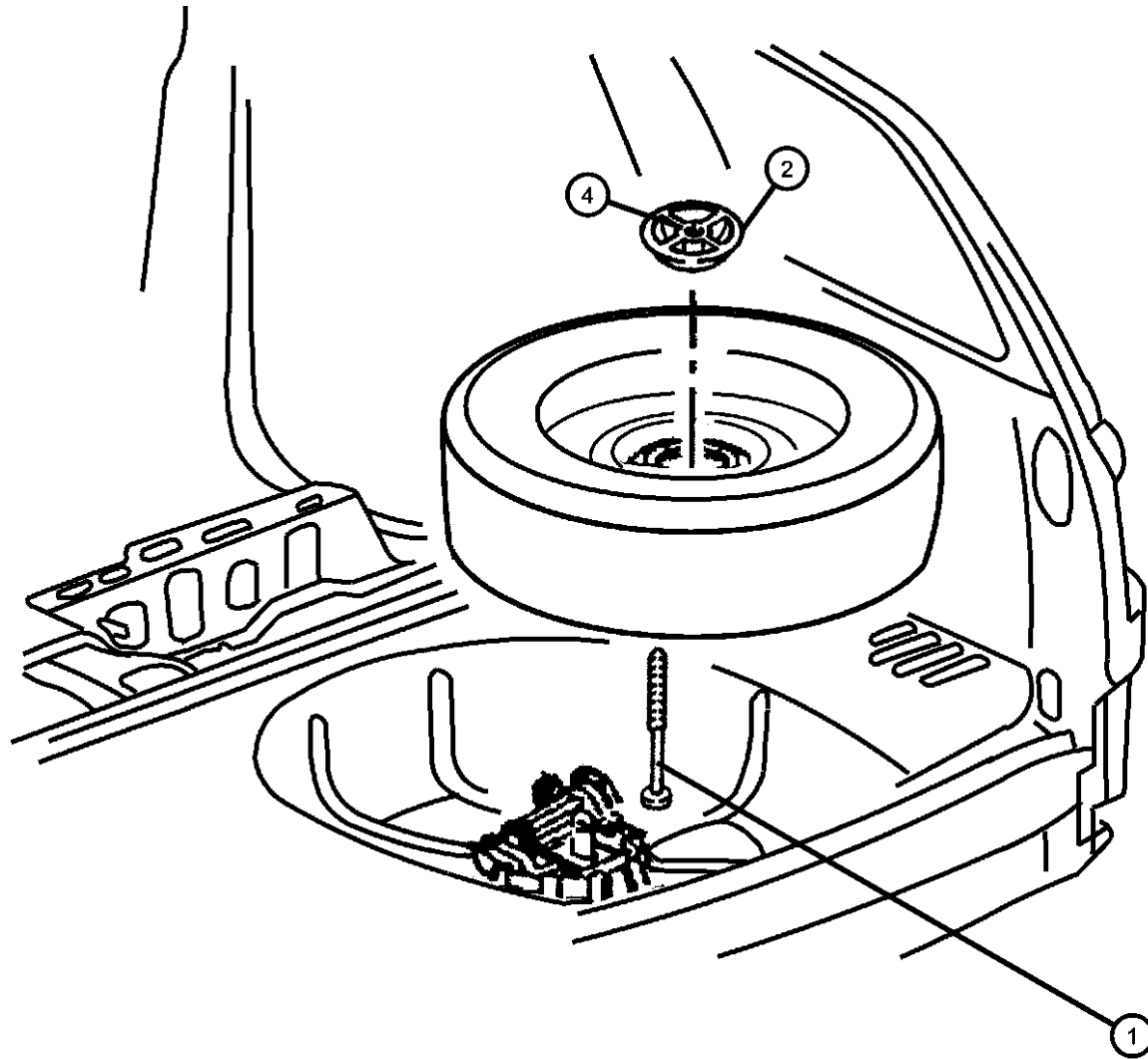
TRANSMISSION
DGK = TRANSMISSION - 4-SPD.
AUTOMATIC, 42RE
DGQ = TRANSMISSION-5SPD
AUTOMATIC 5-45RFE
DGO = ALL AUTOMATIC
TRANSMISSIONS

AR = use ase required - = Non illustrated part

2001 WJ

Spare Wheel Stowage
Figure 22-460

ITEM	PART NUMBER	QTY	LINE	SERIES	BODY	ENGINE	TRANS	TRIM	DESCRIPTION
1	52059169AB	1							BOLT, J, M10x1.5x150
2	52059414AB	1							CUP, Spare Tire Retention
-3	52088806AA	1							SILENCER, Wheelhouse
4	06503070	1							WINGNUT, Jack and Tire Hold Down



GRAND CHEROKEE (WJ)

SERIES

LINE

BODY

ENGINE

TRANSMISSION

H = Laredo

T = JEEP - 2WD

74 = SPORT UTILITY 4-DR

ERH = ENGINE - 4.0L

DGK = TRANSMISSION - 4-SPD.

P = Limited

J = JEEP - 4WD

POWER TECH I-6

AUTOMATIC, 42RE

EVA = ENGINE- 4.7L V8 MPI

DGQ = TRANSMISSION-5SPD

AUTOMATIC 5-45RFE

DGO = ALL AUTOMATIC

TRANSMISSIONS

AR = use ase required - = Non illustrated part

2001 WJ

Group - 23D

Wiper/Lock Cylinder and Keys

Group - 23D Wiper/Lock Cylinder and Keys

Group-Fig. No.

Illustration Title

Lock Cylinders and Keys

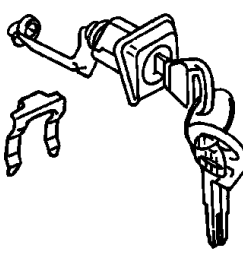
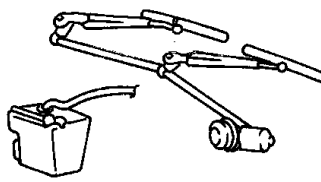
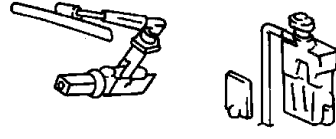
Lock Cylinder & KeysFig. 23D - 130

Windshield Wiper and Washer Systems

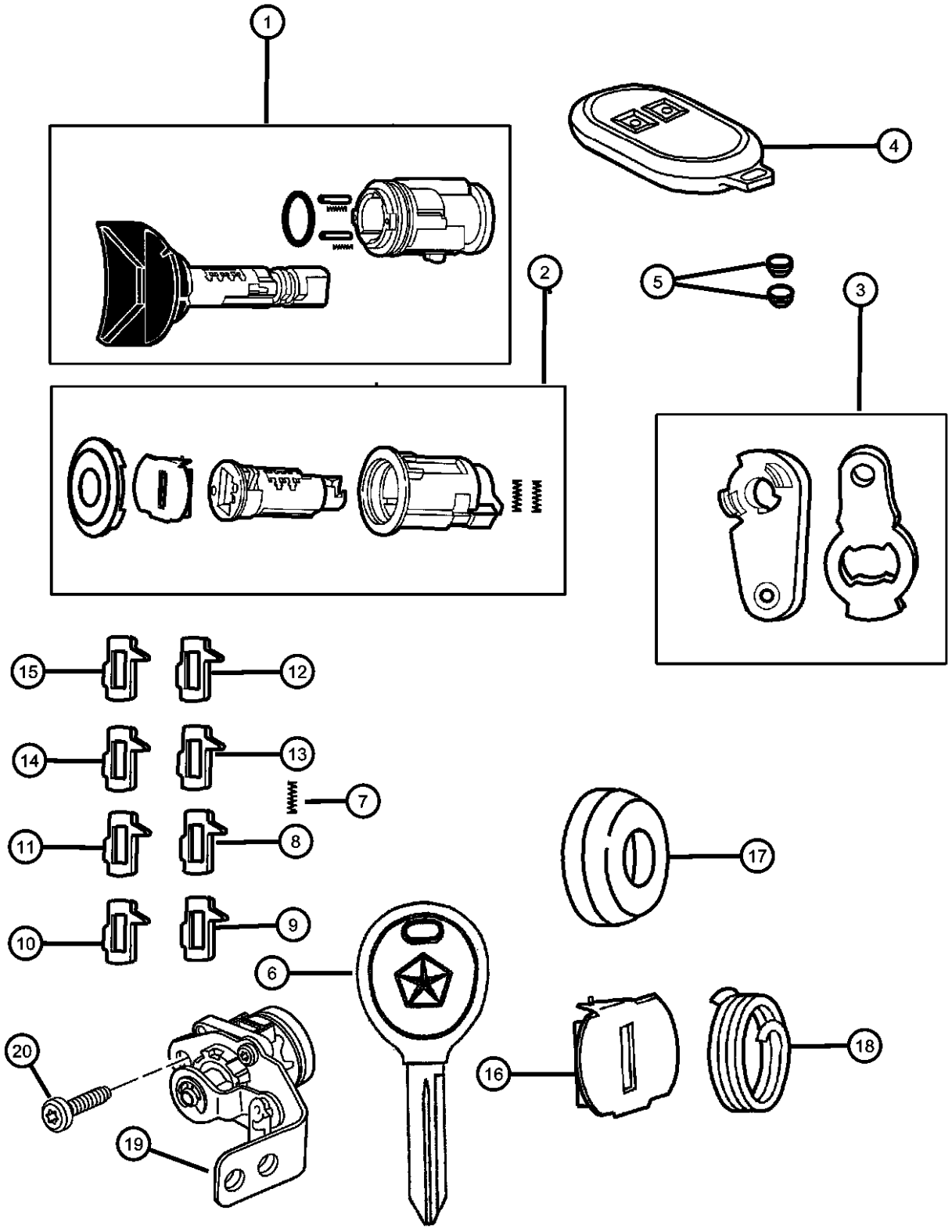
Windshield Wiper & Washer.....Fig. 23D - 230

Rear Wiper and Washer System

Rear Wiper & Washer SystemFig. 23D - 330

<p>23D-100 Lock Cylinders and Keys</p> 	<p>23D-200 Windshield Wiper and Washer Systems</p> 	<p>23D-300 Rear Wiper and Washer System</p> 	
--	---	---	--

Lock Cylinder & Keys
Figure 23D-130

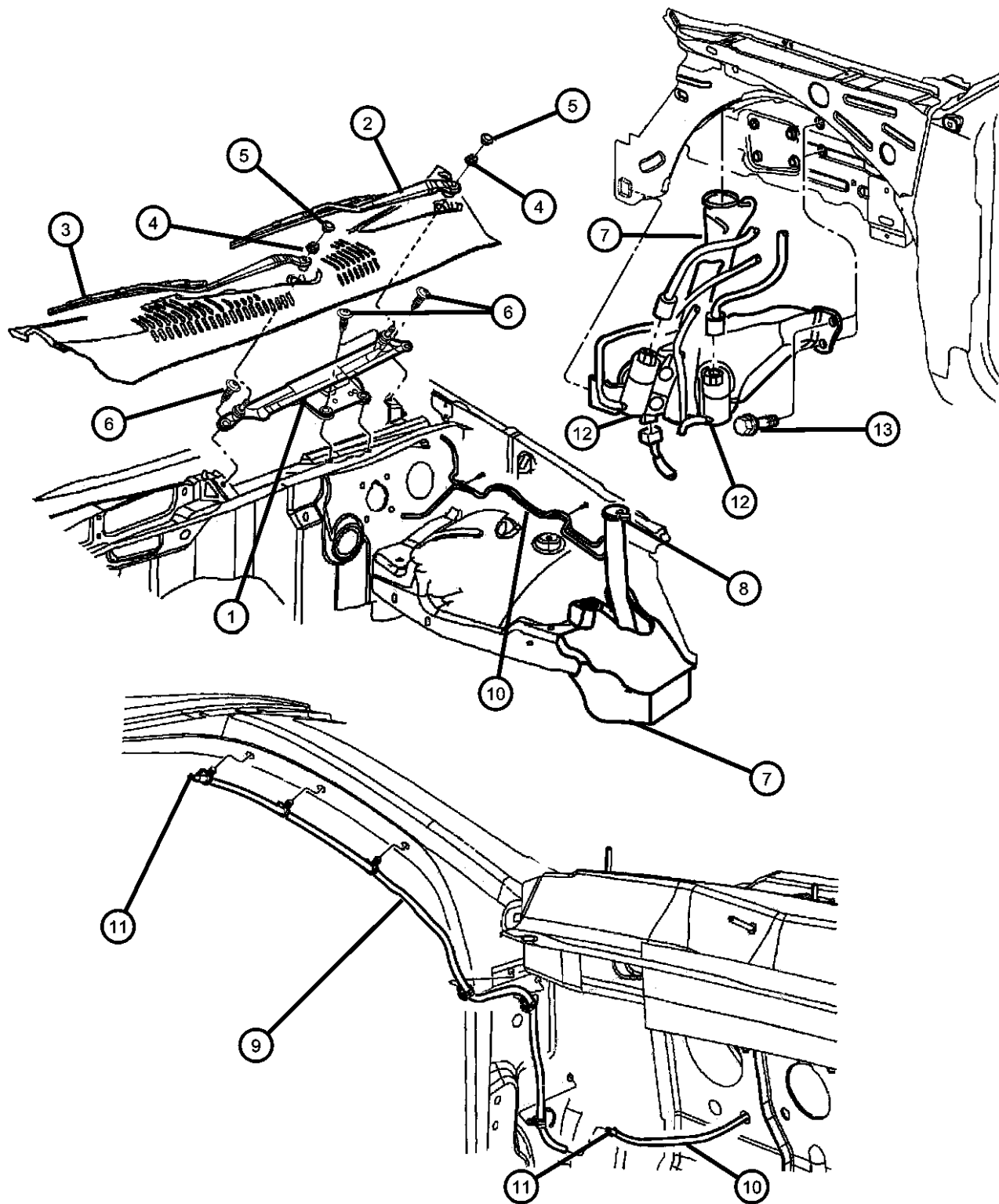


ITEM	PART NUMBER	QTY	LINE	SERIES	BODY	ENGINE	TRANS	TRIM	DESCRIPTION
1	05003843AB	1							CYLINDER, Ignition Lock
2	05013682AA	1							CYLINDER, Door Lock
3	55136554AA	1							LEVER, Door Lock Cylinder
4									TRANSMITTER, Keyless Entry
	56036859AD	1							Frequency 315 (# 1) Primary Driver, Black
	56036860AD	1							Frequency 433 (# 2) Secondary Driver grey,
5	83504802	2							BATTERY, Transmitter
6	05018699AA	2							KEY, Master, Sentry Key
7	05010883AB	1							SPRING, Ignition Tumbler, Sidebar
8	04778117	1							TUMBLER, Door and Deck Number 1, Wide
9	04778118	1							TUMBLER, Door and Deck Number 2, Wide
10	04778119	1							TUMBLER, Door and Deck Number 3, Wide
11	04778120	1							TUMBLER, Door and Deck Number 4, Wide
12	05010879AA	1							TUMBLER, Ignition Number 1, Sidebar
13	05010880AA	1							TUMBLER, Ignition Number 2, Sidebar
14	05010881AA	1							TUMBLER, Ignition Number 3, Sidebar
15	05010882AA	1							TUMBLER, Ignition Number 4, Sidebar
16	04778150	1			T				SHUTTER, Door, Deck and Liftgate, Bright
17	04778149	1							CAP, Door Lock Cylinder, Bright
18	04778121	1							SPRING, Door and Deck Tumbler
19	55136763AA	1							BRACKET, Security
20	05013808AA	1							SCREW, Security Bracket Mounting
-21	04658444	1							CLIP, Latch, Purple
-22	55136557AA	1							SWITCH, Security Alarm
-23	04686665AB	1							MODULE, Immobilizer

GRAND CHEROKEE (WJ)
 SERIES LINE BODY ENGINE TRANSMISSION
 H = Laredo T = JEEP - 2WD 74 = SPORT UTILITY 4-DR ERH = ENGINE - 4.0L DKG = TRANSMISSION - 4-SPD.
 P = Limited J = JEEP - 4WD POWER TECH I-6 AUTOMATIC, 42RE
 EVA = ENGINE- 4.7L V8 MPI DGQ = TRANSMISSION-5SPD
 AUTOMATIC 5-45RFE
 DGO = ALL AUTOMATIC TRANSMISSIONS

AR = use ase required - = Non illustrated part

**Windshield Wiper & Washer
Figure 23D-230**



ITEM	PART NUMBER	QTY	LINE	SERIES	BODY	ENGINE	TRANS	TRIM	DESCRIPTION
ER0=4.0L Engine EVO=4.7L Engine									
1	55155092	1							MODULE, Wiper, Wiper Motor Included
2									ARM, Wiper
	05012605AA	1							Left Side
	05012606AA	1							Right Side
3	05012611AB	1							BLADE, Wiper, (Qty.2)
	WBFLAT07AA								Mopar Alternative Flat Blade Set
	WBW00021AD								Mopar Alternative Winter Wiper Blades
	WB000021AE								Mopar V-Line Alternative Part
4	06503335	2							NUT, Hex, M10X1.25
5	55155765AA	2							CAP, Wiper Arm Nut
6	06100568	4							BOLT AND WASHER, Implement Attaching
7	05012594AA	1							RESERVOIR, Washer
8	05012603AA	1							CAP, Washer Reservoir
9	55155522AC	1							HOSE, Windshield Washer
10	04439003	2							HOSE, Windshield Washer, 0156 ID=4MM
11	04778224	1							CONNECTOR, Washer Hose, In Line
12									PUMP, Washer, Windshield
	05017794AA	1							Front Washers
	05017795AA	1							Rear Washers
13	05017795AA	1							SCREW, .250-14x.875, (NOT SERVICED),
-14	55155199	2							NOZZLE, Washer, Windshield
-15	04882797	1							SENSOR, Washer Fluid Level
-16	04798779	1							GROMMET, Windshield Washer Pump, Sensor Grommet
-17	05011809AA	1							GROMMET, Windshield Washer Pump, Pump Grommet
-18	03799520	1							GROMMET, Hose to Reservoir
-19	55155694AB	1							HOSE, Washer Reservoir

GRAND CHEROKEE (WJ)

SERIES LINE
H = Laredo T = JEEP - 2WD
P = Limited J = JEEP - 4WD

BODY
74 = SPORT UTILITY 4-DR

ENGINE
ERH = ENGINE - 4.0L
POWER TECH I-6
EVA = ENGINE- 4.7L V8 MPI

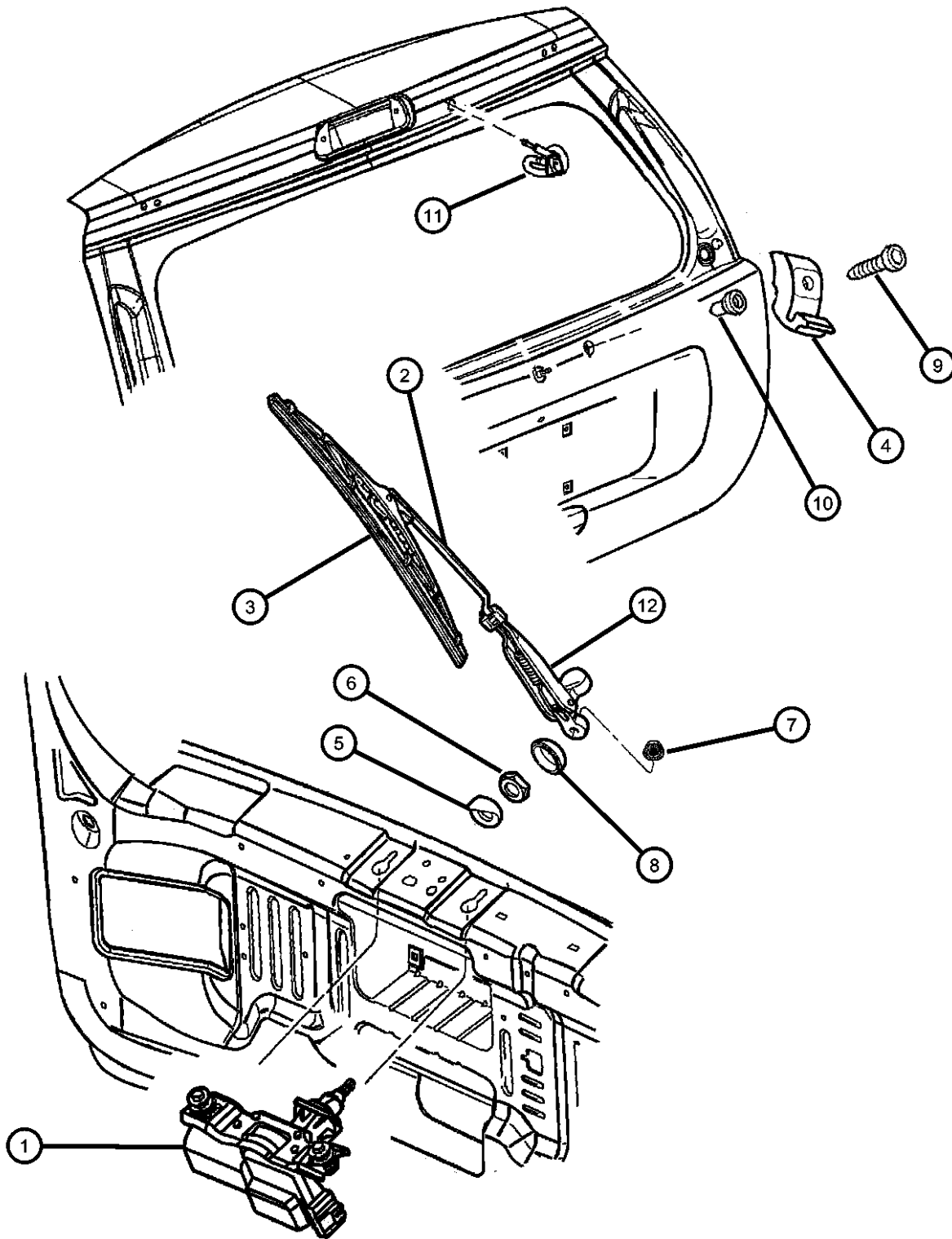
TRANSMISSION
DGK = TRANSMISSION - 4-SPD.
AUTOMATIC, 42RE
DGQ = TRANSMISSION-5SPD
AUTOMATIC 5-45RFE
DGO = ALL AUTOMATIC
TRANSMISSIONS

AR = use ase required - = Non illustrated part

2001 WJ

Rear Wiper & Washer System
Figure 23D-330

ITEM	PART NUMBER	QTY	LINE	SERIES	BODY	ENGINE	TRANS	TRIM	DESCRIPTION
1	55155122AD	1							MOTOR, Wiper
2	05012610AB	1							ARM, Liftgate Wiper
3	05012615AB	1							BLADE, Wiper
	WB000012AE								Mopar V-Line Alternative Part
4	55155124	1							RAMP, Wiper Park
5	55155358	1							BEZEL, Wiper Motor
6	06502263	1							NUT, Hex, M20x1.00
7	06500165	1							NUT, Wiper Arm
8	55076650	1							COVER, Rear Wiper Motor, Nut
9	06505062AA	1							SCREW, Pilot Point
10	06503245	1							NUT/RIVET, Cooler To Closure Panel
11	55155201AC	1							NOZZLE, Washer, Windshield
12	05014217AA	1							COVER, Rear Wiper Motor, Lower Wiper Arm
-13	55077241AB	1							PUMP, Washer, Windshield
-14	55155765AA	2							CAP, Wiper Arm Nut



GRAND CHEROKEE (WJ)

SERIES LINE
H = Laredo T = JEEP - 2WD
P = Limited J = JEEP - 4WD

BODY
74 = SPORT UTILITY 4-DR

ENGINE
ERH = ENGINE - 4.0L
POWER TECH I-6
EVA = ENGINE- 4.7L V8 MPI

TRANSMISSION
DGK = TRANSMISSION - 4-SPD.
AUTOMATIC, 42RE
DGQ = TRANSMISSION-5SPD
AUTOMATIC 5-45RFE
DGO = ALL AUTOMATIC
TRANSMISSIONS

AR = use ase required - = Non illustrated part

2001 WJ

Group - 24

Air Conditioning & Heater

Group - 24 Air Conditioning & Heater

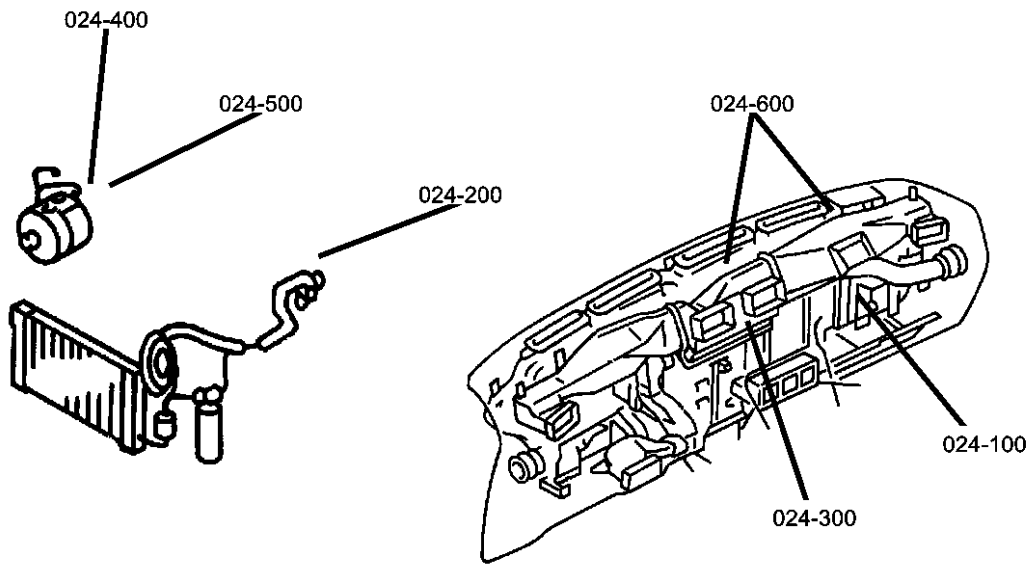


Illustration Title

Group-Fig. No.

Air Conditioner and Heater Units

HEVAC with Auto Temp Control, LHD	Fig. 24 - 150
HEVAC with Manual Control, LHD	Fig. 24 - 170

Air Conditioner and Heater Plumbing

Hoses, Heater 4.0L Engine	Fig. 24 - 240
Hoses, Heater 4.7L Engine	Fig. 24 - 245
Accumulator, Condenser and Lines 4.0L Engines	Fig. 24 - 250
Accumulator, Condenser and Lines 4.7L Engine	Fig. 24 - 255
Hevac Vacuum Engine Lines and Controls	Fig. 24 - 260

Air Conditioner and Heater Controls

Control, Heater and Air Conditioner	Fig. 24 - 330
---	---------------

Air Conditioning Compressor

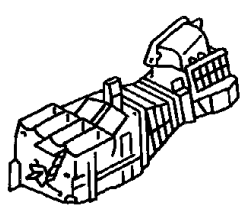
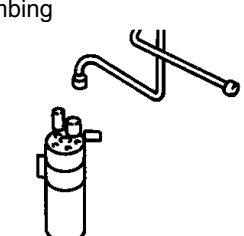
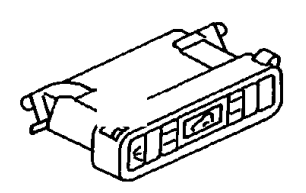
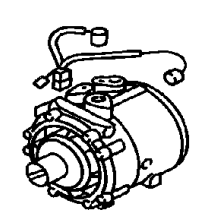
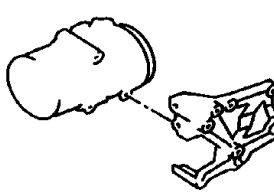
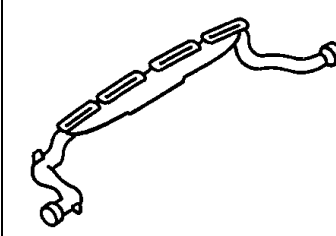
Compressor, Air Conditioning 4.0L Engine	Fig. 24 - 410
Compressor, Air Conditioning 4.7L Engine	Fig. 24 - 420

Air Conditioning Compressor Mounting

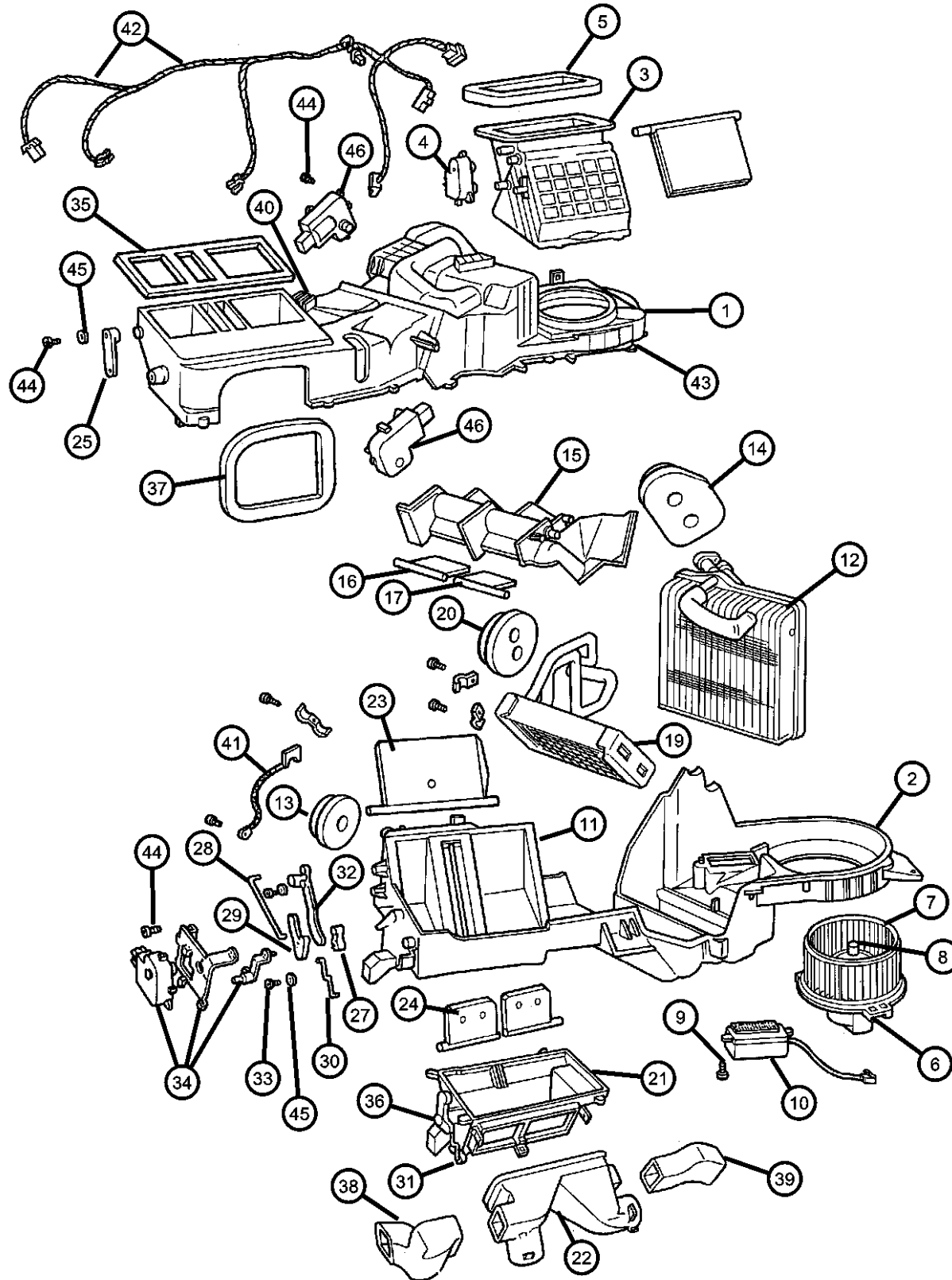
Compressor, Mounting 4.0L Engine	Fig. 24 - 510
Compressor, Mounting 4.7L Engine	Fig. 24 - 520

Air Ducts and Outlets

Air Ducts and Outlets	Fig. 24 - 610
-----------------------------	---------------

<p>024-100 Air Conditioner and Heater Units</p> 	<p>024-200 Air Conditioner and Heater Plumbing</p> 	<p>024-300 Air Conditioner and Heater Controls</p> 	<p>024-400 Air Conditioning Compressor</p> 
<p>024-500 Air Conditioning Compressor Mounting</p> 	<p>024-600 Air Ducts and Outlets</p> 		

HEVAC with Auto Temp Control, LHD
Figure 24-150



ITEM	PART NUMBER	QTY	LINE	SERIES	BODY	ENGINE	TRANS	TRIM	DESCRIPTION
Sales Codes: EVO = All 4.7L Gas Engines HAF = Auto Temp Control									
1	05012715AD	1							HOUSING, A/C Upper
2	05012714AC	1							HOUSING, A/C Lower
3	05012713AA	1							HOUSING, Air Recirculating
4	05012710AA	1							SERVO, A/C Temperature Door
5	05012709AA	1							SEAL, Air Inlet
6	05012708AA	1							MOTOR, Blower
7	05012701AB	1							FAN, Blower Motor
8	02837680	1							CLAMP, Blower Motor Wheel
9	05012700AA	3							SCREW, Tapping
10	05012699AA	1							RESISTOR, Blower Motor
11	05012698AB	1							INSULATOR, Air Conditioning
12	05012697AA	1							EVAPORATOR, Air Conditioning
	V9900014								Mopar V-Line Alternative Part
13	05012696AA	1							SEAL, Evaporator Drain
14	05014744AA	1							SEAL, A/C Evaporator
15	05134349AA	1							HOUSING, A/C Unit
16	05012693AA	1							DOOR, Blend Air
17	05012692AA	1							DOOR, Blend Air
-18	05012711AA	1							LINK, Heater and Damper Control
19	05012691AB	1							CORE, Heater
20	05012744AA	1							SEAL, Heater Tubes
21	05012743AA	1							HOUSING, A/C Unit
22	05012742AA	1							COVER, Heater
23	05012740AA	1							DOOR, Distribution Duct
24	05012739AA	1							DOOR, Floor Defroster Duct
25	05012738AA	1							LEVER, Panel Door
-26	05012741AA	1							DOOR, Panel, Stamped 934
27	05012735AA	1							LEVER, Panel Door
28	05012734AA	1							SHAFT, A/C and Heater Door
29	05012733AA	1							LINK, Heater and Defroster Door
30	05012732AA	1							SHAFT, Defroster Door

GRAND CHEROKEE (WJ)

SERIES LINE
 H = Laredo T = JEEP - 2WD
 P = Limited J = JEEP - 4WD

BODY
 74 = SPORT UTILITY 4-DR

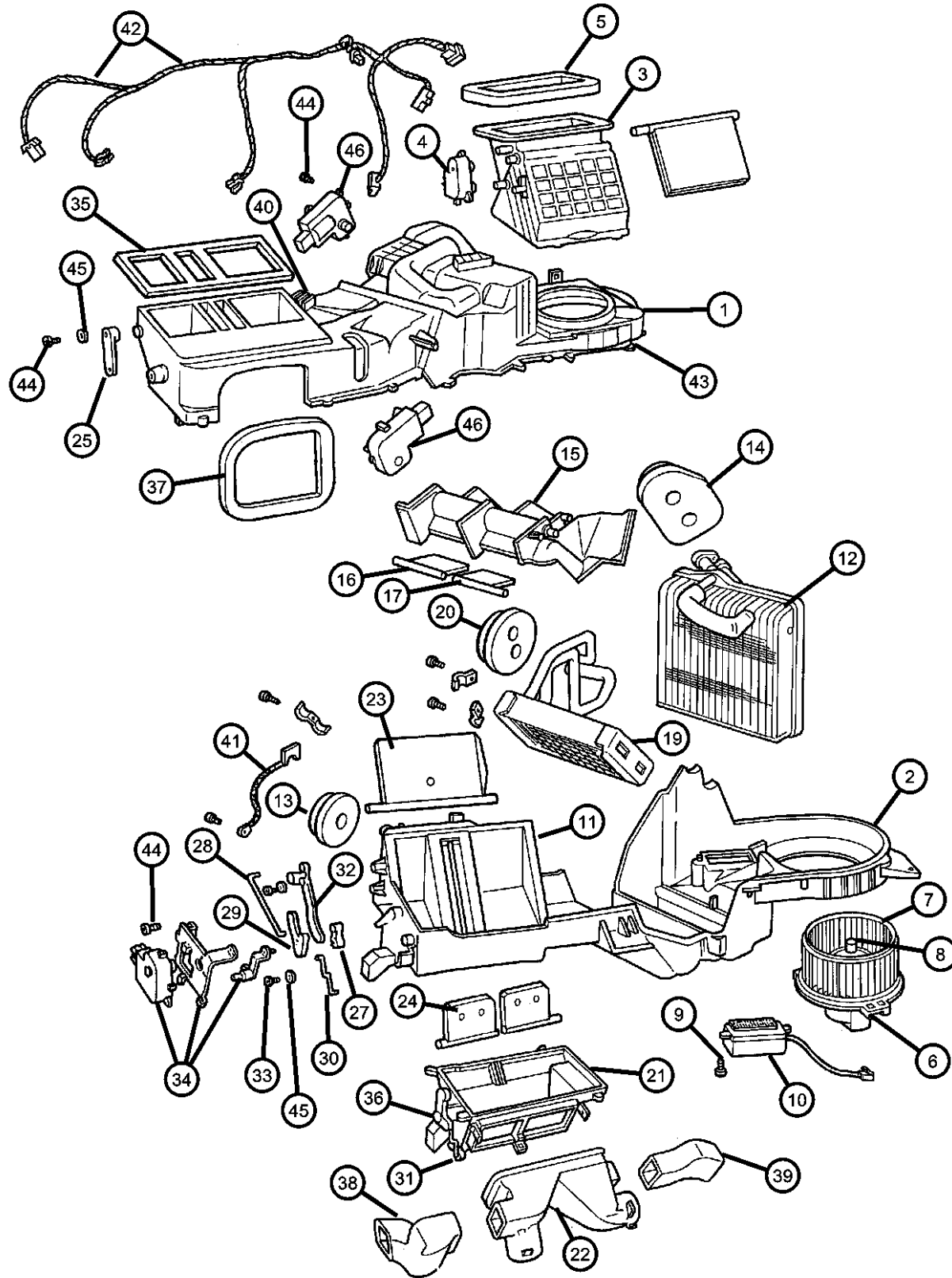
ENGINE
 ERH = ENGINE - 4.0L
 POWER TECH I-6
 EVA = ENGINE- 4.7L V8 MPI

TRANSMISSION
 DGK = TRANSMISSION - 4-SPD.
 AUTOMATIC, 42RE
 DGQ = TRANSMISSION-5SPD
 AUTOMATIC 5-45RFE
 DGO = ALL AUTOMATIC
 TRANSMISSIONS

AR = use ase required - = Non illustrated part

2001 WJ

HEVAC with Auto Temp Control, LHD
Figure 24-150



ITEM	PART NUMBER	QTY	LINE	SERIES	BODY	ENGINE	TRANS	TRIM	DESCRIPTION
31	05012731AA	1							LEVER, A/C Vent Defrost Door
32	05012730AA	1							LEVER, Panel Door
33	05012729AA	1							SCREW, Tapping
34	05012728AA	1							SERVO, Mode Door, Includes Lever
35	05012727AA	1							SEAL, Demister
36	05012726AA	1							SEAL, Defroster Duct
37	05015354AA	1							SEAL, Panel
38	05012722AD	1							DUCT, Floor Distribution
39	05012722AC	1							DUCT, Floor Distribution
40	05012721AA	1							SEAL, Air Conditioning Unit
41	56038591AB	1				EVO			STRAP, Ground
42	05012719AA	1							HARNESS, Air Conditioning Control
43	04720533	1							SCREW, Heater Housing
44	04720534	1							SCREW, Pan Head
45	05012756AA	5							SPRING
46	05012710AA	2							SERVO, A/C Temperature Door

GRAND CHEROKEE (WJ)

SERIES LINE
H = Laredo T = JEEP - 2WD
P = Limited J = JEEP - 4WD

BODY
74 = SPORT UTILITY 4-DR

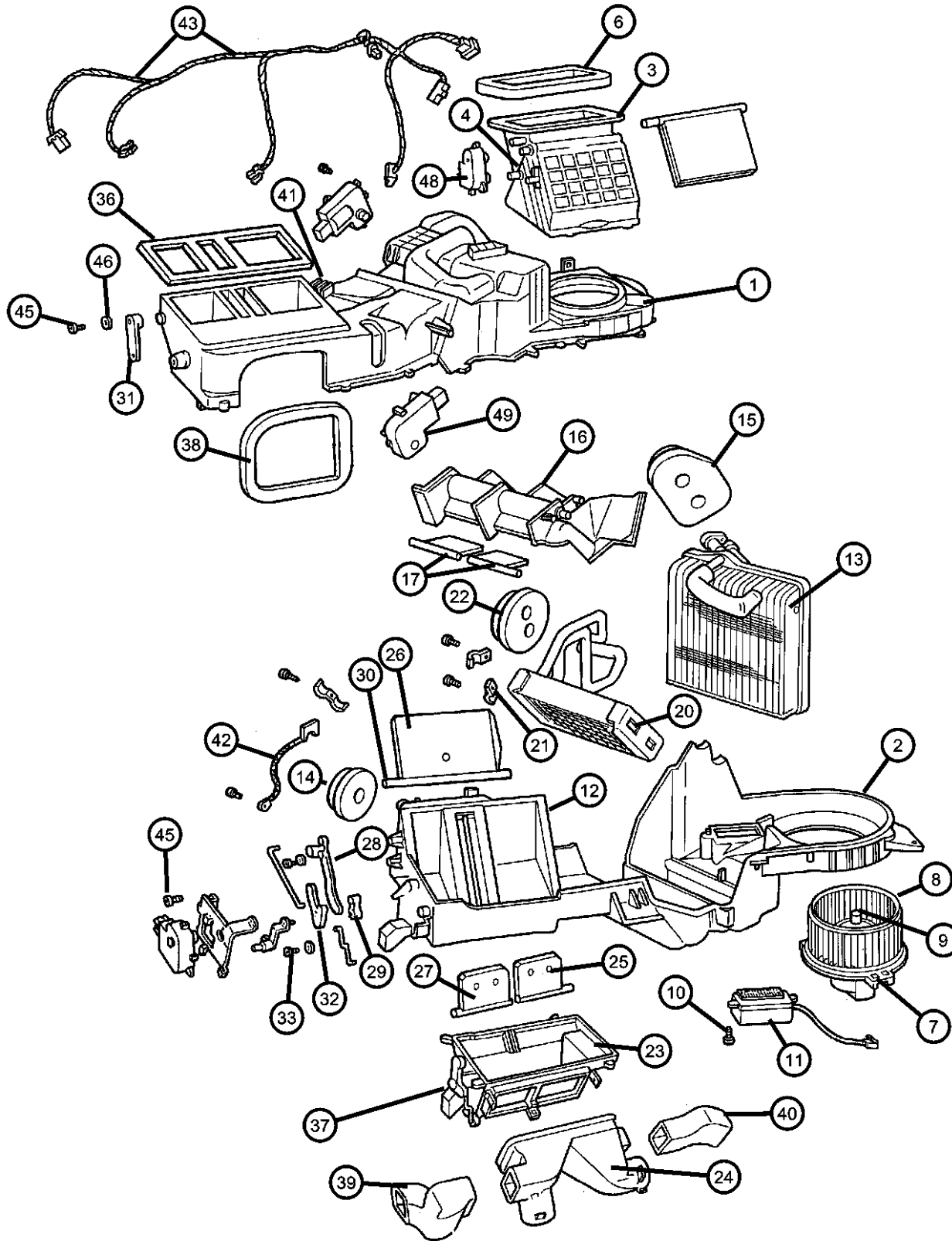
ENGINE
ERH = ENGINE - 4.0L
POWER TECH I-6
EVA = ENGINE- 4.7L V8 MPI

TRANSMISSION
DGK = TRANSMISSION - 4-SPD.
AUTOMATIC, 42RE
DGQ = TRANSMISSION-5SPD
AUTOMATIC 5-45RFE
DGO = ALL AUTOMATIC
TRANSMISSIONS

AR = use ase required - = Non illustrated part

2001 WJ

HEVAC with Manual Control, LHD
Figure 24-170



ITEM	PART NUMBER	QTY	LINE	SERIES	BODY	ENGINE	TRANS	TRIM	DESCRIPTION
Note: Sales Code EVO = All 4.7L Gas Engines HAA = Air Conditioning									
1	05012715AD	1							HOUSING, A/C Upper
2	05012755AC	1							HOUSING, A/C Lower
3	05012754AA	1							HOUSING, Air Recirculating
4	05012753AA	1							LEVER, A/C Recirculation Door
-5	05012752AA	1							DIAPHRAGM, Heater and A/C Unit, Fresh/Recir
6	05012709AA	1							SEAL, Air Inlet
7	05012708AA	1							MOTOR, Blower
8	05012701AB	1							FAN, Blower Motor
9	02837680	1							CLAMP, Blower Motor Wheel
10	05012700AA	1							SCREW, Tapping
11	05014212AA	1							RESISTOR, Blower Motor
12	05012698AB	1							INSULATOR, Air Conditioning
13	05012697AA	1							EVAPORATOR, Air Conditioning
	V9900014								Mopar V-Line Alternative Part
14	05012696AA	1							SEAL, Evaporator Drain
15	05014744AA	1							SEAL, A/C Evaporator
16	05134351AA	1							HOUSING, A/C Unit
17	05012751AA	1							DOOR, Blend Air
-18	05012711AA	2							LINK, Heater and Damper Contrl
-19	05012750AA	1							SERVO, A/C Temperature Door
20	05012691AC	1							CORE, Heater
21	05012745AA	2							CLAMP, Heater
22	05012744AA	1							SEAL, Heater Tubes
23	05012762AA	1							HOUSING, A/C Unit
24	05012742AA	1							COVER, Heater
25	05012741AA	1							DOOR, Panel
26	05012740AA	1							DOOR, Distribution Duct
27	05012739AA	1							DOOR, Floor Defroster Duct
28	05012738AA	1							LEVER, Panel Door
29	05012735AA	1							LEVER, Panel Door
30	05012734AA	1							SHAFT, A/C and Heater Door

GRAND CHEROKEE (WJ)

SERIES LINE
 H = Laredo T = JEEP - 2WD
 P = Limited J = JEEP - 4WD

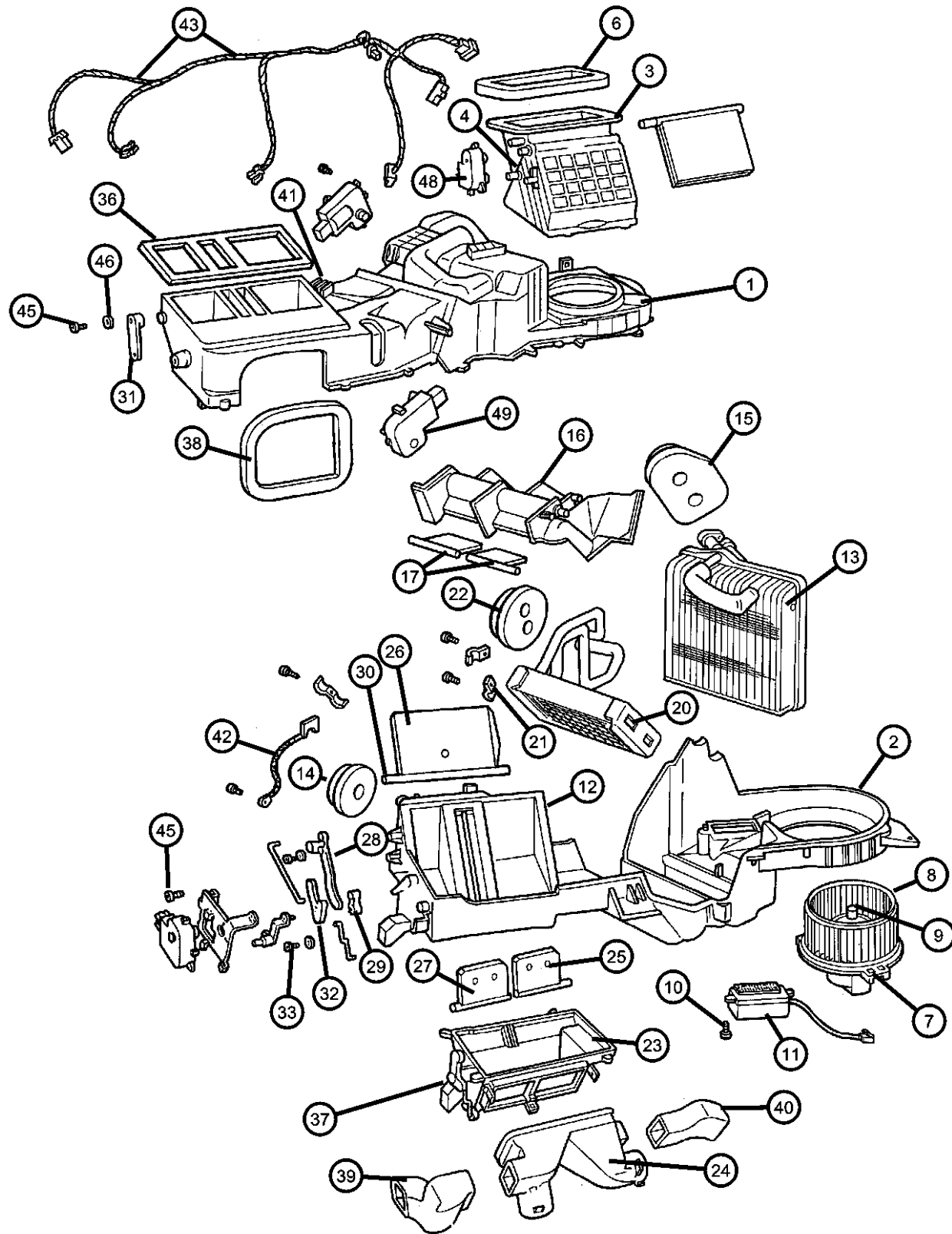
BODY
 74 = SPORT UTILITY 4-DR

ENGINE
 ERH = ENGINE - 4.0L
 POWER TECH I-6
 EVA = ENGINE- 4.7L V8 MPI

TRANSMISSION
 DGK = TRANSMISSION - 4-SPD.
 AUTOMATIC, 42RE
 DGQ = TRANSMISSION-5SPD
 AUTOMATIC 5-45RFE
 DGO = ALL AUTOMATIC
 TRANSMISSIONS

AR = use ase required - = Non illustrated part

HEVAC with Manual Control, LHD
Figure 24-170



ITEM	PART NUMBER	QTY	LINE	SERIES	BODY	ENGINE	TRANS	TRIM	DESCRIPTION
31	05012731AA	1							LEVER, A/C Vent Defrost Door
32	05012761AA	1							LEVER, Panel Door
33	05012729AA	1							SCREW, Tapping
-34	05012760AA	1							DIAPHRAGM, Heater and A/C Unit, Panel
-35	05012759AA	1							DIAPHRAGM, Heater and A/C Unit, Defrost
36	05012727AA	1							SEAL, Demister
37	05012726AA	1							SEAL, Defroster Duct
38	05015355AA	1							SEAL, Panel
39	05012722AD	1							DUCT, Floor Distribution
40	05012722AD	1							DUCT, Floor Distribution
41	05012721AA	1							SEAL, Air Conditioning Unit
42	56038591AB	1				EVO			STRAP, Ground
43	05012758AA	1							HARNESS, Air Conditioning Control
-44	05012757AB	1							TUBE, Vacuum
45	04720533	26							SCREW, Heater Housing
46	04720534	6							SCREW, Pan Head
-47	05012756AA	5							SPRING, Case Holding
48	05012750AA	1							SERVO, A/C Temperature Door
49	05012750AA	1							SERVO, A/C Temperature Door

GRAND CHEROKEE (WJ)

SERIES LINE
H = Laredo T = JEEP - 2WD
P = Limited J = JEEP - 4WD

BODY
74 = SPORT UTILITY 4-DR

ENGINE
ERH = ENGINE - 4.0L
POWER TECH I-6
EVA = ENGINE- 4.7L V8 MPI

TRANSMISSION
DGK = TRANSMISSION - 4-SPD.
AUTOMATIC, 42RE
DGQ = TRANSMISSION-5SPD
AUTOMATIC 5-45RFE
DGO = ALL AUTOMATIC
TRANSMISSIONS

AR = use ase required - = Non illustrated part

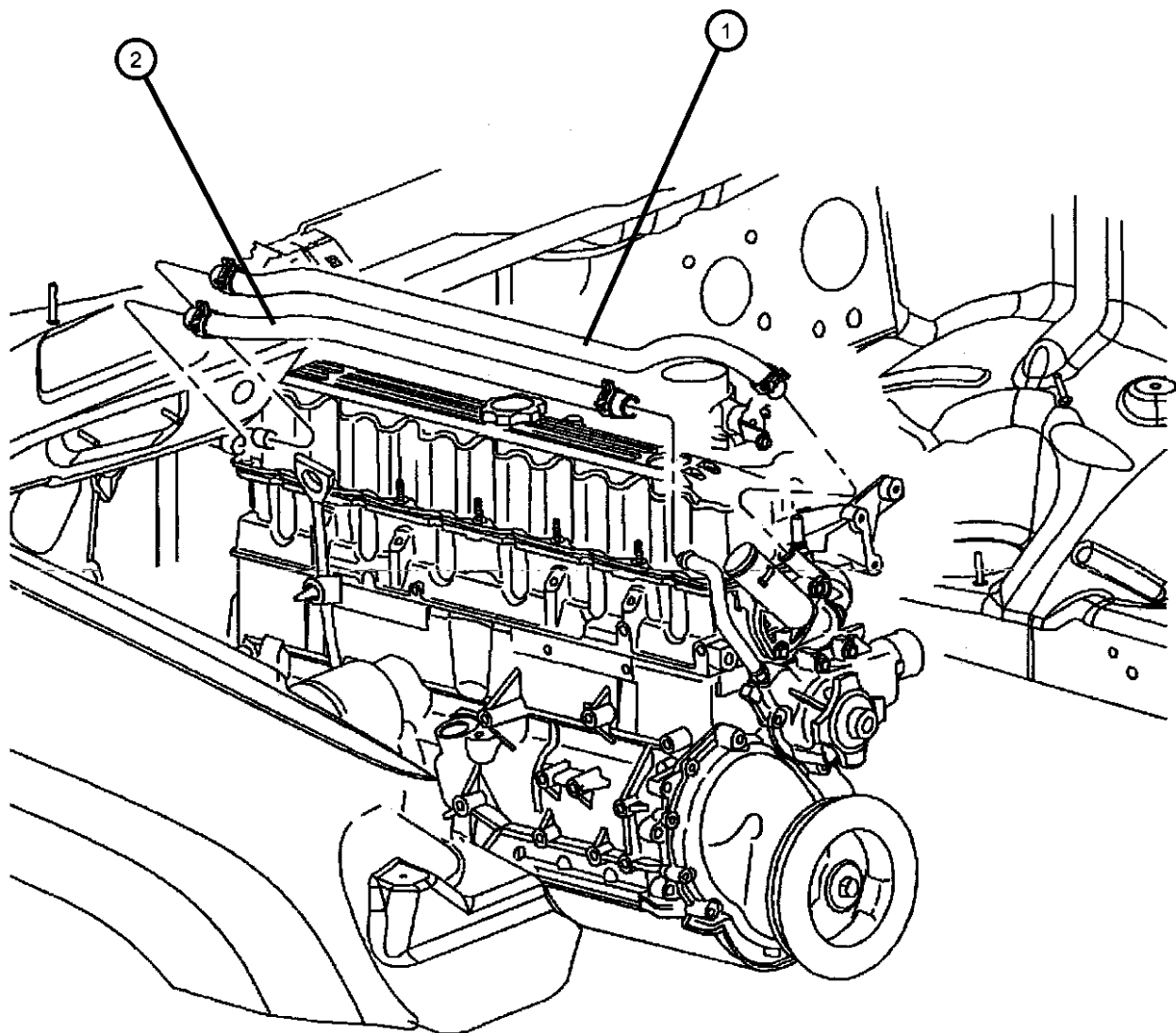
2001 WJ

Hoses, Heater 4.0L Engine
Figure 24-240

ITEM	PART NUMBER	QTY	LINE	SERIES	BODY	ENGINE	TRANS	TRIM	DESCRIPTION
------	-------------	-----	------	--------	------	--------	-------	------	-------------

Note: Sales Code ER0 = 4.0 L Engine

1	55115890	1				ER0			HOSE, Heater Supply
2	55115897	1				ER0			HOSE, Heater Return



GRAND CHEROKEE (WJ)

SERIES	LINE	BODY	ENGINE	TRANSMISSION
H = Laredo	T = JEEP - 2WD	74 = SPORT UTILITY 4-DR	ERH = ENGINE - 4.0L POWER TECH I-6	DGK = TRANSMISSION - 4-SPD. AUTOMATIC, 42RE
P = Limited	J = JEEP - 4WD		EVA = ENGINE- 4.7L V8 MPI	DGQ = TRANSMISSION-5SPD AUTOMATIC 5-45RFE DGO = ALL AUTOMATIC TRANSMISSIONS

AR = use ase required - = Non illustrated part

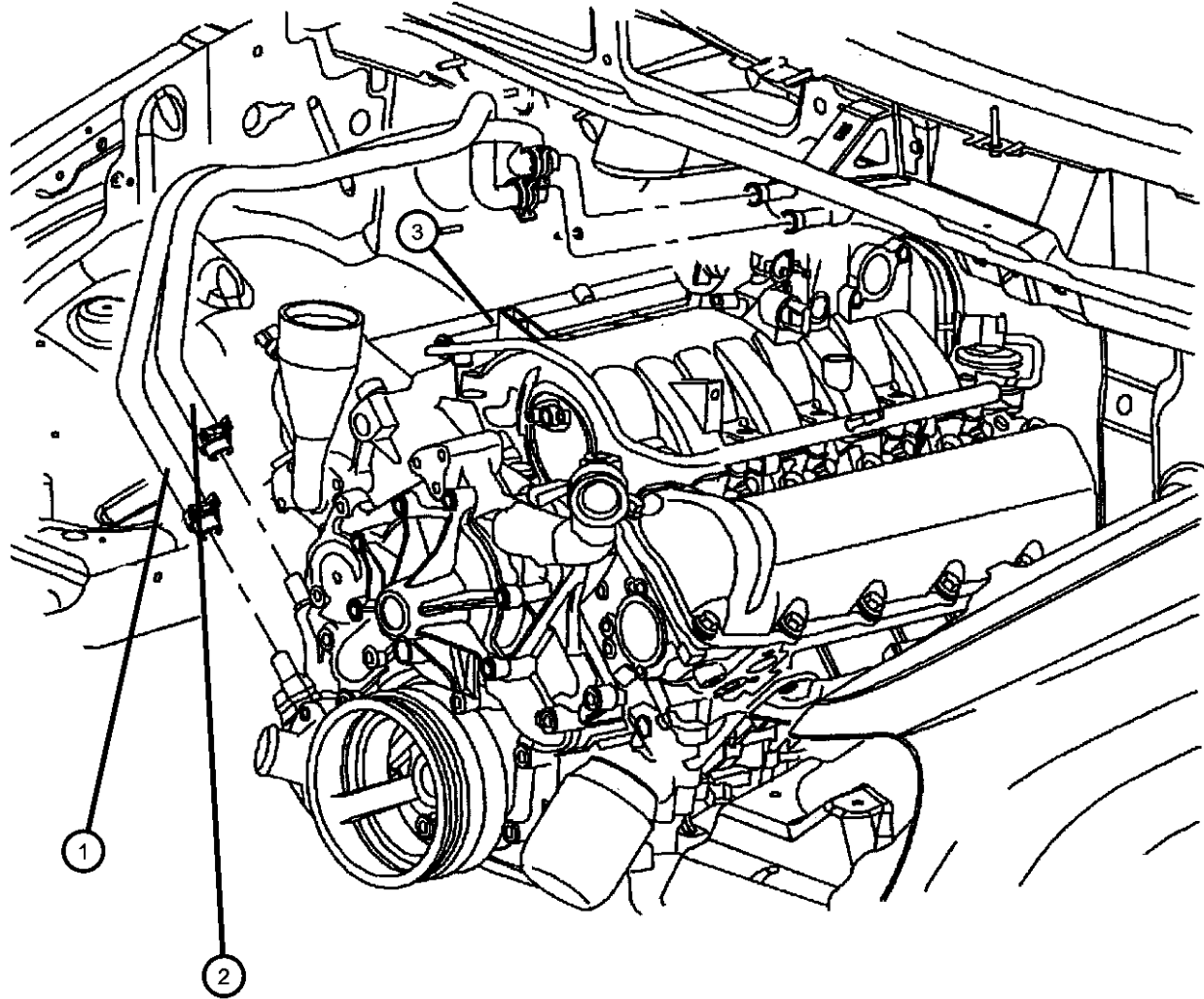
2001 WJ

Hoses, Heater 4.7L Engine
Figure 24-245

ITEM	PART NUMBER	QTY	LINE	SERIES	BODY	ENGINE	TRANS	TRIM	DESCRIPTION
------	-------------	-----	------	--------	------	--------	-------	------	-------------

Note: Sales Code EV0 = 4.7 L Engine

1	55115895AB	1				EV0			TUBE AND HOSE, Supply
2	55115896AB	1				EV0			TUBE AND HOSE, Return
3	55055925AB	1				EV0			CLIP, Heater Hose



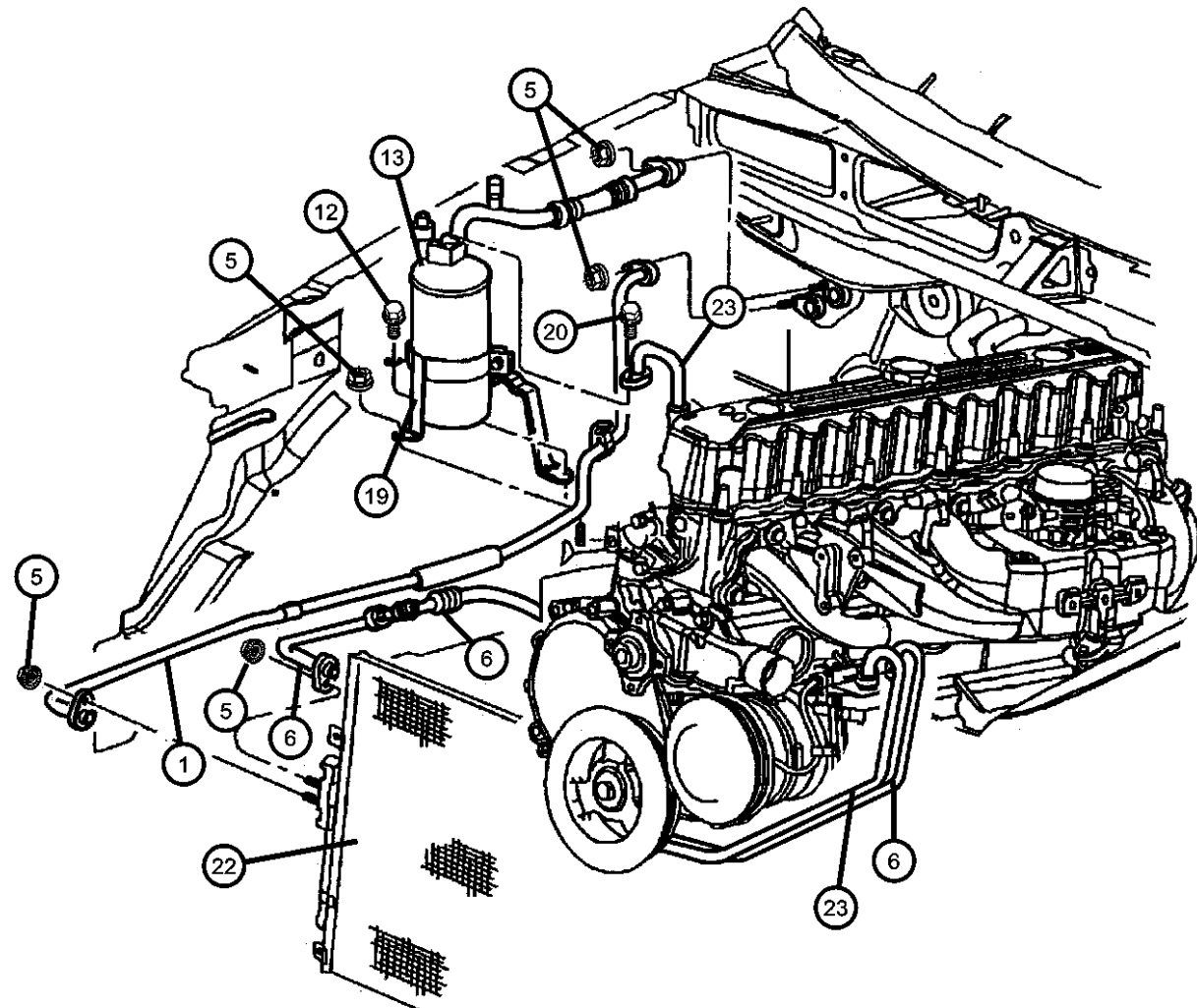
GRAND CHEROKEE (WJ)

SERIES	LINE	BODY	ENGINE	TRANSMISSION
H = Laredo	T = JEEP - 2WD	74 = SPORT UTILITY 4-DR	ERH = ENGINE - 4.0L POWER TECH I-6	DGK = TRANSMISSION - 4-SPD. AUTOMATIC, 42RE
P = Limited	J = JEEP - 4WD		EVA = ENGINE- 4.7L V8 MPI	DGQ = TRANSMISSION-5SPD AUTOMATIC 5-45RFE DGO = ALL AUTOMATIC TRANSMISSIONS

AR = use ase required - = Non illustrated part

2001 WJ

Accumulator, Condenser and Lines 4.0L Engines
Figure 24-250



ITEM	PART NUMBER	QTY	LINE	SERIES	BODY	ENGINE	TRANS	TRIM	DESCRIPTION
Note: Sales Code ER0 = All 4.0L Engines									
Note: Sales Code EV0 = All 4.7L Gas Engines									
Note: Sales Code EX0 = All 3.1L Engines									
1	55115914AC	1				ER0, EV0			LINE, A/C Liquid
-2	04796565	2				ER0			O RING, A/C Discharge Line
-3	05012980AA	1				ER0, EV0			O RING, A/C Liquid Line
-4	55116339AA	1				ER0, EV0			RETAINER, A/C Supply Line
5	06101445	1							NUT AND WASHER, Hex Nut-Coned Washer, M8 x 1.25
6	55116162AB	1				ER0			LINE, A/C Discharge
-7	04796565	2				ER0			O RING, A/C Discharge Line
-8	05012980AA	1				ER0, EV0			O RING, A/C Liquid Line
-9	05011346AA	1				ER0			VALVE CORE, Service Port
-10	05012988AA	1				ER0			BRACKET, A/C Line
-11	04897617AA	1				ER0			SWITCH, A/C High Pressure Cut Off
12	06502064	6							SCREW, Tapping, M6x1x20
13	55115910AC	1				ER0			ACCUMULATOR, Suction Line
-14	05012979AA	1				ER0			O RING, A/C Suction Line
-15	04728705	1				ER0			O RING, Low Pressure Cutout Switc
-16	04897613AA	1				ER0			SWITCH, A/C Cycling
-17	05011346AA	1				ER0			VALVE CORE, Service Port
-18	05015568AA	1				ER0			CAP, A/C Charge Valve
19	05012986AA	1				ER0			BRACKET, Accumulator
20	06501648	1				ER0			SCREW, Hex Flange Head, M8x1.25x25.00
-21	55116446AA	1							LABEL, Refrigerant
22	55115918AB	1				ER0			CONDENSER, Air Conditioning
23	55116501AB	1				ER0			LINE, A/C Suction
-24	05012979AA	1				ER0			O RING, A/C Suction Line
-25	05012981AA	1				ER0			O RING, A/C Suction Line
-26	04805378AB	1							CLIP, Tube

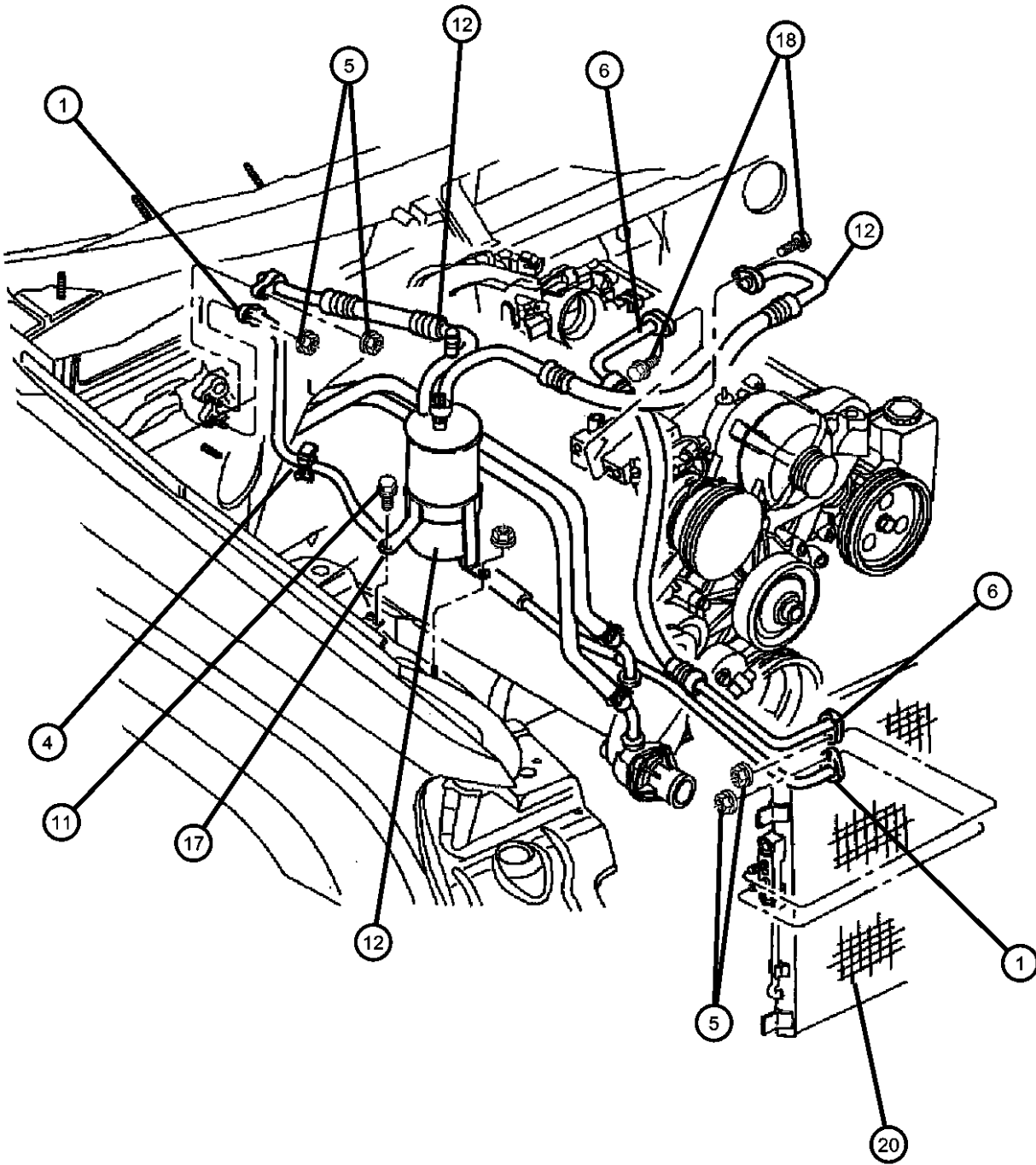
GRAND CHEROKEE (WJ)

SERIES	LINE	BODY	ENGINE	TRANSMISSION
H = Laredo	T = JEEP - 2WD	74 = SPORT UTILITY 4-DR	ERH = ENGINE - 4.0L POWER TECH I-6	DGK = TRANSMISSION - 4-SPD. AUTOMATIC, 42RE
P = Limited	J = JEEP - 4WD		EVA = ENGINE- 4.7L V8 MPI	DGQ = TRANSMISSION-5SPD AUTOMATIC 5-45RFE DGO = ALL AUTOMATIC TRANSMISSIONS

AR = use ase required - = Non illustrated part

2001 WJ

Accumulator, Condenser and Lines 4.7L Engine
Figure 24-255



ITEM	PART NUMBER	QTY	LINE	SERIES	BODY	ENGINE	TRANS	TRIM	DESCRIPTION
Note: Sales Code ER0 = All 4.0L Engines									
Note: Sales Code EV0 = All 4.7L Gas Engines									
1	55115914AC	1				ER0, EV0			LINE, A/C Liquid
-2	04796565	2				EV0			O RING, A/C Discharge Line
-3	05012980AA	1				ER0, EV0			O RING, A/C Liquid Line
4	55116339AA	1				ER0, EV0			RETAINER, A/C Supply Line
5	06101445	1				ER0, EV0			NUT AND WASHER, Hex Nut-Coned Washer, M8 x 1.25
6	55116567AA	1				EV0			LINE, A/C Discharge
-7	04796565	2				EV0			O RING, A/C Discharge Line
-8	05012980AA	1				ER0, EV0			O RING, A/C Liquid Line
-9	05011346AA	1				EV0			VALVE CORE, Service Port
-10	04897617AA	1				ER0			SWITCH, A/C High Pressure Cut Off
11	06502064	6							SCREW, Tapping, M6x1x20
12	55115911AD	1				EV0			ACCUMULATOR, Suction and Discharge Line
-13	05012979AA	1				EV0			O RING, A/C Suction Line
-14	04728705	1				EV0			O RING, Low Pressure Cutout Switc
-15	04897613AA	1				EV0			SWITCH, A/C Cycling
-16	05011346AA	1				EV0			VALVE CORE, Service Port
17	05012986AA	1				EV0			BRACKET, Accumulator
18	06501648	1				ER0			SCREW, Hex Flange Head, M8x1.25x25.00
-19	55116446AA	1							LABEL, Refrigerant
20	55115918AB	1				EV0			CONDENSER, Air Conditioning
-21	04885589AA	1							BRACKET, A/C Evaporator

GRAND CHEROKEE (WJ)

SERIES	LINE	BODY	ENGINE	TRANSMISSION
H = Laredo	T = JEEP - 2WD	74 = SPORT UTILITY 4-DR	ERH = ENGINE - 4.0L POWER TECH I-6	DGK = TRANSMISSION - 4-SPD. AUTOMATIC, 42RE
P = Limited	J = JEEP - 4WD		EVA = ENGINE- 4.7L V8 MPI	DGQ = TRANSMISSION-5SPD AUTOMATIC 5-45RFE
				DGO = ALL AUTOMATIC TRANSMISSIONS

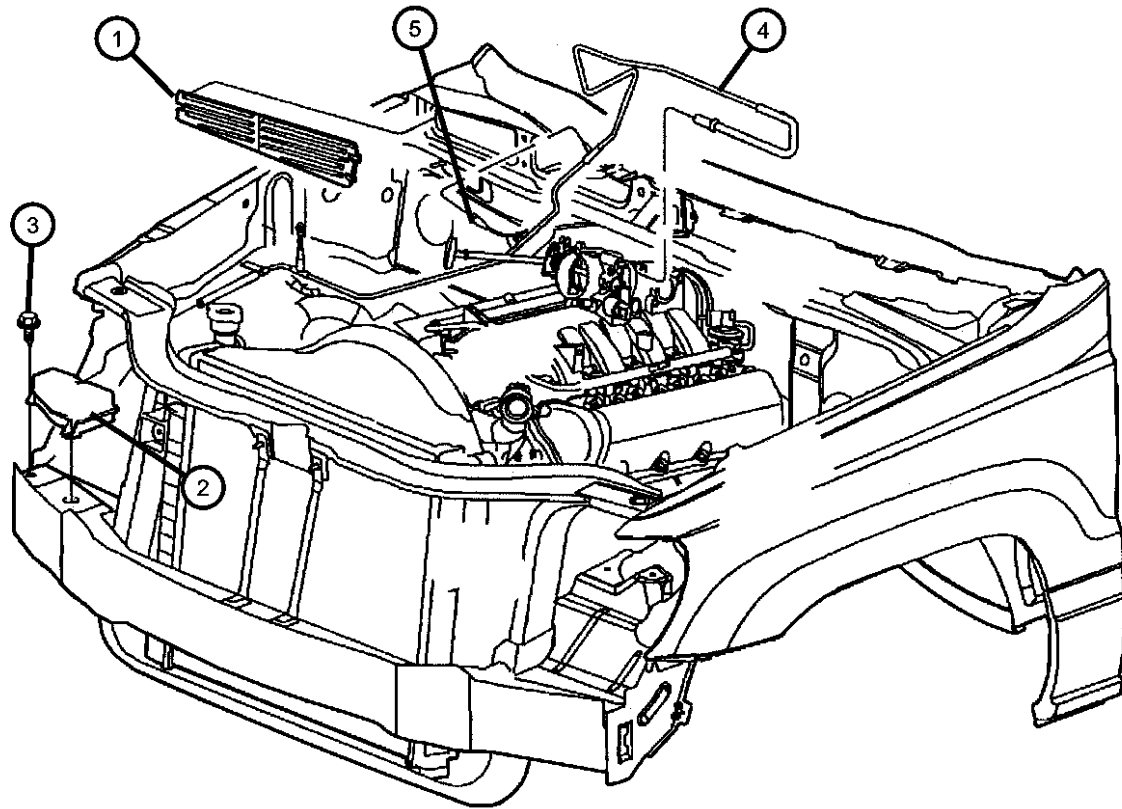
AR = use ase required - = Non illustrated part

Hevac Vacuum Engine Lines and Controls
Figure 24-260

ITEM	PART NUMBER	QTY	LINE	SERIES	BODY	ENGINE	TRANS	TRIM	DESCRIPTION
------	-------------	-----	------	--------	------	--------	-------	------	-------------

Note: Sales Code ER0 = 4.0 L Engine
 Note: Sales Code EX0 = 3.1 L Engine
 Note: Sales Code EV0 = 4.7 L Engine

1	55115885	1							BAFFLE, Air
2	55115899	1				ER0, EV0			RESERVOIR, Vacuum
3	55115899	1							SCREW, Hex Flange Head Tapping, M4.8 x 1.59 x 14.00, (NOT SERVICED)
4									VACUUM HARNESS, Heater and A/C
	55115900AC	1				EV0			
	55115901AC	1				ER0			
5	03580172	1							CAP, Vacuum



GRAND CHEROKEE (WJ)

SERIES	LINE	BODY	ENGINE	TRANSMISSION
H = Laredo	T = JEEP - 2WD	74 = SPORT UTILITY 4-DR	ERH = ENGINE - 4.0L POWER TECH I-6	DGK = TRANSMISSION - 4-SPD. AUTOMATIC, 42RE
P = Limited	J = JEEP - 4WD		EVA = ENGINE- 4.7L V8 MPI	DGQ = TRANSMISSION-5SPD AUTOMATIC 5-45RFE DGO = ALL AUTOMATIC TRANSMISSIONS

AR = use ase required - = Non illustrated part

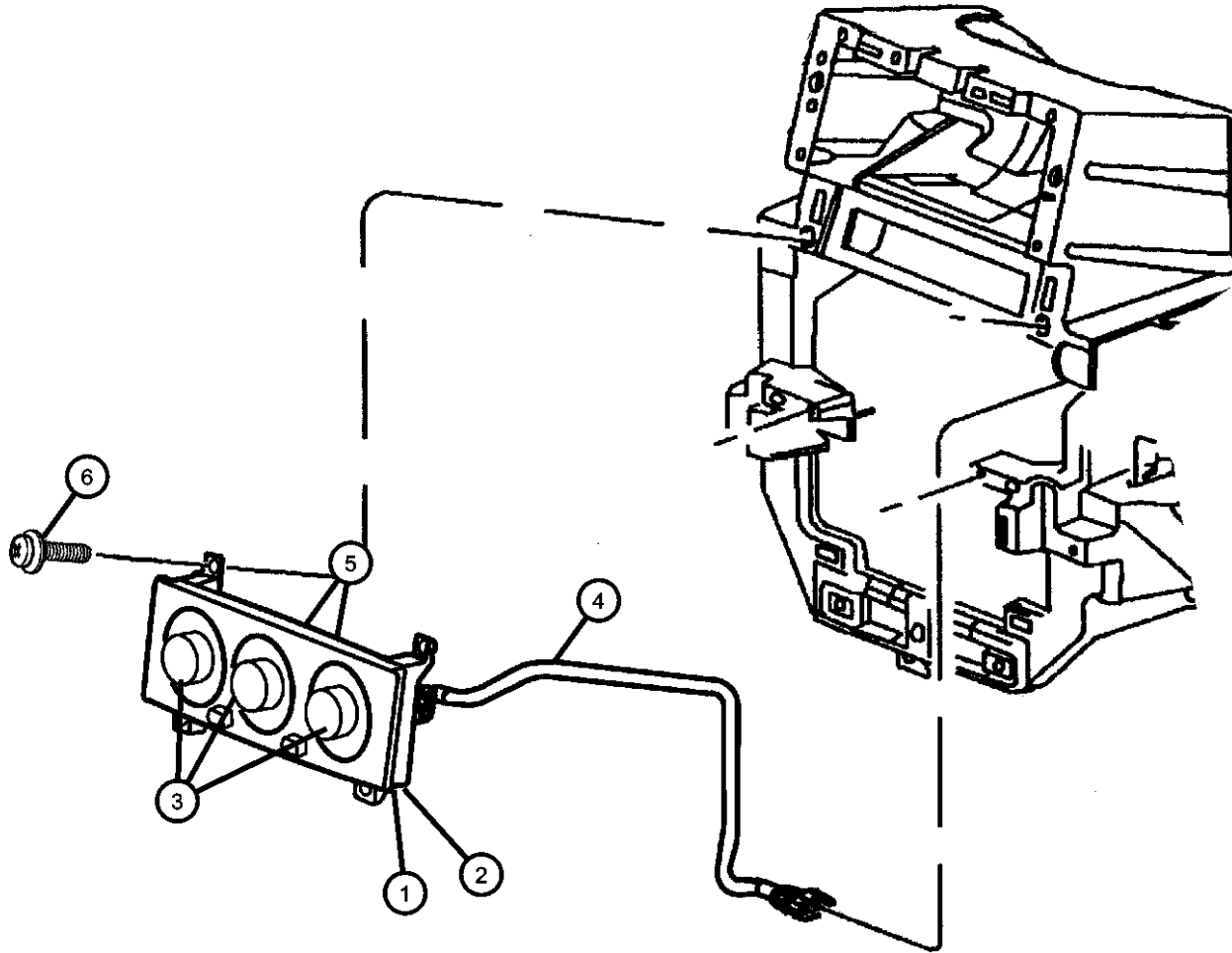
2001 WJ

Control, Heater and Air Conditioner
Figure 24-330

ITEM	PART NUMBER	QTY	LINE	SERIES	BODY	ENGINE	TRANS	TRIM	DESCRIPTION
------	-------------	-----	------	--------	------	--------	-------	------	-------------

Note: Sales Code HAA = Air Conditioning
 Note: Sales Code HAF = Auto Temp Control

1	55115904	1							CONTROL, A/C And Heater
2	55115903	1							CONTROL, Auto Temp Control
3	05012976AA	2							KNOB, ATC Control
4	05012977AA	1							HARNES, A/C And Heater Vacuum
5	05013124AA	2							BULB, Heater and A/C Control
6	05013124AA	2							SCREW, Tapping, (NOT SERVICED)



GRAND CHEROKEE (WJ)

SERIES	LINE
H = Laredo	T = JEEP - 2WD
P = Limited	J = JEEP - 4WD

BODY
74 = SPORT UTILITY 4-DR

ENGINE
ERH = ENGINE - 4.0L POWER TECH I-6
EVA = ENGINE- 4.7L V8 MPI

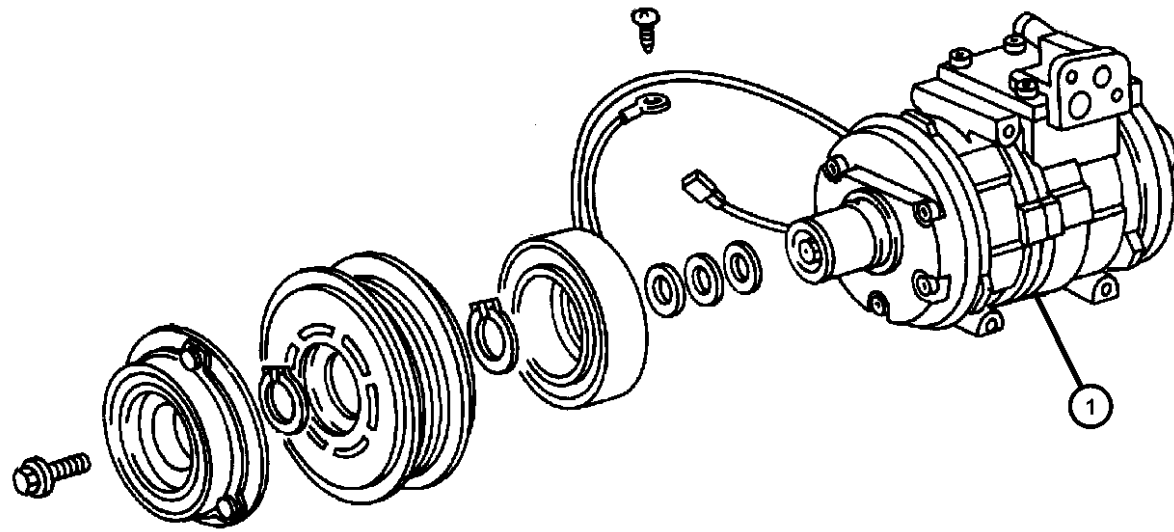
TRANSMISSION
DGK = TRANSMISSION - 4-SPD. AUTOMATIC, 42RE
DGQ = TRANSMISSION-5SPD AUTOMATIC 5-45RFE
DGO = ALL AUTOMATIC TRANSMISSIONS

AR = use ase required - = Non illustrated part

2001 WJ

**Compressor, Air Conditioning 4.0L Engine
Figure 24-410**

ITEM	PART NUMBER	QTY	LINE	SERIES	BODY	ENGINE	TRANS	TRIM	DESCRIPTION
Note: Sales Code ER0 = 4.0 L Engine									
1	55117244AA	1				ER0			COMPRESSOR, Air Conditioning
-2	05014413AA	1				ER0			MANIFOLD KIT, A/C Compressor
-3	04728854	1							SEAL, Manifold To Compressor
-4	55116423AA	1				ER0			BOLT, A/C Line Mounting
-5	05264457	1							BOLT KIT, A/C Compressor Manifold
-6	05003681AA	1				ER0			COIL, Air Conditioning Clutch
-7	05016376AA	1				ER0			PULLEY, A/C Compressor
-8	05264454	1				ER0			SNAP RING KIT, A/C Clutch
-9	82300102	1							LUBRICANT, Oil, 75w90
-10	05014415AA	1				ER0			CLUTCH, A/C Compressor, Overhaul Package



GRAND CHEROKEE (WJ)

SERIES	LINE	BODY	ENGINE	TRANSMISSION
H = Laredo	T = JEEP - 2WD	74 = SPORT UTILITY 4-DR	ERH = ENGINE - 4.0L POWER TECH I-6	DGK = TRANSMISSION - 4-SPD. AUTOMATIC, 42RE
P = Limited	J = JEEP - 4WD		EVA = ENGINE- 4.7L V8 MPI	DGQ = TRANSMISSION-5SPD AUTOMATIC 5-45RFE DGO = ALL AUTOMATIC TRANSMISSIONS

AR = use ase required - = Non illustrated part

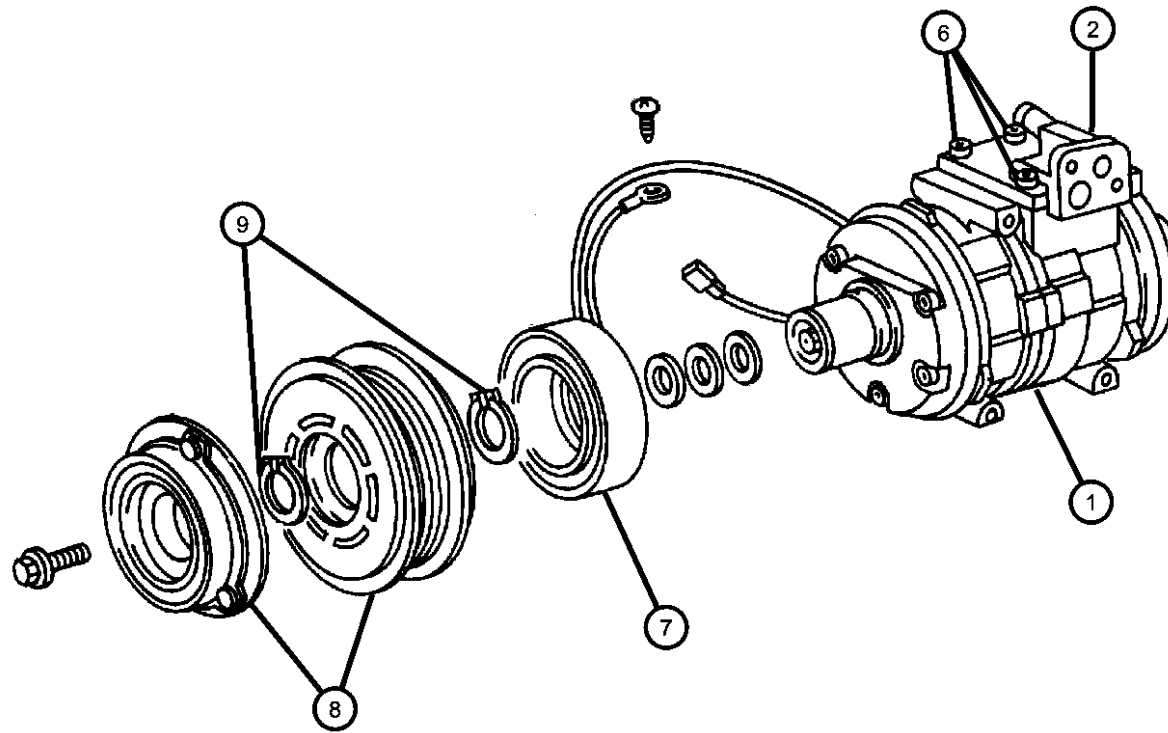
2001 WJ

**Compressor, Air Conditioning 4.7L Engine
Figure 24-420**

ITEM	PART NUMBER	QTY	LINE	SERIES	BODY	ENGINE	TRANS	TRIM	DESCRIPTION
------	-------------	-----	------	--------	------	--------	-------	------	-------------

Sales Code:
[EV0] = 4.7L Engine

1	55116906AA	1				EV0			COMPRESSOR, Air Conditioning
2	05014414AA	1				EV0			MANIFOLD KIT, A/C Compressor
-3	04728854	1				EV0			SEAL, Manifold To Compressor
-4	05014416AA	1				EV0			CLUTCH OVERHAUL KIT, A/C Compressor
-5	55116423AA	1				EV0			BOLT, A/C Line Mounting
6	05264457	1				EV0			BOLT KIT, A/C Compressor Manifold
7	05003681AA	1				EV0			COIL, Air Conditioning Clutch
8	05016376AA	1				EV0			PULLEY, A/C Compressor
9	05264454	1				EV0			SNAP RING KIT, A/C Clutch
-10	82300102	1				EV0			LUBRICANT, Oil, 75w90



GRAND CHEROKEE (WJ)

SERIES LINE
H = Laredo T = JEEP - 2WD
P = Limited J = JEEP - 4WD

BODY
74 = SPORT UTILITY 4-DR

ENGINE
ERH = ENGINE - 4.0L
POWER TECH I-6
EVA = ENGINE- 4.7L V8 MPI

TRANSMISSION
DGK = TRANSMISSION - 4-SPD.
AUTOMATIC, 42RE
DGQ = TRANSMISSION-5SPD
AUTOMATIC 5-45RFE
DGO = ALL AUTOMATIC
TRANSMISSIONS

AR = use ase required - = Non illustrated part

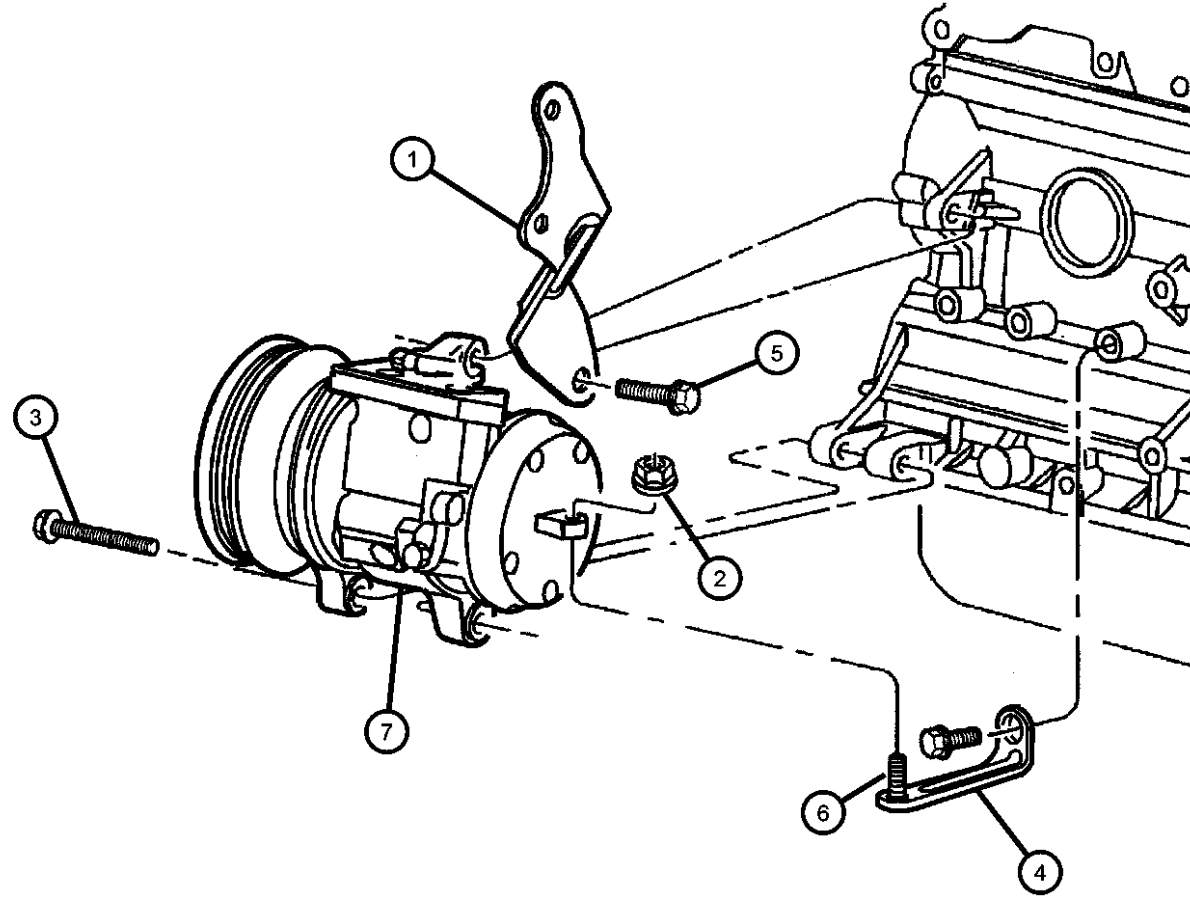
2001 WJ

**Compressor, Mounting 4.0L Engine
Figure 24-510**

ITEM	PART NUMBER	QTY	LINE	SERIES	BODY	ENGINE	TRANS	TRIM	DESCRIPTION
------	-------------	-----	------	--------	------	--------	-------	------	-------------

Note: Sales Code ER0 = All 4.0L Engines
Note: Sales Code EV0 = All 4.7L Gas Engines

1	04854157	1				ER0			BRACE, Power Steering Pump
2	06101695	4							NUT, Hex Flange Lock, M8x1.25
3	06504344	1				ER0			SCREW AND WASHER, Hex Head
4	53013053AA	1				ER0			BRACE, A/C Compressor
5	06101985	5				EV0			SCREW AND WASHER, M10x1.50x45.00
6	06101985	5							SCREW AND WASHER, Hex Head, (NOT SERVICED)
7	55117244AA	1				ER0			COMPRESSOR, Air Conditioning



GRAND CHEROKEE (WJ)

SERIES LINE
H = Laredo T = JEEP - 2WD
P = Limited J = JEEP - 4WD

BODY
74 = SPORT UTILITY 4-DR

ENGINE
ERH = ENGINE - 4.0L
POWER TECH I-6
EVA = ENGINE- 4.7L V8 MPI

TRANSMISSION
DGK = TRANSMISSION - 4-SPD.
AUTOMATIC, 42RE
DGQ = TRANSMISSION-5SPD
AUTOMATIC 5-45RFE
DGO = ALL AUTOMATIC
TRANSMISSIONS

AR = use ase required - = Non illustrated part

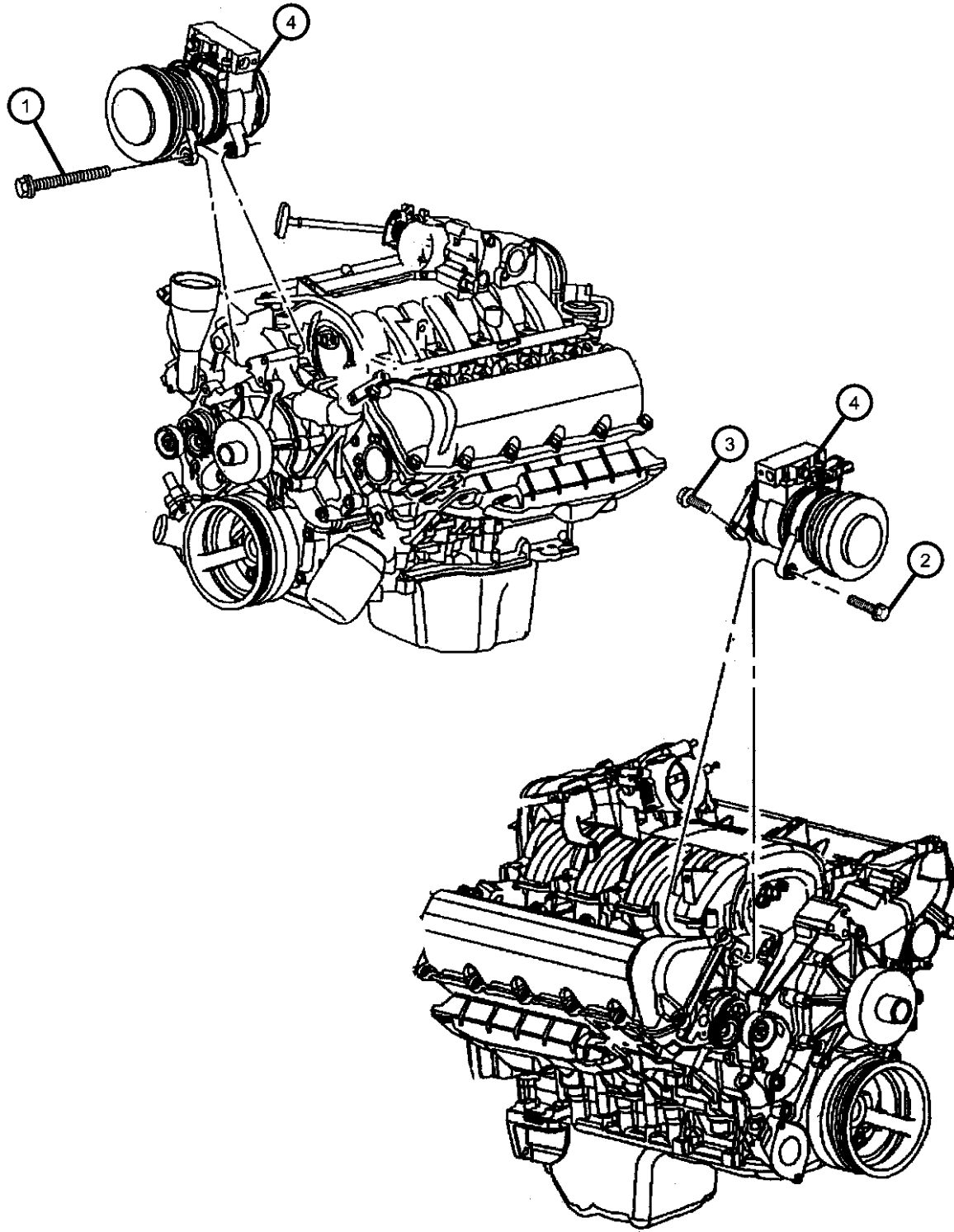
2001 WJ

**Compressor, Mounting 4.7L Engine
Figure 24-520**

ITEM	PART NUMBER	QTY	LINE	SERIES	BODY	ENGINE	TRANS	TRIM	DESCRIPTION
------	-------------	-----	------	--------	------	--------	-------	------	-------------

Note: Sales Code EV0 = 4.7 L Engine

1	06504344	1				EV0			SCREW AND WASHER, Hex Head
2	06101985	5				EV0			SCREW AND WASHER, M10x1.50x45.00
3	06102047AA	6				EV0			SCREW, Hex Head, M8x1.25x50
4	55116906AA	1				EV0			COMPRESSOR, Air Conditioning
-5	53031709AA	1				EV0			BRACE, A/C Compressor



GRAND CHEROKEE (WJ)

SERIES	LINE	BODY	ENGINE	TRANSMISSION
H = Laredo	T = JEEP - 2WD	74 = SPORT UTILITY 4-DR	ERH = ENGINE - 4.0L POWER TECH I-6	DGK = TRANSMISSION - 4-SPD. AUTOMATIC, 42RE
P = Limited	J = JEEP - 4WD		EVA = ENGINE- 4.7L V8 MPI	DGQ = TRANSMISSION-5SPD AUTOMATIC 5-45RFE DGO = ALL AUTOMATIC TRANSMISSIONS

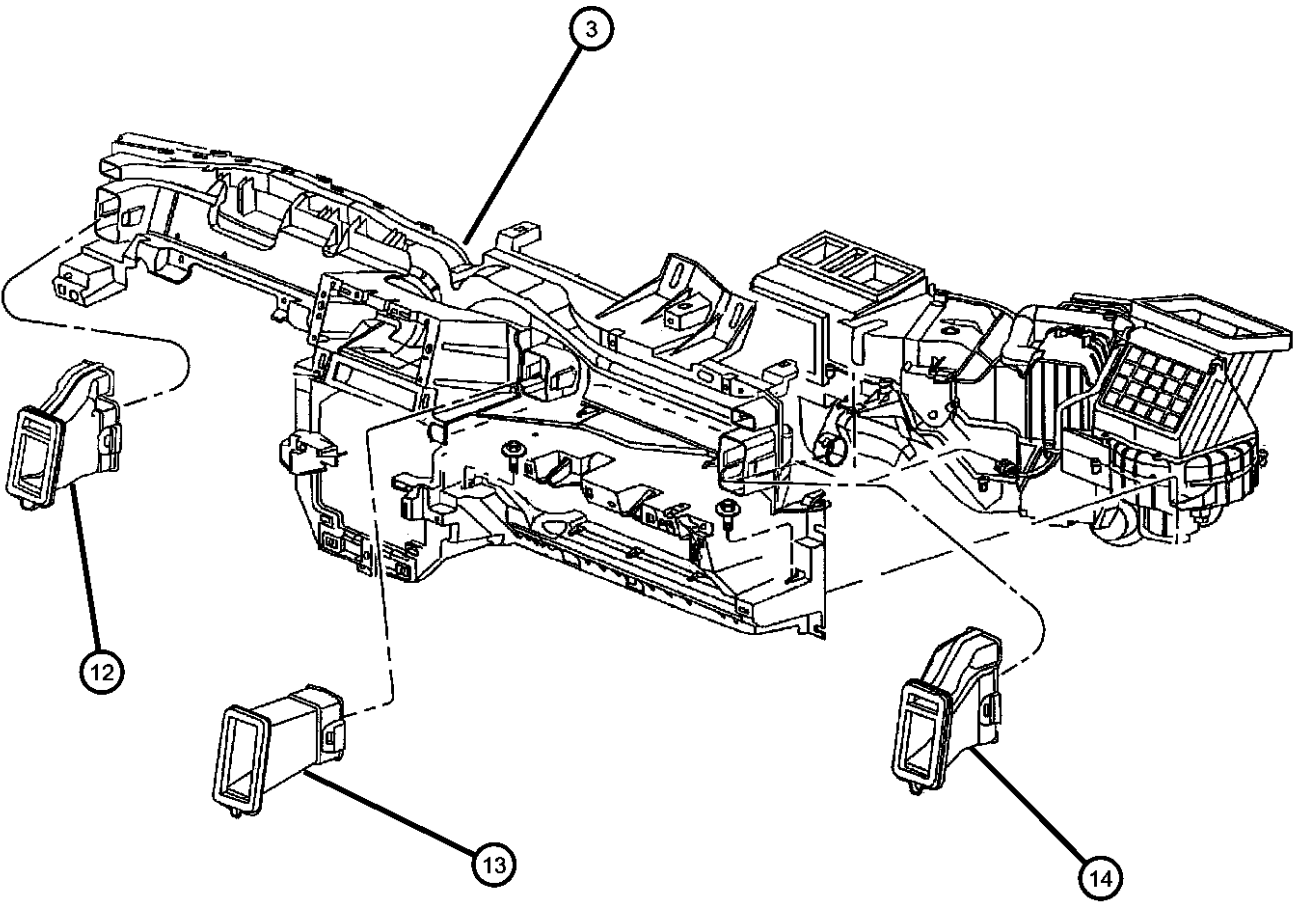
AR = use ase required - = Non illustrated part

2001 WJ

Air Ducts and Outlets

Figure 24-610

ITEM	PART NUMBER	QTY	LINE	SERIES	BODY	ENGINE	TRANS	TRIM	DESCRIPTION
-1	55116032AC	1							BRACKET, Instrument Panel, Steering Column Support
-2	06102141AA	5							SCREW, M6x1x25
3	55116407AC	1							DUCT, Instrument Panel, Structural
-4	06034319	2							CLIP, .453Wx.528LGx.017THK
-5	06034833	12							CLIP, Push, .164-7.5
-6	55116373AB	1							BRACKET, Instrument Panel, C/Channel Cover
-7	06101946	8							SCREW, Tapping
-8	55116390AB	1							BRACKET, Instrument Panel, Courtesy Lamp
-9	55116041	1							BRACKET, Instrument Panel, Center to Floor
-10	55116041	1							SCREW, Self Tapping, M6x1x15, (NOT SERVICED)
-11	55116014	1							DUCT, Defroster
12	55116287AB	1							DUCT, Instrument PanelExtension, Left
13	55116285AA	1							DUCT, Instrument Panel
14	55116286AB	1							DUCT, Instrument PanelExtension, Right



GRAND CHEROKEE (WJ)

SERIES	LINE	BODY	ENGINE	TRANSMISSION
H = Laredo	T = JEEP - 2WD	74 = SPORT UTILITY 4-DR	ERH = ENGINE - 4.0L POWER TECH I-6	DGK = TRANSMISSION - 4-SPD. AUTOMATIC, 42RE
P = Limited	J = JEEP - 4WD		EVA = ENGINE- 4.7L V8 MPI	DGQ = TRANSMISSION-5SPD AUTOMATIC 5-45RFE
				DGO = ALL AUTOMATIC TRANSMISSIONS

AR = use ase required - = Non illustrated part

Group - 25

Emission Systems

Group - 25 Emission Systems

Illustration Title

Group-Fig. No.

Emission Labels

Emission Labels, 4.0 (ERH), 4.7 (EVA).....Fig. 25 - 110

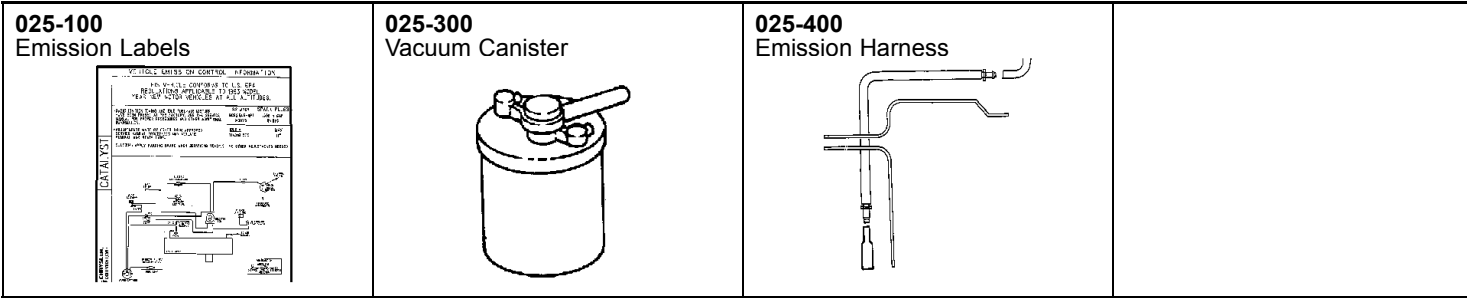
Vacuum Canister

Vacuum Canister, 4.0 (ERH), 4.7 (EVA).....Fig. 25 - 310

Emission Harness

Emission Control Vacuum Harness, 4.0 (ERH), 4.7 (EVA).....Fig. 25 - 410

Leak Detection Pump, 4.0 (ERH), 4.7 (EVA).....Fig. 25 - 430

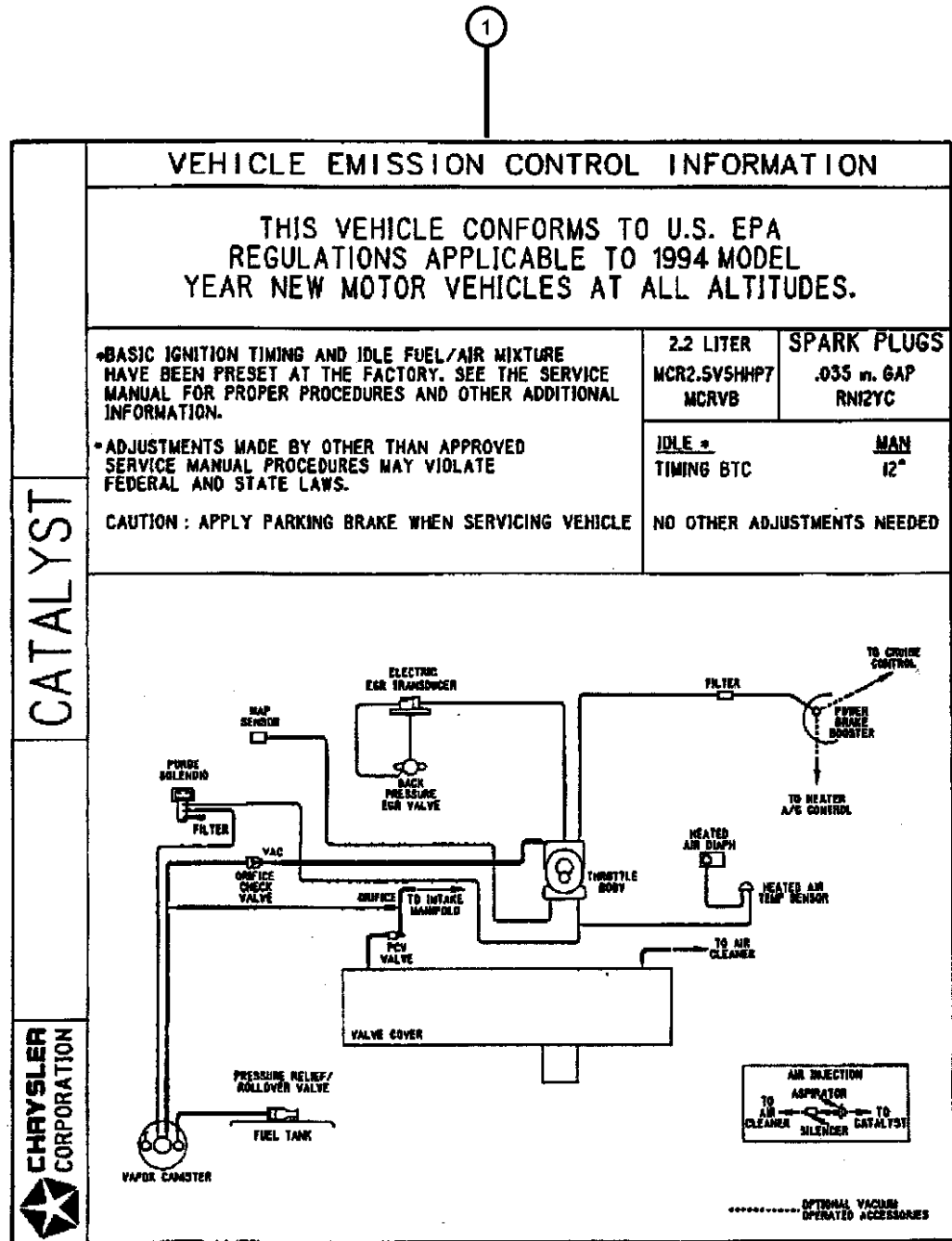


Emission Labels, 4.0 (ERH), 4.7 (EVA)
Figure 25-110

ITEM	PART NUMBER	QTY	LINE	SERIES	BODY	ENGINE	TRANS	TRIM	DESCRIPTION
------	-------------	-----	------	--------	------	--------	-------	------	-------------

Note; Sales Codes
[DHF] = Quadra-Trac,
[DHP] = Selet-Trac
[ER0] = All 4.0L Engines
[EV0] = All 4.7L Engines

ITEM	PART NUMBER	QTY	LINE	SERIES	BODY	ENGINE	TRANS	TRIM	DESCRIPTION
1									LABEL, Emission
	52109638AA	1	J			ER0			Federal and Mexico With [DHP]
		1	T			ER0			Federal
	52109639AA	1	J			ER0			Canada With [DHP]
	52109640AA	1	J			ER0			Federal and Mexico With [DHF]
	52109641AA	1	J			ER0			Canada With [DHF]
	52109643AA	1				ER0			California
	52109645AA	1	T			EV0			U.S. 50 States and Mexico
		1	J			EV0			U.S. 50 States and Mexico With [DHP]
	52109646AA	1	J			EV0			Canada With [DHP]
	52109647AA	1	J			EV0			U.S. 50 States and Mexico With [DHF]
	52109648AA	1	J			EV0			Canada With [DHF]



GRAND CHEROKEE (WJ)

SERIES	LINE	BODY	ENGINE	TRANSMISSION
H = Laredo	T = JEEP - 2WD	74 = SPORT UTILITY 4-DR	ERH = ENGINE - 4.0L POWER TECH I-6	DGK = TRANSMISSION - 4-SPD. AUTOMATIC, 42RE
P = Limited	J = JEEP - 4WD		EVA = ENGINE- 4.7L V8 MPI	DGQ = TRANSMISSION-5SPD AUTOMATIC 5-45RFE DGO = ALL AUTOMATIC TRANSMISSIONS

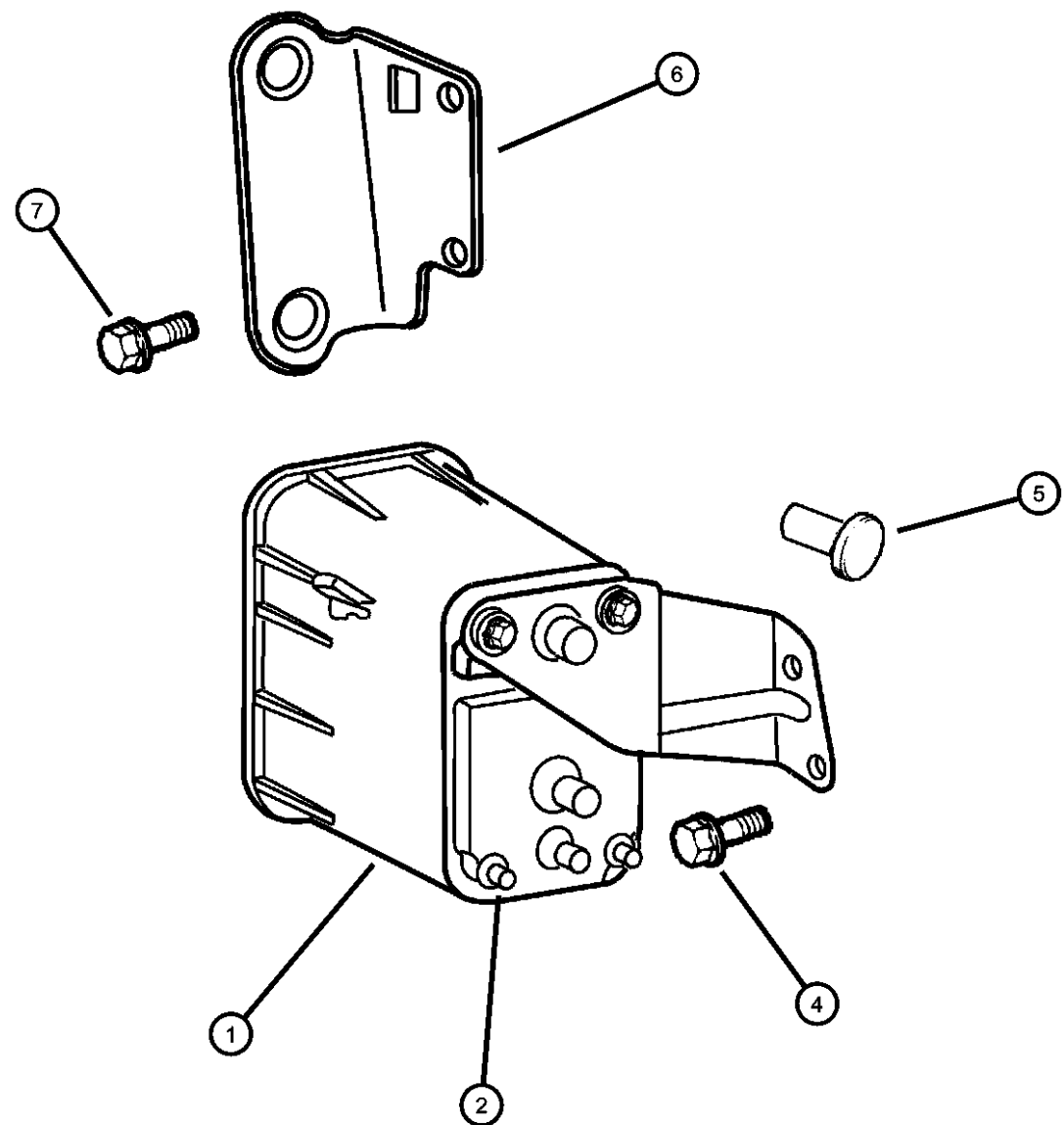
AR = use ase required - = Non illustrated part

Vacuum Canister, 4.0 (ERH), 4.7 (EVA)
Figure 25-310

ITEM	PART NUMBER	QTY	LINE	SERIES	BODY	ENGINE	TRANS	TRIM	DESCRIPTION
------	-------------	-----	------	--------	------	--------	-------	------	-------------

NOTE:
ER0 = All 4.0L Engines
EV0 = All 4.7L Engines

1									CANISTER, Vapor
	04854208AE	1				EV0			
		1				ER0			
2		1							STUD, M6X1.00X.250-14X30.00, (NOT SERVICED)
-3		1							NUT, M14, (NOT SERVICED)
4	06505815AA	2				ER0, EV0			SCREW
5	06505815AA	2							CAP, Vapor Canister, (NOT SERVICED)
6	04854159	1				ER0, EV0			BRACKET, Vapor Canister
7	06505815AA	2				ER0, EV0			SCREW



GRAND CHEROKEE (WJ)

SERIES LINE
H = Laredo T = JEEP - 2WD
P = Limited J = JEEP - 4WD

BODY
74 = SPORT UTILITY 4-DR

ENGINE
ERH = ENGINE - 4.0L
POWER TECH I-6
EVA = ENGINE- 4.7L V8 MPI

TRANSMISSION
DGK = TRANSMISSION - 4-SPD.
AUTOMATIC, 42RE
DGQ = TRANSMISSION-5SPD
AUTOMATIC 5-45RFE
DGO = ALL AUTOMATIC
TRANSMISSIONS

AR = use ase required - = Non illustrated part

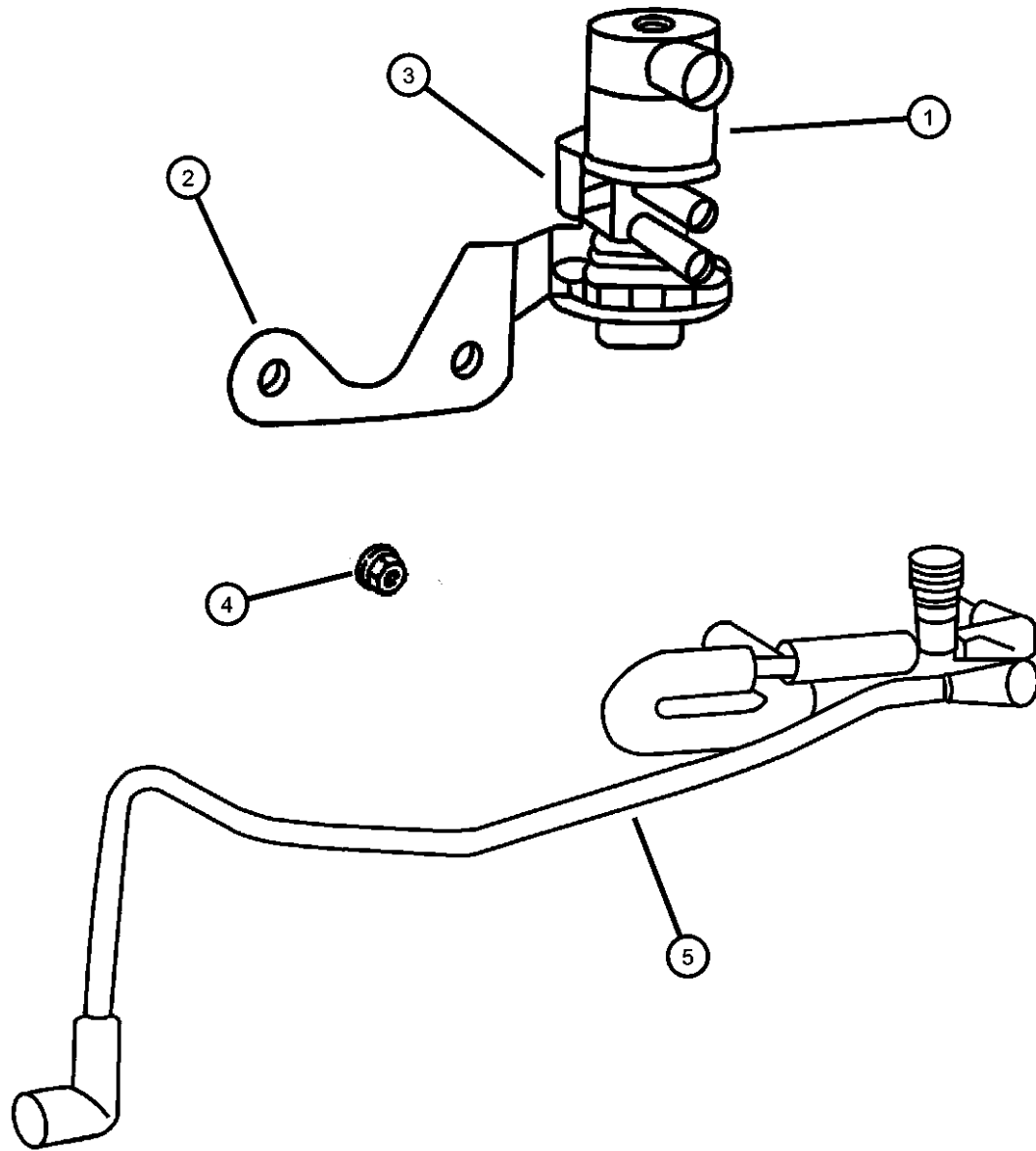
2001 WJ

**Emission Control Vacuum Harness, 4.0 (ERH), 4.7 (EVA)
Figure 25-410**

ITEM	PART NUMBER	QTY	LINE	SERIES	BODY	ENGINE	TRANS	TRIM	DESCRIPTION
------	-------------	-----	------	--------	------	--------	-------	------	-------------

NOTE:
ER0 = All 4.0L Engines
EV0 = All 4.7L Engines

1									SOLENOID, Duty Cycle Purge
	04669475AB	1				ER0			
		1				EV0			
2	04854127AB	1				ER0, EV0			BRACKET, Duty Cycle Purge Solenoid
3									BUSHING, Isolator
	53030987	1				ER0			
		1				EV0			
4	06100048	2				ER0, EV0			NUT, Hex, M6x1.00
5									HARNESS, Vapor Purge
	04854100	1				ER0			
	04854105	1				EV0			
-6	04591090	1				ER0			PORT, Emission Testing



GRAND CHEROKEE (WJ)

SERIES	LINE
H = Laredo	T = JEEP - 2WD
P = Limited	J = JEEP - 4WD

BODY
74 = SPORT UTILITY 4-DR

ENGINE
ERH = ENGINE - 4.0L POWER TECH I-6
EVA = ENGINE- 4.7L V8 MPI

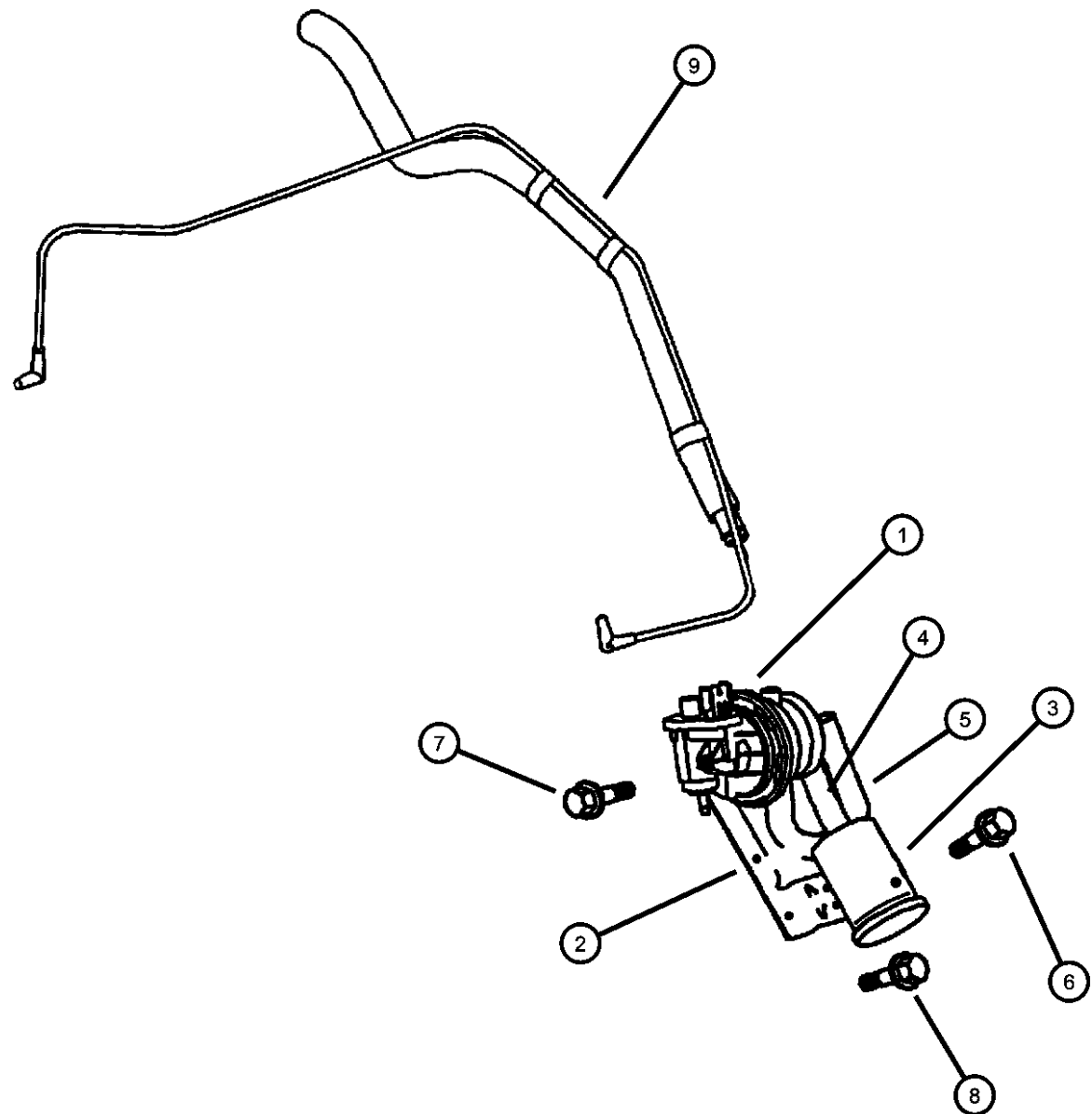
TRANSMISSION
DGK = TRANSMISSION - 4-SPD. AUTOMATIC, 42RE
DGQ = TRANSMISSION-5SPD AUTOMATIC 5-45RFE
DGO = ALL AUTOMATIC TRANSMISSIONS

AR = use ase required - = Non illustrated part

2001 WJ

**Leak Detection Pump, 4.0 (ERH), 4.7 (EVA)
Figure 25-430**

ITEM	PART NUMBER	QTY	LINE	SERIES	BODY	ENGINE	TRANS	TRIM	DESCRIPTION
NOTE: ER0 = All 4.0L Engines EV0 = All 4.7L Engines									
1									PUMP, Leak Detection
	04891414AC	1				ER0			
		1				EV0			
2									BRACKET, Leak Detection Pump
	04854128AB	1				ER0			
		1				EV0			
3									FILTER, Fuel Vapor Vent
	04612901	1				ER0			
		1				EV0			
4									HOSE, Leak Detection Pump
	53013004AA	1				ER0			Pump To Filter
		1				EV0			Pump To Filter
5									HOSE, Leak Detection Pump to
	53013168AA	1				ER0			Pump To Canister
		1				EV0			Pump To Canister
6									SCREW, Hex Flange Head,
		1							M4.8x1.59x15.74, (NOT
									SERVICED),
7									SCREW, Tapping, .19-16x.375
	06035482	3				ER0			
		3				EV0			
8									SCREW, Hex Flange Head,
		3							M4.8x1.59x15.74, (NOT
									SERVICED)
9									HARNES, Leak Detection Pump
	04854120	1				EV0			
	53030917	1				ER0			
-10	04669865	1				ER0, EV0			VALVE, Vent



GRAND CHEROKEE (WJ)

SERIES	LINE	BODY	ENGINE	TRANSMISSION
H = Laredo	T = JEEP - 2WD	74 = SPORT UTILITY 4-DR	ERH = ENGINE - 4.0L POWER TECH I-6	DGK = TRANSMISSION - 4-SPD. AUTOMATIC, 42RE
P = Limited	J = JEEP - 4WD		EVA = ENGINE- 4.7L V8 MPI	DGQ = TRANSMISSION-5SPD AUTOMATIC 5-45RFE DGO = ALL AUTOMATIC TRANSMISSIONS

AR = use ase required - = Non illustrated part

Group - DWJ

Doors and Related Parts

Group - DWJ Doors and Related Parts

Illustration Title

Group-Fig. No.

Front Door

Door, Front Shell and Hinges.....	Fig. DWJ - 110
Door, Front Glass and Regulators.....	Fig. DWJ - 120
Door, Front Lock and Controls.....	Fig. DWJ - 130

Rear Door

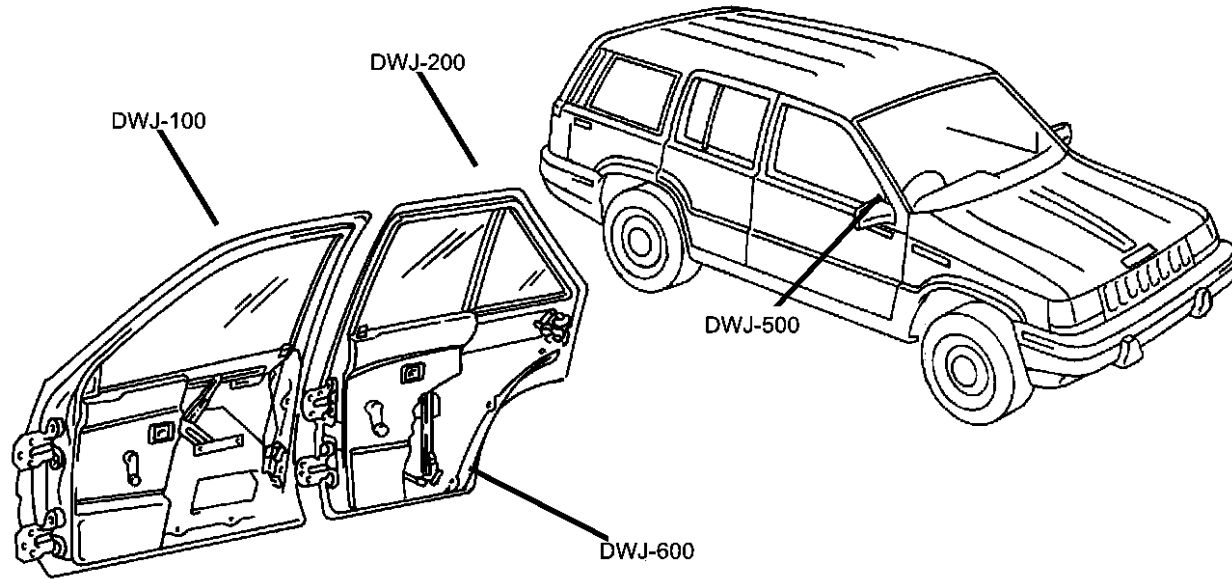
Door, Rear Shell and Hinges.....	Fig. DWJ - 210
Door, Rear Glass and Regulators.....	Fig. DWJ - 220
Door, Rear Lock and Controls.....	Fig. DWJ - 230

Exterior Mirror

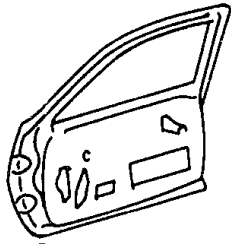
Mirrors, Exterior.....	Fig. DWJ - 510
------------------------	----------------

Weatherstrips and Seals

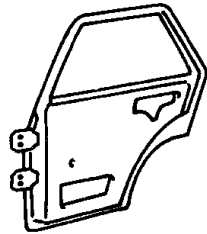
Door, Front Weatherstrips and Seals.....	Fig. DWJ - 610
Door, Rear Weatherstrips and Seals.....	Fig. DWJ - 620
Door, Rear Tail Gate Weatherstrips and Seals.....	Fig. DWJ - 630



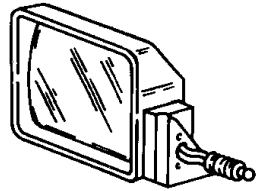
DWJ-100
Front Door



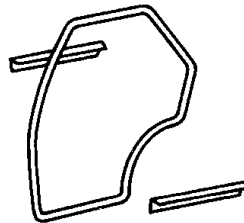
DWJ-200
Rear Door



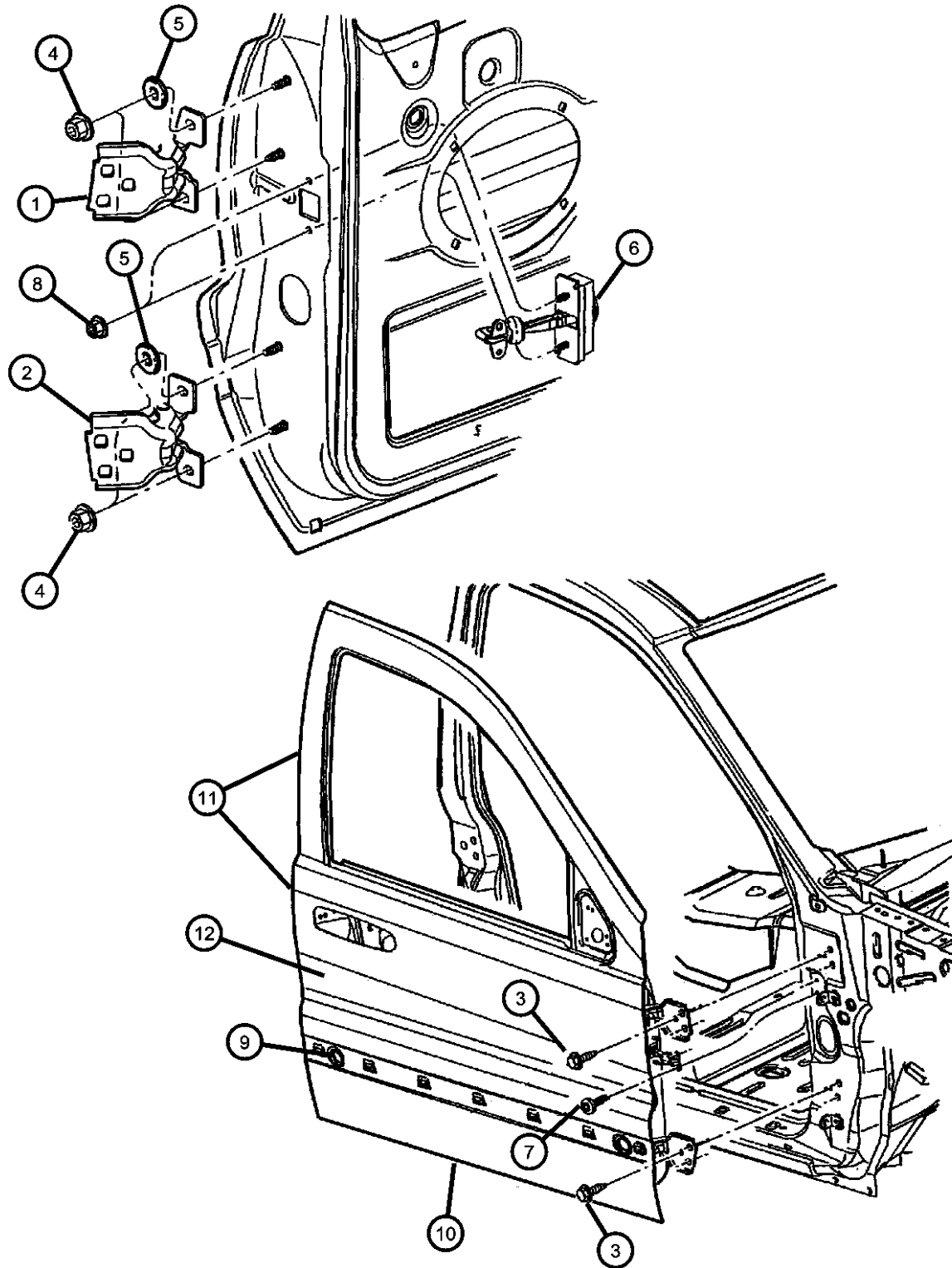
DWJ-500
Exterior Mirror



DWJ-600
Weatherstrips and Seals



Door, Front Shell and Hinges
Figure DWJ-110



ITEM	PART NUMBER	QTY	LINE	SERIES	BODY	ENGINE	TRANS	TRIM	DESCRIPTION
1	55136480AC	2							HINGE, Door Half, Upper Right
	55136481AC	2							Left
2	55136480AC	2							HINGE, Door Half, Lower Left
	55136481AC	2							Right
3	06503328	14							SCREW, Hex Head, M8x1.25x30
4	06101809	1							NUT AND WASHER, Hex, M8x1.25
5	55136971AB	4							WASHER, Flat
6	55135590AC	1							CHECK, Front Door Right
	55135591AC	1							Left
7	55135591AC	1							SCREW, Torx Round Head, M6-1.0x20.0, (NOT SERVICED)
8	06503504	2							NUT AND WASHER, Hex, M6x1
9	55257380AA	12							PLUG
10	02860332	4							PLUG, Anti-Rattle
11	55135920AC	1							DOOR, Front Right
	55135921AC	1							Left
12	55135922AB	1							PANEL, Front Door Outer Repair Right
	55135923AB	1							Left
-13	06505201AA	2							NUT, M5x.080x26.41

GRAND CHEROKEE (WJ)

SERIES LINE
H = Laredo T = JEEP - 2WD
P = Limited J = JEEP - 4WD

BODY
74 = SPORT UTILITY 4-DR

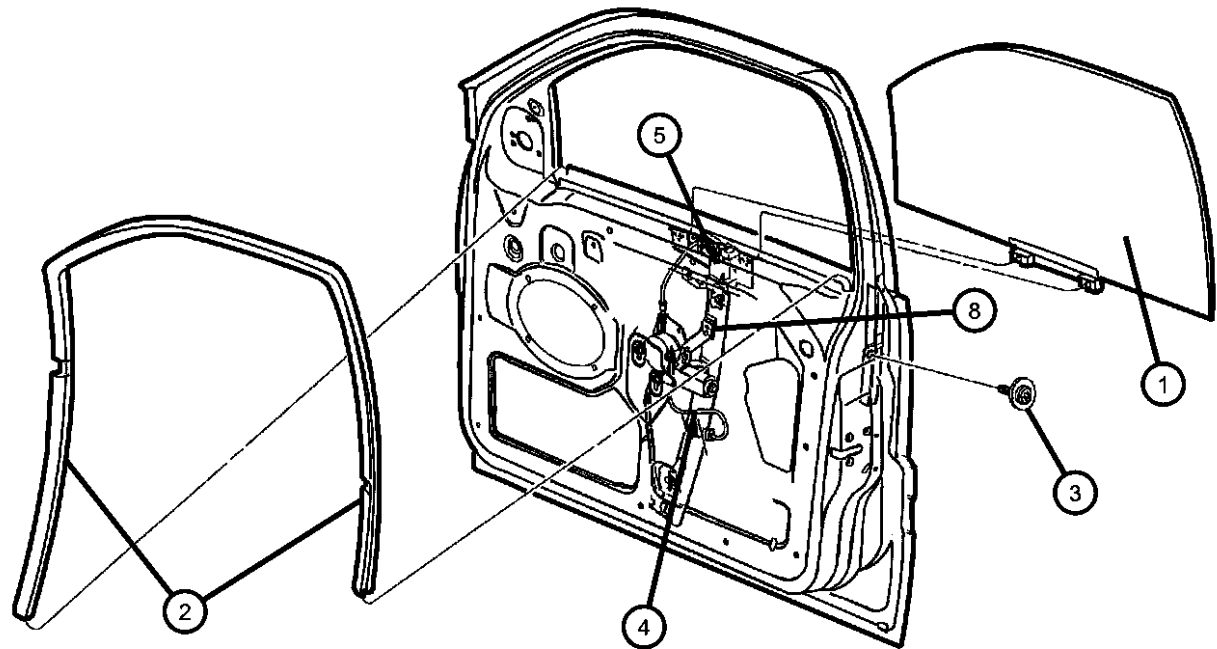
ENGINE
ERH = ENGINE - 4.0L
POWER TECH I-6
EVA = ENGINE- 4.7L V8 MPI

TRANSMISSION
DGK = TRANSMISSION - 4-SPD.
AUTOMATIC, 42RE
DGQ = TRANSMISSION-5SPD
AUTOMATIC 5-45RFE
DGO = ALL AUTOMATIC
TRANSMISSIONS

AR = use ase required - = Non illustrated part

Door, Front Glass and Regulators
Figure DWJ-120

ITEM	PART NUMBER	QTY	LINE	SERIES	BODY	ENGINE	TRANS	TRIM	DESCRIPTION
1									GLASS, Front Door
	55136002AC	1							Right
	55136003AC	1							Left
2									SEAL, Front Door Glass
	55136024AD	1							Right
	55136025AD	1							Left
3	06504987AA	2							SCREW AND WASHER, Tapping, M6-1.0x20.0
4									REGULATOR, Front Door Window
	55363286AA	1							Right
	55363287AA	1							Left
5	55363287AA	1							SCREW, M6X1.00X16.00, (NOT SERVICED)
-6									CHANNEL, Front Door Glass Lower
	55136016	1							Front
	55136017	1							Rear
-7	05086563AA	1							CLIP, Regulator
8	55135934AB	1							REINFORCEMENT, Armrest Bracket Front Door



GRAND CHEROKEE (WJ)

SERIES LINE
H = Laredo T = JEEP - 2WD
P = Limited J = JEEP - 4WD

BODY
74 = SPORT UTILITY 4-DR

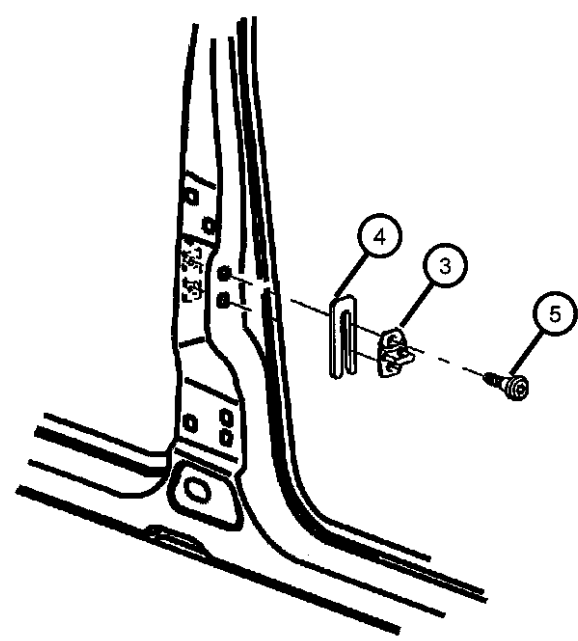
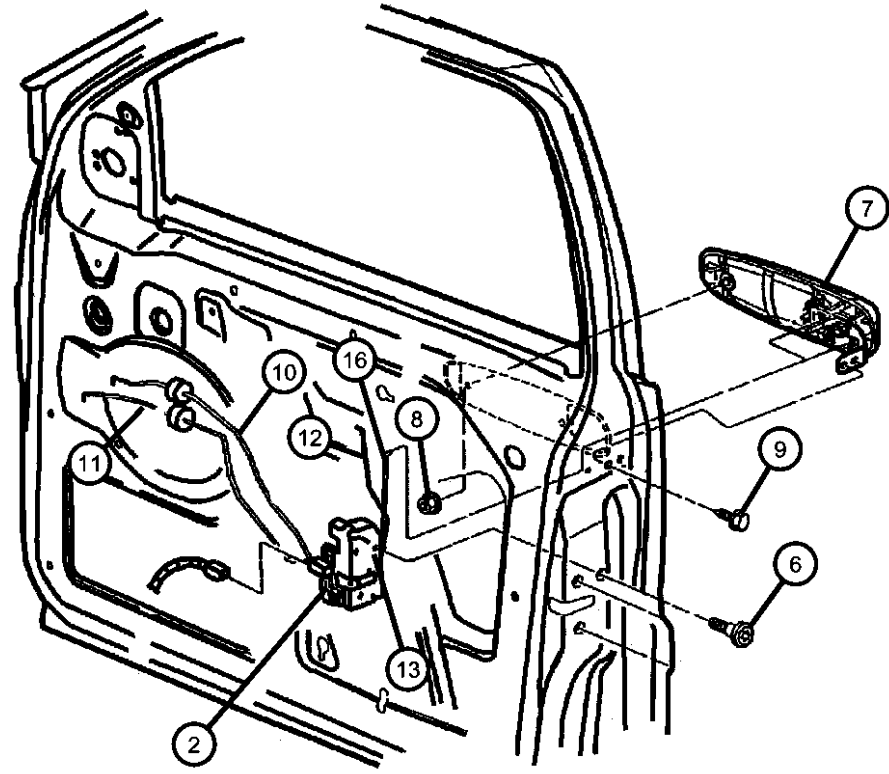
ENGINE
ERH = ENGINE - 4.0L
POWER TECH I-6
EVA = ENGINE- 4.7L V8 MPI

TRANSMISSION
DGK = TRANSMISSION - 4-SPD.
AUTOMATIC, 42RE
DGQ = TRANSMISSION-5SPD
AUTOMATIC 5-45RFE
DGO = ALL AUTOMATIC
TRANSMISSIONS

AR = use ase required - = Non illustrated part

2001 WJ

Door, Front Lock and Controls
Figure DWJ-130



ITEM	PART NUMBER	QTY	LINE	SERIES	BODY	ENGINE	TRANS	TRIM	DESCRIPTION
-1									HANDLE, Door Interior
	5FX731AZAC	1		H					Camel, Left
	5FX731L5AC	1		H					Taupe, Left
	5FX721AZAC	1		H					Camel, Right
	5FX721L5AC	1		H					Taupe, Right
	5FX741L5AC	1		P					Camel, Right
	5FX741AZAC	1		P					Chrome, Right
	5FX751L5AC	1		P					Camel, Left
	5FX741T5AC	1		P					Taupe, Right
	5FX751AZAC	1		P					Chrome, Left
	5FX751T5AC	1		P					Taupe, Left
2									LATCH, Front Door
	55135606AB	1							w/o Cylinder Lock, Right
	55136347AB	1							w/Cylinder Lock, Left
3	04780607AA	2							STRIKER, Door
4	04520289	AR							SPACER, Door Latch Striker
5	06504573	4							SCREW, Oval Head, SCREW
6	06033876	6							SCREW, Tapping, M6.3x1.8x38.1
7									HANDLE, Exterior Door
	0QR38DX8AB	1		P					Limited [X8] , Without Cylinder, Right
	0QR38PR4AB	1		P					Limited [R4] , Without Cylinder, Right
	0QR38SW1AB	1		P					Limited, [W1] , Without Cylinder, Right
	0QR38WBTAB	1		P					Limited, [BT] , Without Cylinder, Right
	0QR38WTHAB	1		P					Limited, [TH] , Without Cylinder, Right
	0QR38WU-LAB	1		P					Limited, [UL] , Without Cylinder, Right
	0QR38XBQAB	1		P					Limited, [BQ] , Without Cylinder, Right
	0QR38XGRAB	1		P					Limited, [GR] , Without Cylinder, Right
	0QR38XS5AB	1		P					Limited, [S5], Without Cylinder, Right
	0QR38YUBAB	1		P					Limited [UB] , Without Cylinder, Right
	5GG27DX8AA	1		P					Limited [X8], With Cylinder, Left

GRAND CHEROKEE (WJ)

SERIES LINE
H = Laredo T = JEEP - 2WD
P = Limited J = JEEP - 4WD

BODY
74 = SPORT UTILITY 4-DR

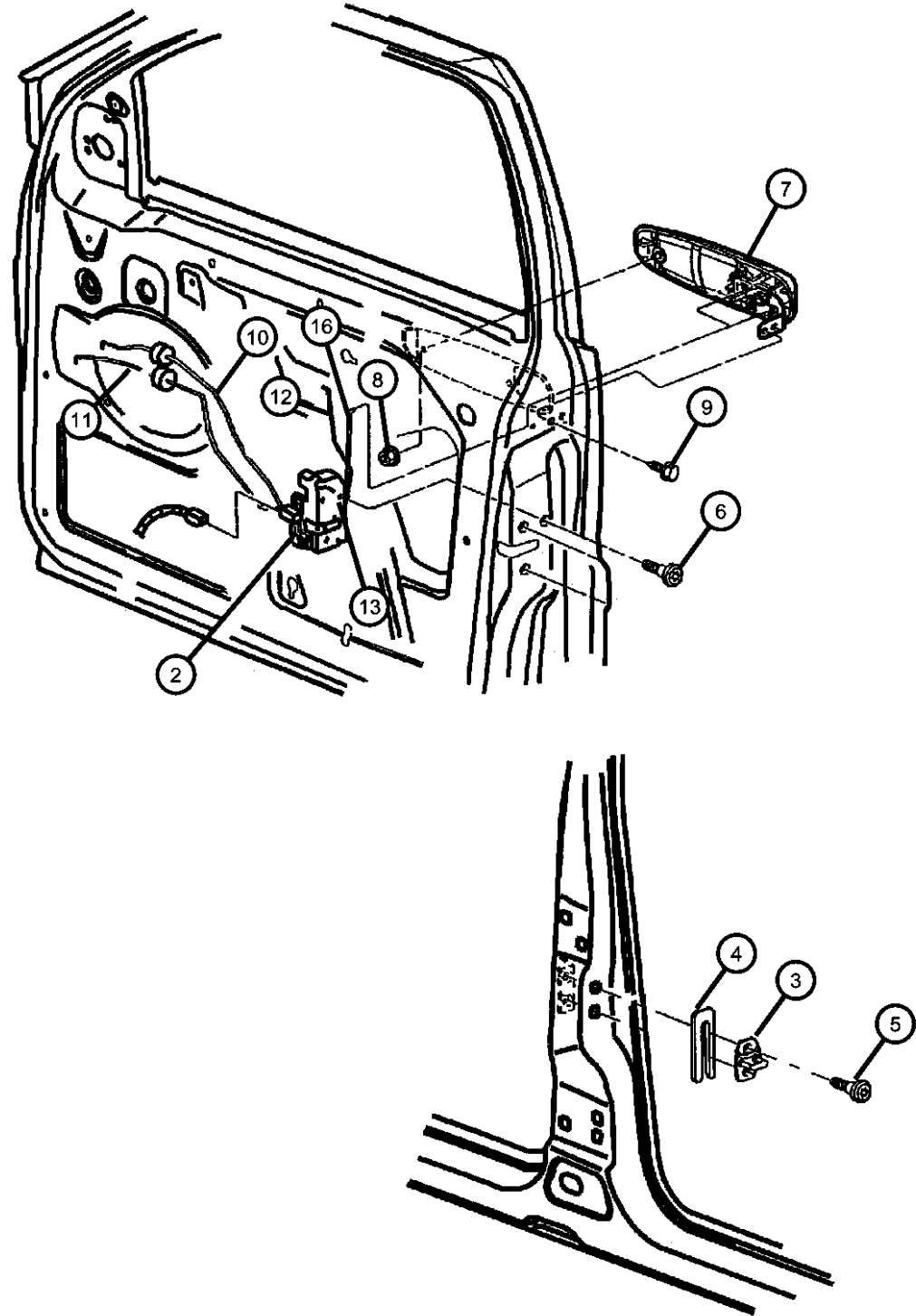
ENGINE
ERH = ENGINE - 4.0L
POWER TECH I-6
EVA = ENGINE- 4.7L V8 MPI

TRANSMISSION
DGK = TRANSMISSION - 4-SPD.
AUTOMATIC, 42RE
DGO = TRANSMISSION-5SPD
AUTOMATIC 5-45RFE
DGO = ALL AUTOMATIC
TRANSMISSIONS

AR = use ase required - = Non illustrated part

2001 WJ

Door, Front Lock and Controls
Figure DWJ-130



ITEM	PART NUMBER	QTY	LINE	SERIES	BODY	ENGINE	TRANS	TRIM	DESCRIPTION
	5GG27PR4AA	1		P					Limited [R4], With Cylinder, Left
	5GG27SW1AA	1		P					Limited [W1], With Cylinder, Left
	5GG27WB-TAA	1		P					Limited [BT], With Cylinder, Left
	5GG27WTHAA	1		P					Limited [TH], With Cylinder, Left
	5GG27WU-LAA	1		P					Limited [UL], With Cylinder, Left
	5GG27XBQAA	1		P					Limited, [BQ] , With Cylinder, Left
	5GG27XGRAA	1		P					Limited [GR], With Cylinder, Left
	5GG27XS5AA	1		P					Limited [S5], With Cylinder, Left
	5GG27YUBAA	1		P					Woodland Brown, Limited, [UB] , With Cylinder, Left
	55135636AB	1		H					Black, Laredo, Without Cylinder, Right
	55136351AB	1		H					Black, Laredo, With Cylinder, Left
8	06503226	4							NUT, Hex Flange, M5x.8
9	06505365AA	2							SCREW
10									ROD, Inside Handle to Latch
	05014378AA	1							Right
	05014379AA	1							Left
11									ROD, Inside Lock to Latch
	05014381AA	1							Left
	05014380AA	1							Right
12									LINK, Exterior Door Handle
	05014372AA	1							Right
	05014373AA	1							Left
13									COVER, Latch-Anti Theft
	05014395AA	1							Right
	05014396AA	1							Left
-14									CLIP, Latch
	05014397AA	1							Purple, Right
	05014398AA	1							Orange, Left
-15	04658444	1							CLIP, Latch, Orange, Key Cylinder To Latch, Right
16	05014387AA	1							LINK, Key Cylinder To LatchLeft

GRAND CHEROKEE (WJ)

SERIES LINE
H = Laredo T = JEEP - 2WD
P = Limited J = JEEP - 4WD

BODY
74 = SPORT UTILITY 4-DR

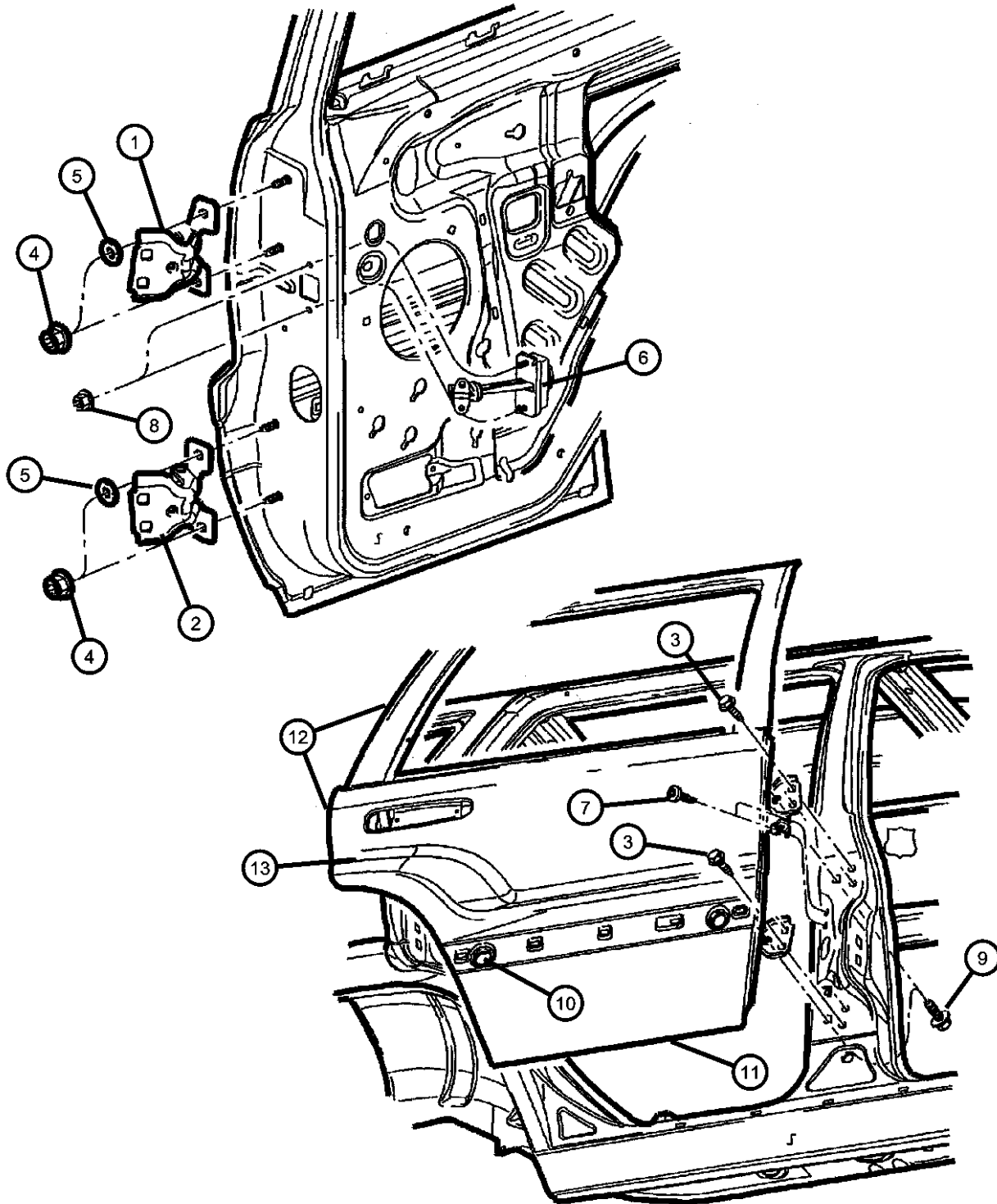
ENGINE
ERH = ENGINE - 4.0L POWER TECH I-6
EVA = ENGINE- 4.7L V8 MPI

TRANSMISSION
DGK = TRANSMISSION - 4-SPD. AUTOMATIC, 42RE
DGQ = TRANSMISSION-5SPD AUTOMATIC 5-45RFE
DGO = ALL AUTOMATIC TRANSMISSIONS

AR = use ase required - = Non illustrated part

2001 WJ

Door, Rear Shell and Hinges
Figure DWJ-210



ITEM	PART NUMBER	QTY	LINE	SERIES	BODY	ENGINE	TRANS	TRIM	DESCRIPTION
1	55135574AC	2							HINGE, Door Half, Upper Right
	55135575AC	2							Left
2	55135574AC	2							HINGE, Door Half, Lower Left
	55135575AC	2							Right
3	06503328	14							SCREW, Hex Head, M8x1.25x30
4	06101809	1							NUT AND WASHER, Hex, M8x1.25
5	55136971AB	4							WASHER, Flat
6									CHECK, Rear Door Right
	55135658AB	1							Left
	55135659AB	1							SCREW, Torx Head, M6x1.00x16.00, (NOT SERVICED)
7	55135659AB	1							NUT AND WASHER, Hex, M6x1
8	06503504	2							SCREW AND WASHER, Hex Head, M8x1.25x30
9	06503538	4							PLUG
10	55257380AA	12							PLUG, Anti-Rattle
11	02860332	4							DOOR, Rear Right
	55136700AD	1							Left
	55136701AD	1							PANEL, Rear Door Right
	55136702AB	1							Left
	55136703AB	1							NUT, Rivet, M5x.080x26.41, (NOT SERVICED)
-14	55136703AB	1							

GRAND CHEROKEE (WJ)

SERIES LINE
H = Laredo T = JEEP - 2WD
P = Limited J = JEEP - 4WD

BODY
74 = SPORT UTILITY 4-DR

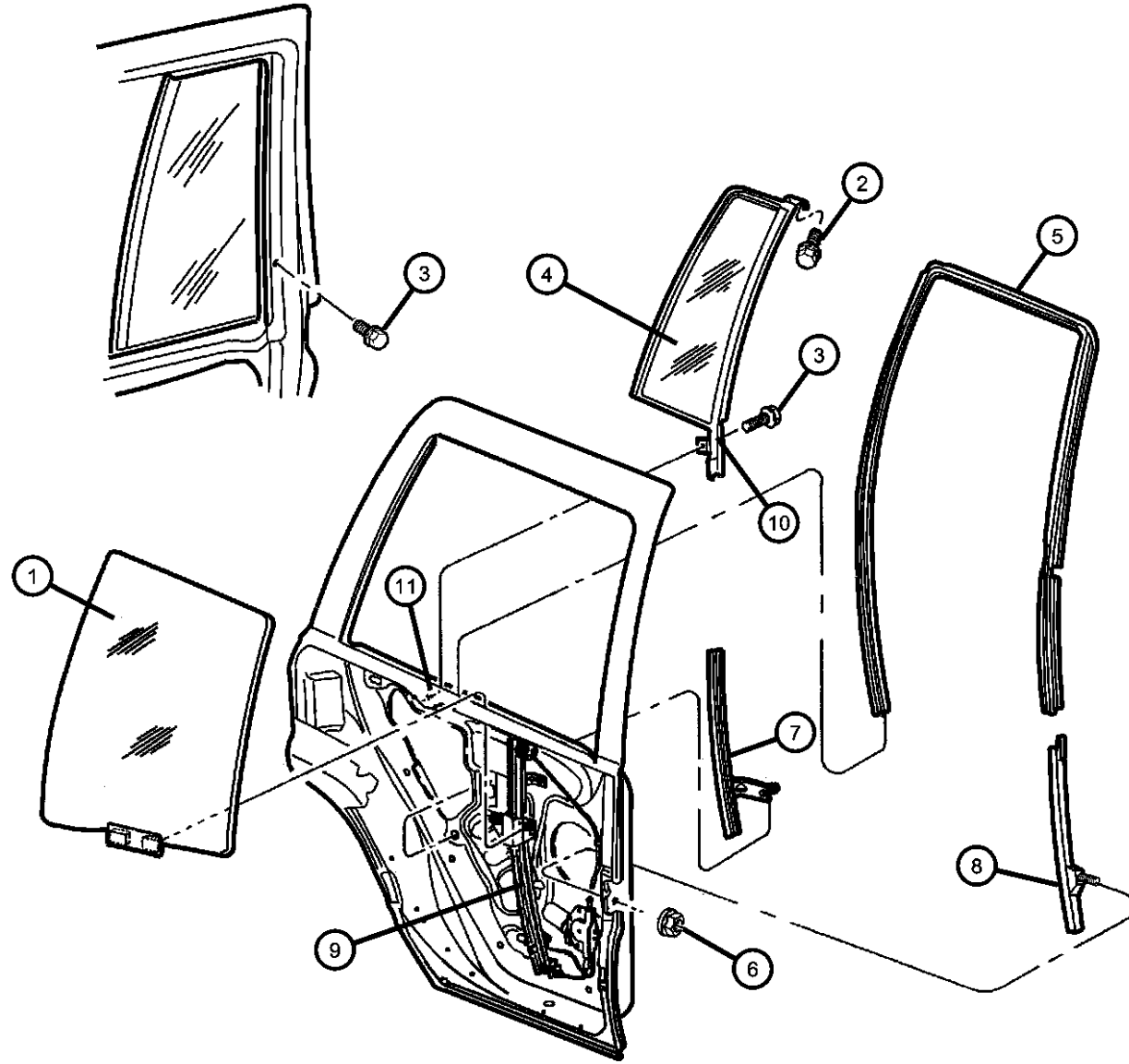
ENGINE
ERH = ENGINE - 4.0L
POWER TECH I-6
EVA = ENGINE- 4.7L V8 MPI

TRANSMISSION
DGK = TRANSMISSION - 4-SPD.
AUTOMATIC, 42RE
DGQ = TRANSMISSION-5SPD
AUTOMATIC 5-45RFE
DGO = ALL AUTOMATIC
TRANSMISSIONS

AR = use ase required - = Non illustrated part

2001 WJ

Door, Rear Glass and Regulators
Figure DWJ-220



ITEM	PART NUMBER	QTY	LINE	SERIES	BODY	ENGINE	TRANS	TRIM	DESCRIPTION
1									GLASS, Rear Door
	55136036	1							Tinted, Right
	55136037	1							Tinted, Left
	55136064	1							Sunscreen, Right
	55136065	1							Sunscreen, Left
2	55136065	1							SCREW, Tapping, .164-15x.75, (NOT SERVICED),
3	55136065	1							SCREW, Hex Flange Head, [.164-18x.75], (NOT SERVICED)
4									GLASS PACKAGE, Rear Door Qtr
	05016912AC	1							Tinted, Right
	05016913AC	1							, Left
	05016914AB	1							Sunscreen, Right
	05016915AB	1							Sunscreen, Left
5									SEAL, Rear Door Glass
	55136080AE	1							Right
	55136081AE	1							Left
6	06503504	2							NUT AND WASHER, Hex, M6x1
7									CHANNEL, Rear Door Glass Lower
	55136074	1							Right
	55136075	1							Left
8									CHANNEL, Rear Door Glass Lower
	55136716	1							Right
	55136717	1							Left
9									REGULATOR, Rear Door Window
	55363284AA	1							Right
	55363285AA	1							Left
10	55137006AA	1							CLIP
11	06505223AA	2							NUT, Spring, M6
-12	05086563AA	1							CLIP, Regulator

GRAND CHEROKEE (WJ)

SERIES LINE
H = Laredo T = JEEP - 2WD
P = Limited J = JEEP - 4WD

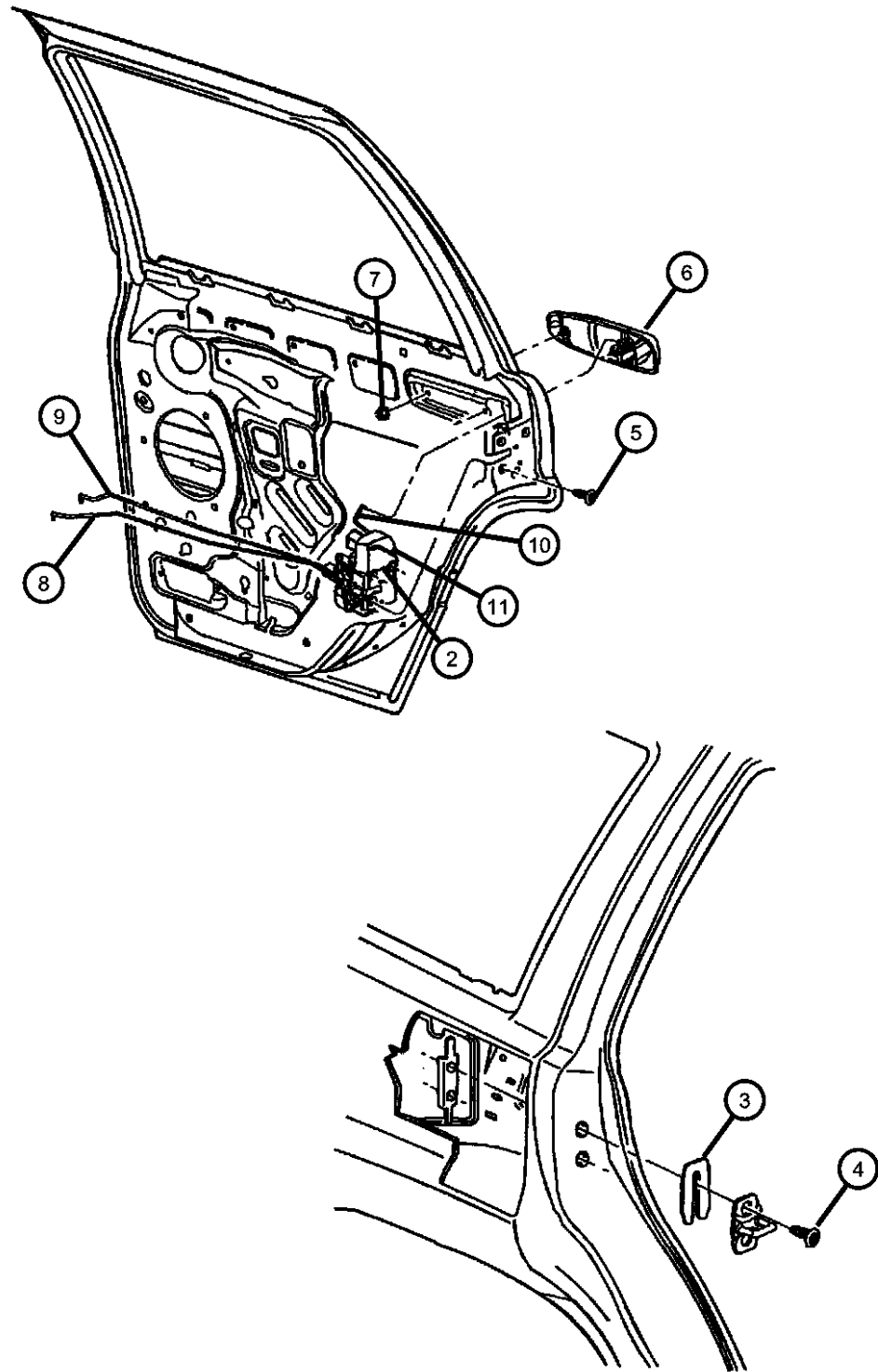
BODY
74 = SPORT UTILITY 4-DR

ENGINE
ERH = ENGINE - 4.0L
POWER TECH I-6
EVA = ENGINE- 4.7L V8 MPI

TRANSMISSION
DGK = TRANSMISSION - 4-SPD.
AUTOMATIC, 42RE
DGQ = TRANSMISSION-5SPD
AUTOMATIC 5-45RFE
DGO = ALL AUTOMATIC
TRANSMISSIONS

AR = use ase required - = Non illustrated part

Door, Rear Lock and Controls
Figure DWJ-230



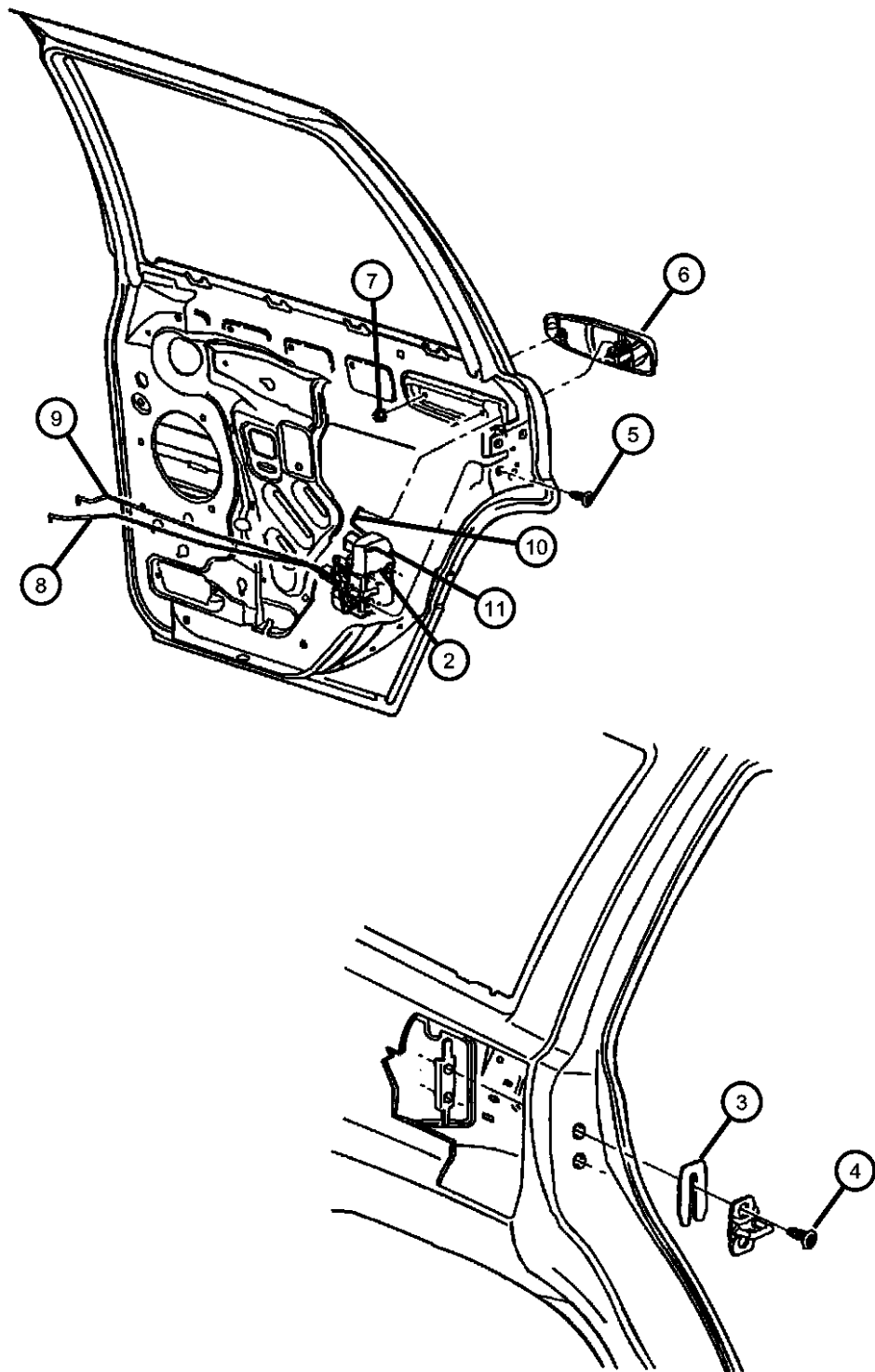
ITEM	PART NUMBER	QTY	LINE	SERIES	BODY	ENGINE	TRANS	TRIM	DESCRIPTION
-1									HANDLE, Door Interior
	5FX721AZAC	1		H					Chrome, Right
	5FX721L5AC	1		H					Taupe, Right
	5FX721T5AC	1		H					Sandstone, Right
	5FX731AZAC	1		H					Chrome, Left
	5FX731L5AC	1		H					Taupe, Left
	5FX731T5AC	1		H					Sandstone, Left
	5FX741AZAC	1		P					Chrome, Right
	5FX741L5AC	1		P					Taupe, Right
	5FX741T5AC	1		P					Sandstone, Right
	5FX751AZAC	1		P					Chrome, Left
	5FX751L5AC	1		P					Taupe, Left
	5FX751T5AC	1		P					Sandstone, Left
2									LATCH, Rear Door
	55135620AB	1							Right
	55135621AB	1							Left
3	04520289	AR							SPACER, Door Latch Striker
4	06504573	4							SCREW, Oval Head, SCREW
5	06504573	4							SCREW, Tapping, M6.3x1.8x38.1, (NOT SERVICED)
6									HANDLE, Exterior Door
	55135838AB	1		H					Right
	55135839AB	1		H					Left
	5FW46DX8AB	1		P					[PX8], Right
	5FW46PR4AB	1		P					[PR4], Right
	5FW46SW1AB	1		P					[PW1], Right
	5FW46WB TAB	1		P					[PBT], Right
	5FW46WE-LAB	1		P					[PEL], Right
	5FW46WTHAB	1		P					[PTH], Right
	5FW46WU-LAB	1		P					[PUL], Right
	5FW46XBQAB	1		P					[PBQ], Right
	5FW46XGRAB	1		P					[PGR], Right
	5FW46XS5AB	1		P					[PS5], Right
	5FW46YUBAB	1		P					[PUB], Right

GRAND CHEROKEE (WJ)

SERIES	LINE	BODY	ENGINE	TRANSMISSION
H = Laredo	T = JEEP - 2WD	74 = SPORT UTILITY 4-DR	ERH = ENGINE - 4.0L POWER TECH I-6	DGK = TRANSMISSION - 4-SPD. AUTOMATIC, 42RE
P = Limited	J = JEEP - 4WD		EVA = ENGINE- 4.7L V8 MPI	DGQ = TRANSMISSION-5SPD AUTOMATIC 5-45RFE DGO = ALL AUTOMATIC TRANSMISSIONS

AR = use ase required - = Non illustrated part

Door, Rear Lock and Controls
Figure DWJ-230



ITEM	PART NUMBER	QTY	LINE	SERIES	BODY	ENGINE	TRANS	TRIM	DESCRIPTION
	5FW47DX8AB	1		P					[PX8], Left
	5FW47PR4AB	1		P					[PR4], Left
	5FW47SW1AB	1		P					[PW1], Left
	5FW47WBTAB	1		P					[PBT], Left
	5FW47WE-LAB	1		P					[PEL], Left
	5FW47WTHAB	1		P					[PTH], Left
	5FW47WU-LAB	1		P					[PUL], Left
	5FW47XBQAB	1		P					[PBQ], Left
	5FW47XGRAB	1		P					[PGR], Left
	5FW47XS5AB	1		P					[PS5], Left
	5FW47YUBAB	1		P					[PUB], Left
7	06503226	4							NUT, Hex Flange, M5x.8
8									ROD, Inside Handle to Latch
	05014384AA	1							Right
	05014385AA	1							Left
9									ROD, Inside Lock to Latch
	05014382AA	1							Right
	05014383AA	1							Left
10									LINK, Exterior Door Handle
	05014376AA	1							Right
	05014377AA	1							Left
11									COVER, Latch-Anti Theft
	05014395AA	1							Right
	05014396AA	1							Left
-12	05014397AA	1							CLIP, Latch, Purple
-13	05014398AA	1							CLIP, Latch, Orange
-14	05014398AA	1							CLIP, Latch Link, (NOT SERVICED)
-15	05014398AA	1							CLIP, Latch Link, (NOT SERVICED)

GRAND CHEROKEE (WJ)

SERIES LINE
H = Laredo T = JEEP - 2WD
P = Limited J = JEEP - 4WD

BODY
74 = SPORT UTILITY 4-DR

ENGINE
ERH = ENGINE - 4.0L
POWER TECH I-6
EVA = ENGINE- 4.7L V8 MPI

TRANSMISSION
DGK = TRANSMISSION - 4-SPD.
AUTOMATIC, 42RE
DGQ = TRANSMISSION-5SPD
AUTOMATIC 5-45RFE
DGO = ALL AUTOMATIC
TRANSMISSIONS

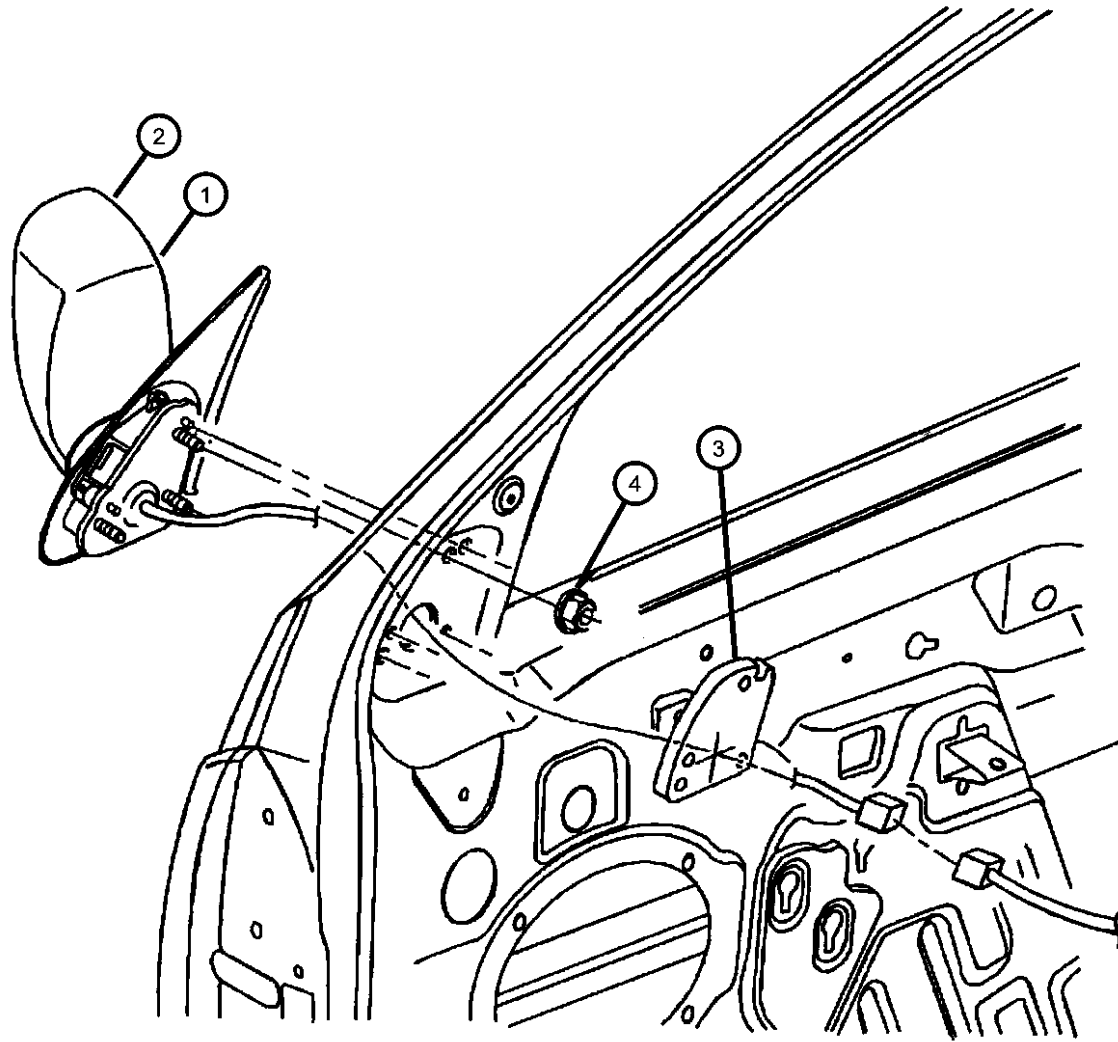
AR = use ase required - = Non illustrated part

2001 WJ

Mirrors, Exterior
Figure DWJ-510

ITEM	PART NUMBER	QTY	LINE	SERIES	BODY	ENGINE	TRANS	TRIM	DESCRIPTION
------	-------------	-----	------	--------	------	--------	-------	------	-------------

Note: Sales Code GTF = Power Fold-Away
 Note: Sales Code GTN = Power Fold-Away
 Note: Sales Code GTM = Power Fold-Away Heated
 Note: Sales Code GTR = Power Fold-Away
 Note: Sales Code GTW = Power Fold-Away Black
 Note: Sales Code GT3 = Power Fold-Away Hea



1									MIRROR, Outside, Rearview, Electric, Heated
	55155230AB	1							[GT3], Right
	55155231AB	1							[GT3], Left
	55155232AC	1							[GTM], Right
	55155233AC	1							[GTM], Left
2									MIRROR, Outside Rearview Electric Foldaway
	55155446AB	1							[GTN], Right
	55155447AB	1							[GTN], Left
3									SEAL, Mirror
	55136274AB	1							Right
	55136275AB	1							Left
4	J4200408	6							NUT AND WASHER, Hex Nut-Coned Washer, M5 x 0.80
-5									GLASS, Mirror Replacement
	05013636AA	1							[GTN], Right
	05013637AA	1							[GTN], Left
	05017072AA	1							[GT3], Right
		1							[GTM], Right
	05017073AA	1							[GTM], Left
	05017075AA	1							[GT3], Left

GRAND CHEROKEE (WJ)

SERIES LINE
 H = Laredo T = JEEP - 2WD
 P = Limited J = JEEP - 4WD

BODY
 74 = SPORT UTILITY 4-DR

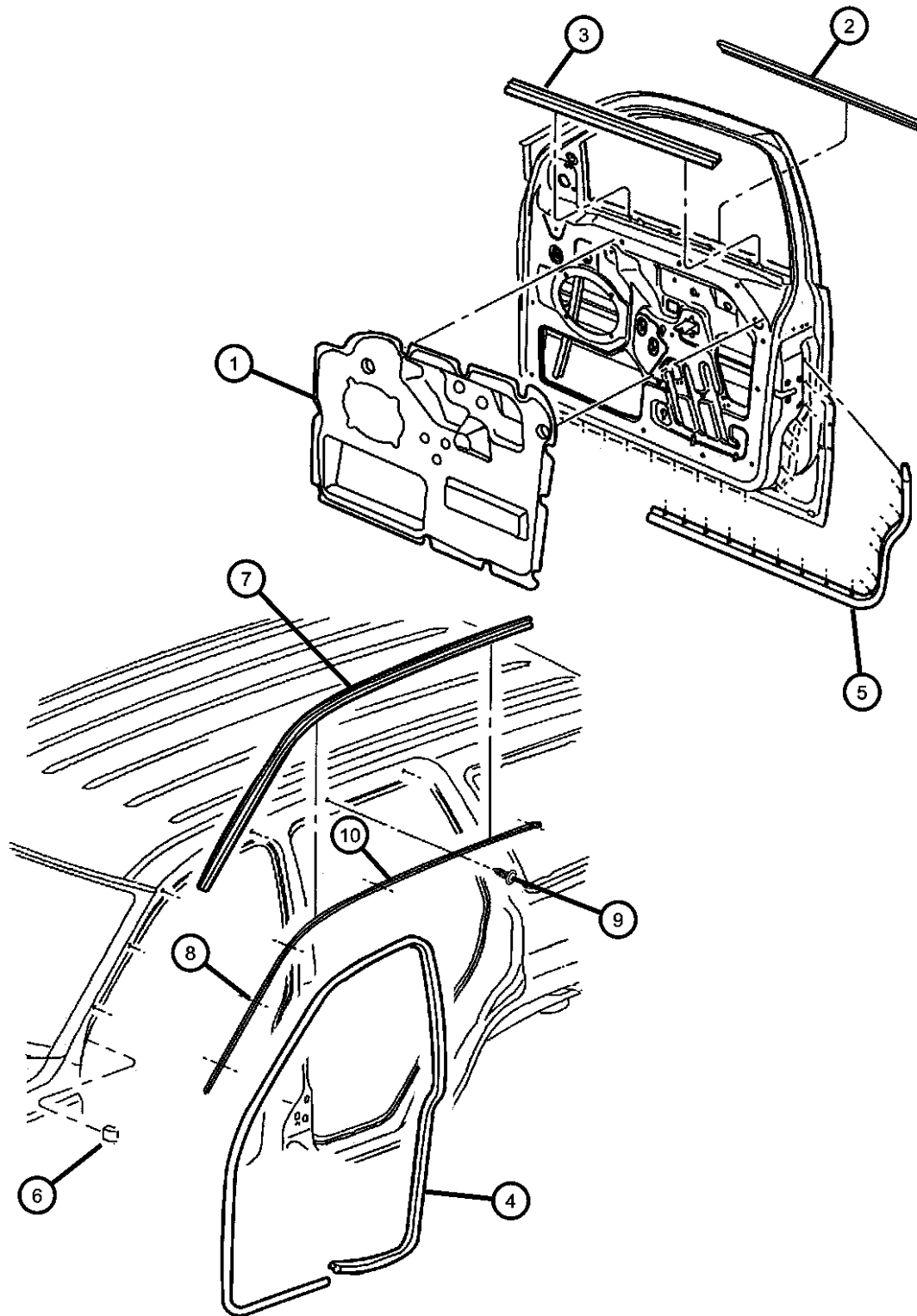
ENGINE
 ERH = ENGINE - 4.0L
 POWER TECH I-6
 EVA = ENGINE- 4.7L V8 MPI

TRANSMISSION
 DGK = TRANSMISSION - 4-SPD.
 AUTOMATIC, 42RE
 DGQ = TRANSMISSION-5SPD
 AUTOMATIC 5-45RFE
 DGO = ALL AUTOMATIC
 TRANSMISSIONS

AR = use ase required - = Non illustrated part

2001 WJ

**Door, Front Weatherstrips and Seals
Figure DWJ-610**



ITEM	PART NUMBER	QTY	LINE	SERIES	BODY	ENGINE	TRANS	TRIM	DESCRIPTION
1	55135874AD	1							INSULATOR, Front Door Right
	55135875AD	1							Left
2	55135878AC	1							WEATHERSTRIP, Front Door Belt Right
	55135879AC	1							Left
3	55135898AC	1							WEATHERSTRIP, Front Door Belt Right
	55135899AC	1							Left
4	55135918AC	1							SEAL, Front Door Right
	55135919AC	1							Left
5	55136114AB	1							SEAL, Front Door Right
	55136115AB	1							Left
6	55135678	2							BLOCKER, Seal Exterior A Pillar
7	55135869AB	1							SEAL, Body Side Right
	55135872AB	1							Left
8	55136902AD	1							MOLDING, Windshield, Retainer Right
	55136903AD	1							Left
9	55136903AD	1							SCREW, Tapping, .164-18x.437, 06033605, (NOT SERVICED)
10	55136900AA	1							RETAINER Right Rear
	55136901AA	1							Left Rear

GRAND CHEROKEE (WJ)

SERIES LINE
H = Laredo T = JEEP - 2WD
P = Limited J = JEEP - 4WD

BODY
74 = SPORT UTILITY 4-DR

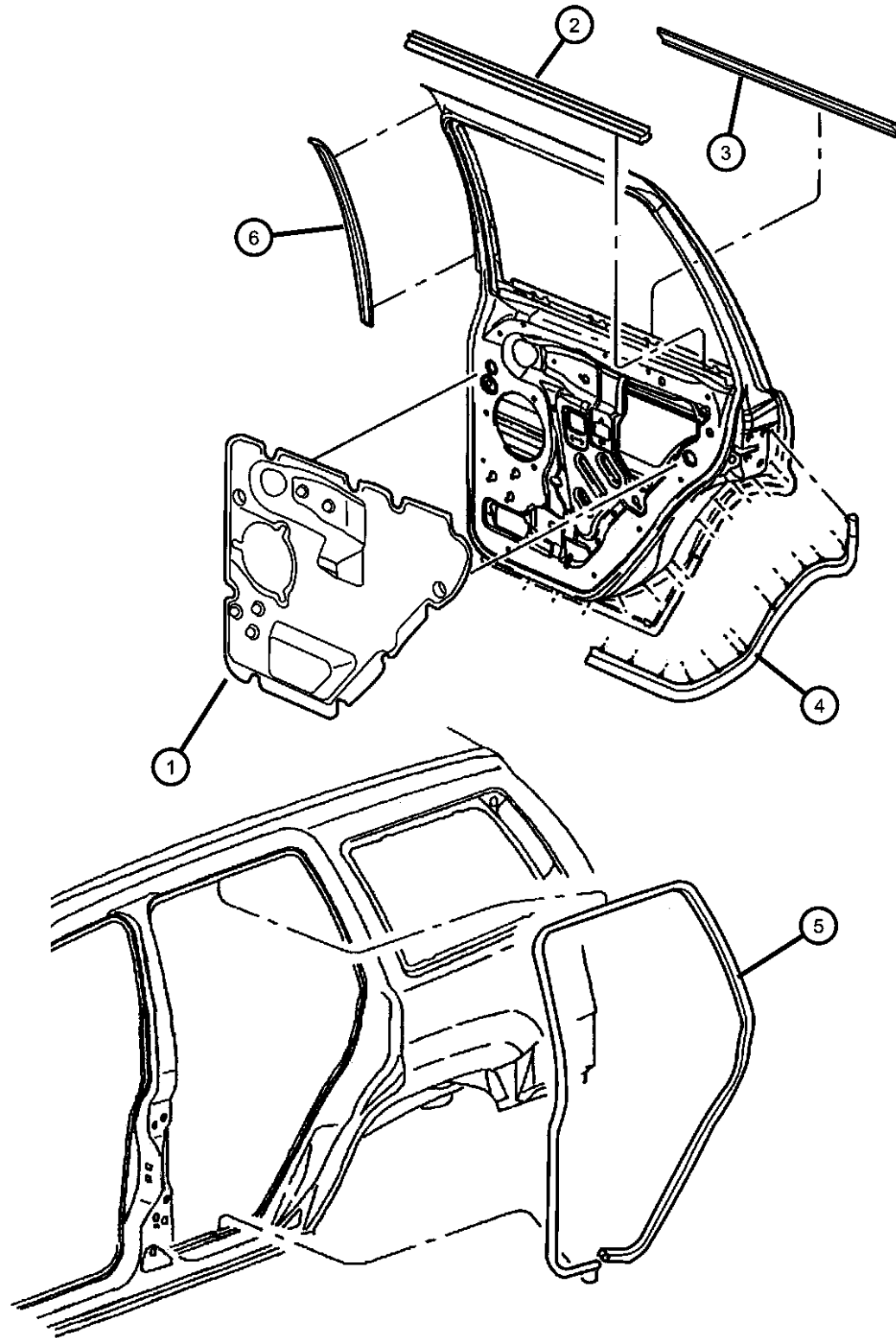
ENGINE
ERH = ENGINE - 4.0L
POWER TECH I-6
EVA = ENGINE- 4.7L V8 MPI

TRANSMISSION
DGK = TRANSMISSION - 4-SPD.
AUTOMATIC, 42RE
DGQ = TRANSMISSION-5SPD
AUTOMATIC 5-45RFE
DGO = ALL AUTOMATIC
TRANSMISSIONS

AR = use ase required - = Non illustrated part

2001 WJ

**Door, Rear Weatherstrips and Seals
Figure DWJ-620**



ITEM	PART NUMBER	QTY	LINE	SERIES	BODY	ENGINE	TRANS	TRIM	DESCRIPTION
1	55135876AD	1							INSULATOR, Rear Door Right
	55135877AD	1							Left
2	55135888AC	1							WEATHERSTRIP, Rear Door Belt, Inner Right
	55135889AC	1							Left
3	55135890AC	1							WEATHERSTRIP, Rear Door Belt, Outer Right
	55135891AC	1							Left
4	55136116AB	1							SEAL, Rear Door Right
	55136117AB	1							Left
5	55135958AC	1							SEAL, Rear Door Right
	55135959AC	1							Left
6	55136118AB	1							SEAL, B-Pillar Right
	55136119AB	1							Left

GRAND CHEROKEE (WJ)

SERIES LINE
H = Laredo T = JEEP - 2WD
P = Limited J = JEEP - 4WD

BODY
74 = SPORT UTILITY 4-DR

ENGINE
ERH = ENGINE - 4.0L
POWER TECH I-6
EVA = ENGINE- 4.7L V8 MPI

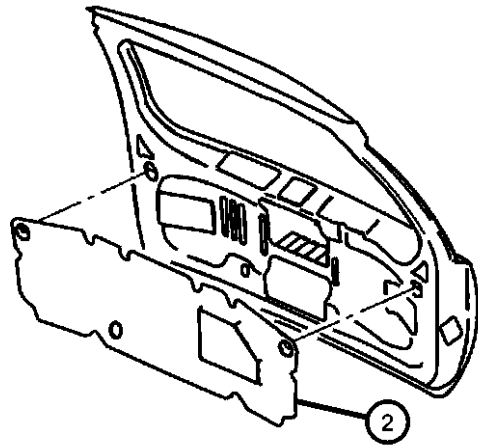
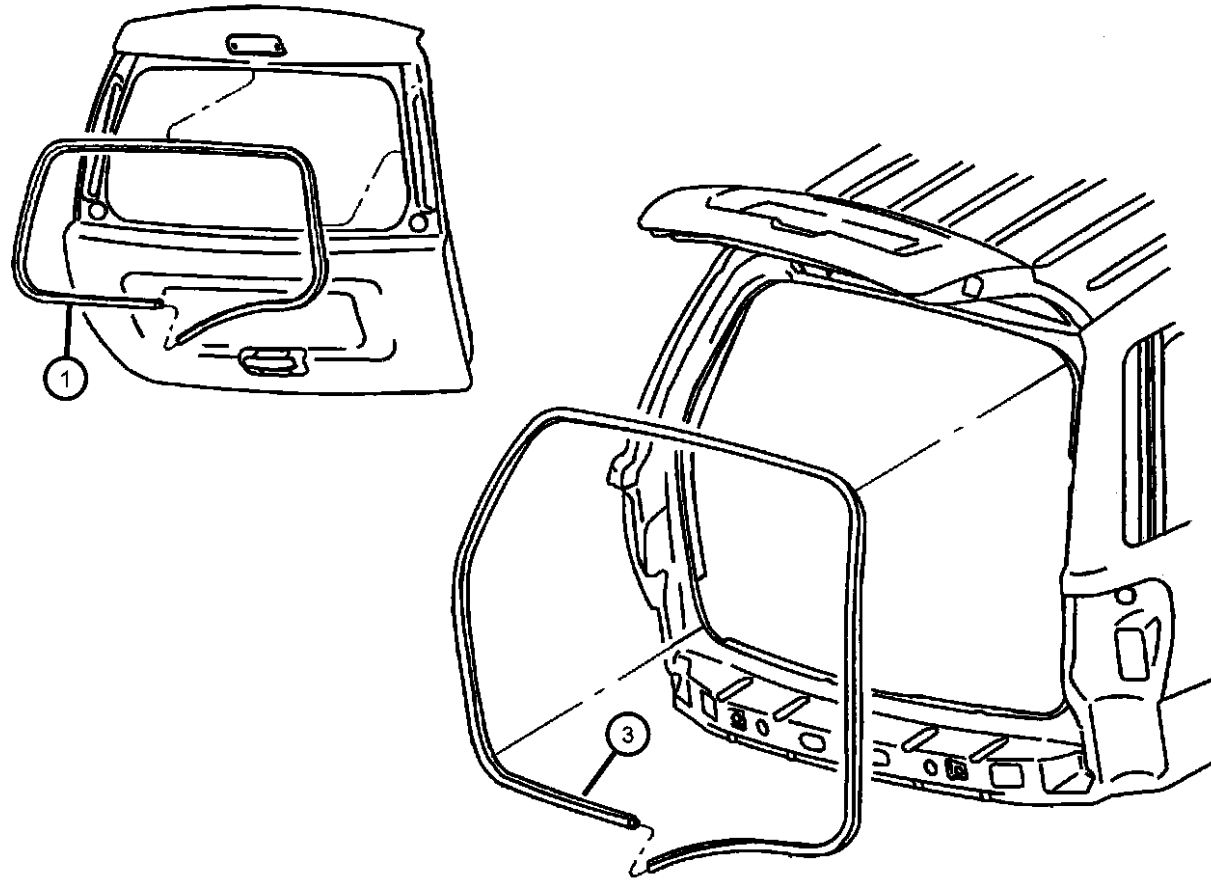
TRANSMISSION
DGK = TRANSMISSION - 4-SPD.
AUTOMATIC, 42RE
DGQ = TRANSMISSION-5SPD
AUTOMATIC 5-45RFE
DGO = ALL AUTOMATIC
TRANSMISSIONS

AR = use ase required - = Non illustrated part

2001 WJ

**Door, Rear Tail Gate Weatherstrips and Seals
Figure DWJ-630**

ITEM	PART NUMBER	QTY	LINE	SERIES	BODY	ENGINE	TRANS	TRIM	DESCRIPTION
1	55363160AA	1							WEATHERSTRIP, Liftgate Glass
2	55136185AC	1							INSULATION, Liftgate
3	55135388AB	1							SEAL, Liftgate



GRAND CHEROKEE (WJ)

SERIES LINE
H = Laredo T = JEEP - 2WD
P = Limited J = JEEP - 4WD

BODY
74 = SPORT UTILITY 4-DR

ENGINE
ERH = ENGINE - 4.0L
POWER TECH I-6
EVA = ENGINE- 4.7L V8 MPI

TRANSMISSION
DGK = TRANSMISSION - 4-SPD.
AUTOMATIC, 42RE
DGQ = TRANSMISSION-5SPD
AUTOMATIC 5-45RFE
DGO = ALL AUTOMATIC
TRANSMISSIONS

AR = use ase required - = Non illustrated part

2001 WJ

Group - EWJ

Exterior Ornamentation

Group - EWJ Exterior Ornamentation

Group-Fig. No.

Illustration Title

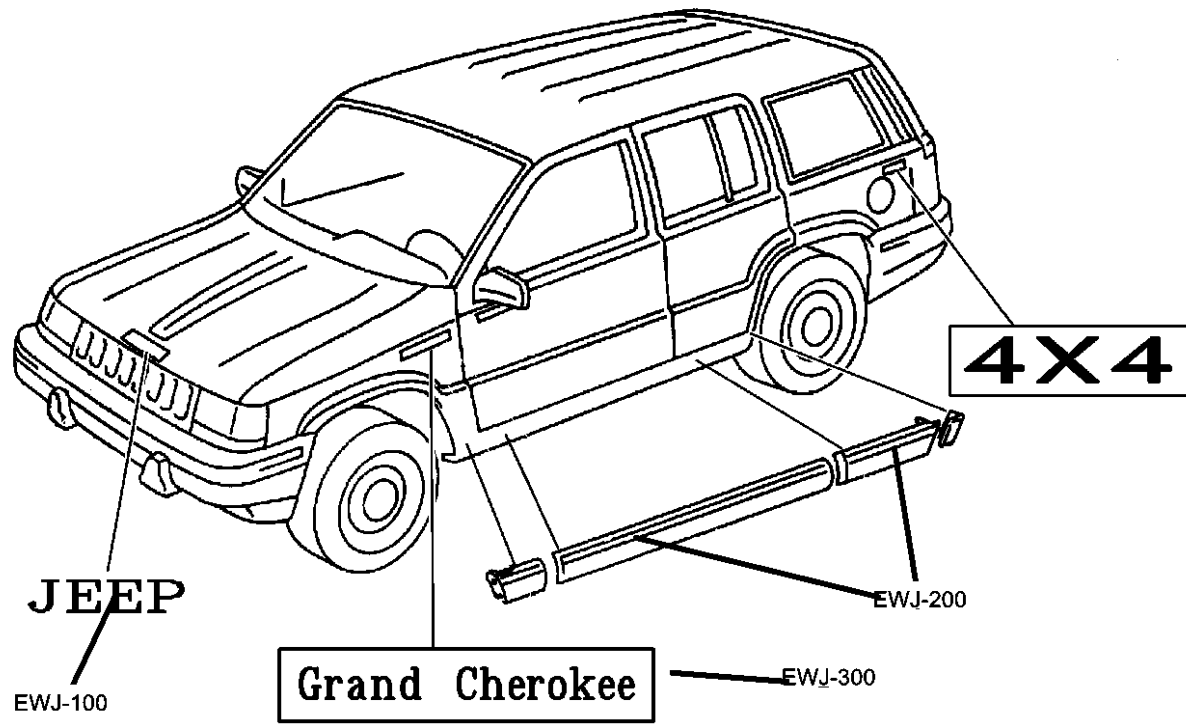
Nameplates

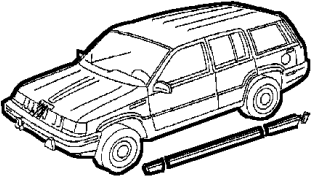
Nameplates and Decals Fig. EWJ - 120

Moldings and Ornamentation

Moldings, Upper Fig. EWJ - 210

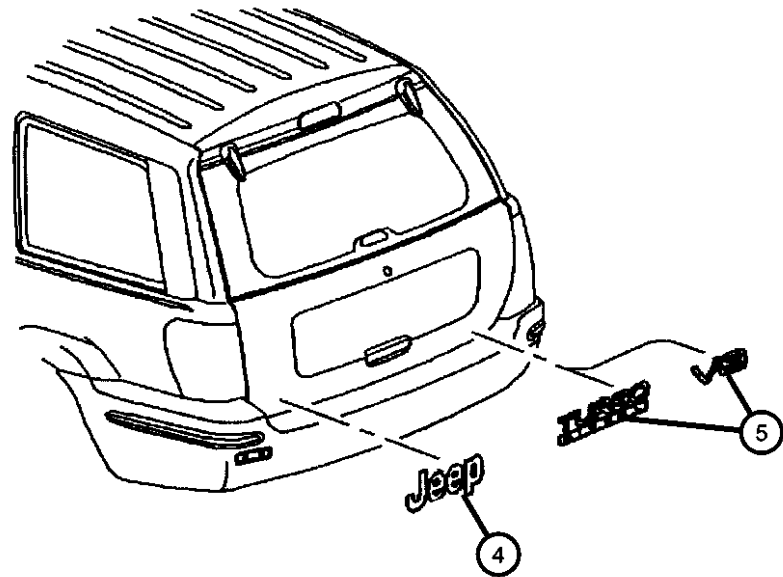
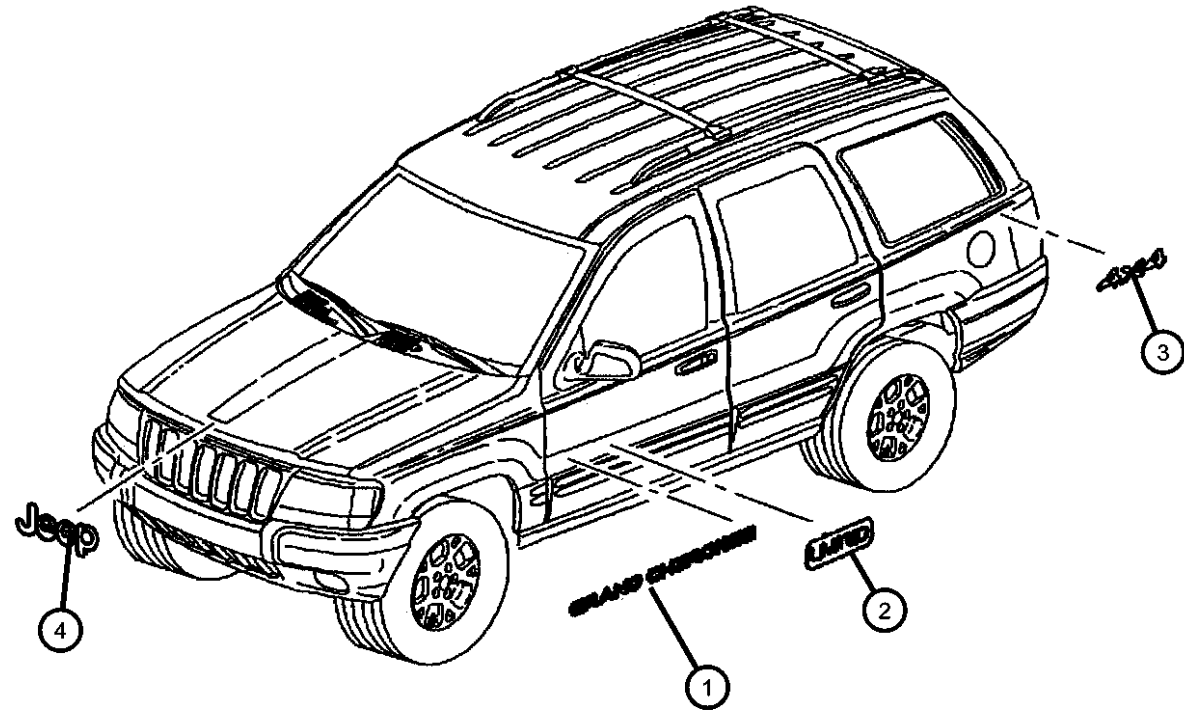
Cladding and Sill Moldings Fig. EWJ - 220



<p>EWJ-100 Nameplates</p> <p>Grand Cherokee JEEP</p>	<p>EWJ-200 Moldings and Ornamentation</p> 		
---	--	--	--

**Nameplates and Decals
Figure EWJ-120**

ITEM	PART NUMBER	QTY	LINE	SERIES	BODY	ENGINE	TRANS	TRIM	DESCRIPTION
1	55155621	2							NAMEPLATE, Grand Cherokee, Grand Cherokee, Chrome
2	55156043AA	2							DIMENSIONAL GRAPHIC, Limited, Chrome
3	55155623	2	J						NAMEPLATE, 4x4, Chrome
4	55155622	2							NAMEPLATE, Jeep, Jeep, Chrome
5									NAMEPLATE, V-8 and Quadra Drive
	55155620	1							V-8 Chrome
	55155994AA	1							Quadra Drive - Chrome
-6	55156599AA	2							DECAL, "60TH ANNIVERSARY EDITION"



GRAND CHEROKEE (WJ)

SERIES LINE
H = Laredo T = JEEP - 2WD
P = Limited J = JEEP - 4WD

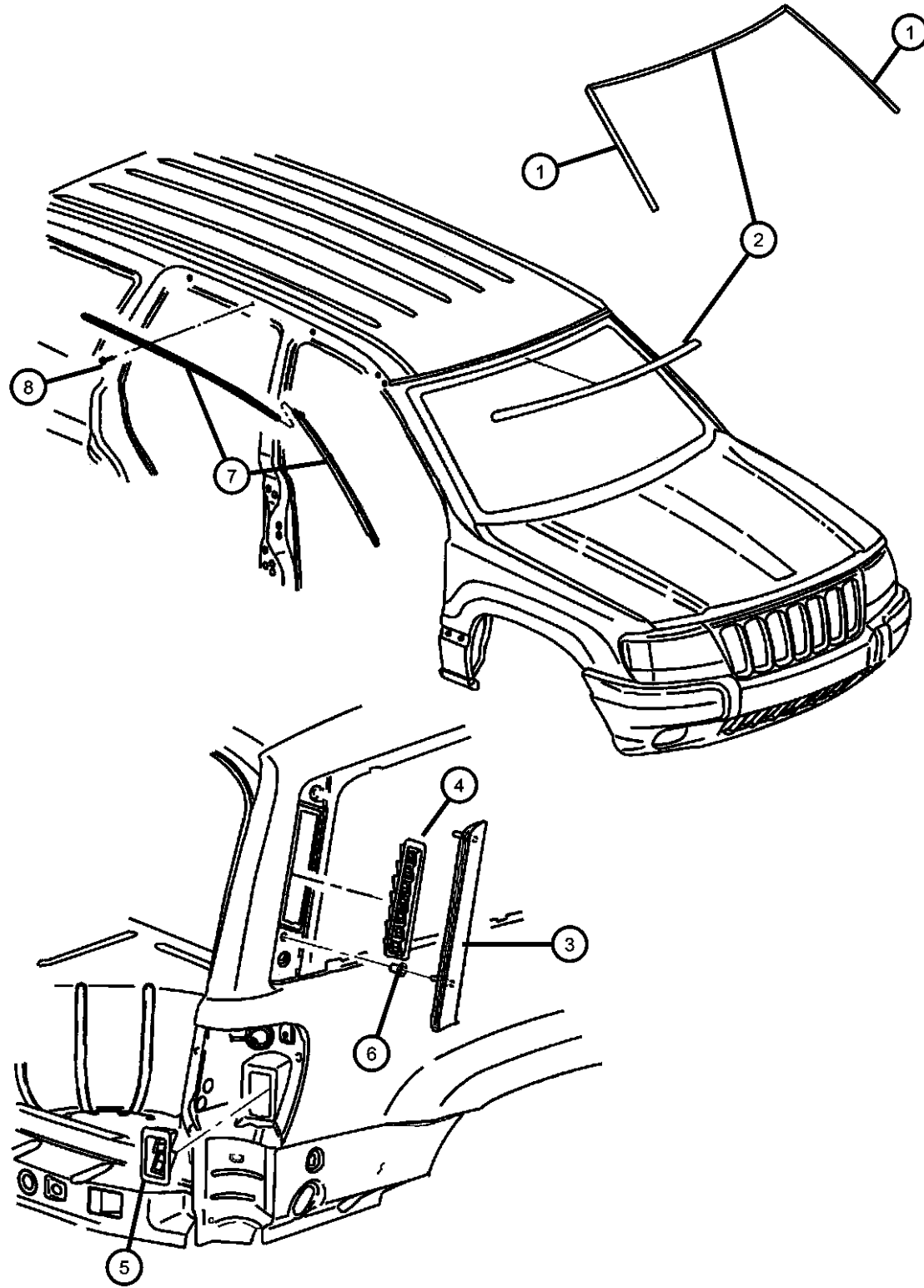
BODY
74 = SPORT UTILITY 4-DR

ENGINE
ERH = ENGINE - 4.0L
POWER TECH I-6
EVA = ENGINE- 4.7L V8 MPI

TRANSMISSION
DGK = TRANSMISSION - 4-SPD.
AUTOMATIC, 42RE
DGQ = TRANSMISSION-5SPD
AUTOMATIC 5-45RFE
DGO = ALL AUTOMATIC
TRANSMISSIONS

AR = use ase required - = Non illustrated part

Moldings, Upper
Figure EWJ-210



ITEM	PART NUMBER	QTY	LINE	SERIES	BODY	ENGINE	TRANS	TRIM	DESCRIPTION
1	55136902AD	1							MOLDING, Windshield Right
	55136903AD	1							Left
2	55135592AC	1							MOLDING, WindshieldUpper
3									APPLIQUE, D Pillar
	5EZ20DX8AB	1							Black Clear Coat, Right
	5EZ20PR4AB	1							Flame Red, Right
	5EZ20SW1AB	1							Stone White Clear Coat, Right
	5EZ20WBTAB	1							Patriot Blue, BT, Right
	5EZ20WTHAB	1							Champagne Peal Coat, TH, Right
	5EZ20WU-LAB	1							Sienna Pearl Coat, UL, Right
	5EZ20XGRAB	1							Shale Green, Right
	5EZ20XS5AB	1							Silverstone, S5, Right
	5EZ21DX8AB	1							Black Clear Coat, Left
	5EZ21PR4AB	1							Flame Red, Left
	5EZ21SW1AB	1							Stone White Clear Coat, Left
	5EZ21WBTAB	1							Patriot Blue, BT, Left
	5EZ21WTHAB	1							Champagne Pearl Coat, TH, Left
	5EZ21WU-LAB	1							Sienna Pearl Coat, UL, Left
	5EZ21XGRAB	1							Shale Green, Left
	5EZ21XS5AB	1							Silverstone, S5, Left
4	55136278AF	1							EXHAUSTER, Quarter PanelRight
5	55136280AB	2							EXHAUSTER, Quarter Panel
6	06004512	4							CLIP, D Pillar Exhauster
7									SEAL, Body Side
	55135869AB	1							Right
	55135872AB	1							Left
8	55135872AB	1							SCREW, Tapping, .164-18x.437, 06033605, (NOT SERVICED)

GRAND CHEROKEE (WJ)

SERIES LINE
H = Laredo T = JEEP - 2WD
P = Limited J = JEEP - 4WD

BODY
74 = SPORT UTILITY 4-DR

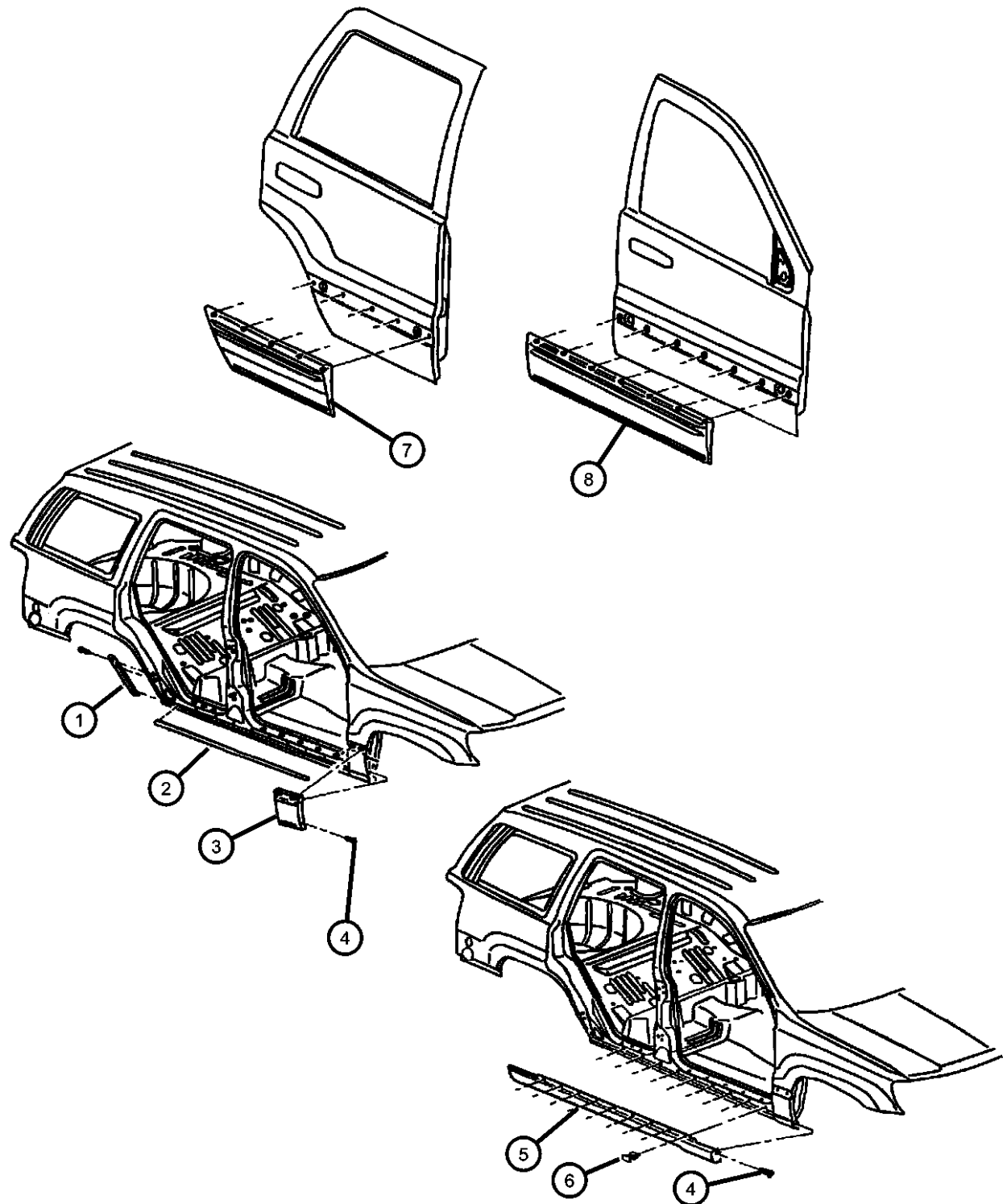
ENGINE
ERH = ENGINE - 4.0L
POWER TECH I-6
EVA = ENGINE- 4.7L V8 MPI

TRANSMISSION
DGK = TRANSMISSION - 4-SPD.
AUTOMATIC, 42RE
DGQ = TRANSMISSION-5SPD
AUTOMATIC 5-45RFE
DGO = ALL AUTOMATIC
TRANSMISSIONS

AR = use ase required - = Non illustrated part

2001 WJ

Cladding and Sill Moldings
Figure EWJ-220



ITEM	PART NUMBER	QTY	LINE	SERIES	BODY	ENGINE	TRANS	TRIM	DESCRIPTION
------	-------------	-----	------	--------	------	--------	-------	------	-------------

Note; Sales Codes
[ADX] = Special Appearance Package

1									CLADDING, Quarter Panel
	5EY78VF7AB	1		H					Laredo, [K4K], Right
	5EY78XS9AB	1		H					Laredo, [K4A], Right
	5EY78YBMAB	1		H					Laredo, [K4C], Right
	5EY78YR8AB	1		H					Laredo, [K4Y], Right
	5EY79VF7AB	1		H					Laredo, [K4K], Left
	5EY79XS9AB	1		H					Laredo, [K4A], Left
	5EY79YBMAB	1		H					Laredo, [K4C], Left
	5EY79YR8AB	1		H					Laredo, [K4Y], Left
	5EY88TZZ	1		P					Limited, Laredo with [ADX] [Service Dealer Paint], Right
	5EY89TZZ	1		P					Limited, Laredo with [ADX] [Service Dealer Paint], Left
2									MOLDING, Sill Cover
	5EY64VF7AB	1		H					Laredo, [K5K], Right
	5EY64XS9AB	1		H					Laredo, [K5A], Right
	5EY64YBMAB	1		H					Laredo, [K5C], Right
	5EY64YR8AB	1		H					Laredo, [K5Y], Right
	5EY65VF7AB	1		H					Laredo, [K5K], Left
	5EY65XS9AB	1		H					Laredo, [K5A], Left
	5EY65YBMAB	1		H					Laredo, [K5C], Left
	5EY65YR8AB	1		H					Laredo, [K5Y], Left
	5FX65DX9AA	2		P					Limited [Service Dealer Paint]
3									CLADDING, Fender
	05015766AA	1		P					Limited, Laredo with [ADX] [Service Dealer Paint], Right
	05015767AA	1		P					Limited, Laredo with [ADX] [Service Dealer Paint], Left
	5FR16VF7AB	1		H					Laredo, [K4K], Right
	5FR16XS9AB	1		H					Laredo, [K4A], Right
	5FR16YBMAB	1		H					Laredo, [K4C], Right
	5FR16YR8AB	1		H					Laredo, [K4Y], Right
	5FR17VF7AB	1		H					Laredo, [K4K], Left
	5FR17XS9AB	1		H					Laredo, [K4A], Left

GRAND CHEROKEE (WJ)

SERIES LINE
H = Laredo T = JEEP - 2WD
P = Limited J = JEEP - 4WD

BODY
74 = SPORT UTILITY 4-DR

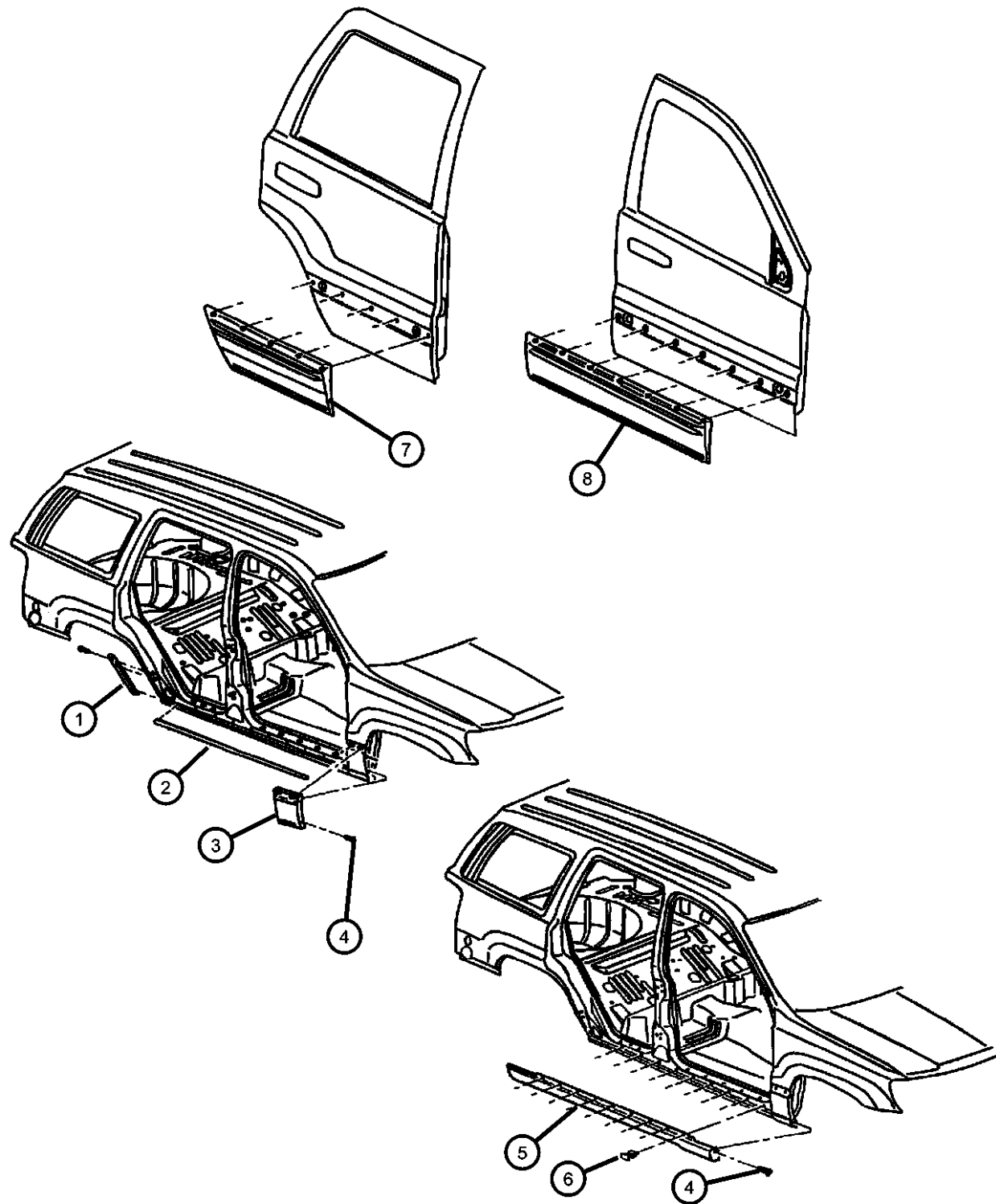
ENGINE
ERH = ENGINE - 4.0L
POWER TECH I-6
EVA = ENGINE- 4.7L V8 MPI

TRANSMISSION
DGK = TRANSMISSION - 4-SPD.
AUTOMATIC, 42RE
DGG = TRANSMISSION-5SPD
AUTOMATIC 5-45RFE
DGO = ALL AUTOMATIC
TRANSMISSIONS

AR = use ase required - = Non illustrated part

2001 WJ

**Cladding and Sill Moldings
Figure EWJ-220**



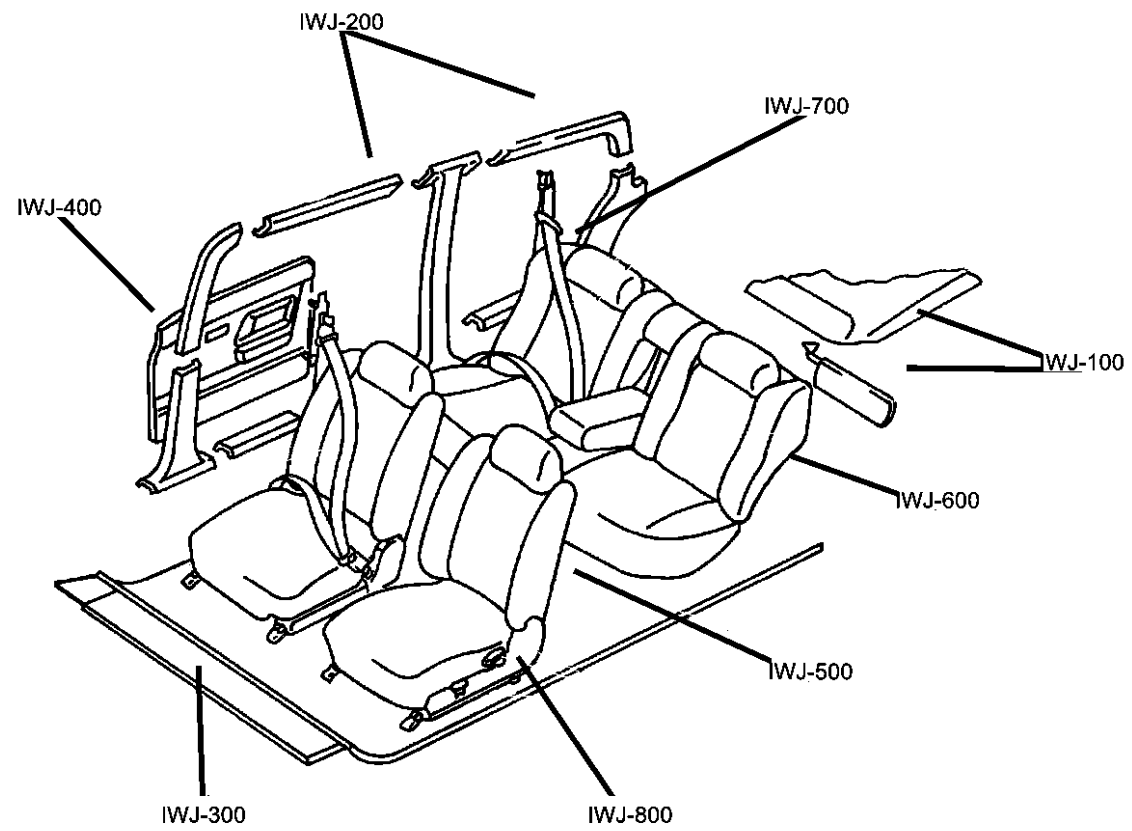
ITEM	PART NUMBER	QTY	LINE	SERIES	BODY	ENGINE	TRANS	TRIM	DESCRIPTION
	5FR17YBMAB	1		H					Laredo, [K4C], Left
	5FR17YR8AB	1		H					Laredo, [K4Y], Left
4	06035217	4							SCREW, Round Head, .164-18.5
5	5FX65DX9AA	2		P					MOLDING, Sill Cover, (Service Dealer Paint)
6	5FR56DX9	18		H, P					RETAINER
7									CLADDING, Rear Door
	05015772AA	1		P					Limited, Laredo with [ADX] [Service Dealer Paint], Right
	05015773AA	1		P					Limited, Laredo with [ADX] [Service Dealer Paint], Left
	5EY74VF7AC	1		H					Laredo, [K4K], Right
	5EY74XS9AC	1		H					Laredo, [K4A], Right
	5EY74YB-MAC	1		H					Laredo, [K4C], Right
	5EY74YR8AC	1		H					Laredo, [K4Y], Right
	5EY75VF7AC	1		H					Laredo, [K4K], Left
	5EY75XS9AC	1		H					Laredo, [K4A], Left
	5EY75YB-MAC	1		H					Laredo, [K4C], Left
	5EY75YR8AC	1		H					Laredo, [K4Y], Left
8									CLADDING, Front Door
	05015770AA	1		P					Limited, Laredo with [ADX] [Service Dealer Paint], Right
	05015771AA	1		P					Limited, Laredo with [ADX] [Service Dealer Paint], Left
	5FR20VF7AC	1		H					Laredo, [K4K], Right
	5FR20XS9AC	1		H					Laredo, [K4A], Right
	5FR20YB-MAC	1		H					Laredo, [K4C], Right
	5FR20YR8AC	1		H					Laredo, [K4Y], Right
	5FR21VF7AC	1		H					Laredo, [K4K], Left
	5FR21XS9AC	1		H					Laredo, [K4A], Left
	5FR21YB-MAC	1		H					Laredo, [K4C], Left
	5FR21YR8AC	1		H					Laredo, [K4Y], Left

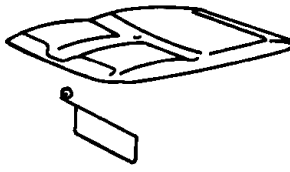
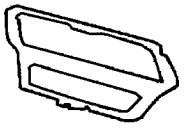
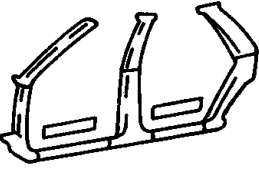
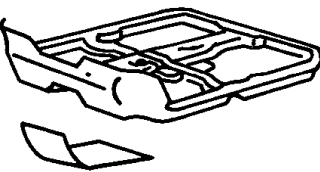
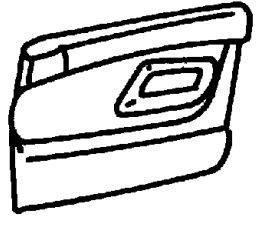
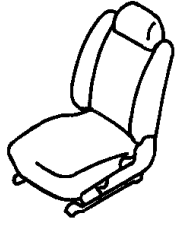
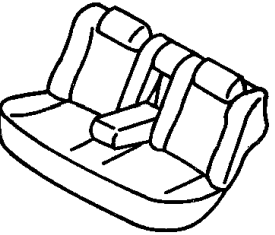
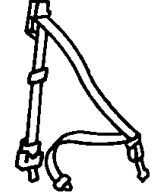
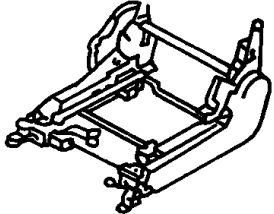
GRAND CHEROKEE (WJ)
 SERIES LINE BODY ENGINE TRANSMISSION
 H = Laredo T = JEEP - 2WD 74 = SPORT UTILITY 4-DR ERH = ENGINE - 4.0L DKG = TRANSMISSION - 4-SPD.
 P = Limited J = JEEP - 4WD POWER TECH I-6 AUTOMATIC, 42RE
 EVA = ENGINE- 4.7L V8 MPI DGQ = TRANSMISSION-5SPD AUTOMATIC 5-45RFE
 DGO = ALL AUTOMATIC TRANSMISSIONS

AR = use ase required - = Non illustrated part

Group - IWJ

Interior Trim

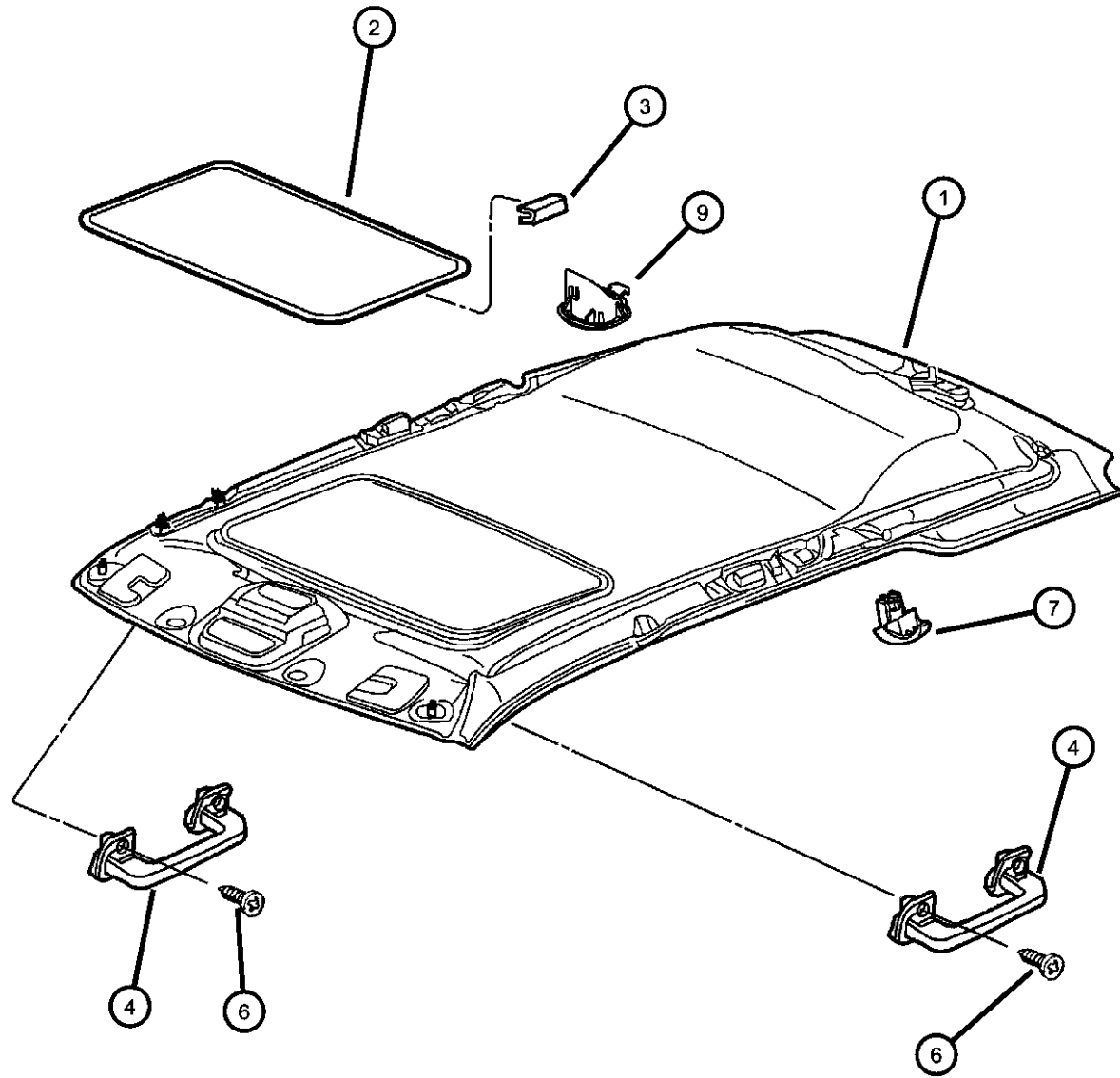


<p>IWJ-100 Headliner and Visor</p> 	<p>IWJ-1000 Lift Gate Trim</p> 	<p>IWJ-200 Panel - Mouldings, Scuff Plates</p> 	<p>IWJ-300 Carpet</p> 
<p>IWJ-400 Door Trim Panels</p> 	<p>IWJ-500 Front Seats and Attaching Parts</p> 	<p>IWJ-600 Rear Seats and Attaching Parts</p> 	<p>IWJ-700 Seat Belts - Front and Rear</p> 
<p>IWJ-800 Adjusters, Covers, Shields and Risers</p> 			

Group - IWJ Interior Trim

Illustration Title	Group-Fig. No.
Headliner and Visor	
Headliner and Assist Handle	Fig. IWJ - 110
Sunvisor.....	Fig. IWJ - 120
Panel - Mouldings, Scuff Plates	
Front Trim Panels and Scuff Plates.....	Fig. IWJ - 210
Rear Trim Panels.....	Fig. IWJ - 220
Carpet	
Carpet and Insulation	Fig. IWJ - 310
Door Trim Panels	
Door Trim Panels.....	Fig. IWJ - 410
Front Seats and Attaching Parts	
Front Seat, Cloth, Trim Code [H7]	Fig. IWJ - 510
Front Seat, Leather, Trim Code [FL]	Fig. IWJ - 520
Front Seat, Leather, Trim Code [EL].....	Fig. IWJ - 530
Rear Seats and Attaching Parts	
Rear Seat, Trim Code [H7]	Fig. IWJ - 610
Rear Seat, Trim Code [FL]	Fig. IWJ - 620
Rear Seat, Trim Code [EL]	Fig. IWJ - 630
Seat Belts - Front and Rear	
Front Seat.....	Fig. IWJ - 710
Rear Seat Belt.....	Fig. IWJ - 720
Adjusters, Covers, Shields and Risers	
Recliner and Adjusters.....	Fig. IWJ - 810
Lift Gate Trim	
Liftgate Panel and Scuff Plate.....	Fig. IWJ - 1010

Headliner and Assist Handle Figure IWJ-110



ITEM	PART NUMBER	QTY	LINE	SERIES	BODY	ENGINE	TRANS	TRIM	DESCRIPTION
Sales Codes :									
[GNC] = Illuminated Vanity Mirrors									
[GNV] = With Vanity Mirror									
[GWA] = Sunroof									
[XGD] = Garage Door Opener									
1	5FS43TL2AD	1							HEADLINER
								*00	[AZ, L5], Without Sunroof, With Illuminated Vanity,[GNC] Garage Door Opener, [XGD]
	5FS43XT5AD	1						*00	[T5], , Without Sunroof, With Illuminated Vanity,[GNC] Garage Door Opener, [XGD]
	5FS49TL2AD	1						*00	[AZ, L5], With Sunroof, [GWA]
	5FS49XT5AD	1						*00	[T5], With Sunroof, [GWA]
	5HE10TL2AB	1						*00	[AZ, L5], Without Sunroof, With Vanity Mirror, [GNV]
	5HE10XT5AB	1						*00	[T5], Without Sunroof, With Vanity Mirror, [GNV]
2	5FW36TL2AA	1						*00	WELT, Headliner
								*00	[AZ, A2, L5]
	5FW36XT5AA	1						*00	[T5]
3	5GD77TL2AA	1						*00	RETAINER, Sunroof Welt
								*00	[AZ, A2, L5]
	5GD77XT5AA	1						*00	[T5]
4	5FS41TL2AB	1						*00	HANDLE, Roof Grab
								*00	[AZ, A2, L5], Front, Right
	5FS41XT5AB	1						*00	[T5], Front, Right
	5FS60TL2	1						*00	[AZ, A2, L5], With Lamp, Rear, Right
	5FS60XT5	1						*00	[T5], With Lamp, Rear, Right
	5FS61TL2	1						*00	[AZ, A2, L5], With Lamp, Rear, Left
	5FS61XT5	1						*00	[T5], With Lamp, Rear, Left
-5	05073251AA	8						*00	CLIP, Z-Axis, Visor & Grab Handle Attach
6	06035324	2						*00	SCREW, .164-18x.75
7	5FS52TL2	2						*00	HOOK, Coat
								*00	[AZ, A2, L5]
	5FS52XT5	2						*00	[T5]

GRAND CHEROKEE (WJ)

SERIES LINE
H = Laredo T = JEEP - 2WD
P = Limited J = JEEP - 4WD

BODY
74 = SPORT UTILITY 4-DR

ENGINE
ERH = ENGINE - 4.0L
POWER TECH I-6
EVA = ENGINE- 4.7L V8 MPI

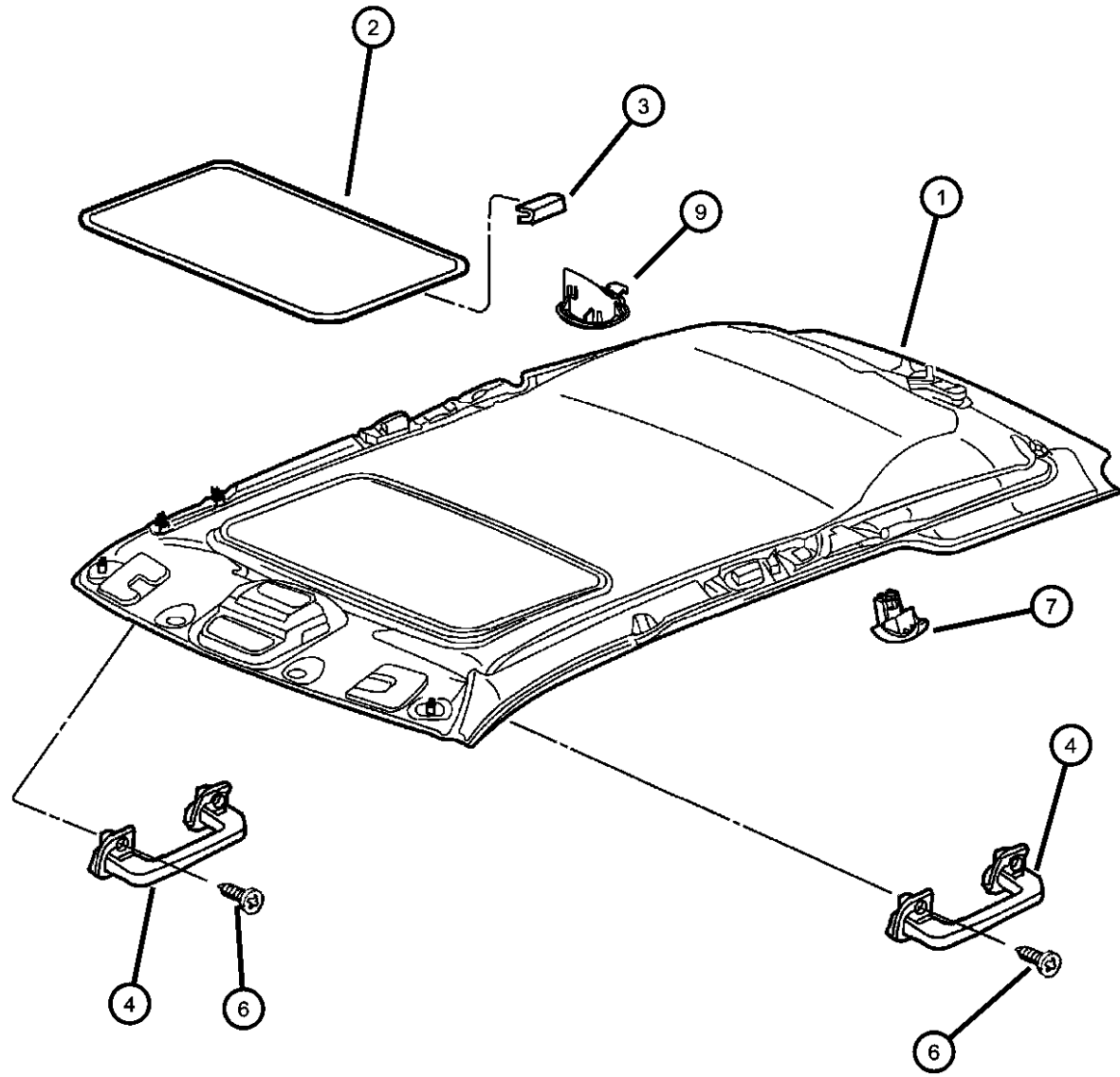
TRANSMISSION
DGK = TRANSMISSION - 4-SPD.
AUTOMATIC,42RE
DQG = TRANSMISSION-5SPD
AUTOMATIC 5-45RFE
DGO = ALL AUTOMATIC
TRANSMISSIONS

AR = use ase required - = Non illustrated part

2001 WJ

**Headliner and Assist Handle
Figure IWJ-110**

ITEM	PART NUMBER	QTY	LINE	SERIES	BODY	ENGINE	TRANS	TRIM	DESCRIPTION
-8	05016132AA	1							*O0 CLIP, Headliner Mounting, 'Z' Clip for Coat Hook Retension
9									BEZEL, Tether anchor, Rear Sides
	5GX26TL2AB	1							*O0 [AZ, A2, L5], Right
	5GX26XT5AB	1							*O0 [T5], Right
	5GX27TL2AB	1							*O0 [AZ, A2, L5], Left
	5GX27XT5AB	1							*O0 [T5], Left
-10	55196862AA	1							SPACER



GRAND CHEROKEE (WJ)

SERIES LINE
H = Laredo T = JEEP - 2WD
P = Limited J = JEEP - 4WD

BODY
74 = SPORT UTILITY 4-DR

ENGINE
ERH = ENGINE - 4.0L
POWER TECH I-6
EVA = ENGINE- 4.7L V8 MPI

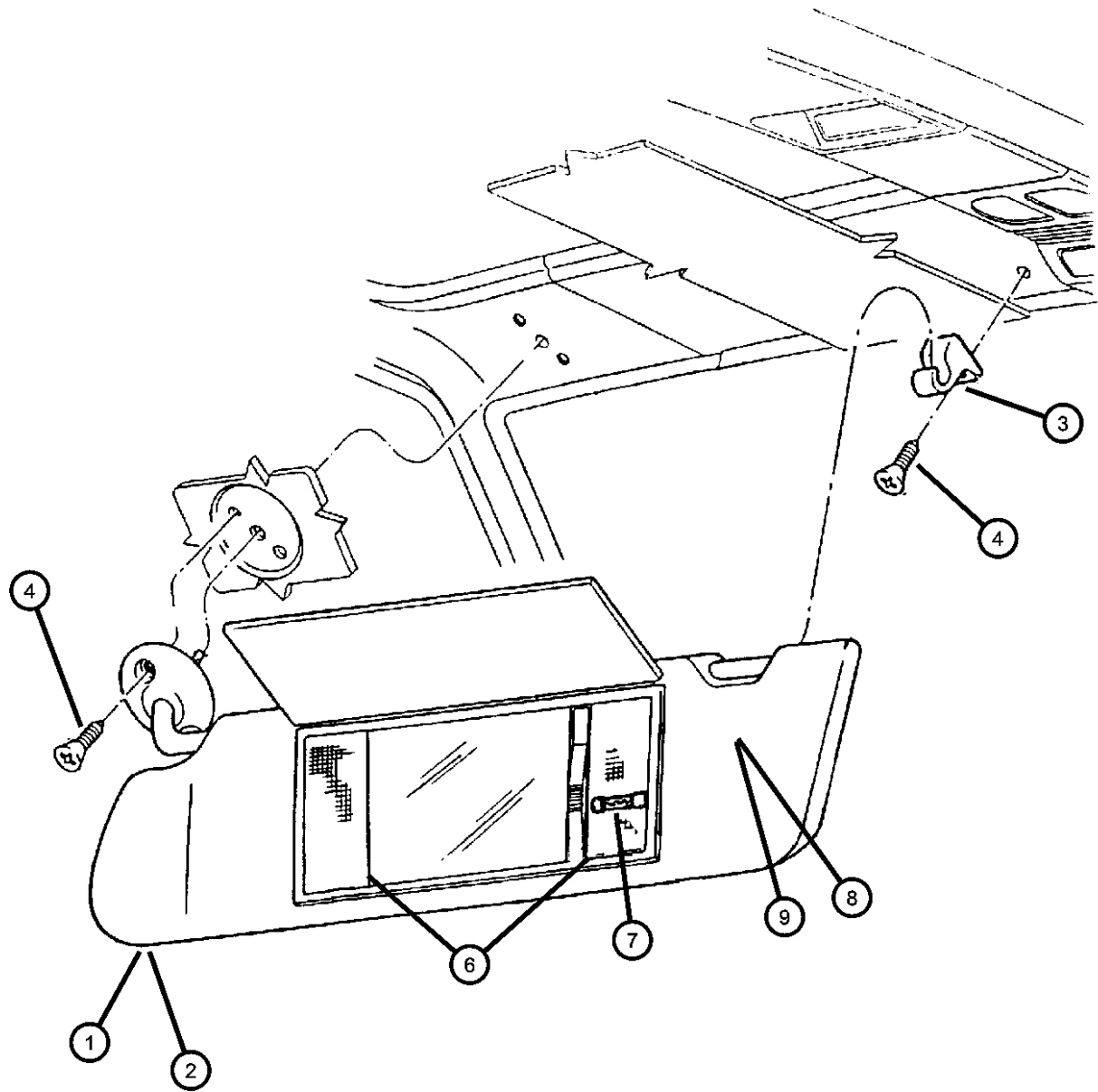
TRANSMISSION
DGK = TRANSMISSION - 4-SPD.
AUTOMATIC, 42RE
DGQ = TRANSMISSION-5SPD
AUTOMATIC 5-45RFE
DGO = ALL AUTOMATIC
TRANSMISSIONS

AR = use ase required - = Non illustrated part

2001 WJ

**Sunvisor
Figure IWJ-120**

ITEM	PART NUMBER	QTY	LINE	SERIES	BODY	ENGINE	TRANS	TRIM	DESCRIPTION
1									VISOR, Illuminated
	5HB94TL2AA	1						*00	[AZ, A2, L5], Right
	5HB94XT5AA	1						*00	[T5], Right
	5HB95XT5AB	1						*00	[T5], Left
	5HB95TL2AB	1						*00	[AZ, A2, L5], Left
2									VISOR, W/Mirror
	5HB92TL2AA	1						*00	[AZ, L5], Right
	5HB92XT5AA	1						*00	[T5], Right
	5HB93XT5AB	1						*00	[T5], Left
	5HB93TL2AB	1						*00	[AZ, L5], Left
3									SUPPORT, Visor
	5FS40TL2	2						*00	[AZ, A2, L5]
	5FS40XT5	2						*00	[T5]
4	06035324	2						*00	SCREW, .164-18x.75
-5	05073251AA	8						*00	CLIP, Z-Axis, Visor & Grab Handle Attach
6	04778794	1						*00	LENS, Illuminated Visor
7	06501966	1						*00	BULB, Sunvisor
8	04787437AA	2							LABEL, Air Bag Warning
9	55352825AA	1							LABEL, Visor Warning, CANADA ONLY, High Rollover Risk



GRAND CHEROKEE (WJ)

SERIES LINE
H = Laredo T = JEEP - 2WD
P = Limited J = JEEP - 4WD

BODY
74 = SPORT UTILITY 4-DR

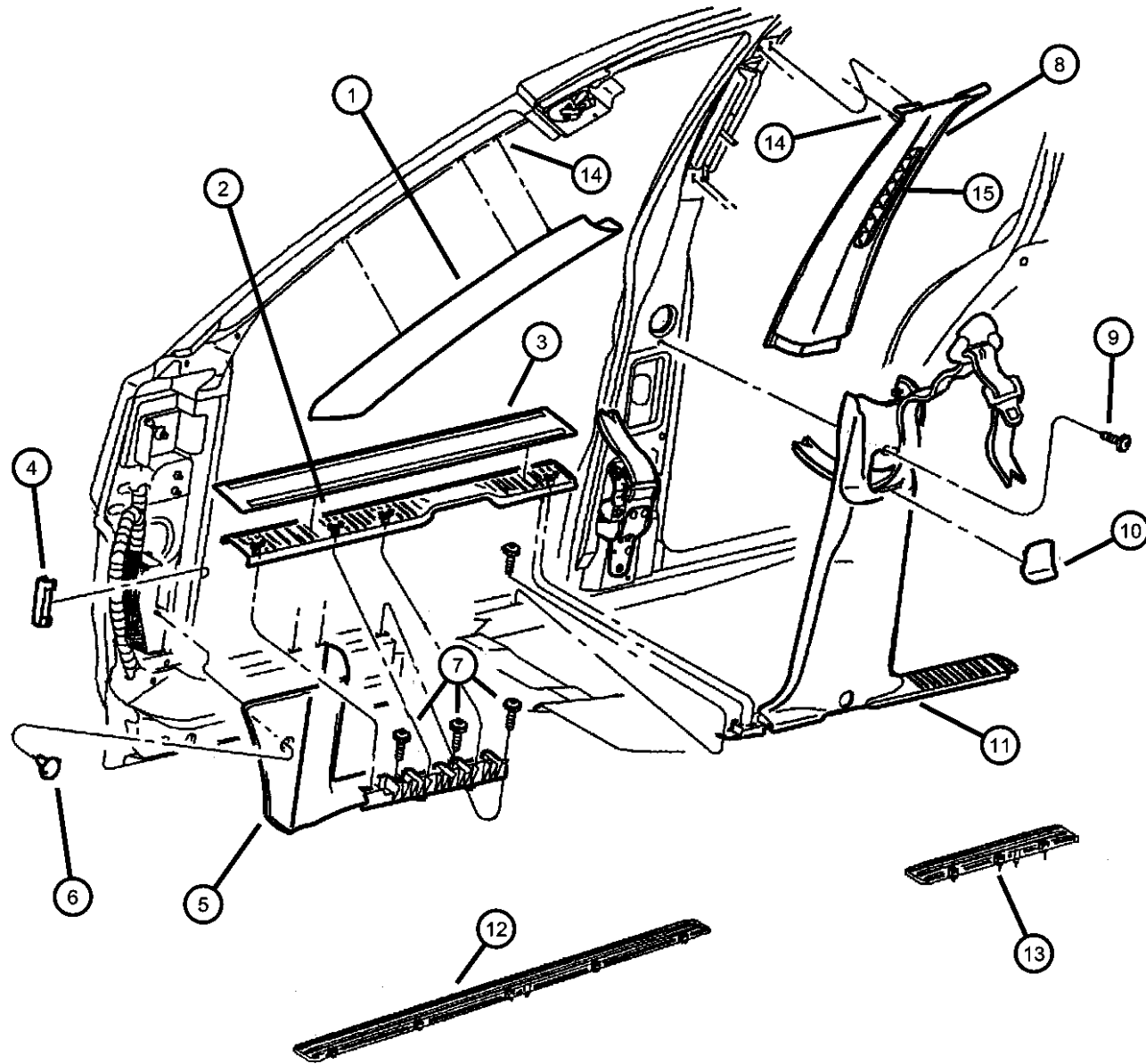
ENGINE
ERH = ENGINE - 4.0L
POWER TECH I-6
EVA = ENGINE- 4.7L V8 MPI

TRANSMISSION
DGK = TRANSMISSION - 4-SPD.
AUTOMATIC, 42RE
DGQ = TRANSMISSION-5SPD
AUTOMATIC 5-45RFE
DGO = ALL AUTOMATIC
TRANSMISSIONS

AR = use ase required - = Non illustrated part

2001 WJ

Front Trim Panels and Scuff Plates
Figure IWJ-210



ITEM	PART NUMBER	QTY	LINE	SERIES	BODY	ENGINE	TRANS	TRIM	DESCRIPTION
1									MOLDING, Windshield Garnish
	5FA52LAZAE	1						*O0	[A2], Right
		1						*O0	[AZ], Right
	5FA52WL8AE	1						*O0	[L5], Right
	5FA52XTMAE	1						*O0	[T5], Right
	5FA53LAZAE	1						*O0	[A2], Left
		1						*O0	[AZ], Left
	5FA53WL8AE	1						*O0	[L5], Left
	5FA53XTMAE	1						*O0	[T5], Left
2									SILL COVER, Interior
	5FX10LAZAC	1						*O0	[AZ], Right
		1						*O0	[A2], Right
	5FX10WL5AC	1						*O0	[L5], Right
	5FX10XT5AC	1						*O0	[T5], Right
	5FX11LAZAC	1						*O0	[AZ], Left
		1						*O0	[A2], Left
	5FX11WL5AC	1						*O0	[L5], Left
	5FX11XT5AC	1						*O0	[T5], Left
3	5FX11XT5AC	1							PROTECTOR, Door Opening, (NOT SERVICED), CLIP, Trim Panel
4	55196878AA	2							
5									PANEL, Cowl
	5FA60LAZAD	1						*O0	[AZ, A2], Right
	5FA60WL5AD	1						*O0	[L5], Right
	5FA60XT5AD	1						*O0	[T5], Right
	5FA61LAZAD	1						*O0	[AZ, A2], Left
	5FA61WL5AD	1						*O0	[L5], Left
	5FA61XT5AD	1						*O0	[T5], Left
6	06503339	2							NUT, Plastic
7	06503339	2							SCREW, .164-18x.625, (NOT SERVICED)
8									PANEL, B Pillar
	5FA56LAZAB	1						*O0	[AZ], Upper, Right
		1						*O0	[A2], Upper, Right
	5FA56WL5AB	1						*O0	[L5], Upper, Right

GRAND CHEROKEE (WJ)

SERIES LINE
H = Laredo T = JEEP - 2WD
P = Limited J = JEEP - 4WD

BODY
74 = SPORT UTILITY 4-DR

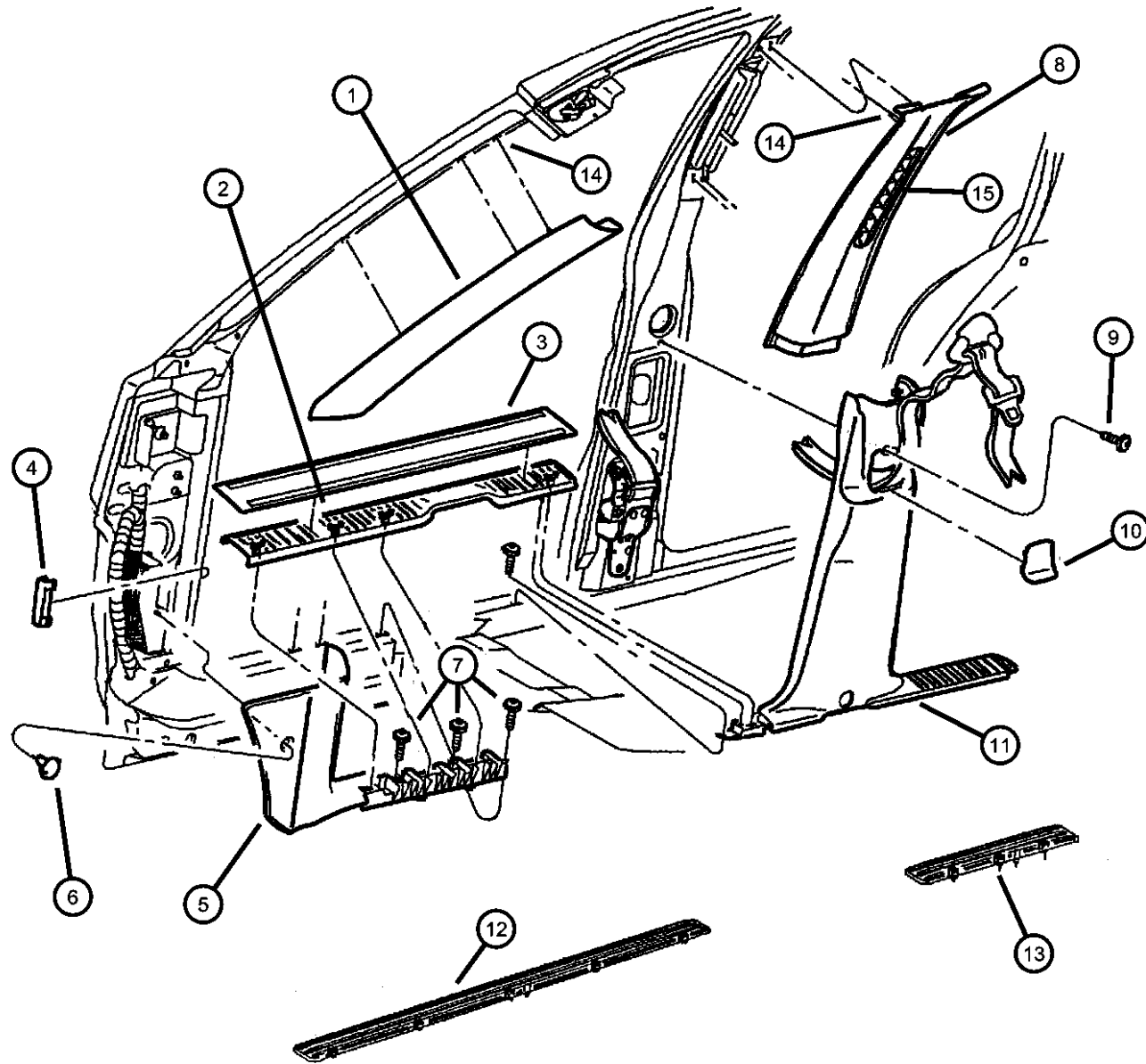
ENGINE
ERH = ENGINE - 4.0L
POWER TECH I-6
EVA = ENGINE- 4.7L V8 MPI

TRANSMISSION
DGK = TRANSMISSION - 4-SPD.
AUTOMATIC, 42RE
DGQ = TRANSMISSION-5SPD
AUTOMATIC 5-45RFE
DGO = ALL AUTOMATIC
TRANSMISSIONS

AR = use ase required - = Non illustrated part

2001 WJ

**Front Trim Panels and Scuff Plates
Figure IWJ-210**



ITEM	PART NUMBER	QTY	LINE	SERIES	BODY	ENGINE	TRANS	TRIM	DESCRIPTION
	5FA56XT5AB	1						*00	[T5], Upper, Right
	5FA57LAZAB	1						*00	[AZ], Upper, Left
		1						*00	[A2], Upper, Left
	5FA57WL5AB	1						*00	[L5], Upper, Left
	5FA57XT5AB	1						*00	[T5], Upper, Left
9	06032723	2							SCREW, Self Tapping, M4.2x1.69x19.05
10									COVER, B Pillar Trim Panel
	5FP86LAZ	2						*00	[AZ, A2]
	5FP86WL5	2						*00	[L5]
	5FP86XT5	2						*00	[T5]
11									PANEL, B Pillar Lower Trim
	5FW54LAZAB	1						*00	[AZ, A2], Right
	5FW54WL5AB	1						*00	[L5], Right
	5FW54XT5AB	1						*00	[T5], Right
	5FW55LAZAA	1						*00	[AZ, A2], Left
	5FW55WL5AA	1						*00	[L5], Left
	5FW55XT5AA	1						*00	[T5], Left
12	5GH22DX9AA	2						*00	PLATE, Front Door Scuff
13	5GH23DX9AA	2						*00	PLATE, Rear Door Scuff
14	55214846	2						*00	CLIP, Trim Panel
15									ADJUSTER, Seat Belt Turning Loop, Slider, Also serviced in B Trim Panel, Item #8
	5FS19LAZ	1						*00	[AZ, A2]
	5FS19WL5	1						*00	[L5]
	5FS19XT5	1						*00	[T5]

GRAND CHEROKEE (WJ)

SERIES LINE
H = Laredo T = JEEP - 2WD
P = Limited J = JEEP - 4WD

BODY
74 = SPORT UTILITY 4-DR

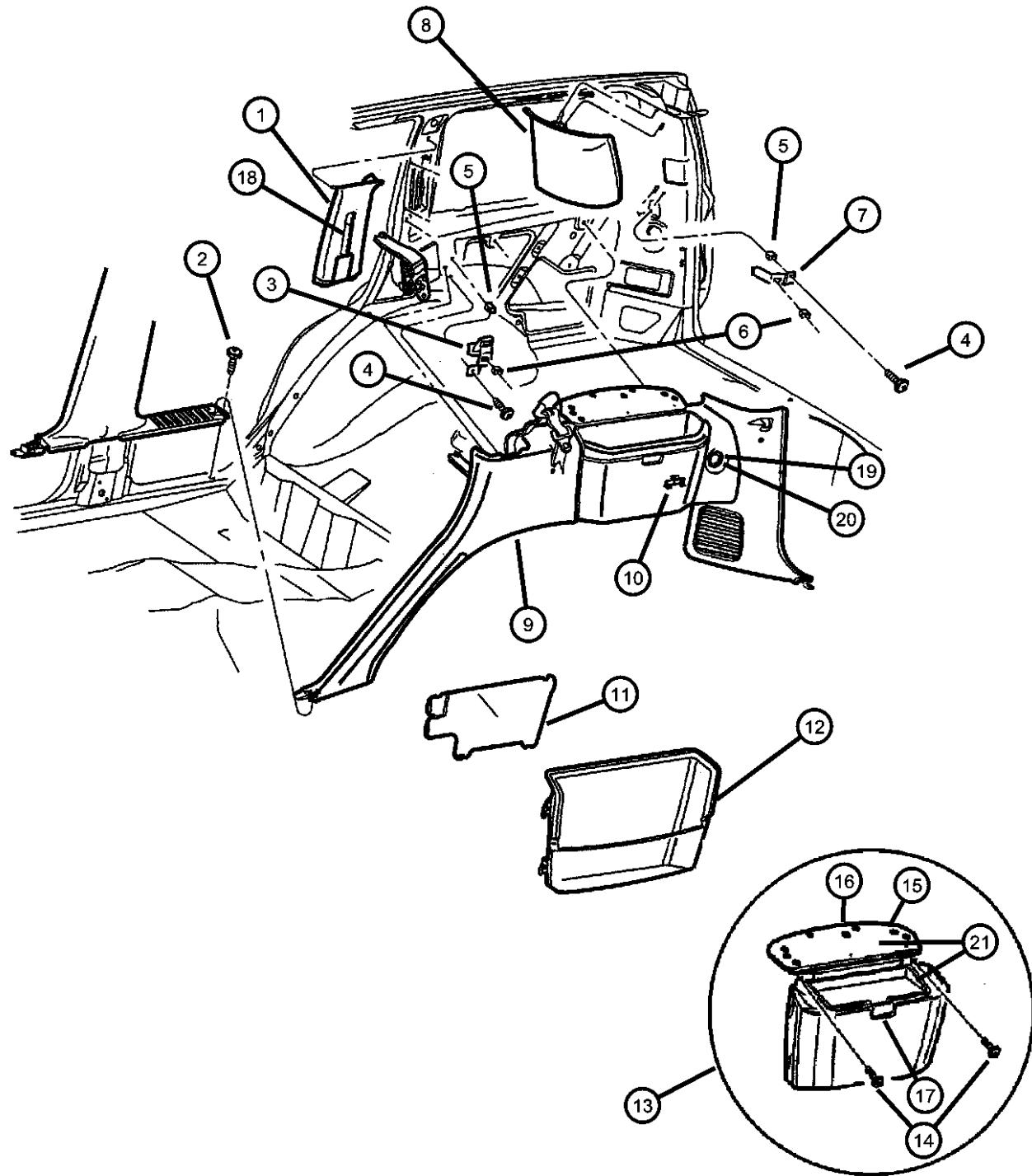
ENGINE
ERH = ENGINE - 4.0L
POWER TECH I-6
EVA = ENGINE- 4.7L V8 MPI

TRANSMISSION
DGK = TRANSMISSION - 4-SPD.
AUTOMATIC, 42RE
DGQ = TRANSMISSION-5SPD
AUTOMATIC 5-45RFE
DGO = ALL AUTOMATIC
TRANSMISSIONS

AR = use ase required - = Non illustrated part

2001 WJ

Rear Trim Panels
Figure IWJ-220



ITEM	PART NUMBER	QTY	LINE	SERIES	BODY	ENGINE	TRANS	TRIM	DESCRIPTION
1	5FA78LAZAE	1						*00	PANEL, C Pillar [AZ, A2], Upper, Right
	5FA78WL5AE	1						*00	[L5], Upper, Right
	5FA78XT5AE	1						*00	[T5], Upper, Right
	5FA79LAZAE	1						*00	[AZ, A2], Upper, Left
	5FA79WL5AE	1						*00	[L5], Upper, Left
	5FA79XT5AE	1						*00	[T5], Upper, Left
2	5FA79XT5AE	1							SCREW, .164-18x.625, (NOT SERVICED),
3	55196742AB	2							BRACKET, Quarter TrimFront
4	00154806	2							SCREW, Round Head, .164-15x1.00
5	06035498	2							NUT, Spring Type, .164-7.5
6	06035773	2							NUT
7	55196744AB	2							BRACKET, Quarter TrimRear
8									PANEL, D Pillar Trim
	5FA72LAZAB	1						*00	[AZ, A2], Right
	5FA72WL5AB	1						*00	[L5], Right
	5FA72XT5AB	1						*00	[T5], Right
	5FA73LAZAB	1						*00	[AZ, A2], Left
	5FA73WL5AB	1						*00	[L5], Left
	5FA73XT5AB	1						*00	[T5], Left
9									PANEL, Quarter Trim
	5FA621AZAF	1						*00	[AZ], Right
	5FA621L5AF	1						*00	[L5], Right
	5FA621T5AF	1						*00	[T5], Right
	5FA621AZAG	1						*00	[A2], Right
	5GK211AZAA	1						*00	[AZ], Left
	5GK21WL5AA	1						*00	[L5], Left
	5GK21XT5AA	1						*00	[T5], Left
	5GK211AZAB	1						*00	[A2], Left
10	55196901AB	4							LOOP, Cargo Tie Down
11									COVER, Bolt
	5FY38LAZAA	1						*00	[AZ]
	5FY38WL5AA	1						*00	[L5]

GRAND CHEROKEE (WJ)

SERIES LINE
H = Laredo T = JEEP - 2WD
P = Limited J = JEEP - 4WD

BODY
74 = SPORT UTILITY 4-DR

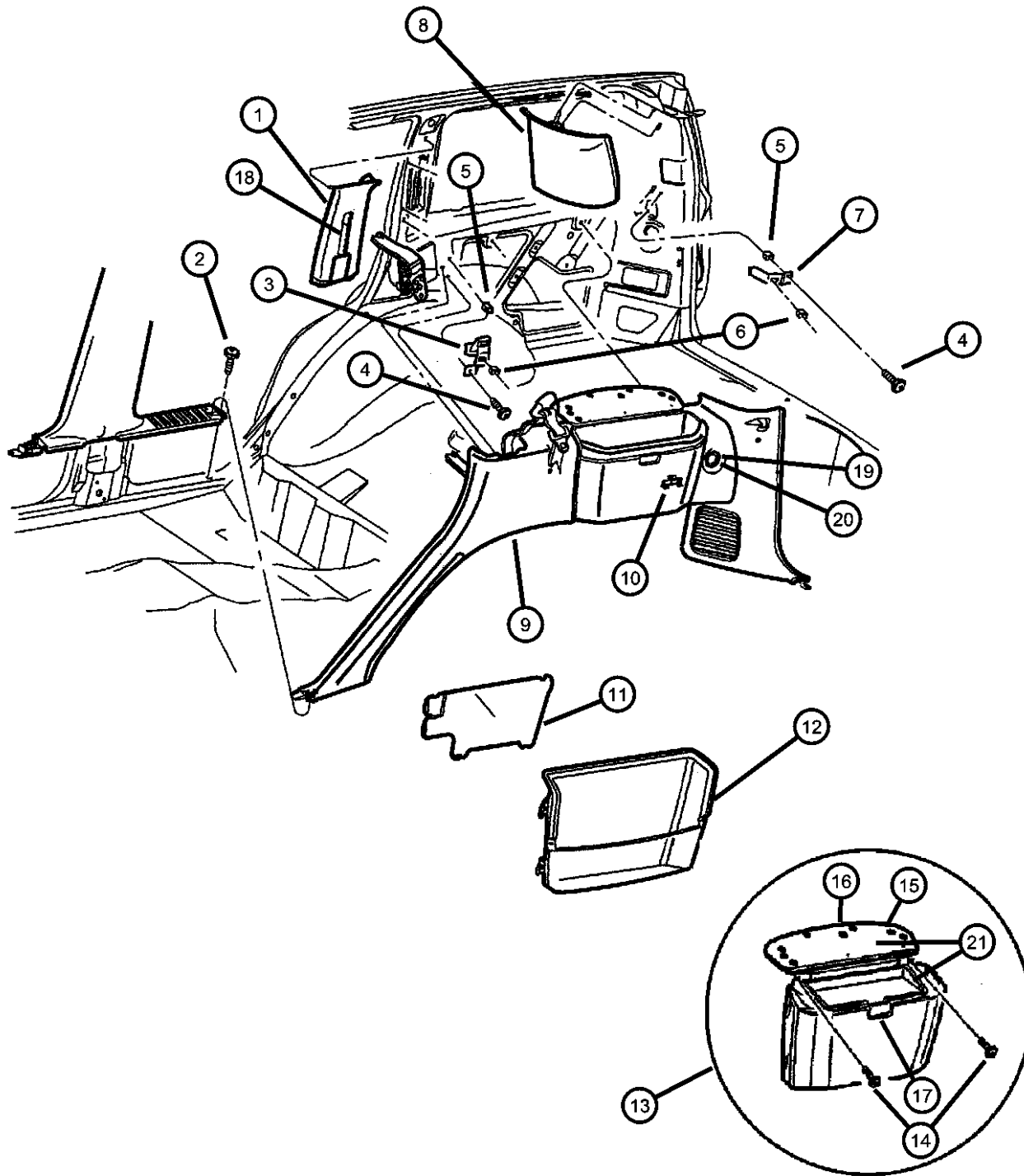
ENGINE
ERH = ENGINE - 4.0L
POWER TECH I-6
EVA = ENGINE- 4.7L V8 MPI

TRANSMISSION
DGK = TRANSMISSION - 4-SPD.
AUTOMATIC, 42RE
DQG = TRANSMISSION-5SPD
AUTOMATIC 5-45RFE
DGO = ALL AUTOMATIC
TRANSMISSIONS

AR = use ase required - = Non illustrated part

2001 WJ

Rear Trim Panels
Figure IWJ-220



ITEM	PART NUMBER	QTY	LINE	SERIES	BODY	ENGINE	TRANS	TRIM	DESCRIPTION
	5FY38XT5AA	1						*00	[T5]
12									BIN, Storage, Cover
	5FS14LAZ	1						*00	[AZ]
	5FS14WL5	1						*00	[L5]
	5FS14XT5	1						*00	[T5]
13									BIN, Storage, Quarter Panel
	5FW371AZAD	1						*00	[AZ, A2]
	5FW371L5AD	1						*00	[L5]
	5FW371T5AD	1						*00	[T5]
14	5FW371T5AD	1							SCREW, .164-15X.500, (NOT SERVICED),
15	04754478	4						*00	BUMPER, Armrest Lid
16									DOOR
	5FS20LAZ	1						*00	[AZ, A2]
	5FS20WL5	1						*00	[L5]
	5FS20XT5	1						*00	[T5]
17	55196620	1						*00	LATCH, Storage Bin Lid
18									ADJUSTER, Seat Belt Turning Loop, Sider, Also serviced in Item #1
	5FS19LAZ	1						*00	[AZ, A2]
	5FS19WL5	1						*00	[L5]
	5FS19XT5	1						*00	[T5]
19	04685591	1							CAP, Cigar Lighter, Power Outlet, Rear
20	0HX32DX9AB	1						*00	PLUG, 12 V-Outlet
21	5FS21DX9AC	1						*00	LID, Storage Bin

GRAND CHEROKEE (WJ)

SERIES LINE
H = Laredo T = JEEP - 2WD
P = Limited J = JEEP - 4WD

BODY
74 = SPORT UTILITY 4-DR

ENGINE
ERH = ENGINE - 4.0L
POWER TECH I-6
EVA = ENGINE- 4.7L V8 MPI

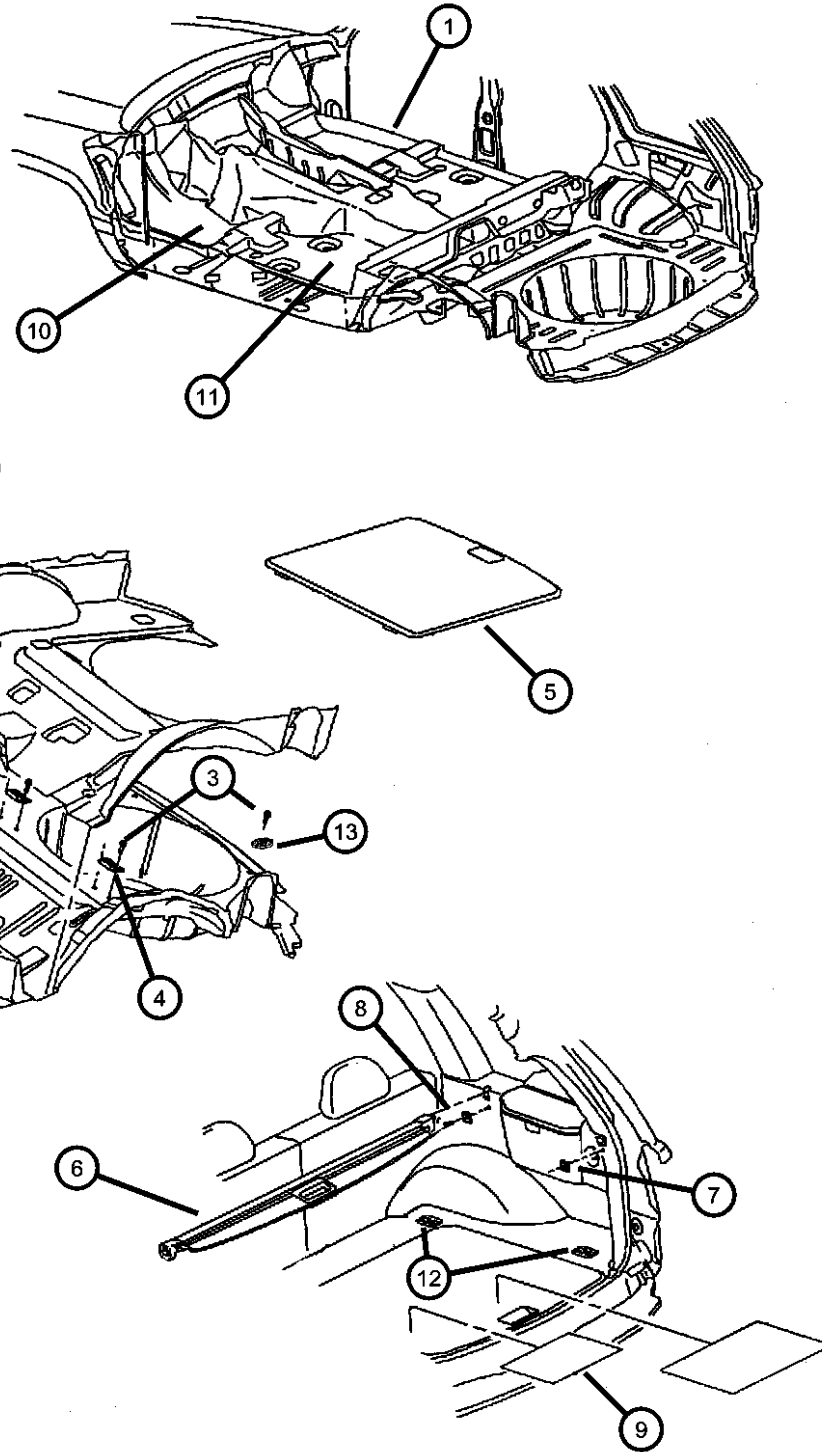
TRANSMISSION
DGK = TRANSMISSION - 4-SPD.
AUTOMATIC, 42RE
DGQ = TRANSMISSION-5SPD
AUTOMATIC 5-45RFE
DGO = ALL AUTOMATIC
TRANSMISSIONS

AR = use ase required - = Non illustrated part

2001 WJ

**Carpet and Insulation
Figure IWJ-310**

ITEM	PART NUMBER	QTY	LINE	SERIES	BODY	ENGINE	TRANS	TRIM	DESCRIPTION	
1	5FA14LAZAC	1						*00	CARPET, Front Floor [AZ, A2]	
	5FA14WL8AC	1						*00	[L5]	
	5FA14XTMAC	1						*00	[T5]	
2	5FS70LAZAC	1						*00	CARPET, Cargo Floor [AZ, A2]	
	5FS70WL8AC	1						*00	[L5]	
	5FS70XTMAC	1						*00	[T5]	
3	06035122	8							RIVET, .187x.70 Black	
4	55196748AA	2							BRACKET, Spare Tire, Hinge Cover	
5	5HB541AZAA	1						*00	COVER, Spare Tire [AZ]	
	5HB541L8AA	1						*00	[L5]	
	5HB541TMAA	1						*00	[T5]	
	5HB541AZAB	1						*00	[A2]	
6	5FS271AZAB	1						*00	COVER, Cargo Compartment [AZ, A2]	
	5FS271L5AB	1						*00	[L5]	
	5FS271T5AB	1						*00	[T5]	
7	55196901AB	4							LOOP, Cargo Tie Down	
8	55196901AB	4							SCREW, [.164-18x1.625], (NOT SERVICED)	
9	55196839AB	1							NET, Cargo	
10	5JB351AZAA	1		P				*00	MAT KIT, Floor - Front [60TH] Anniversary, Front and Rear	
	82204400	1	J, T	H, P	74				[AZ], Black Rubber	
	82204402	1	J, T	H, P	74				[L5], Black Rubber	
	82204409	1						*00	[AZ], Carpeted With Jeep Logo	
	82204410	1						*00	[L5], Carpeted With Jeep Logo	
	82204570	1	J, T	H, P	74				[AZ], Carpeted	
	82204571	1	J, T	H, P	74				[L5], Carpeted	
	82206491	1				74		*00	[T5], Carpeted With Jeep Logo	
	11	82203303	1	J, T	H, P	74				MAT KIT, Floor - Rear [AZ], Black Rubber



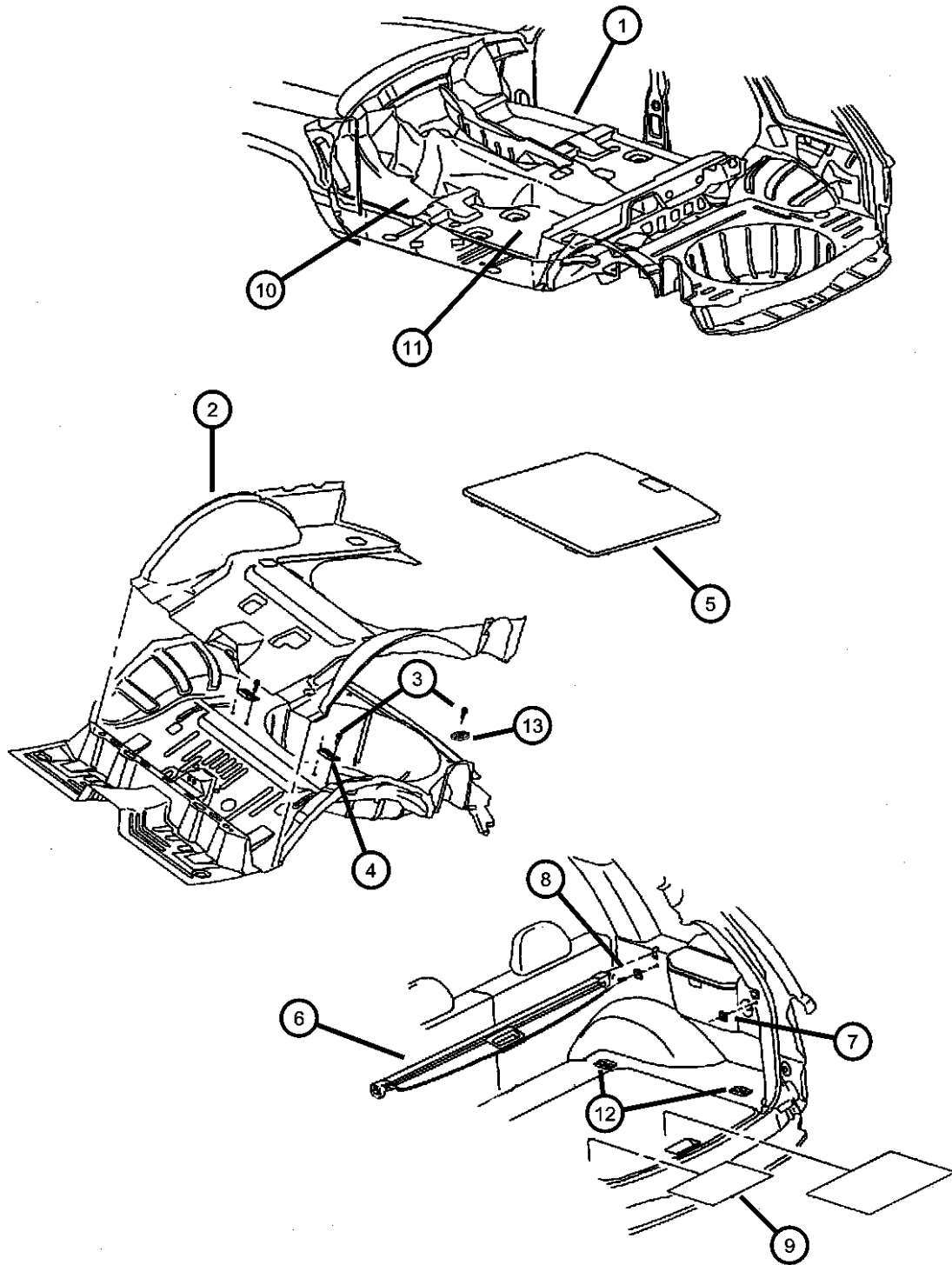
GRAND CHEROKEE (WJ)

SERIES	LINE	BODY	ENGINE	TRANSMISSION
H = Laredo	T = JEEP - 2WD	74 = SPORT UTILITY 4-DR	ERH = ENGINE - 4.0L POWER TECH I-6	DGK = TRANSMISSION - 4-SPD. AUTOMATIC, 42RE
P = Limited	J = JEEP - 4WD		EVA = ENGINE- 4.7L V8 MPI	DGQ = TRANSMISSION-5SPD AUTOMATIC 5-45RFE DGO = ALL AUTOMATIC TRANSMISSIONS

AR = use ase required - = Non illustrated part

**Carpet and Insulation
Figure IWJ-310**

ITEM	PART NUMBER	QTY	LINE	SERIES	BODY	ENGINE	TRANS	TRIM	DESCRIPTION
	82204404	1	J, T	H, P	74				[K5], Black Rubber
	82204405	1	J, T	H, P	74				[L5], Black Rubber
	82204412	1						*O0	[AZ], Carpeted With Jeep Logo
	82204413	1	J, T	H, P	74				[K5], Carpeted With Jeep Logo
	82204414	1						*O0	[L5], Carpeted With Jeep Logo
	82204573	1	J, T	H, P	74				[AZ], Carpeted
	82204574	1	J, T	H, P	74				[L5], Carpeted
	82204575	1	J, T	H, P	74				[K5], Carpeted
	82206492	1			74			*O0	[T5], Carpeted With Jeep Logo
12	05015592AA	4						*O0	LOOP, Cargo Tie Down
13	55196832AB	2							RETAINER, Dual Lock
-14	55196834AA	1						*O0	CLIP, Carpet



GRAND CHEROKEE (WJ)

SERIES LINE
H = Laredo T = JEEP - 2WD
P = Limited J = JEEP - 4WD

BODY
74 = SPORT UTILITY 4-DR

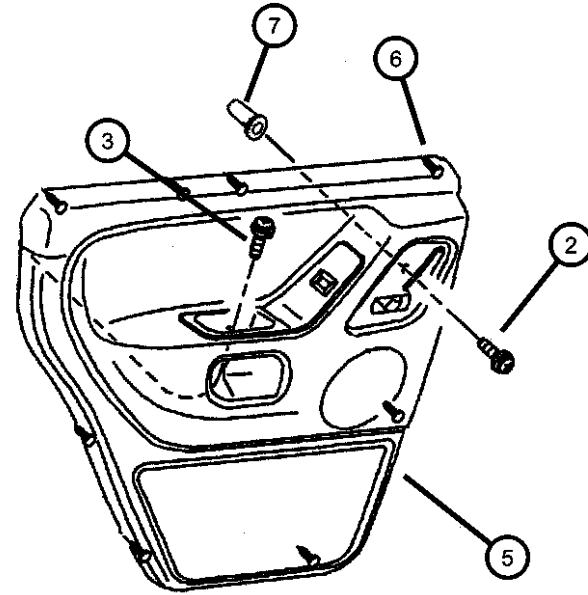
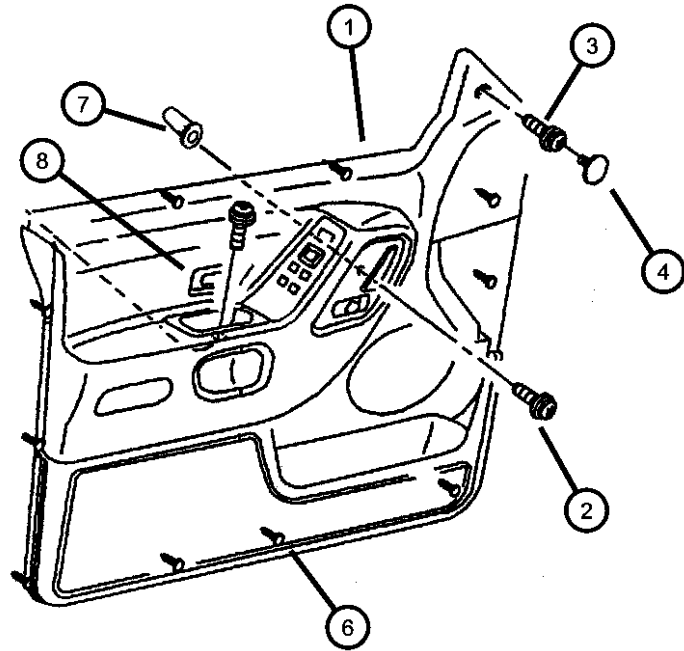
ENGINE
ERH = ENGINE - 4.0L
POWER TECH I-6
EVA = ENGINE- 4.7L V8 MPI

TRANSMISSION
DGK = TRANSMISSION - 4-SPD.
AUTOMATIC, 42RE
DGQ = TRANSMISSION-5SPD
AUTOMATIC 5-45RFE
DGO = ALL AUTOMATIC
TRANSMISSIONS

AR = use ase required - = Non illustrated part

2001 WJ

Door Trim Panels
Figure IWJ-410



ITEM	PART NUMBER	QTY	LINE	SERIES	BODY	ENGINE	TRANS	TRIM	DESCRIPTION
1									PANEL, Front Door Trim
	0TM021AZAA	1		H				*00	[AZ], Right
	0TM021L5AA	1		H				*00	[L5], Right
	0TM021T5AA	1		H				*00	[T5], Right
	0TM031AZAA	1		H				*00	[AZ], Left
	0TM031L5AA	1		H				*00	[L5], Left
	0TM031T5AA	1		H				*00	[T5], Left
	0TM041AZAA	1		H				*00	[AZ], With Infinity, Right
	0TM041L5AA	1		H				*00	[L5], With Infinity, Right
	0TM041T5AA	1		H				*00	[T5], With Infinity, Right
	0TM051AZAA	1		H				*00	[AZ], With Infinity, Left
	0TM051L5AA	1		H				*00	[L5], With Infinity, Left
	0TM051T5AA	1		H				*00	[T5], With Infinity, Left
	0UG521AZAA	1		P				*00	[AZ, A2], Right
	0UG521L5AA	1		P				*00	[L5], Right
	0UG521T5AA	1		P				*00	[T5], Right
	0UG571AZAA	1		P				*00	[AZ, A2], Left
	0UG571L5AA	1		P				*00	[L5], Left
	0UG571T5AA	1		P				*00	[T5], Left
2	0UG571T5AA	1							SCREW, M5X0.8X16.00, (NOT SERVICED),
3	06032723	4							SCREW, Self Tapping, M4.2x1.69x19.05
4									PLUG, Door Trim Panel
	5FC11LAZ	2						*00	[AZ, A2]
	5FC11WL8	2						*00	[L5]
	5FC11XTM	2						*00	[T5]
5									PANEL, Rear Door Trim
	0TM081AZAA	1		H				*00	[AZ], Right
	0TM081L5AA	1		H				*00	[L5], Right
	0TM081T5AA	1		H				*00	[T5], Right
	0TM091AZAA	1		H				*00	[AZ], Left
	0TM091L5AA	1		H				*00	[L5], Left
	0TM091T5AA	1		H				*00	[T5], Left
	0UD661AZAA	1		P				*00	[AZ, A2], Right

GRAND CHEROKEE (WJ)

SERIES LINE
H = Laredo T = JEEP - 2WD
P = Limited J = JEEP - 4WD

BODY
74 = SPORT UTILITY 4-DR

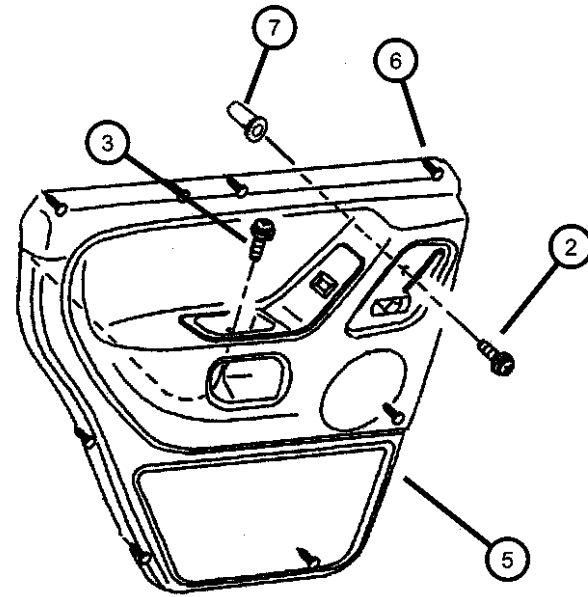
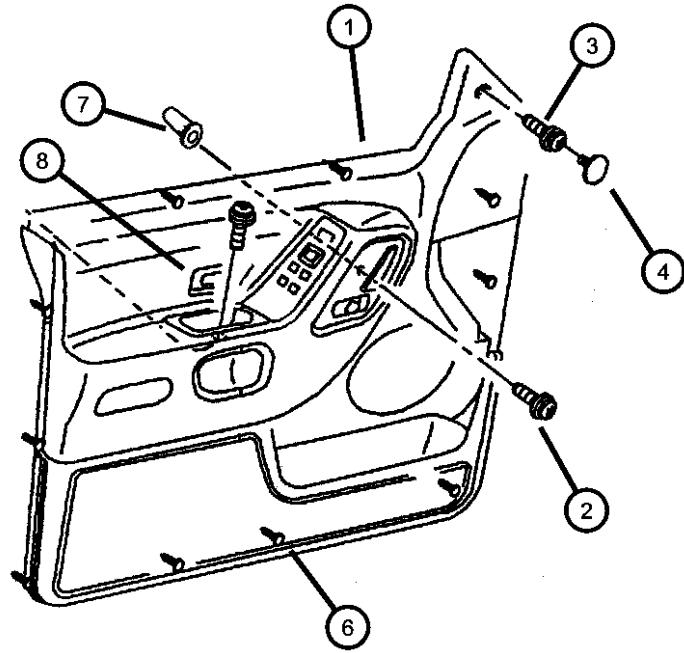
ENGINE
ERH = ENGINE - 4.0L
POWER TECH I-6
EVA = ENGINE- 4.7L V8 MPI

TRANSMISSION
DGK = TRANSMISSION - 4-SPD.
AUTOMATIC, 42RE
DGQ = TRANSMISSION-5SPD
AUTOMATIC 5-45RFE
DGO = ALL AUTOMATIC
TRANSMISSIONS

AR = use ase required - = Non illustrated part

2001 WJ

Door Trim Panels
Figure IWJ-410



ITEM	PART NUMBER	QTY	LINE	SERIES	BODY	ENGINE	TRANS	TRIM	DESCRIPTION
	0UD661L5AA	1		P				*00	[L5], Right
	0UD661T5AA	1		P				*00	[T5], Right
	0UD671AZAA	1		P				*00	[AZ, A2], Left
	0UD671L5AA	1		P				*00	[L5], Left
	0UD671T5AA	1		P				*00	[T5], Left
6									FASTENER, Door Trim Panel
	06503204	11		H				*00	Front, Door
		11		P				*00	Front, Door
		9		P				*00	Rear, Door
		9		H				*00	Rear, Door
7	06505201AA	2							NUT
8									BEZEL, Switch, Memory
	0UH631AZAA	1		P				*00	[A2, A2]
	0UH631L5AA	1		P				*00	[L5]
	0UH631T5AA	1		P				*00	[T5]

GRAND CHEROKEE (WJ)

SERIES LINE
H = Laredo T = JEEP - 2WD
P = Limited J = JEEP - 4WD

BODY
74 = SPORT UTILITY 4-DR

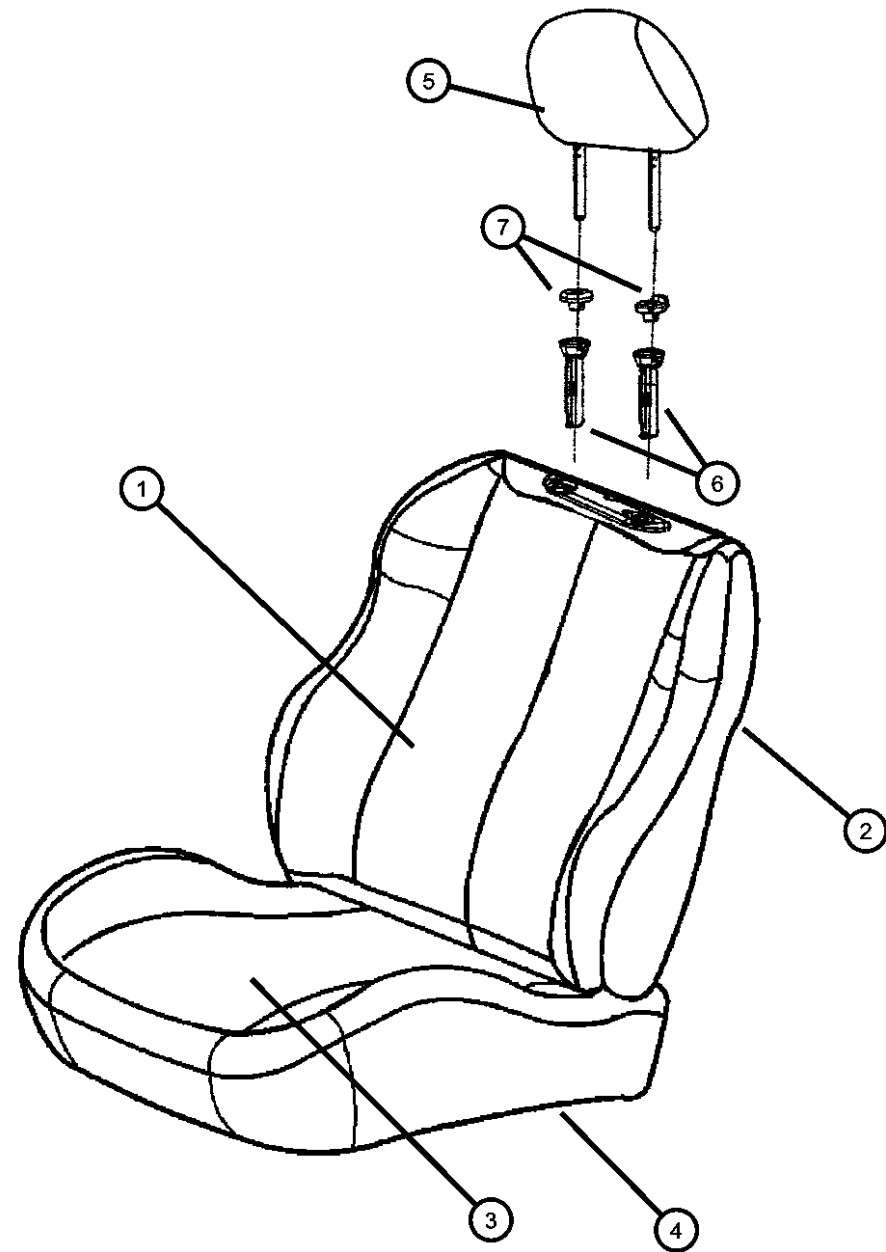
ENGINE
ERH = ENGINE - 4.0L
POWER TECH I-6
EVA = ENGINE- 4.7L V8 MPI

TRANSMISSION
DGK = TRANSMISSION - 4-SPD.
AUTOMATIC, 42RE
DGQ = TRANSMISSION-5SPD
AUTOMATIC 5-45RFE
DGO = ALL AUTOMATIC
TRANSMISSIONS

AR = use ase required - = Non illustrated part

2001 WJ

**Front Seat, Cloth, Trim Code [H7]
Figure IWJ-510**



ITEM	PART NUMBER	QTY	LINE	SERIES	BODY	ENGINE	TRANS	TRIM	DESCRIPTION
1									COVER, Front Seat Back
	0WG371AZAA	1						*H7	[AZ], After 12-7-00
	0WG371L5AA	1						*H7	[L5], After 12-7-00
	0WG371T5AA	1						*H7	[T5], After 12-7-00
	1AD711AZAA	1						*H7	[AZ], Up to 12-7-00
	1AD711L5AA	1						*H7	[L5], Up to 12-7-00
	1AD711T5AA	1						*H7	[T5], Up to 12-7-00
2									BACK, Front Seat
	0WG381AZAA	1						*H7	[AZ], After 12-7-00, Right
	0WG381L5AA	1						*H7	[L5], After 12-7-00, Right
	0WG381T5AA	1						*H7	[T5], After 12-7-00, Right
	0WG391AZAA	1						*H7	[AZ], After 12-7-00, Left
	0WG391L5AA	1						*H7	[L5], After 12-7-00, Left
	0WG391T5AA	1						*H7	[T5], After 12-7-00, Left
	1AD741AZAA	1						*H7	[AZ], Up to 12-7-00, Right
	1AD741L5AA	1						*H7	[L5], Up to 12-7-00, Right
	1AD741T5AA	1						*H7	[T5], Up to 12-7-00, Right
	1AD751AZAA	1						*H7	[AZ], Up to 12-7-00, Left
	1AD751L5AA	1						*H7	[L5], Up to 12-7-00, Left
	1AD751T5AA	1						*H7	[T5], Up to 12-7-00, Left
3									COVER AND PAD, Cushion
	0TY721AZAA	1						*H7	[AZ], Right
	0TY721L5AA	1						*H7	[L5], Right
	0TY721T5AA	1						*H7	[T5], Right
	0TY731AZAA	1						*H7	[AZ], Left
	0TY731L5AA	1						*H7	[L5], Left
	0TY731T5AA	1						*H7	[T5], Left
4									FRAME, Front Seat
	04856470	1						*H7	Right
	04856471	1						*H7	Left
5									HEADREST, Front
	0TH691AZAA	2						*H7	[AZ]
	0TH691L5AA	2						*H7	[L5]
	0TH691T5AA	2						*H7	[T5]

GRAND CHEROKEE (WJ)

SERIES LINE
H = Laredo T = JEEP - 2WD
P = Limited J = JEEP - 4WD

BODY
74 = SPORT UTILITY 4-DR

ENGINE
ERH = ENGINE - 4.0L
POWER TECH I-6
EVA = ENGINE- 4.7L V8 MPI

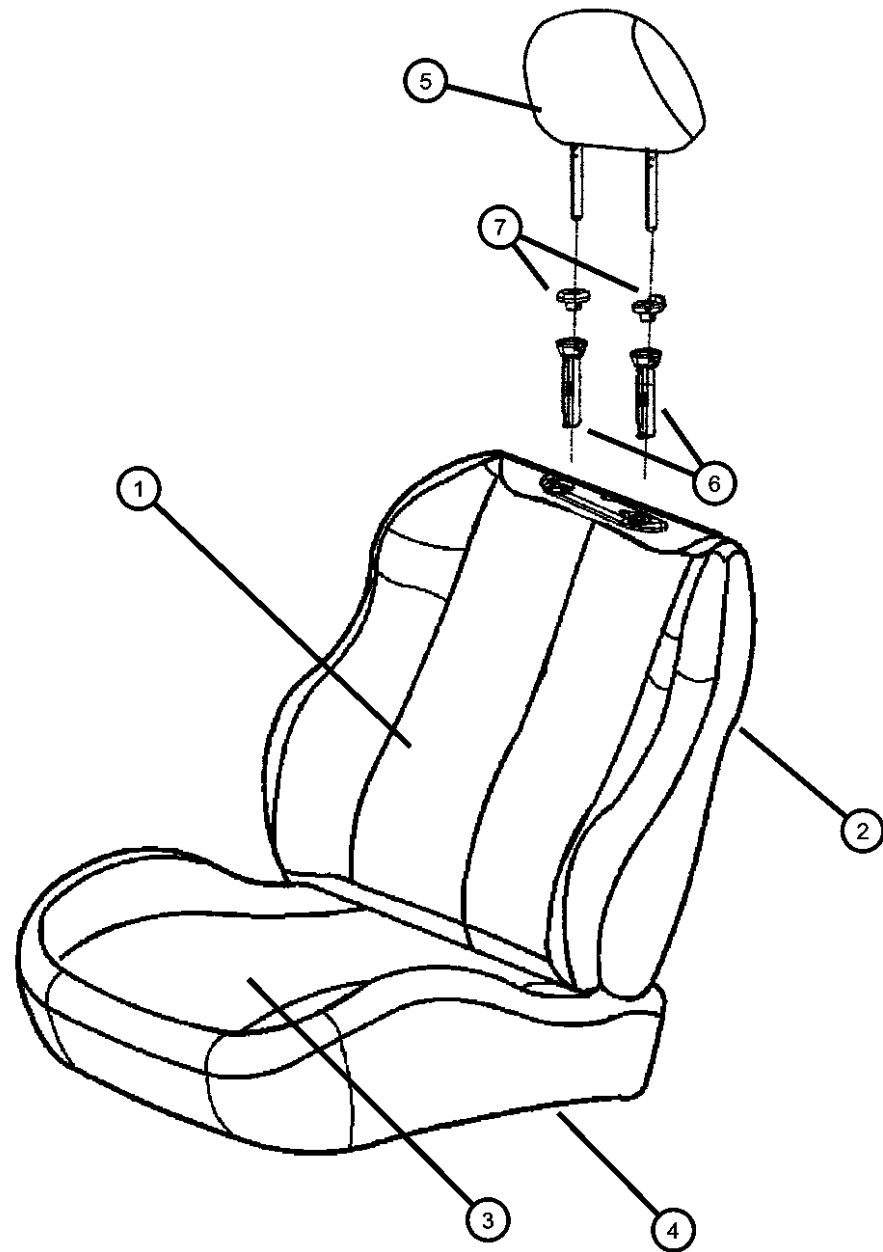
TRANSMISSION
DGK = TRANSMISSION - 4-SPD.
AUTOMATIC, 42RE
DQG = TRANSMISSION-5SPD
AUTOMATIC 5-45RFE
DGO = ALL AUTOMATIC
TRANSMISSIONS

AR = use ase required - = Non illustrated part

2001 WJ

**Front Seat, Cloth, Trim Code [H7]
Figure IWJ-510**

ITEM	PART NUMBER	QTY	LINE	SERIES	BODY	ENGINE	TRANS	TRIM	DESCRIPTION
6	05013152AA	2						*H7	CYLINDER, Headrest
7									COVER, Headrest Sleeve
	0UK041AZAA	1						*H7	[AZ], Without Button, Right
	0UK041L5AA	1						*H7	[L5], Without Button, Right
	0UK041T5AA	1						*H7	[T5], Without Button, Right
	0UK051AZAA	1						*H7	[AZ], With Button, Left
	0UK051L5AA	1						*H7	[L5], With Button, Left
	0UK051T5AA	1						*H7	[T5], With Button, Left
-8	04740415	1							EXTENDER, Seat Belt



GRAND CHEROKEE (WJ)

SERIES LINE
H = Laredo T = JEEP - 2WD
P = Limited J = JEEP - 4WD

BODY
74 = SPORT UTILITY 4-DR

ENGINE
ERH = ENGINE - 4.0L
POWER TECH I-6
EVA = ENGINE- 4.7L V8 MPI

TRANSMISSION
DGK = TRANSMISSION - 4-SPD.
AUTOMATIC, 42RE
DGQ = TRANSMISSION-5SPD
AUTOMATIC 5-45RFE
DGO = ALL AUTOMATIC
TRANSMISSIONS

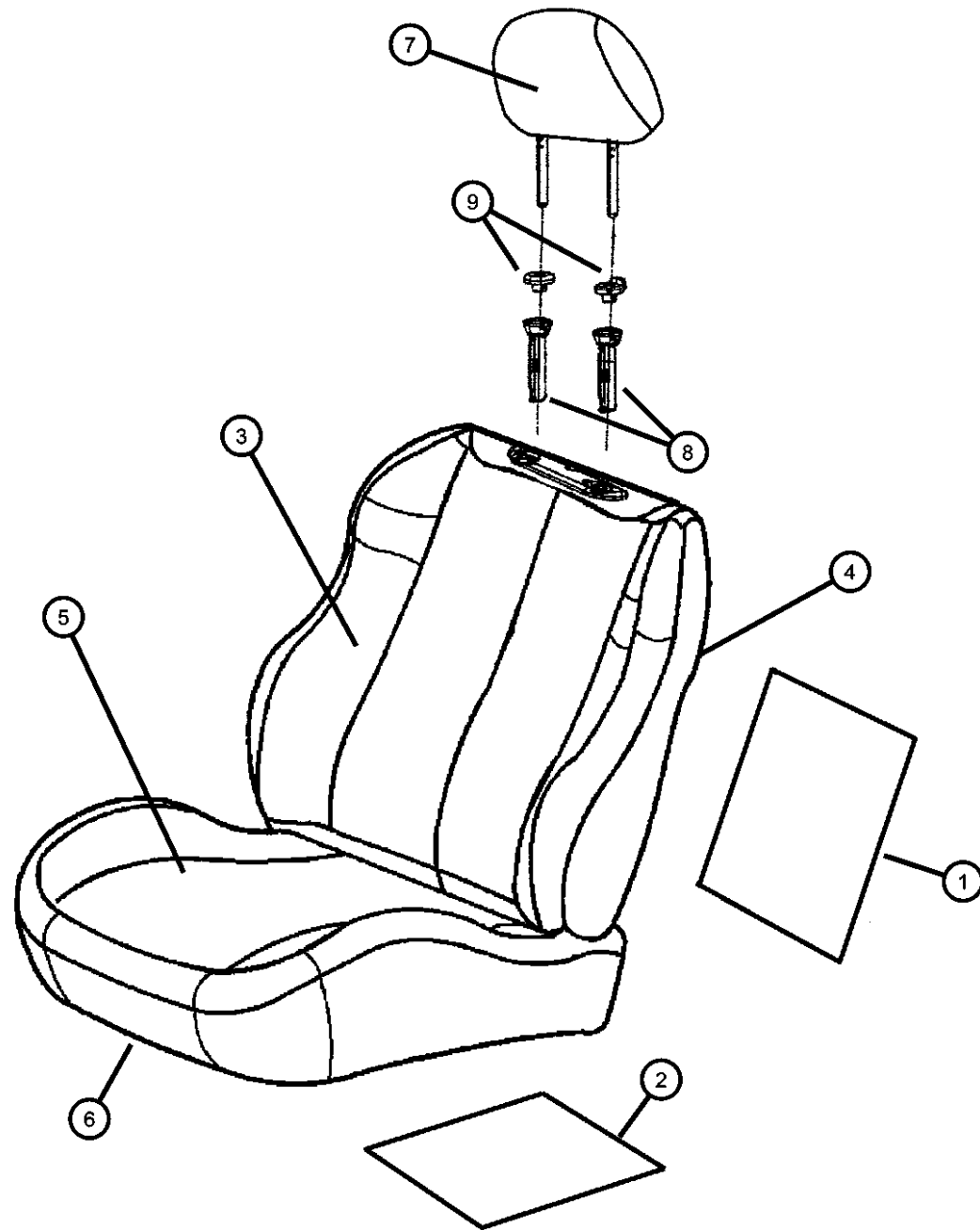
AR = use ase required - = Non illustrated part

2001 WJ

**Front Seat, Leather, Trim Code [FL]
Figure IWJ-520**

ITEM	PART NUMBER	QTY	LINE	SERIES	BODY	ENGINE	TRANS	TRIM	DESCRIPTION
------	-------------	-----	------	--------	------	--------	-------	------	-------------

Note: Sales Codes
 [JP2]= Power Seats 10-Way Power With Map Pocket.
 [JPX] = Power Heated



1	05072485AA	1						*FL	HEATER, Pad, Peel and Stick, After 10/1/00, Seat Back
2	05072486AA	1						*FL	HEATER, Pad, Peel and Stick, After 10/1/00, Cushion
3	0TU161AZAA	2						*FL	COVER, Front Seat Back
	0TU161L5AA	2						*FL	[AZ], Non-Heated, Sales Code [JPX], Up to 10/01/00, Heated and Non-Heated After 10/01/00
	0TU161T5AA	2						*FL	[L5], Non-Heated, Sales Code [JPX], Up to 10/01/00, Heated and Non-Heated After 10/01/00
	0TZ551AZAA	2						*FL	[T5], Non-Heated, Sales Code [JPX], Up to 10/01/00, Heated and Non-Heated After 10/01/00
	0TZ551L5AA	2						*FL	[AZ], Heated, Sales Code [JPX], Up to 10/01/00, With Sewn-In Heater Element
	0TZ551T5AA	2						*FL	[L5], Heated, Sales Code [JPX], Up to 10/01/00, With Sewn-In Heater Element
4	0TZ421AZAA	1						*FL	[AZ], With Map Pocket, Sales Code [JP2], Right
	0TZ421L5AA	1						*FL	[L5], With Map Pocket, Sales Code [JP2], Right
	0TZ421T5AA	1						*FL	[T5], With Map Pocket, Sales Code [JP2], Right
	0TZ431AZAA	1						*FL	[AZ], With Map Pocket, Sales Code [JP2], Left
	0TZ431L5AA	1						*FL	[L5], With Map Pocket, Sales Code [JP2], Left
	0TZ431T5AA	1						*FL	[T5], With Map Pocket, Sales Code [JP2], Left
	0TZ441AZAA	1						*FL	[AZ], Heated, Sales Code [JPX], Up to 10/01/00, With Sewn-In Heater Element, Right
	0TZ441L5AA	1						*FL	[L5], Heated, Sales Code [JPX], Up to 10/01/00, With Sewn-In Heater Element, Right

GRAND CHEROKEE (WJ)

SERIES LINE
 H = Laredo T = JEEP - 2WD
 P = Limited J = JEEP - 4WD

BODY
 74 = SPORT UTILITY 4-DR

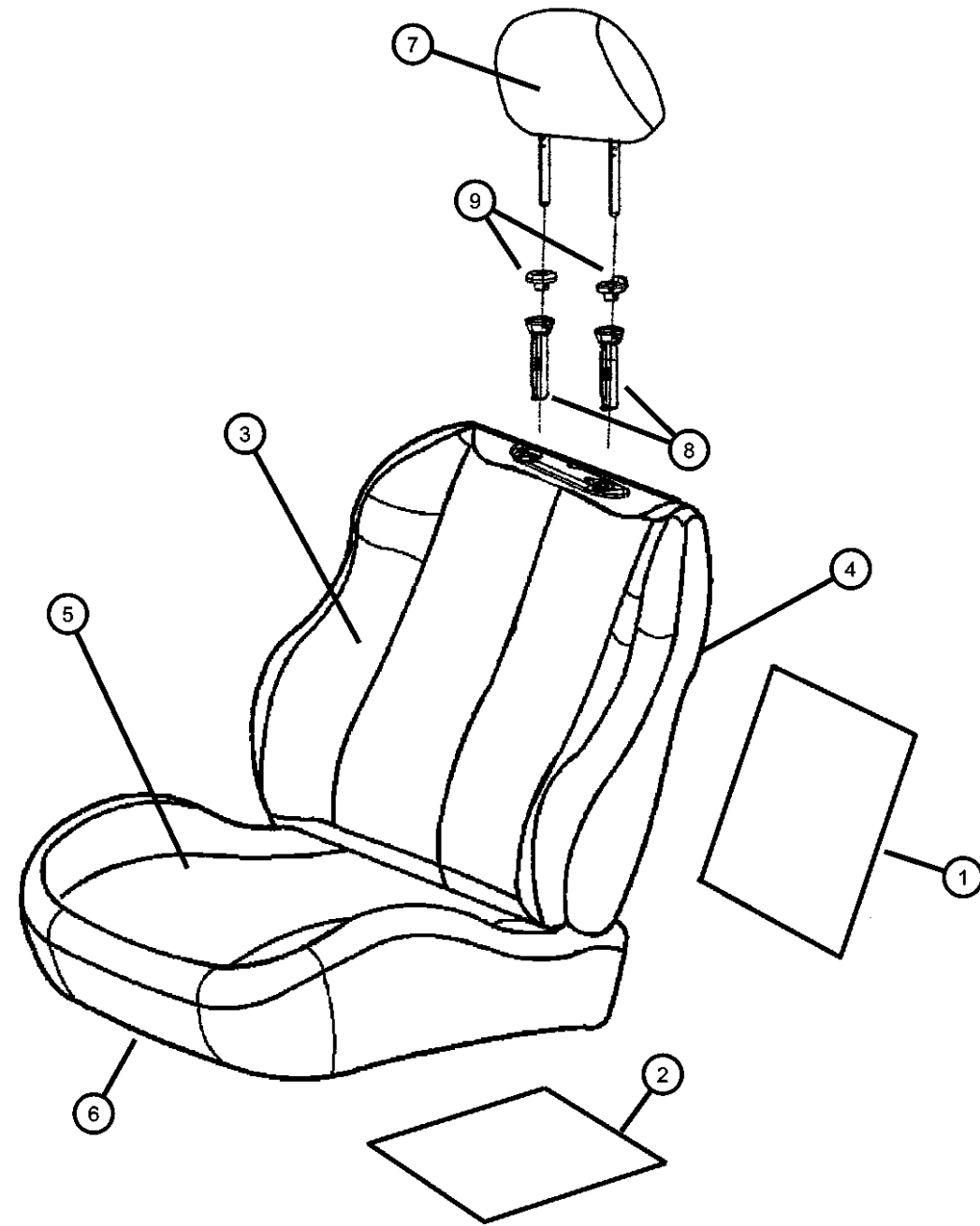
ENGINE
 ERH = ENGINE - 4.0L
 POWER TECH I-6
 EVA = ENGINE- 4.7L V8 MPI

TRANSMISSION
 DGK = TRANSMISSION - 4-SPD.
 AUTOMATIC, 42RE
 DGQ = TRANSMISSION-5SPD
 AUTOMATIC 5-45RFE
 DGO = ALL AUTOMATIC
 TRANSMISSIONS

AR = use ase required - = Non illustrated part

2001 WJ

**Front Seat, Leather, Trim Code [FL]
Figure IWJ-520**



ITEM	PART NUMBER	QTY	LINE	SERIES	BODY	ENGINE	TRANS	TRIM	DESCRIPTION
	0TZ441T5AA	1						*FL	[T5], Heated, Sales Code [JPX], Up to 10/01/00, With Sewn-In Heater Element, Right
	0TZ451AZAA	1						*FL	[AZ], Heated, Sales Code [JPX], Up to 10/01/00, With Sewn-In Heater Element, Left
	0TZ451L5AA	1						*FL	[L5], Heated, Sales Code [JPX], Up to 10/01/00, With Sewn-In Heater Element, Left
	0TZ451T5AA	1						*FL	[T5], Heated, Sales Code [JPX], Up to 10/01/00, With Sewn-In Heater Element, Left
	0WB081AZAA	1						*FL	[AZ], Heated, Sales Code [JPX], After 10/01/00, With Peel and Stick Heater Pad, Right
	0WB081L5AA	1						*FL	[L5], Heated, Sales Code [JPX], After 10/01/00, With Peel and Stick Heater Pad, Right
	0WB081T5AA	1						*FL	[T5], Heated, Sales Code [JPX], After 10/01/00, With Peel and Stick Heater Pad, Right
	0WB091AZAA	1						*FL	[AZ], Heated, Sales Code [JPX], After 10/01/00, With Peel and Stick Heater Pad, Left
	0WB091L5AA	1						*FL	[L5], Heated, Sales Code [JPX], After 10/01/00, With Peel and Stick Heater Pad, Left
	0WB091T5AA	1						*FL	[T5], Heated, Sales Code [JPX], After 10/01/00, With Peel and Stick Heater Pad, Left
5									COVER AND PAD, Cushion
	0TU181AZAA	1						*FL	[AZ], Non-Heated, Right
	0TU181L5AA	1						*FL	[L5], Non-Heated, Right
	0TU181T5AA	1						*FL	[T5], Non-Heated, Right
	0TU191AZAA	1						*FL	[AZ], Non-Heated, Left
	0TU191L5AA	1						*FL	[L5], Non-Heated, Left
	0TU191T5AA	1						*FL	[T5], Non-Heated, Left
	0TZ321AZAA	1						*FL	[AZ], Heated, Sales Code [JPX], Up to 10/01/00, With Sewn-In Heater Element, Right
	0TZ321L5AA	1						*FL	[L5], Heated, Sales Code [JPX], Up to 10/01/00, With Sewn-In Heater Element, Right

GRAND CHEROKEE (WJ)

SERIES LINE
H = Laredo T = JEEP - 2WD
P = Limited J = JEEP - 4WD

BODY
74 = SPORT UTILITY 4-DR

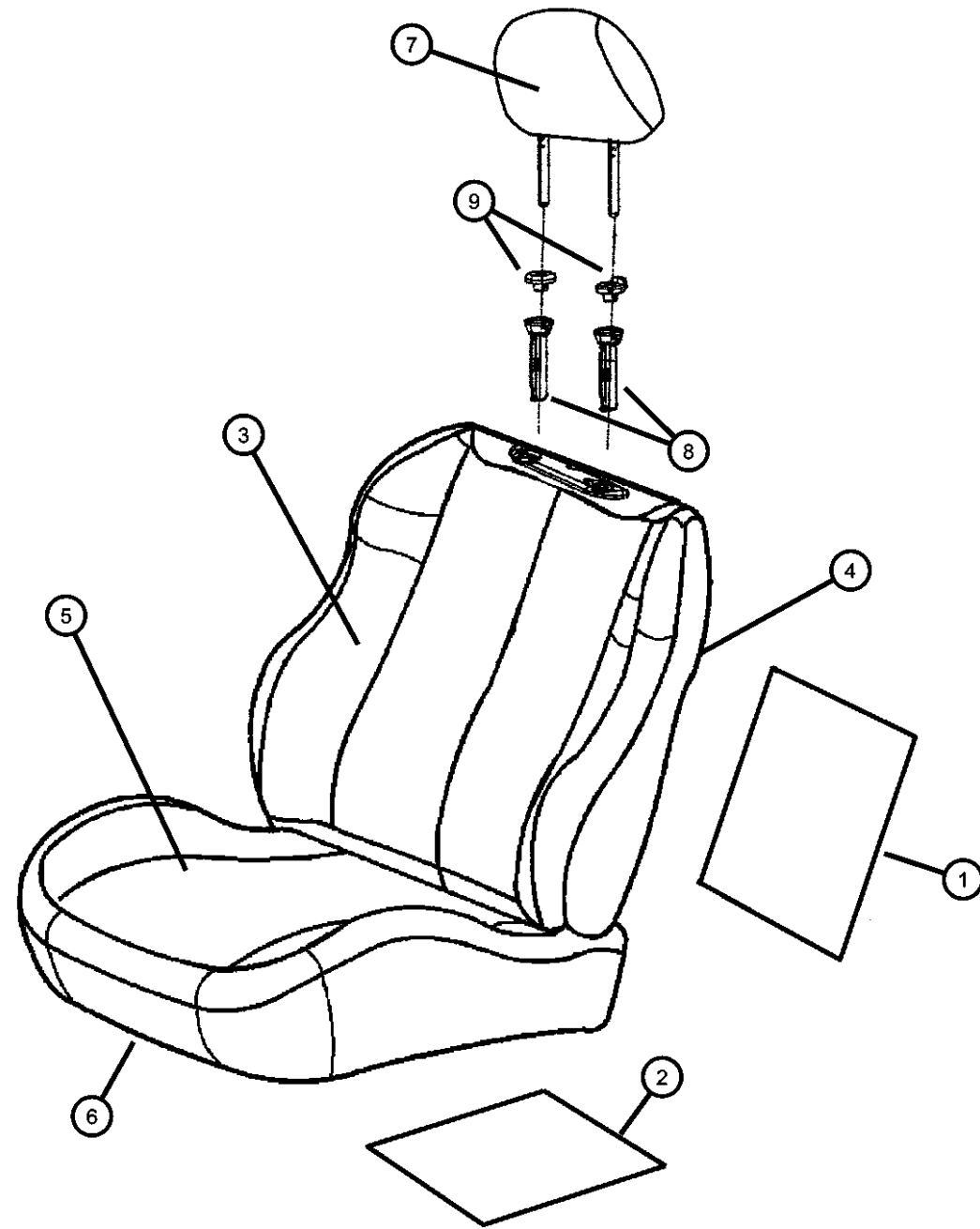
ENGINE
ERH = ENGINE - 4.0L POWER TECH I-6
EVA = ENGINE- 4.7L V8 MPI

TRANSMISSION
DGK = TRANSMISSION - 4-SPD. AUTOMATIC, 42RE
DGQ = TRANSMISSION-5SPD AUTOMATIC 5-45RFE
DGO = ALL AUTOMATIC TRANSMISSIONS

AR = use ase required - = Non illustrated part

2001 WJ

**Front Seat, Leather, Trim Code [FL]
Figure IWJ-520**



ITEM	PART NUMBER	QTY	LINE	SERIES	BODY	ENGINE	TRANS	TRIM	DESCRIPTION
	0TZ321T5AA	1						*FL	[T5], Heated, Sales Code [JPX], Up to 10/01/00, With Sewn-In Heater Element, Right
	0TZ331AZAA	1						*FL	[AZ], Heated, Sales Code [JPX], Up to 10/01/00, With Sewn-In Heater Element, Left
	0TZ331L5AA	1						*FL	[L5], Heated, Sales Code [JPX], Up to 10/01/00, With Sewn-In Heater Element, Left
	0TZ331T5AA	1						*FL	[T5], Heated, Sales Code [JPX], Up to 10/01/00, With Sewn-In Heater Element, Left
	0WB101AZAA	1						*FL	[AZ], Heated, Sales Code [JPX], After 10/01/00, With Peel and Stick Heater Pad, Right
	0WB101L5AA	1						*FL	[L5], Heated, Sales Code [JPX], After 10/01/00, With Peel and Stick Heater Pad, Right
	0WB101T5AA	1						*FL	[T5], Heated, Sales Code [JPX], After 10/01/00, With Peel and Stick Heater Pad, Right
	0WB111AZAA	1						*FL	[AZ], Heated, Sales Code [JPX], After 10/01/00, With Peel and Stick Heater Pad, Left
	0WB111L5AA	1						*FL	[L5], Heated, Sales Code [JPX], After 10/01/00, With Peel and Stick Heater Pad, Left
	0WB111T5AA	1						*FL	[T5], Heated, Sales Code [JPX], After 10/01/00, With Peel and Stick Heater Pad, Left
6									FRAME, Front Seat
	04856470	1						*FL	Right
	04856471	1						*FL	Left
7									HEADREST, Front
	0TH721AZAA	2						*FL	[AZ]
	0TH721L5AA	2						*FL	[L5]
	0TH721T5AA	2						*FL	[T5]
8	05013152AA	2						*FL	CYLINDER, Headrest
9									COVER, Headrest Sleeve
	0UK041AZAA	1						*FL	[AZ], Without Button, Right
	0UK041L5AA	1						*FL	, Right
	0UK041T5AA	1						*FL	[T5], Without Button, Right

GRAND CHEROKEE (WJ)

SERIES LINE
H = Laredo T = JEEP - 2WD
P = Limited J = JEEP - 4WD

BODY
74 = SPORT UTILITY 4-DR

ENGINE
ERH = ENGINE - 4.0L
POWER TECH I-6
EVA = ENGINE- 4.7L V8 MPI

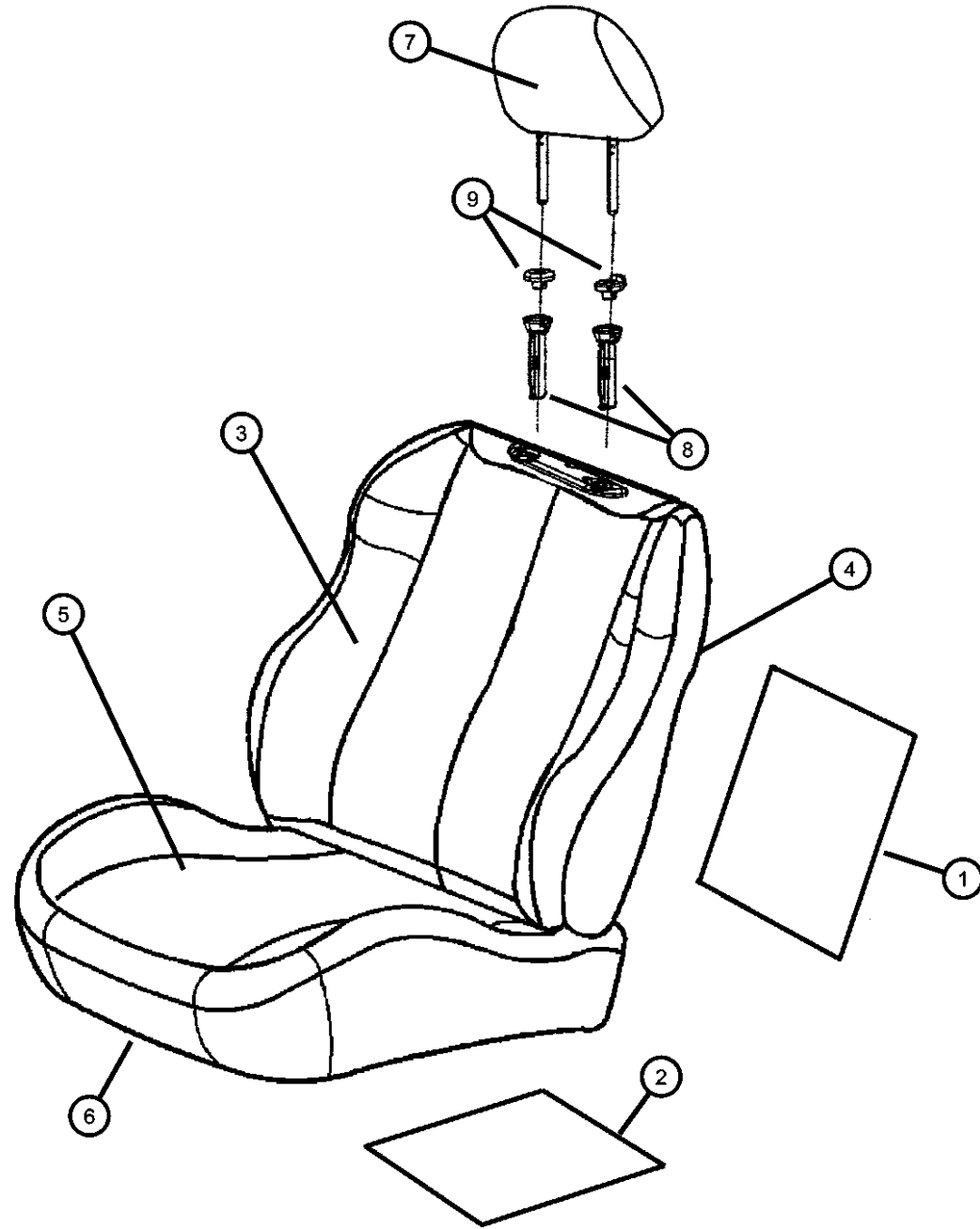
TRANSMISSION
DGK = TRANSMISSION - 4-SPD.
AUTOMATIC, 42RE
DGQ = TRANSMISSION-5SPD
AUTOMATIC 5-45RFE
DGO = ALL AUTOMATIC
TRANSMISSIONS

AR = use ase required - = Non illustrated part

2001 WJ

**Front Seat, Leather, Trim Code [FL]
Figure IWJ-520**

ITEM	PART NUMBER	QTY	LINE	SERIES	BODY	ENGINE	TRANS	TRIM	DESCRIPTION
	0UK051AZAA	1						*FL	[AZ], With Button, Left
	0UK051L5AA	1						*FL	[L5], With Button, Left
	0UK051T5AA	1						*FL	[T5], With Button, Left
-10	04740415	1							EXTENDER, Seat Belt



GRAND CHEROKEE (WJ)

SERIES	LINE
H = Laredo	T = JEEP - 2WD
P = Limited	J = JEEP - 4WD

BODY
74 = SPORT UTILITY 4-DR

ENGINE
ERH = ENGINE - 4.0L POWER TECH I-6
EVA = ENGINE- 4.7L V8 MPI

TRANSMISSION
DGK = TRANSMISSION - 4-SPD. AUTOMATIC, 42RE
DGQ = TRANSMISSION-5SPD AUTOMATIC 5-45RFE
DGO = ALL AUTOMATIC TRANSMISSIONS

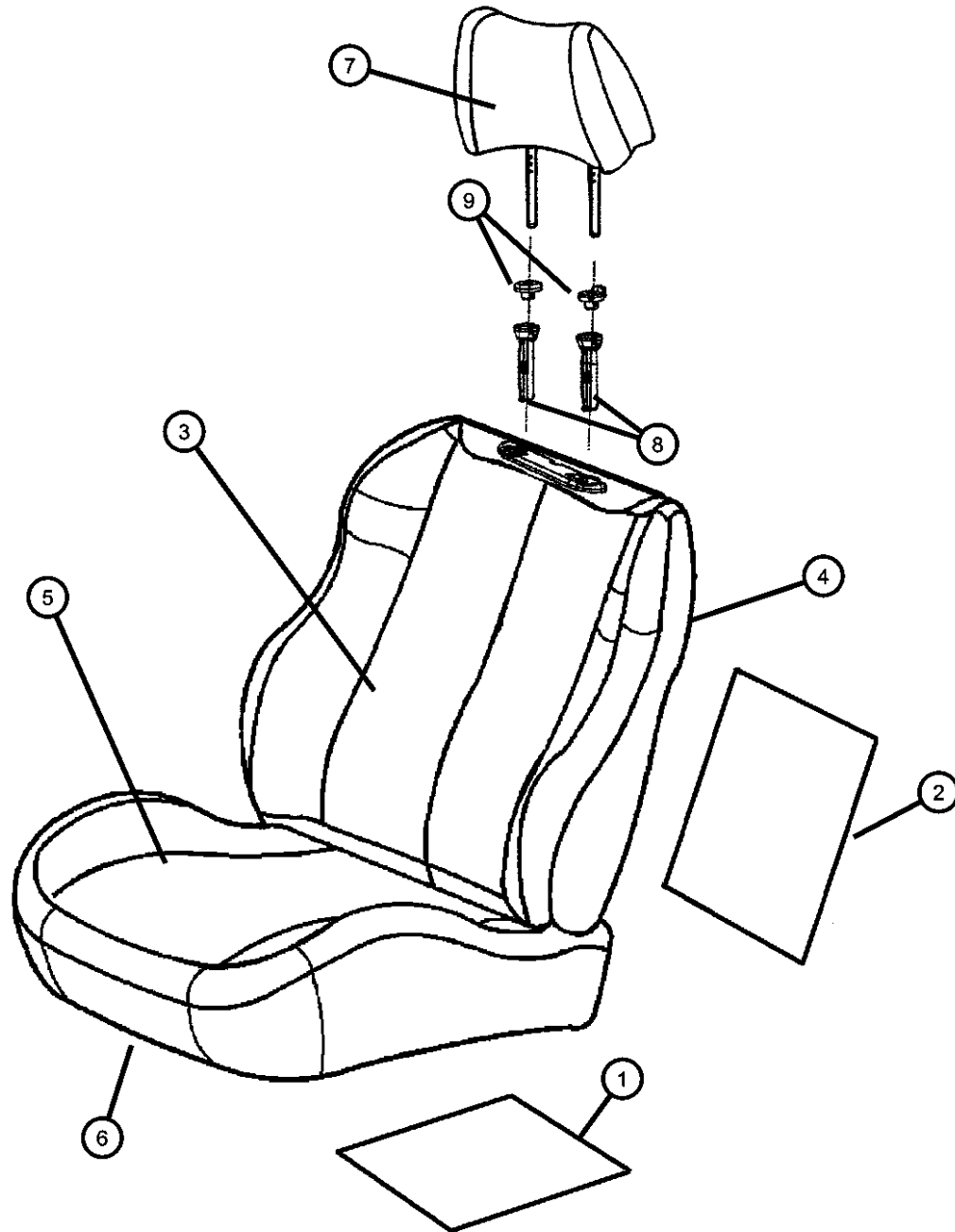
AR = use ase required - = Non illustrated part

2001 WJ

**Front Seat, Leather, Trim Code [EL]
Figure IWJ-530**

ITEM	PART NUMBER	QTY	LINE	SERIES	BODY	ENGINE	TRANS	TRIM	DESCRIPTION
------	-------------	-----	------	--------	------	--------	-------	------	-------------

Sales Codes:
[JTC] = Power 10-Way Memory.
[JTF] = Power 10-Way Heated Memory.



1	05072486AA	1						*EL	HEATER, Pad, Peel and Stick, After 10/1/00, Cushion
2	05072485AA	1						*EL	HEATER, Pad, Peel and Stick, After 10/1/00, Seat Back COVER, Front Seat Back
3	0UK061AZAA	2						*EL	[AZ], Heated, Sales Code, [JTF], Up to 10/01/00, With Sewn-In Heater Element
	0UK061L5AA	2						*EL	[L5], Heated, Sales Code, [JTF], Up to 10/01/00, With Sewn-In Heater Element
	0UK061T5AA	2						*EL	[T5], Heated, Sales Code, [JTF], Up to 10/01/00, With Sewn-In Heater Element
	0UK231AZAA	2						*EL	[AZ], Non-Heated, Sales Code, [JTC], Up to 10/01/00, Heated [JTF] and Non-Heated [JTC] From 10-1-00 to 4-2-01
	0UK231L5AA	2						*EL	[L5], Non-Heated, Sales Code, [JTC], Up to 10/01/00, Heated [JTF] and Non-Heated [JTC] From 10-1-00 to 4-2-01
	0UK231T5AA	2						*EL	[T5], Non-Heated, Sales Code, [JTC], Up to 10/01/00, Heated [JTF] and Non-Heated [JTC] From 10-1-00 to 4-2-01
	0WN521AZAA	2						*EL	[AZ], Non-Heated, Sales Code [JTC] and Heated Sales Code [JTF] After 4-2-01
	0WN521L5AA	2						*EL	[L5], Non-Heated, Sales Code [JTC] and Heated Sales Code [JTF] After 4-2-01
	0WN521T5AA	2						*EL	[T5], Non-Heated, Sales Code [JTC] and Heated Sales Code [JTF] After 4-2-01
	0WN52TL2AA	2						*EL	[A2], Non-Heated, Sales Code [JTC] and Heated Sales Code [JTF]
4	0UK021AZAA	1						*EL	BACK, Front Seat [AZ], Heated, Sales Code, [JTF], Up to 10/01/00, With Sewn-In Heater Element, Right

GRAND CHEROKEE (WJ)

SERIES LINE
H = Laredo T = JEEP - 2WD
P = Limited J = JEEP - 4WD

BODY
74 = SPORT UTILITY 4-DR

ENGINE
ERH = ENGINE - 4.0L
POWER TECH I-6
EVA = ENGINE- 4.7L V8 MPI

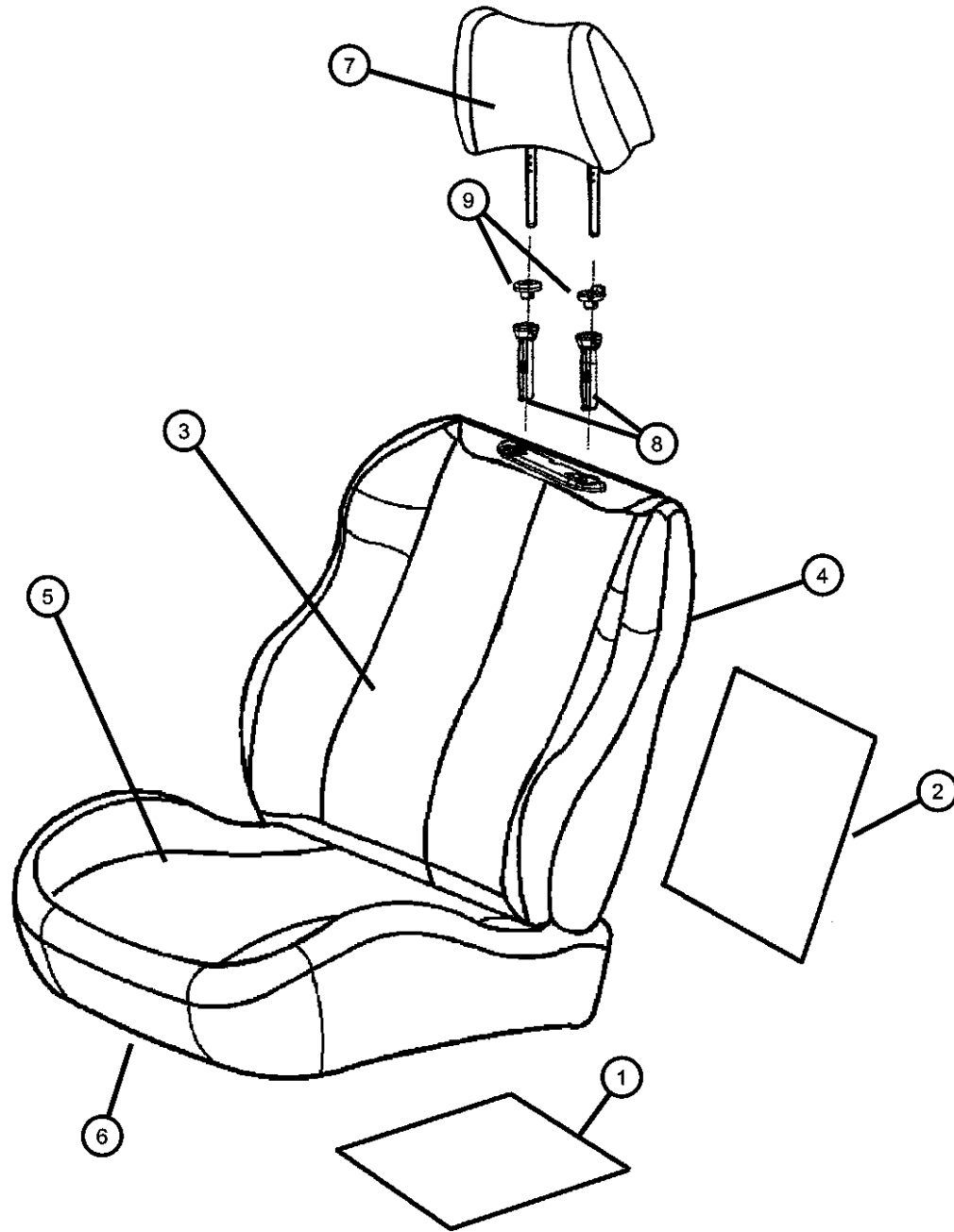
TRANSMISSION
DGK = TRANSMISSION - 4-SPD.
AUTOMATIC, 42RE
DGQ = TRANSMISSION-5SPD
AUTOMATIC 5-45RFE
DGO = ALL AUTOMATIC
TRANSMISSIONS

AR = use ase required - = Non illustrated part

2001 WJ

**Front Seat, Leather, Trim Code [EL]
Figure IWJ-530**

ITEM	PART NUMBER	QTY	LINE	SERIES	BODY	ENGINE	TRANS	TRIM	DESCRIPTION
	0UK021L5AA	1						*EL	[L5], Heated, Sales Code, [JTF], Up to 10/01/00, With Sewn-In Heater Element, Right
	0UK021T5AA	1						*EL	[T5], Heated, Sales Code, [JTF], Up to 10/01/00, With Sewn-In Heater Element, Right
	0UK031AZAA	1						*EL	[AZ], Heated, Sales Code, [JTF], Up to 10/01/00, With Sewn-In Heater Element, Left
	0UK031L5AA	1						*EL	[L5], Heated, Sales Code, [JTF], Up to 10/01/00, With Sewn-In Heater Element, Left
	0UK031T5AA	1						*EL	[T5], Heated, Sales Code, [JTF], Up to 10/01/00, With Sewn-In Heater Element, Left
	0UK201AZAA	1						*EL	[AZ], Non-Heated, Sales Code, [JTC], Up to 4-2-01, Right
	0UK201L5AA	1						*EL	[L5], Non-Heated, Sales Code, [JTC], Up to 4-2-01, Right
	0UK201T5AA	1						*EL	[T5], Non-Heated, Sales Code, [JTC], Up to 4-2-01, Right
	0UK211AZAA	1						*EL	[AZ], Non-Heated, Sales Code, [JTC], Up to 4-2-01, Left
	0UK211L5AA	1						*EL	[L5], Non-Heated, Sales Code, [JTC], Up to 4-2-01, Left
	0UK211T5AA	1						*EL	[T5], Non-Heated, Sales Code, [JTC], Up to 4-2-01, Left
	0WB141AZAA	1						*EL	[AZ], Heated, Sales Code, [JTF], After 10/01/00, Up to 4-2-01, With Peel and Stick Heater Pad, Right
	0WB141L5AA	1						*EL	[L5], Heated, Sales Code, [JTF], After 10/01/00, Up to 4-2-01, With Peel and Stick Heater Pad, Right
	0WB141T5AA	1						*EL	[T5], Heated, Sales Code, [JTF], After 10/01/00, Up to 4-2-01, With Peel and Stick Heater Pad, Right
	0WB151AZAA	1						*EL	[AZ], Heated, Sales Code, [JTF], After 10/01/00, Up to 4-2-01, With Peel and Stick Heater Pad, Left
	0WB151L5AA	1						*EL	[L5], Heated, Sales Code, [JTF], After 10/01/00, Up to 4-2-01, With Peel and Stick Heater Pad, Left



GRAND CHEROKEE (WJ)

SERIES LINE
H = Laredo T = JEEP - 2WD
P = Limited J = JEEP - 4WD

BODY
74 = SPORT UTILITY 4-DR

ENGINE
ERH = ENGINE - 4.0L
POWER TECH I-6
EVA = ENGINE- 4.7L V8 MPI

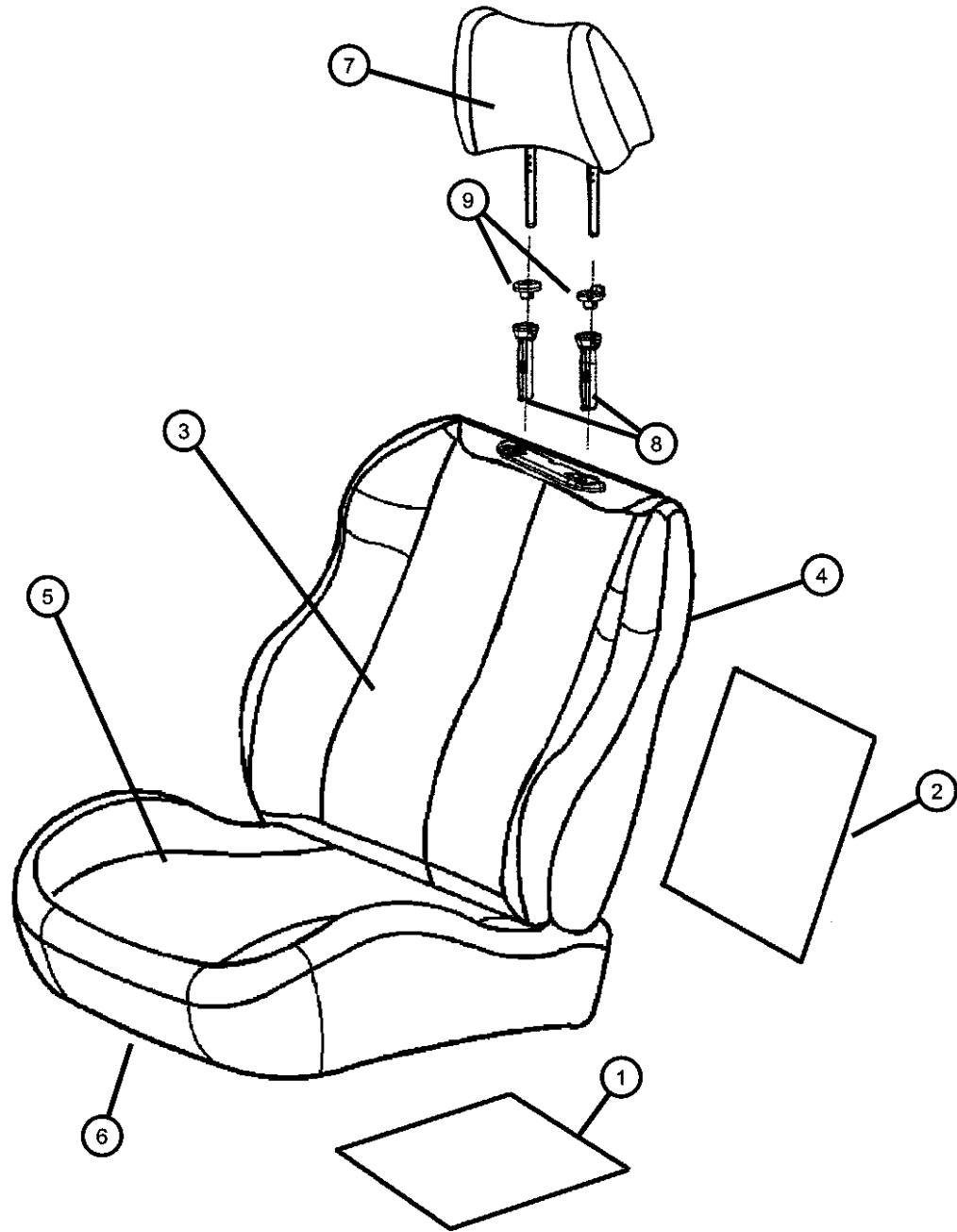
TRANSMISSION
DGK = TRANSMISSION - 4-SPD.
AUTOMATIC, 42RE
DGQ = TRANSMISSION-5SPD
AUTOMATIC 5-45RFE
DGO = ALL AUTOMATIC
TRANSMISSIONS

AR = use ase required - = Non illustrated part

2001 WJ

**Front Seat, Leather, Trim Code [EL]
Figure IWJ-530**

ITEM	PART NUMBER	QTY	LINE	SERIES	BODY	ENGINE	TRANS	TRIM	DESCRIPTION
	0WB151T5AA	1						*EL	T5], Heated, Sales Code, [JTF], After 10/01/00, Up to 4-2-01, With Peel and Stick Heater Pad, Left
	0WN481AZAA	1						*EL	[AZ], Non-Heated, Sales Code, [JTC], After 4-2-01, Right
	0WN481L5AA	1						*EL	[L5], Non-Heated, Sales Code, [JTC], After 4-2-01, Right
	0WN481T5AA	1						*EL	[T5], Non-Heated, Sales Code, [JTC], After 4-2-01, Right
	0WN48TL2AA	1						*EL	[A2], Non-Heated, Sales Code, [JTC], Right
	0WN491AZAA	1						*EL	[AZ], Non-Heated, Sales Code, [JTC], After 4-2-01, Left
	0WN491L5AA	1						*EL	[L5], Non-Heated, Sales Code, [JTC], After 4-2-01, Left
	0WN491T5AA	1						*EL	[T5], Non-Heated, Sales Code, [JTC], After 4-2-01, Left
	0WN49TL2AA	1						*EL	[A2], Non-Heated, Sales Code, [JTC], Left
	0WN501AZAA	1						*EL	[AZ], Heated, Sales Code, [JTF], After 4-2-01, With Peel and Stick Heater Pad, Right
	0WN501L5AA	1						*EL	[L5], Heated, Sales Code, [JTF], After 4-2-01, With Peel and Stick Heater Pad, Right
	0WN501T5AA	1						*EL	[T5], Heated, Sales Code, [JTF], After 4-2-01, With Peel and Stick Heater Pad, Right
	0WN50TL2AA	1						*EL	[A2], Heated, Sales Code, [JTF]With Peel and Stick Heater Pad, Right
	0WN511AZAA	1						*EL	[AZ], Heated, Sales Code, [JTF], After 4-2-01, With Peel and Stick Heater Pad, Left
	0WN511L5AA	1						*EL	[L5], Heated, Sales Code, [JTF], After 4-2-01, With Peel and Stick Heater Pad, Left
	0WN511T5AA	1						*EL	[T5], Heated, Sales Code, [JTF], After 4-2-01, With Peel and Stick Heater Pad, Left
	0WN51TL2AA	1						*EL	[A2], Heated, Sales Code, [JTF]With Peel and Stick Heater Pad, Left
5									COVER AND PAD, Cushion



GRAND CHEROKEE (WJ)

SERIES LINE
H = Laredo T = JEEP - 2WD
P = Limited J = JEEP - 4WD

BODY
74 = SPORT UTILITY 4-DR

ENGINE
ERH = ENGINE - 4.0L
POWER TECH I-6
EVA = ENGINE- 4.7L V8 MPI

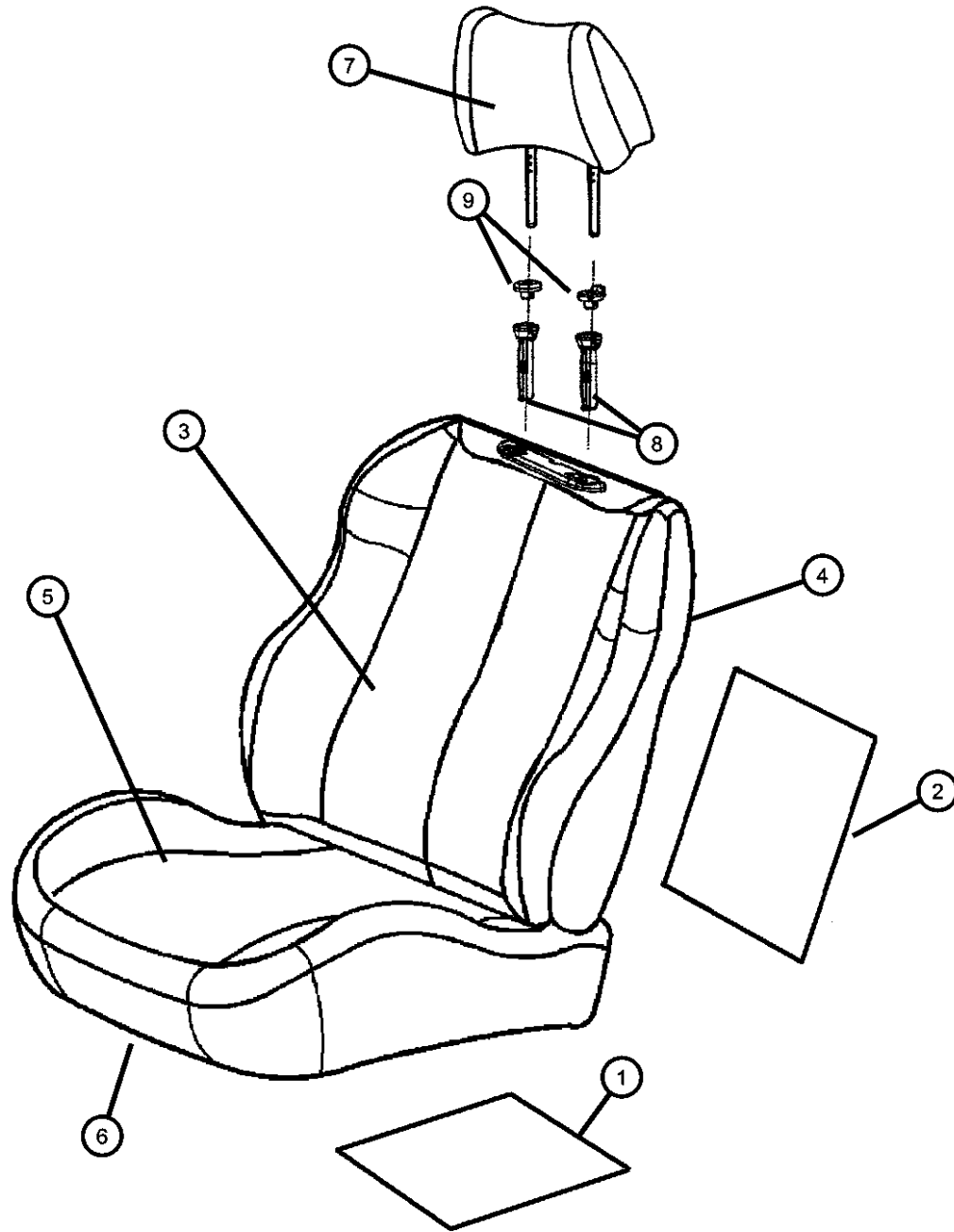
TRANSMISSION
DGK = TRANSMISSION - 4-SPD.
AUTOMATIC, 42RE
DGQ = TRANSMISSION-5SPD
AUTOMATIC 5-45RFE
DGO = ALL AUTOMATIC
TRANSMISSIONS

AR = use ase required - = Non illustrated part

2001 WJ

**Front Seat, Leather, Trim Code [EL]
Figure IWJ-530**

ITEM	PART NUMBER	QTY	LINE	SERIES	BODY	ENGINE	TRANS	TRIM	DESCRIPTION
	0UK001AZAA	1						*EL	[AZ], Heated, Sales Code, [JTF], Up to 10-01-00, With Sewn-In Heater Element, Right
	0UK001L5AA	1						*EL	[L5], Heated, Sales Code, [JTF], Up to 10-01-00, With Sewn-In Heater Element, Right
	0UK001T5AA	1						*EL	[T5], Heated, Sales Code, [JTF], Up to 10-01-00, With Sewn-In Heater Element, Right
	0UK011AZAA	1						*EL	[AZ], Heated, Sales Code, [JTF], Up to 10-01-00, With Sewn-In Heater Element, Left
	0UK011L5AA	1						*EL	[L5], Heated, Sales Code, [JTF], Up to 10-01-00, With Sewn-In Heater Element, Left
	0UK011T5AA	1						*EL	[T5], Heated, Sales Code, [JTF], Up to 10/01/00, With Sewn-In Heater Element, Left
	0UK181AZAA	1						*EL	[AZ], Non-Heated, Sales Code, [JTC], Up to 4-2-01, Right
	0UK181L5AA	1						*EL	[L5], Non-Heated, Sales Code, [JTC], Up to 4-2-01, Right
	0UK181T5AA	1						*EL	[T5], Non-Heated, Sales Code, [JTC], Up to 4-2-01, Right
	0UK191AZAA	1						*EL	[AZ], Non-Heated, Sales Code, [JTC], Up to 4-2-01, Left
	0UK191L5AA	1						*EL	[L5], Non-Heated, Sales Code, [JTC], Up to 4-2-01, Left
	0UK191T5AA	1						*EL	[T5], Non-Heated, Sales Code, [JTC], Up to 4-2-01, Left
	0WB121AZAA	1						*EL	[AZ], Heated, Sales Code, [JTF], After 10-01-00, Up to 4-2-01, With Peel and Stick Heated Pad, Right
	0WB121L5AA	1						*EL	[L5], Heated, Sales Code, [JTF], After 10-01-00, Up to 4-2-01, With Peel and Stick Heated Pad, Right
	0WB121T5AA	1						*EL	[T5], Heated, Sales Code, [JTF], After 10-01-00, Up to 4-2-01, With Peel and Stick Heated Pad, Right
	0WB131AZAA	1						*EL	[AZ], Heated, Sales Code, [JTF], After 10-01-00, Up to 4-2-01, With Peel and Stick Heated Pad, Left



GRAND CHEROKEE (WJ)

SERIES LINE
H = Laredo T = JEEP - 2WD
P = Limited J = JEEP - 4WD

BODY
74 = SPORT UTILITY 4-DR

ENGINE
ERH = ENGINE - 4.0L
POWER TECH I-6
EVA = ENGINE- 4.7L V8 MPI

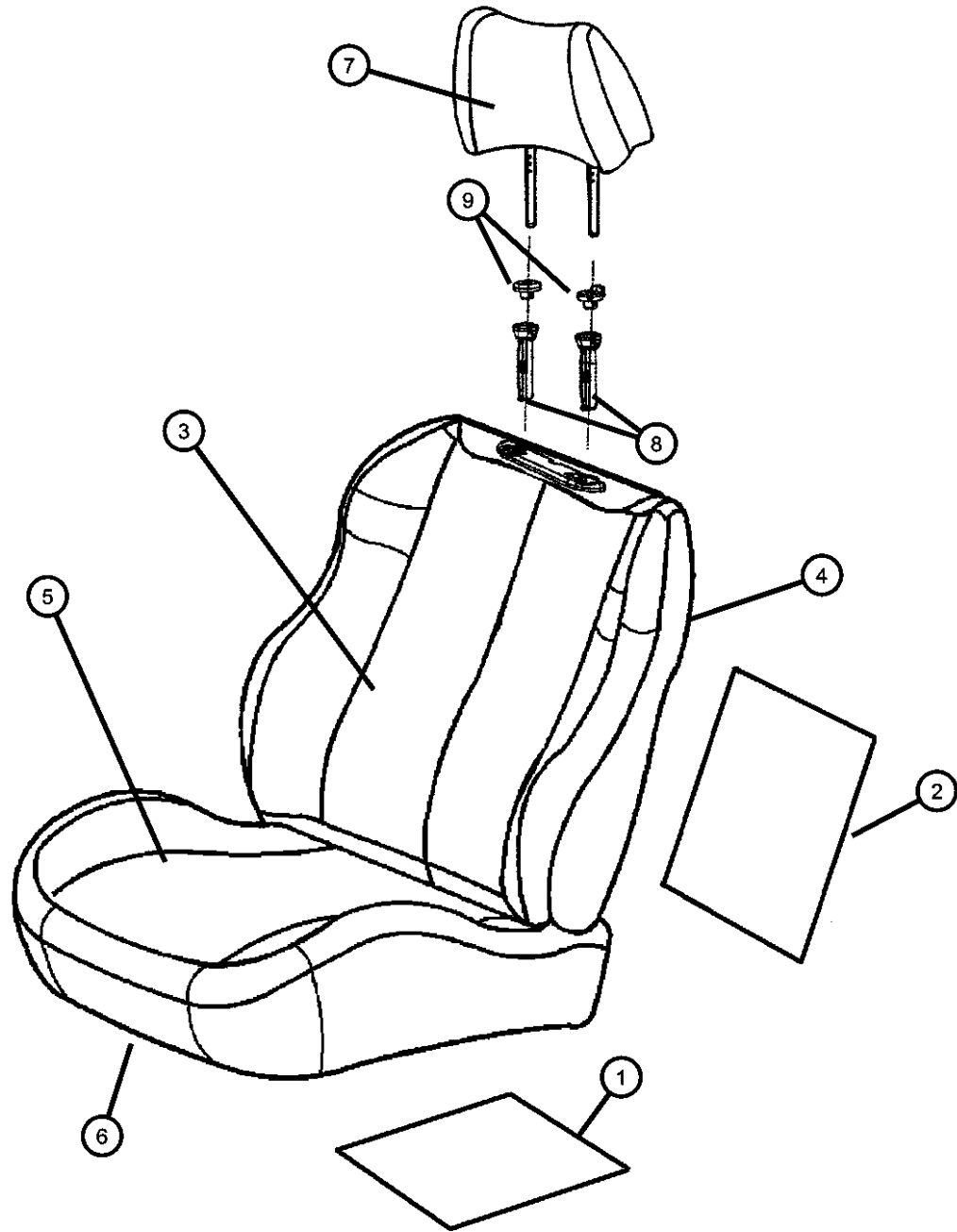
TRANSMISSION
DGK = TRANSMISSION - 4-SPD.
AUTOMATIC, 42RE
DGQ = TRANSMISSION-5SPD
AUTOMATIC 5-45RFE
DGO = ALL AUTOMATIC
TRANSMISSIONS

AR = use ase required - = Non illustrated part

2001 WJ

**Front Seat, Leather, Trim Code [EL]
Figure IWJ-530**

ITEM	PART NUMBER	QTY	LINE	SERIES	BODY	ENGINE	TRANS	TRIM	DESCRIPTION
	0WB131L5AA	1						*EL	[L5], Heated, Sales Code, [JTF], After 10-01-00, Up to 4-2-01, With Peel and Stick Heated Pad, Left
	0WB131T5AA	1						*EL	[T5], Heated, Sales Code, [JTF], After 10-01-00, Up to 4-2-01, With Peel and Stick Heated Pad, Left
	0WN441AZAA	1						*EL	[AZ], Non-Heated, Sales Code, [JTC], After 4-2-01, Right
	0WN441L5AA	1						*EL	[L5], Non-Heated, Sales Code, [JTC], After 4-2-01, Right
	0WN441T5AA	1						*EL	[T5], Non-Heated, Sales Code, [JTC], After 4-2-01, Right
	0WN44TL2AA	1						*EL	[A2], Non-Heated, Sales Code, [JTC], Right
	0WN451AZAA	1						*EL	[AZ], Non-Heated, Sales Code, [JTC], After 4-2-01, Left
	0WN451L5AA	1						*EL	[L5], Non-Heated, Sales Code, [JTC], After 4-2-01, Left
	0WN451T5AA	1						*EL	[T5], Non-Heated, Sales Code, [JTC], After 4-2-01, Left
	0WN45TL2AA	1						*EL	[A2], Non-Heated, Sales Code, [JTC], Left
	0WN461AZAA	1						*EL	[AZ], Heated, Sales Code, [JTF], After 4-2-01, With Peel and Stick Heated Pad, Right
	0WN461L5AA	1						*EL	[L5], Heated, Sales Code, [JTF], After 4-2-01, With Peel and Stick Heated Pad, Right
	0WN461T5AA	1						*EL	[T5], Heated, Sales Code, [JTF], After 4-2-01, With Peel and Stick Heated Pad, Right
	0WN46TL2AA	1						*EL	[A2], Heated, Sales Code, [JTF], With Peel and Stick Heated Pad, Right
	0WN471AZAA	1						*EL	[AZ], Heated, Sales Code, [JTF], After 4-2-01, With Peel and Stick Heated Pad, Left
	0WN471L5AA	1						*EL	[L5], Heated, Sales Code, [JTF], After 4-2-01, With Peel and Stick Heated Pad, Left
	0WN471T5AA	1						*EL	[T5], Heated, Sales Code, [JTF], After 4-2-01, With Peel and Stick Heated Pad, Left



GRAND CHEROKEE (WJ)

SERIES LINE
H = Laredo T = JEEP - 2WD
P = Limited J = JEEP - 4WD

BODY
74 = SPORT UTILITY 4-DR

ENGINE
ERH = ENGINE - 4.0L
POWER TECH I-6
EVA = ENGINE- 4.7L V8 MPI

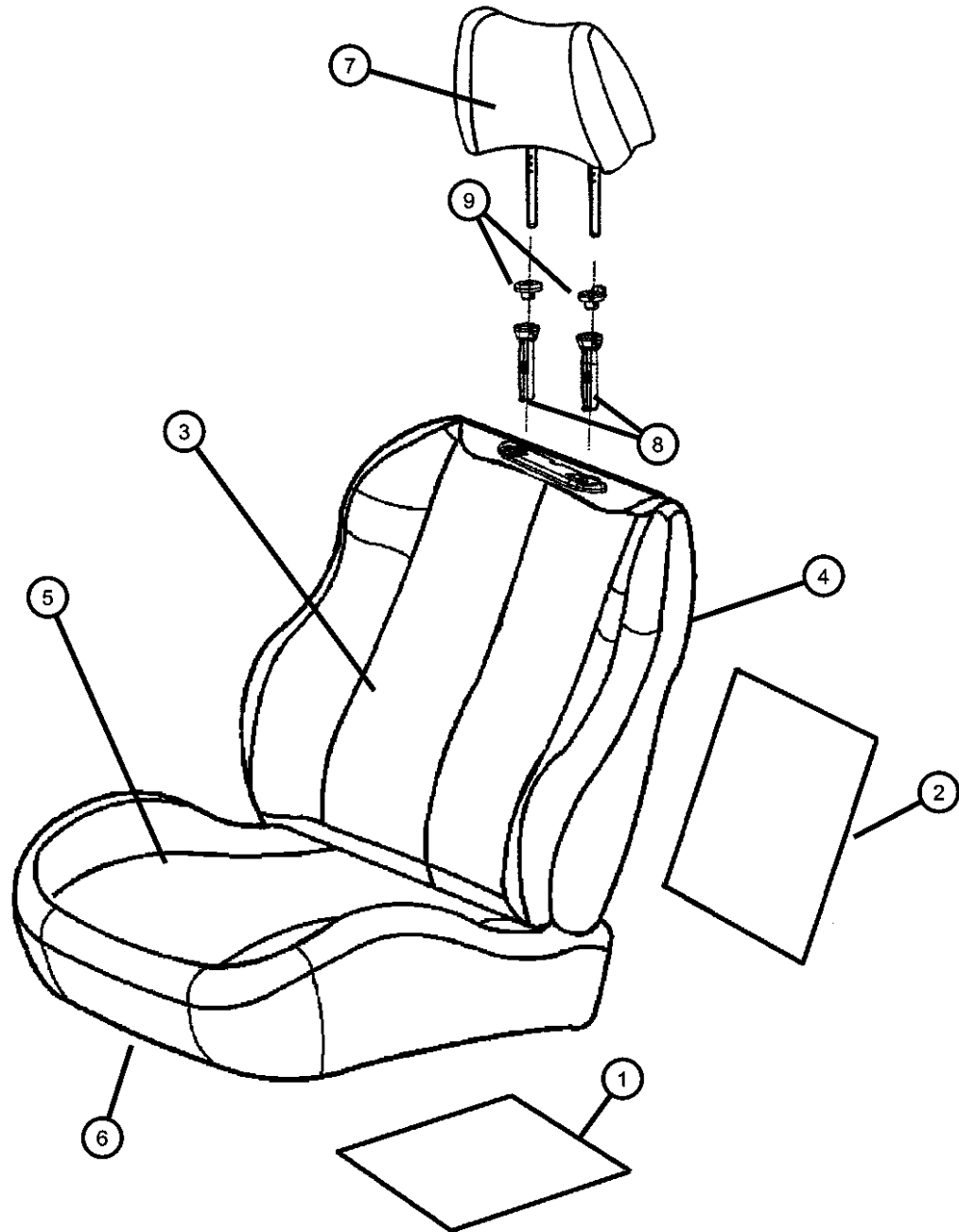
TRANSMISSION
DGK = TRANSMISSION - 4-SPD.
AUTOMATIC, 42RE
DGQ = TRANSMISSION-5SPD
AUTOMATIC 5-45RFE
DGO = ALL AUTOMATIC
TRANSMISSIONS

AR = use ase required - = Non illustrated part

2001 WJ

**Front Seat, Leather, Trim Code [EL]
Figure IWJ-530**

ITEM	PART NUMBER	QTY	LINE	SERIES	BODY	ENGINE	TRANS	TRIM	DESCRIPTION
	OWN47TL2AA	1						*EL	[A2], Heated, Sales Code, [JTF], With Peel and Stick Heated Pad, Left
6	04856470	1						*EL	FRAME, Front Seat
	04856471	1						*EL	Right
								*EL	Left
7	0UK071AZAA	2						*EL	HEADREST, Front
	0UK071L5AA	2						*EL	[AZ]
	0UK071T5AA	2						*EL	[L5]
	0UK07TL2AA	2						*EL	[T5]
8	05013152AA	2						*EL	[A2]
9								*EL	CYLINDER, Headrest
	0UK041AZAA	1						*EL	COVER, Headrest Sleeve
	0UK041L5AA	1						*EL	[AZ], Without Button, Right
	0UK041T5AA	1						*EL	[L5], Without Button, Right
	0UK04TL2AA	1						*EL	[T5], Without Button, Right
	0UK051AZAA	1						*EL	[A2], Right
	0UK051L5AA	1						*EL	[AZ], With Button, Left
	0UK051T5AA	1						*EL	[L5], With Button, Left
	0UK05TL2AA	1						*EL	[T5], With Button, Left
-10	04740415	1						*EL	[A2], Left
								*EL	EXTENDER, Seat Belt



GRAND CHEROKEE (WJ)

SERIES LINE
H = Laredo T = JEEP - 2WD
P = Limited J = JEEP - 4WD

BODY
74 = SPORT UTILITY 4-DR

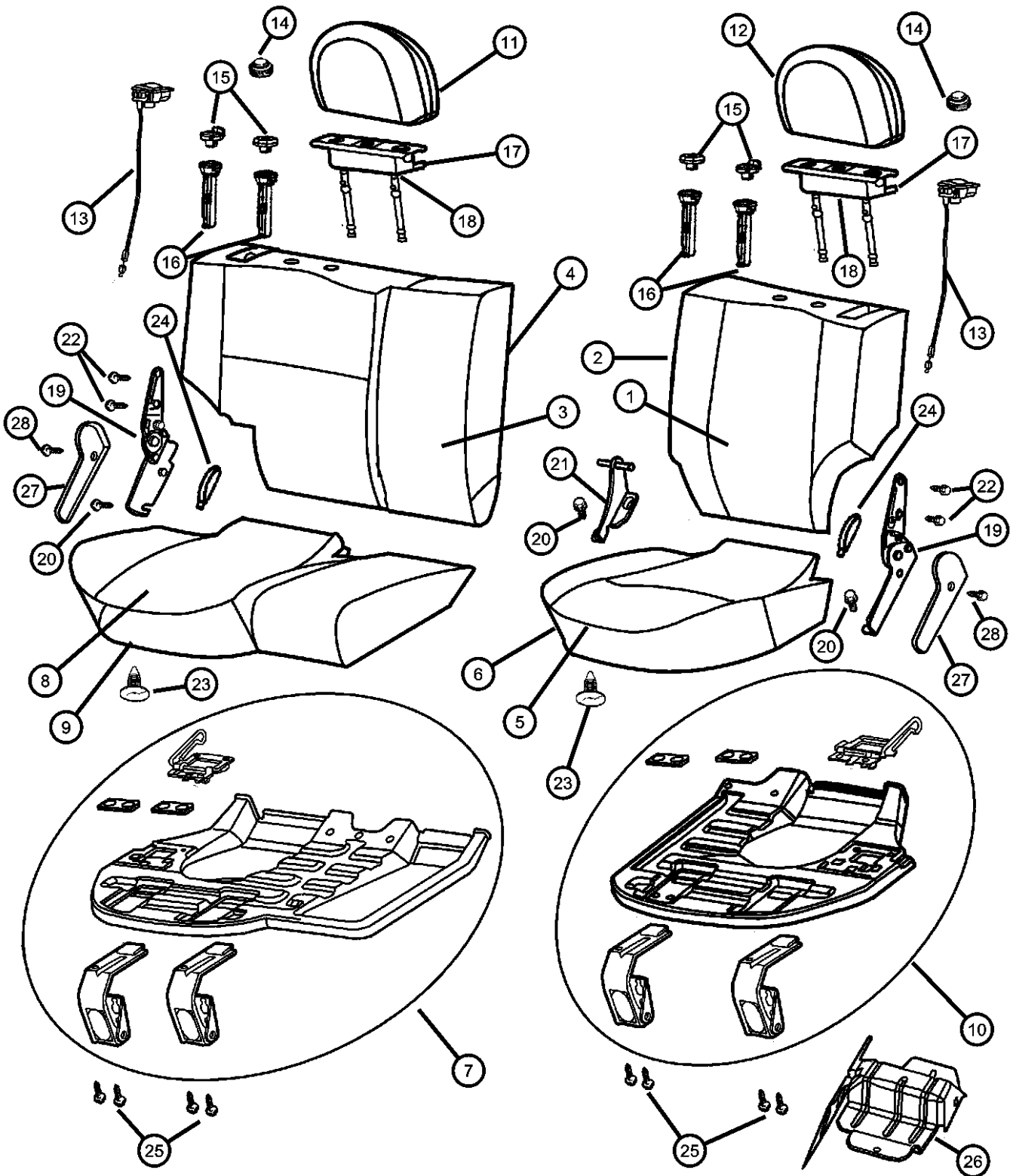
ENGINE
ERH = ENGINE - 4.0L
POWER TECH I-6
EVA = ENGINE- 4.7L V8 MPI

TRANSMISSION
DGK = TRANSMISSION - 4-SPD.
AUTOMATIC, 42RE
DGQ = TRANSMISSION-5SPD
AUTOMATIC 5-45RFE
DGO = ALL AUTOMATIC
TRANSMISSIONS

AR = use ase required - = Non illustrated part

2001 WJ

Rear Seat, Trim Code [H7]
Figure IWJ-610

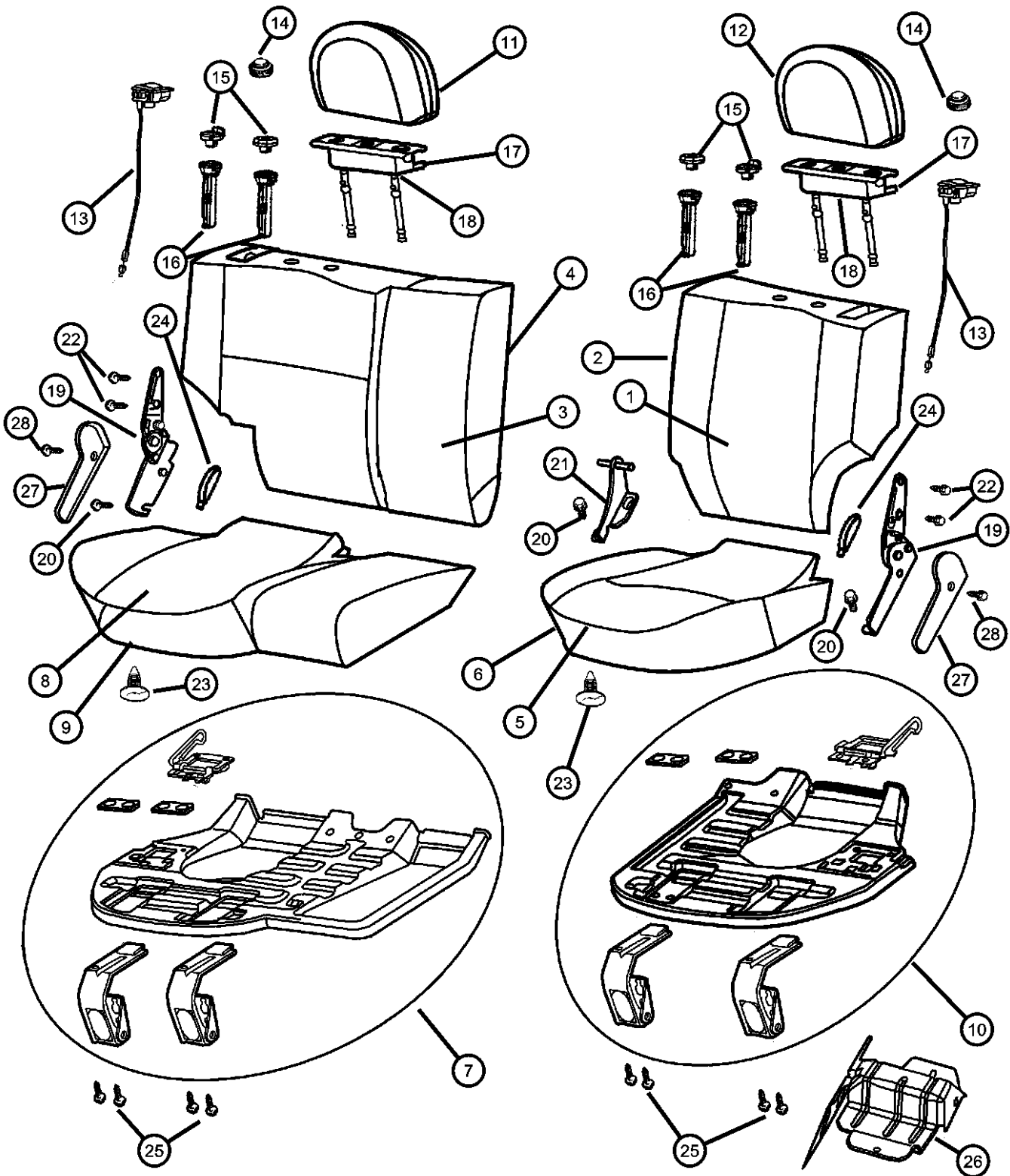


ITEM	PART NUMBER	QTY	LINE	SERIES	BODY	ENGINE	TRANS	TRIM	DESCRIPTION
1	0UN591AZAA	1						*H7	COVER, Rear Seat Back, 40% [AZ]
	0UN591L5AA	1						*H7	[L5]
	0UN591T5AA	1						*H7	[T5]
2	0UN611AZAA	1						*H7	SEAT BACK, Rear, 40% [AZ]
	0UN611L5AA	1						*H7	[L5]
	0UN611T5AA	1						*H7	[T5]
3	0UN581AZAA	1						*H7	COVER, Rear Seat Back, 60% [AZ]
	0UN581L5AA	1						*H7	[L5]
	0UN581T5AA	1						*H7	[T5]
4	0UN601AZAA	1						*H7	SEAT BACK, Rear, 60% [AZ]
	0UN601L5AA	1						*H7	[L5]
	0UN601T5AA	1						*H7	[T5]
5	0SK451AZAA	1						*H7	COVER, Rear Seat Cushion, 40% [AZ]
	0SK451L5AA	1						*H7	[L5]
	0SK451T5AA	1						*H7	[T5]
6	0SK491AZAA	1						*H7	CUSHION, Rear Seat, 40% [AZ]
	0SK491L5AA	1						*H7	[L5]
	0SK491T5AA	1						*H7	[T5]
7	05013119AA	1						*H7	PANEL, Seat Cushion Base, 60%
8	0SK441AZAA	1						*H7	COVER, Rear Seat Cushion, 60% [AZ]
	0SK441L5AA	1						*H7	[L5]
	0SK441T5AA	1						*H7	[T5]
9	0SK481AZAA	1						*H7	CUSHION, Rear Seat, 60% [AZ]
	0SK481L5AA	1						*H7	[L5]
	0SK481T5AA	1						*H7	[T5]
10	05013118AA	1						*EL	PANEL, Seat Cushion Base, 40%

GRAND CHEROKEE (WJ)
 SERIES LINE BODY ENGINE TRANSMISSION
 H = Laredo T = JEEP - 2WD 74 = SPORT UTILITY 4-DR ERH = ENGINE - 4.0L DKG = TRANSMISSION - 4-SPD.
 P = Limited J = JEEP - 4WD POWER TECH I-6 AUTOMATIC, 42RE
 EVA = ENGINE- 4.7L V8 MPI DGQ = TRANSMISSION-5SPD AUTOMATIC 5-45RFE
 DGO = ALL AUTOMATIC TRANSMISSIONS

AR = use ase required - = Non illustrated part

Rear Seat, Trim Code [H7]
Figure IWJ-610

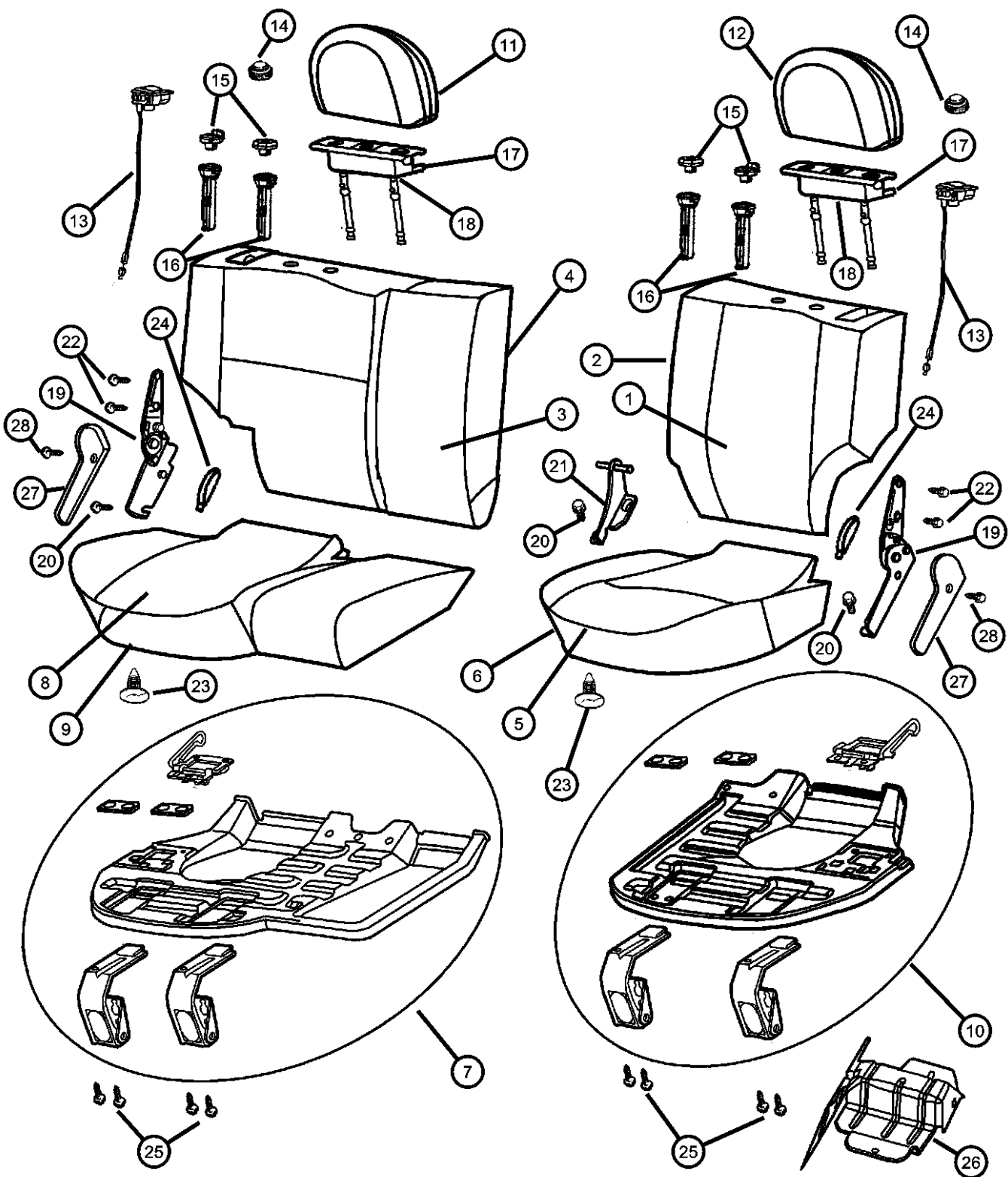


ITEM	PART NUMBER	QTY	LINE	SERIES	BODY	ENGINE	TRANS	TRIM	DESCRIPTION
11	0TW821AZAA	1						*H7 [AZ]	HEADREST, Rear, Right
	0TW821L5AA	1						*H7 [L5]	
	0TW821T5AA	1						*H7 [T5]	
12	0TW831AZAA	1						*H7 [AZ]	HEADREST, Rear, Left
	0TW831L5AA	1						*H7 [L5]	
	0TW831T5AA	1						*H7 [T5]	
13	0SX641AZAA	1						*H7 [AZ]	CONTROL, SEAT RELEASE
	0SX641L5AA	1						*H7 [L5]	
	0SX641T5AA	1						*H7 [T5]	
14	05013168AA	1						*H7 Right	HANDLE, Headrest
	05013169AA	1						*H7 Left	
15	0UK041AZAA	1						*H7 [AZ], Without Button	COVER, Headrest Sleeve
	0UK041L5AA	1						*H7 [L5], Without Button	
	0UK041T5AA	1						*H7 [T5], Without Button	
	0UK051AZAA	1						*H7 [AZ], With Button	
	0UK051L5AA	1						*H7 [L5], With Button	
	0UK051T5AA	1						*H7 [T5], With Button	
16	05013152AA	2						*H7	CYLINDER, Headrest
17	05016178AA	1						*H7 Right	BRACKET AND HINGE, Headrest
	05016179AA	1						*H7 Left	
18	05016920AA	1						*H7 Right	SHIELD, Headrest
	05016921AA	1						*H7 Left	
19	05013150AA	1						*H7 Right	LATCH, Seat
	05013151AA	1						*H7 Left	
20	06506959AA	4							SCREW AND WASHER, Hex Head, M8x1.25x40

GRAND CHEROKEE (WJ)
 SERIES LINE BODY ENGINE TRANSMISSION
 H = Laredo T = JEEP - 2WD 74 = SPORT UTILITY 4-DR ERH = ENGINE - 4.0L DGK = TRANSMISSION - 4-SPD. AUTOMATIC, 42RE
 P = Limited J = JEEP - 4WD POWER TECH I-6 DQG = TRANSMISSION-5SPD AUTOMATIC 5-45RFE
 EVA = ENGINE- 4.7L V8 MPI DGO = ALL AUTOMATIC TRANSMISSIONS

AR = use ase required - = Non illustrated part

Rear Seat, Trim Code [H7]
Figure IWJ-610



ITEM	PART NUMBER	QTY	LINE	SERIES	BODY	ENGINE	TRANS	TRIM	DESCRIPTION
21	05013145AA	1						*H7	BRACKET, Pivot
22	04720768	4						*H7	BOLT, Recliner to Seat Back
23	05019522AA	2						*H7	RETAINER, Cushion Cover
24									STRAP, Seat Pull
	OSL001AZAA	1						*H7	[AZ]
	OSL001L5AA	1						*H7	[L5]
	OSL001T5AA	1						*H7	[T5]
25	06100558	8							BOLT AND CONED WASHER, Hex Head, M6x25x14
26									BRACKET, Seat
	55196740AB	1							Rear Seat Cushion Latch, Right
	55196741AD	1							Rear Seat Cushion Latch, Left
27									COVER, Seat latch
	0UN701AZAA	1						*H7	[AZ], Right
	0UN701L5AA	1						*H7	[L5], Right
	0UN701T5AA	1						*H7	[T5], Right
	0UN711AZAA	1						*H7	[AZ], Left
	0UN711L5AA	1						*H7	[L5], Left
	0UN711T5AA	1						*H7	[T5], Left
28	05072471AA	2						*H7	RIVET

GRAND CHEROKEE (WJ)

SERIES LINE
 H = Laredo T = JEEP - 2WD
 P = Limited J = JEEP - 4WD

BODY
 74 = SPORT UTILITY 4-DR

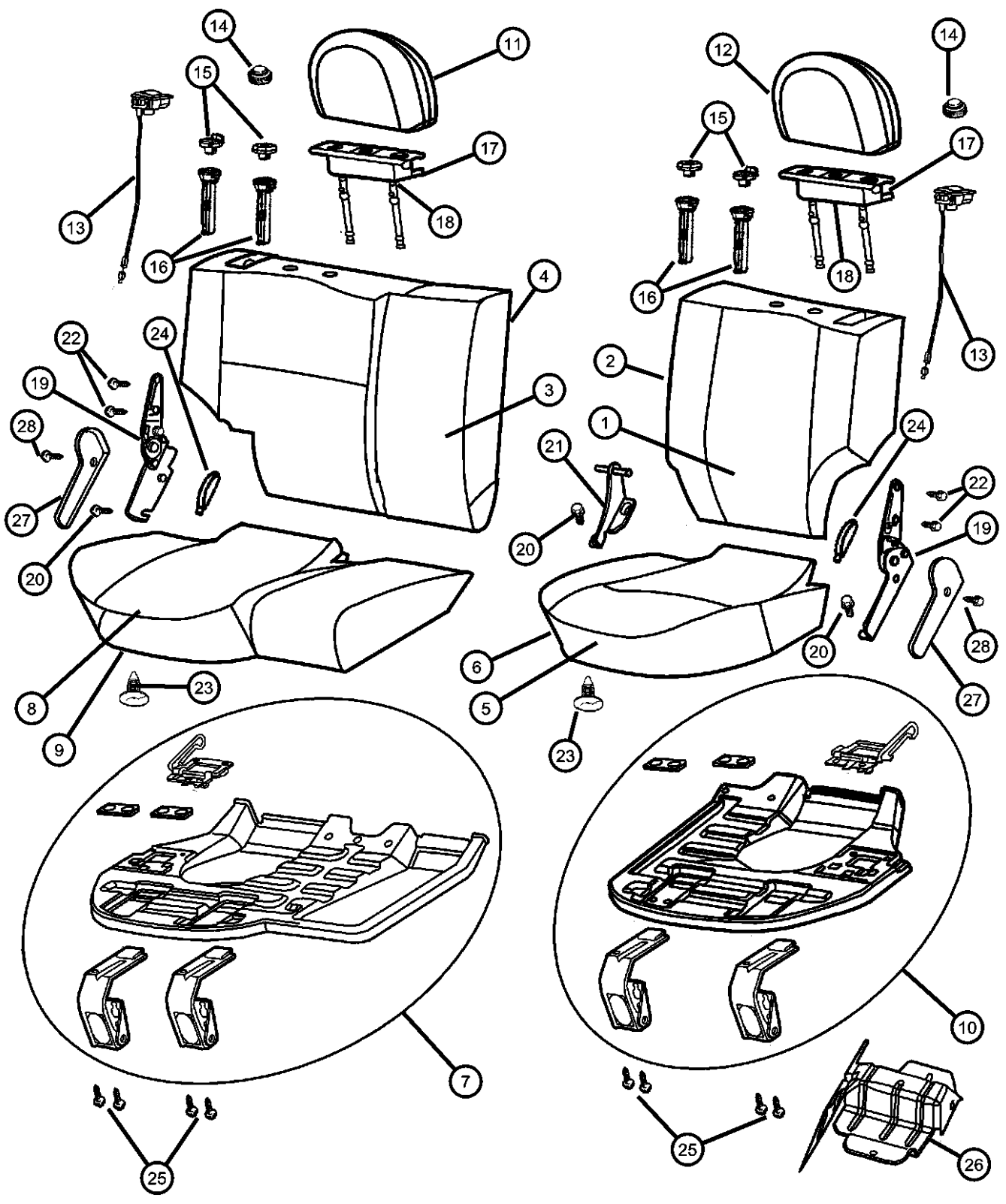
ENGINE
 ERH = ENGINE - 4.0L
 POWER TECH I-6
 EVA = ENGINE- 4.7L V8 MPI

TRANSMISSION
 DGK = TRANSMISSION - 4-SPD.
 AUTOMATIC, 42RE
 DGQ = TRANSMISSION-5SPD
 AUTOMATIC 5-45RFE
 DGO = ALL AUTOMATIC
 TRANSMISSIONS

AR = use ase required - = Non illustrated part

2001 WJ

Rear Seat, Trim Code [FL]
Figure IWJ-620



ITEM	PART NUMBER	QTY	LINE	SERIES	BODY	ENGINE	TRANS	TRIM	DESCRIPTION
1	0UN671AZAA	1						*FL [AZ]	COVER, Rear Seat Back, 40%
	0UN671L5AA	1						*FL [L5]	
	0UN671T5AA	1						*FL [T5]	
2	0UN691AZAA	1						*FL [AZ]	SEAT BACK, Rear, 40%
	0UN691L5AA	1						*FL [L5]	
	0UN691T5AA	1						*FL [T5]	
3	0UN661AZAA	1						*FL [AZ]	COVER, Rear Seat Back, 60%
	0UN661L5AA	1						*FL [L5]	
	0UN661T5AA	1						*FL [T5]	
4	0UN681AZAA	1						*FL [AZ]	SEAT BACK, Rear, 60%
	0UN681L5AA	1						*FL [L5]	
	0UN681T5AA	1						*FL [T5]	
5	0TU251AZAA	1						*FL [AZ]	COVER, Rear Seat Cushion, 40%
	0TU251L5AA	1						*FL [L5]	
	0TU251T5AA	1						*FL [T5]	
6	0TU291AZAA	1						*FL [AZ]	CUSHION, Rear Seat, 40%
	0TU291L5AA	1						*FL [L5]	
	0TU291T5AA	1						*FL [T5]	
7	05013119AA	1					*FL	PANEL, Seat Cushion Base, 60%	
8	0TU241AZAA	1						*FL [AZ]	COVER, Rear Seat Cushion, 60%
	0TU241L5AA	1						*FL [L5]	
	0TU241T5AA	1						*FL [T5]	
9	0TU281AZAA	1						*FL [AZ]	CUSHION, Rear Seat, 60%
	0TU281L5AA	1						*FL [L5]	
	0TU281T5AA	1						*FL [T5]	
10	05013118AA	1					*FL	PANEL, Seat Cushion Base, 40%	

GRAND CHEROKEE (WJ)

SERIES LINE
H = Laredo T = JEEP - 2WD
P = Limited J = JEEP - 4WD

BODY
74 = SPORT UTILITY 4-DR

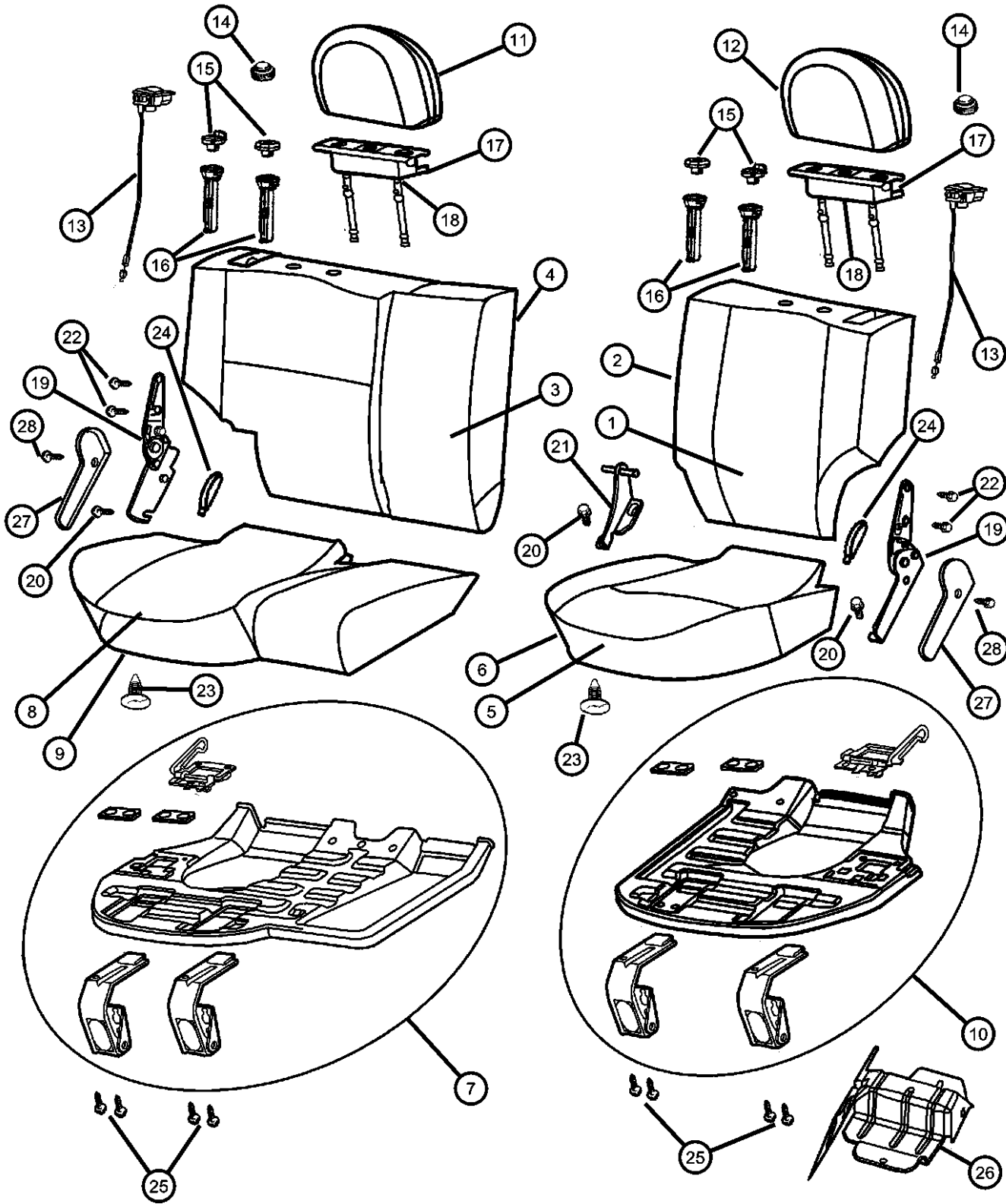
ENGINE
ERH = ENGINE - 4.0L
POWER TECH I-6
EVA = ENGINE- 4.7L V8 MPI

TRANSMISSION
DGK = TRANSMISSION - 4-SPD.
AUTOMATIC, 42RE
DGG = TRANSMISSION-5SPD
AUTOMATIC 5-45RFE
DGO = ALL AUTOMATIC
TRANSMISSIONS

AR = use ase required - = Non illustrated part

2001 WJ

Rear Seat, Trim Code [FL]
Figure IWJ-620



ITEM	PART NUMBER	QTY	LINE	SERIES	BODY	ENGINE	TRANS	TRIM	DESCRIPTION
11	0TH741AZAA	1						*FL	HEADREST, Rear, Right
	0TH741L5AA	1						*FL	[L5]
	0TH751T5AA	1						*FL	[T5]
12	0TH741L5AA	1						*FL	HEADREST, Rear, Left
	0TH751AZAA	1						*FL	[AZ]
	0TH751T5AA	1						*FL	[T5]
13	0SX641AZAA	1						*FL	CONTROL, SEAT RELEASE
	0SX641L5AA	1						*FL	[L5]
	0SX641T5AA	1						*FL	[T5]
14	05013168AA	1						*FL	HANDLE, Headrest
	05013169AA	1						*FL	Right
15	0UJ041AZAA	1						*FL	COVER, Headrest Sleeve
	0UJ041L5AA	1						*FL	[AZ], Without Button
	0UJ041T5AA	1						*FL	[L5], Without Button
	0UJ051AZAA	1						*FL	[T5], Without Button
	0UJ051L5AA	1						*FL	[AZ], With Button
	0UJ051T5AA	1						*FL	[L5], With Button
16	05013152AA	2						*FL	[T5], With Button
17	05016178AA	1						*FL	CYLINDER, Headrest
	05016179AA	1						*FL	BRACKET AND HINGE, Headrest
18	05016920AA	1						*FL	SHIELD, Headrest
	05016921AA	1						*FL	Right
19	05013150AA	1						*FL	Left
	05013151AA	1						*FL	LATCH, Seat
20	06506959AA	4						*FL	Right
								*FL	Left
									SCREW AND WASHER, Hex Head, M8x1.25x40

GRAND CHEROKEE (WJ)

SERIES LINE
H = Laredo T = JEEP - 2WD
P = Limited J = JEEP - 4WD

BODY
74 = SPORT UTILITY 4-DR

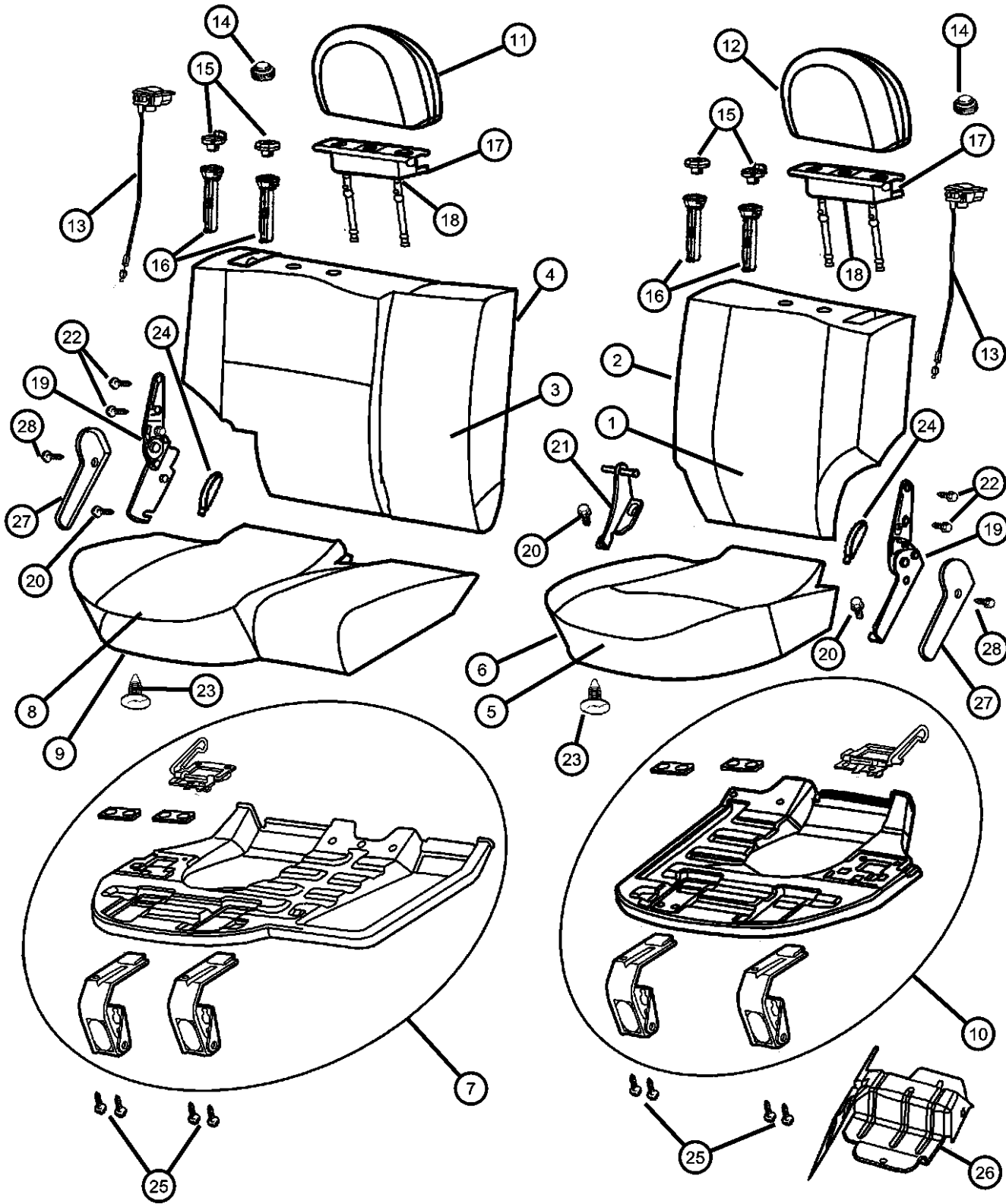
ENGINE
ERH = ENGINE - 4.0L
POWER TECH I-6
EVA = ENGINE- 4.7L V8 MPI

TRANSMISSION
DGK = TRANSMISSION - 4-SPD.
AUTOMATIC, 42RE
DQG = TRANSMISSION-5SPD
AUTOMATIC 5-45RFE
DGO = ALL AUTOMATIC
TRANSMISSIONS

AR = use ase required - = Non illustrated part

2001 WJ

Rear Seat, Trim Code [FL]
Figure IWJ-620



ITEM	PART NUMBER	QTY	LINE	SERIES	BODY	ENGINE	TRANS	TRIM	DESCRIPTION
21	05013145AA	1						*FL	BRACKET, Pivot
22	04720768	4						*FL	BOLT, Recliner to Seat Back
23	05019522AA	2						*EL	RETAINER, Cushion Cover
24									STRAP, Seat Pull
	OSL001AZAA	1						*FL	[AZ]
	OSL001L5AA	1						*FL	[L5]
	OSL001T5AA	1						*FL	[T5]
25	06100558	8							BOLT AND CONED WASHER, Hex Head, M6x25x14
26									BRACKET, Seat
	55196740AB	1							Rear Seat Cushion Latch, Right
	55196741AD	1							Rear Seat Cushion Latch, Left
27									COVER, Seat latch
	0UN701AZAA	1						*FL	[AZ], Right
	0UN701L5AA	1						*FL	[L5], Right
	0UN701T5AA	1						*FL	[T5], Right
	0UN711AZAA	1						*FL	[AZ], Left
	0UN711L5AA	1						*FL	[L5], Left
	0UN711T5AA	1						*FL	[T5], Left
28	05072471AA	2						*FL	RIVET

GRAND CHEROKEE (WJ)

SERIES LINE
H = Laredo T = JEEP - 2WD
P = Limited J = JEEP - 4WD

BODY
74 = SPORT UTILITY 4-DR

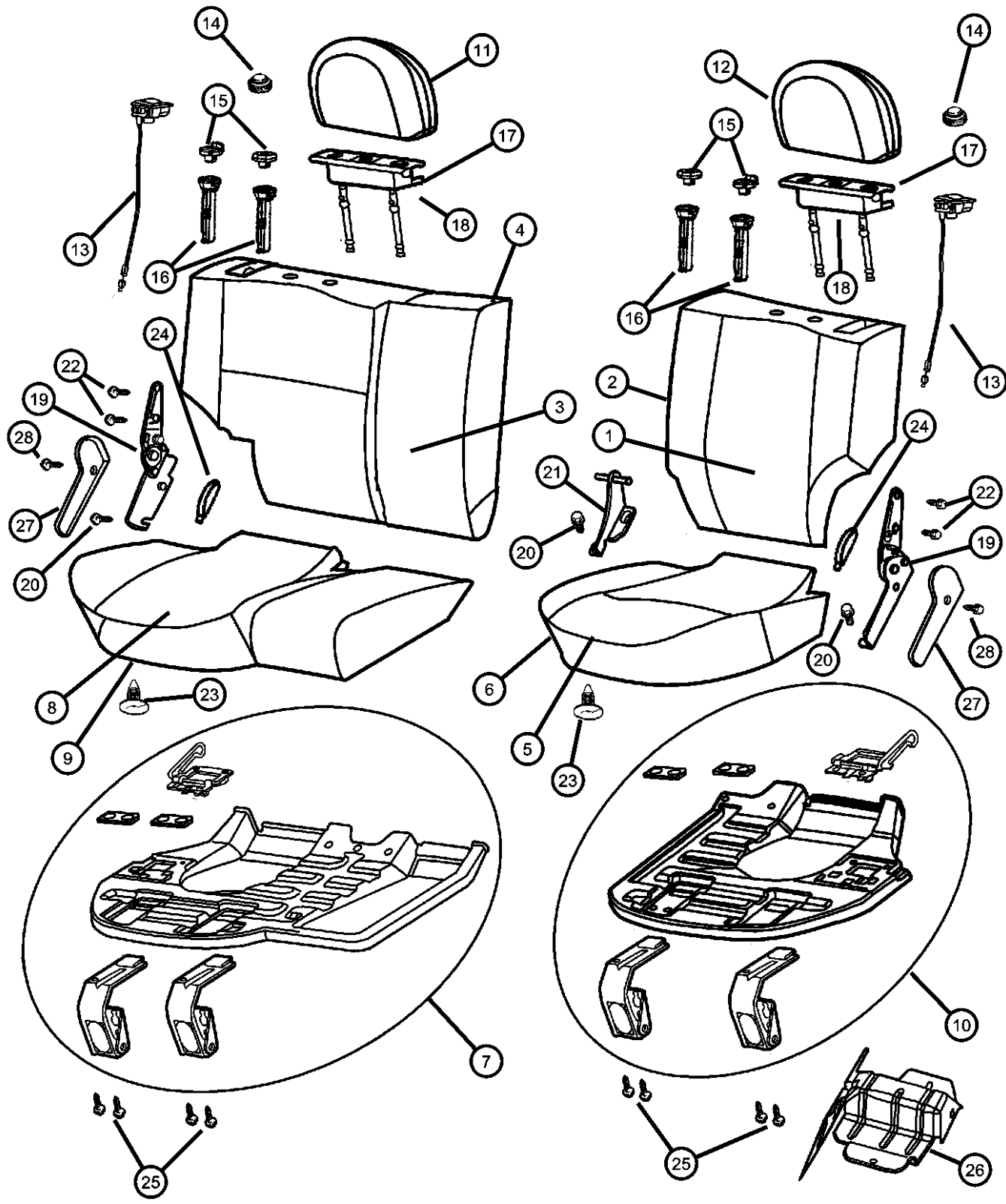
ENGINE
ERH = ENGINE - 4.0L POWER TECH I-6
EVA = ENGINE- 4.7L V8 MPI

TRANSMISSION
DGK = TRANSMISSION - 4-SPD. AUTOMATIC, 42RE
DGQ = TRANSMISSION-5SPD AUTOMATIC 5-45RFE
DGO = ALL AUTOMATIC TRANSMISSIONS

AR = use ase required - = Non illustrated part

2001 WJ

Rear Seat, Trim Code [EL]
Figure IWJ-630



ITEM	PART NUMBER	QTY	LINE	SERIES	BODY	ENGINE	TRANS	TRIM	DESCRIPTION
1	0UK151AZAA	1						*EL	COVER, Rear Seat Back, 40% [AZ], Up to 4-2-01
	0UK151L5AA	1						*EL	[L5], Up to 4-2-01
	0UK151T5AA	1						*EL	[T5], Up to 4-2-01
	0WN631AZAA	1						*EL	[AZ], After 4-2-01
	0WN631L5AA	1						*EL	[L5], After 4-2-01
	0WN631T5AA	1						*EL	[T5], After 4-2-01
	0WN63TL2AA	1						*EL	[A2], After 4-2-01
2	0UK131AZAA	1						*EL	SEAT BACK, Rear, 40% [AZ], Up to 4-2-01
	0UK131L5AA	1						*EL	[L5], Up to 4-2-01
	0UK131T5AA	1						*EL	[T5], Up to 4-2-01
	0WN591A2AA	1						*EL	[A2]
	0WN591AZAA	1						*EL	[AZ], After 4-2-01
	0WN591L5AA	1						*EL	[L5], After 4-2-01
	0WN591T5AA	1						*EL	[T5], After 4-2-01
3	0UK141AZAA	1						*EL	COVER, Rear Seat Back, 60% [AZ], Up to 4-2-01
	0UK141L5AA	1						*EL	[L5], Up to 4-2-01
	0UK141T5AA	1						*EL	[T5], Up to 4-2-01
	0WN621AZAA	1						*EL	[AZ], After 4-2-01
	0WN621L5AA	1						*EL	[L5], After 4-2-01
	0WN621T5AA	1						*EL	[T5], After 4-2-01
	0WN62TL2AA	1						*EL	[A2]
4	0UK121AZAA	1						*EL	SEAT BACK, Rear, 60% [AZ], Up to 4-2-01
	0UK121L5AA	1						*EL	[L5], Up to 4-2-01
	0UK121T5AA	1						*EL	[T5], Up to 4-2-01
	0WN581AZAA	1						*EL	[AZ], After 4-2-01
	0WN581L5AA	1						*EL	[L5], After 4-2-01
	0WN581T5AA	1						*EL	[T5], After 4-2-01
	0WN58TL2AA	1						*EL	[A2]
5	0UK111AZAA	1						*EL	COVER, Rear Seat Cushion, 40% [AZ], Up to 4-2-01

GRAND CHEROKEE (WJ)

SERIES LINE
H = Laredo T = JEEP - 2WD
P = Limited J = JEEP - 4WD

BODY
74 = SPORT UTILITY 4-DR

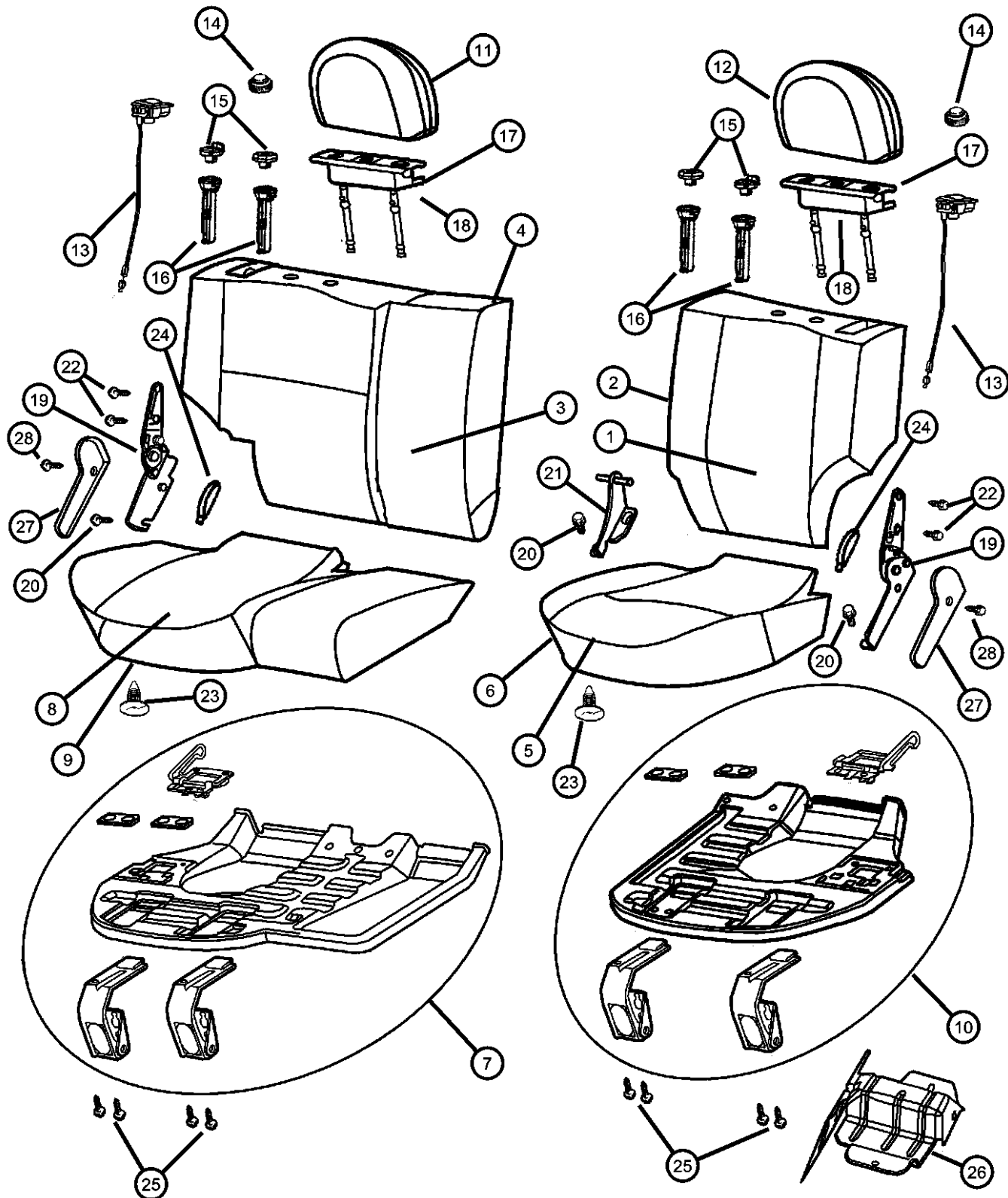
ENGINE
ERH = ENGINE - 4.0L
POWER TECH I-6
EVA = ENGINE- 4.7L V8 MPI

TRANSMISSION
DGK = TRANSMISSION - 4-SPD.
AUTOMATIC, 42RE
DQG = TRANSMISSION-5SPD
AUTOMATIC 5-45RFE
DGO = ALL AUTOMATIC
TRANSMISSIONS

AR = use ase required - = Non illustrated part

2001 WJ

Rear Seat, Trim Code [EL]
Figure IWJ-630



ITEM	PART NUMBER	QTY	LINE	SERIES	BODY	ENGINE	TRANS	TRIM	DESCRIPTION
	0UK111L5AA	1						*EL	[L5], Up to 4-2-01
	0UK111T5AA	1						*EL	[T5], Up to 4-2-01
	0WN571AZAA	1						*EL	[AZ], After 4-2-01
	0WN571L5AA	1						*EL	[L5], After 4-2-01
	0WN571T5AA	1						*EL	[T5], After 4-2-01
	0WN57TL2AA	1						*EL	[A2]
6									CUSHION, Rear Seat, 40%
	0UK091AZAA	1						*EL	[AZ], Up to 4-2-01
	0UK091L5AA	1						*EL	[L5], Up to 4-2-01
	0UK091T5AA	1						*EL	[T5], Up to 4-2-01
	0WN551AZAA	1						*EL	[AZ], After 4-2-01
	0WN551L5AA	1						*EL	[L5], After 4-2-01
	0WN551T5AA	1						*EL	[T5], After 4-2-01
	0WN55TL2AA	1						*EL	[A2]
7	05013119AA	1						*EL	PANEL, Seat Cushion Base, 60%
8									COVER, Rear Seat Cushion, 60%
	0UK101AZAA	1						*EL	[AZ], Up to 4-2-01
	0UK101L5AA	1						*EL	[L5], Up to 4-2-01
	0UK101T5AA	1						*EL	[T5], Up to 4-2-01
	0WN561AZAA	1						*EL	[AZ], After 4-2-01
	0WN561L5AA	1						*EL	[L5], After 4-2-01
	0WN561T5AA	1						*EL	[T5], After 4-2-01
	0WN56TL2AA	1						*EL	
9									CUSHION, Rear Seat, 60%
	0UK081AZAA	1						*EL	[AZ], Up to 4-2-01
	0UK081L5AA	1						*EL	[L5], Up to 4-2-01
	0UK081T5AA	1						*EL	[T5], Up to 4-2-01
	0WN541AZAA	1						*EL	[AZ], After 4-2-01
	0WN541L5AA	1						*EL	[L5], After 4-2-01
	0WN541T5AA	1						*EL	[T5], After 4-2-01
	0WN54TL2AA	1						*EL	[A2]
10	05013118AA	1						*EL	PANEL, Seat Cushion Base, 40%
11									HEADREST, Rear, Right

GRAND CHEROKEE (WJ)

SERIES LINE
H = Laredo T = JEEP - 2WD
P = Limited J = JEEP - 4WD

BODY
74 = SPORT UTILITY 4-DR

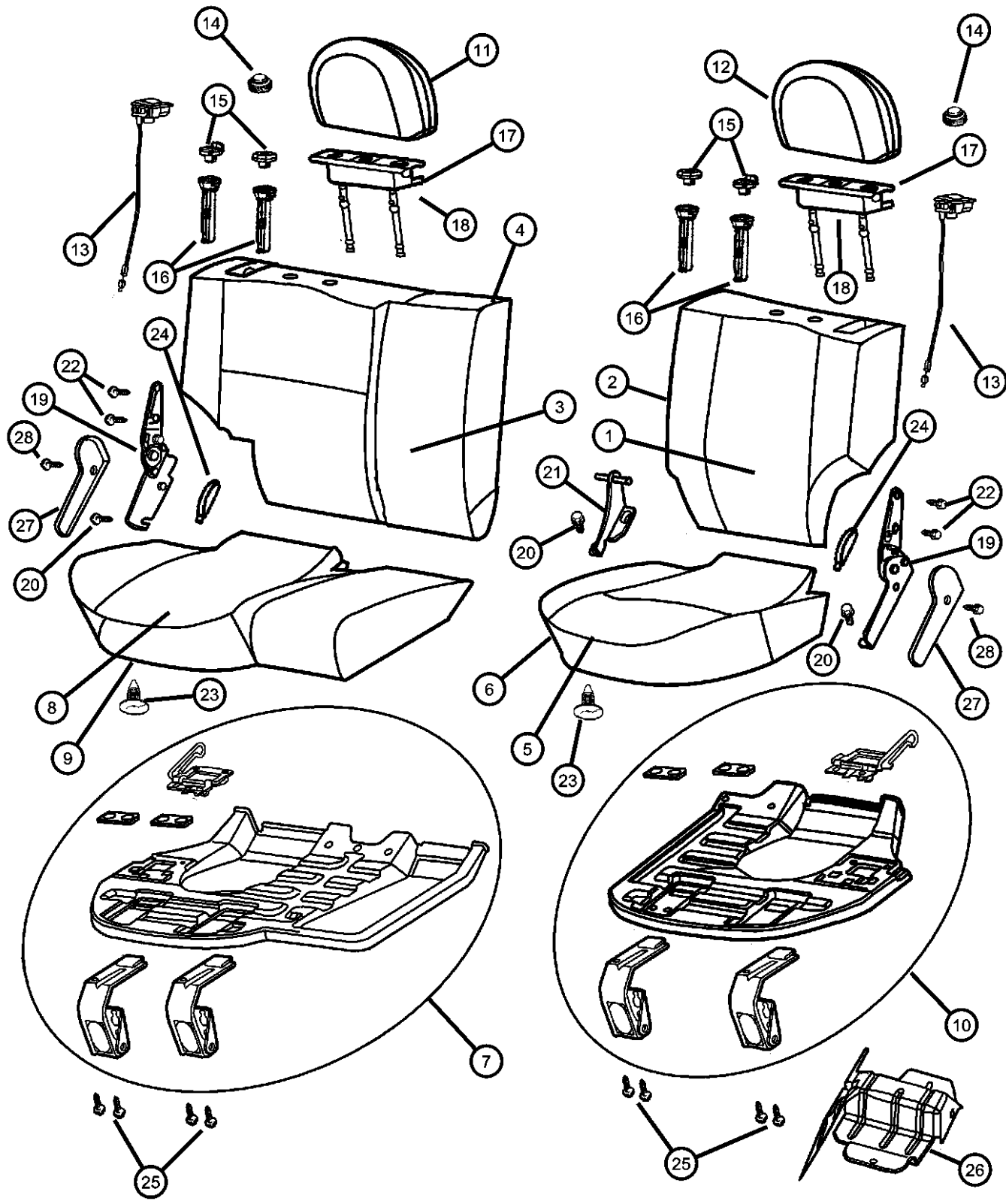
ENGINE
ERH = ENGINE - 4.0L
POWER TECH I-6
EVA = ENGINE- 4.7L V8 MPI

TRANSMISSION
DGK = TRANSMISSION - 4-SPD.
AUTOMATIC, 42RE
DQG = TRANSMISSION-5SPD
AUTOMATIC 5-45RFE
DGO = ALL AUTOMATIC
TRANSMISSIONS

AR = use ase required - = Non illustrated part

2001 WJ

Rear Seat, Trim Code [EL]
Figure IWJ-630



ITEM	PART NUMBER	QTY	LINE	SERIES	BODY	ENGINE	TRANS	TRIM	DESCRIPTION
	0UK161AZAA	1						*EL [AZ]	
	0UK161L5AA	1						*EL [L5]	
	0UK161T5AA	1						*EL [T5]	
	0UK16TL2AA	1						*EL [A2]	
12									HEADREST, Rear, Left
	0UK171AZAA	1						*EL [AZ]	
	0UK171L5AA	1						*EL [L5]	
	0UK171T5AA	1						*EL [T5]	
	0UK17TL2AA	1						*EL [A2]	
13									CONTROL, SEAT RELEASE
	0SX641AZAA	1						*EL [AZ]	
	0SX641L5AA	1						*EL [L5]	
	0SX641T5AA	1						*EL [T5]	
	0SX64TL2AA	1						*EL [A2]	
14									HANDLE, Headrest
	05013168AA	1						*EL Right	
	05013169AA	1						*EL Left	
15									COVER, Headrest Sleeve
	0UK041AZAA	1						*EL [AZ], Without Button	
	0UK041L5AA	1						*EL [L5], Without Button	
	0UK041T5AA	1						*EL [T5], Without Button	
	0UK04TL2AA	1						*EL [A2], Without Button	
	0UK051AZAA	1						*EL [AZ], With Button	
	0UK051L5AA	1						*EL [L5], With Button	
	0UK051T5AA	1						*EL [T5], With Button	
	0UK05TL2AA	1						*EL [A2], With Button	
16	05013152AA	2						*EL	CYLINDER, Headrest
17									BRACKET AND HINGE, Headrest
	05016178AA	1						*EL Right	
	05016179AA	1						*EL Left	
18									SHIELD, Headrest
	05016920AA	1						*EL Right	
	05016921AA	1						*EL Left	

GRAND CHEROKEE (WJ)

SERIES LINE
H = Laredo T = JEEP - 2WD
P = Limited J = JEEP - 4WD

BODY
74 = SPORT UTILITY 4-DR

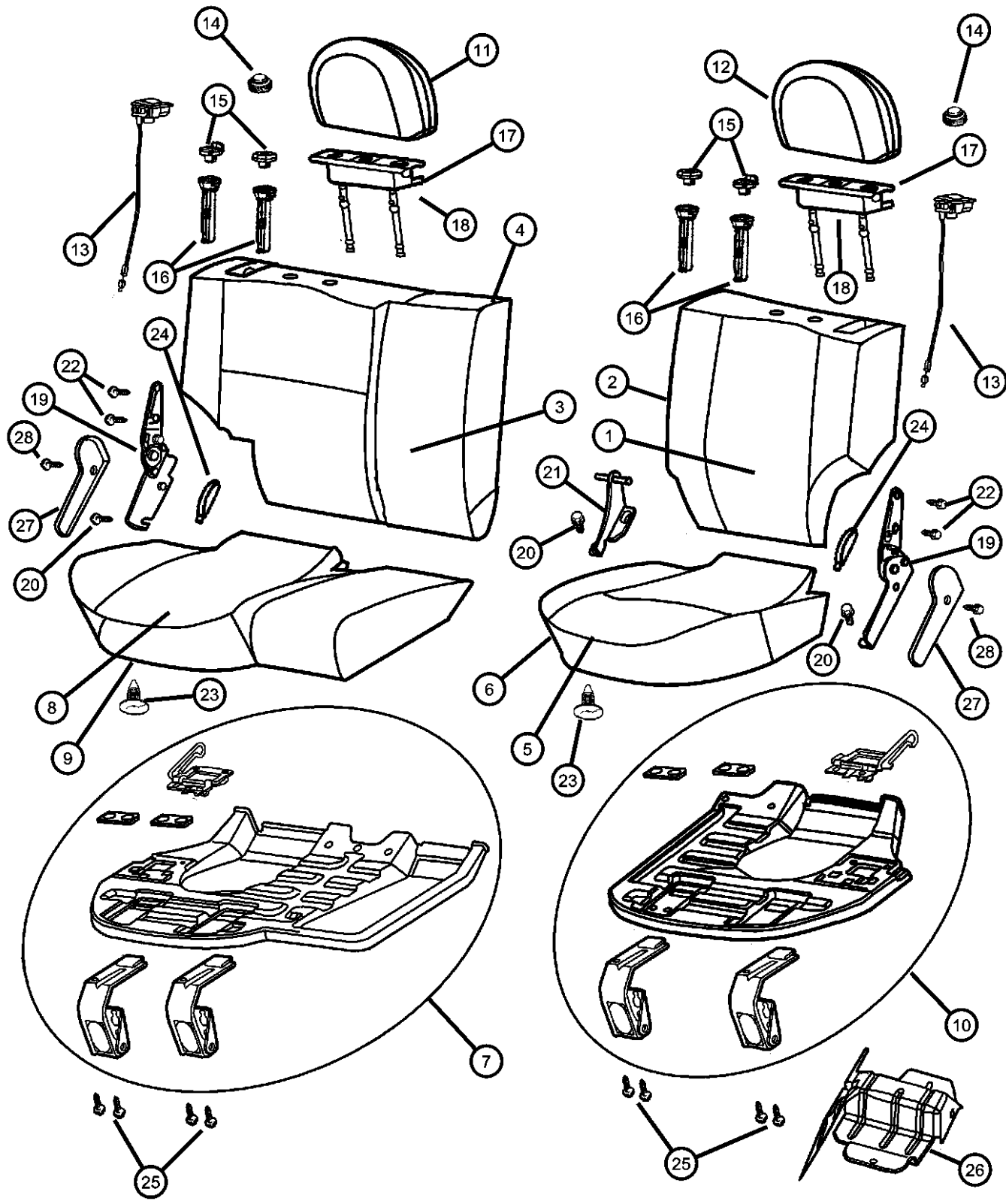
ENGINE
ERH = ENGINE - 4.0L
POWER TECH I-6
EVA = ENGINE- 4.7L V8 MPI

TRANSMISSION
D GK = TRANSMISSION - 4-SPD.
AUTOMATIC, 42RE
D GQ = TRANSMISSION-5SPD
AUTOMATIC 5-45RFE
D GO = ALL AUTOMATIC
TRANSMISSIONS

AR = use ase required - = Non illustrated part

2001 WJ

Rear Seat, Trim Code [EL]
Figure IWJ-630

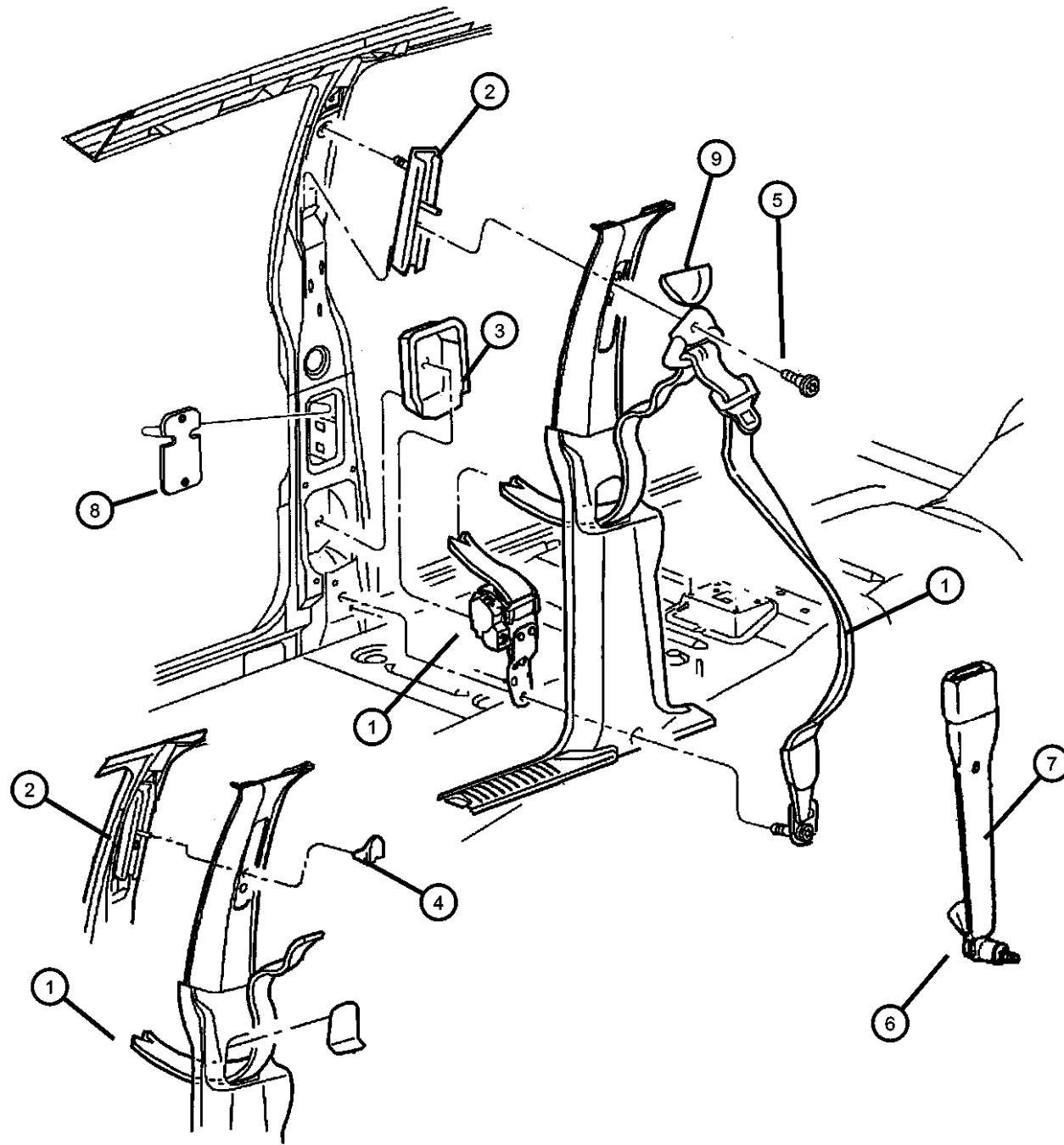


ITEM	PART NUMBER	QTY	LINE	SERIES	BODY	ENGINE	TRANS	TRIM	DESCRIPTION
19									LATCH, Seat
	05013150AA	1						*EL	Right
	05013151AA	1						*EL	Left
20	06506959AA	4							SCREW AND WASHER, Hex Head, M8x1.25x40
21	05013145AA	1						*EL	BRACKET, Pivot
22	04720768	4						*EL	BOLT, Recliner to Seat Back
23	05019522AA	2						*EL	RETAINER, Cushion Cover
24									STRAP, Seat Pull
	0SL001AZAA	1						*EL	[AZ]
	0SL001L5AA	1						*EL	[L5]
	0SL001T5AA	1						*EL	[T5]
	0SL00TL2AA	1						*EL	[A2]
25	06100558	8							BOLT AND CONED WASHER, Hex Head, M6x25x14
26									BRACKET, Seat
	55196740AB	1							Rear Seat Cushion Latch, Right
	55196741AD	1							Rear Seat Cushion Latch, Left
27									COVER, Seat latch
	0UN701AZAA	1						*EL	[AZ], Right
		1						*EL	[A2], Right
	0UN701L5AA	1						*EL	[L5], Right
	0UN701T5AA	1						*EL	[T5], Right
	0UN711AZAA	1						*EL	[AZ], Left
		1						*EL	[A2], Left
	0UN711L5AA	1						*EL	[L5], Left
	0UN711T5AA	1						*EL	[T5], Left
28	05072471AA	2						*EL	RIVET

GRAND CHEROKEE (WJ)
 SERIES LINE BODY ENGINE TRANSMISSION
 H = Laredo T = JEEP - 2WD 74 = SPORT UTILITY 4-DR ERH = ENGINE - 4.0L POWER TECH I-6 DGO = ALL AUTOMATIC TRANSMISSIONS
 P = Limited J = JEEP - 4WD EVA = ENGINE- 4.7L V8 MPI DGK = TRANSMISSION - 4-SPD. AUTOMATIC, 42RE
 DGQ = TRANSMISSION-5SPD AUTOMATIC 5-45RFE

AR = use ase required - = Non illustrated part

Front Seat
Figure IWJ-710



ITEM	PART NUMBER	QTY	LINE	SERIES	BODY	ENGINE	TRANS	TRIM	DESCRIPTION
1	5GD601L5AF	1						*O0	SEAT BELT, Front Outer [L5], Right
	5GD60LAZAF	1						*O0	[AZ], Right
	5GD60XT5AF	1						*O0	[T5], Right
	5GD60LAZAH	1						*O0	[A2], Right
	5GD611L5AG	1						*O0	[L5], Left
	5GD61LAZAG	1						*O0	[AZ], Left
	5GD61XT5AG	1						*O0	[T5], Left
	5GD61LAZAH	1						*O0	[A2], Left
2	55196689AB	2							ADJUSTER, Seat Belt Turning Loop
3									SHIELD, Seat Belt Retractor
	55196734AD	1							Right
	55196735AD	1							Left
4	55196860AA	2							BUTTON, Adjuster
5	06035888	2							SCREW, Shoulder
6	06504867AA	1						*O0	SCREW
7									SEAT BELT, Front Inner
	5GU081AZAC	1						*O0	[AZ], Right
	5GU081L5AC	1						*O0	[L5], Right
	5GU081T5AC	1						*O0	[T5], Right
	5GU081AZAD	1						*O0	[A2], Right
	5GU431AZAC	1						*O0	[AZ], Left
	5GU431L5AC	1						*O0	[L5], Left
	5GU431T5AC	1						*O0	[T5], Left
	5GU431AZAD	1						*O0	[A2], Left
8	55116545AB	2							SHIELD, Seat Belt Retractor
9									COVER, Turning Loop
	5HK91LAZAA	1						*O0	[AZ, A2]
	5HK91WL5AA	1						*O0	[L5]
	5HK91XT5AA	1						*O0	[T5]
-10	04740415	1							EXTENDER, Seat Belt

GRAND CHEROKEE (WJ)

SERIES LINE
H = Laredo T = JEEP - 2WD
P = Limited J = JEEP - 4WD

BODY
74 = SPORT UTILITY 4-DR

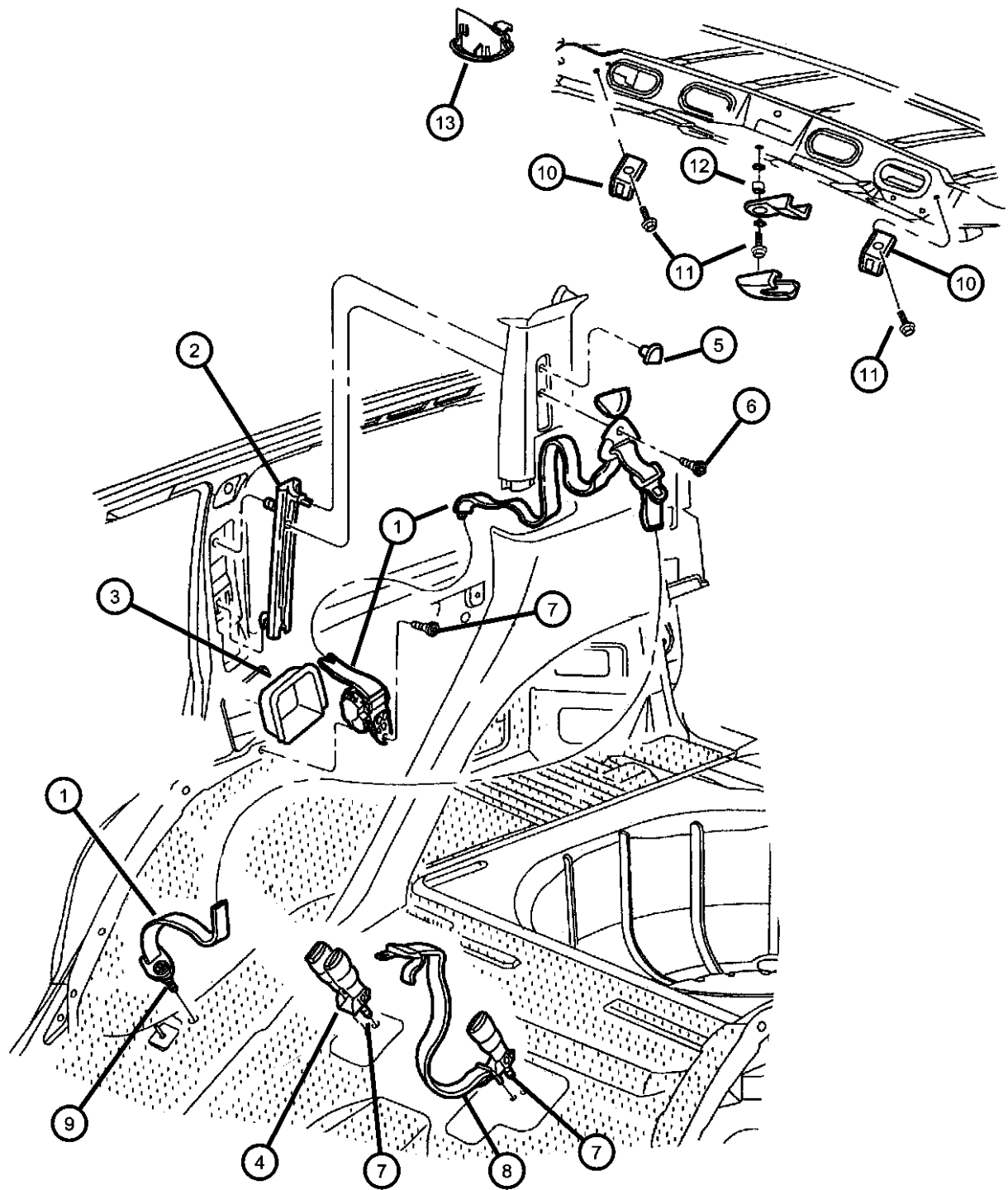
ENGINE
ERH = ENGINE - 4.0L
POWER TECH I-6
EVA = ENGINE- 4.7L V8 MPI

TRANSMISSION
DGK = TRANSMISSION - 4-SPD.
AUTOMATIC, 42RE
DQG = TRANSMISSION-5SPD
AUTOMATIC 5-45RFE
DGO = ALL AUTOMATIC
TRANSMISSIONS

AR = use ase required - = Non illustrated part

2001 WJ

Rear Seat Belt
Figure IWJ-720



ITEM	PART NUMBER	QTY	LINE	SERIES	BODY	ENGINE	TRANS	TRIM	DESCRIPTION
1									SEAT BELT, Rear Outer
	5GD621L5AH	1						*00	[L5], Right
	5GD62LAZAH	1						*00	[AZ, A2], Right
	5GD62XT5AH	1						*00	[T5], Right
	5GD631L5AH	1						*00	[L5], Left
	5GD63LAZAH	1						*00	[AZ, A2], Left
	5GD63XT5AH	1						*00	[T5], Left
2	55196689AB	2							ADJUSTER, Seat Belt Turning Loop
3	55196733AD	2							SHIELD, Seat Belt Retractor
4									SEAT BELT, Rear Inner, Right
	5FP481AZAB	1						*00	[AZ, A2]
	5FP481L5AB	1						*00	[L5]
	5FP481T5AB	1						*00	[T5]
5	55196860AA	2							BUTTON, Adjuster
6	06035888	2							SCREW, Shoulder
7	06505286AA	2							SCREW
8									SEAT BELT, Rear Inner, Left
	5FP491AZAB	1						*00	[AZ, A2]
	5FP491L5AB	1						*00	[L5]
	5FP491T5AB	1						*00	[T5]
9	06504973AA	1						*00	SCREW
10	55196861AB	2							BRACKET
11	06503257	2							BOLT, Hex Head, M8x1.25x37.50
12	55196862AA	1							SPACER
13									BEZEL, Tether anchor
	5GX26TL2AA	1						*00	[AZ, A2, L5], Right
	5GX26XT5AA	1						*00	[T5], Right
	5GX27TL2AA	1						*00	[AZ, A2, L5], Left
	5GX27XT5AA	1						*00	[T5], Left

GRAND CHEROKEE (WJ)

SERIES LINE
H = Laredo T = JEEP - 2WD
P = Limited J = JEEP - 4WD

BODY
74 = SPORT UTILITY 4-DR

ENGINE
ERH = ENGINE - 4.0L
POWER TECH I-6
EVA = ENGINE- 4.7L V8 MPI

TRANSMISSION
DGK = TRANSMISSION - 4-SPD.
AUTOMATIC, 42RE
DQG = TRANSMISSION-5SPD
AUTOMATIC 5-45RFE
DGO = ALL AUTOMATIC
TRANSMISSIONS

AR = use ase required - = Non illustrated part

2001 WJ

**Recliner and Adjusters
Figure IWJ-810**

ITEM	PART NUMBER	QTY	LINE	SERIES	BODY	ENGINE	TRANS	TRIM	DESCRIPTION
1	04373666	1						*H7	SWITCH, Seat 6 Way Power
	04601756AB	1						*FL	10 Way Power, Right
		1						*EL	10 Way Power, Right
	04601757AB	1						*FL	10 Way Power, Left
		1						*EL	10 Way Power, Left
	-2								KNOB, Power Seat Switch
-2	04607042	1						*FL	Right
		1						*EL	Right
	04607043	1						*FL	Left
-2		1						*EL	Left
	3								SCREW, Trim
	04720769	2						*EL	
-2		2						*H7	
		2						*FL	
	4								SCREW, Trim
4	04720770	4						*EL	
		4						*H7	
		4						*FL	
	5								SHIELD, Seat Adjuster
5	0SL041AZAA	1						*EL	[AZ], 10 Way Power, Right
		1						*FL	[AZ], 10 Way Power, Right
5		1						*EL	[A2], 10 Way Power, Right
	0SL041L5AA	1						*EL	[L5], 10 Way Power, Right
5		1						*FL	[L5], 10 Way Power, Right
	0SL041T5AA	1						*EL	[T5], 10 Way Power, Right
5		1						*FL	[T5], 10 Way Power, Right
	0SL051AZAA	1						*EL	[AZ], 10 Way Power, Left
5		1						*FL	[AZ], 10 Way Power, Left
		1						*EL	[A2], 10 Way Power, Left
5	0SL051L5AA	1						*EL	[L5], 10 Way Power, Left
		1						*FL	[L5], 10 Way Power, Left
5	0SL051T5AA	1						*EL	[T5], 10 Way Power, Left
		1						*FL	[T5], 10 Way Power, Left

GRAND CHEROKEE (WJ)

SERIES LINE
 H = Laredo T = JEEP - 2WD
 P = Limited J = JEEP - 4WD

BODY
 74 = SPORT UTILITY 4-DR

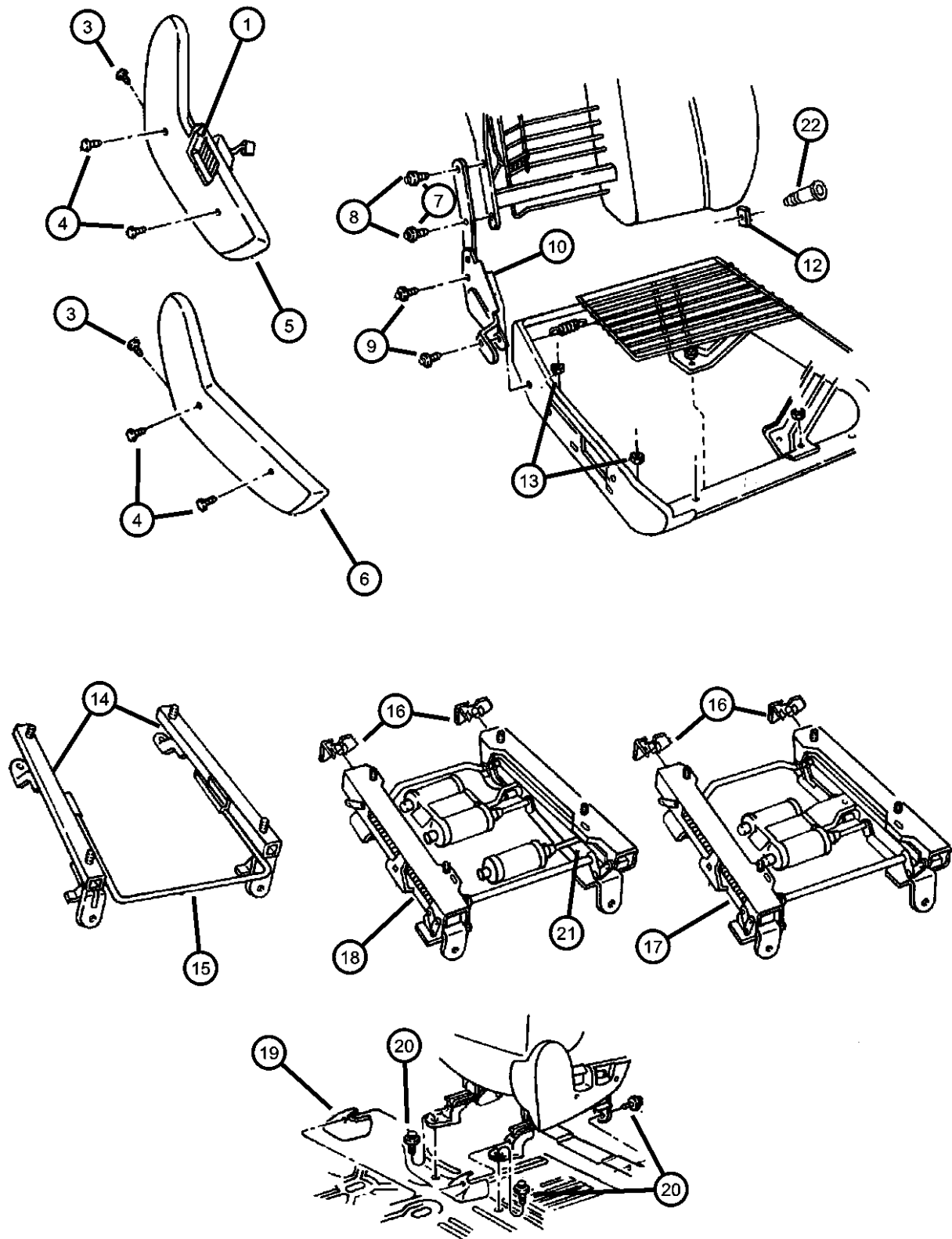
ENGINE
 ERH = ENGINE - 4.0L
 POWER TECH I-6
 EVA = ENGINE- 4.7L V8 MPI

TRANSMISSION
 DGK = TRANSMISSION - 4-SPD.
 AUTOMATIC, 42RE
 DGQ = TRANSMISSION-5SPD
 AUTOMATIC 5-45RFE
 DGO = ALL AUTOMATIC
 TRANSMISSIONS

AR = use ase required - = Non illustrated part

2001 WJ

**Recliner and Adjusters
Figure IWJ-810**



ITEM	PART NUMBER	QTY	LINE	SERIES	BODY	ENGINE	TRANS	TRIM	DESCRIPTION
	0SL061AZAA	1						*H7	[AZ], 6 Way Power, Right
	0SL061L5AA	1						*H7	[L5], 6 Way Power, Right
	0SL061T5AA	1						*H7	[T5], 6 Way Power, Right
	0SL071AZAA	1						*H7	[AZ], 6 Way Power, Left
	0SL071L5AA	1						*H7	[L5], 6 Way Power, Left
	0SL071T5AA	1						*H7	[T5], 6 Way Power, Left
6									SHIELD, Seat Adjuster
	0SL021AZAA	1						*H7	[AZ], Right, Manual
	0SL021L5AA	1						*H7	[L5], Right, Manual
	0SL021T5AA	1						*H7	[T5], Right, Manual
	0SL031AZAA	1						*H7	[AZ], Left, Manual
	0SL031L5AA	1						*H7	[L5], Left, Manual
	0SL031T5AA	1						*H7	[T5], Left, Manual
7									BOLT, Recliner to Seat Back, Manual Upper
	04720768	4						*H7	
		4						*EL	
8									BOLT, Power Recliner
	04882903	8						*EL	
		8						*H7	
		8						*FL	
9	04796793	4						*H7	BOLT, Recliner To Cushion, Front Seat
10									RECLINER, Seat Back
	04796714	1						*H7	Includes Handle, Right, Manual
	04796715	1						*H7	Includes Handle, Left, Manual
	04856748	1						*EL	Right, Power Seat
		1						*H7	Right, Power Seat
		1						*FL	Right, Power Seat
	04856749	1						*H7	Left, Power Seat
		1						*FL	Left, Power Seat
	04864861	1						*EL	Power With Memory, Driver
-11									KNOB, Power Seat Switch, Power Recliner
	04607044	1						*FL	Right

GRAND CHEROKEE (WJ)

SERIES LINE
 H = Laredo T = JEEP - 2WD
 P = Limited J = JEEP - 4WD

BODY
 74 = SPORT UTILITY 4-DR

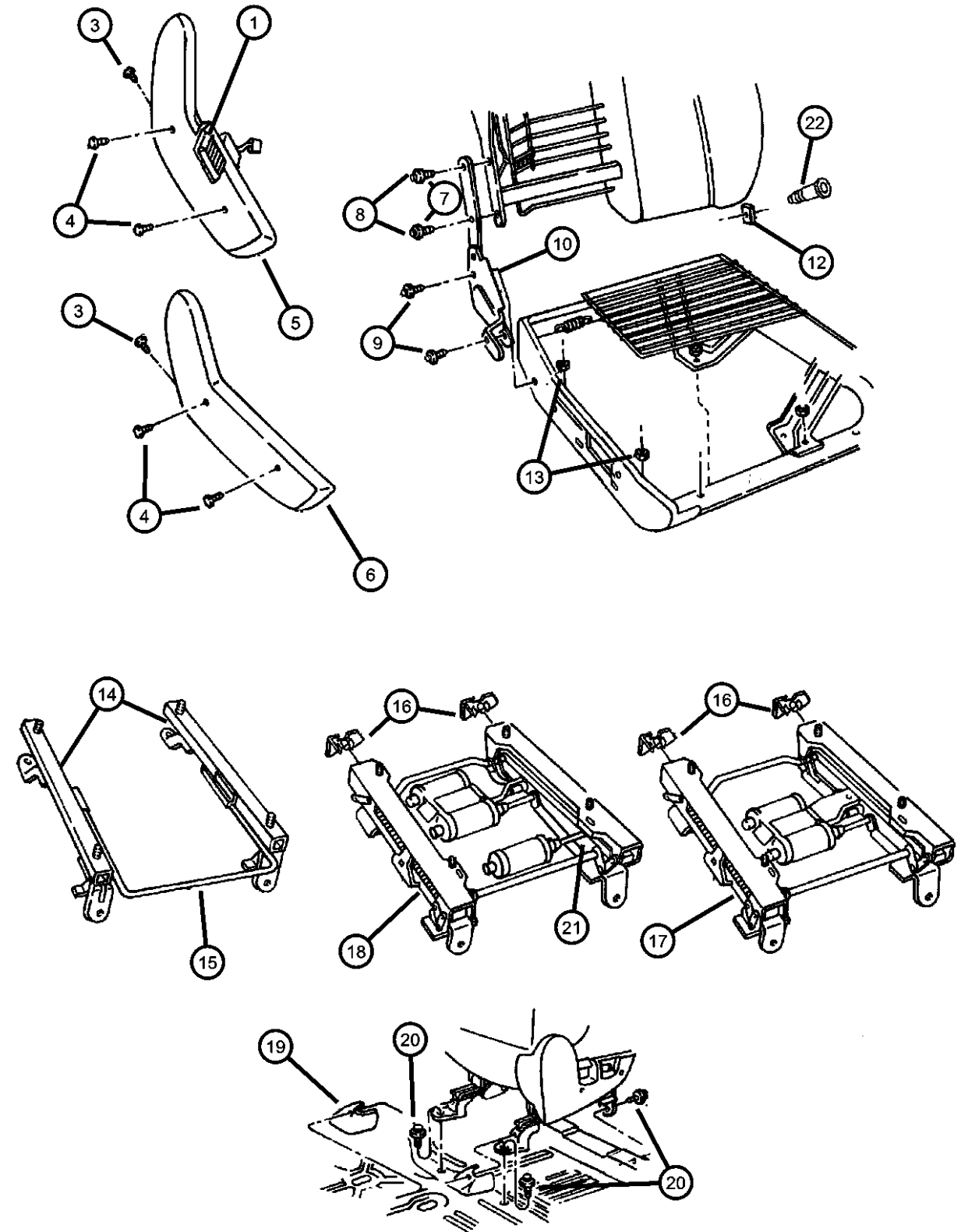
ENGINE
 ERH = ENGINE - 4.0L
 POWER TECH I-6
 EVA = ENGINE- 4.7L V8 MPI

TRANSMISSION
 DGK = TRANSMISSION - 4-SPD.
 AUTOMATIC, 42RE
 DQG = TRANSMISSION-5SPD
 AUTOMATIC 5-45RFE
 DGO = ALL AUTOMATIC
 TRANSMISSIONS

AR = use ase required - = Non illustrated part

**Recliner and Adjusters
Figure IWJ-810**

ITEM	PART NUMBER	QTY	LINE	SERIES	BODY	ENGINE	TRANS	TRIM	DESCRIPTION
		1						*EL	Right
	04607045	1						*FL	Left
		1						*EL	Left
12	05101925AA	8						*O0	NUT, Seat Adjuster To Cushion
13	06101467	2							NUT, Hex Flange, M8x1.25
14									ADJUSTER, Manual Seat
	05015564AA	1						*H7	Right, Outboard
	05015565AA	1						*H7	Left, Outboard
	05015566AA	1						*H7	Right, Inboard
	05015567AA	1						*H7	Without Taveling Inboard Buckle, Left, Inboard
15	04713930	2						*H7	HANDLE, Seat Release
16									SHIELD, Seat Adjuster
	04723888	2						*EL	Driver Inboard, Passenger Outboard
		2						*H7	Driver Inboard, Passenger Outboard
		2						*FL	Driver Inboard, Passenger Outboard
	04723889	2						*EL	Driver Outboard, Passenger Inboard
		2						*H7	Driver Outboard, Passenger Inboard
		2						*FL	Driver Outboard, Passenger Inboard
17									ADJUSTER, Power Seat, Without Memory
	05015570AA	1						*EL	Right
		1						*H7	Right
		1						*FL	Right
	05015571AA	1						*H7	Left
		1						*FL	Left
18	05015569AA	1						*EL	ADJUSTER, Power Seat, With MemoryLeft
19									COVER, Power Seat Track
	5FZ19LAZAA	4						*O0	[AZ]
	5FZ19WL8AA	4						*O0	[L5]
	5FZ19XTMAA	4						*O0	[T5]

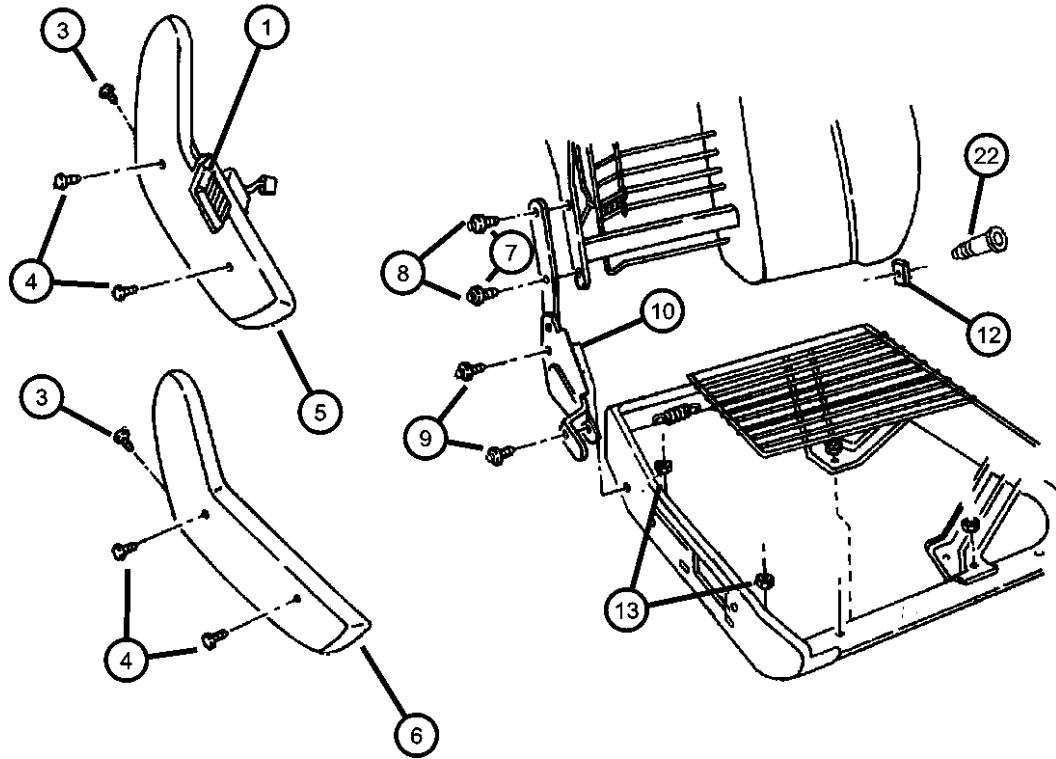


GRAND CHEROKEE (WJ)
 SERIES LINE BODY ENGINE TRANSMISSION
 H = Laredo T = JEEP - 2WD 74 = SPORT UTILITY 4-DR ERH = ENGINE - 4.0L DGK = TRANSMISSION - 4-SPD. AUTOMATIC, 42RE
 P = Limited J = JEEP - 4WD POWER TECH I-6 DQG = TRANSMISSION-5SPD AUTOMATIC 5-45RFE
 EVA = ENGINE- 4.7L V8 MPI DGO = ALL AUTOMATIC TRANSMISSIONS

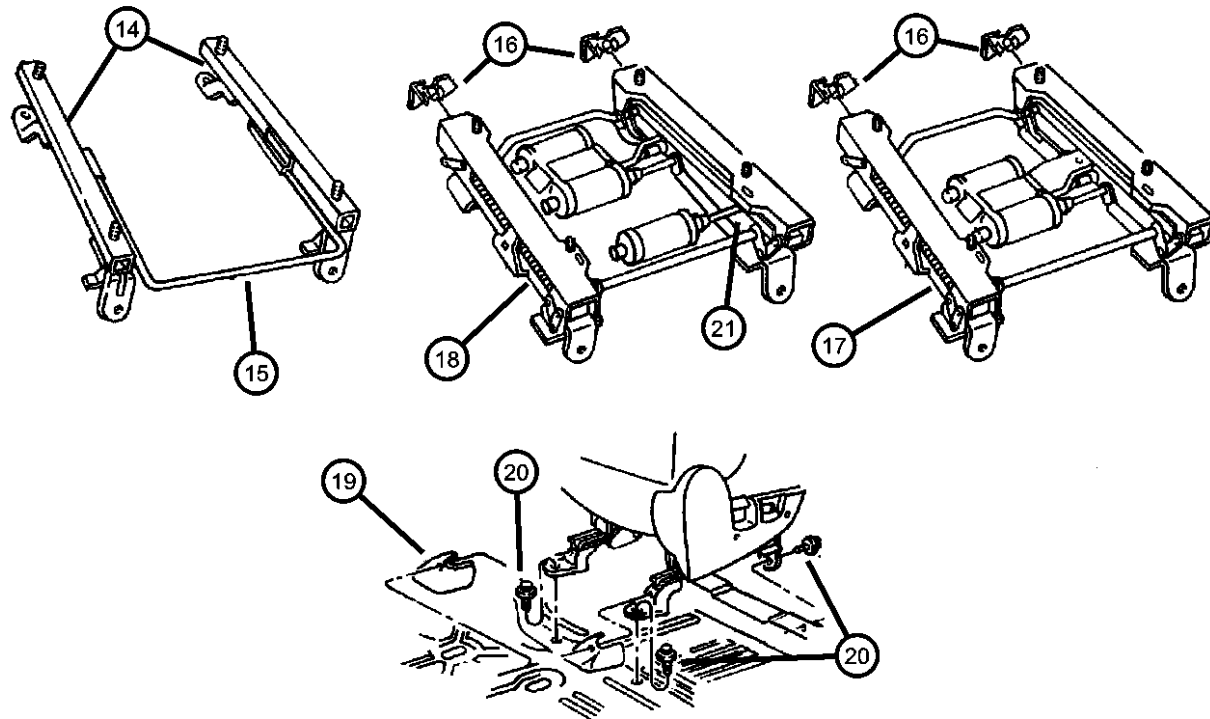
AR = use ase required - = Non illustrated part

**Recliner and Adjusters
Figure IWJ-810**

ITEM	PART NUMBER	QTY	LINE	SERIES	BODY	ENGINE	TRANS	TRIM	DESCRIPTION
------	-------------	-----	------	--------	------	--------	-------	------	-------------



20	06505040AA	8							SCREW, Hex Head, M10x1.5x40
21	05013125AA	1						*EL	BRACKET, Module, With Memory
22									BOLT, Shoulder, I.B.-Back To Cushion-Pivot
	05016212AA	2						*EL	
		2						*H7	
		2						*FL	



GRAND CHEROKEE (WJ)

SERIES LINE
H = Laredo T = JEEP - 2WD
P = Limited J = JEEP - 4WD

BODY
74 = SPORT UTILITY 4-DR

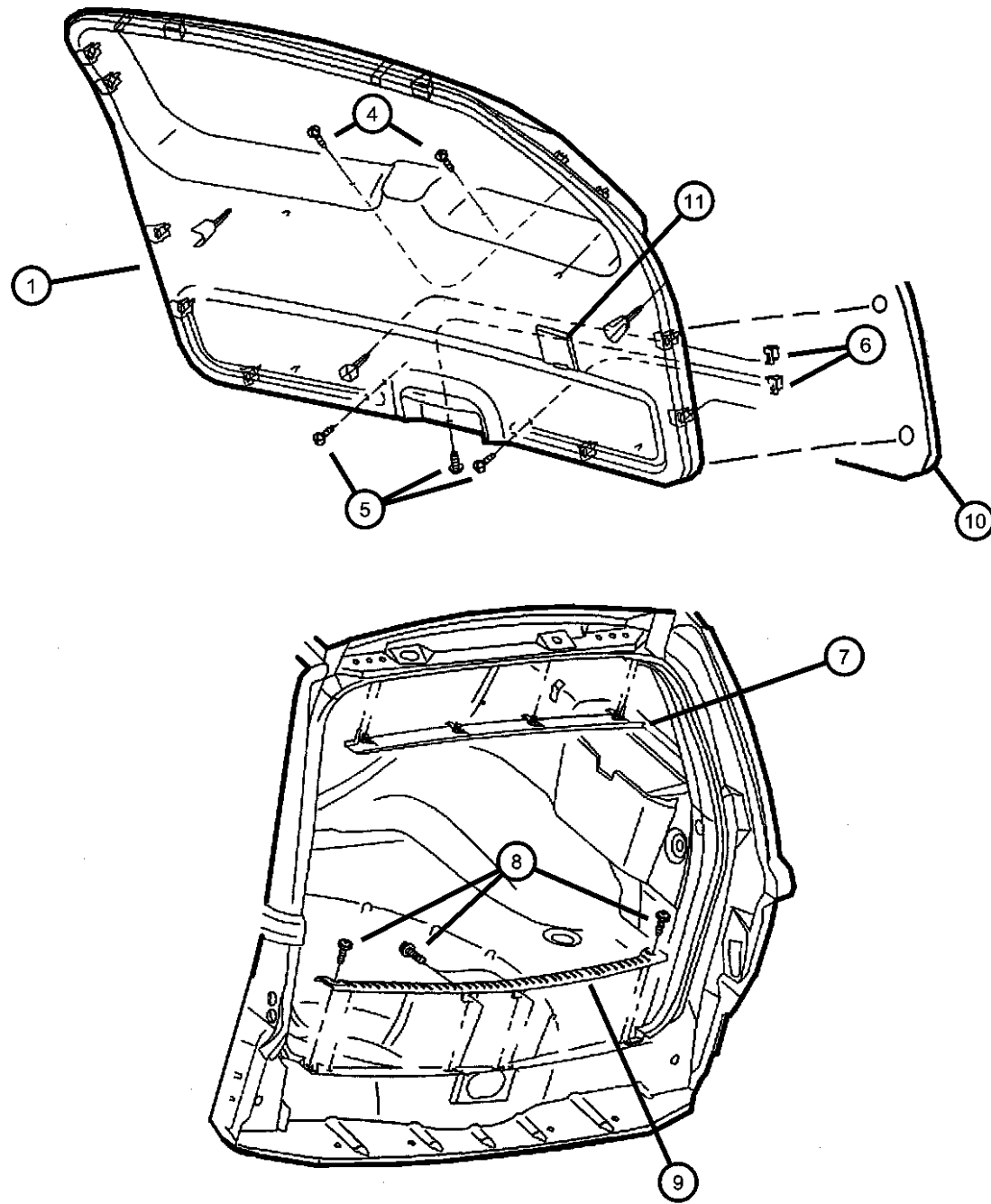
ENGINE
ERH = ENGINE - 4.0L
POWER TECH I-6
EVA = ENGINE- 4.7L V8 MPI

TRANSMISSION
DGK = TRANSMISSION - 4-SPD.
AUTOMATIC, 42RE
DGQ = TRANSMISSION-5SPD
AUTOMATIC 5-45RFE
DGO = ALL AUTOMATIC
TRANSMISSIONS

AR = use ase required - = Non illustrated part

2001 WJ

Liftgate Panel and Scuff Plate
Figure IWJ-1010



ITEM	PART NUMBER	QTY	LINE	SERIES	BODY	ENGINE	TRANS	TRIM	DESCRIPTION
1									PANEL, Liftgate
	5FS80LAZAE	1						*00	[AZ]
	5FS80WL5AE	1						*00	[L5]
	5FS80XT5AE	1						*00	[T5]
	5FS80LAZAG	1						*00	[A2]
-2	06502991	6						*00	FASTENER, M7.1 Hole Push In, For M7.1 Hole
-3	06503709	4						*00	PIN, Door Panel, Trim Panel Attach
4	06503709	4							SCREW AND WASHER, M4.2X1.41X52.80, (NOT SERVICED)
5	06032723	3							SCREW, Self Tapping, M4.2x1.69x19.05
6	06032723	3							NUT, M4.2X1.70, (NOT SERVICED)
7									PANEL, Liftgate
	5FA67LAZAC	1						*00	[AZ, A2], Upper
	5FA67WL5AC	1						*00	[L5],
	5FA67XT5AC	1						*00	[T5]
8	5FA67XT5AC	1							SCREW, [.164-18X.625], (NOT SERVICED),
9									PLATE, Liftgate Scuff
	5FS82LAZAC	1						*00	[AZ, A2]
	5FS82WL5AC	1						*00	[L5]
	5FS82XT5AC	1						*00	[T5]
10	55136185AC	1							INSULATION, Liftgate
11									COVER, Liftgate
	0TH63LAZAA	1						*00	[AZ, A2]
	0TH63WL5AA	1						*00	[L5]
	0TH63XT5AA	1						*00	[T5]

GRAND CHEROKEE (WJ)

SERIES LINE
H = Laredo T = JEEP - 2WD
P = Limited J = JEEP - 4WD

BODY
74 = SPORT UTILITY 4-DR

ENGINE
ERH = ENGINE - 4.0L
POWER TECH I-6
EVA = ENGINE- 4.7L V8 MPI

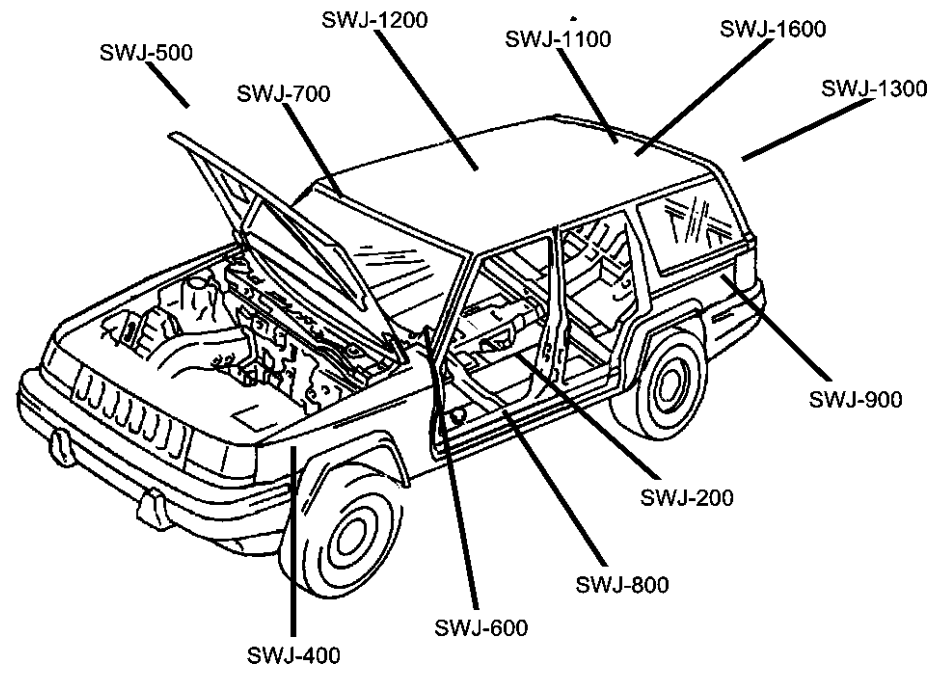
TRANSMISSION
DGK = TRANSMISSION - 4-SPD.
AUTOMATIC, 42RE
DGQ = TRANSMISSION-5SPD
AUTOMATIC 5-45RFE
DGO = ALL AUTOMATIC
TRANSMISSIONS

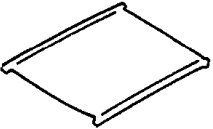

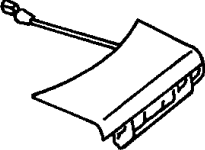
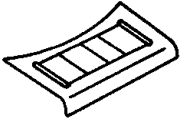
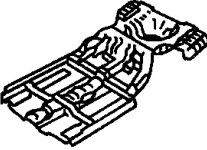

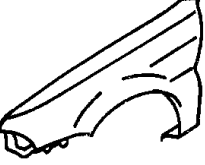
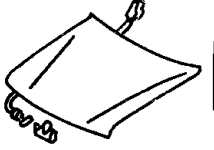
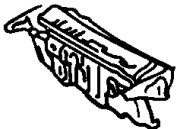
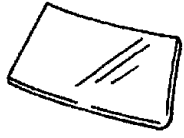
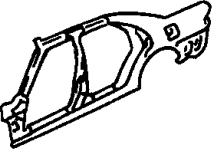
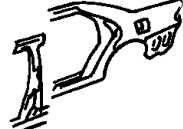
AR = use ase required - = Non illustrated part

2001 WJ

Group - SWJ

Body Sheet Metal Except Doors

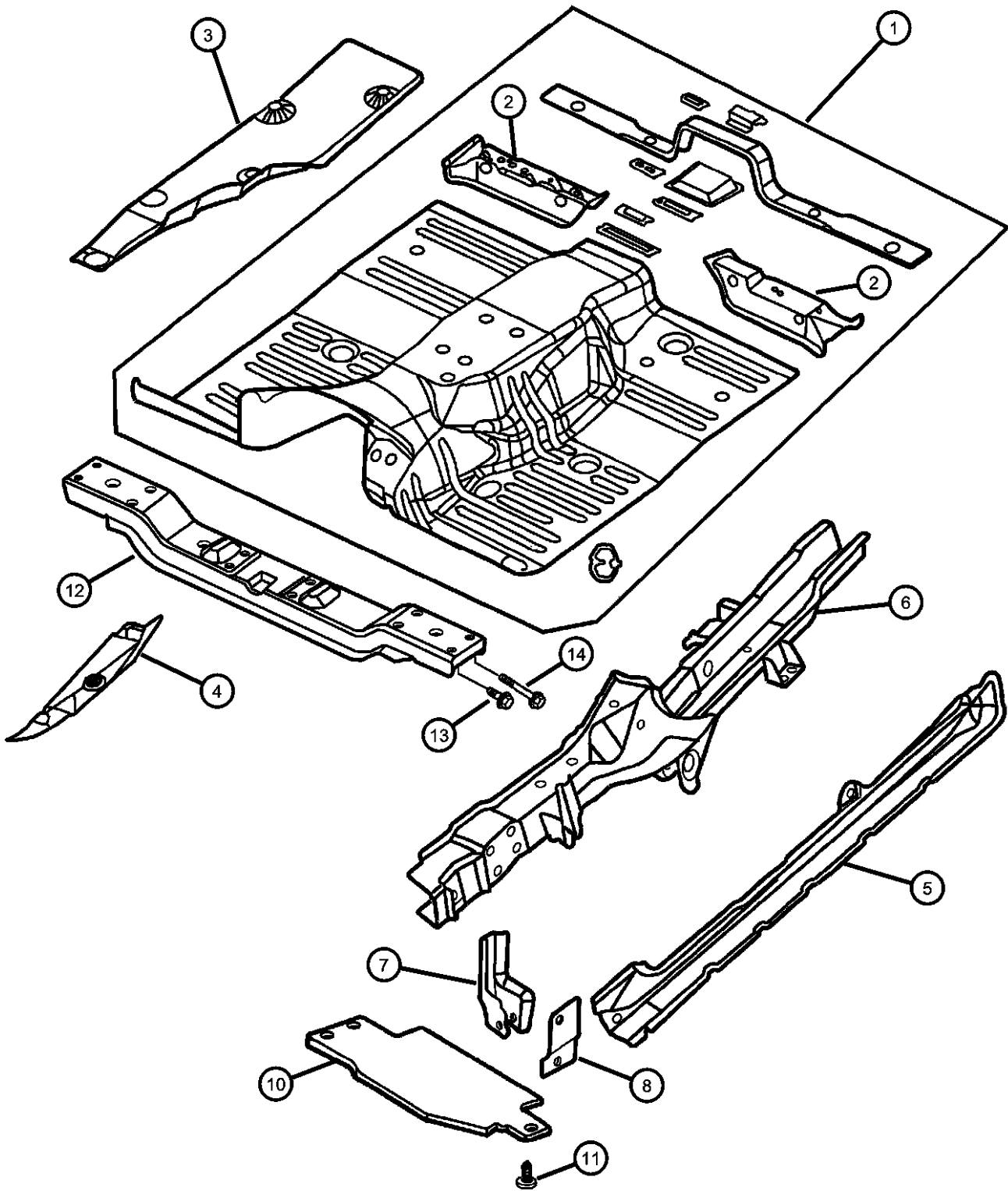


SWJ-1100 Roof Panels 	SWJ-1200 Sunroof 	SWJ-1300 Liftgate Panel 	SWJ-1600 Luggage Rack 
SWJ-200 Floor Pans 	SWJ-300 Plugs 	SWJ-400 Front Fenders 	SWJ-500 Hood and Hood Release 
SWJ-600 Cowl and Dash Panel 	SWJ-700 Glass and Rear View Mirror 	SWJ-800 Aperture Panel 	SWJ-900 Quarter Panel and Pillars 

Group - SWJ Body Sheet Metal Except Doors

Illustration Title	Group-Fig. No.
Floor Pans	
Front Floor Pan.....	Fig. SWJ - 210
Center and Rear Floor Pan.....	Fig. SWJ - 220
Plugs	
Plugs.....	Fig. SWJ - 310
Front Fenders	
Front Fender.....	Fig. SWJ - 410
Hood and Hood Release	
Hood, Latch, Hinges.....	Fig. SWJ - 510
Cowl and Dash Panel	
Panels, Cowl and Dash.....	Fig. SWJ - 610
Insulation, Dash And Cowl.....	Fig. SWJ - 620
Glass and Rear View Mirror	
Glass, Windshield, Backlite, Quarter Window, Rear View Mirror.....	Fig. SWJ - 710
Aperture Panel	
Panels, Body Side.....	Fig. SWJ - 810
Quarter Panel and Pillars	
Panels, Rear Quarter.....	Fig. SWJ - 910
Roof Panels	
Panels, Roof.....	Fig. SWJ - 1110
Sunroof	
Sunroof.....	Fig. SWJ - 1210
Liftgate Panel	
Liftgate, Latch and Hinges.....	Fig. SWJ - 1310
Luggage Rack	
Roof Rack.....	Fig. SWJ - 1610

Front Floor Pan
Figure SWJ-210



ITEM	PART NUMBER	QTY	LINE	SERIES	BODY	ENGINE	TRANS	TRIM	DESCRIPTION
1	55296400AE	1							PAN, Floor
2	55136340AD	1							REINFORCEMENT, Front Seat Right
	55136341AD	1							Left
3	55135709AC	1							SHIELD, Heat
4	55135712AD	1							SHIELD, Heat
5	55135802AC	1							SILL, Body Side Right
	55135803AC	1							Left
6	05012524AD	1							RAIL, Frame Side Right
	05012525AD	1							Left
7	55136317	1							BRACKET, Track BarInner
8	55136319	1							BRACKET, Track BarOuter
-9	06101916	2							NUT, Hex Weld, M8x1.25
10	55135781	1							SHIELD, Splash
11	06034608	4							PIN, Headline
12	52058940AB	1							CROSSMEMBER, Transmission
13	06506000AA	4							SCREW AND WASHER
14	06505671AA	4							SCREW AND WASHER

GRAND CHEROKEE (WJ)

SERIES LINE
H = Laredo T = JEEP - 2WD
P = Limited J = JEEP - 4WD

BODY
74 = SPORT UTILITY 4-DR

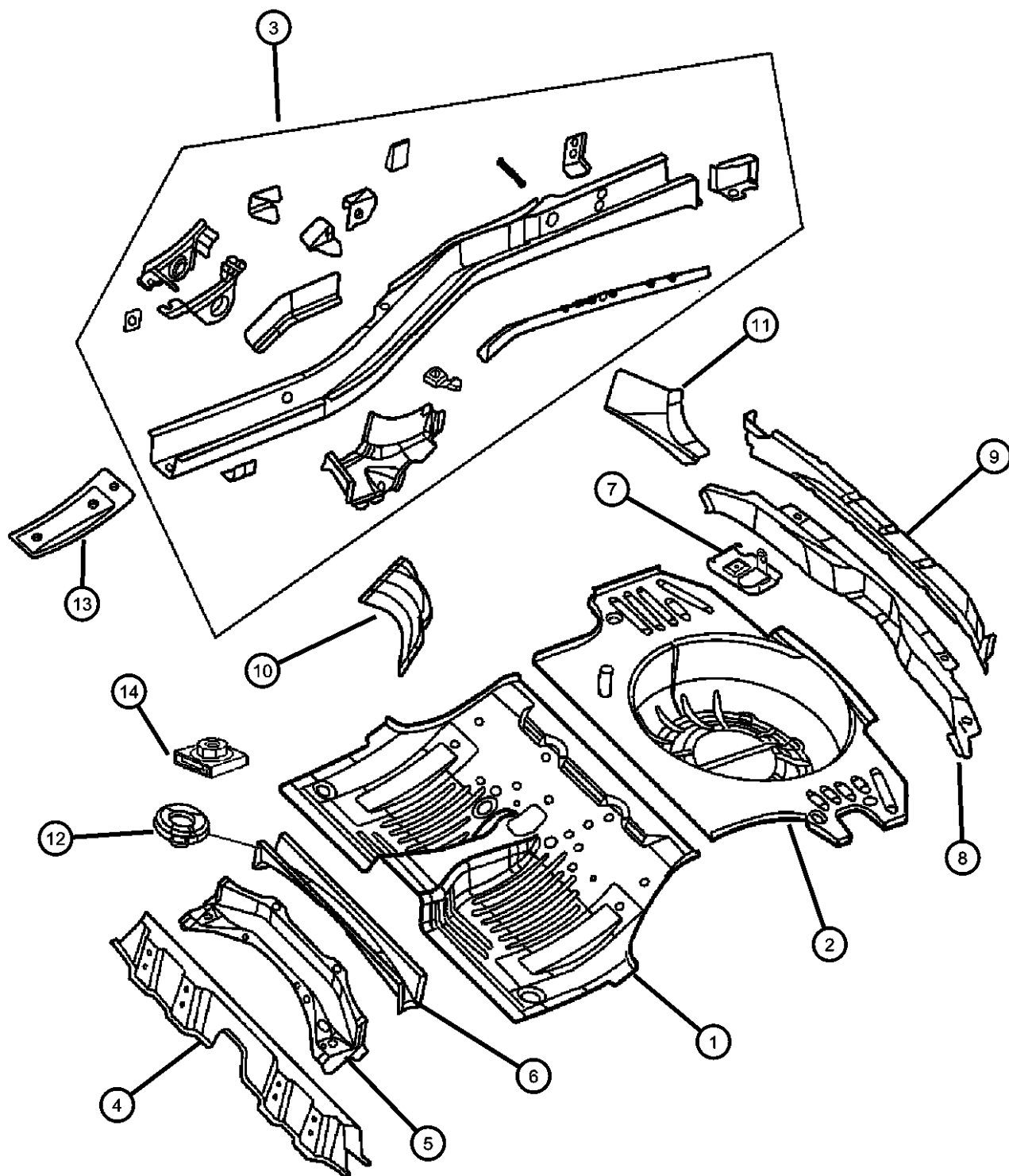
ENGINE
ERH = ENGINE - 4.0L
POWER TECH I-6
EVA = ENGINE- 4.7L V8 MPI

TRANSMISSION
DGK = TRANSMISSION - 4-SPD.
AUTOMATIC, 42RE
DGQ = TRANSMISSION-5SPD
AUTOMATIC 5-45RFE
DGO = ALL AUTOMATIC
TRANSMISSIONS

AR = use ase required - = Non illustrated part

2001 WJ

**Center and Rear Floor Pan
Figure SWJ-220**



ITEM	PART NUMBER	QTY	LINE	SERIES	BODY	ENGINE	TRANS	TRIM	DESCRIPTION
1	55136940AE	1							PAN, FloorCenter
2	55136377AE	1							PAN, Rear Floor
3									RAIL, Rear Floor Pan Side
	05014932AC	1							Right
	05014933AC	1							Left
4	55136163AE	1							CROSSMEMBER, Rear Floor
5	55137279AC	1							CROSSMEMBER, Rear Floor Pan Front
6	55136511AD	1							CROSSMEMBER, Rear Floor
7	55295800AD	1							BRACKET, Jack
8	55136558AE	1							CROSSMEMBER, Rear FloorRear Inner
9	55136179AD	1							CROSSMEMBER, Rear FloorRear Outer
10	55136160AE	1							SHIELD, Fuel Tank
11									GUSSET, Side Member
	55135504AC	1							Right
	55135505AC	1							Left
12	05014781AA	2							GUIDE, Rear Spring, None
13	55136164AE	2							REINFORCEMENT, Rear Floor Pan Rear Rail
14	55136398AB	2							PLATE, Control Arm

GRAND CHEROKEE (WJ)

SERIES LINE
H = Laredo T = JEEP - 2WD
P = Limited J = JEEP - 4WD

BODY
74 = SPORT UTILITY 4-DR

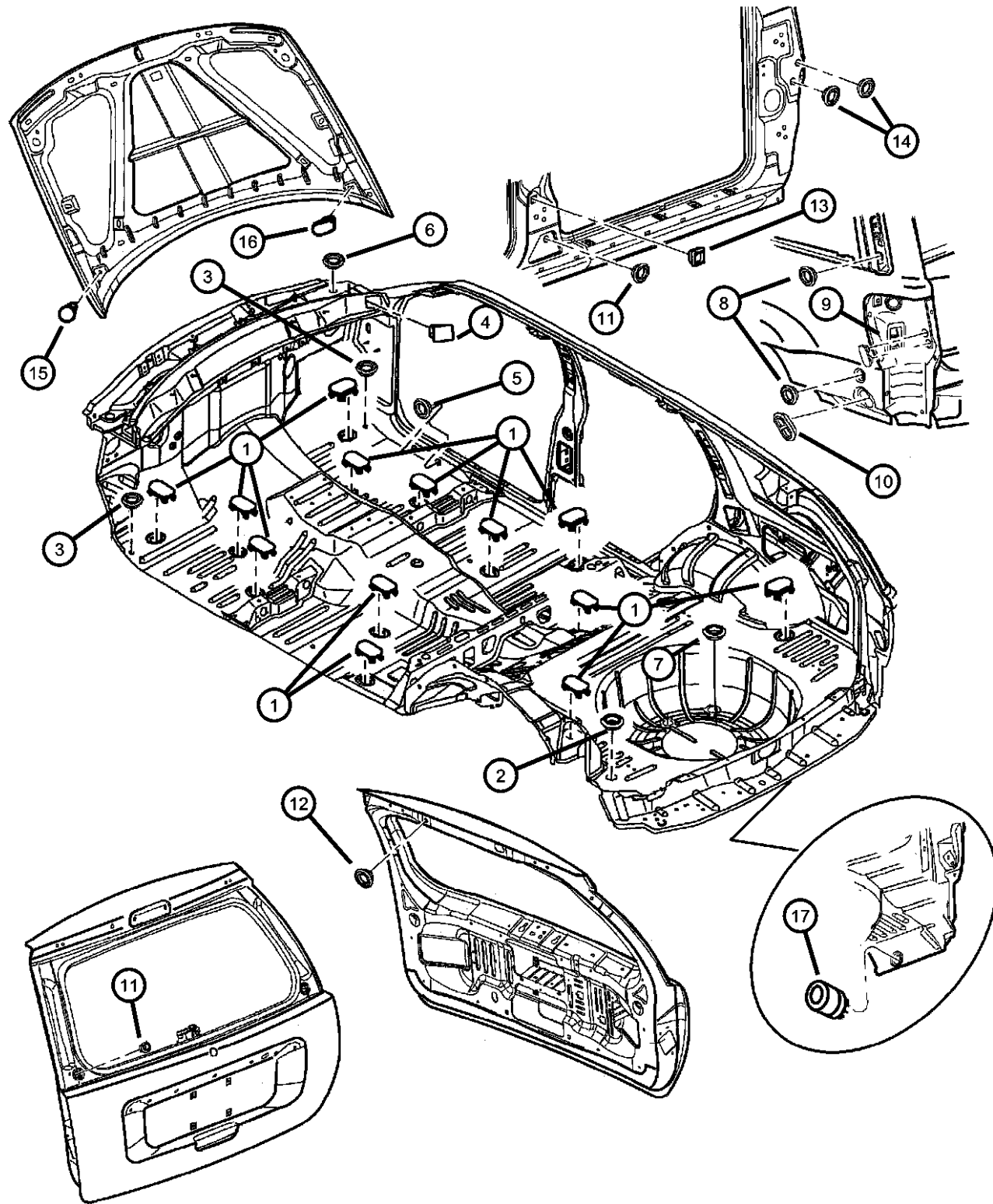
ENGINE
ERH = ENGINE - 4.0L
POWER TECH I-6
EVA = ENGINE- 4.7L V8 MPI

TRANSMISSION
DGK = TRANSMISSION - 4-SPD.
AUTOMATIC, 42RE
DGQ = TRANSMISSION-5SPD
AUTOMATIC 5-45RFE
DGO = ALL AUTOMATIC
TRANSMISSIONS

AR = use ase required - = Non illustrated part

2001 WJ

Plugs
Figure SWJ-310



ITEM	PART NUMBER	QTY	LINE	SERIES	BODY	ENGINE	TRANS	TRIM	DESCRIPTION
1	04580343	13							PLUG, Floor Pan
2	02424864	1							PLUG, Body, 1.75 Diameter
3	02860332	4							PLUG, Anti-Rattle
4	55136507AB	1							PLUG, BodyCowl Top
5	55257380AA	12							PLUG
6	55136456AB	1							PLUG, Body
7	55136594AA	1							PLUG, Body
8	04440294	7							PLUG, Rear Fascia
9	55136948AA	2							TAPE, Body Side
10	55136562AB	2							PLUG, Body
11	04674441	1							PLUG, Body, .75 Diameter
12	05255217	1							PLUG, Dash Panel
13	55136566AA	4							PLUG, Body
14	55136859AA	2							PLUG
15	55136755AA	1							PLUG, Body
16	55136752AA	1							PLUG, Body
17	55135856AB	2							PLUG, Body
-18	55136844AE	1							PLUG, Floor

GRAND CHEROKEE (WJ)

SERIES LINE
H = Laredo T = JEEP - 2WD
P = Limited J = JEEP - 4WD

BODY
74 = SPORT UTILITY 4-DR

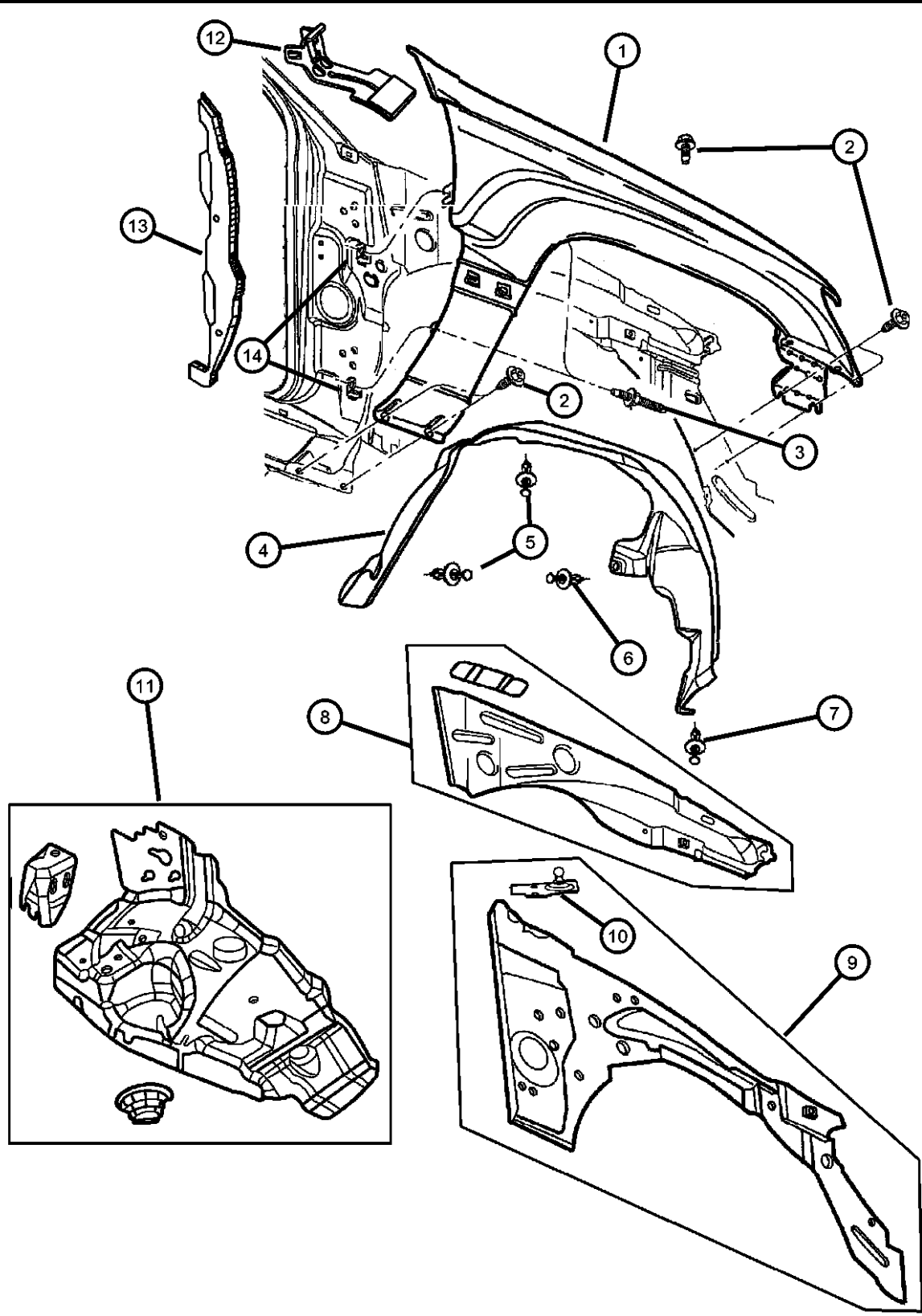
ENGINE
ERH = ENGINE - 4.0L
POWER TECH I-6
EVA = ENGINE- 4.7L V8 MPI

TRANSMISSION
DGK = TRANSMISSION - 4-SPD.
AUTOMATIC, 42RE
DGQ = TRANSMISSION-5SPD
AUTOMATIC 5-45RFE
DGO = ALL AUTOMATIC
TRANSMISSIONS

AR = use ase required - = Non illustrated part

2001 WJ

Front Fender
Figure SWJ-410



ITEM	PART NUMBER	QTY	LINE	SERIES	BODY	ENGINE	TRANS	TRIM	DESCRIPTION
1									FENDER, Front
	55135900AC	1							Right
	55135901AC	1							Left
2	55135901AC	1							SCREW, M6X1.00X15.00, (NOT SERVICED)
3	55135901AC	1							STUD, Double Ended, M6X1.00X57.00, (NOT SERVICED)
4									LINER, Front Fender
	55136228AB	1							Right
	55136229AB	1							Left
5	06034608	4							PIN, Headline
6	34201631	6							RIVET, M6.25x28 Black
7	06506293AA	12							PIN, Push
8									REINFORCEMENT, Cowl Side
	55136354AH	1							Right
	55136355AH	1							Left
9									PANEL, Cowl
	55135442AE	1							Right
	55135443AE	1							Left
10									BRACKET, Ball to Body
	55136434	1							Right
	55136435	1							Left
11									SUPPORT, Front Suspension
	05017481AC	1							Right
	05017504AC	1							Left
12	55136774AA	2							BRACKET, Fender
13									FILLER, Fender to Wheelhouse
	55135793AC	1							Left
	55135866AC	1							Right
14	55136586AB	4							BRACKET, Fender

GRAND CHEROKEE (WJ)

SERIES LINE
H = Laredo T = JEEP - 2WD
P = Limited J = JEEP - 4WD

BODY
74 = SPORT UTILITY 4-DR

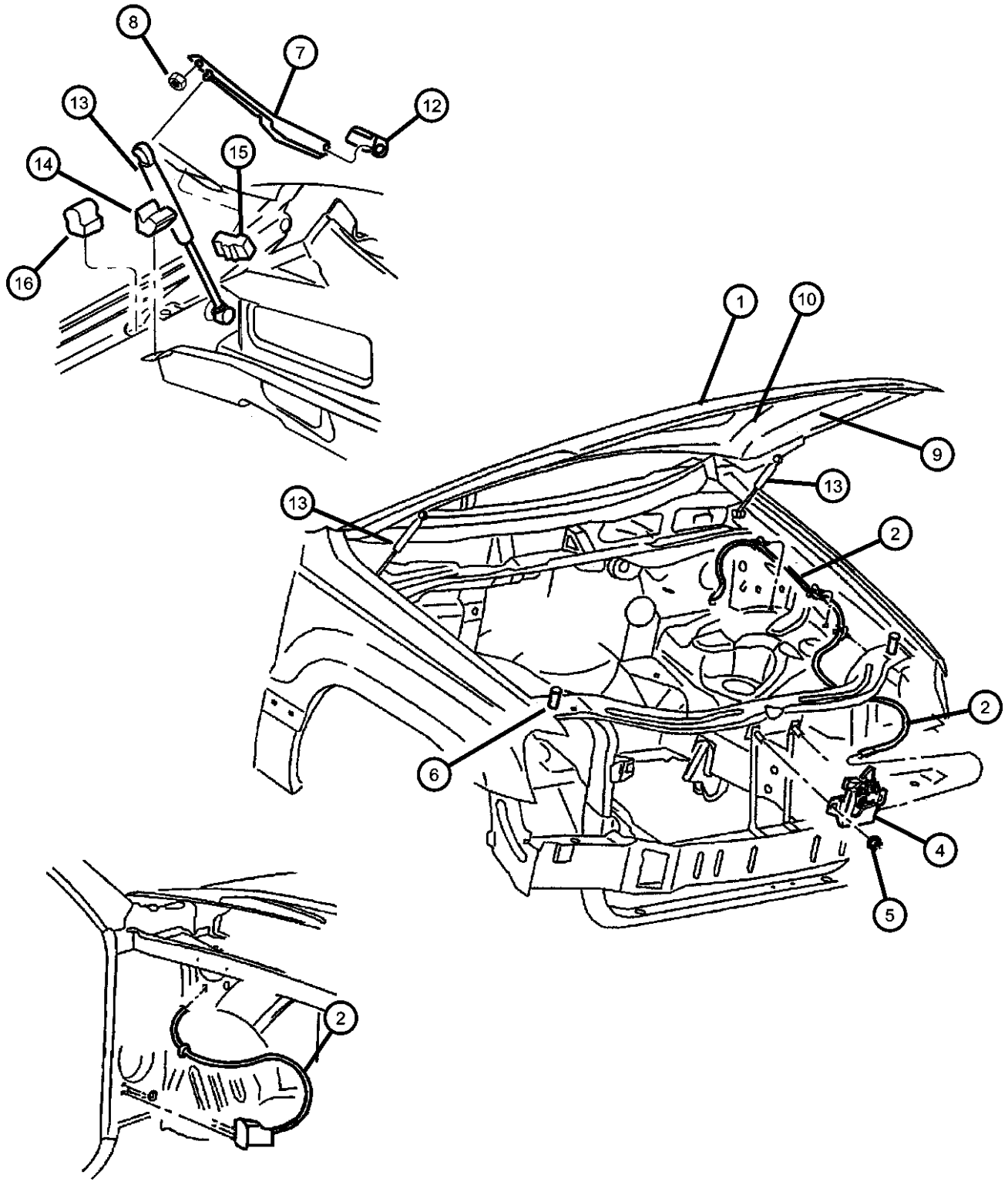
ENGINE
ERH = ENGINE - 4.0L
POWER TECH I-6
EVA = ENGINE- 4.7L V8 MPI

TRANSMISSION
DGK = TRANSMISSION - 4-SPD.
AUTOMATIC, 42RE
DGQ = TRANSMISSION-5SPD
AUTOMATIC 5-45RFE
DGO = ALL AUTOMATIC
TRANSMISSIONS

AR = use ase required - = Non illustrated part

2001 WJ

Hood, Latch, Hinges
Figure SWJ-510



ITEM	PART NUMBER	QTY	LINE	SERIES	BODY	ENGINE	TRANS	TRIM	DESCRIPTION
1	55076470AD	1							HOOD
2	55135532	1							CABLE, Hood Release
-3	06503794	3							CLIP, M6.3x11.2
4	55135600	1							LATCH, Hood
5	06101446	2							NUT AND WASHER
6	04103165	2							BUMPER, Hood
7									HINGE, Hood
	55256196AB	1							Right
	55256197AB	1							Left
8	06503664	4							NUT AND WASHER, Hex Nut-Coned Washer, M6 x 1.00
9	55196298AC	1							INSULATION, Hood
10	55116446AA	1							LABEL, Refrigerant
-11	06003351	12							RETAINER, Hood Insulation, .415x.690
12									COVER, Hinge
	55156110AA	1							Right
	55156111AA	1							Left
13	55136764AA	2							PROP, Hood
	VHWJ9904AA								Mopar Alternative Hood Support Kit (2-hood supports)
14	55136545AA	2							SEAL, HoodLower
15	55136549AA	2							SEAL, HoodUpper
16	55136550AA	2							SEAL, HoodOuter

GRAND CHEROKEE (WJ)

SERIES LINE
H = Laredo T = JEEP - 2WD
P = Limited J = JEEP - 4WD

BODY
74 = SPORT UTILITY 4-DR

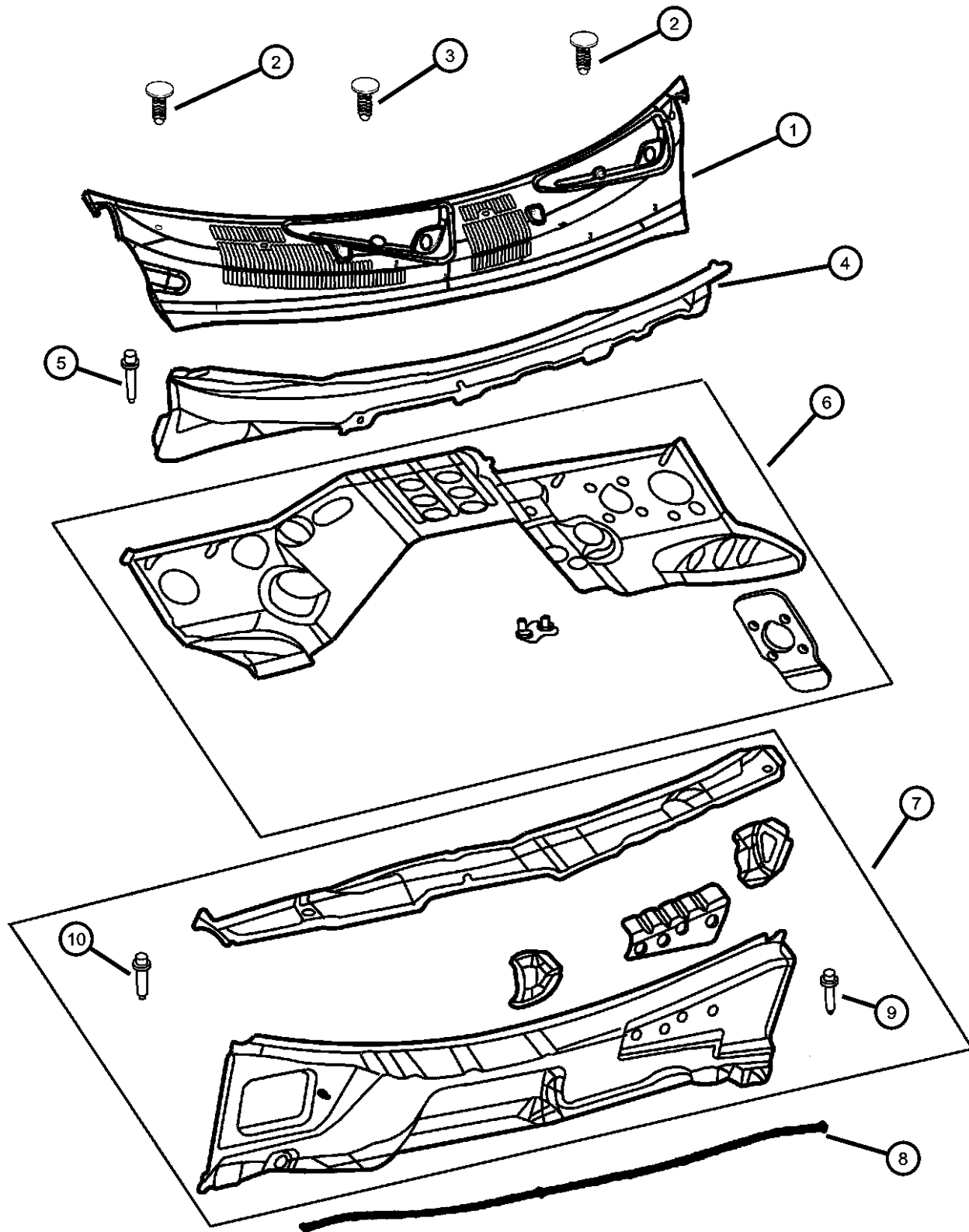
ENGINE
ERH = ENGINE - 4.0L
POWER TECH I-6
EVA = ENGINE- 4.7L V8 MPI

TRANSMISSION
DGK = TRANSMISSION - 4-SPD.
AUTOMATIC, 42RE
DGO = TRANSMISSION-5SPD
AUTOMATIC 5-45RFE
DGO = ALL AUTOMATIC
TRANSMISSIONS

AR = use ase required - = Non illustrated part

2001 WJ

**Panels, Cowl and Dash
Figure SWJ-610**



ITEM	PART NUMBER	QTY	LINE	SERIES	BODY	ENGINE	TRANS	TRIM	DESCRIPTION
1	55155355AB	1							COVER, Cowl Grille
2	06505319AA	4							NUT, M6x1.00
3	06503339	2							NUT, Plastic
4	55135369AC	1							PANEL, Cowl Top
5	06505511AA	4							STUD
6	55135358AB	1							PANEL, Dash
7	55135451AB	1							PANEL, Cowl And Plenum
8	55135392AB	1							SEAL, Hood To Plenum
9	06504758	3							STUD, M8x
10	06504952AA	3							STUD

GRAND CHEROKEE (WJ)

SERIES LINE
H = Laredo T = JEEP - 2WD
P = Limited J = JEEP - 4WD

BODY
74 = SPORT UTILITY 4-DR

ENGINE
ERH = ENGINE - 4.0L
POWER TECH I-6
EVA = ENGINE- 4.7L V8 MPI

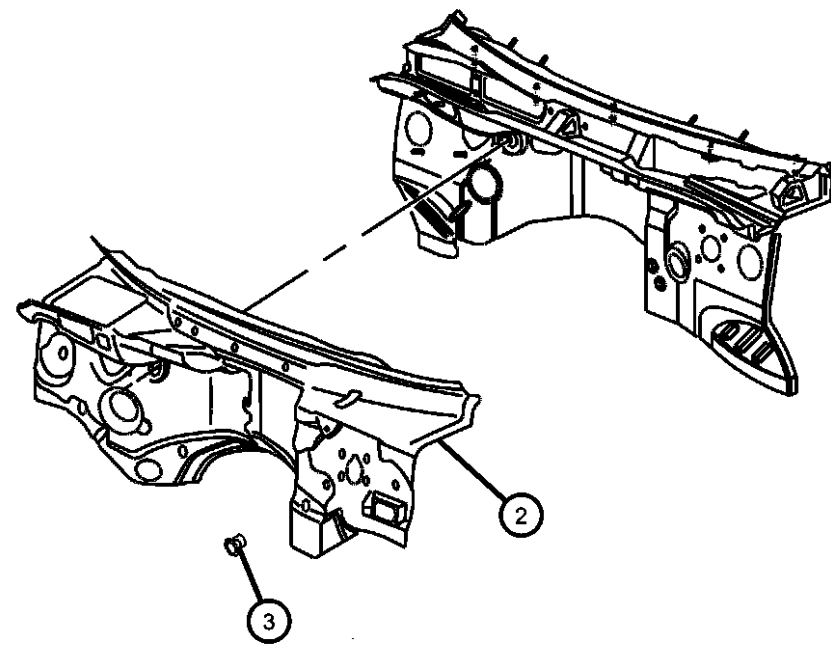
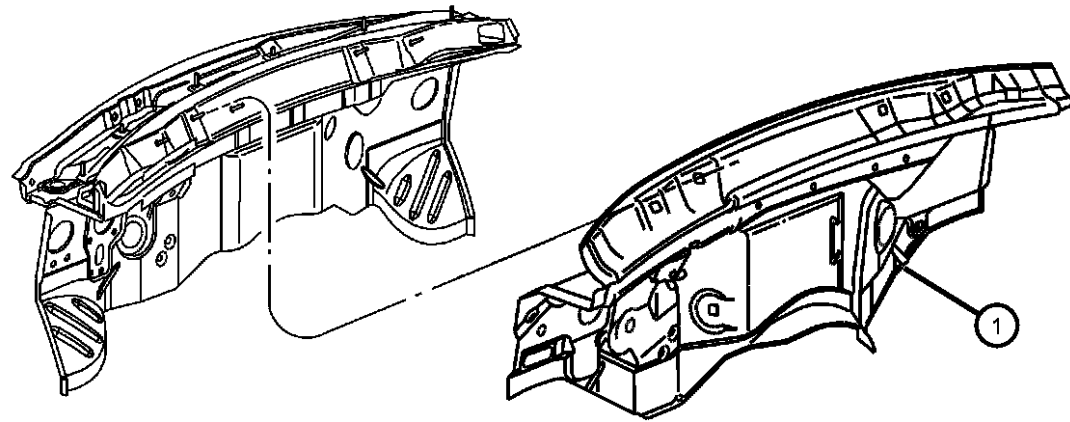
TRANSMISSION
DGK = TRANSMISSION - 4-SPD.
AUTOMATIC, 42RE
DGQ = TRANSMISSION-5SPD
AUTOMATIC 5-45RFE
DGO = ALL AUTOMATIC
TRANSMISSIONS

AR = use ase required - = Non illustrated part

2001 WJ

**Insulation, Dash And Cowl
Figure SWJ-620**

ITEM	PART NUMBER	QTY	LINE	SERIES	BODY	ENGINE	TRANS	TRIM	DESCRIPTION
1	55196892AA	1							INSULATION, Dash Panel
2	55196836AA	1							INSULATION, Dash Panel
3	06503274	3							NUT, Push On



GRAND CHEROKEE (WJ)

SERIES LINE
H = Laredo T = JEEP - 2WD
P = Limited J = JEEP - 4WD

BODY
74 = SPORT UTILITY 4-DR

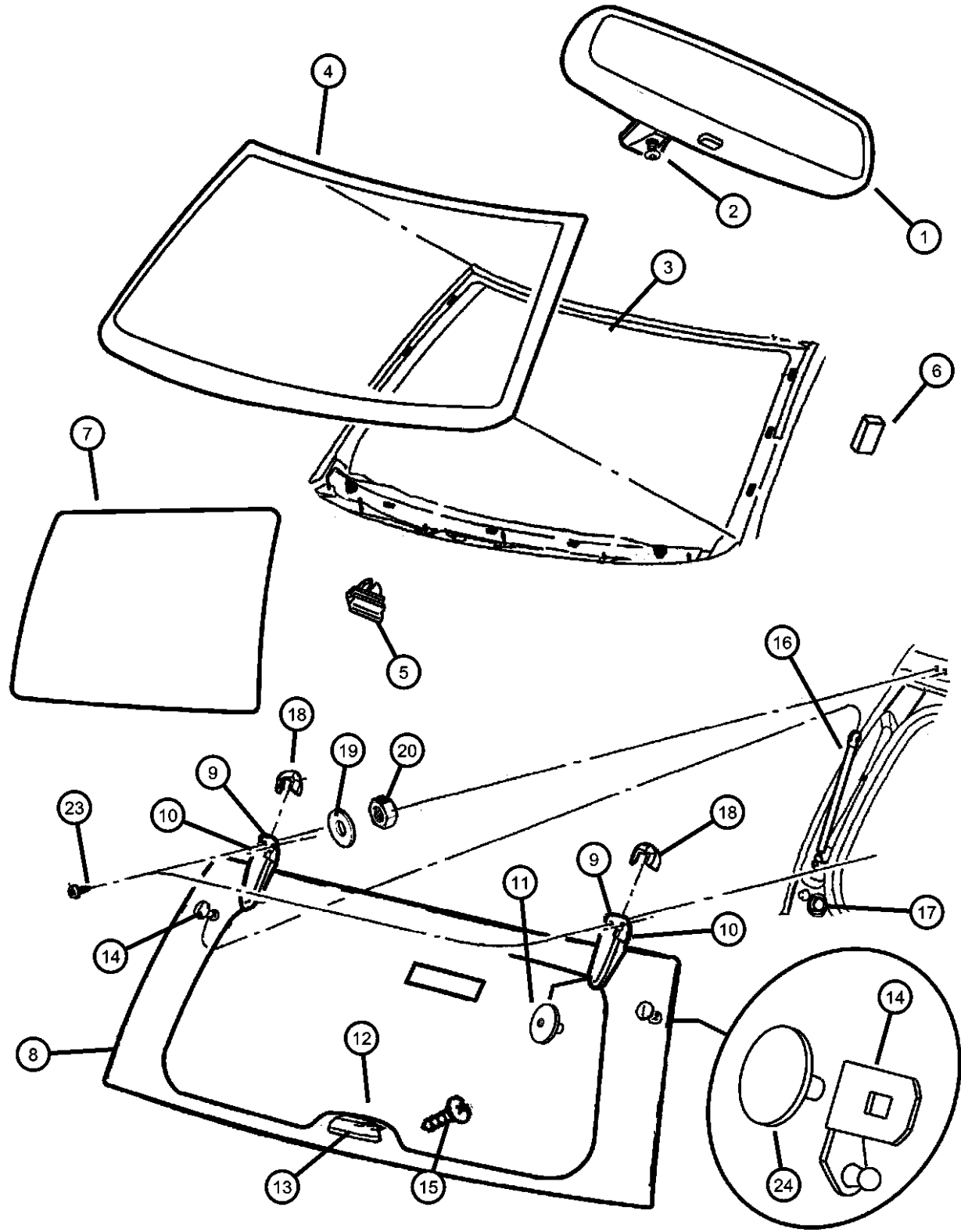
ENGINE
ERH = ENGINE - 4.0L
POWER TECH I-6
EVA = ENGINE- 4.7L V8 MPI

TRANSMISSION
DGK = TRANSMISSION - 4-SPD.
AUTOMATIC, 42RE
DGQ = TRANSMISSION-5SPD
AUTOMATIC 5-45RFE
DGO = ALL AUTOMATIC
TRANSMISSIONS

AR = use ase required - = Non illustrated part

2001 WJ

Glass, Windshield, Backlite, Quarter Window, Rear View Mirror
Figure SWJ-710



ITEM	PART NUMBER	QTY	LINE	SERIES	BODY	ENGINE	TRANS	TRIM	DESCRIPTION
1	04805332AB	1							MIRROR, Inside Rear View Prismatic
	55155380AB	1							Automatic
2	06031094	1							SCREW, Pan Head Tapping, .19-16x.375
3	55076401	1							BUTTON, Rear View Mirror
4	05017527AA	1							WINDSHIELD 25-Lite Pack
	55136054AC	1							
5	55028214	9							SPACER, Windshield
6	55275388AC	2							SPACER, Windshield
7	55135808AC	1							GLASS, Quarter Window Right
	55135809AC	1							Left
8	55136980AB	1							GLASS, Liftgate Flipper
9	05019418AA	1							HINGE, Liftglass Right
	05019419AA	1							Left
10	55075164	4							GASKET, Liftgate Hinge
11	06502900	2							SCREW, Special Head, M6x1x12.7, Hinge to Glass
12	55136045	1							GASKET, Liftgate Handle
13	55136048	1							HANDLE, Flipper Window
14	55136968AA	1							BALL STUD, Liftgate Glass Right
	55136969AA	1							Left
15	06035479	2							SCREW AND WASHER
16	55136965AA	2							GAS CYLINDER, Liftgate Glass
17	55136845AA	2							BUMPER, Liftgate Glass
18	04717486AB	1							COVER, Hinge Right
	04717487AB	1							Left
19	55295914	4							GASKET, Ball Stud
20	06504513	1							NUT AND WASHER, Hex Nut-Coned Washer, M6 x 1.00
-21	55136044	1							STRIKER, Liftgate Glass

GRAND CHEROKEE (WJ)

SERIES LINE
H = Laredo T = JEEP - 2WD
P = Limited J = JEEP - 4WD

BODY
74 = SPORT UTILITY 4-DR

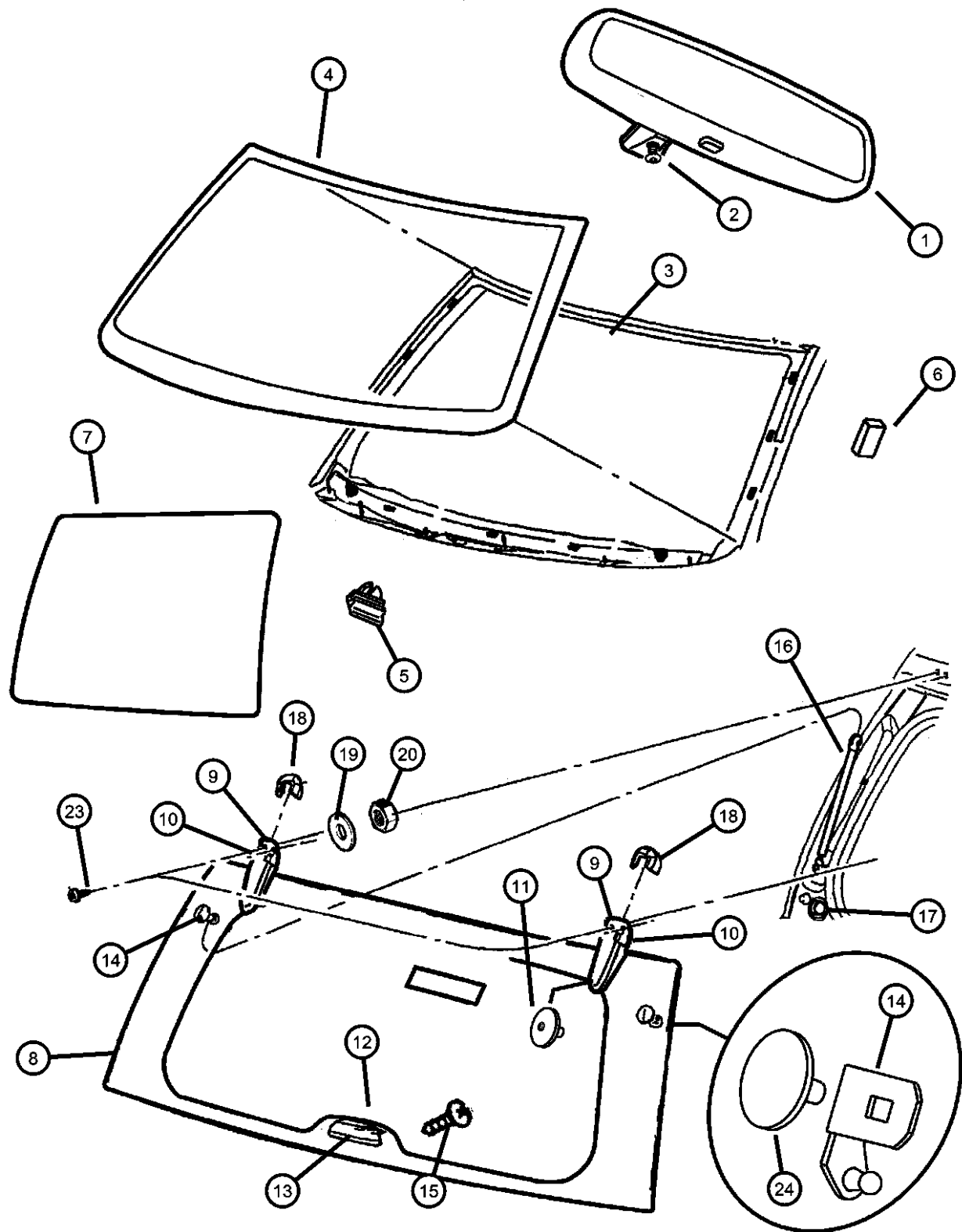
ENGINE
ERH = ENGINE - 4.0L
POWER TECH I-6
EVA = ENGINE- 4.7L V8 MPI

TRANSMISSION
DGK = TRANSMISSION - 4-SPD.
AUTOMATIC, 42RE
DGQ = TRANSMISSION-5SPD
AUTOMATIC 5-45RFE
DGO = ALL AUTOMATIC
TRANSMISSIONS

AR = use ase required - = Non illustrated part

2001 WJ

Glass, Windshield, Backlite, Quarter Window, Rear View Mirror
Figure SWJ-710



ITEM	PART NUMBER	QTY	LINE	SERIES	BODY	ENGINE	TRANS	TRIM	DESCRIPTION
-22	55076299	2							CAP, Lock Cylinder, Locks Prop Rod
23	06505440AA	4							SCREW
24	06506200AA	2							FASTENER

GRAND CHEROKEE (WJ)

SERIES LINE
H = Laredo T = JEEP - 2WD
P = Limited J = JEEP - 4WD

BODY
74 = SPORT UTILITY 4-DR

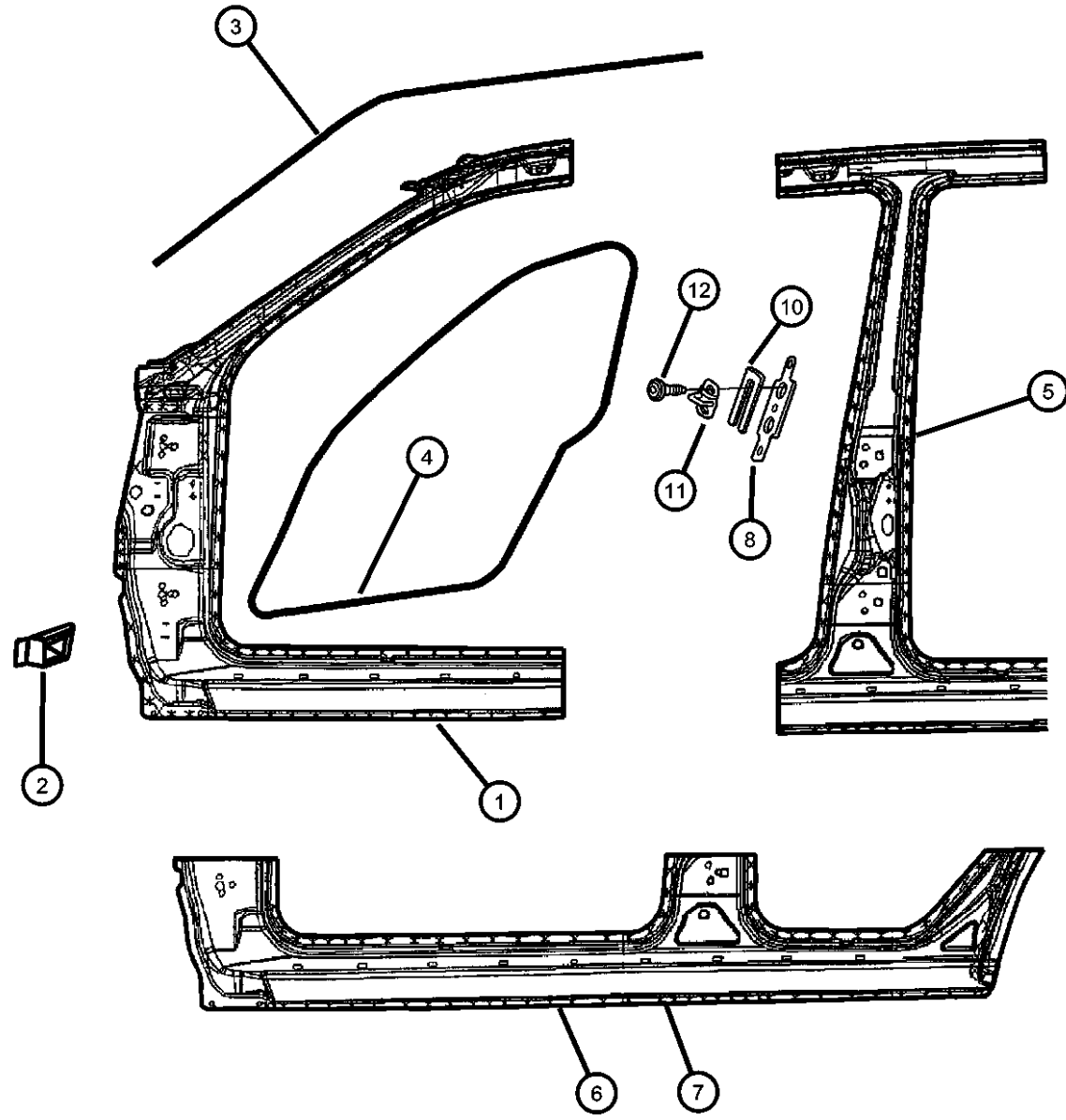
ENGINE
ERH = ENGINE - 4.0L
POWER TECH I-6
EVA = ENGINE- 4.7L V8 MPI

TRANSMISSION
DGK = TRANSMISSION - 4-SPD.
AUTOMATIC, 42RE
DGQ = TRANSMISSION-5SPD
AUTOMATIC 5-45RFE
DGO = ALL AUTOMATIC
TRANSMISSIONS

AR = use ase required - = Non illustrated part

2001 WJ

Panels, Body Side
Figure SWJ-810



ITEM	PART NUMBER	QTY	LINE	SERIES	BODY	ENGINE	TRANS	TRIM	DESCRIPTION
1	05013006AA	1							PANEL, Body Side Aperture Front Right
	05013007AA	1							Left
2	55136436AB	1							TAPPING PLATE, Door Hinge, Also serviced in Item #1 Right
	55136437AB	1							Left
3	55135869AB	1							SEAL, Body Side Upper, Right
	55135872AB	1							Upper, Left
4	55135918AC	1							SEAL, Front Door Right
	55135919AC	1							Left
5	05013008AB	1							PANEL, Body Side Aperture Center Right
	05013009AB	1							Left
6	05013062AB	1							SILL, Body Side, Complete Right
	05013063AB	1							Left
7	05017868AA	1							PANEL, Side Sill, Outer Only Right
	05017869AA	1							Left
8	55135503AB	2							TAPPING PLATE, Striker
-9	55363274AA	1							LABEL, Mercury Warning
10	04520289	AR							SPACER, Door Latch Striker
11	04780607AA	2							STRIKER, Door
12	06504573	4							SCREW, Oval Head, SCREW

GRAND CHEROKEE (WJ)

SERIES LINE
H = Laredo T = JEEP - 2WD
P = Limited J = JEEP - 4WD

BODY
74 = SPORT UTILITY 4-DR

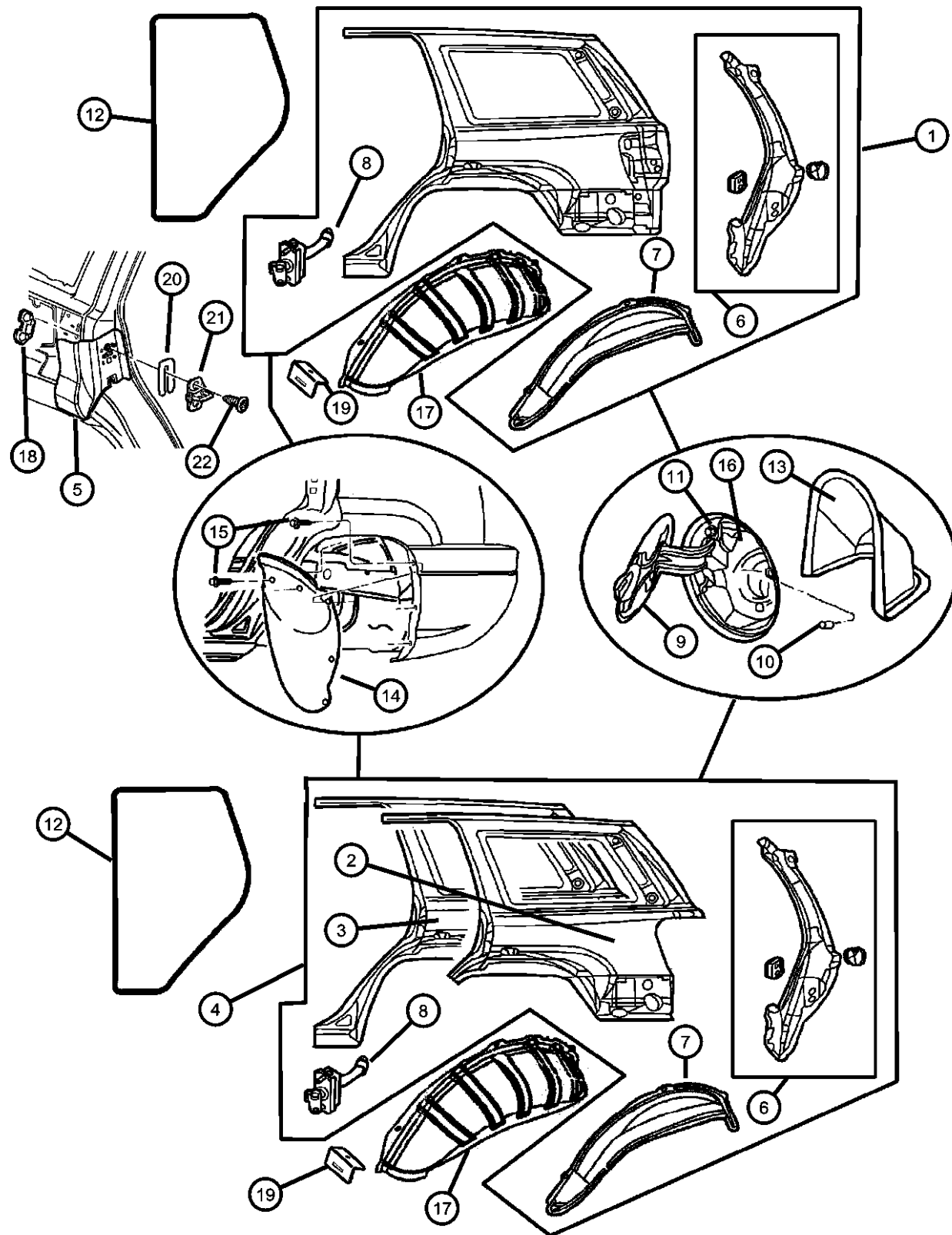
ENGINE
ERH = ENGINE - 4.0L
POWER TECH I-6
EVA = ENGINE- 4.7L V8 MPI

TRANSMISSION
DGK = TRANSMISSION - 4-SPD.
AUTOMATIC, 42RE
DGQ = TRANSMISSION-5SPD
AUTOMATIC 5-45RFE
DGO = ALL AUTOMATIC
TRANSMISSIONS

AR = use ase required - = Non illustrated part

2001 WJ

**Panels, Rear Quarter
Figure SWJ-910**



ITEM	PART NUMBER	QTY	LINE	SERIES	BODY	ENGINE	TRANS	TRIM	DESCRIPTION
The difference between item #1 and item #2 is the cut of the Quarter Panel. Item #1 contains part of the bottom sill.									
1									PANEL, Body Side Aperture Rear, Complete, Includes Taillamp Pocket Right
	05013058AB	1							
	05013059AB	1							[When part rules to 'AC' and above you will need to order Exhauster 55037458AB], Left
2									PANEL, Quarter, Outer Only, Without Dog Leg, Taillamp Pocket Right
	05017866AA	1							
	05017867AA	1							Left
3									PANEL, Quarter, Outer Only, With Dog Leg, Without Taillamp Pocket Right
	05017866AB	1							
	05017867AB	1							Left
4									PANEL, Quarter Corner, Includes Taillamp Pocket Right
	05013060AB	1							
	05013061AB	1							Left
5									REINFORCEMENT, Door Striker Right
	55135508AC	1							
	55135509AC	1							Left
6									TROUGH, Liftgate Opening Right
	55135428AC	1							
	55135429AC	1							Left
7									PANEL, Rear Wheelhouse Right
	55136546AB	1							
	55136547AB	1							Left
8									CHECK, Rear Door Right
	55135658AB	1							
	55135659AB	1							Left
9	55135514AB	1							DOOR, Fuel Fill
10	55135519AB	2							BUMPER, Fuel Door
11	06504946AA	2							SCREW, Hex Flange Head, M6x1.0x16.0
12									SEAL, Rear Door Right
	55135958AC	1							
	55135959AC	1							Left

GRAND CHEROKEE (WJ)

SERIES LINE
H = Laredo T = JEEP - 2WD
P = Limited J = JEEP - 4WD

BODY
74 = SPORT UTILITY 4-DR

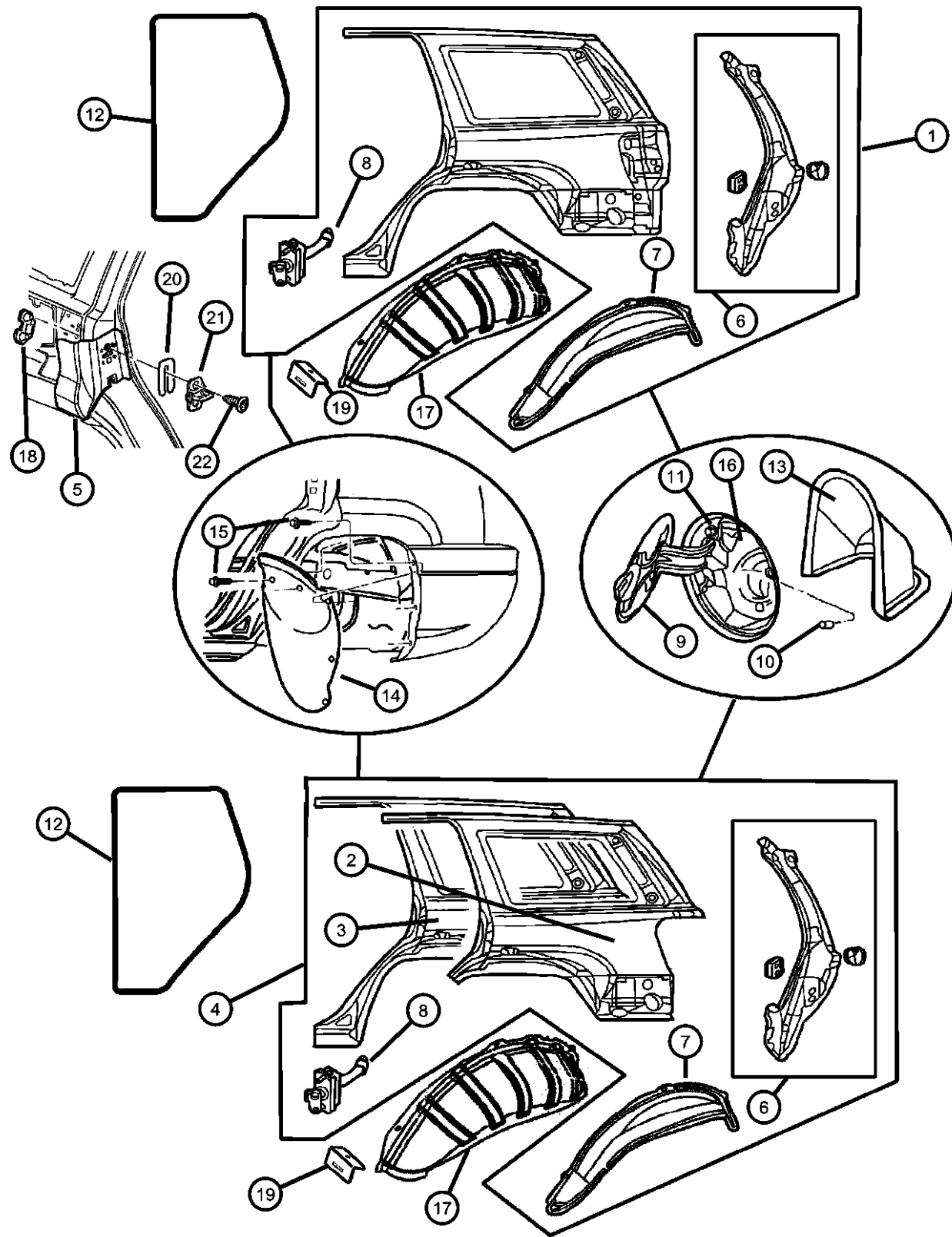
ENGINE
ERH = ENGINE - 4.0L
POWER TECH I-6
EVA = ENGINE- 4.7L V8 MPI

TRANSMISSION
DGK = TRANSMISSION - 4-SPD.
AUTOMATIC, 42RE
DQG = TRANSMISSION-5SPD
AUTOMATIC 5-45RFE
DGO = ALL AUTOMATIC
TRANSMISSIONS

AR = use ase required - = Non illustrated part

2001 WJ

Panels, Rear Quarter
Figure SWJ-910



ITEM	PART NUMBER	QTY	LINE	SERIES	BODY	ENGINE	TRANS	TRIM	DESCRIPTION
13									REINFORCEMENT, Fuel Filler Door
	55136178AB	1							Inner
	55136683AA	1							Outer
14									SHIELD, Splash
	55136500AD	1							Right
	55136501AD	1							Left
15	34201631	4							RIVET, M6.25x28 Black
16	55135511AB	1							HOUSING, Fuel Filler
17									WHEELHOUSE, Rear Inner
	55136996AA	1							Right
	55136997AA	1							Left
18	04674669	2							PLATE, Liftgate Striker
19	55136998AA	2							BRACKET, Wheel House, Trim Panel Attach
20									SPACER, Door Latch Striker
	04520289	AR							3.5 Thick
	55075483	AR							2.0 to 2.5 Thick
21	04780607AA	2							STRIKER, Door
22	06504573	4							SCREW, Oval Head, SCREW

GRAND CHEROKEE (WJ)

SERIES LINE
H = Laredo T = JEEP - 2WD
P = Limited J = JEEP - 4WD

BODY
74 = SPORT UTILITY 4-DR

ENGINE
ERH = ENGINE - 4.0L
POWER TECH I-6
EVA = ENGINE- 4.7L V8 MPI

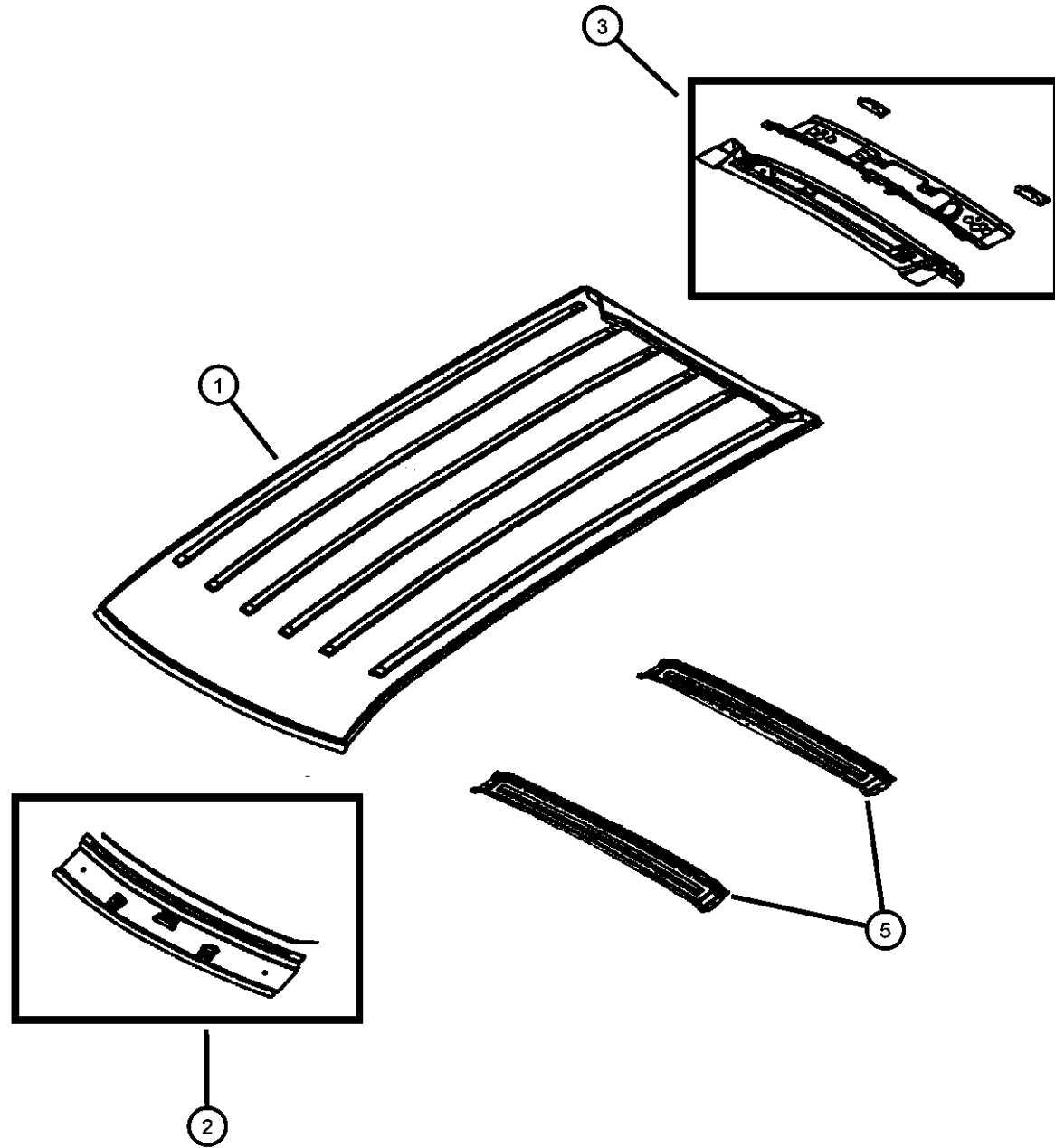
TRANSMISSION
DGK = TRANSMISSION - 4-SPD.
AUTOMATIC, 42RE
DGQ = TRANSMISSION-5SPD
AUTOMATIC 5-45RFE
DGO = ALL AUTOMATIC
TRANSMISSIONS

AR = use ase required - = Non illustrated part

2001 WJ

Panels, Roof
Figure SWJ-1110

ITEM	PART NUMBER	QTY	LINE	SERIES	BODY	ENGINE	TRANS	TRIM	DESCRIPTION
1	55135404AC	1							PANEL, Roof Without Sunroof
	55135461AC	1							With Sunroof
2	55135545AB	1							HEADER, Roof FrontFront
3	55135523AD	1							HEADER, PanelRear
-4	06034608	4							PIN, Headline Roof Bow Attach
		2							Front Header Attach
		2							Rear Header Attach
5	55135424AD	2							BOW, Roof



GRAND CHEROKEE (WJ)

SERIES LINE
H = Laredo T = JEEP - 2WD
P = Limited J = JEEP - 4WD

BODY
74 = SPORT UTILITY 4-DR

ENGINE
ERH = ENGINE - 4.0L
POWER TECH I-6
EVA = ENGINE- 4.7L V8 MPI

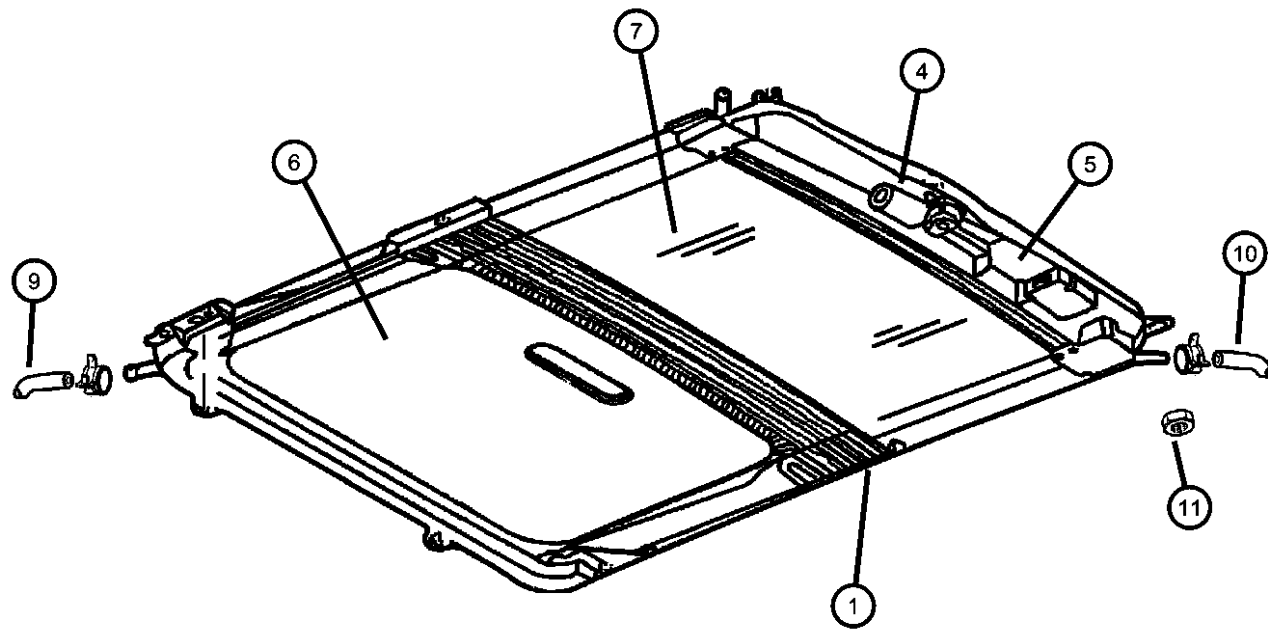
TRANSMISSION
DGK = TRANSMISSION - 4-SPD.
AUTOMATIC, 42RE
DGQ = TRANSMISSION-5SPD
AUTOMATIC 5-45RFE
DGO = ALL AUTOMATIC
TRANSMISSIONS

AR = use ase required - = Non illustrated part

2001 WJ

**Sunroof
Figure SWJ-1210**

ITEM	PART NUMBER	QTY	LINE	SERIES	BODY	ENGINE	TRANS	TRIM	DESCRIPTION
1	05012772AA	1							MODULE, Sunroof
-2	05012765AA	1							DEFLECTOR, Sunroof Wind
-3	05012769AA	1							CHANNEL, Sunroof Drain
4	05012768AA	1							MOTOR, Sunroof
5	05012771AB	1							CONTROL UNIT, Sunroof
6									SUNSHADE, Sunroof
	5EZ11TL2AB	1							[AZ, A2, L5]
	5EZ11XT5AB	1							[T5]
7	55135858AB	1							GLASS, Sunroof
-8	05012773AA	1							GUIDE, Sunroof Lid
9									HOSE, Sunroof Drain
	55136966AC	1							Front, Right
	55136967AD	1							Front, Left
10	55135851AE	2							HOSE, Sunroof DrainRear
11	06503504	2							NUT AND WASHER, Hex, M6x1
-12	04814215	1							GROMMET, Tube, Sunroof Drain
-13	06502843	9							NUT AND WASHER, Hex Nut-Coned Washer, M6 x 1.00, Sunroof to Roof Reinforcement Attach
-14	04805378AB	2							CLIP, Tube, Sunroof Drain Hose Attach



GRAND CHEROKEE (WJ)

SERIES LINE
H = Laredo T = JEEP - 2WD
P = Limited J = JEEP - 4WD

BODY
74 = SPORT UTILITY 4-DR

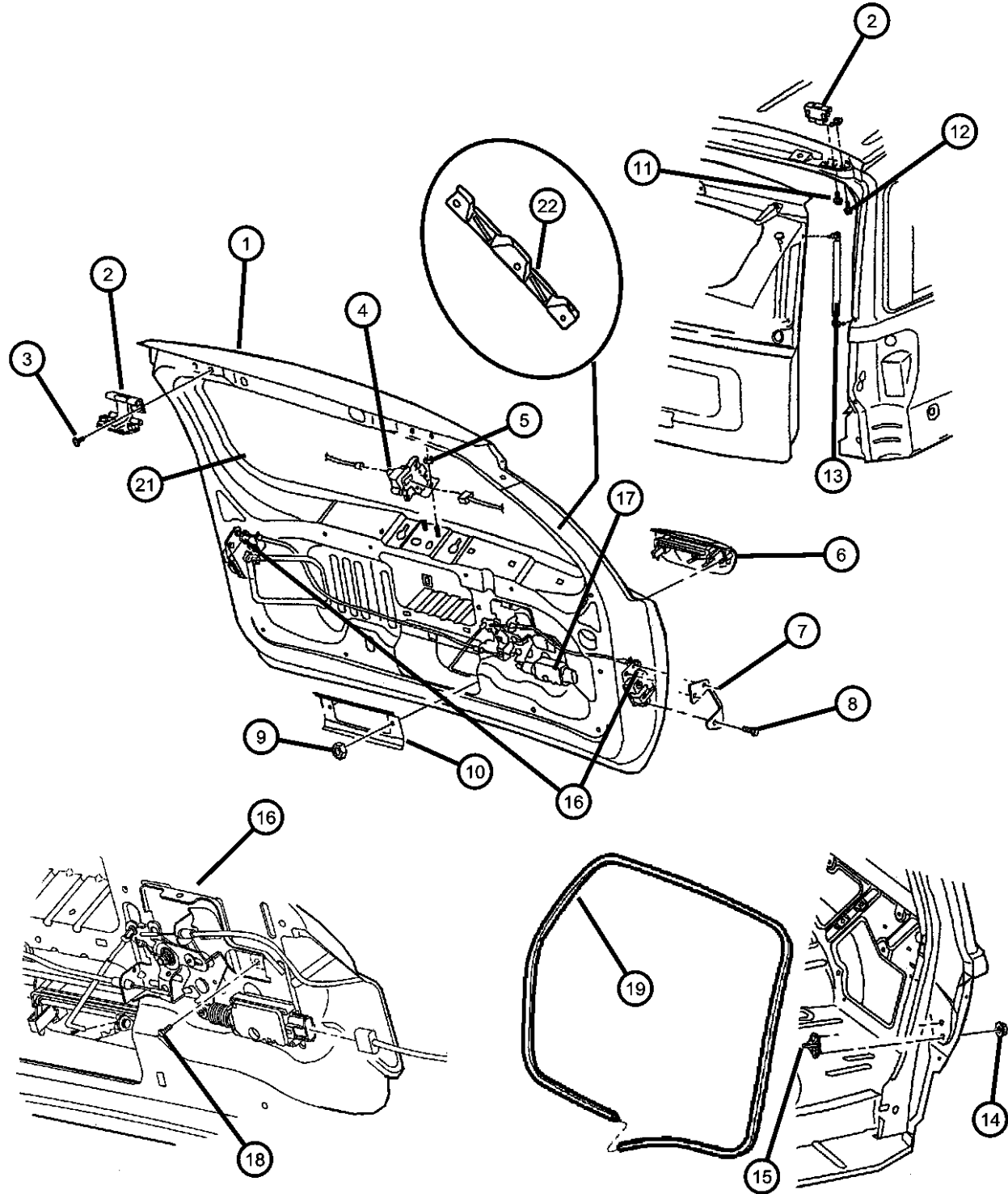
ENGINE
ERH = ENGINE - 4.0L
POWER TECH I-6
EVA = ENGINE- 4.7L V8 MPI

TRANSMISSION
DGK = TRANSMISSION - 4-SPD.
AUTOMATIC, 42RE
DGQ = TRANSMISSION-5SPD
AUTOMATIC 5-45RFE
DGO = ALL AUTOMATIC
TRANSMISSIONS

AR = use ase required - = Non illustrated part

2001 WJ

Liftgate, Latch and Hinges
Figure SWJ-1310



ITEM	PART NUMBER	QTY	LINE	SERIES	BODY	ENGINE	TRANS	TRIM	DESCRIPTION
	[ARN]= Laredo								
	[ARP]= Limited								
1	55256177AC	1							PANEL, Liftgate
2	55257015AB	2							HINGE, Liftgate
3	55257015AB	2							SCREW AND WASHER, Hex Head, M8-1.25x30, (NOT SERVICED)
4	55136740AA	1							LATCH, Liftgate Glass
5	06503102	2							NUT AND WASHER, Hex Nut-Coned Washer, M6 x 1.00
6									HANDLE, Liftgate
	5GD47DX8AB	1							[X8], Limited
	5GD47PR4AB	1							[R4], Limited
	5GD47SW1AB	1							[W1], Limited
	5GD47WBTAB	1							[BT], Limited
		1							[BT], Laredo
	5GD47WTHAB	1							[TH], Limited
		1							[TH], Laredo
	5GD47WU-LAB	1							[UL], Limited
		1							[UL], Laredo
	55136699AB	1							Black, Laredo
	5GD47XGRAB	1							[GR], Limited
		1							[GR], Laredo
	5GD47XS5AB	1							[S5], Limited
		1							[S5], Laredo
	5GD47YUBAB	1							[UB], Limited
		1							[UB], Laredo
	5GD47XBQAB	1							[BQ], Limited
		1							[BQ], Laredo
7									PLATE, Liftgate Latch
	55136910AB	1							Right
	55136911AB	1							Left
8	06503259	6							SCREW, Tapping, M6x1x20
9	06505316AA	2							NUT
10	55136696AB	1							BRACKET, Outside Door Handle

GRAND CHEROKEE (WJ)

SERIES LINE
H = Laredo T = JEEP - 2WD
P = Limited J = JEEP - 4WD

BODY
74 = SPORT UTILITY 4-DR

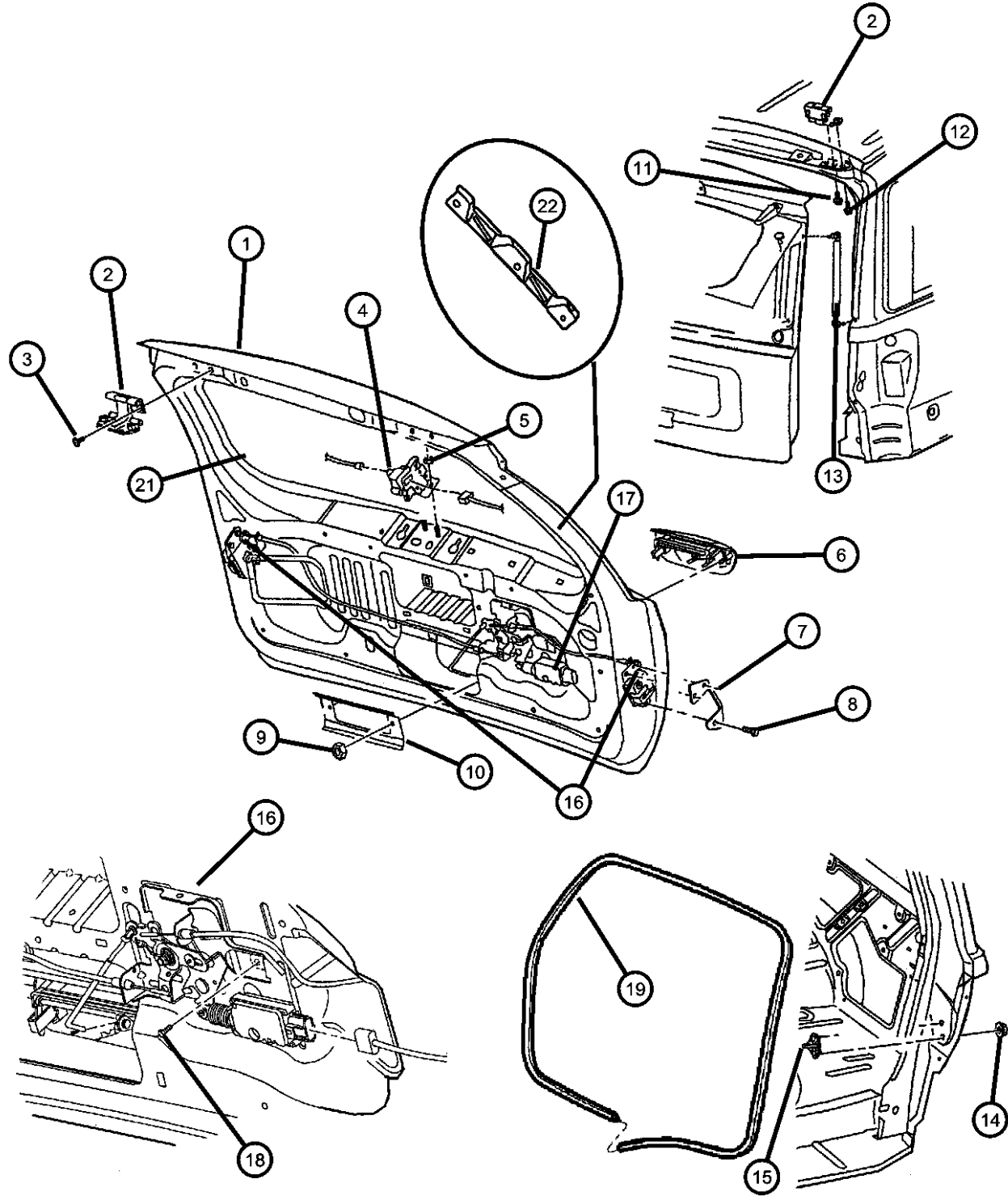
ENGINE
ERH = ENGINE - 4.0L
POWER TECH I-6
EVA = ENGINE- 4.7L V8 MPI

TRANSMISSION
DGK = TRANSMISSION - 4-SPD.
AUTOMATIC, 42RE
DQG = TRANSMISSION-5SPD
AUTOMATIC 5-45RFE
DGO = ALL AUTOMATIC
TRANSMISSIONS

AR = use ase required - = Non illustrated part

2001 WJ

Liftgate, Latch and Hinges
Figure SWJ-1310



ITEM	PART NUMBER	QTY	LINE	SERIES	BODY	ENGINE	TRANS	TRIM	DESCRIPTION
11	06505337AA	2							SCREW AND WASHER, Hex Head
12	06507002AA	4							SCREW AND WASHER, Hex Head, M8x1.25x25
13									SUPPORT, Liftgate Strut
	55137023AB	1							Left
	55137022AB	1							Right
14	06503533	4							SCREW, Flange Head, M8x1.25x26
15									STRIKER, Liftgate
	55136912AB	1							Right
	55136913AB	1							Left
16	55136742AC	1							LATCH, Liftgate, Includes Center, Left & Right
17	05018479AA	1							ACTUATOR, Decklid Lock
18	06501979	1							SCREW AND WASHER, Hex Head, M6x1x17
19	55135388AB	1							SEAL, Liftgate
-20	06505435AA	4							NUT, Plastic, License Plate Ataching
21	55136053AD	1							WEATHERSTRIP, Liftgate Glass
22									BRACKET, Liftgate
	55136655AB	1							Left
	55136654AA	1							Right

GRAND CHEROKEE (WJ)

SERIES LINE
H = Laredo T = JEEP - 2WD
P = Limited J = JEEP - 4WD

BODY
74 = SPORT UTILITY 4-DR

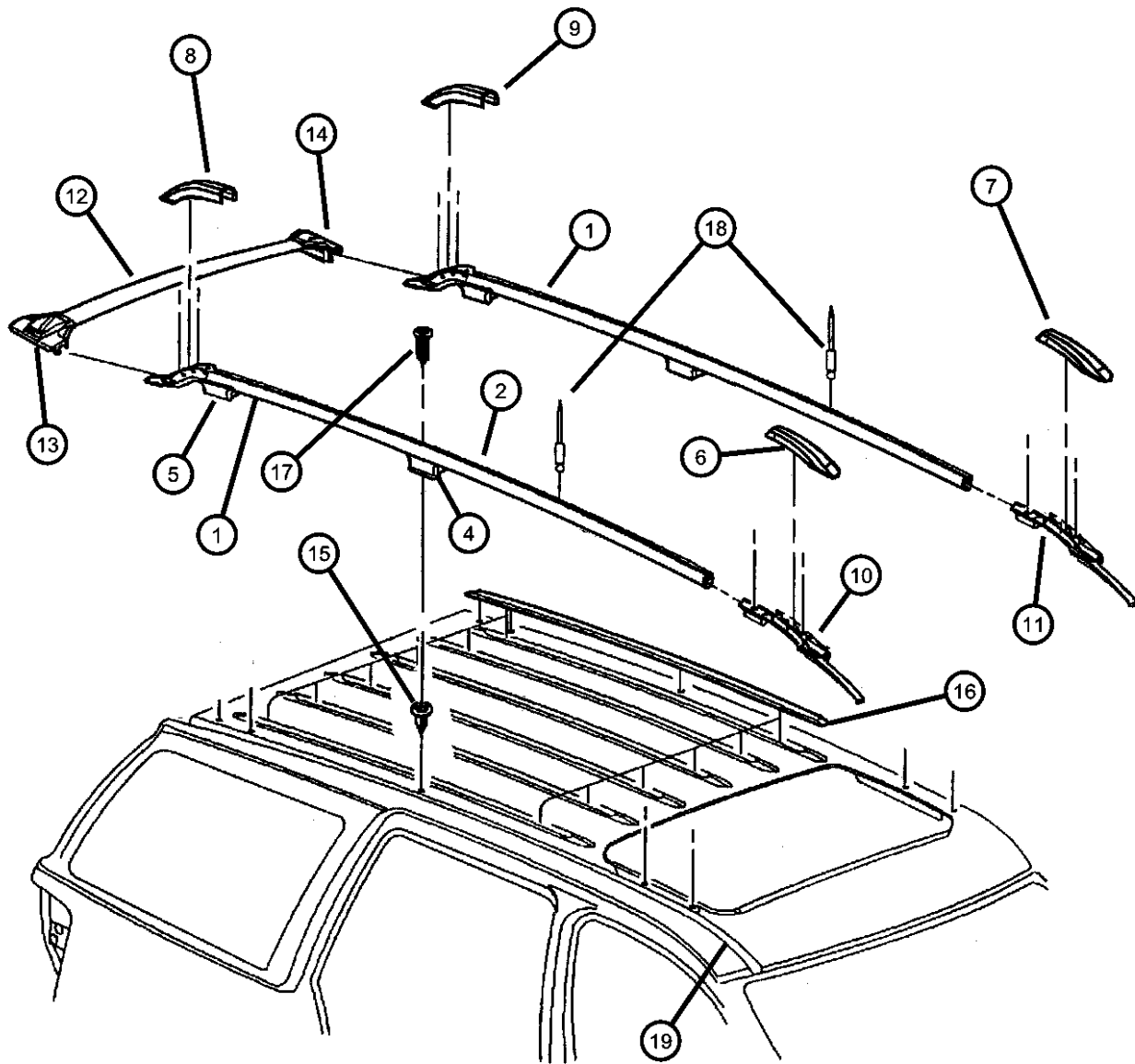
ENGINE
ERH = ENGINE - 4.0L POWER TECH I-6
EVA = ENGINE- 4.7L V8 MPI

TRANSMISSION
DGK = TRANSMISSION - 4-SPD. AUTOMATIC, 42RE
DQG = TRANSMISSION-5SPD AUTOMATIC 5-45RFE
DGO = ALL AUTOMATIC TRANSMISSIONS

AR = use ase required - = Non illustrated part

2001 WJ

**Roof Rack
Figure SWJ-1610**



ITEM	PART NUMBER	QTY	LINE	SERIES	BODY	ENGINE	TRANS	TRIM	DESCRIPTION
1	55136848AB	1							RAIL, Luggage Rack Side Right
	55136849AB	1							Left
2	55136838AA	1							SPACER Right
	55136839AA	1							Left
-3	55363383AA	1							GASKET
4	55136854AA	1							SUPPORT, Luggage Rack Right, Center
	55136855AA	1							Left, Center
5	55136836AA	1							SUPPORT, Roof Rack Right, Rear
	55136837AA	1							Left, Rear
6	55135970AB	1							CAP, Side RailFront, Right
7	55135971AB	1							Left
8	55136576AA	1							CAP, Side RailRear, Right
9	55136577AA	1							Left
10	55136952AC	1							SUPPORT, Roof RackFront, Right
11	55136953AC	1							Left
12	05017213AA	2							CROSS RAIL, Roof Rack
13	55136850AA	2							STANCHION, LUGG RACK CROSS RAILRight
14	55136851AA	2							STANCHION, LUGG RACK CROSS RAILLeft
15	06506104AA	10							NUT
16	55135987AB	6							SKID STRIP, Roof Rack
17	06506455AA	8							SCREW, Pan Head
18	06506455AA	8							RIVET, [.125x.283], (NOT SERVICED)
19	55136526AC	2							MOLDING, Roof Joint

GRAND CHEROKEE (WJ)

SERIES LINE
H = Laredo T = JEEP - 2WD
P = Limited J = JEEP - 4WD

BODY
74 = SPORT UTILITY 4-DR

ENGINE
ERH = ENGINE - 4.0L
POWER TECH I-6
EVA = ENGINE- 4.7L V8 MPI

TRANSMISSION
DGK = TRANSMISSION - 4-SPD.
AUTOMATIC, 42RE
DGQ = TRANSMISSION-5SPD
AUTOMATIC 5-45RFE
DGO = ALL AUTOMATIC
TRANSMISSIONS

AR = use ase required - = Non illustrated part

2001 WJ